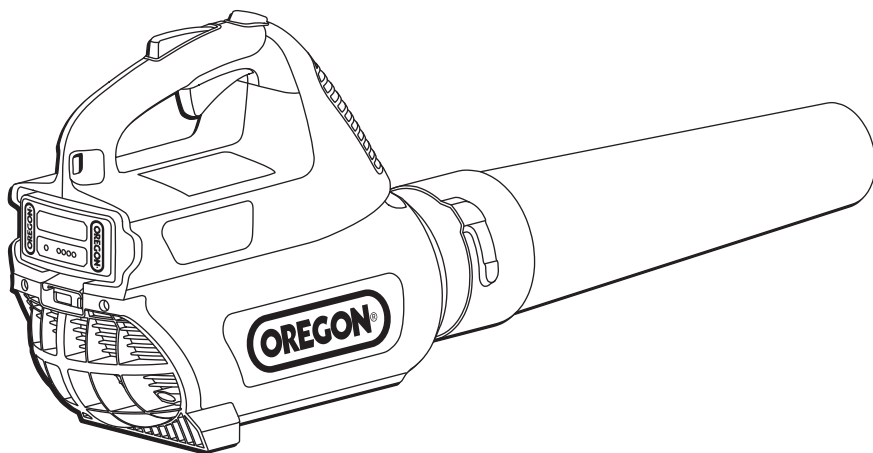




Cordless Tool System



**ORIGINAL INSTRUCTION MANUAL
BLOWER MODEL BL300**

**MANUEL D'INSTRUCTIONS ORIGINAL
SOUFFLEUR, MODÈLE BL300**

**MANUAL ORIGINAL DE INSTRUCCIONES
SOPLADOR MODELO BL300**

**MANUAL DE INSTRUÇÕES ORIGINAL
SOPRADOR MODELO BL300**





ENGLISH. 2

⚠ WARNING: READ AND UNDERSTAND ALL SAFETY WARNINGS AND ALL INSTRUCTIONS. FAILURE TO FOLLOW THE WARNINGS AND INSTRUCTIONS MAY RESULT IN ELECTRIC SHOCK, FIRE AND/OR SERIOUS INJURY. SAVE ALL WARNINGS AND INSTRUCTIONS FOR FUTURE REFERENCE.

This instruction manual contains translations of a manual drafted in English and are provided to assist those who do not speak English as their first language. Being a technical writing, some terms may not have a like or equivalent meaning as translated. Therefore, you should not rely on this translation, and should cross-reference the English version, where relying on the translated instructions could result in harm to your person or property.

FRANÇAIS. 26

⚠ AVERTISSEMENT: VEUILLEZ LIRE ET COMPRENDRE TOUS LES AVERTISSEMENTS DE SÉCURITÉ ET TOUTES LES INSTRUCTIONS. LE NON-RESPECT DES AVERTISSEMENTS DE SÉCURITÉ ET DES INSTRUCTIONS PEUT ENTRAÎNER UNE DÉCHARGE ÉLECTRIQUE, UN INCENDIE ET/OU DES BLESSURES GRAVES. CONSERVEZ L'ENSEMBLE DES AVERTISSEMENTS ET INSTRUCTIONS POUR RÉFÉRENCE ULTÉRIEURE.

Ce manuel d'instructions est une traduction d'un manuel rédigé en anglais, fournie pour aider ceux dont l'anglais n'est pas la langue maternelle. Étant donné qu'il s'agit d'un document technique, certains termes peuvent ne pas avoir de signification similaire ou équivalente lorsqu'ils sont traduits. Par conséquent, vous ne devez pas vous fier à cette traduction et devriez consulter la version anglaise également, au cas où les instructions traduites pourraient provoquer des blessures ou des dommages matériels.

ESPAÑOL 50

⚠ ADVERTENCIA: LEA Y COMPRENDA TODAS LAS ADVERTENCIAS DE SEGURIDAD Y LAS INSTRUCCIONES. NO SEGUIR ESTAS ADVERTENCIAS E INSTRUCCIONES PODRÍA OCASIONAR UNA DESCARGA ELÉCTRICA, UN INCENDIO Y/O LESIONES GRAVES. GUARDE TODAS LAS ADVERTENCIAS E INSTRUCCIONES PARA FUTURA REFERENCIA.

Este manual de instrucciones contiene traducciones de un manual redactado en inglés y se provee para ayudar a aquellas personas que no hablan inglés como su primer idioma. Dado que el manual es un documento técnico, es posible que algunos términos no tengan un significado similar o equivalente al traducirlos. Por lo tanto, no debe confiar en esta traducción y debe consultar la versión en inglés en los casos en que confiar en las instrucciones traducidas podría provocar lesiones personales o daños materiales.

PORTUGUÊS 74

⚠ ADVERTÊNCIA: LEIA E ENTENDA TODAS AS ADVERTÊNCIAS E INSTRUÇÕES DE SEGURANÇA. A FALHA EM SEGUIR TODAS AS ADVERTÊNCIAS E INSTRUÇÕES PODE RESULTAR EM CHOQUE ELÉTRICO, INCÊNDIO E/OU LESÃO PESSOAL SÉRIA. PRESERVE TODAS AS ADVERTÊNCIAS E INSTRUÇÕES PARA CONSULTA FUTURA.

Este manual de instruções contém traduções de um manual escrito em inglês, e tem a finalidade de ajudar quem não fala inglês como idioma nativo. Como se trata de escrita técnica, alguns termos podem não ter um significado semelhante ou equivalente quando traduzidos. Portanto, não confie unicamente nesta tradução. Consulte a versão em inglês quando confiar na tradução em português puder resultar em danos pessoais ou à propriedade.

TABLE OF CONTENTS

SYMBOLS AND LABELS 3

BLOWER NAMES AND TERMS 4

PRODUCT IDENTIFICATION 5

SAFETY RULES 6

 SAFETY SIGNAL DEFINITIONS 6

 GENERAL POWER TOOL SAFETY WARNINGS 6

 WORK AREA SAFETY 7

 ELECTRICAL SAFETY 7

 PERSONAL SAFETY 7

 POWER TOOL USE AND CARE 7

 BATTERY TOOL USE AND CARE 8

 SERVICE 8

 BLOWER SAFETY WARNINGS 8

 STORAGE, TRANSPORTING AND DISPOSAL 9

 BATTERY SAFETY 10

 CHARGER SAFETY 11

UNPACKING AND ASSEMBLY 12

OPERATING THE BLOWER 13

 BATTERY PACK AND CHARGER 13

 GENERAL OPERATION 15

 OPERATING THE BLOWER 17

MAINTENANCE AND CLEANING 19

 INSPECTION 19

 CLEANING 19

 BATTERY PACK 20

 CHARGER 20

















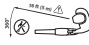



TROUBLESHOOTING 21

SPECIFICATIONS AND COMPONENTS 23

WARRANTY AND SERVICE 24

SYMBOLS AND LABELS

These symbols and labels appear on the blower and/or in this manual.

SYMBOL	NAME	EXPLANATION
	CLASS II CONSTRUCTION	DESIGNATED DOUBLE INSULATED CONSTRUCTION TOOLS.
	SAFETY ALERT SYMBOL	INDICATES THAT THE TEXT THAT FOLLOWS EXPLAINS A DANGER, WARNING OR CAUTION.
	READ INSTRUCTIONS	THE ORIGINAL INSTRUCTION MANUAL CONTAINS IMPORTANT SAFETY AND OPERATING INFORMATION. READ AND FOLLOW THE INSTRUCTIONS CAREFULLY.
	WEAR EYE PROTECTION	WEAR EYE PROTECTION THAT MEETS THE STANDARDS OF ANSI Z 87.1 (OR YOUR APPROPRIATE NATIONAL STANDARD) WHEN OPERATING THE BLOWER.
	WEAR HEARING PROTECTION	OREGON® RECOMMENDS WEARING HEARING PROTECTION WHEN OPERATING THE BLOWER.
	WEAR LONG PANTS	WEAR LONG PANTS WHEN OPERATING THE BLOWER.
	WEAR FOOT PROTECTION	WEAR APPROPRIATE CLOSED-TOE WORK BOOTS WHEN OPERATING THE BLOWER.
	SOUND PRESSURE	GUARANTEED SOUND PRESSURE LEVEL
	DO NOT USE A LADDER	NEVER STAND ON A LADDER WHEN USING THE BLOWER.
	DO NOT INCINERATE	DO NOT DISPOSE IN FLAMES.
	DO NOT DISPOSE	DO NOT THROW IN HOUSEHOLD WASTE. TAKE TO AN AUTHORIZED RECYCLER.
	DO NOT EXPOSE TO RAIN	DO NOT OPERATE THE CHARGER IN WET CONDITIONS.
	INDOOR USE ONLY	CHARGER INTENDED FOR INDOOR USE ONLY.
	OPERATING TEMPERATURE	ONLY USE THE BATTERY PACK AT A TEMPERATURE BETWEEN 32°F TO 104°F (0°C AND 40°C).
	REMOVE BATTERY	REMOVE THE BATTERY BEFORE PERFORMING ANY MAINTENANCE.
	REMOVE BATTERY PRIOR TO TRANSPORT	REMOVE THE BATTERY PACK FROM THE BLOWER PRIOR TO STORAGE, TRANSPORTATION OR DISPOSAL.
	BYSTANDER SAFETY ZONE	ESTABLISH A BYSTANDER SAFETY ZONE OF 16 FT (5 M) AROUND THE OPERATOR.
	ENTANGLEMENT HAZARD	KEEP HAIR, LOOSE CLOTHING, FINGERS AND ALL PARTS OF BODY AWAY FROM OPENINGS.
	THROWN OBJECT HAZARD	DO NOT POINT TOWARD PEOPLE OR ANIMALS WHEN OPERATING.
	ROTATING BLOWER FAN	DO NOT INSERT FINGERS INTO BLOWER AND DO NOT OPERATE IF INTAKE SCREEN IS DAMAGED.

BLOWER NAMES AND TERMS

Air intake: The vent on the rear of the blower through which air is pulled by the blower fan.

Alignment lugs: The protrusions on the blower tube to which the nozzle is mounted.

Alignment slots: The notches on the nozzle that fit over the lugs when attaching the nozzle to the blower tube.

Blower fan: The rotating part inside the blower that moves the air.

Blower tube: The round protrusion on the front of the blower to which the nozzle is attached.

Bystander safety zone: A 16 ft (5 m) circle around the operator that must remain free from bystanders, children and pets.

Electronics cooling vent: The port on the front of the handle that allows cooling airflow over the internal electronic circuitry.

Handle: The portion of the blower gripped by the operator incorporating the variable trigger, trigger lock-out, and turbo button.

Harness: A safety device worn by the operator and connected to the blower that helps distribute the weight of the blower.

Harness attachment loops: Points on the blower to which a harness may be attached.

Intake screen: The covering on the air intake that helps prevent objects or digits from being drawn into the blower fan.

Nozzle: The long cylindrical part fitted to the blower tube to direct the blower air.

Trigger lock-out: A movable stop that prevents the unintentional operation of the variable trigger until manually actuated.

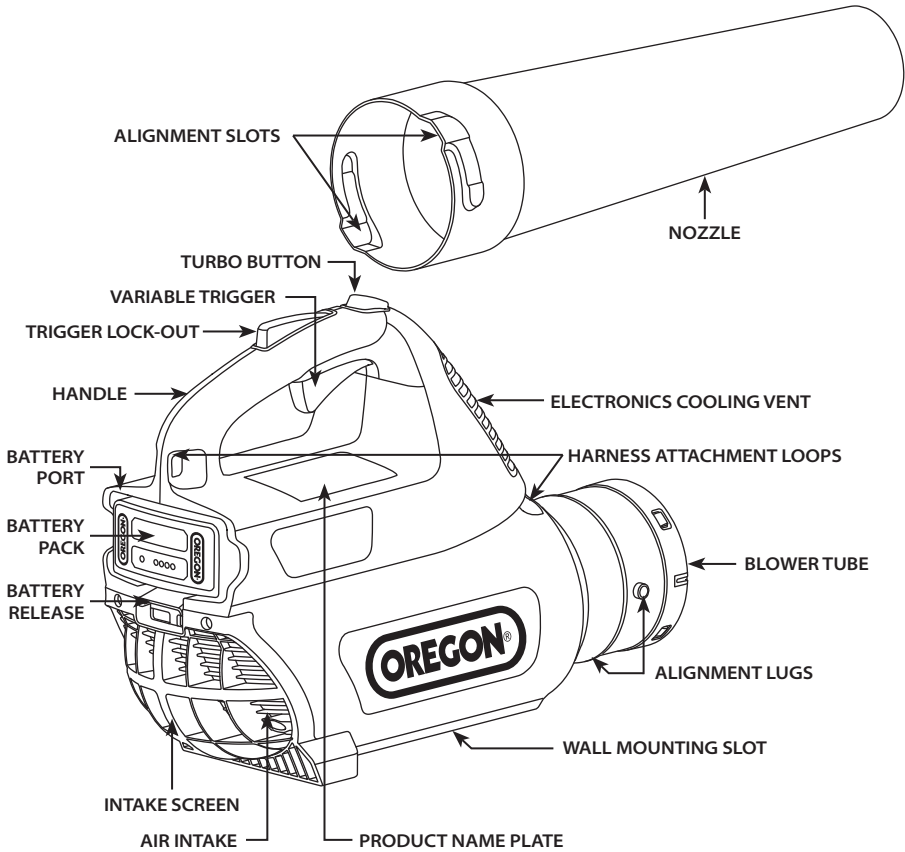
Turbo: Extra power applied to the blower motor by pressing the turbo button (turbo function is not available with a B500S 1.25Ah battery).

Variable trigger: A device that turns the blower on or off and allows the user to adjust the speed of the blower. Firmer pressure on the trigger will increase the airflow from the nozzle.

Wall mounting slot: The notch on the bottom of the blower that can be used to hang the tool during storage.

PRODUCT IDENTIFICATION

KNOW THE BLOWER





NOTE: See "Unpacking and Assembly" for a list of included items.

INTRODUCTION

This blower is designed for clearing light debris such as grass clippings, leaves, twigs, paper and dust from flat surfaces. This tool is intended for household use only. Other uses may increase the possibility of hazardous thrown objects. Read and follow these instructions to minimize risk and maximize satisfaction.

SAFETY RULES

SAFETY SIGNAL DEFINITIONS

SYMBOL	SIGNAL	MEANING
	WARNING	INDICATES A POTENTIAL HAZARD WHICH COULD RESULT IN SERIOUS INJURY.
	CAUTION	INDICATES A POTENTIAL HAZARD WHICH COULD SERIOUSLY DAMAGE THE TOOL OR CAUSE MINOR TO MODERATE INJURY.
	IMPORTANT	FOLLOWING THIS INSTRUCTION WILL INCREASE SATISFACTION WITH THE TOOL.

GENERAL POWER TOOL SAFETY WARNINGS

⚠ WARNING: READ AND UNDERSTAND ALL SAFETY WARNINGS AND ALL INSTRUCTIONS. FAILURE TO FOLLOW THE WARNINGS AND INSTRUCTIONS MAY RESULT IN ELECTRIC SHOCK, FIRE AND/OR SERIOUS INJURY.

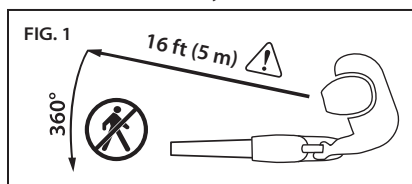


⚠ WARNING: THIS POWER TOOL IS NOT INTENDED FOR USE BY PERSONS (INCLUDING CHILDREN) WITH REDUCED PHYSICAL, SENSORY OR MENTAL CAPABILITIES, OR LACK OF EXPERIENCE AND KNOWLEDGE, UNLESS THEY HAVE BEEN GIVEN SUPERVISION OR INSTRUCTION CONCERNING THE USE OF THE APPLIANCE BY A PERSON RESPONSIBLE FOR THEIR SAFETY. CHILDREN SHOULD BE SUPERVISED TO ENSURE THAT THEY DO NOT PLAY WITH THE APPLIANCE.

SAVE ALL WARNINGS AND INSTRUCTIONS FOR FUTURE REFERENCE. THE TERM "POWER TOOL" IN THE WARNINGS REFERS TO YOUR MAINS-OPERATED (CORDED) POWER TOOL OR BATTERY OPERATED (CORDLESS) POWER TOOL.

WORK AREA SAFETY

- **Keep work area clean and well lit.** *Cluttered or dark areas invite accidents.*
- **Do not operate power tools in explosive atmospheres, such as in the presence of flammable liquids, gases or dust.** *Power tools create sparks which may ignite the dust or fumes.*
- **Keep children and bystanders away while operating a power tool (Fig. 1).** *Distractions can cause you to lose control.*



⚠ CAUTION: ESTABLISH A BYSTANDER SAFETY ZONE OF 16 FT (5 M) PRIOR TO OPERATION OF THIS EQUIPMENT.

Bystander safety zone is a 16 ft (5 m) circle around the operator that must remain free from bystanders, children and pets.

ELECTRICAL SAFETY

- **Charger plugs must match the outlet. Never modify the plug in any way.** *Unmodified plugs and matching outlets will reduce risk of electric shock.*
- **Do not expose the charger to rain or wet conditions.** *Water entering the charger will increase the risk of electric shock.*
- **Do not abuse the cord. Never use the cord for carrying, pulling or unplugging the charger. Keep cord away from heat, oil, sharp edges or moving parts.** *Damaged or entangled cords increase the risk of electric shock.*

PERSONAL SAFETY

- **Stay alert, watch what you are doing and use common sense when operating a power tool. Do not use a power tool while you are tired or under the influence of drugs, alcohol or medication.** *A moment of inattention while operating power tools may result in serious personal injury.*

- **Use personal protective equipment. Always wear eye protection.** *Protective equipment such as dust mask, non-skid safety shoes, long pants or hearing protection used for appropriate conditions will reduce personal injuries.*
- **Prevent unintentional starting. Ensure your finger is not on the variable trigger before inserting battery pack, picking up or carrying the tool.** *Carrying power tools with your finger on the switch or energizing power tools that have the switch on invites accidents.*
- **Dress properly. Do not wear loose clothing or jewelry. Keep your hair, clothing and gloves away from moving parts.** *Loose clothes, jewelry or long hair can be caught in moving parts.*

POWER TOOL USE AND CARE

- **Do not force the power tool. Use the correct power tool for your application.** *The correct power tool will do the job better and safer at the rate for which it was designed.*
- **Do not use the power tool if the variable trigger does not turn it on and off.** *Any power tool that cannot be controlled with the switch is dangerous and must be repaired.*
- **Disconnect the battery pack from the power tool before making any adjustments, changing accessories or storing power tools.** *Such preventive safety measures reduce the risk of starting the power tool accidentally.*
- **Store idle power tools out of the reach of children and do not allow persons unfamiliar with the power tool or these instructions to operate the power tool.** *Power tools are dangerous in the hands of untrained users.*
- **Maintain power tools. Check for misalignment or binding of moving parts, breakage of parts and any other condition that may affect the power tool's operation. If damaged, have the power tool repaired before use. See "Inspection" in this manual. Many accidents are caused by poorly maintained power tools.**

- Use the power tool, accessories and tool bits etc. in accordance with these instructions, taking into account the working conditions and the work to be performed. Use of the power tool for operations different from those intended could result in a hazardous situation.

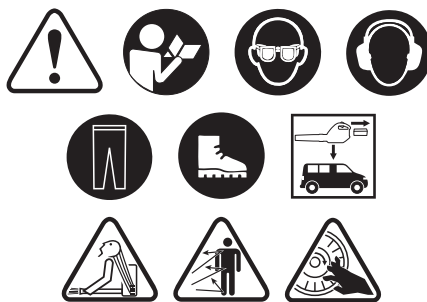
BATTERY TOOL USE AND CARE

- Recharge only with the charger specified by the manufacturer. A charger that is suitable for one type of battery pack may create a risk of fire when used with another battery pack.
- Use power tools only with specifically designated battery packs. Use of any other battery packs may create a risk of injury and fire.
- When battery pack is not in use, keep it away from other metal objects, like paper clips, coins, keys, nails, screws or other small metal objects, that can make a connection from one terminal to another. Shorting the battery terminals together may cause burns or a fire.
- Under abusive conditions, liquid may be ejected from the battery; avoid contact. If contact accidentally occurs, flush with water. If liquid contacts eyes, additionally seek medical help. Liquid ejected from the battery may cause irritation or burns.

SERVICE

Have your power tool and charger serviced by a qualified repair person using only identical replacement parts. This will ensure that the safety of the power tool is maintained. Attempting to perform service or maintenance outside of the scope of this manual, or failure to perform recommended inspection and cleaning, may cause denial of warranty claims.

BLOWER SAFETY WARNINGS



⚠ WARNING: THE USE OF AN IMPROPERLY ASSEMBLED BLOWER MAY RESULT IN SERIOUS PERSONAL INJURY. ONLY USE THIS TOOL AFTER IT HAS BEEN PROPERLY ASSEMBLED ACCORDING TO "UNPACKING AND ASSEMBLY" IN THIS MANUAL.

⚠ WARNING: THE BLOWER CAN BE DANGEROUS IN THE HANDS OF UNTRAINED USERS. DO NOT ALLOW CHILDREN OR PERSONS UNFAMILIAR WITH THE BLOWER OR THESE INSTRUCTIONS TO OPERATE THE BLOWER.

⚠ WARNING: USING THE BLOWER AS A TOY CAN CAUSE PERSONAL INJURY. DO NOT POINT THE BLOWER TOWARD PEOPLE OR PETS, NEVER INSERT ANY OBJECT INTO THE NOZZLE AND DO NOT BLOW DEBRIS TOWARD BYSTANDERS OR ANIMALS.

⚠ WARNING: IMPROPER USE CAN CAUSE PERSONAL INJURY OR PROPERTY DAMAGE. THE OPERATOR IS RESPONSIBLE FOR ACCIDENTS OR PROPERTY DAMAGE RESULTING FROM FAILURE TO FOLLOW THESE INSTRUCTIONS.

⚠ WARNING: THE BLOWER FAN BETWEEN THE AIR INTAKE AND OUTPUT OPENINGS ROTATES WHENEVER THE MOTOR IS RUNNING. IN ORDER TO REDUCE THE RISK OF INJURY FROM CONTACT WITH THE BLOWER FAN, NEVER OPERATE YOUR BLOWER WITHOUT A PROPERLY MOUNTED BLOWER TUBE OR WITH A MISSING OR DAMAGED INTAKE SCREEN.

⚠ WARNING: THE BLOWER IS UNSAFE TO OPERATE IF IT IS DAMAGED OR ALTERED. NEVER MODIFY THIS POWER TOOL IN ANY WAY. IF IT IS DROPPED, ALWAYS INSPECT THE BLOWER BEFORE CONTINUING WORK. CHECK, IN PARTICULAR, THAT THE CONTROLS AND SAFETY DEVICES ARE WORKING PROPERLY. SEE "INSPECTION" IN THIS MANUAL. DO NOT CONTINUE OPERATING THIS MACHINE IF IT IS DAMAGED.

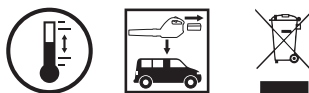
⚠ WARNING: BREATHING ASBESTOS DUST IS DANGEROUS AND CAN CAUSE SEVERE OR FATAL ILLNESS, RESPIRATORY ILLNESS OR CANCER. THE USE AND DISPOSAL OF ASBESTOS-CONTAINING PRODUCTS HAVE BEEN STRICTLY REGULATED BY OSHA AND THE ENVIRONMENTAL PROTECTION AGENCY. IF YOU HAVE ANY REASON TO BELIEVE THAT YOU MIGHT BE BLOWING OR OTHERWISE DISTURBING ASBESTOS, IMMEDIATELY CONTACT EPA, YOUR EMPLOYER OR A LOCAL OSHA REPRESENTATIVE.

⚠ WARNING: DUST WITH SILICA IN ITS COMPOSITION MAY CONTAIN CRYSTALLINE SILICA. SILICA IS A BASIC COMPONENT OF SAND, QUARTZ, BRICK, CLAY, GRANITE AND NUMEROUS OTHER MINERALS AND ROCKS INCLUDING MASONRY AND CONCRETE PRODUCTS. REPEATED AND/OR SUBSTANTIAL INHALATION OF AIRBORNE CRYSTALLINE SILICA CAN CAUSE SERIOUS OR FATAL RESPIRATORY DISEASE INCLUDING SILICOSIS. IN ADDITION, THE STATE OF CALIFORNIA AND SOME OTHER AUTHORITIES HAVE LISTED RESPIRABLE CRYSTALLINE SILICA AS A SUBSTANCE KNOWN TO CAUSE CANCER. WHEN ENCOUNTERING SUCH MATERIALS, ALWAYS FOLLOW THE RESPIRATORY PRECAUTIONS APPROVED BY NIOSH/MSHA FOR THE TYPE OF DUST ENCOUNTERED.

⚠ CAUTION: OBJECTS IN THE BLOWER FAN CAN DAMAGE THE BLOWER OR BE THROWN FROM THE NOZZLE. DO NOT INSERT ANYTHING INTO THE AIR INTAKE.

⚠ CAUTION: INHALATION OF CERTAIN DUSTS, ESPECIALLY ORGANIC DUSTS SUCH AS MOLD OR POLLEN, CAN CAUSE SUSCEPTIBLE PERSONS TO HAVE AN ALLERGIC OR ASTHMATIC REACTION. SUBSTANTIAL OR REPEATED INHALATION OF DUST OR OTHER AIRBORNE CONTAMINANTS, IN PARTICULAR THOSE WITH A SMALLER PARTICLE SIZE, MAY CAUSE RESPIRATORY OR OTHER ILLNESSES. CONTROL DUST AT THE SOURCE WHERE POSSIBLE. OPERATE THE UNIT SO THAT THE WIND OR BLOWER AIR DIRECTS ANY DUST AWAY FROM THE OPERATOR. FOLLOW THE RECOMMENDATIONS OF EPA/OSHA/NIOSH AND OCCUPATIONAL AND TRADE ASSOCIATIONS WITH RESPECT TO DUST ("PARTICULATE MATTER"). WHEN THE INHALATION OF DUST CANNOT BE KEPT AT OR NEAR THE BACKGROUND LEVEL, THE OPERATOR AND ANY BYSTANDERS SHOULD WEAR A RESPIRATOR APPROVED BY NIOSH/MSHA FOR THE TYPE OF DUST ENCOUNTERED.

STORAGE, TRANSPORTING AND DISPOSAL



STORING THE BLOWER

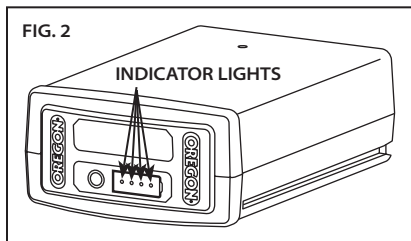
- Remove the battery pack from the blower.
- Clean blower thoroughly.
- Store in a dry place.
- Keep out of reach of children or pets.

STORING THE BATTERY PACK

When storing the battery pack longer than nine months, follow these guidelines:

- Remove the battery pack from the blower.
- Store in a cool, dry place.
- Keep out of reach of children or pets.

- To prolong battery life, never store battery pack in a completely discharged condition (with no indicator lights lit) (Fig. 2).



- For maximum battery life, make sure the battery pack is charged once per year or when the LED indicator shows only one light.
- Store at a temperature between -4°F to 86°F (-20°C and 30°C).

STORING THE CHARGER

- Disconnect charger from power source.
- Store in a dry place.
- Keep out of reach of children or pets.

See "Maintenance and Cleaning" for more information.

TRANSPORTING THE BLOWER

- Remove battery pack from the blower.
- Tools can shift during transport. Ensure the tool is secure and cannot fall or move into contact with people or property.

TRANSPORTING THE BATTERY PACK

Observe respective local and national regulations when shipping lithium ion batteries. Compulsory labeling may be required.

BLOWER AND CHARGER DISPOSAL

OREGON® products are designed and manufactured with high quality materials and components which can be recycled and reused. Please dispose of this equipment in an environmentally correct manner at a local community waste collection/recycling center.

BATTERY PACK DISPOSAL

Do not dispose of battery pack in household garbage or incinerate. Local waste management and recycling agencies have information on proper recycling or disposal instructions. Battery packs can be collected in the United States or Canada through Rechargeable Battery Recycling Corporation. OREGON® has already paid the costs involved to recycle battery packs. Return end of life battery packs to participating retailer or recycling center. Return locations and more information can be found at www.call2recycle.org or 1-800-8BATTERY.



BATTERY SAFETY

⚠ WARNING: IMPROPER BATTERY CARE CAN CAUSE THE BATTERY TO LEAK HAZARDOUS CHEMICALS, OVERHEAT, EMIT SMOKE, BURST, FLARE, EXPLODE AND/OR IGNITE. FOLLOW THESE SAFETY RULES.

⚠ CAUTION: DO NOT DISPOSE OF THE BATTERY PACK IN THE HOUSEHOLD WASTE OR FIRE. LITHIUM ION BATTERY PACKS SHOULD BE RECYCLED BY A LOCAL AUTHORIZED RECYCLER.

IMPORTANT: EXPOSURE TO EXCESSIVE HEAT CAN CAUSE A LOSS IN PERFORMANCE AND/OR SERVICE LIFE. DO NOT EXPOSE BATTERY PACK TO EXCESSIVE HEAT, SUCH AS THE INTERIOR OF A VEHICLE IN HOT WEATHER.

- Do not attempt to recharge a non-rechargeable battery pack.
- Do not disassemble or modify the battery pack. This can damage safety features.

- Do not connect the positive (+) and negative (-) terminals with metal objects or store the battery pack with metal objects such as coins or screws. This can cause short-circuiting and generate enough heat to cause burns.
- Do not incinerate the battery pack or expose to excessive heat. This can melt insulation or damage safety features.
- Do not use, charge or store near heat higher than 176°F (80°C). This can cause overheating and internal short-circuiting.
- Do not expose to extremely wet conditions. This can damage safety features, cause extremely high current and voltage charging and lead to abnormal chemical reactions.
- Use only the charger specifically designed for the battery pack, and follow the safety precautions described in “Charger Safety”. Using another charger can damage safety features, cause extremely high current and voltage charging and lead to abnormal chemical reactions.
- Do not use OREGON® branded battery packs in non-OREGON® branded tools.
- Do not strike, pierce or throw the battery pack, and do not use a damaged or deformed battery pack.
- If recharging fails, do not attempt to recharge.
- If the battery pack gives off an odor, generates heat or is discolored, deformed or abnormal in any way during use, recharging or storage, immediately remove from the blower or charger.
- Any liquid leaking from the battery is corrosive, can damage eyes and skin and may be toxic if swallowed.

CHARGER SAFETY

IMPORTANT SAFETY INSTRUCTIONS

⚠ WARNING: RISK OF ELECTRIC SHOCK. ENSURE THAT THE POWER UNIT AND CORD DO NOT INTERFERE WITH COMPLETELY CLOSING THE RECEPTACLE COVER.

IMPORTANT: THIS CHARGER IS NOT INTENDED FOR USE BY PERSONS (INCLUDING CHILDREN) WITH REDUCED PHYSICAL, SENSORY OR MENTAL CAPABILITIES OR LACK OF KNOWLEDGE, UNLESS THEY HAVE BEEN GIVEN SUPERVISION OR INSTRUCTION BY A PERSON RESPONSIBLE FOR THEIR SAFETY. CHILDREN SHOULD BE SUPERVISED TO ENSURE THAT THEY DO NOT PLAY WITH THE APPLIANCES.

IMPORTANT: USE THIS CHARGER ONLY WITH THE SUPPLIED POWER CORD, MAKING SURE THAT THE INPUT PLUG CORRECTLY MATES TO THE OUTPUT RECEPTACLE.

When using electrical products, basic precautions should always be practiced including the following:

- **Read and follow all safety instructions before use.** *Read and follow all instructions that are on the product or provided with the product.*
- **Save these instructions.**
- **Do not use an extension cord.**
- **Damaged or entangled cords increase the risk of electric shock.** *Do not abuse the cord. Never use the cord for carrying, pulling or unplugging the power tool. Keep cord away from heat, oil, sharp edges or moving parts.*
- **Do not expose the charger to rain.** *For indoor use only.*
- **Do not use within 10 feet (3 m) of a pool.**

UNPACKING AND ASSEMBLY

UNPACKING

WHAT'S IN THE BOX?

The blower requires some assembly before use. These items ship with the blower:

- Blower
- Nozzle
- Harness
- Charger and power cord (if so equipped)
- Battery (if so equipped)

After removing the blower from the box, inspect it carefully to ensure no damage has occurred during shipping and that no parts are missing. If any parts are damaged or missing, do not use the blower. Contact OREGON® Cordless Tool System at 888.313.8665 to obtain replacement parts.

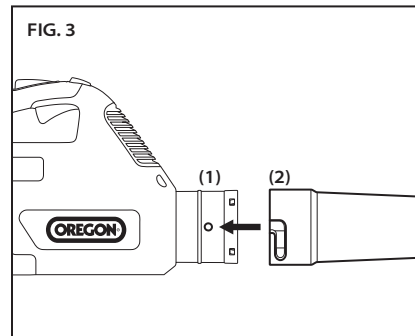
ASSEMBLY

⚠ WARNING: ONLY OPERATE THE BLOWER WITH THE NOZZLE PROPERLY ASSEMBLED.

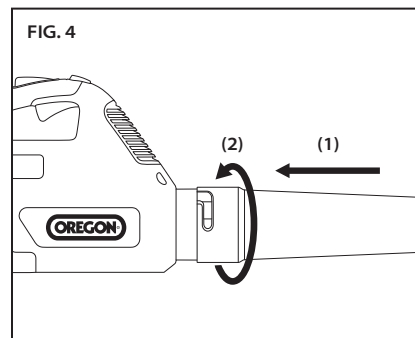
⚠ WARNING: A BATTERY OPERATED TOOL WITH THE BATTERY PACK INSERTED CAN START ACCIDENTALLY. REMOVE THE BATTERY PACK BEFORE ASSEMBLING OR PERFORMING MAINTENANCE.

Before using the blower, connect the nozzle to the blower tube.

- Orient the nozzle so that the two lugs (1) on the blower tube align to the two slots (2) on the nozzle (Fig. 3).



- Press the nozzle onto the blower tube (1), then rotate one quarter turn (2) to lock into place (Fig. 4).



OPERATING THE BLOWER

BATTERY PACK AND CHARGER

⚠ WARNING: TO REDUCE THE RISK OF SHOCK, DO NOT CHARGE THE BATTERY PACK IN THE RAIN.

BATTERY PACK LED CHARGE-LEVEL INDICATOR

The lithium ion battery pack is equipped with an LED charge-level indicator. To test the charge level of the battery pack, press the indicator button on the battery pack's face (Fig. 5).

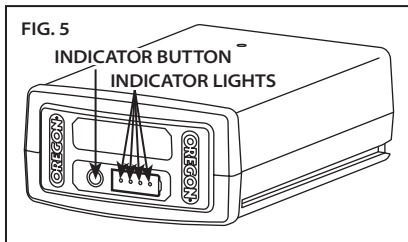
No lights: recharge.

One steady green light:
less than 25% charged.
Charge battery pack before use.

Two steady green lights:
26–50% charged.

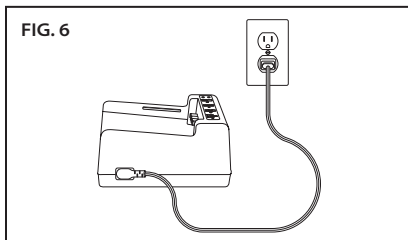
Three steady green lights:
51–75% charged.

Four steady green lights:
76–100% charged.



CONNECTING THE CHARGER

If the charger includes a separate power cord, connect the charger cord to the charger and to the proper electrical outlet (Fig. 6).



Only use the cord set that was supplied with the charger. At first use, verify that the plug type matches the receptacle.

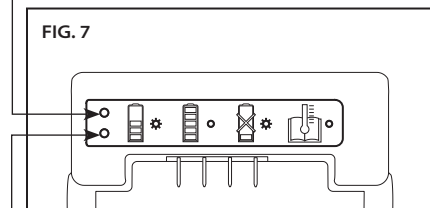
CHARGER LED CHARGE-STATE INDICATOR

The battery charger is equipped with an LED charge-state indicator that indicates the state of charging as well as conditions that may delay or prevent charging (Fig. 7).

Note: Until a battery pack is inserted, no lights will be visible.

Blinking orange light: a fault condition exists. There are several potential causes. See "Troubleshooting" in this manual.

Steady orange light: the battery pack temperature is beyond the acceptable range (32°F/0°C to 104°F/40°C). Allow the battery pack to reach the acceptable temperature range before charging. The pack may be left on the charger as the temperature adjusts. Charging will begin when the proper temperature is reached.



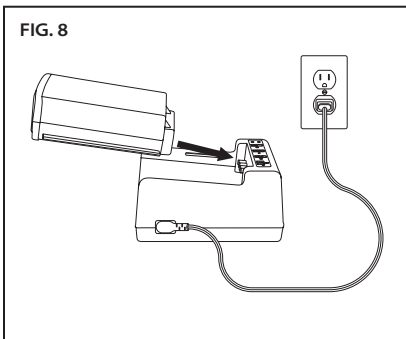
Blinking green light: battery pack is charging.

Steady green light: battery pack is ready for use.

CHARGING THE BATTERY PACK

⚠ WARNING: FAILURE TO FOLLOW PROPER CHARGING PROCEDURES MAY CAUSE EXCESSIVE VOLTAGE, EXCESSIVE CURRENT FLOW, LOSS OF CONTROL DURING CHARGING, LEAKAGE OF HAZARDOUS CHEMICALS, HEAT GENERATION, BURSTING OR FIRE. FOLLOW THESE CHARGING INSTRUCTIONS.

With the charger cord connected to the charger and plugged into an electrical outlet, align the grooves in the battery with the rails on the charger and slide the battery pack onto the charger until fully seated (Fig. 8).

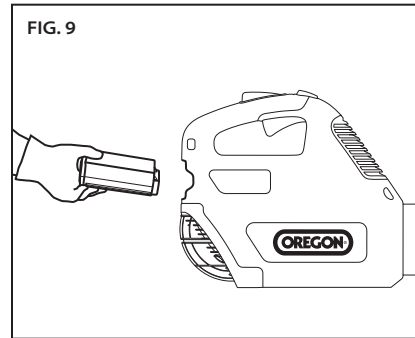


Check the charge-state indicator for charging conditions.

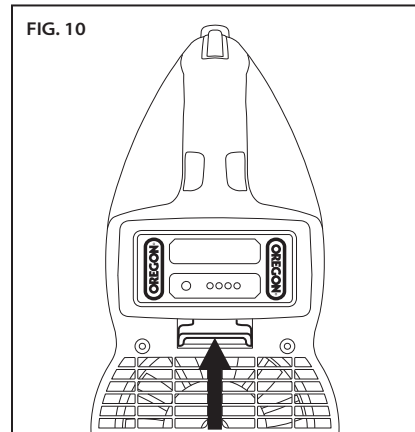
INSERTING AND RELEASING THE BATTERY PACK

Only use the OREGON® brand battery packs specified in these operating instructions.

Align the groove in the battery with the rails inside the battery port. Firmly insert the battery pack into the blower's battery port, pressing forward until it clicks as it locks into place (Fig. 9).



To remove the battery pack, lift up on the battery release, grasp the sides of the battery pack and remove it (Fig. 10).



GENERAL OPERATION



⚠ WARNING: TO REDUCE THE RISK OF INJURY, ALWAYS WEAR PROPER BOOTS, LONG PANTS, EAR AND EYE PROTECTION.

⚠ WARNING: TO REDUCE THE RISK OF INJURY, DO NOT POINT THE BLOWER AT THE OPERATOR, BYSTANDERS OR PETS.

⚠ WARNING: TO REDUCE THE RISK OF INJURY, DO NOT OVERREACH AND DO NOT STAND ON A LADDER, STEPSTOOL OR ANY RAISED POSITION THAT IS NOT FULLY SECURED.

OPERATING TEMPERATURE

This blower is designed to operate within a temperature range of 32°F to 104°F (0°C to 40°C).

GRIP

The blower can be used with either hand. Grasp the handle with the whole hand and firmly wrap the fingers and thumb around the handle (Fig. 11).

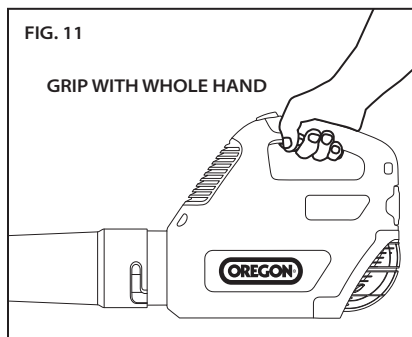


FIG. 11

GRIP WITH WHOLE HAND

FOOTING

Stand with both feet on solid ground with weight evenly spread between them (Fig. 12).

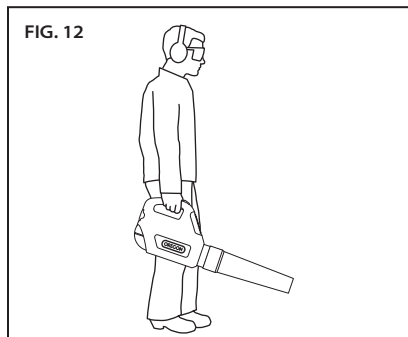


FIG. 12

Be careful on stairs, and work slowly to maintain footing. Never run when operating the blower.

USING THE HARNESS

The harness helps to distribute the weight of the blower across the body, increasing comfort for extended use.

This harness is equipped with a quick-release that can be operated with one hand (Fig. 13).

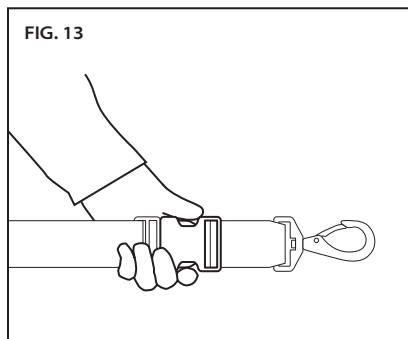
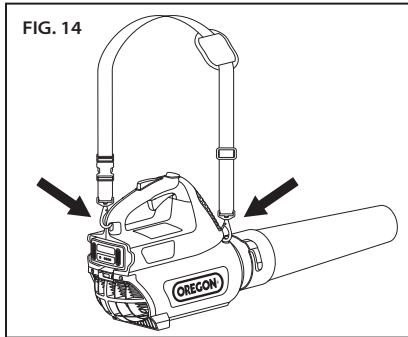
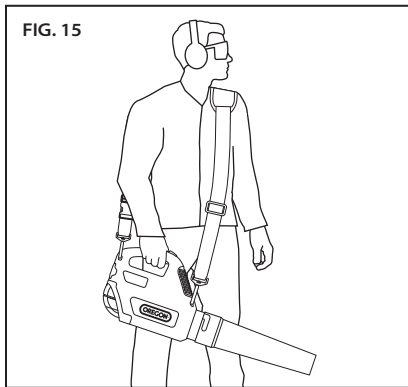


FIG. 13

- Attach the harness clips to the harness loops with the adjustment buckle in front and the quick-release in back (Fig. 14).



- Wear the harness over the head and the shoulder opposite the trigger hand.
- Adjust the strap length to a comfortable operating position (Fig. 15).



STOPPING THE BLOWER

Release the variable trigger to stop the blower.

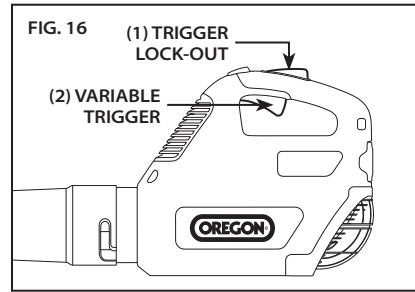
STARTING THE BLOWER

⚠ WARNING: TO REDUCE THE RISK OF INJURY, NEVER DEFEAT THE TRIGGER LOCK-OUT BY TAPING, WIRING OR TYING DOWN THE TRIGGER LOCK-OUT.

If using the harness, attach the harness clips to the attachment loops and put on the harness.

Grasp the handle firmly such that the trigger lock-out is depressed by the palm of the hand (1).

- To start the blower, squeeze the variable trigger (2) (Fig. 16). Squeeze the variable trigger more firmly to increase the speed and force of the blower.

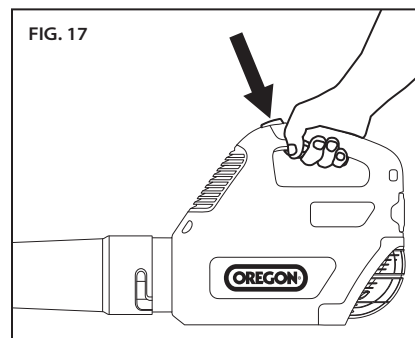


USING TURBO MODE

Turbo mode increases the blower speed and force beyond the highest speed achieved from holding the variable trigger all the way down (turbo function is not available with a B500S 1.25Ah battery).

Use this extra power to move heavy, thick or wet material that is difficult to move otherwise.

While holding the variable trigger, press and hold the turbo button (Fig. 17).



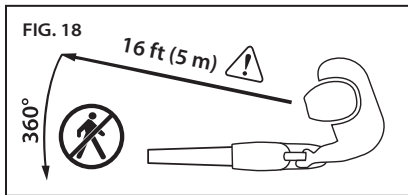
Prolonged use of turbo mode will decrease the use time per battery charge.

OPERATING THE BLOWER

⚠ WARNING: TO REDUCE THE RISK OF INJURY, WEAR PROPER BOOTS, LONG PANTS, EAR AND EYE PROTECTION.

⚠ CAUTION: ESTABLISH A BYSTANDER SAFETY ZONE OF 16 FT (5 M) PRIOR TO OPERATION OF THIS EQUIPMENT.

BYSTANDER SAFETY ZONE IS A MINIMUM 16 FT (5 M) CIRCLE AROUND THE OPERATOR THAT MUST REMAIN FREE FROM BYSTANDERS, CHILDREN AND PETS (FIG. 18).



⚠ CAUTION: THROWN OBJECT HAZARD. DO NOT POINT THE BLOWER TOWARD PEOPLE OR ANIMALS.

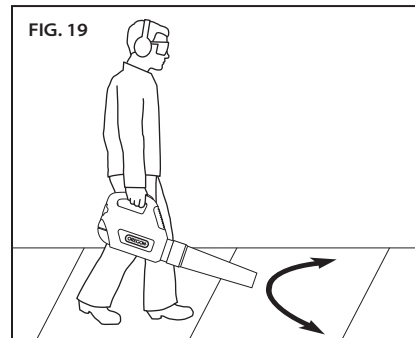
IMPORTANT: OBSERVE ALL APPLICABLE NATIONAL AND MUNICIPAL RULES AND REGULATIONS FOR BLOWERS.

IMPORTANT: THE BLOWER FUNCTIONS MORE EFFICIENTLY WHEN THE AIRFLOW IS UNOBSTRUCTED. PREVENT DEBRIS FROM CLOGGING THE AIR INTAKE.

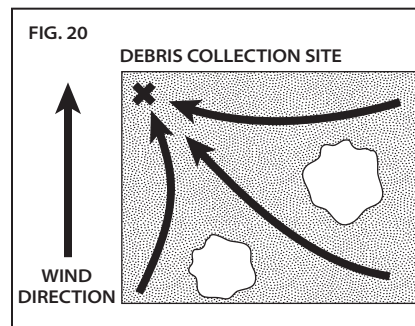
IMPORTANT: BLOWING FINE MATERIAL ON SMOOTH SURFACES FOR EXTENDED PERIODS CAN CAUSE BUILDUP OF STATIC ELECTRICITY. FREQUENT BREAKS HELP PREVENT STATIC BUILDUP.

To get the best performance and operate the blower safely, follow these instructions:

- Before using, inspect the blower as described in "Maintenance and Cleaning".
- Before using, determine where the debris should be collected.
- Take frequent breaks to prevent fatigue and reduce buildup of static electricity in dusty environments.
- Start the blower at a slow speed, and begin slowly and smoothly sweeping the nozzle from side to side (Fig. 19).



- Move debris in one direction only, toward the collection location, to avoid blowing debris into areas already swept (Fig. 20).



- Increase the blower speed to move heavier materials or to clear the area more quickly.

Use extra care when wearing hearing protection as it can be difficult to hear bystanders. Watch out for small animals, use extra care around blind corners and doorways and switch off and stop using if approached.

Watch out for vehicles and windows.

Use extra caution when operating close to the ground so that objects are not drawn into the air intake or ejected from the nozzle.

TIPS FOR USE

Try these tips to get the most out of the blower:

- Use only OREGON® attachments.
- To minimize dust, start blowing with the nozzle low to the ground, and then gradually move upward.
- In dusty conditions, wearing a dust mask can increase comfort when working.
- To develop technique, practice on small amounts of grass clippings, a paper cup or other light materials that are easy to clean up.
- Practice different combinations of nozzle movement and speeds to determine what works best on a given surface and material.
- In extremely dusty areas, sprinkle water on the surface to minimize dust.
- Use a broom or rake to loosen heavy debris before blowing.
- Do not work against the wind. Moving debris in the direction the wind is blowing is easier and generates less dust.

MAINTENANCE AND CLEANING

BLOWER



⚠ WARNING: A BATTERY OPERATED TOOL WITH THE BATTERY PACK INSERTED CAN START ACCIDENTALLY. REMOVE THE BATTERY PACK BEFORE INSPECTING, CLEANING OR PERFORMING MAINTENANCE.

⚠ CAUTION: INSPECT THE BLOWER REGULARLY. REGULAR INSPECTION IS THE FIRST STEP TO PROPER MAINTENANCE. FOLLOW THE GUIDELINES BELOW TO MAXIMIZE SAFETY AND SATISFACTION. HAVE ANY DAMAGED OR EXCESSIVELY WORN PARTS REPLACED IMMEDIATELY.

⚠ CAUTION: WHEN CLEANING THE BLOWER, DO NOT IMMERSE IN WATER OR OTHER LIQUIDS. DO NOT USE A PRESSURE WASHER TO CLEAN THE BLOWER.

INSPECTION

Before each use, and if the blower has been dropped, inspect these parts:

- Handle: The handle should not have cracks or other damage. It should be clean, dry and free of oil, moisture or anything else that prevents a firm grip.
- Electronics Cooling Vent: The electronics cooling vent should be clear and free of debris.
- Battery Pack: The battery pack should be clean, dry and show no signs of puncture, impact or other damage. The contacts should be clean, dry and free of debris.
- Battery Port: The battery port and contacts should be clean, dry and free of debris.

- Variable Trigger: The variable trigger should operate smoothly and should cause increased blower speed with increased pressure.
- Trigger Lock-out: The variable trigger should prevent the motor starting if it is not depressed.
- Intake Screen: The intake screen should be free of cracks or other damage and should adequately cover the air intake so as to prevent debris from entering the intake.
- Blower Tube: The blower tube should be free of cracks or other damage and should fit snugly to the nozzle.
- Nozzle: The nozzle should be free of cracks or other damage and should fit snugly to the blower tube.
- Harness: Fabric should not be cut or frayed, and adjustment buckle and clips should be free from cracks.
- Screws: Screws should be tight and hold each component in place.

CLEANING

⚠ CAUTION: WHEN CLEANING THE BLOWER, DO NOT IMMERSE IN WATER OR OTHER LIQUIDS. DO NOT USE A PRESSURE WASHER TO CLEAN THE BLOWER.

- Remove the battery.
- Remove any debris from the intake screen to ensure unrestricted airflow.
- Clear debris from the nozzle.
- Clear any debris from the battery port and wipe the contacts.
- Wipe dust and clippings from the blower.

BATTERY PACK

IMPORTANT: THERE ARE NO USER SERVICEABLE PARTS INSIDE THE BATTERY PACK. DO NOT DISASSEMBLE.

Lithium ion batteries have a finite operating life. If the amount of use time per charge decreases noticeably under normal, non-turbo mode use, the battery pack is at the end of its useful life and should be replaced.

- Make sure the battery pack, including the contacts, is clean, dry and has no signs of puncture, impact or other damage. Broken batteries can cause fires or emit hazardous chemicals.
- Clean dirty contacts with a soft, dry cloth. Dirt or oil can cause a poor electrical connection resulting in loss of power.
- Store battery with a full charge, on a charger when possible.

CHARGER

IMPORTANT: THERE ARE NO USER SERVICEABLE PARTS INSIDE THE CHARGER. DO NOT DISASSEMBLE.

- Unplug the charger from the electrical outlet.
- Clean dirty contacts with a soft, dry cloth.

TROUBLESHOOTING

Use this table to see possible solutions for problems with the blower. If these suggestions do not solve the problem, see “Warranty and Service”.

SYMPTOM	POSSIBLE CAUSE	RECOMMENDED ACTIONS
Motor does not run or runs intermittently	Battery discharged	Recharge. See “Battery Pack and Charger”.
	Trigger lock-out not pressed	Press the trigger lock-out before squeezing the trigger switch. See “General Operation”.
	Battery pack not fully inserted	Press the battery pack into the battery port until it clicks into place.
	Battery contacts dirty	Remove the battery pack, remove debris from the battery port and then clean the contacts with a clean, dry cloth.
	Battery pack too hot or too cold	Allow the battery pack to warm or cool to within the operating temperature range of 32°F to 104°F (0°C to 40°C).
	Electronics cooling vent clogged	Clear any debris from the vent to provide unobstructed airflow to the variable trigger.
Air volume and/or speed from nozzle decreases noticeably	Air intake clogged	Clear debris from the intake screen.
	Nozzle clogged	Remove the battery, then remove the nozzle and clear debris from the nozzle.
Excessive vibration	Blower fan damaged	Have the blower inspected at an approved service location.
Turbo button not operating	Use of a B500S 1.25Ah battery pack	The turbo button will not operate with a B500S 1.25Ah battery. Insert higher capacity battery pack to operate turbo button.
Battery pack does not charge	Battery pack over/under temperature protection is activated	This may occur when the blower is run continuously or exposed to high ambient temperatures. Allow the battery pack to reach the acceptable temperature before charging. See “Battery Pack and Charger”.
	Dirty or damaged contacts on battery pack or charger	Inspect the contacts on both the battery pack and charger. If necessary, clean according to the instructions in this manual. Reinsert battery pack into the charger, making sure it is fully seated.
	Battery pack is at the end of its life	All batteries have a finite life. If the battery pack is more than two years old or has been recharged frequently, it may be time to replace it. Replace only with the battery pack specified for this blower.
	Charger faulty	Have the function checked at an approved service location.

SYMPTOM	POSSIBLE CAUSE	RECOMMENDED ACTIONS
Low use time per battery charge	Excessive use of turbo mode	Use turbo only when needed to move dense, heavy or wet material.
	Battery pack not fully charged	Recharge. See “Battery Pack and Charger”.
	Battery pack is at the end of its life	All batteries have a finite life. If the battery pack is more than two years old or has been recharged frequently, it may be time to replace it. Replace only with the battery pack specified for this blower.
Blinking orange light on charge state indicator	Charger short circuit, charger over current, over voltage limit, open circuit on battery pack or charge/pre-charge time out error	<ol style="list-style-type: none"> 1. Make sure the charger cord is connected to both the charger and the electrical outlet. 2. Make sure the charger is receiving the correct voltage. 3. Try charging another battery pack designed for this charger. <p>If this does not correct the problem, have the function checked at an approved service location.</p>

SPECIFICATIONS AND COMPONENTS

⚠ WARNING: USING REPLACEMENT PARTS OTHER THAN THOSE SPECIFIED IN THIS INSTRUCTION MANUAL INCREASES THE RISK OF INJURY. NEVER USE ATTACHMENTS OTHER THAN THOSE DESCRIBED IN THIS MANUAL.

REPLACEMENT COMPONENTS		PART NUMBER
INTAKE SCREEN		572566
NOZZLE		572563
HARNESS		572569
BATTERY PACK, MODEL B600E		548208
BATTERY PACK, MODEL B400E		545938
BATTERY PACK, MODEL B500S		545937
CHARGER WITH CORD, MODEL C600		540580
RAPID CHARGER WITH CORD, MODEL C750		548185
CHARGER, MODEL C600		
INPUT	100-240V~ 50-60Hz 60W	
INPUT (U.S. AND CANADA ONLY)	120V~ 60Hz 60W	
OUTPUT	41.5V $\overline{=}$ 1.25A	
POWER CORD	US/CAN P/N: 546636 EU P/N: 547383 UK P/N: 547384 AU/NZ P/N: 560663	
BATTERY PACK		
TYPE	LITHIUM ION	
OPERATING TEMPERATURES	32°F TO 104°F (0°C TO 40°C)	
MODEL	CAPACITY, NOMINAL	VOLTAGE, NOMINAL
B600E	4.00 Ah / 144 Wh	+36 VDC
B400E	2.40 Ah / 89 Wh	+37 VDC
B500S	1.25 Ah / 47 Wh	+37 VDC
BLOWER		
DRY WEIGHT ASSEMBLED	6.2 lb (2.8 kg)	
VIBRATION	2.5 m/s ² (K, 1.5 m/s ²)	
	HIGH SPEED	TURBO *
GUARANTEED SOUND PRESSURE LEVEL	61 dB(A)	65 dB(A)
AIR SPEED	102 mph	131 mph
AIR VOLUME	400 cfm	507 cfm

* Turbo function is not available with a B500S 1.25Ah battery.

WARRANTY AND SERVICE

WARRANTY

Blount, Inc. warrants all registered OREGON® Cordless Tools and Chargers for a period of three (3) years and all registered OREGON® Cordless Battery Packs for two (2) years from original date of purchase. Registered OREGON® Cordless Tools, Battery Packs and Chargers are warranted for two (2) years if used for commercial purposes. This limited warranty applies to the OREGON® Cordless Tool System manufactured products. During the warranty period, Blount will replace or, at its option, repair for the original purchaser only, free of charge, any product or part which is found upon examination by Blount to be defective in material and/or workmanship. The purchaser shall be responsible for all transportation charges and any cost of removing any part submitted for replacement under this warranty.

To register your product, visit the "support" section of OregonCordless.com.

SERVICE AND SUPPORT INFORMATION

Visit us on the web at **OregonCordless.com** for service center information, or contact our customer service department at 888.313.8665 for assistance, additional technical advice, repair, replacement parts, or to register the product.

For safety, use only genuine factory replacement parts on the blower. Our service center is staffed with trained personnel to efficiently provide support and assistance with adjustment, repair, or replacement of all OREGON® Cordless Tool System products.



TABLE DES MATIÈRES

SYMBOLES ET ÉTIQUETTES	27
NOMS ET TERMES RELATIFS AU SOUFFLEUR.	28
IDENTIFICATION DU PRODUIT	29
RÈGLES DE SÉCURITÉ	30
DÉFINITIONS DES SIGNAUX DE SÉCURITÉ	30
AVERTISSEMENTS DE SÉCURITÉ GÉNÉRAUX POUR LES OUTILS ÉLECTRIQUES	30
SÉCURITÉ DE LA ZONE DE TRAVAIL.	31
SÉCURITÉ ÉLECTRIQUE.	31
SÉCURITÉ PERSONNELLE	31
UTILISATION ET ENTRETIEN DES OUTILS ÉLECTRIQUES	31
UTILISATION ET ENTRETIEN DES OUTILS À BATTERIE.	32
RÉPARATIONS.	32
AVERTISSEMENTS DE SÉCURITÉ RELATIFS AU SOUFFLEUR.	32
ENTREPOSAGE, TRANSPORT ET ÉLIMINATION	33
SÉCURITÉ DE LA BATTERIE	34
SÉCURITÉ DU CHARGEUR.	35
DÉBALLAGE ET MONTAGE.	36
FONCTIONNEMENT DU SOUFFLEUR.	37
BLOC DE BATTERIE ET CHARGEUR	37
FONCTIONNEMENT GÉNÉRAL.	39
FONCTIONNEMENT DU SOUFFLEUR	41
ENTRETIEN ET NETTOYAGE	43
INSPECTION	43
NETTOYAGE	43
BLOC DE BATTERIE.	44
CHARGEUR.	44
DÉPANNAGE	45
CARACTÉRISTIQUES ET COMPOSANTS	47
GARANTIE ET SERVICE	48

SYMBOLES ET ÉTIQUETTES

Ces symboles et étiquettes apparaissent sur le souffleur et/ou dans le présent manuel.

SYMBOLE	NOM	EXPLICATION
	CONSTRUCTION DE CLASSE II	OUTILS DE CONSTRUCTION À DOUBLE ISOLATION DÉSIGNÉS.
	SYMBOLE D'ALERTE DE SÉCURITÉ	SIGNALE QUE LE TEXTE QUI SUIT EXPLIQUE UN DANGER, UN AVERTISSEMENT OU UNE MISE EN GARDE.
	LIRE LES INSTRUCTIONS	LE MANUEL D'INSTRUCTIONS ORIGINAL CONTIENT DES RENSEIGNEMENTS IMPORTANTS SUR LE FONCTIONNEMENT ET LA SÉCURITÉ. LISEZ ET SUIVEZ ATTENTIVEMENT CES INSTRUCTIONS.
	PORTER UNE PROTECTION OCULAIRE	PORTER UNE PROTECTION OCULAIRE QUI RESPECTE LES NORMES ANSI Z 87.1 (OU VOTRE NORME NATIONALE APPROPRIÉE) LORS DE L'UTILISATION DU SOUFFLEUR.
	PORTER UNE PROTECTION AUDITIVE	OREGON ^{MD} RECOMMANDE DE PORTER UNE PROTECTION AUDITIVE LORS DE L'UTILISATION DU SOUFFLEUR.
	PORTER UN PANTALON	PORTER UN PANTALON LORS DE L'UTILISATION DU SOUFFLEUR.
	PORTER UNE PROTECTION POUR LES PIEDS	PORTER DES BOTTES DE SÉCURITÉ FERMÉES APPROPRIÉES LORS DE L'UTILISATION DU SOUFFLEUR.
	PRESSION ACOUSTIQUE	NIVEAU DE PLESSION ACOUSTIQUE GARANTI
	NE PAS UTILISER UNE ÉCHELLE	NE JAMAIS SE TENIR DEBOUT SUR UNE ÉCHELLE LORS DE L'UTILISATION DU SOUFFLEUR.
	NE PAS INCINÉRER	NE PAS JETER DANS LE FEU.
	NE PAS JETER	NE PAS JETER DANS LES ORDURES MÉNAGÈRES. APPORTER À UN CENTRE DE RECYCLAGE AUTORISÉ.
	NE PAS EXPOSER À LA PLUIE	NE PAS UTILISER LE CHARGEUR DANS DES CONDITIONS D'HUMIDITÉ.
	UTILISATION À L'INTÉRIEUR UNIQUEMENT	CHARGEUR DESTINÉ À UNE UTILISATION À L'INTÉRIEUR SEULEMENT.
	TEMPÉRATURE DE FONCTIONNEMENT	UTILISEZ UN BLOC DE BATTERIE UNIQUEMENT À UNE TEMPÉRATURE COMPRISE ENTRE 0 °C et 40 °C (32 °F et 104 °F).
	RETIRER LA BATTERIE	RETIREZ LA BATTERIE AVANT TOUTE OPÉRATION D'ENTRETIEN.
	RETIRER LA BATTERIE AVANT LE TRANSPORT	RETIRER LE BLOC DE BATTERIE DU SOUFFLEUR AVANT L'ENTREPOSAGE, LE TRANSPORT OU L'ÉLIMINATION.
	ZONE DE SÉCURITÉ DES OBSERVATEURS	ÉTABLIR UNE ZONE DE SÉCURITÉ DES OBSERVATEURS DE 5 M (16 PI) AUTOUR DE L'OPÉRATEUR.
	RISQUE D'ENCHEVÊTREMENT	GARDEZ VOS CHEVEUX, VOS VÊTEMENTS, VOS DOIGTS ET TOUTES LES PARTIES DE VOTRE CORPS À L'ÉCART DES OUVERTURES.
	RISQUE DE PROJECTION D'OBJETS	NE POINTEZ PAS LE SOUFFLEUR EN DIRECTION DE PERSONNES OU D'ANIMAUX PENDANT QU'IL FONCTIONNE.
	VENTILATEUR ROTATIF	N'INSÉREZ PAS DE DOIGTS DANS LE SOUFFLEUR ET NE LE FAITES PAS FONCTIONNER SI L'ÉCRAN PROTECTEUR EST ENDOMMAGÉ.

NOMS ET TERMES RELATIFS AU SOUFFLEUR

Anneaux de fixation du harnais : Points sur le souffleur auquel un harnais peut être fixé.

Bouton de verrouillage de la gâchette : Un arrêt mobile qui empêche l'activation involontaire de la gâchette à vitesse variable, jusqu'à ce qu'elle soit activée manuellement.

Bouton turbo : Puissance supplémentaire appliquée au moteur du souffleur en appuyant sur le bouton turbo (la fonction turbo n'est pas offerte avec une batterie de B500S 1,25 Ah).

Buse : Longue partie cylindrique fixée au tube du souffleur qui sert à diriger l'air du souffleur.

De montage mural : L'encoche située au bas du souffleur qui peut être utilisée pour suspendre l'outil alors qu'il est stocké.

Écran protecteur : L'écran qui recouvre l'entrée d'air et qui empêche les objets ou les doigts d'être aspirés par le ventilateur.

Entrées d'air : L'orifice situé à l'arrière du souffleur par lequel l'air est aspiré par le ventilateur.

Fentes d'alignement : Les encoches de la buse dans lesquelles les languettes s'insèrent lors de la fixation de la buse au tube du souffleur.

Gâchette à vitesse variable : Un dispositif qui permet d'allumer et d'éteindre le souffleur et qui permet à l'utilisateur de régler sa vitesse. Une pression plus ferme sur la gâchette augmentera le flux d'air s'écoulant de la buse.

Harnais : Un dispositif de sécurité porté par l'opérateur et relié au souffleur qui contribue à bien répartir le poids du souffleur.

Languettes d'alignement : Les protubérances sur le tube du souffleur auquel la buse est fixée.

Poignée : La portion du souffleur qu'agrippe l'opérateur et qui comprend la gâchette à vitesse variable, le bouton de verrouillage de la gâchette et le bouton turbo.

Prise de refroidissement des composants électroniques : L'orifice situé à l'avant de la poignée qui permet d'acheminer un flux d'air de refroidissement sur le circuit électronique interne.

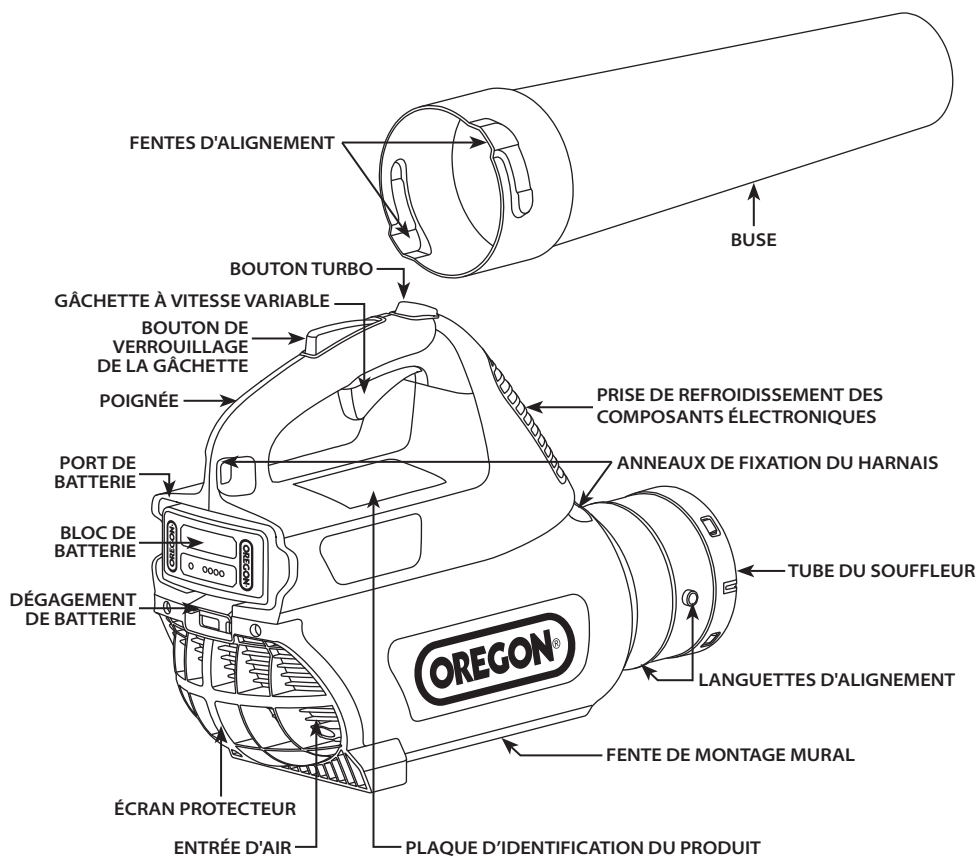
Tube du souffleur : La protubérance ronde à l'avant du souffleur à laquelle la buse est fixée.

Ventilateur : La partie rotative à l'intérieur du souffleur qui déplace l'air.

Zone de sécurité des observateurs : Un cercle de 5 m (16 pi) autour de l'opérateur dans lequel aucun observateur, enfant et animal ne doit se trouver.

IDENTIFICATION DU PRODUIT

CONNAÎTRE LE FONCTIONNEMENT DU SOUFFLEUR





REMARQUE : Consultez la section « Déballage et assemblage » pour obtenir la liste des éléments inclus.

INTRODUCTION

Ce souffleur est conçu pour nettoyer les débris légers comme l'herbe coupée, les feuilles, les brindilles, le papier et la poussière des surfaces planes. Cet outil est uniquement destiné à un usage domestique. Toute autre utilisation du souffleur peut augmenter la possibilité de projection dangereuse d'objets. Lisez et suivez ce mode d'emploi afin de minimiser les risques et maximiser votre satisfaction en lien avec le produit.

RÈGLES DE SÉCURITÉ

DÉFINITIONS DES SIGNAUX DE SÉCURITÉ

SYMBOLE	SIGNAL	SIGNIFICATION
	AVERTISSEMENT	INDIQUE UN DANGER POTENTIEL QUI POURRAIT ENTRAÎNER UNE BLESSURE GRAVE.
	MISE EN GARDE	INDIQUE UN DANGER POTENTIEL QUI POURRAIT ENDOMMAGER GRAVEMENT L'OUTIL OU ENTRAÎNER UNE BLESSURE LÉGÈRE OU MODÉRÉE.
	IMPORTANT	LE RESPECT DE CETTE DIRECTIVE AUGMENTERA VOTRE SATISFACTION EN LIEN AVEC L'OUTIL.

AVERTISSEMENTS DE SÉCURITÉ GÉNÉRAUX POUR LES OUTILS ÉLECTRIQUES

⚠ AVERTISSEMENT : VEUILLEZ LIRE ET COMPRENDRE TOUS LES AVERTISSEMENTS DE SÉCURITÉ ET TOUTES LES INSTRUCTIONS. LE NON-RESPECT DES AVERTISSEMENTS DE SÉCURITÉ ET DES INSTRUCTIONS PEUT ENTRAÎNER UNE DÉCHARGE ÉLECTRIQUE, UN INCENDIE ET/OU DES BLESSURES GRAVES.

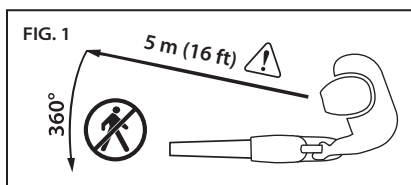


⚠ AVERTISSEMENT : CET OUTIL ÉLECTRIQUE NE DOIT PAS ÊTRE UTILISÉ PAR DES PERSONNES AYANT DES DÉFICIENCES PHYSIQUES, SENSORIELLES OU MENTALES (OU PAR DES ENFANTS) OU QUI NE POSSÈDENT PAS DES CONNAISSANCES SUFFISANTES, À MOINS QU'ELLES AIENT REÇU DES INSTRUCTIONS OU QU'ELLES SOIENT SOUS LA SUPERVISION D'UNE PERSONNE RESPONSABLE DE LEUR SÉCURITÉ. TOUJOURS GARDER LES ENFANTS SOUS SURVEILLANCE POUR S'ASSURER QU'ILS NE JOUENT PAS AVEC L'OUTIL.

CONSERVEZ L'ENSEMBLE DES AVERTISSEMENTS ET INSTRUCTIONS POUR RÉFÉRENCE ULTÉRIEURE. LE TERME « OUTIL ÉLECTRIQUE » UTILISÉ DANS LES AVERTISSEMENTS FAIT RÉFÉRENCE À VOTRE OUTIL FONCTIONNANT SUR SECTEUR (AVEC CORDON) OU AVEC BATTERIE (SANS FIL).

SÉCURITÉ DE LA ZONE DE TRAVAIL

- **Gardez la zone de travail propre et bien éclairée.** Les endroits encombrés ou sombres favorisent les accidents.
- **N'utilisez pas d'outils électriques dans des atmosphères explosives, comme en présence de liquides inflammables, de gaz ou de poussière.** Ces outils produisent des étincelles qui peuvent enflammer la poussière ou les vapeurs.
- **Gardez les enfants et les observateurs à l'écart lorsque vous utilisez un outil électrique (Fig. 1).** Les distractions peuvent vous faire perdre le contrôle.



⚠ MISE EN GARDE : ÉTABLISSEZ UNE ZONE DE SÉCURITÉ DES OBSERVATEURS DE 5 M (16 PI) AVANT D'UTILISER CET ÉQUIPEMENT. La zone de sécurité des observateurs est un cercle de 5 m (16 pi) autour de l'opérateur, dans lequel aucun observateur, enfant ni animal ne doit se trouver.

SÉCURITÉ ÉLECTRIQUE

- **La fiche d'alimentation du chargeur doit correspondre à la prise de courant. Ne modifiez jamais la fiche de quelque façon que ce soit.** Des fiches non modifiées et des prises de courant correspondantes réduiront le risque de choc électrique.
- **N'exposez pas le chargeur à la pluie ou à des conditions humides.** L'eau qui pénètre dans le chargeur augmente le risque de choc électrique.
- **Ne malmenez pas le cordon. N'utilisez jamais le cordon pour transporter, tirer ou débrancher le chargeur.** Gardez le cordon à l'écart de la chaleur, de l'huile, des bords tranchants et des pièces mobiles. Des cordons endommagés ou enchevêtrés augmentent le risque de choc électrique.

SÉCURITÉ PERSONNELLE

- **Restez vigilant, regardez ce que vous faites et faites preuve de bon sens lorsque vous utilisez un outil électrique. N'en utilisez pas lorsque vous êtes fatigué ou sous l'influence de**

drogues, d'alcool ou de médicaments.

Un moment d'inattention lors de l'utilisation d'outils électriques peut entraîner des blessures corporelles graves.

- **Utilisez les équipements de protection individuelle. Portez toujours une protection oculaire.** Lorsqu'ils sont utilisés dans les conditions appropriées, les équipements de protection tels que les masques anti-poussière, les chaussures de sécurité antidérapantes, les pantalons ou les protections auditives réduisent les risques de blessures corporelles.
- **Empêchez tout démarrage intempestif. Assurez-vous que votre doigt n'est pas sur la gâchette à vitesse variable avant d'insérer le bloc de batterie, de ramasser ou de transporter l'appareil.** Transporter des outils électriques avec votre doigt sur l'interrupteur, ou encore, les mettre sous tension alors que l'interrupteur est en position de marche, favorise les accidents.
- **Habillez-vous convenablement. Ne portez pas de vêtements amples ni de bijoux. Gardez vos cheveux, vêtements et gants à l'écart des pièces mobiles.** Les vêtements amples, les bijoux et les cheveux longs peuvent être happés par des pièces mobiles.

UTILISATION ET ENTRETIEN DES OUTILS ÉLECTRIQUES

- **Ne forcez pas l'outil électrique. Utilisez l'outil approprié à votre application.** L'outil électrique approprié réalisera un meilleur travail et de façon plus sûre, à la vitesse pour laquelle il a été conçu.
- **N'utilisez pas l'outil électrique si vous ne pouvez l'allumer ou l'éteindre à l'aide de la gâchette à vitesse variable.** Tout outil électrique qui ne peut être commandé avec l'interrupteur est dangereux et doit être réparé.
- **Débranchez le bloc de batterie de l'outil électrique avant d'effectuer tout réglage, changement d'accessoires ou de l'entreposer.** De telles mesures de sécurité préventive réduisent le risque de démarrage intempestif de l'outil électrique.
- **Entreposez les outils électriques non utilisés hors de portée des enfants et évitez que des personnes ne connaissant pas bien l'outil l'utilisent.** Les outils électriques sont dangereux entre les mains de novices.
- **Entretenez les outils électriques. Vérifiez s'il n'y a pas de mauvais alignement ou de blocage des pièces**

mobiles, de rupture de pièces et toute autre condition qui pourrait nuire au bon fonctionnement de l'outil. S'il est endommagé, faites-le réparer avant de l'utiliser. Consultez la section « Inspection » de ce manuel. De nombreux accidents sont causés par des outils électriques mal entretenus.

- Utilisez l'outil électrique, les accessoires, les embouts, etc. conformément à ces instructions, en tenant compte des conditions de travail et du travail à effectuer. L'utilisation de l'outil pour des opérations différentes de celles prévues pourrait entraîner une situation dangereuse.

UTILISATION ET ENTRETIEN DES OUTILS À BATTERIE

- Ne rechargez l'outil qu'à l'aide du chargeur spécifié par le fabricant. Un chargeur indiqué pour un certain type de bloc de batterie peut entraîner un risque d'incendie en cas d'utilisation avec un autre bloc de batterie.
- N'utilisez les outils électriques qu'avec les blocs de batterie spécifiquement indiqués. L'utilisation de tout autre bloc de batterie peut entraîner un risque d'incendie ou de blessure.
- Hors utilisation, conservez le bloc de batterie à l'écart des autres objets métalliques tels que les trombones, pièces de monnaie, clés, clous, vis et autres petits objets métalliques pouvant établir une connexion entre les deux bornes. Provoquer un court-circuit entre les bornes de la batterie peut entraîner des brûlures ou un incendie.
- En cas d'utilisation abusive, la batterie peut éjecter une certaine quantité de liquide; évitez tout contact. En cas de contact accidentel, rincez à l'eau. En cas de contact avec les yeux, consultez également un médecin. Le liquide éjecté peut entraîner des irritations ou des brûlures.

RÉPARATIONS

Faites réparer votre outil électrique et son chargeur par un réparateur qualifié utilisant uniquement des pièces de rechange identiques. Cela garantira le maintien de la sécurité de l'outil. Toute tentative d'entretien ou de réparation qui dépasse la portée de ce manuel, ou ne pas effectuer l'inspection et le nettoyage recommandés, peut entraîner le refus de réclamations au titre de la garantie.

AVERTISSEMENTS DE SÉCURITÉ RELATIFS AU SOUFFLEUR



⚠ AVERTISSEMENT : L'UTILISATION D'UN SOUFFLEUR MAL ASSEMBLÉ PEUT ENTRAÎNER DES BLESSURES CORPORELLES GRAVES. UTILISEZ UNIQUEMENT CET OUTIL APRÈS QU'IL AIT ÉTÉ CORRECTEMENT ASSEMBLÉ, CONFORMÉMENT AUX INSTRUCTIONS DE LA SECTION « DÉBALLAGE ET ASSEMBLAGE » DE CE MANUEL.

⚠ AVERTISSEMENT : LE SOUFFLEUR PEUT ÊTRE DANGEREUX ENTRE LES MAINS DE NOVICES. INTERDISEZ AUX ENFANTS ET À TOUTE PERSONNE QUI N'EST PAS FAMILIÈRE AVEC LE FONCTIONNEMENT DU SOUFFLEUR, OU AVEC CES INSTRUCTIONS, D'UTILISER LE SOUFFLEUR.

⚠ AVERTISSEMENT : L'UTILISATION DU SOUFFLEUR COMME S'IL S'AGISSAIT D'UN JOUET PEUT ENTRAÎNER DES BLESSURES CORPORELLES. NE POINTEZ PAS LE SOUFFLEUR VERS DES GENS OU DES ANIMAUX, N'INSÉREZ JAMAIS D'OBJETS PAR LA BUSE ET NE SOUFFLEZ JAMAIS DE DÉBRIS EN DIRECTION D'OBSERVATEURS OU D'ANIMAUX.

⚠ AVERTISSEMENT : UNE MAUVAISE UTILISATION PEUT CAUSER DES BLESSURES OU PROVOQUER DES DOMMAGES AUX BIENS. L'OPÉRATEUR EST RESPONSABLE DES ACCIDENTS OU DES DOMMAGES AUX BIENS RÉSULTANT DU NON-RESPECT DE CES INSTRUCTIONS.

⚠ AVERTISSEMENT : LE VENTILATEUR SITUÉ ENTRE L'ENTRÉE D'AIR ET LES OUVERTURES DE SORTIE TOURNE LORSQUE LE MOTEUR FONCTIONNE. AFIN DE RÉDUIRE LE RISQUE DE BLESSURES PAR CONTACT AVEC LE VENTILATEUR, N'UTILISEZ JAMAIS LE SOUFFLEUR SANS TUBE DE SOUFFLEUR ADÉQUATEMENT MONTÉ OU SI L'ÉCRAN PROTECTEUR EST ABSENT OU ENDOMMAGÉ.

⚠ AVERTISSEMENT : NE TENTEZ PAS DE FAIRE FONCTIONNER LE SOUFFLEUR S'IL EST ENDOMMAGÉ OU QU'IL A ÉTÉ ALTÉRÉ. NE MODIFIEZ JAMAIS CET OUTIL ÉLECTRIQUE DE QUELQUE MANIÈRE QUE CE SOIT. SI VOUS L'ÉCHAPPEZ, INSPECTEZ-LE TOUJOURS AVANT DE REPRENDRE LE TRAVAIL. VÉRIFIEZ PLUS PARTICULIÈREMENT LE BON FONCTIONNEMENT DES COMMANDES ET DES DISPOSITIFS DE SÉCURITÉ. CONSULTEZ LA SECTION « INSPECTION » DE CE MANUEL. NE CONTINUEZ PAS D'UTILISER CET APPAREIL S'IL EST ENDOMMAGÉ.

⚠ AVERTISSEMENT : RESPIRER DE LA POUSSIÈRE D'AMIANTE EST DANGEREUX ET PEUT ENTRAÎNER DES MALADIES GRAVES, VOIRE MORTELLES, DES MALADIES RESPIRATOIRES OU LE CANCER.

L'UTILISATION ET L'ÉLIMINATION DE PRODUITS CONTENANT DE L'AMIANTE SONT RIGOREUSEMENT RÉGLEMENTÉES PAR L'OSHA ET PAR L'ENVIRONMENTAL PROTECTION AGENCY (EPA) DES ÉTATS-UNIS. SI VOUS AVEZ DES RAISONS DE CROIRE QUE VOUS POURRIEZ SOUFFLER OU AUTREMENT DISTRIBUER DE L'AMIANTE, COMMUNIQUEZ IMMÉDIATEMENT AVEC L'EPA, AVEC VOTRE EMPLOYEUR OU AVEC UN REPRÉSENTANT LOCAL DE L'OSHA.

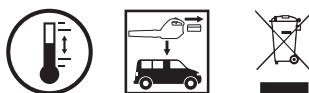
⚠ AVERTISSEMENT : LA POUSSIÈRE CONTENANT DE LA SILICE PEUT AUSSI CONTENIR DE LA SILICE CRISTALLINE. LA SILICE EST UN COMPOSANT DE BASE DU SABLE, DU QUARTZ, DE LA BRIQUE, DE L'ARGILE, DU GRANIT ET DE PLUSIEURS AUTRES MINÉRAUX ET PIERRES, DONT DES PRODUITS DE MAÇONNERIE ET DE BÉTON. L'INHALATION RÉPÉTÉE ET/OU SUBSTANTIELLE DE PARTICULES DE SILICE CRISTALLINE EN SUSPENSION PEUT CAUSER DES MALADIES RESPIRATOIRES GRAVES, VOIRE MORTELLES, INCLUANT LA SILICOSE. DE PLUS, L'ÉTAT DE LA CALIFORNIE ET QUELQUES AUTRES AUTORITÉS ONT RÉPERTORIÉ LA SILICE CRISTALLINE ALVÉOLAIRE COMME UNE SUBSTANCE CONNUE COMME CANCÉRIGÈNE. EN PRÉSENCE DE TELLES MATIÈRES, APPLIQUEZ TOUJOURS LES PRÉCAUTIONS RESPIRATOIRES APPROUVÉES PAR LE NIOSH/LA MSHA EN LIEN AVEC LE TYPE DE POUSSIÈRE EN PRÉSENCE.

⚠ MISE EN GARDE : LES OBJETS DANS LE VENTILATEUR PEUVENT ENDOMMAGER LE SOUFFLEUR OU ÊTRE PROJETÉS PAR LA BUSE. N'INSÉREZ

AUCUN OBJET PAR L'ENTRÉE D'AIR.

⚠ MISE EN GARDE : L'INHALATION DE CERTAINES POUSSIÈRES, TOUT PARTICULIÈREMENT LES MOISSURES OU LE POLLEN, PEUVENT ENTRAÎNER UNE RÉACTION ALLERGIQUE OU ASTHMATIQUE CHEZ LES PERSONNES SENSIBLES. L'INHALATION RÉPÉTÉE OU DE QUANTITÉS SUBSTANTIELLES DE POUSSIÈRE OU D'AUTRES CONTAMINANTS AÉRIENS, PLUS PARTICULIÈREMENT CEUX DONT LA DIMENSION DES PARTICULES EST PLUS PETITE, PEUT CAUSER DES MALADIES RESPIRATOIRES OU D'AUTRES MALADIES. LORSQUE C'EST POSSIBLE, CONTRÔLEZ LA POUSSIÈRE À LA SOURCE. FAITES FONCTIONNER L'APPAREIL DE SORTE QUE LE VENT OU L'AIR PRODUIT PAR LE SOUFFLEUR PROJETTE TOUTE POUSSIÈRE LOIN DE L'OPÉRATEUR. SUIVEZ LES RECOMMANDATIONS DE L'EPA/L'OSHA/LE NIOSH ET CELLES DES ASSOCIATIONS PROFESSIONNELLES EN CE QUI CONCERNE LA POUSSIÈRE (« MATIÈRES PARTICULAIRES »). LORSQUE LES POUSSIÈRES NE PEUVENT ÊTRE GARDÉES AU NIVEAU DU SOL OU PRÈS DU NIVEAU DU SOL, L'OPÉRATEUR ET TOUT OBSERVATEUR DOIT PORTER UN RESPIRATEUR HOMOLOGUÉ PAR LE NIOSH/LA MSHA POUR LE TYPE DE POUSSIÈRE EN PRÉSENCE.

ENTREPOSAGE, TRANSPORT ET ÉLIMINATION



ENTREPOSAGE DU SOUFFLEUR

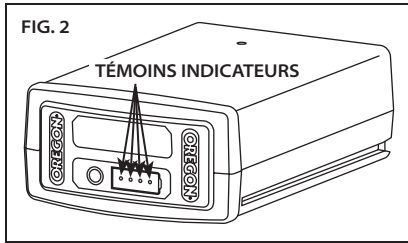
- Retirez le bloc de batterie du souffleur.
- Nettoyez bien le souffleur.
- Entrez-le dans un lieu sec.
- Tenez-le hors de portée des enfants et des animaux.

ENTREPOSAGE DU BLOC DE BATTERIE

Lorsque vous entreposez le bloc de batterie pendant plus de neuf mois, suivez les directives ci-dessous :

- Retirez le bloc de batterie du souffleur.
- Entrez-le dans un lieu frais et sec.
- Tenez-le hors de portée des enfants et des animaux.

- Pour prolonger la durée de vie des batteries, n'entreposez jamais de blocs de batterie dans un état complètement déchargé (aucun témoin allumé) (Fig. 2).



- Pour garantir une durée de vie maximale de la batterie, assurez-vous de recharger le bloc de batterie une fois par an ou quand un seul voyant s'allume sur l'indicateur à DEL.
- Entreposez-le à une température comprise entre -20 °C et 30 °C (-4 °F et 86 °F).

ENTREPOSAGE DU CHARGEUR

- Débranchez le chargeur de la source d'alimentation.
- Entreposez-le dans un lieu sec.
- Tenez-le hors de portée des enfants et des animaux.

Pour plus de renseignements, consultez la section « Entretien et nettoyage ».

TRANSPORT DU SOUFFLEUR

- Retirez le bloc de batterie du souffleur.
- Les outils peuvent bouger pendant le transport. Assurez-vous que l'outil est sécurisé et qu'il ne peut ni tomber ni entrer en contact avec des personnes ou des biens.

TRANSPORT DU BLOC DE BATTERIE

Respectez les réglementations locales et nationales lors du transport de batteries au lithium-ion. Un étiquetage spécial peut être requis.

ÉLIMINATION DU SOUFFLEUR ET DU CHARGEUR

Les produits OREGON^{MD} sont conçus et fabriqués avec des matériaux et des composants de haute qualité qui peuvent être recyclés et réutilisés. Veuillez vous débarrasser de cet équipement en respectant l'environnement, dans un centre de collecte/recyclage des déchets local.

ÉLIMINATION DU BLOC DE BATTERIE

Ne pas jeter les blocs de batterie dans les ordures ménagères ni les incinérer. Les organismes locaux de récupération et de recyclage connaissent les moyens d'élimination et de recyclage adéquats. Les batteries peuvent être récupérées aux États-Unis et au Canada par Rechargeable Battery Recycling Corporation. OREGON^{MD} a déjà défrayé le coût de recyclage de vos batteries. Rapporter vos batteries épuisées aux détaillants participant au programme ou à votre centre de recyclage. La liste des sites de récupération et d'autres renseignements sont affichés à www.call2recycle.org ou encore vous pouvez composer le 1-800-8BATTERY.



SÉCURITÉ DE LA BATTERIE

⚠ AVERTISSEMENT : L'ENTRETIEN INAPPROPRIÉ DE LA BATTERIE PEUT PROVOQUER UNE FUITE DE PRODUITS CHIMIQUES DANGEREUX, UNE SURCHAUFFE, UNE ÉMISSION DE FUMÉE; LA BATTERIE PEUT ÉGALEMENT ÉCLATER, EXPLOSER ET/OU S'ENFLAMMER. RESPECTEZ CES RÈGLES DE SÉCURITÉ.

⚠ MISE EN GARDE : NE JETEZ PAS LE BLOC DE BATTERIE AU FEU OU AUX ORDURES. ENVOYEZ LES BLOCS DE BATTERIES AU LITHIUM-ION DANS UN CENTRE DE RECYCLAGE AUTORISÉ.

IMPORTANT : L'EXPOSITION À UNE CHALEUR EXCESSIVE PEUT ENTRAÎNER UNE PERTE DE CAPACITÉ ET/OU RÉDUIRE SA DURÉE UTILE. NE PAS EXPOSER LA BATTERIE À UNE CHALEUR EXCESSIVE (PAR EXEMPLE À L'INTÉRIEUR D'UN VÉHICULE PAR TEMPS CHAUD).

- Ne tentez pas de recharger un bloc de batterie non rechargeable.
- Ne pas démonter ou modifier le bloc de batteries. Cela peut endommager les dispositifs de sécurité.

- Ne reliez pas les bornes positive (+) et négative (-) avec des objets métalliques et n'entrez pas le bloc de batterie avec des objets métalliques tels que des pièces de monnaie ou des vis. Cela peut entraîner un court-circuit et générer assez de chaleur pour provoquer des brûlures.
- N'incinerez pas le bloc de batterie et ne l'exposez pas à une chaleur excessive. Cela peut faire fondre l'isolation ou endommager les dispositifs de sécurité.
- N'utilisez pas, ne rechargez pas et n'entrez pas la batterie près d'une source de chaleur supérieure à 80 °C (176 °F). Cela peut provoquer une surchauffe et un court-circuit interne.
- Ne l'exposez pas à des conditions extrêmement humides. Cela peut endommager les dispositifs de sécurité, produire un courant et une tension de charge très élevés et conduire à des réactions chimiques anormales.
- Utilisez exclusivement le chargeur spécialement conçu pour le bloc de batterie et suivez les consignes de sécurité décrites dans la section « Sécurité du chargeur ». L'utilisation d'un autre chargeur peut endommager les dispositifs de sécurité, produire un courant et une tension de charge très élevés et conduire à des réactions chimiques anormales.
- N'utilisez pas les blocs de batterie de la marque OREGON^{MD} dans des outils d'une autre marque.
- Ne frappez pas, ne percez pas et ne jetez pas le bloc de batterie; n'en utilisez pas un qui soit endommagé ou déformé.
- Si la recharge échoue, ne la retentez pas.
- Si le bloc de batterie dégage une odeur, devient chaud, se décolore, se déforme ou s'il semble anormal de quelque façon que ce soit pendant l'utilisation, la recharge ou l'entreposage, retirez-le immédiatement du souffleur ou du chargeur.
- Tout liquide s'écoulant de la batterie est corrosif, peut endommager les yeux ainsi que la peau et peut être toxique s'il est avalé.

SÉCURITÉ DU CHARGEUR

INSTRUCTIONS DE SÉCURITÉ IMPORTANTES

⚠ AVERTISSEMENT : RISQUE DE DÉCHARGE ÉLECTRIQUE. ASSUREZ-VOUS QUE LE BLOC D'ALIMENTATION ET LE CORDON N'EMPÊCHENT PAS LE COUVERCLE DE LA PRISE DE SE FERMER COMPLÈTEMENT.

IMPORTANT : CE CHARGEUR NE DOIT PAS ÊTRE UTILISÉ PAR DES PERSONNES AYANT DES DÉFICIENCES PHYSIQUES, SENSORIELLES OU MENTALES (OU PAR DES ENFANTS) OU QUI NE POSSÈDENT PAS DES CONNAISSANCES SUFFISANTES, À MOINS QU'ELLES AIENT REÇU DES INSTRUCTIONS OU QU'ELLES SOIENT SOUS LA SUPERVISION D'UNE PERSONNE RESPONSABLE DE LEUR SÉCURITÉ. TOUJOURS GARDER LES ENFANTS SOUS SURVEILLANCE POUR ASSURER QU'ILS NE JOUENT PAS AVEC LE CHARGEUR.

IMPORTANT : UTILISEZ CE CHARGEUR UNIQUEMENT AVEC LE CORDON D'ALIMENTATION FOURNI, EN VOUS ASSURANT QUE LA FICHE D'ENTRÉE S'ADAPTE CORRECTEMENT À LA PRISE DE SORTIE.

Les précautions de base doivent toujours être appliquées lors de l'utilisation de produits électriques, notamment les suivantes :

- **Lisez et suivez toutes les instructions de sécurité avant utilisation.** Lisez et suivez toutes les instructions figurant sur le produit ou fournies avec celui-ci.
- **Conservez ces instructions.**
- **N'utilisez pas de rallonge.**
- **Des cordons endommagés ou enchevêtrés augmentent le risque de choc électrique.** Ne malmenez pas le cordon. N'utilisez jamais le cordon pour transporter, tirer ou débrancher l'outil électrique. Gardez le cordon à l'écart de la chaleur, de l'huile, des bords tranchants et des pièces mobiles.
- **N'exposez pas le chargeur à la pluie.** Pour une utilisation en intérieur uniquement.
- **Ne l'utilisez pas à moins de 3 m (10 pi) d'une piscine.**

DÉBALLAGE ET MONTAGE

DÉBALLAGE

CONTENU DE LA BOÎTE

Le souffleur nécessite un assemblage avant utilisation. Les articles suivants sont livrés avec le souffleur :

- Souffleur
- Buse
- Harnais
- Chargeur et cordon d'alimentation (si équipé)
- Batterie (si équipé)

Après avoir retiré le souffleur de la boîte, examinez-le avec attention pour vous assurer qu'il n'a subi aucun dommage pendant le transport et qu'aucune pièce ne manque. Si des pièces sont endommagées ou manquantes, n'utilisez pas le souffleur. Afin d'obtenir des pièces de rechange, communiquez avec le Système d'outils à batterie OREGON^{MD} en appelant le 888 313-8665.

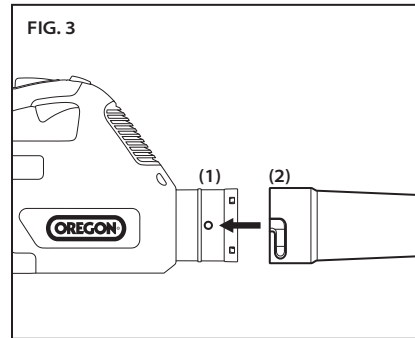
ASSEMBLAGE

⚠ AVERTISSEMENT : N'UTILISEZ LE SOUFFLEUR QU'AVEC LA BUSE CORRECTEMENT ASSEMBLÉE.

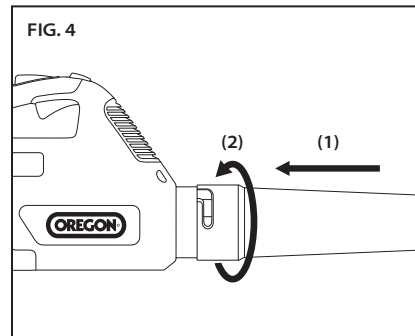
⚠ AVERTISSEMENT : UN OUTIL FONCTIONNANT À BATTERIE, AVEC LE BLOC DE BATTERIE INSÉRÉ, PEUT DÉMARRER ACCIDENTELLEMENT. RETIREZ LA BATTERIE AVANT TOUTE OPÉRATION D'ASSEMBLAGE OU D'ENTRETIEN.

Avant d'utiliser le souffleur, fixez la buse au tube du souffleur.

- Orientez la buse pour que les deux languettes (1) du tube du souffleur s'alignent avec les deux fentes (2) sur la buse (Fig. 3).



- Enfoncez la buse dans le tube du souffleur (1), puis effectuez une rotation d'un quart de tour (2) pour la bloquer en position (Fig. 4).



FONCTIONNEMENT DU SOUFFLEUR

BLOC DE BATTERIE ET CHARGEUR

▲ AVERTISSEMENT : POUR RÉDUIRE LES RISQUES DE CHOCS, NE RECHARGEZ PAS LE BLOC DE BATTERIE SOUS LA PLUIE.

INDICATEUR DE NIVEAU DE CHARGE DE LA BATTERIE

La batterie au lithium-ion est munie d'un indicateur de niveau de charge à DEL. Pour vérifier le niveau de charge du bloc de batterie, appuyez sur le bouton d'indication qui se trouve sur sa face avant (Fig. 5).

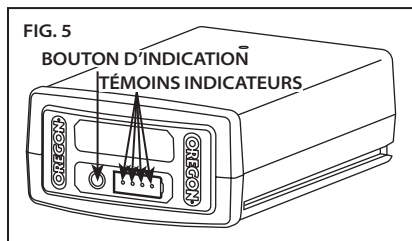
Aucun témoin allumé : rechargez.

Un témoin vert fixe :
moins de 25 % chargé.
Rechargez le bloc de batterie avant de l'utiliser.

Deux témoins verts fixes :
26 à 50 % chargé.

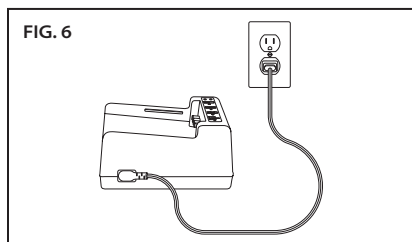
Trois témoins verts fixes :
51 à 75 % chargé.

Quatre témoins verts fixes :
76 à 100 % chargé.



BRANCHEMENT DU CHARGEUR

Si le chargeur comprend un cordon d'alimentation séparé, branchez le cordon du chargeur au chargeur et à la prise de courant appropriée (Fig. 6).



Utilisez uniquement le cordon amovible fourni avec le chargeur. Lors de la première utilisation, vérifiez que le type de fiche correspond à la prise de courant.

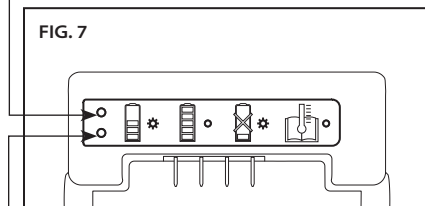
INDICATEUR DEL DE L'ÉTAT DE CHARGE DU CHARGEUR

Le chargeur de batterie est équipé d'un indicateur d'état de charge à DEL qui indique l'état de la charge ainsi que les conditions pouvant retarder ou empêcher la recharge (Fig. 7).

Remarque : aucun témoin ne sera visible tant qu'un bloc de batterie ne sera pas inséré.

Témoin orange clignotant : présence d'une anomalie. Plusieurs causes sont possibles. Consultez la section « Dépannage » de ce manuel.

Témoin orange fixe : la température du bloc de batterie dépasse la plage acceptable (0 °C à 40 °C / 32 °F à 104 °F). Laissez le bloc de batterie atteindre la plage de températures acceptable avant la recharge. Le bloc peut être laissé sur le chargeur pendant que la température s'ajuste. La recharge commence lorsque la bonne température est atteinte.



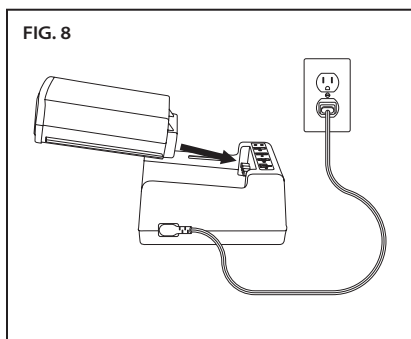
Témoin vert clignotant : le bloc de batterie se recharge.

Témoin vert fixe : le bloc de batterie est prêt à l'emploi.

RECHARGE DU BLOC DE BATTERIE

⚠ AVERTISSEMENT : LE NON-RESPECT DES PROCÉDURES DE RECHARGE CORRECTES PEUT ENTRAÎNER UNE INTENSITÉ DE COURANT ET UNE TENSION EXCESSIVES, UNE PERTE DE CONTRÔLE PENDANT LA RECHARGE, UNE FUITE DE PRODUITS CHIMIQUES DANGEREUX, UNE GÉNÉRATION DE CHALEUR, UN ÉCLATEMENT OU UN INCENDIE. SUIVEZ CES INSTRUCTIONS DE RECHARGE.

Avec le cordon du chargeur connecté au chargeur et branché dans une prise électrique, alignez les rainures de la batterie avec les rails situés sur le chargeur et faites glisser le bloc de batterie sur le chargeur jusqu'à ce qu'il soit complètement installé (Fig. 8).

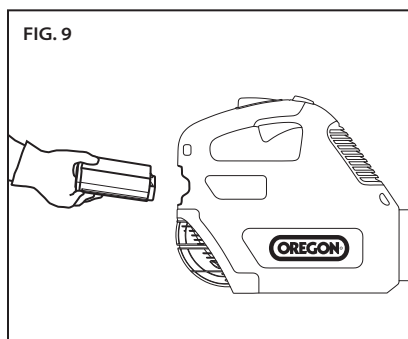


Vérifiez l'indicateur d'état de charge pour connaître les conditions de charge.

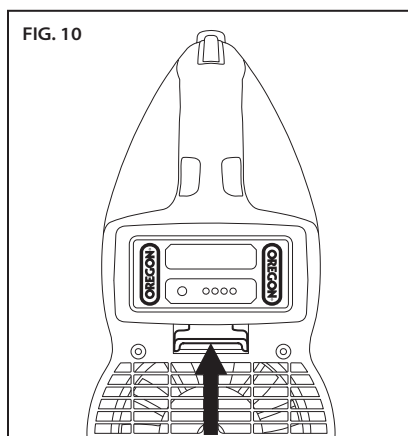
INSERTION ET LIBÉRATION DU BLOC DE BATTERIE

N'utilisez que les blocs de batterie de la marque OREGON^{MD} spécifiés dans ce mode d'emploi.

Alignez la rainure de la batterie avec les rails situés à l'intérieur du port de batterie. Insérez fermement le bloc de batterie dans le port de batterie du souffleur, en appuyant vers l'avant jusqu'à entendre le déclic produit lorsqu'il s'enclenche (Fig. 9).



Pour retirer le bloc de batterie, soulevez le levier de dégagement de la batterie, saisissez les côtés de la batterie et retirez-la (Fig. 10).



FONCTIONNEMENT GÉNÉRAL



⚠ AVERTISSEMENT : AFIN DE RÉDUIRE LE RISQUE DE BLESSURE, PORTEZ TOUJOURS DES BOTTES, UN PANTALON, ET DES PROTECTIONS OCULAIRES ET AUDITIVES.

⚠ AVERTISSEMENT : POUR RÉDUIRE LES RISQUES DE BLESSURES, NE POINTEZ PAS LE SOUFFLEUR EN DIRECTION DE L'OPÉRATEUR, D'OBSERVATEURS OU D'ANIMAUX.

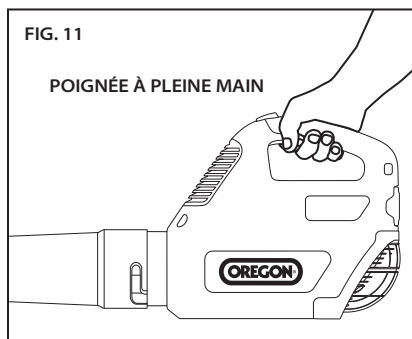
⚠ AVERTISSEMENT : AFIN DE RÉDUIRE LE RISQUE DE BLESSURES, N'ESSEYEZ PAS D'ATTEINDRE DES ZONES HORS DE PORTÉE OU DE MONTER SUR UNE ÉCHELLE, UN ESCABEAU OU TOUTE POSITION ÉLEVÉE QUI N'EST PAS TOTALEMENT SÉCURISÉE.

TEMPÉRATURE DE FONCTIONNEMENT

Ce souffleur est conçu pour fonctionner à une température comprise entre 0 °C et 40 °C (32 °F et 104 °F).

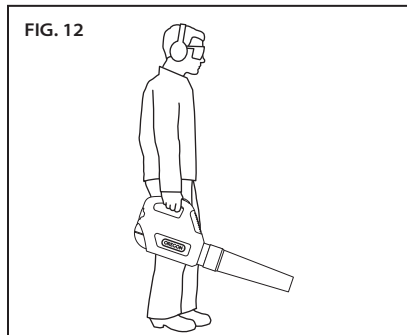
PRISE

Le souffleur peut être opéré avec la main gauche ou avec la main droite. Saisissez la poignée avec la main et enroulez bien les doigts et le pouce autour de la poignée (Fig. 11).



POSITION STABLE

Tenez-vous sur vos deux pieds sur une surface ferme, en répartissant équitablement le poids sur ceux-ci (Fig. 12).

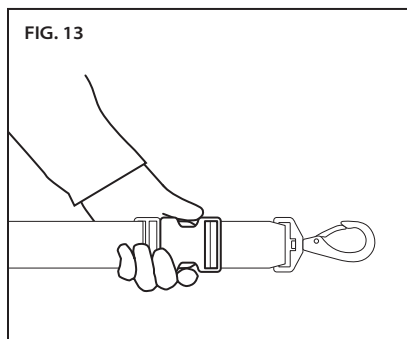


Faites preuve de prudence dans les escaliers, et travaillez lentement de manière à toujours être en position stable. Ne courez pas lorsque vous utilisez le souffleur.

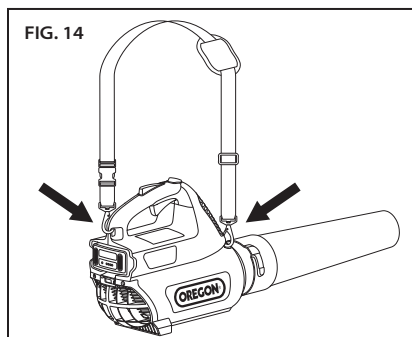
UTILISATION DU HARNAIS

Le harnais contribue à la répartition du poids du souffleur sur le corps, et permet également d'augmenter le niveau de confort lors d'une utilisation prolongée.

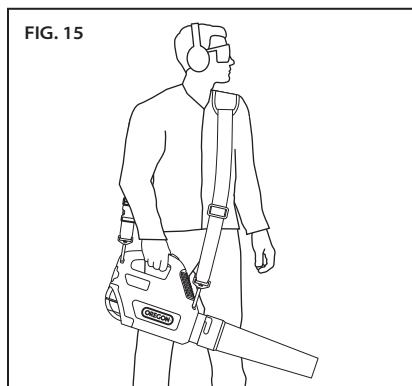
Ce harnais est équipé d'un dispositif à dégagement rapide qui peut être actionné d'une seule main (Fig. 13).



- Fixez les pinces du harnais aux anneaux de fixation du souffleur en prenant soin de placer la boucle de réglage à l'avant et le dispositif de dégagement rapide au dos (Fig. 14).



- Passez le harnais par-dessus la tête et déposez-le sur l'épaule opposée à la main tenant la gâchette.
- Réglez la longueur de la courroie pour obtenir une position d'utilisation confortable (Fig. 15).



ARRÊT DU SOUFFLEUR

Relâchez la gâchette à vitesse variable pour arrêter le souffleur.

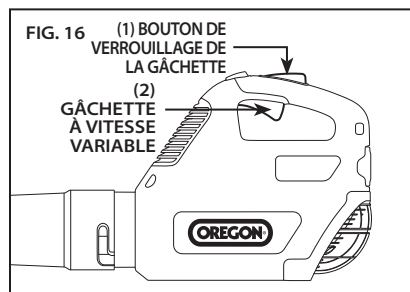
DÉMARRAGE DU SOUFFLEUR

⚠ AVERTISSEMENT : POUR RÉDUIRE LES RISQUES DE BLESSURE, NE FAUSSEZ JAMAIS LE VERROUILLAGE EN COLLANT, EN CÂBLANT OU EN ATTACHANT LE VERROUILLAGE DE GÂCHETTE.

Si vous utilisez le harnais, fixez les pinces du harnais aux anneaux de fixation et enfillez-le.

Saisissez fermement la poignée de manière à ce que la paume de la main appuie sur le bouton de verrouillage de gâchette (1).

- Pour démarrer le souffleur, appuyez sur la gâchette à vitesse variable (2) (Fig. 16). Appuyez plus fermement sur la gâchette à vitesse variable pour augmenter la vitesse et la puissance du souffleur.

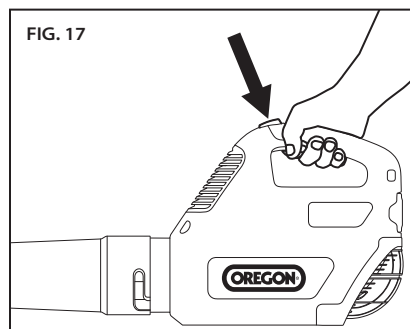


UTILISATION DU MODE TURBO

Le mode turbo augmente la vitesse et la puissance du souffleur au-delà de la vitesse la plus élevée qu'il est possible d'atteindre en actionnant la gâchette à vitesse variable (la fonction turbo n'est pas offerte avec la batterie de B500S 1,25 Ah).

Cette puissance supplémentaire peut être utilisée pour déplacer des matières plus lourdes, humides ou épaisses qui sont autrement difficiles à déplacer.

Tout en maintenant la gâchette à vitesse variable enfoncée, appuyez sur le bouton turbo et maintenez-le enfoncé (Fig. 17).

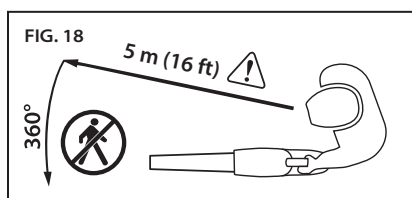


L'utilisation prolongée du mode turbo diminuera le temps d'utilisation par charge de batterie.

FONCTIONNEMENT DU SOUFFLEUR

⚠ AVERTISSEMENT : AFIN DE RÉDUIRE LE RISQUE DE BLESSURE, PORTEZ DES BOTTES, UN PANTALON, ET DES PROTECTIONS OCULAIRES ET AUDITIVES APPROPRIÉS.

⚠ MISE EN GARDE : ÉTABLISSEZ UNE ZONE DE SÉCURITÉ DES OBSERVATEURS DE 5 M (16 PI) AVANT D'UTILISER CET ÉQUIPEMENT. LA ZONE DE SÉCURITÉ DES OBSERVATEURS EST UN CERCLE DE 5 M (16 PI) AUTOUR DE L'OPÉRATEUR, DANS LEQUEL AUCUN OBSERVATEUR, ENFANT, NI ANIMAL NE DOIT SE TROUVER (FIG. 18).



⚠ MISE EN GARDE : RISQUE DE PROJECTION D'OBJETS. NE POINTEZ PAS LE SOUFFLEUR EN DIRECTION DE PERSONNES OU D'ANIMAUX.

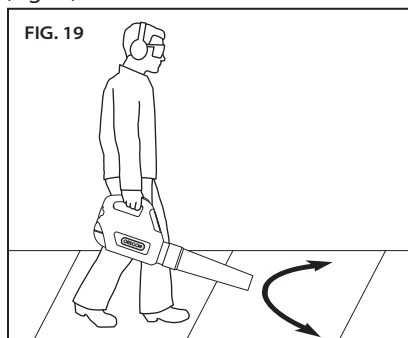
IMPORTANT : OBSERVEZ TOUTES LES RÈGLES ET RÉGLEMENTATIONS MUNICIPALES ET NATIONALES RELATIVES AUX SOUFFLEURS.

IMPORTANT : LE SOUFFLEUR FONCTIONNE PLUS EFFICACEMENT LORSQUE LE FLUX D'AIR N'EST PAS OBSTRUÉ. EMPÊCHEZ LES DÉBRIS D'OBSTRUER L'ENTRÉE D'AIR.

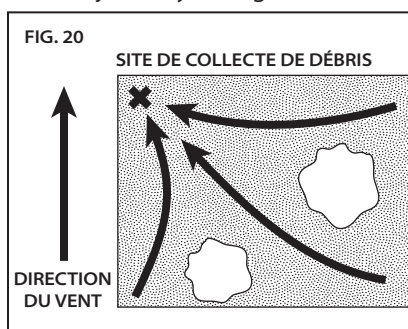
IMPORTANT : LE SOUFFLAGE DE MATIÈRES FINES SUR DES SURFACES LISSES PENDANT UNE LONGUE PÉRIODE PEUT ENTRAÎNER UNE ACCUMULATION D'ÉLECTRICITÉ STATIQUE. DES PAUSES FRÉQUENTES CONTRIBUENT À ÉVITER L'ACCUMULATION D'ÉLECTRICITÉ STATIQUE.

Pour obtenir la meilleure performance et faire fonctionner le souffleur en toute sécurité, suivez les instructions suivantes :

- Avant de l'utiliser, inspectez le souffleur comme décrit à la section « Entretien et nettoyage ».
- Avant de l'utiliser, déterminez où les débris doivent être recueillis.
- Prenez souvent des pauses pour éviter la fatigue et empêcher l'accumulation d'électricité statique dans les environnements poussiéreux.
- Démarrez le souffleur à basse vitesse et travaillez lentement et déplacez doucement la buse d'un côté à l'autre (Fig. 19).



- Déplacez les débris dans une seule direction, vers le lieu de collecte, pour éviter de souffler les débris dans des zones déjà nettoyées (Fig. 20).



- Augmentez la vitesse du souffleur pour déplacer des matières plus lourdes ou pour nettoyer la zone plus rapidement.

Faites preuve d'une grande prudence lorsque vous portez une protection auditive, puisqu'il sera alors difficile d'entendre les observateurs. Faites attention aux petits animaux, faites preuve de prudence dans les angles morts et les entrées de porte, puis éteignez et cessez d'utiliser l'appareil lorsque quelqu'un s'approche de vous.

Faites attention en présence de véhicules et de fenêtres.

Faites preuve d'une grande prudence lorsque vous utilisez l'appareil près du sol pour éviter que des objets ne soient aspirés par l'entrée d'air ou éjectés par la buse.

ASTUCES D'UTILISATION

Ces astuces vous aideront à tirer le meilleur parti du souffleur :

- Utilisez uniquement les accessoires OREGON^{MD}.
- Afin de minimiser la quantité de poussière, soufflez d'abord avec la buse proche du sol, et éloignez-la progressivement.
- Dans les conditions poussiéreuses, portez un masque anti-poussières pour augmenter votre confort pendant le travail.
- Pour développer une bonne technique, exercez-vous sur de petites quantités d'herbe coupée, une boule de papier ou toute autre matière légère qui est facile à nettoyer.
- Exercez-vous à différentes combinaisons de mouvements de buse et de vitesses afin de déterminer ce qui fonctionne le mieux selon la surface et la matière à nettoyer.
- Dans les zones extrêmement poussiéreuses, vaporisez de l'eau sur la surface pour minimiser le déplacement de la poussière.
- Avant de souffler, utilisez un balai ou un râteau pour déloger les débris lourds.
- Ne travaillez pas dans le sens contraire du vent. Déplacer les débris dans le sens du vent est plus facile et produit moins de poussière.

ENTRETIEN ET NETTOYAGE

SOUFFLEUR



⚠ AVERTISSEMENT : UN OUTIL FONCTIONNANT À BATTERIE, AVEC LE BLOC DE BATTERIE INSÉRÉ, PEUT DÉMARRER ACCIDENTELLEMENT. RETIREZ LA BATTERIE DU SOUFFLEUR AVANT D'INSPECTER, DE NETTOYER OU D'EFFECTUER UN ENTRETIEN.

⚠ MISE EN GARDE : INSPECTEZ RÉGULIÈREMENT LE SOUFFLEUR. UNE INSPECTION RÉGULIÈRE EST LA PREMIÈRE ÉTAPE D'UN ENTRETIEN ADÉQUAT. SUIVEZ LES DIRECTIVES CI-DESSOUS AFIN DE MAXIMISER LA SÉCURITÉ ET LA SATISFACTION. FAITES REMPLACER IMMÉDIATEMENT TOUTES LES PIÈCES ENDOMMAGÉES OU EXCESSIVEMENT USÉES.

⚠ MISE EN GARDE : LORSQUE VOUS NETTOYEZ LE SOUFFLEUR, NE L'IMMERGEZ PAS DANS L'EAU OU DANS D'AUTRES LIQUIDES. N'UTILISEZ PAS DE MACHINE À PRESSION POUR NETTOYER LE SOUFFLEUR.

INSPECTION

Avant chaque utilisation et si le souffleur est tombé, inspectez les pièces suivantes :

- Poignée : La poignée ne doit pas comporter de craquelure ni tout autre défaut. Elle doit être propre, sèche, exempte d'huile, d'humidité ou de toute autre substance pouvant empêcher une prise ferme.
- Prise de refroidissement des composants électroniques : La prise de refroidissement des composants électroniques doit être dégagée et exempte de débris.
- Bloc de batterie : Le bloc de batterie doit être propre et sec et ne présenter aucun signe de perforation, d'impact ou d'autres dommages. Les contacts doivent être dégagés, secs et exempts de débris.

- Borne de batterie : Le port et les contacts de la batterie doivent être dégagés, secs et exempts de débris.
- Gâchette à vitesse variable : La gâchette à vitesse variable doit fonctionner sans accroc et la vitesse du souffleur doit augmenter lorsqu'une pression supérieure y est appliquée.
- Bouton de verrouillage de la gâchette : La gâchette à vitesse variable ne doit pas permettre le démarrage du moteur si le bouton n'est pas enfoncé.
- Écran protecteur : L'écran protecteur doit être exempt de fissures ou d'autres défauts et doit recouvrir correctement l'entrée d'air pour empêcher les débris d'y pénétrer.
- Tube du souffleur : Le tube du souffleur doit être exempt de fissures ou d'autres défauts et doit bien s'ajuster à la buse.
- Buse : La buse doit être exempte de fissures ou d'autres défauts et doit bien s'ajuster sur le tube du souffleur.
- Harnais : Le tissu de la courroie du harnais ne doit pas être coupée ou usée, et la boucle de réglage, ainsi que les pinces, doivent être exemptes de fissures.
- Vis : Les vis doivent être serrées et maintenir chaque composant en place.

NETTOYAGE

⚠ MISE EN GARDE : LORSQUE VOUS NETTOYEZ LE SOUFFLEUR, NE L'IMMERGEZ PAS DANS L'EAU OU DANS D'AUTRES LIQUIDES. N'UTILISEZ PAS DE MACHINE À PRESSION POUR NETTOYER LE SOUFFLEUR.

- Retirez la batterie.
- Retirez tout débris de l'écran protecteur pour veiller à ce que l'air s'écoule sans restriction.
- Nettoyez tout débris de la buse.
- Nettoyez tout débris du port de la batterie et essuyez les contacts.
- Retirez la poussière et les brins d'herbe du souffleur.

BLOC DE BATTERIE

IMPORTANT : LA BATTERIE NE CONTIENT AUCUNE PIÈCE POUVANT ÊTRE RÉPARÉE PAR L'UTILISATEUR. NE PAS LE DÉMONTER.

Les piles au lithium-ion ont une durée de fonctionnement prédéterminée. Si le temps d'utilisation par recharge diminue de façon marquée, le bloc de batterie est à la fin de sa vie utile et doit être remplacé.

- Assurez-vous que le bloc de batterie, y compris les contacts, est propre et sec et ne présente aucun signe de perforation, d'impact ou d'autre dommage. Les batteries endommagées peuvent causer des incendies ou émettre des produits chimiques dangereux.
- Nettoyez les contacts sales avec un chiffon doux et sec. La saleté ou l'huile peut provoquer une mauvaise connexion électrique entraînant une perte de puissance.
- Rangez la batterie alors qu'elle est entièrement chargée, sur le chargeur, lorsque possible.

CHARGEUR

IMPORTANT : LE CHARGEUR NE CONTIENT AUCUNE PIÈCE POUVANT ÊTRE RÉPARÉE PAR L'UTILISATEUR. NE PAS LE DÉMONTER.

- Débranchez le chargeur de la prise électrique.
- Nettoyez les contacts sales avec un chiffon doux et sec.

DÉPANNAGE

Utilisez le tableau suivant pour obtenir des solutions possibles en cas de problème avec le souffleur. Si ces suggestions ne résolvent pas le problème, consultez la section « Garantie et service ».

SYMPTÔME	CAUSE POSSIBLE	ACTIONS RECOMMANDÉES
Le moteur ne fonctionne pas ou fonctionne par intermittence	Batterie déchargée	Rechargez la batterie. Consultez la section « Bloc de batterie et chargeur ».
	Verrouillage du déclencheur non actionné	Actionnez le verrouillage du déclencheur avant de presser l'interrupteur de la gâchette. Voir « Fonctionnement général ».
	Bloc de batterie pas complètement inséré	Enfoncez le bloc de batterie dans le port de la batterie jusqu'à ce qu'il s'enclenche.
	Contacts de la batterie sales	Retirez le bloc de batterie, enlevez les débris du port de la batterie, puis nettoyez les contacts avec un chiffon propre et sec.
	Le bloc de batterie est trop chaud ou trop froid	Laissez le bloc de batterie se réchauffer ou refroidir jusqu'à ce qu'il atteigne une température comprise dans la plage de fonctionnement, soit entre 0 et 40 °C (32 à 104 °F).
	Prise de refroidissement des composants électroniques obstruée	Nettoyez tout débris de la prise pour offrir un flux d'air sans obstruction à la gâchette à vitesse variable.
Le volume d'air soufflé de la buse et/ou la vitesse diminue de manière significative	La prise d'air est obstruée	Nettoyez tout débris de l'écran protecteur.
	Buse obstruée	Retirez la batterie, puis la buse, et enlevez les débris qui s'y trouvent.
Vibration excessive	Ventilateur endommagé	Faites vérifier le souffleur auprès d'un centre de service agréé.
Le bouton turbo ne fonctionne pas	Utilisez un bloc de batterie de B500S 1,25 Ah	Le bouton turbo ne fonctionnera pas avec une batterie de B500S 1,25 Ah. Insérez un bloc de batterie de capacité supérieure pour pouvoir utiliser la fonction turbo.
Le bloc de batterie ne se charge pas	La protection du bloc de batterie contre les températures élevées/faibles est activée	Cela peut se produire lorsque le souffleur est utilisé de manière continue ou exposé à des températures ambiantes élevées. Laissez le bloc de batterie atteindre une température acceptable avant la recharge. Consultez la section « Bloc de batterie et chargeur ».
	Contacts sales ou endommagés sur le bloc de batterie ou le chargeur	Inspectez les contacts sur le bloc de batterie et sur le chargeur. Au besoin, nettoyez-les conformément aux instructions de ce manuel. Réinsérez le bloc de batterie dans le chargeur, en veillant à ce qu'il soit bien installé.
	Le bloc de batterie est à la fin de sa vie utile	Toutes les batteries ont une durée limitée. Si le bloc de batterie a plus de deux ans ou a été rechargé fréquemment, il est peut-être temps de le remplacer. Remplacez uniquement avec le bloc de batterie spécifié pour ce souffleur.
	Chargeur défectueux	Faites vérifier son fonctionnement auprès d'un centre de service agréé.

SYMPTÔME	CAUSE POSSIBLE	ACTIONS RECOMMANDÉES
Peu de temps d'utilisation par recharge de batterie	Utilisation excessive du mode turbo	Utilisez le mode turbo uniquement lorsque nécessaire pour déplacer des matières denses, lourdes ou humides.
	Bloc de batterie pas complètement chargé	Rechargez la batterie. Consultez la section « Bloc de batterie et chargeur ».
	Le bloc de batterie est à la fin de sa vie utile	Toutes les batteries ont une durée limitée. Si le bloc de batterie a plus de deux ans ou a été rechargé fréquemment, il est peut-être temps de le remplacer. Remplacez uniquement avec le bloc de batterie spécifié pour ce souffleur.
Lumière orange clignotant sur l'indicateur d'état de charge	Erreur de court-circuit du chargeur, de dépassement de courant du chargeur, de dépassement de limite de tension, de circuit ouvert sur le bloc de batterie ou de délai de charge/pré-charge	<ol style="list-style-type: none"> 1. Assurez-vous que le cordon du chargeur est raccordé au chargeur et à la prise de courant. 2. Assurez-vous que le chargeur reçoit la tension correcte. 3. Essayez de charger un autre bloc de batterie conçu pour ce chargeur. <p>Si cela ne résout pas le problème, faites vérifier son fonctionnement auprès d'un centre de service agréé.</p>

CARACTÉRISTIQUES ET COMPOSANTS

⚠ AVERTISSEMENT : L'UTILISATION DES PIÈCES DE RECHANGE AUTRES QUE CELLES INDIQUÉES DANS LE PRÉSENT MANUEL D'INSTRUCTIONS AUGMENTE LE RISQUE DE BLESSURE. N'UTILISEZ JAMAIS DES ACCESSOIRES AUTRES QUE CEUX DÉCRITS DANS LE PRÉSENT MANUEL.

COMPOSANTS DE RECHANGE		NUMÉRO DE PIÈCE
ÉCRAN PROTECTEUR		572566
BUSE		572563
HARNAIS		572569
BLOC DE BATTERIE, MODÈLE B600E		548208
BLOC DE BATTERIE, MODÈLE B400E		545938
BLOC DE BATTERIE, MODÈLE B500S		545937
CHARGEUR AVEC CORDON, MODÈLE C600		540580
CHARGEUR RAPIDE AVEC CORDON, MODÈLE C750		548185
CHARGEUR, MODÈLE C600		
ENTRÉE	100 à 240 V ~ 50 à 60 Hz, 60 W	
ENTRÉE (É.-U. ET CANADA UNIQUEMENT)	120 V ~ 60 Hz, 60 W	
SORTIE	41,5 V ⁻⁻⁻ , 1,25 A	
CORDON D'ALIMENTATION	RÉF. É.-U./CAN : 546636 RÉF. UE : 547383 RÉF. R.-U. : 547384 RÉF. AU/NZ : 560663	
BLOC DE BATTERIE		
TYPE	LITHIUM ION	
TEMPÉRATURE DE FONCTIONNEMENT	0 à 40 °C (32 à 104 °F)	
MODÈLE	CAPACITÉ NOMINALE	TENSION NOMINALE
B600E	4,00 Ah / 144 Wh	+36 VDC
B400E	2,40 Ah / 89 Wh	+37 VDC
B500S	1,25 Ah / 47 Wh	+37 VDC
SOUFFLEUR		
POIDS À SEC	2,8 kg (6,2 lb)	
VIBRATION	2.5 m/s ² (K, 1.5 m/s ²)	
	HAUTE VITESSE	TURBO *
NIVEAU DE PRESSION ACOUSTIQUE GARANTI	61 dB(A)	65 dB(A)
VITESSE DE L'AIR	102 mph	131 mph
VOLUME D'AIR	400 cfm	507 cfm

*La fonction turbo n'est pas offerte avec une batterie de B500S 1,25 Ah.

GARANTIE ET SERVICE

GARANTIE

Blount, Inc. garantit tous les chargeurs et outils sans fil OREGON^{MD} enregistrés pour une période de trois (3) ans et tous les blocs de batterie sans fil OREGON^{MD} enregistrés pour une période de deux (2) ans à compter de la date d'achat initiale. Les chargeurs, blocs de batterie et outils sans fil OREGON^{MD} enregistrés sont garantis deux (2) ans s'ils sont utilisés à des fins commerciales. Cette garantie limitée s'applique aux produits du système d'outils sans fil fabriqués par OREGON^{MD}. Pendant la période de garantie, Blount réparera ou, à sa discrétion, remplacera sans frais pour l'acheteur d'origine seulement tout produit ou toute pièce ayant un défaut de matériau ou de main-d'œuvre confirmé après vérification de Blount. Le propriétaire sera responsable de tous les frais de transport et du coût de démontage de toute pièce soumise pour remplacement en vertu de la garantie.

Pour enregistrer votre produit, visitez la rubrique « Soutien » de OregonCordless.com.

RENSEIGNEMENTS DE SERVICE ET DE SOUTIEN

Visitez-nous sur le web à **OregonCordless.com** pour des renseignements sur les centres de service ou communiquez avec notre département de service à la clientèle au 888 313-8665 pour une assistance, des conseils techniques supplémentaires, une réparation, des pièces de rechange ou pour enregistrer le produit.

Par souci de sécurité, utilisez uniquement des pièces de rechange authentiques d'usine avec le souffleur. Le personnel de notre centre de service a été formé pour vous fournir aide et soutien de façon efficace pour tout réglage, réparation ou remplacement requis pour tous les produits du système d'outils sans fil OREGON^{MD}.



ÍNDICE

SÍMBOLOS Y ETIQUETAS	51
NOMBRES Y TÉRMINOS DEL SOPLADOR	52
IDENTIFICACIÓN DEL PRODUCTO	53
REGLAS DE SEGURIDAD	54
DEFINICIONES DE LAS SEÑALES DE SEGURIDAD	54
ADVERTENCIAS GENERALES DE SEGURIDAD SOBRE LAS HERRAMIENTAS ELÉCTRICAS.	54
SEGURIDAD EN EL ÁREA DE TRABAJO	55
SEGURIDAD ELÉCTRICA	55
SEGURIDAD PERSONAL	55
USO Y CUIDADO DE LA HERRAMIENTA ELÉCTRICA.	55
USO Y CUIDADO DE LA HERRAMIENTA A BATERÍA	56
SERVICIO TÉCNICO	56
ADVERTENCIAS DE SEGURIDAD SOBRE EL SOPLADOR	56
ALMACENAMIENTO, TRANSPORTE Y DESECHO	57
SEGURIDAD DE LA BATERÍA	58
SEGURIDAD DEL CARGADOR	59
DESEMPAQUE Y ARMADO.	60
USO DEL SOPLADOR	61
MÓDULO DE LA BATERÍA Y CARGADOR	61
USO GENERAL	63
USO DEL SOPLADOR	65
MANTENIMIENTO Y LIMPIEZA	67
INSPECCIÓN	67
LIMPIEZA	67
MÓDULO DE LA BATERÍA	68
CARGADOR	68
SOLUCIÓN DE PROBLEMAS	69
ESPECIFICACIONES Y COMPONENTES.	71
GARANTÍA Y SERVICIO TÉCNICO.	72

SÍMBOLOS Y ETIQUETAS

Estos símbolos y etiquetas aparecen en el soplador y/o en el manual.

SÍMBOLO	NOMBRE	EXPLICACIÓN
	CONSTRUCCIÓN DE CLASE II	HERRAMIENTAS DE CONSTRUCCIÓN DESIGNADAS CON DOBLE AISLAMIENTO.
	SÍMBOLO DE ALERTA DE SEGURIDAD	INDICA QUE EL TEXTO QUE LO SIGUE EXPLICA UN PELIGRO, UNA ADVERTENCIA O UNA PRECAUCIÓN.
	LEA LAS INSTRUCCIONES	EL MANUAL ORIGINAL DE INSTRUCCIONES CONTIENE INFORMACIÓN IMPORTANTE SOBRE LA SEGURIDAD Y EL USO. LEA Y SIGA LAS INSTRUCCIONES ATENTAMENTE.
	USE PROTECCIÓN PARA LOS OJOS	USE PROTECCIÓN PARA LOS OJOS QUE CUMPLA CON LAS NORMAS DE ANSI Z 87.1 (O LAS NORMAS NACIONALES ADECUADAS DE SU PAÍS) AL USAR EL SOPLADOR.
	USE PROTECCIÓN PARA LOS OÍDOS	OREGON® RECOMIENDA EL USO DE PROTECCIÓN PARA LOS OÍDOS AL USAR EL SOPLADOR.
	USE PANTALONES LARGOS	USE PANTALONES LARGOS AL USAR EL SOPLADOR.
	USE CALZADO DE SEGURIDAD	USE BOTAS DE TRABAJO CERRADAS Y ADECUADAS AL USAR EL SOPLADOR.
	PRESIÓN ACÚSTICA	NIVEL DE PRESIÓN ACÚSTICA GARANTIZADO
	NO USE UNA ESCALERA	NUNCA SE PARE SOBRE UNA ESCALERA CUANDO USE EL SOPLADOR.
	NO INCINERAR	NO ARROJE EL PRODUCTO AL FUEGO.
	NO DESECHAR	NO DESECHE EL PRODUCTO CON LA BASURA DOMÉSTICA. LLÉVELO A UN CENTRO DE RECICLAJE AUTORIZADO.
	NO EXPONGA EL PRODUCTO A LA LLUVIA	NO USE EL CARGADOR EN CONDICIONES HÚMEDAS.
	USO EN INTERIORES ÚNICAMENTE	CARGADOR PARA USO EN INTERIORES ÚNICAMENTE.
	TEMPERATURA DE FUNCIONAMIENTO	ÚNICAMENTE USE EL MÓDULO DE LA BATERÍA A UNA TEMPERATURA DE ENTRE 0 °C y 40 °C (32 °F y 104 °F).
	EXTRAIGA LA BATERÍA	EXTRAIGA LA BATERÍA ANTES DE REALIZAR CUALQUIER TAREA DE MANTENIMIENTO.
	EXTRAIGA LA BATERÍA ANTES DE TRANSPORTAR LA HERRAMIENTA.	RETIRE EL MÓDULO DE LA BATERÍA DEL SOPLADOR ANTES DE ALMACENARLO, TRANSPORTARLO O DESECHARLO.
	ZONA DE SEGURIDAD PARA TRANSEÚNTES	ESTABLEZCA UNA ZONA DE SEGURIDAD PARA TRANSEÚNTES DE 5 M (16 PIES) ALREDEDOR DEL OPERADOR.
	PELIGRO DE ENREDO	MANTENGA EL CABELLO, LA ROPA SUELTA, LOS DEDOS Y TODAS LAS PARTES DEL CUERPO ALEJADOS DE LAS ABERTURAS.
	PELIGRO DE OBJETOS DESPEDIDOS	NO APUNTE HACIA PERSONAS O ANIMALES AL USAR EL SOPLADOR.
	VENTILADOR GIRATORIO DEL SOPLADOR	NO INTRODUZCA LOS DEDOS EN EL SOPLADOR Y NO LO USE SI LA PANTALLA DE ENTRADA ESTÁ DAÑADA.

NOMBRES Y TÉRMINOS DEL SOPLADOR

Entrada de aire: Rejilla de ventilación en la parte trasera del soplador a través de la cual el ventilador del soplador extrae el aire.

Orejetas de alineación: Las salientes en el tubo del soplador en las que la boquilla está montada.

Ranuras de alineación: Las muescas en la boquilla que encajan sobre las orejetas al conectar la boquilla al tubo del soplador.

Ventilador del soplador: La pieza giratoria dentro del soplador que mueve el aire.

Tubo del soplador: La saliente circular en la parte frontal del soplador a la que se conecta la boquilla.

Zona de seguridad para transeúntes: Círculo de 5 m (16 pies) alrededor del operador que debe mantenerse libre de transeúntes, niños y mascotas.

Rejilla para enfriamiento de los componentes electrónicos: El puerto en la parte frontal del asa que permite el flujo de aire para enfriamiento a través de los circuitos electrónicos.

Asa: La parte por donde el operador sujeta el soplador; incorpora el gatillo variable, el bloqueo del gatillo y el botón de turbo.

Arnés: Dispositivo de seguridad usado por el operador y conectado al soplador, que ayuda a distribuir el peso del soplador.

Anillos de fijación del arnés: Puntos en el soplador a los cuales se puede fijar el arnés.

Pantalla de entrada: La tapa sobre la entrada de aire que ayuda a evitar que los objetos o los dedos sean arrastrados hacia el interior del ventilador del soplador.

Boquilla: La pieza larga y cilíndrica que se ajusta al tubo del soplador para dirigir el aire del soplador.

Bloqueo del gatillo: Tope móvil que evita la activación accidental del gatillo variable hasta que este sea accionado manualmente.

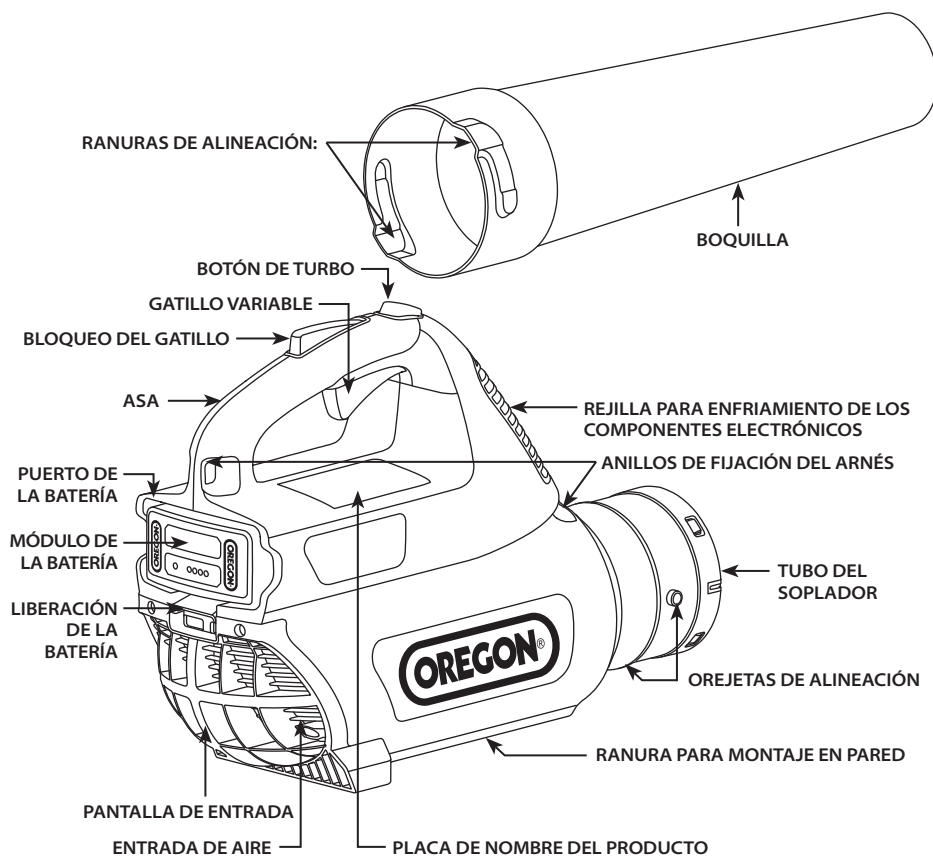
Turbo: Potencia extra aplicada al motor del soplador al presionar el botón de turbo (la función turbo no está disponible con las baterías de B500S 1,25 Ah).

Gatillo variable: Dispositivo que enciende o apaga el soplador y permite al usuario ajustar la velocidad del soplador. Una presión firme sobre el gatillo aumentará el flujo de aire de la boquilla.

Ranura para montaje en pared: La muesca en la parte inferior del soplador que puede usarse para colgar la herramienta durante su almacenamiento.

IDENTIFICACIÓN DEL PRODUCTO

CONOZCA EL SOPLADOR





NOTA: Consulte la sección "Desempaquetado y armado" para obtener una lista de los elementos que se incluyen.

INTRODUCCIÓN

Este soplador está diseñado para limpiar residuos livianos como recortes de césped, hojas, ramitas, papel y polvo de superficies planas. Esta herramienta es solo para uso doméstico. Otros usos pueden aumentar la posibilidad de peligro de objetos despedidos. Lea y siga estas instrucciones para minimizar los riesgos y maximizar la satisfacción.

REGLAS DE SEGURIDAD

DEFINICIONES DE LAS SEÑALES DE SEGURIDAD

SÍMBOLO	SEÑAL	SIGNIFICADO
	ADVERTENCIA	INDICA UN PELIGRO POTENCIAL QUE PUEDE PROVOCAR UNA LESIÓN GRAVE.
	PRECAUCIÓN	INDICA UN PELIGRO POTENCIAL QUE PODRÍA PROVOCAR UN DAÑO SERIO A LA HERRAMIENTA O PROVOCAR LESIONES MENORES Y MODERADAS.
	IMPORTANTE	SEGUIR ESTA INSTRUCCIÓN AUMENTARÁ LA SATISFACCIÓN CON LA HERRAMIENTA.

ADVERTENCIAS GENERALES DE SEGURIDAD SOBRE LAS HERRAMIENTAS ELÉCTRICAS

⚠ ADVERTENCIA: LEA Y COMPRENDA TODAS LAS ADVERTENCIAS DE SEGURIDAD Y LAS INSTRUCCIONES. NO SEGUIR ESTAS ADVERTENCIAS E INSTRUCCIONES PODRÍA OCASIONAR UNA DESCARGA ELÉCTRICA, UN INCENDIO Y/O LESIONES GRAVES.

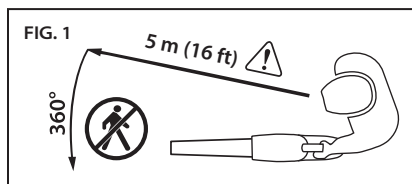


⚠ ADVERTENCIA: ESTA HERRAMIENTA ELÉCTRICA NO ESTÁ DISEÑADA PARA SER USADA POR PERSONAS (INCLUIDOS LOS NIÑOS) CON CAPACIDADES FÍSICAS, SENSORIALES O MENTALES REDUCIDAS, O CON FALTA DE EXPERIENCIA O CONOCIMIENTOS ADECUADOS, A MENOS QUE ESTÉN BAJO LA SUPERVISIÓN E INSTRUCCIÓN, EN LO QUE RESPECTA AL USO DE DEL ARTEFACTO, DE UNA PERSONA RESPONSABLE POR SU SEGURIDAD. SUPERVISE A LOS NIÑOS PARA ASEGURARSE DE QUE NO JUEGUEN CON EL ARTEFACTO.

GUARDE TODAS LAS ADVERTENCIAS E INSTRUCCIONES PARA FUTURA REFERENCIA. EL TÉRMINO "HERRAMIENTA ELÉCTRICA" EN LAS ADVERTENCIAS SE REFIERE A SU HERRAMIENTA ALIMENTADA DESDE LA RED (CABLEADA) O A BATERÍA (INALÁMBRICA).

SEGURIDAD EN EL ÁREA DE TRABAJO

- Mantenga el área de trabajo limpia y bien iluminada. Las zonas abarrotadas u oscuras son propensas a los accidentes.
- No use herramientas eléctricas en ambientes explosivos, como aquellos con presencia de líquidos, gases o polvo inflamables. Las herramientas eléctricas crean chispas que podrían encender el polvo o los gases.
- Mantenga a los niños y a los transeúntes alejados mientras use una herramienta eléctrica (Fig. 1). Las distracciones podrían hacerle perder el control.



⚠ PRECAUCIÓN: ESTABLEZCA UNA ZONA DE SEGURIDAD PARA TRANSEÚNTES DE 5 M (16 PIES) ANTES DE USAR ESTE EQUIPO.

La zona de seguridad para transeúntes es un círculo de 5 m (16 pies) alrededor del operador en el que no debe haber transeúntes, niños ni mascotas.

SEGURIDAD ELÉCTRICA

- El enchufe del cargador debe coincidir con el tomacorriente. Nunca modifique el enchufe en forma alguna. El uso de enchufes no modificados y tomacorrientes adecuados reduce el riesgo de que se produzcan descargas eléctricas.
- No exponga el cargador a condiciones húmedas ni a la lluvia. Si entra agua en el cargador, habrá mayor riesgo de que ocurra una descarga eléctrica.
- No maltrate el cable de alimentación. Nunca use el cable para transportar, acarrear ni desenchufar el cargador. Mantenga el cable alejado del calor, el aceite, los bordes filosos y las piezas móviles. Un cable dañado o enredado conlleva mayor riesgo de que se produzca una descarga eléctrica.

SEGURIDAD PERSONAL

- Permanezca alerta, esté atento a lo que hace y use su sentido común al usar una herramienta eléctrica. No use una herramienta eléctrica si está cansado o si está bajo la influencia de drogas, alcohol o medicamentos. Si se despista por un momento mientras usa una herramienta eléctrica, podría sufrir lesiones personales graves.

- Use equipo de protección personal. Siempre use protección para los ojos. El uso de equipo de protección adecuado para las condiciones de trabajo, tal como una máscara contra el polvo, calzado de seguridad antideslizante, pantalones largos o protección para los oídos, reduce el riesgo de sufrir lesiones personales.
- Evite el arranque accidental de la herramienta. Asegúrese de no tener el dedo sobre el gatillo variable antes de insertar el módulo de la batería, levantar o transportar la herramienta. Transportar herramientas eléctricas con el dedo sobre el gatillo o energizarlas con el interruptor en la posición de encendido es una invitación a que se produzca un accidente.
- Vístase correctamente. No use ropa ni joyas sueltas. Mantenga su cabello, su ropa y sus guantes alejados de las piezas móviles. La ropa, las joyas o el cabello sueltos podrían quedar atrapados en las piezas móviles.

USO Y CUIDADO DE LA HERRAMIENTA ELÉCTRICA

- No fuerce la herramienta eléctrica. Use la herramienta eléctrica adecuada para su aplicación. La herramienta eléctrica adecuada hará el trabajo mejor y en forma más segura al ritmo para el cual fue diseñada.
- No use la herramienta eléctrica si el gatillo variable no permite encenderla y apagarla. Toda herramienta que no pueda controlarse con el interruptor es peligrosa y debe repararse.
- Desconecte el módulo de la batería de la herramienta eléctrica antes de hacerle cualquier ajuste, cambiar accesorios o almacenarla. Estas medidas de seguridad preventivas reducen el riesgo de arranques accidentales de la herramienta.
- Almacene las herramientas eléctricas que no se encuentren en uso fuera del alcance de los niños y no permita que las usen personas que no conozcan la herramienta eléctrica ni estas instrucciones. Las herramientas eléctricas son peligrosas en las manos de usuarios no capacitados.
- Proporcione mantenimiento a las herramientas eléctricas. Verifique que las piezas móviles no estén mal alineadas ni atascadas, que no haya piezas rotas y que no haya ninguna otra condición que pudiera afectar el funcionamiento de la herramienta. Si la herramienta se daña, hágala reparar antes de usarla. Consulte la sección "Inspección" en este manual. Muchos accidentes ocurren por no dar un buen mantenimiento a las herramientas eléctricas.

- Utilice la herramienta mecánica, los accesorios, las brocas, etc. de acuerdo con estas instrucciones, tomando en cuenta las condiciones de trabajo y la tarea por realizar. *El uso de la herramienta eléctrica para tareas distintas de las previstas podría provocar una situación peligrosa.*

USO Y CUIDADO DE LA HERRAMIENTA A BATERÍA

- Recargue la herramienta únicamente con el cargador que especifica el fabricante. *Un cargador adecuado para un tipo de batería podría originar un riesgo de incendio cuando se usa con otra.*
- Use las herramientas eléctricas únicamente con los módulos de batería específicamente diseñados para ellas. *El uso de otros módulos de batería puede crear riesgo de lesiones e incendios.*
- Cuando no use la batería, manténgala alejada de otros objetos metálicos, como sujetapapeles, monedas, llaves, clavos, tornillos y otros objetos metálicos pequeños que pudieran establecer una conexión entre un terminal y el otro. *Un cortocircuito entre los terminales de la batería puede provocar quemaduras o un incendio.*
- En condiciones de abuso, podría salir líquido proyectado de la batería. Evite el contacto con este líquido. *Si ocurre accidentalmente el contacto con el líquido, enjuague la zona de contacto con agua. Si el líquido entra en contacto con los ojos, busque también asistencia médica. El líquido proyectado por la batería puede causar irritación o quemaduras.*

SERVICIO TÉCNICO

Encargue el servicio técnico de su herramienta eléctrica y el cargador a un técnico de reparación calificado que use únicamente piezas de repuesto idénticas. Esto garantizará que se mantenga la seguridad de la herramienta eléctrica. Cualquier intento de realizar el servicio técnico o el mantenimiento fuera de los centros de servicio mencionados en este manual, o la falta de inspección y limpieza, pueden ocasionar el rechazo de reclamaciones relativas a la garantía.

ADVERTENCIAS DE SEGURIDAD SOBRE EL SOPLADOR



⚠ ADVERTENCIA: EL USO DE UN SOPLADOR ARMADO INCORRECTAMENTE PUEDE PROVOCAR LESIONES PERSONALES GRAVES. SOLO USE ESTA HERRAMIENTA LUEGO DE ARMARLA CORRECTAMENTE SEGÚN LA SECCIÓN "DESEMPAQUE Y ARMADO" DE ESTE MANUAL.

⚠ ADVERTENCIA: EL SOPLADOR PUEDE SER PELIGROSO EN MANOS DE USUARIOS NO CAPACITADOS. NO PERMITA QUE LO USEN LOS NIÑOS O LAS PERSONAS QUE NO CONOCEN EL SOPLADOR NI ESTAS INSTRUCCIONES.

⚠ ADVERTENCIA: EL USO DEL SOPLADOR COMO JUGUETE PUEDE PROVOCAR LESIONES PERSONALES. NO APUNTE EL SOPLADOR HACIA PERSONAS O MASCOTAS, NUNCA INTRODUZCA OBJETOS DENTRO DE LA BOQUILLA Y NO SOPLA RESIDUOS HACIA TRANSEÚNTES NI ANIMALES.

⚠ ADVERTENCIA: EL USO INCORRECTO PUEDE PROVOCAR LESIONES PERSONALES O DAÑOS A LA PROPIEDAD. EL OPERADOR ES RESPONSABLE POR LOS ACCIDENTES O LOS DAÑOS A LA PROPIEDAD QUE PUDIERAN PRODUCIRSE DEBIDO AL INCUMPLIMIENTO DE ESTAS INSTRUCCIONES.

⚠ ADVERTENCIA: EL VENTILADOR DEL SOPLADOR ENTRE LA ENTRADA DE AIRE Y LAS ABERTURAS DE SALIDA GIRA SIEMPRE QUE EL MOTOR ESTÁ EN FUNCIONAMIENTO. A FIN DE REDUCIR EL RIESGO DE SUFRIR LESIONES POR EL CONTACTO CON EL VENTILADOR DEL SOPLADOR, NUNCA USE SU SOPLADOR SIN EL TUBO DEL SOPLADOR ADECUADAMENTE MONTADO O CON UNA PANTALLA DE ENTRADA DAÑADA O SIN ELLA.

⚠ ADVERTENCIA: NO ES SEGURO USAR EL SOPLADOR SI ESTÁ DAÑADO O SE LE REALIZAN MODIFICACIONES. NUNCA MODIFIQUE ESTA HERRAMIENTA ELÉCTRICA DE NINGÚN MODO. SI SE LE CAE, SIEMPRE INSPECCIONE EL SOPLADOR ANTES DE CONTINUAR CON EL TRABAJO. VERIFIQUE, EN PARTICULAR, QUE LOS CONTROLES Y LOS DISPOSITIVOS DE SEGURIDAD ESTÉN FUNCIONANDO CORRECTAMENTE. CONSULTE LA SECCIÓN "INSPECCIÓN" DE ESTE MANUAL. NO CONTINUE USANDO ESTA MÁQUINA SI ESTÁ DAÑADA.

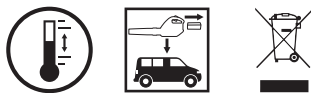
⚠ ADVERTENCIA: RESPIRAR POLVO DE ASBESTOS ES PELIGROSO Y PUEDE PROVOCAR UNA ENFERMEDAD GRAVE O FATAL, ENFERMEDADES RESPIRATORIAS O CÁNCER. EL USO Y ELIMINACIÓN DE PRODUCTOS QUE CONTIENEN ASBESTOS HA SIDO ESTRICTAMENTE REGULADO POR LA ADMINISTRACIÓN DE SEGURIDAD Y SALUD OCUPACIONAL (OCCUPATIONAL SAFETY & HEALTH ADMINISTRATION, OSHA) Y LA AGENCIA DE PROTECCIÓN AMBIENTAL (ENVIRONMENTAL PROTECTION AGENCY, EPA). SI USTED TIENE MOTIVOS PARA CREER QUE PUEDE ESTAR SOPLANDO O DE ALGÚN MODO REMOVIENDO ASBESTOS, COMUNÍQUESE INMEDIATAMENTE CON LA EPA, SU EMPLEADOR O UN REPRESENTANTE LOCAL DE LA OSHA.

⚠ ADVERTENCIA: EL POLVO CON SÍLICE EN SU COMPOSICIÓN PUEDE CONTENER SÍLICE CRISTALINA. LA SÍLICE ES UN COMPONENTE BÁSICO DE LA ARENA, EL CUARZO, LOS LADRILLOS, LA ARCILLA, EL GRANITO Y MUCHOS OTROS MINERALES Y PIEDRAS, ENTRE LOS QUE SE INCLUYEN PRODUCTOS DE HORMIGÓN Y ALBAÑILERÍA. LA INHALACIÓN CONSIDERABLE O REPETIDA DE SÍLICE CRISTALINA PRESENTE EN EL AIRE PUEDE PROVOCAR ENFERMEDADES RESPIRATORIAS GRAVES O FATALES, INCLUIDA LA SILICOSIS. ADEMÁS, EL ESTADO DE CALIFORNIA Y ALGUNAS OTRAS AUTORIDADES HAN IDENTIFICADO LA SÍLICE CRISTALINA RESPIRABLE COMO UNA SUSTANCIA QUE SE SABE QUE PROVOCA CÁNCER. EN CASO DE ENCONTRARSE FRENTE A ESTOS MATERIALES, SIEMPRE SIGA LAS PRECAUCIONES RESPIRATORIAS APROBADAS POR EL INSTITUTO NACIONAL PARA LA SEGURIDAD Y SALUD OCUPACIONAL (NATIONAL INSTITUTE FOR OCCUPATIONAL SAFETY AND HEALTH, NIOSH) Y LA ADMINISTRACIÓN DE SALUD Y SEGURIDAD EN MINAS (MINE SAFETY AND HEALTH ADMINISTRATION, MSHA).

⚠ PRECAUCIÓN: LOS OBJETOS EN EL VENTILADOR DEL SOPLADOR PUEDEN DAÑAR EL SOPLADOR O SER DESPEDIDOS POR LA BOQUILLA. NO INTRODUZCA NADA EN LA ENTRADA DE AIRE.

⚠ PRECAUCIÓN: LA INHALACIÓN DE CIERTOS POLVOS, ESPECIALMENTE POLVOS ORGÁNICOS COMO MOHO O POLEN, PUEDE PROVOCAR ALERGIAS O REACCIONES ASMÁTICAS EN PERSONAS SUSCEPTIBLES. LA INHALACIÓN CONSIDERABLE O REPETIDA DE POLVO U OTROS CONTAMINANTES PRESENTES EN EL AIRE, EN PARTICULAR AQUELLOS CON UN TAMAÑO DE PARTÍCULA MÁS PEQUEÑA, PUEDEN PROVOCAR ENFERMEDADES RESPIRATORIAS U OTRO TIPO DE ENFERMEDADES. CONTROLE EL POLVO ALLÍ DONDE SE ORIGINA SIEMPRE QUE SEA POSIBLE. USE LA UNIDAD DE MODO QUE EL VIENTO O EL AIRE DEL SOPLADOR DIRIJA TODO EL POLVO LEJOS DEL OPERADOR. SIGA LAS RECOMENDACIONES RELATIVAS AL POLVO ("MATERIAL PARTICULADO") PROPORCIONADAS POR EPA/OSHA/NIOSH Y LAS ASOCIACIONES COMERCIALES Y OCUPACIONALES. CUANDO LA INHALACIÓN DE POLVO NO PUEDA MANTENERSE A NIVEL DE FONDO O PRÓXIMO A ESTE, EL OPERADOR Y LOS TRANSEÚNTES DEBEN USAR RESPIRADORES APROBADOS POR EL NIOSH/LA MSHA PARA EL TIPO DE POLVO DEL QUE SE TRATA.

ALMACENAMIENTO, TRANSPORTE Y DESECHO



ALMACENAMIENTO DEL SOPLADOR

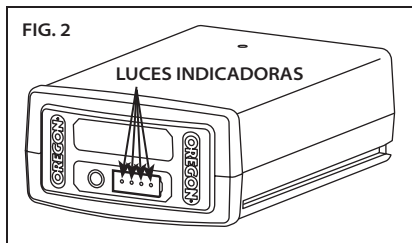
- Extraiga el módulo de la batería del soplador.
- Limpie minuciosamente el soplador.
- Almacene en un lugar seco.
- Mantenga fuera del alcance de los niños o las mascotas.

ALMACENAMIENTO DEL MÓDULO DE LA BATERÍA

Cuando almacene la batería por más de nueve meses, siga estas pautas:

- Extraiga el módulo de la batería del soplador.
- Almacene en un lugar fresco y seco.
- Mantenga fuera del alcance de los niños o las mascotas.

- Para prolongar la vida útil de la batería, nunca almacene el módulo de la batería completamente descargado (sin ninguna luz indicadora encendida) (Fig. 2).



- Para prolongar al máximo la vida útil de la batería, asegúrese de cargar el módulo de la batería una vez al año o cuando el indicador LED muestre solo una luz.
- Almacene a una temperatura entre los -20 °C y 30 °C (-4 °F y 86 °F).

CÓMO ALMACENAR EL CARGADOR

- Desconecte el cargador de la fuente de energía.
- Almacene en un lugar seco.
- Mantenga fuera del alcance de los niños o las mascotas.

Consulte "Mantenimiento y limpieza" para obtener más información.

TRANSPORTE DEL SOPLADOR

- Extraiga el módulo de la batería del soplador.
- Las herramientas pueden desplazarse durante el transporte. Asegure la herramienta para que no se caiga ni se mueva y así evitar provocar lesiones personales o daños materiales.

CÓMO TRANSPORTAR LA BATERÍA

Observe las reglamentaciones nacionales y locales para el envío de baterías de iones de litio. ES posible que se requiera un etiquetado obligatorio.

DESECHO DEL SOPLADOR Y EL CARGADOR

Los productos OREGON® se diseñan y fabrican con materiales y componentes de alta calidad que pueden reciclarse y reutilizarse. Tenga a bien desechar este equipo de forma adecuada desde el punto de vista medioambiental en un centro de reciclaje o recolección de residuos local.

ELIMINACIÓN DEL MÓDULO DE LA BATERÍA

No incinere ni deseche la batería junto a los residuos domésticos. Los organismos locales de reciclaje y de gestión de residuos tienen información sobre cómo reciclar o desechar los residuos correctamente. En los Estados Unidos y Canadá, la recolección de baterías está a cargo de Rechargeable Battery Recycling Corporation (Empresa de Reciclaje de Baterías Recargables). OREGON® ya cubrió los gastos del reciclaje de las baterías. Lleve las baterías en desuso a un comercio minorista o un centro de reciclaje participante. Si desea obtener la ubicación de los centros de entrega u otra información, visite www.call2recycle.org o llame al 1-800-8BATTERY.



SEGURIDAD DE LA BATERÍA

⚠ ADVERTENCIA: NO CUIDAR LA BATERÍA CORRECTAMENTE PODRÍA HACER QUE LA BATERÍA DERRAME SUSTANCIAS QUÍMICAS PELIGROSAS, SE SOBRECALIENTE, EMITA HUMO, ESTALLE, CREE UNA LLAMARADA, EXPLOTE Y/O SE INCENDIE. SIGA ESTAS REGLAS DE SEGURIDAD.

⚠ PRECAUCIÓN: NO DESECHE EL MÓDULO DE LA BATERÍA CON LA BASURA DOMICILIARIA NI LO INCINERE. LOS MÓDULOS DE BATERÍA DE IONES DE LITIO DEBEN RECICLARSE EN UN CENTRO DE RECICLAJE AUTORIZADO LOCAL.

IMPORTANTE: LA EXPOSICIÓN AL CALOR EXCESIVO PUEDE PERJUDICAR EL RENDIMIENTO DE LA BATERÍA O REDUCIR SU VIDA ÚTIL. NO EXPONGA LAS BATERÍAS A TEMPERATURAS DE CALOR EXTREMAS, COMO POR EJEMPLO DENTRO DE UN VEHÍCULO EN UN DÍA CALUROSO.

- No intente recargar un módulo de batería que no sea recargable.
- No desarme ni modifique la batería. Esto podría dañar las características de seguridad.

- No conecte los terminales positivo (+) y negativo (-) con objetos metálicos ni almacene la batería junto con objetos metálicos como monedas o tornillos. Esto puede provocar un cortocircuito y generar suficiente calor como para provocar quemaduras.
- No incinere el módulo de la batería ni lo exponga a calor excesivo. Esto podría derretir el aislamiento o dañar las características de seguridad.
- No use, cargue ni almacene la batería cerca de una fuente de calor a más de 80 °C (176 °F). Esto podría provocar sobrecalentamiento y un cortocircuito interno.
- No exponga la batería a condiciones de extrema humedad. Esto puede dañar las características de seguridad, producir una carga con corriente y voltaje extremadamente altos y provocar reacciones químicas anormales.
- Use únicamente el cargador específicamente diseñado para el módulo de la batería y siga las precauciones de seguridad que se describen en la sección "Seguridad del cargador". Usar otro cargador puede dañar las características de seguridad, producir una carga con corriente y voltaje extremadamente altos y provocar reacciones químicas anormales.
- No use módulos de batería marca OREGON® en herramientas que no sean marca OREGON®.
- No golpee, perforo ni arroje el módulo de la batería y no use un módulo de batería dañado ni deformado.
- Si la recarga falla, no vuelva a intentarla.
- Si el módulo de la batería despiden olor, genera calor, se decolora, se deforma o presenta cualquier tipo de anomalía durante el uso, la recarga o el almacenamiento, quítelo inmediatamente del soplador o del cargador.
- Todo líquido que pierda la batería es corrosivo, puede dañar los ojos y la piel y puede ser tóxico si se traga.

SEGURIDAD DEL CARGADOR

INSTRUCCIONES DE SEGURIDAD IMPORTANTES

⚠ ADVERTENCIA: RIESGO DE DESCARGA ELÉCTRICA ASEGÚRESE DE QUE LA UNIDAD DE ALIMENTACIÓN Y EL CABLE NO EVITEN QUE LA CUBIERTA DEL TOMACORRIENTE CIERRE POR COMPLETO.

IMPORTANTE: ESTE CARGADOR NO ESTÁ DISEÑADO PARA QUE LO USEN PERSONAS (LO QUE INCLUYE A NIÑOS) CON CAPACIDADES FÍSICAS, COGNITIVAS O MENTALES LIMITADAS, O SIN EXPERIENCIA, A MENOS QUE HAYAN SIDO SUPERVISADAS O CAPACITADAS POR UNA PERSONA RESPONSABLE DE SU SEGURIDAD. SUPERVISE A LOS NIÑOS PARA EVITAR QUE JUEGUEN CON LOS ARTEFACTOS.

IMPORTANTE: USE ESTE CARGADOR ÚNICAMENTE CON EL CABLE DE ALIMENTACIÓN QUE SE PROVEE Y ASEGÚRESE DE QUE EL ENCHUFE SE CONECTE CORRECTAMENTE AL TOMACORRIENTE.

Al utilizar productos eléctricos, siempre deben seguirse precauciones básicas, entre las que se incluyen las siguientes:

- **Lea y siga todas las instrucciones de seguridad antes de usar la herramienta.** Lea y siga todas las instrucciones de seguridad que se encuentren en el producto o que se incluyan con el mismo.
- **Conserve estas instrucciones.**
- **No utilice un cable de extensión.**
- **Un cable dañado o enredado conlleva mayor riesgo de que se produzca una descarga eléctrica.** No maltrate el cable de alimentación. Nunca use el cable para transportar, acarrear ni desenchufar la herramienta eléctrica. Mantenga el cable alejado del calor, el aceite, los bordes filosos y las piezas móviles.
- **No exponga el cargador a la lluvia.** El cargador es solo para uso en interiores.
- **No utilice a menos de 3 m (10 pies) de una piscina.**

DESEMPAQUE Y ARMADO

DESEMPAQUE

¿QUÉ HAY EN LA CAJA?

Se deben seguir algunos pasos de armado antes de usar el soplador. Los siguientes elementos se envían con el soplador:

- Soplador
- Boquilla
- Arnés
- Cargador y cable de alimentación (si se encuentran equipados).
- Batería (si se encuentra equipada).

Luego de sacar el soplador de la caja, examínelo cuidadosamente para asegurarse de que no haya sufrido daños durante el envío y que no falten piezas. Si hay piezas dañadas o faltan piezas, no use el soplador. Llame al Sistema de herramientas a batería OREGON® al 888.313.8665 para obtener piezas de repuesto.

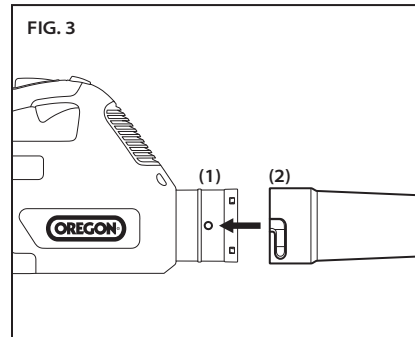
ARMADO

⚠ ADVERTENCIA: SOLO USE EL SOPLADOR CON LA BOQUILLA CORRECTAMENTE ARMADA.

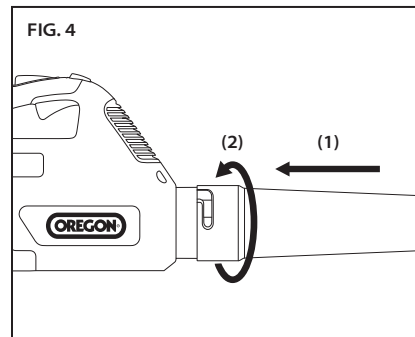
⚠ ADVERTENCIA: UNA HERRAMIENTA A BATERÍA CON EL MÓDULO DE LA BATERÍA CONECTADO PUEDE ARRANCAR ACCIDENTALMENTE. EXTRAIGA LA BATERÍA ANTES DE ARMAR LA HERRAMIENTA O REALIZAR CUALQUIER TAREA DE MANTENIMIENTO.

Antes de usar el soplador, conecte las boquillas al tubo del soplador.

- Oriente la boquilla de modo que las dos orejetas (1) en el tubo del soplador se alineen con las dos ranuras (2) en la boquilla (Fig. 3).



- Presione la boquilla para que se ajuste sobre el tubo (1), luego gire un cuarto de vuelta (2) para que encaje (Fig. 4).



USO DEL SOPLADOR

MÓDULO DE LA BATERÍA Y CARGADOR

⚠ ADVERTENCIA: PARA REDUCIR EL RIESGO DE SUFRIR DESCARGAS ELÉCTRICAS, NO CARGUE EL MÓDULO DE LA BATERÍA BAJO LA LLUVIA.

INDICADOR LED DEL NIVEL DE CARGA DE LA BATERÍA

La batería de iones de litio está equipada con un indicador LED de nivel de carga. Para ver el nivel de carga de la batería, presione el botón del indicador en la frente del módulo de la batería (Fig. 5).

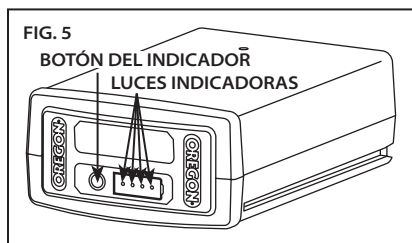
Sin luces: recargue.

Una luz verde fija:
menos del 25 % de carga.
Cargue la batería antes de usarla.

Dos luces verdes fijas:
entre el 26 % y el 50 % de carga.

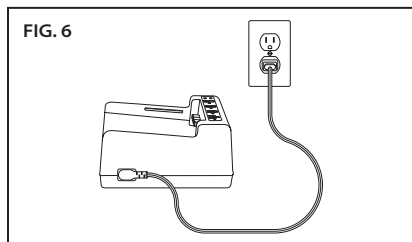
Tres luces verdes fijas:
entre el 51 % y el 75 % de carga.

Cuatro luces verdes fijas:
entre el 76 % y el 100 % de carga.



CÓMO CONECTAR EL CARGADOR

Si el cargador cuenta con un cable de alimentación independiente, conecte el cable del cargador al cargador y a un tomacorriente adecuado (Fig. 6).



Use únicamente los cables que vinieron con el cargador. La primera vez que use el cargador, verifique que el tipo de enchufe coincida con el tomacorriente.

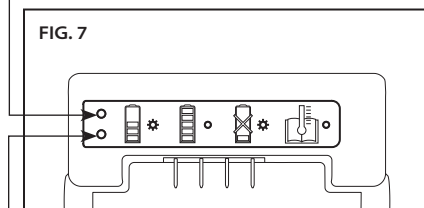
INDICADOR LED DEL ESTADO DE CARGA DEL CARGADOR

El cargador de la batería está equipado con un indicador LED del estado de carga que indica el estado de carga, así como las condiciones que podrían retrasar o impedir la carga (Fig. 7).

Nota: Hasta que no se inserte un módulo de la batería, no se verá ninguna luz.

Luz naranja intermitente: existe una condición de falla. Hay varias causas posibles. Consulte la sección "Solución de problemas" de este manual.

Luz naranja fija: la temperatura del módulo de la batería está fuera del rango aceptable (0 °C/32 °F a 40 °C/104 °). Permita que el módulo de la batería alcance el rango de temperatura aceptable antes de cargarlo. El módulo se puede dejar en el cargador mientras se ajusta la temperatura. La carga comenzará cuando se alcance la temperatura adecuada.



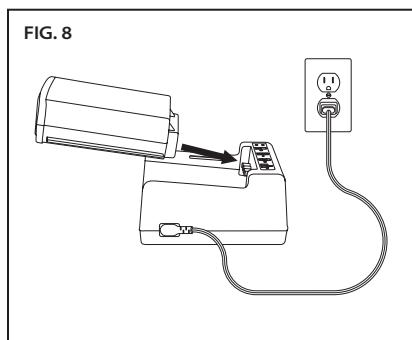
Luz verde intermitente: la batería se está cargando.

Luz verde fija: el módulo de la batería está listo para utilizar.

CÓMO CARGAR LA BATERÍA

⚠ ADVERTENCIA: NO SEGUIR LOS PROCEDIMIENTOS DE CARGA ADECUADOS PUEDE PROVOCAR VOLTAJE EXCESIVO, FLUJO DE CORRIENTE EXCESIVO, PÉRDIDA DE CONTROL DURANTE LA CARGA, FILTRACIÓN DE PRODUCTOS QUÍMICOS PELIGROSOS, GENERACIÓN DE CALOR, ESTALLIDO O INCENDIO. SIGA ESTAS INSTRUCCIONES DE CARGA.

Con el cable del cargador conectado al cargador y enchufado en un tomacorriente, alinee las ranuras de la batería con los carriles del cargador y deslice el módulo de la batería en el cargador hasta que esté completamente asentado (Fig. 8).

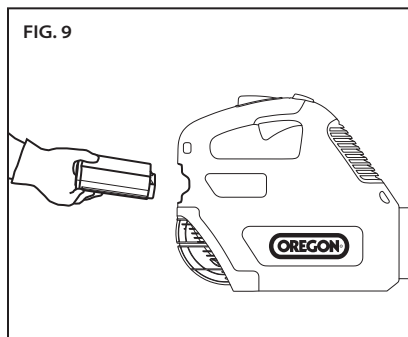


Verifique el indicador del estado de carga para conocer las condiciones de carga.

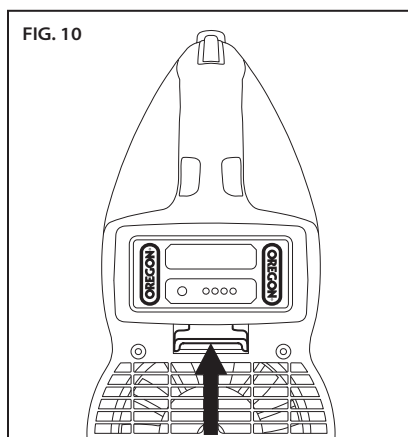
INTRODUCCIÓN Y DESBLOQUEO DEL MÓDULO DE LA BATERÍA

Use únicamente los módulos de la batería de marca OREGON® especificados en estas instrucciones de uso.

Alinee la ranura de la batería con los carriles dentro del puerto de la batería. Inserte firmemente el módulo de la batería en el puerto de la batería del soplador, presionando hacia adelante hasta que haga clic en señal de que encajó en su sitio (Fig. 9).



Para extraer el módulo de la batería, levante la liberación de la batería, sujete los laterales del módulo de la batería y extráigalo (Fig. 10).



USO GENERAL



⚠ ADVERTENCIA: PARA REDUCIR EL RIESGO DE SUFRIR LESIONES, SIEMPRE USE BOTAS ADECUADAS, PANTALONES LARGOS Y PROTECCIÓN PARA LOS OÍDOS Y LOS OJOS.

⚠ ADVERTENCIA: PARA REDUCIR EL RIESGO DE SUFRIR LESIONES, NO APUNTE EL SOPLADOR HACIA EL OPERADOR, TRANSEÚNTES O MASCOTAS.

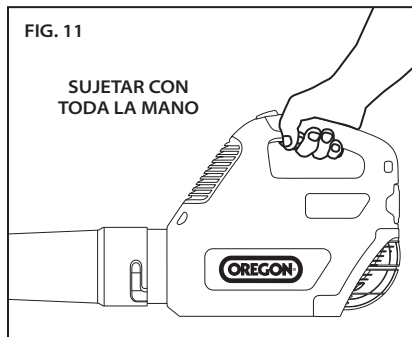
⚠ ADVERTENCIA: PARA REDUCIR EL RIESGO DE SUFRIR LESIONES, NO SE ESTIRE MÁS ALLÁ DE SU ALCANCE NI SE PARE EN UNA ESCALERA, EN UN TABURETE NI EN UNA POSICIÓN EN ALTURA QUE NO ESTÉ TOTALMENTE ASEGURADA.

TEMPERATURA OPERATIVA

Este soplador está diseñado para funcionar dentro de un rango de temperatura de 0 °C a 40 °C (32 °F a 104 °F).

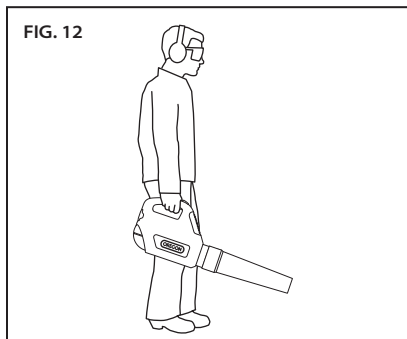
SUJECCIÓN

El soplador puede usarse con cualquiera de las dos manos. Sujete el asa con la toda la mano y envuelva los dedos y el pulgar firmemente alrededor del asa (Fig. 11).



POSICIÓN

Párese con ambos pies sobre suelo sólido, con el peso distribuido de manera uniforme entre ellos (Fig. 12).

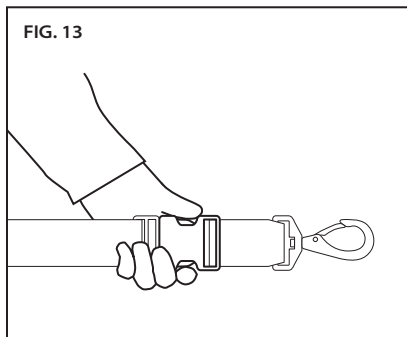


Tenga cuidado en las escaleras y trabaje lentamente para mantener el apoyo. Nunca corra cuando esté usando el soplador.

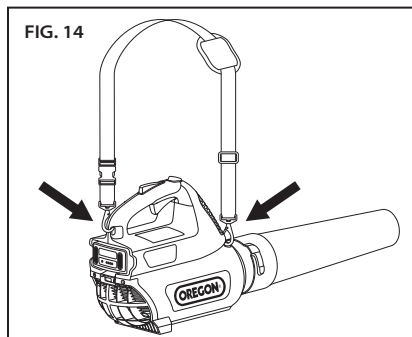
USO DEL ARNÉS

El arnés ayuda a distribuir el peso del soplador en todo el cuerpo, lo cual aumenta la comodidad para un uso prolongado.

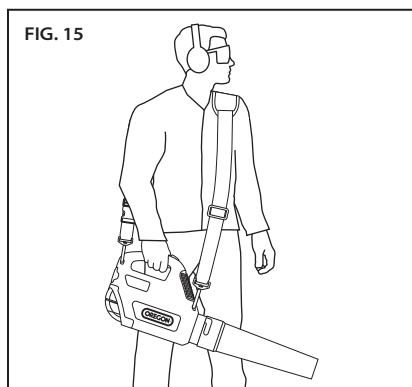
Este arnés cuenta con una liberación rápida que se puede operar con una sola mano (Fig. 13).



- Una los broches del arnés a los anillos del arnés con la hebilla de ajuste en el frente y la liberación rápida atrás (Fig. 14).



- Use el arnés sobre la cabeza y el hombro opuesto al lado del gatillo.
- Ajuste la longitud de la correa a una posición de funcionamiento cómoda (Fig. 15).



DETENCIÓN DEL SOPLADOR

Suelte el gatillo variable para detener el soplador.

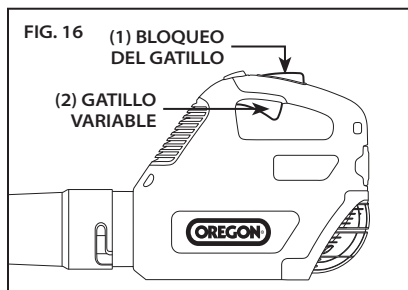
ARRANQUE DEL SOPLADOR

⚠ ADVERTENCIA: PARA REDUCIR EL RIESGO DE SUFRIR LESIONES, NUNCA ANULE EL SISTEMA DE BLOQUEO DEL GATILLO AL UNIR, CABLEAR O ATAR EL BLOQUEO DEL GATILLO.

Si usa el arnés, una los broches del arnés a los anillos de fijación y colóquese el arnés.

Sujete el asa con firmeza de modo que el bloqueo del gatillo no quede presionado con la palma de la mano (1).

- Para arrancar el soplador, apriete el gatillo variable (2) (Fig. 16). Apriete el gatillo variable con más fuerza para aumentar la velocidad y fuerza del soplador.

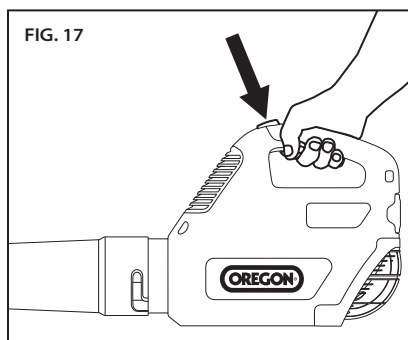


USO DEL MODO TURBO

El modo turbo aumenta la velocidad y fuerza del soplador por encima de la velocidad más alta que se logra con la presión máxima del gatillo variable (la función turbo no está disponible con las baterías de B500S 1,25 Ah).

Use esta potencia extra para mover material pesado, denso o húmedo que de otra manera sería más difícil de mover.

Mientras presiona el gatillo variable, presione y mantenga presionado el botón de turbo (Fig. 17).

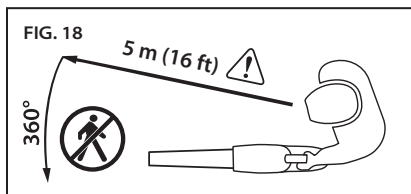


El uso prolongado del modo turbo disminuirá el tiempo de uso por carga de batería.

USO DEL SOPLADOR

⚠ ADVERTENCIA: PARA REDUCIR EL RIESGO DE SUFRIR LESIONES, USE BOTAS ADECUADAS, PANTALONES LARGOS Y PROTECCIÓN PARA LOS OÍDOS Y LOS OJOS.

⚠ PRECAUCIÓN: ESTABLEZCA UNA ZONA DE SEGURIDAD PARA TRANSEÚNTES DE 5 M (16 PIES) ANTES DE USAR ESTE EQUIPO. LA ZONA DE SEGURIDAD PARA TRANSEÚNTES ES UN CÍRCULO DE 5 M (16 PIES) ALREDEDOR DEL OPERADOR EN EL QUE NO DEBE HABER TRANSEÚNTES, NIÑOS NI MASCOTAS (FIG. 18).



⚠ PRECAUCIÓN: PELIGRO DE OBJETOS DESPEDIDOS NO APUNTE EL SOPLADOR HACIA PERSONAS O ANIMALES.

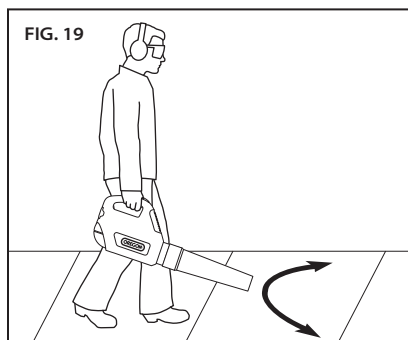
IMPORTANTE: CUMPLA CON TODAS LAS REGLAS Y REGLAMENTACIONES NACIONALES Y MUNICIPALES APLICABLES PARA SOPLADORES.

IMPORTANTE: EL SOPLADOR FUNCIONA MÁS EFICIENTEMENTE CUANDO NO SE OBSTRUYE EL FLUJO DE AIRE. EVITE QUE LOS RESIDUOS OBSTRUYAN LA ENTRADA DE AIRE.

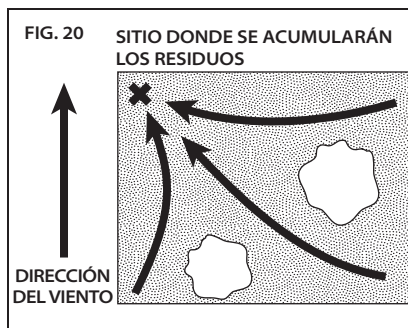
IMPORTANTE: SOPLAR MATERIAL FINO SOBRE SUPERFICIES LISAS DURANTE PERÍODO PROLONGADOS PUEDE PROVOCAR LA ACUMULACIÓN DE ELECTRICIDAD ESTÁTICA. TOMAR DESCANSOS CON FRECUENCIA AYUDA A EVITAR LA ACUMULACIÓN DE ESTÁTICA.

Para obtener el mejor desempeño y operar el soplador en forma segura, siga estas instrucciones:

- Antes de su uso, inspeccione el soplador como se describe en la sección "Mantenimiento y limpieza".
- Antes de su uso, determine dónde se deben acumular los residuos.
- Tome descansos con frecuencia para evitar el cansancio y reducir la acumulación de electricidad estática en entornos donde hay polvo.
- Arranque el soplador a una velocidad lenta, y comience lenta y suavemente a mover la boquilla barriendo de lado a lado (Fig. 19).



- Mueva los residuos en una sola dirección, hacia el lugar donde los acumulará, para evitar soplar los residuos hacia áreas que ya fueron barridas (Fig. 20).



- Aumente la velocidad del soplador para mover materiales más pesados o para despejar el área más rápidamente.

Sea extremadamente cuidadoso al usar protección para los oídos, ya que puede resultar difícil escuchar a los transeúntes. Tenga cuidado con los animales pequeños, sea extremadamente cuidadoso cerca de esquinas ciegas y puertas de entrada y detenga el uso si alguien se acerca.

Tenga cuidado con los vehículos y las ventanas.

Tome precauciones especiales cuando use el soplador cerca del suelo para evitar que los objetos sean arrastrados hacia el interior de la entrada de aire o eyectados desde la boquilla.

CONSEJOS DE USO

Siga estos consejos para obtener el máximo rendimiento del soplador:

- Use solamente accesorios OREGON®.
- Para minimizar el polvo, comience a soplar con la boquilla bien cerca del suelo, y luego gradualmente muévala hacia arriba.
- En condiciones con mucho polvo, usar una máscara contra el polvo puede aumentar la comodidad de trabajo.
- Para desarrollar una buena técnica, practique sobre pequeñas cantidades de recortes de césped, un vaso de papel otros materiales livianos que sean fáciles de limpiar.
- Practique diferentes combinaciones de movimientos de boquilla y velocidades para determinar qué funciona mejor en una determinada superficie y material.
- En áreas con gran cantidad de polvo, rocíe agua sobre la superficie para minimizarlo.
- Use una escoba o un rastrillo para aflojar los residuos pesados antes de soplarlos.
- No trabaje en dirección contraria al viento. Mover residuos en la misma dirección en que sopla el viento es más fácil y genera menos polvo.

MANTENIMIENTO Y LIMPIEZA

SOPLADOR



⚠ ADVERTENCIA: UNA HERRAMIENTA A BATERÍA CON EL MÓDULO DE LA BATERÍA CONECTADO PUEDE ARRANCAR ACCIDENTALMENTE. EXTRAIGA EL MÓDULO DE LA BATERÍA ANTES DE INSPECCIONARLA, LIMPIARLA O REALIZAR EL MANTENIMIENTO.

⚠ PRECAUCIÓN: INSPECCIONE EL SOPLADOR REGULARMENTE. LA INSPECCIÓN REGULAR ES EL PRIMER PASO PARA EL MANTENIMIENTO ADECUADO. SIGA LAS PAUTAS ESTABLECIDAS A CONTINUACIÓN PARA MAXIMIZAR LA SEGURIDAD Y LA SATISFACCIÓN. REEMPLACE CUALQUIER PIEZA DAÑADA O EXCESIVAMENTE DESGASTADA INMEDIATAMENTE.

⚠ PRECAUCIÓN: CUANDO LIMPIE EL SOPLADOR, NO LO SUMERJA EN AGUA NI EN OTROS LÍQUIDOS. NO LIMPIE EL SOPLADOR CON UNA HIDROLAVADORA.

INSPECCIÓN

Antes de cada uso, y si el soplador se ha dejado caer, revise las siguientes piezas:

- Asa: El asa no debe tener grietas ni otros daños. Debe estar limpia, seca y libre de aceite, humedad o cualquier otro elemento que impida una sujeción firme.
- Rejilla para enfriamiento de los componentes electrónicos: La rejilla para enfriamiento de los componentes electrónicos debe estar limpia y libre de residuos.
- Módulo de la batería: El módulo de la batería debe estar limpio, seco y no debe mostrar signos de punción, impacto ni de ningún otro daño. Los contactos deben estar limpios, secos y libres de suciedad.
- Puerto de la batería: El puerto y los contactos de la batería deben estar limpios, secos y libres de suciedad.

- Gatillo variable: El gatillo variable debe funcionar sin esfuerzo y debe aumentar la velocidad del soplador con una mayor presión.
- Bloqueo del gatillo: El gatillo variable debe evitar que el motor arranque si no está presionado.
- Pantalla de entrada: La pantalla de entrada no debe estar agrietada ni dañada y debe cubrir adecuadamente la entrada de aire a fin de evitar que los residuos ingresen en la entrada.
- Tubo del soplador: El tubo del soplador no debe estar agrietado ni dañado y debe encajar perfectamente en la boquilla.
- Boquilla: La boquilla no debe estar agrietada ni dañada y debe encajar perfectamente en el tubo del soplador.
- Arnés: La tela no debe estar cortada ni deshilachada y las hebillas de ajuste y el broche no deben estar agrietados.
- Tornillos: Los tornillos deben estar bien ajustados y mantener fijo cada componente.

LIMPIEZA

⚠ PRECAUCIÓN: CUANDO LIMPIE EL SOPLADOR, NO LO SUMERJA EN AGUA NI EN OTROS LÍQUIDOS. NO LIMPIE EL SOPLADOR CON UNA HIDROLAVADORA.

- Extraiga la batería.
- Quite todos los residuos de la pantalla de entrada para asegurar un flujo de aire continuo.
- Elimine los residuos de la boquilla.
- Elimine todos los residuos del puerto de la batería y limpie los contactos.
- Limpie el polvo y los recortes del soplador.

MÓDULO DE LA BATERÍA

IMPORTANTE: LA BATERÍA NO CONTIENE PIEZAS QUE EL USUARIO PUEDA REPARAR. NO LA DESARME.

Las baterías de iones de litio tienen una duración predeterminada. Si la cantidad de tiempo de uso por carga se reduce en forma considerable con el uso normal, sin activar el modo turbo, el módulo de la batería se encuentra al final de su vida útil y debe reemplazarse.

- Asegúrese de que el módulo de la batería, incluidos los contactos, esté limpio, seco y no tenga indicios de perforación, impacto ni otro tipo de daño. Las baterías rotas pueden provocar incendios o despedir productos químicos peligrosos.
- Limpie los contactos sucios con un paño suave y seco. La suciedad o el aceite pueden provocar una conexión eléctrica deficiente, lo que produce una pérdida de energía.
- Almacene la batería con carga completa, en un cargador cuando sea posible.

CARGADOR

IMPORTANTE: EL MÓDULO DE LA BATERÍA NO CONTIENE PIEZAS QUE EL USUARIO PUEDA REPARAR. NO LO DESARME.

- Desenchufe el cargador del tomacorriente.
- Limpie los contactos sucios con un paño suave y seco.

SOLUCIÓN DE PROBLEMAS

Use esta tabla para ver las posibles soluciones para los problemas del soplador. Si estas sugerencias no resuelven el problema, consulte la sección "Garantía y servicio técnico".

SÍNTOMA	POSIBLE CAUSA	MEDIDAS RECOMENDADAS
El motor no funciona o funciona en forma intermitente.	La batería está descargada.	Recargue. Consulte la sección "Módulo de la batería y cargador".
	El bloqueo del gatillo no está presionado.	Presione el bloqueo del gatillo antes de apretar el interruptor de gatillo. Consulte la sección "Uso general".
	La batería no está completamente insertada.	Presione la batería hacia el puerto de batería hasta oír un clic al trabarse en su lugar.
	Los contactos de la batería están sucios.	Retire el módulo de la batería, retire los residuos del puerto de batería y luego limpie los contactos con un paño limpio y seco.
	El módulo de la batería está demasiado caliente o demasiado frío.	Permita que el módulo de la batería se caliente o se enfríe dentro del rango de temperatura operativa de 0 °C a 40 °C (de 32 °F a 104 °F).
	La rejilla para enfriamiento de los componentes electrónicos está obstruida.	Elimine todos los residuos de la rejilla para permitir un flujo de aire sin obstrucciones hacia el gatillo variable.
El volumen del aire y/o la velocidad de la boquilla disminuyen notablemente.	La entrada de aire está obstruida.	Elimine los residuos de la pantalla de entrada.
	La boquilla está obstruida.	Extraiga la batería, luego retire la boquilla y elimine los residuos de la boquilla.
Vibración excesiva.	El ventilador del soplador está dañado.	Haga inspeccionar el soplador en un servicio técnico aprobado.
El botón de turbo no funciona.	Use un módulo de batería de B500S 1,25 Ah.	El botón de turbo no funciona con una batería de B500S 1,25 Ah. Inserte un módulo de batería de mayor capacidad para usar el botón de turbo.
La batería no se carga.	La protección de la batería contra temperaturas altas/bajas está activada.	Esto puede ocurrir cuando el soplador se usa continuamente o está expuesto a temperaturas ambientales elevadas. Permita que el módulo de la batería alcance la temperatura aceptable antes de cargarlo. Consulte la sección "Módulo de la batería y cargador".
	Los contactos de la batería o del cargador están sucios o dañados.	Inspeccione los contactos del módulo de la batería y del cargador. Si es necesario, limpie de acuerdo con las instrucciones de este manual. Vuelva a insertar el módulo de la batería en el cargador y asegúrese de que esté completamente asentado.
	La batería está llegando al final de su vida útil.	Todas las baterías tienen una vida útil predeterminada. Si el módulo de la batería tiene más de dos años o ha sido recargado con frecuencia, tal vez sea hora de reemplazarlo. Reemplácelo únicamente con el módulo de batería especificado para este soplador.
	Hay una falla en el cargador.	Verifique el funcionamiento en un lugar de servicio técnico aprobado.

SÍNTOMA	POSIBLE CAUSA	MEDIDAS RECOMENDADAS
Se obtiene poco tiempo de uso en relación con la carga de la batería.	Se está dando un uso excesivo al botón de turbo.	Use el modo turbo solamente cuando sea necesario para mover material denso, pesado o húmedo.
	La batería no está completamente cargada.	Recargue. Consulte la sección "Módulo de la batería y cargador".
	La batería está llegando al final de su vida útil.	Todas las baterías tienen una vida útil predeterminada. Si el módulo de la batería tiene más de dos años o ha sido recargado con frecuencia, tal vez sea hora de reemplazarlo. Reemplácelo únicamente con el módulo de batería especificado para este soplador.
El indicador del estado de carga muestra una luz naranja intermitente.	Cortocircuito del cargador, excesiva corriente del cargador, exceso del límite de voltaje, circuito abierto en el módulo de la batería o error en el tiempo de espera de carga/precarga.	<ol style="list-style-type: none"> 1. Asegúrese de que el cable del cargador esté conectado al cargador y al tomacorriente. 2. Asegúrese de que el cargador reciba el voltaje correcto. 3. Intente cargar otro módulo de la batería diseñado para este cargador. <p>Si esto no corrige el problema, verifique el funcionamiento en un lugar de servicio técnico aprobado.</p>

ESPECIFICACIONES Y COMPONENTES

⚠ ADVERTENCIA: EL USO DE PIEZAS DE REPUESTO QUE NO SEAN LAS MENCIONADAS EN ESTA GUÍA AUMENTA EL RIESGO DE LESIONES. NUNCA USE ACCESORIOS DISTINTOS DE LOS DESCRITOS EN ESTE MANUAL.

COMPONENTES DE REPUESTO		NÚMERO DE PIEZA
PANTALLA DE ENTRADA		572566
BOQUILLA		572563
ARNÉS		572569
MÓDULO DE LA BATERÍA, MODELO B600E		548208
BATERÍA, MODELO B400E		545938
MÓDULO DE LA BATERÍA, MODELO B500S		545937
CARGADOR CON CABLE, MODELO C600		540580
CARGADOR RÁPIDO CON CABLE, MODELO C750		548185
CARGADOR, MODELO C600		
ENTRADA	100-240 V~ 50-60 Hz 60 W	
ENTRADA (EE. UU. Y CANADÁ ÚNICAMENTE)	120 V~ 60 Hz 60 W	
SALIDA	41,5 V $\overline{=}$ 1,25 A	
CABLE DE ALIMENTACIÓN	N.º DE PIEZA EN EE. UU./CAN.: 546636 N.º DE PIEZA EN EUROPA: 547383 N.º DE PIEZA EN EL REINO UNIDO: 547384 N.º DE PIEZA EN AU./NZ: 560663	
MÓDULO DE LA BATERÍA		
TIPO	IONES DE LITIO	
TEMPERATURAS DE FUNCIONAMIENTO	DE 0 °C A 40 °C (32 °F A 104 °F)	
MODELO	CAPACIDAD, NOMINAL	VOLTAJE, NOMINAL
B600E	4,00 Ah / 144 Wh	+36 VCC
B400E	2,40 Ah/89 Wh	+37 VCC
B500S	1,25 Ah/47 Wh	+37 VCC
SOPLADOR		
PESO EN SECO EN EL MONTAJE	2,8 kg (6,2 lb)	
VIBRACIÓN	2.5 m/s ² (K, 1.5 m/s ²)	
	ALTA VELOCIDAD	TURBO *
NIVEL DE PRESIÓN ACÚSTICA GARANTIZADO	61 dB(A)	65 dB(A)
VELOCIDAD DEL AIRE	102 mph	131 mph
VOLUMEN DE AIRE	400 cfm	507 cfm

* La función turbo no está disponible con baterías de B500S 1,25 Ah).

GARANTÍA Y SERVICIO TÉCNICO

GARANTÍA

Blount, Inc. ofrece una garantía de tres (3) años de duración para las Herramientas a batería y los Cargadores OREGON® registrados y de dos (2) años de duración para los módulos de Baterías inalámbricas OREGON® registrados a partir de la fecha de la compra original. Las Herramientas a batería, los Módulos de baterías y los Cargadores OREGON® registrados tienen una garantía de dos (2) años de duración si se utilizan para fines comerciales. Esta garantía limitada se aplica a los productos del Sistema de herramientas a batería marca OREGON®. Durante el período de garantía, Blount reemplazará o, según su decisión, reparará sin cargo toda pieza o producto adquirido por el comprador original y cuyo material o fabricación presenten fallas según el criterio de Blount después de examinarlos. El comprador deberá hacerse responsable de los gastos de transporte y de cualquier gasto por la extracción de cualquier pieza que deba ser reemplazada durante la vigencia de esta garantía.

Para registrar su producto, visite la sección "Support" (Soporte) de OregonCordless.com.

INFORMACIÓN SOBRE SERVICIO TÉCNICO Y SOPORTE

Visítenos en Internet, en OregonCordless.com, a fin de obtener información sobre los centros de servicio técnico, o comuníquese con nuestro departamento de servicio al cliente llamando al 1.888.313.8665, a fin de obtener asistencia, asesoramiento técnico adicional, reparaciones, piezas de repuesto o para registrar un producto.

Por su seguridad, use solo repuestos originales de fábrica en el soplador. Nuestro centro de atención al cliente cuenta con personal capacitado que le brindará un servicio de asistencia y soporte técnico eficiente al momento de ajustar, reparar o cambiar cualquier producto del Sistema de herramientas a batería OREGON®.



ÍNDICE

SÍMBOLOS E RÓTULOS	75
NOMES E TERMOS DO SOPRADOR	76
IDENTIFICAÇÃO DO PRODUTO	77
REGRAS DE SEGURANÇA.	78
DEFINIÇÕES DOS SINAIS DE SEGURANÇA	78
ADVERTÊNCIAS GERAIS DE SEGURANÇA DE FERRAMENTAS ELÉTRICAS	78
SEGURANÇA DA ÁREA DE TRABALHO	79
SEGURANÇA ELÉTRICA.	79
SEGURANÇA PESSOAL	79
USO E CUIDADOS DE FERRAMENTAS ELÉTRICAS	79
USO E CUIDADOS DE FERRAMENTAS A BATERIA	80
MANUTENÇÃO	80
ADVERTÊNCIAS DE SEGURANÇA DO SOPRADOR.	80
ARMAZENAMENTO, TRANSPORTE E DESCARTE	81
SEGURANÇA DA BATERIA	82
SEGURANÇA DO CARREGADOR	83
DESEMBALAGEM E MONTAGEM.	84
OPERAÇÃO DO SOPRADOR.	85
BATERIA E CARREGADOR	85
OPERAÇÃO GERAL	87
OPERAÇÃO DO SOPRADOR	89
MANUTENÇÃO E LIMPEZA	91
INSPEÇÃO	91
LIMPEZA	91
BATERIA.	92
CARREGADOR	92
SOLUÇÃO DE PROBLEMAS	93
ESPECIFICAÇÕES E COMPONENTES	95
GARANTIA E MANUTENÇÃO	96

SÍMBOLOS E RÓTULOS

Estes símbolos e rótulos aparecem no soprador e/ou neste manual.

SÍMBOLO	NOME	EXPLICAÇÃO
	CONSTRUÇÃO CLASSE II	DESIGNA FERRAMENTAS DE CONSTRUÇÃO DE ISOLAMENTO DUPLO.
	SÍMBOLO DE ALERTA DE SEGURANÇA	INDICA QUE O TEXTO QUE SE SEGUE EXPLICA UM PERIGO, UMA ADVERTÊNCIA OU UM CUIDADO.
	LEIA AS INSTRUÇÕES	O MANUAL DE INSTRUÇÕES ORIGINAL CONTÉM IMPORTANTES INFORMAÇÕES DE SEGURANÇA E FUNCIONAMENTO. LEIA E SIGA AS INSTRUÇÕES CUIDADOSAMENTE.
	USE PROTEÇÃO OCULAR	USE PROTEÇÃO OCULAR QUE CUMPRE OS PADRÕES DA ANSI Z 87.1 (OU SUA NORMA NACIONAL ADEQUADA) DURANTE A OPERAÇÃO DO SOPRADOR.
	USE PROTEÇÃO AURICULAR	A OREGON® RECOMENDA O USO DE PROTEÇÃO AURICULAR DURANTE A OPERAÇÃO DO SOPRADOR.
	USE CALÇAS COMPRIDAS	USE CALÇAS COMPRIDAS DURANTE A OPERAÇÃO DO SOPRADOR.
	USE PROTEÇÃO PARA OS PÉS	USE BOTAS FECHADAS ADEQUADAS DURANTE A OPERAÇÃO DO SOPRADOR.
	PRESSÃO SONORA	NÍVEL DE PRESSÃO SONORA GARANTIDO
	NÃO USE UMA ESCADA DE MÃO	NUNCA SUBA EM UMA ESCADA DE MÃO QUANDO OPERANDO O SOPRADOR.
	NÃO INCINERE	NÃO DESCARTE NO FOGO.
	NÃO DESCARTE	NÃO JOGUE NO LIXO DOMÉSTICO. LEVE PARA UM RECICLADOR AUTORIZADO.
	NÃO EXPONHA À CHUVA	NÃO OPERE O CARREGADOR EM CONDIÇÕES DE UMIDADE EXTREMA.
	SOMENTE PARA USO INTERNO	O CARREGADOR SE DESTINA SOMENTE PARA USO INTERNO.
	TEMPERATURA DE OPERAÇÃO	USE A BATERIA SOMENTE EM UMA TEMPERATURA ENTRE 0 °C E 40 °C (32 °F A 104 °F).
	REMOVA A BATERIA	REMOVA A BATERIA ANTES DE REALIZAR QUALQUER MANUTENÇÃO.
	REMOVA A BATERIA ANTES DE TRANSPORTAR	REMOVA A BATERIA DO SOPRADOR ANTES DE ARMAZENAR, TRANSPORTAR OU DESCARTAR.
	ZONA DE SEGURANÇA DE TRANSEUNTES	ESTABELEÇA UMA ZONA DE SEGURANÇA DE TRANSEUNTES DE 5 M (16 PÉS) EM TORNO DO OPERADOR.
	RISCO DE EMBARAÇO	MANTENHA CABELOS, ROUPAS FROUXAS, DEDOS E TODAS AS PARTES DO CORPO LONGE DAS ABERTURAS.
	RISCO DE LANÇAMENTO DE OBJETOS	NÃO APONTE O EQUIPAMENTO PARA PESSOAS OU ANIMAIS DURANTE A OPERAÇÃO.
	VENTILADOR	NÃO INTRODUZA OS DEDOS NO SOPRADOR E NÃO OPERE SE A TELA DE ENTRADA ESTIVER DANIFICADA.

NOMES E TERMOS DO SOPRADOR

Entrada de ar: A abertura situada na parte traseira, através da qual o ar é puxado pelo ventilador do soprador.

Guias de alinhamento: Saliências no bocal do soprador no qual o tubo é montado.

Fendas para alinhamento: Os entalhes situados no tubo que se encaixam nas guias ao se prender o tubo no bocal do soprador.

Ventilador do soprador: A peça giratória no interior do soprador que movimenta o ar.

Bocal do soprador: A saliência redonda na parte frontal do soprador no qual o tubo é montado.

Zona de segurança de transeuntes: Um círculo de 5 m (16 pés) em torno do operador que deve ficar livre de transeuntes, crianças e animais de estimação.

Abertura de resfriamento dos componentes eletrônicos: A porta na parte frontal da alça que permite o fluxo de ar para resfriamento dos circuitos eletrônicos internos.

Alça: A porção do soprador que é segurada pelo operador, que incorpora o acionador variável, a trava do acionador e o botão turbo.

Arnês de segurança: Um dispositivo de segurança usado pelo operador e conectado ao soprador que ajuda a distribuir o peso do soprador.

Alças de fixação do arnês de segurança: Pontos no soprador aos quais o arnês de segurança pode ser conectado.

Tela de entrada: Cobertura situada na entrada de ar que ajuda a evitar que objetos ou dedos sejam sugados até o ventilador do soprador.

Tubo: Parte cilíndrica longa encaixada ao soprador para direcionar o ar.

Trava do acionador: Uma trava móvel que evita a operação involuntária da unidade do acionador variável até que acionado manualmente.

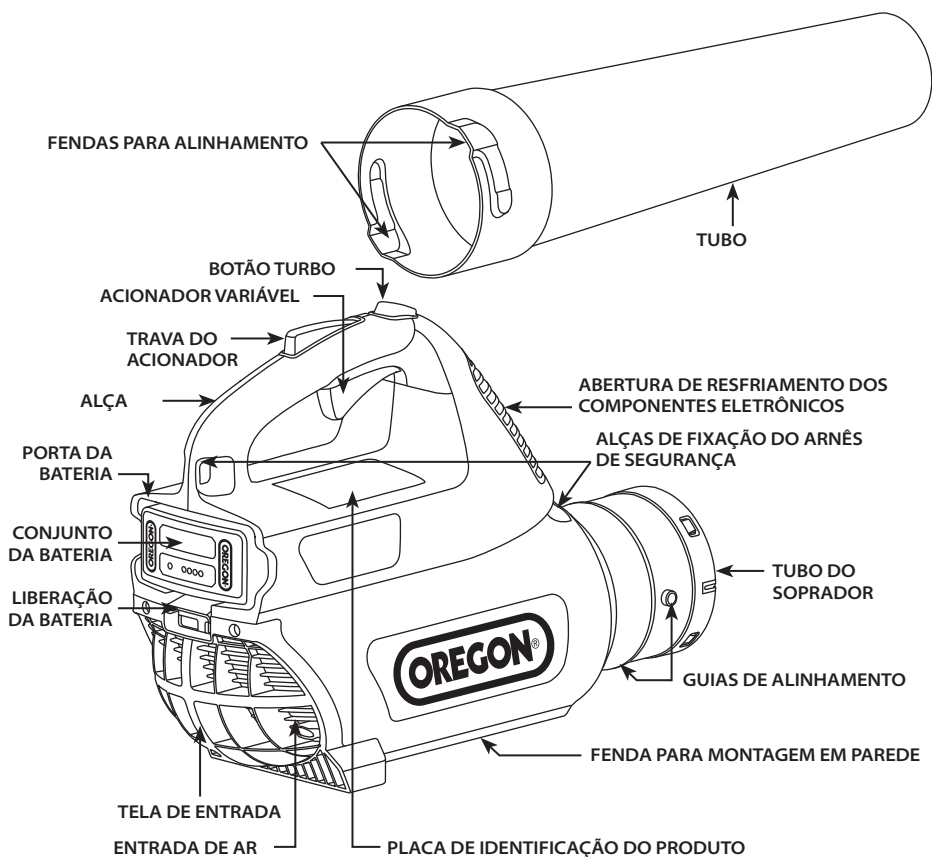
Turbo: Potência extra aplicada ao motor do soprador ao se pressionar o botão turbo (a função turbo não está disponível com uma bateria de B500S 1,25 Ah).

Acionador de velocidade variável: Um dispositivo que liga ou desliga o soprador e permite que o usuário ajuste a velocidade do soprador. Uma pressão mais firme sobre o acionador aumenta o fluxo de ar através do tubo.

Fenda para montagem em parede: O entalhe situado na parte inferior do soprador que pode ser usado para pendurar a ferramenta durante seu armazenamento.

IDENTIFICAÇÃO DO PRODUTO

CONHEÇA O SOPRADOR





OBSERVAÇÃO: Consulte "Desembalagem e Montagem" para ver a lista de itens incluídos.

INTRODUÇÃO

Este soprador se destina à limpeza de detritos leves, como aparas de grama, folhas, galhos finos, papel e poeira de superfícies planas. Esta ferramenta destina-se apenas para uso doméstico. Outros usos podem aumentar a possibilidade de lançamento de objetos perigosos. Leia e siga estas instruções para minimizar o risco e maximizar a satisfação.

REGRAS DE SEGURANÇA

DEFINIÇÕES DOS SINAIS DE SEGURANÇA

SÍMBOLO	SINAL	SIGNIFICADO
	ADVERTÊNCIA	INDICA UM PERIGO POTENCIAL QUE PODE CAUSAR LESÕES SÉRIAS.
	CUIDADO	INDICA UM PERIGO POTENCIAL QUE PODE DANIFICAR SERIAMENTE A FERRAMENTA OU CAUSAR LESÕES PEQUENAS A MODERADAS.
	IMPORTANTE	SEGUIR ESTA INSTRUÇÃO AUMENTARÁ A SATISFAÇÃO COM A FERRAMENTA.

ADVERTÊNCIAS GERAIS DE SEGURANÇA DE FERRAMENTAS ELÉTRICAS

⚠ ADVERTÊNCIA: LEIA E ENTENDA TODAS AS ADVERTÊNCIAS E INSTRUÇÕES DE SEGURANÇA. A FALHA EM SEGUIR TODAS AS ADVERTÊNCIAS E INSTRUÇÕES PODE RESULTAR EM CHOQUE ELÉTRICO, INCÊNDIO E/OU LESÃO PESSOAL SÉRIA.

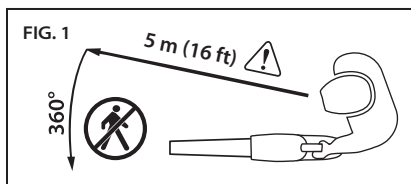


⚠ ADVERTÊNCIA: ESTA FERRAMENTA ELÉTRICA NÃO SE DESTINA AO USO POR PESSOAS (INCLUINDO CRIANÇAS) COM CAPACIDADE MENTAL, FÍSICA OU SENSORIAL REDUZIDA OU COM FALTA DE EXPERIÊNCIA E CONHECIMENTO, A MENOS QUE TENHAM RECEBIDO SUPERVISÃO OU INSTRUÇÃO SOBRE O USO DE UMA PESSOA RESPONSÁVEL POR SUA SEGURANÇA. AS CRIANÇAS DEVERÃO SER SUPERVISIONADAS PARA GARANTIR QUE NÃO BRINQUEM COM O EQUIPAMENTO.

PRESERVE TODAS AS ADVERTÊNCIAS E INSTRUÇÕES PARA CONSULTA FUTURA. O TERMO "FERRAMENTA ELÉTRICA" NAS ADVERTÊNCIAS SE REFERE À FERRAMENTA ALIMENTADA PELA REDE ELÉTRICA (COM FIO) OU À FERRAMENTA ALIMENTADA POR BATERIA (SEM FIO).

SEGURANÇA DA ÁREA DE TRABALHO

- Mantenha a área de trabalho limpa e bem iluminada. Áreas congestionadas ou escuras são um convite para acidentes.
- Não opere ferramentas elétricas em atmosferas explosivas, como na presença de líquidos, gases ou poeira inflamáveis. Ferramentas elétricas podem gerar faíscas que podem inflamar a poeira ou os vapores.
- Mantenha as crianças e os transeuntes afastados ao operar uma ferramenta elétrica (Fig. 1). Distrações podem fazer com que você perca o controle.



⚠ CUIDADO: ESTABELEÇA UMA ZONA DE SEGURANÇA DE TRANSEUNTES DE 5 M (16 PÉS) ANTES DE OPERAR ESTE EQUIPAMENTO.

A zona de segurança de transeuntes é um círculo de 5 m (16 pés) em torno do operador que deve ficar livre de transeuntes, crianças e animais de estimação.

SEGURANÇA ELÉTRICA

- Os plugues do carregador deverão corresponder à tomada. Nunca modifique o plugue. Plugues não modificados e tomadas correspondentes reduzirão o risco de choque elétrico.
- Não exponha o carregador à chuva ou a condições de umidade extrema. A entrada de água no carregador aumentará o risco de choque elétrico.
- Não abuse do fio. Nunca use o fio para carregar, puxar ou desconectar o carregador. Mantenha o fio longe de calor, óleo, pontas afiadas ou peças móveis. Fios danificados ou emaranhados aumentam o risco de choque elétrico.

SEGURANÇA PESSOAL

- Permaneça alerta, preste atenção ao que está fazendo e use o bom senso ao operar uma ferramenta elétrica. Não use a ferramenta elétrica quando estiver cansado ou sob a influência de drogas, álcool ou medicamentos. Um momento de desatenção durante a operação de ferramentas elétricas pode causar lesões pessoais graves.

- Use equipamento de proteção pessoal. Sempre use proteção ocular. Equipamento de proteção, como máscara contra poeira, botas antiderrapantes, calças compridas ou proteção auricular, usado para condições adequadas, reduz o risco de lesões pessoais.
- Evite o acionamento não intencional. Certifique-se de que seu dedo não esteja sobre o acionador variável antes de inserir a bateria, apanhar ou carregar ferramenta. Carregar ferramentas elétricas com o dedo sobre a chave comutadora ou ligar ferramentas elétricas que estejam com a chave comutadora ligada são um convite a acidentes.
- Se vista adequadamente. Não use roupas largas ou joias. Mantenha o cabelo, roupas e luvas longe de qualquer peça móvel. Roupas largas, joias ou cabelo comprido podem ficar presos nas peças móveis.

USO E CUIDADOS DE FERRAMENTAS ELÉTRICAS

- Não force a ferramenta elétrica. Use a ferramenta elétrica correta para sua aplicação. A ferramenta elétrica correta executará a tarefa de uma forma melhor e mais segura na velocidade para a qual foi projetada.
- Não use a ferramenta elétrica se o acionador variável não ligá-la ou desligá-la. Qualquer ferramenta elétrica que não pode ser controlada pela chave comutadora é perigosa e precisa ser reparada.
- Remova a bateria antes de fazer qualquer ajuste, mudar acessórios ou armazenar a ferramenta. Essas medidas preventivas de segurança reduzem o risco de acionar a ferramenta acidentalmente.
- Guarde ferramentas elétricas ociosas fora do alcance de crianças e não permita que pessoas não familiarizadas com a ferramenta ou com estas instruções operem a ferramenta elétrica. Ferramentas elétricas são perigosas nas mãos de usuários não treinados.
- Faça a manutenção das ferramentas elétricas. Verifique a existência de desalinhamento ou a aderência de peças móveis, a quebra de peças e qualquer outra condição que possa afetar a operação da ferramenta elétrica. Caso a ferramenta esteja danificada, faça sua manutenção antes de usá-la. Consulte "Inspeção" neste manual. Muitos acidentes são causados por ferramentas elétricas com manutenção deficiente.

- Use a ferramenta, seus acessórios e peças etc. de acordo com estas instruções, levando em consideração as condições de trabalho e a tarefa a ser executada. *O uso de ferramentas elétricas para operações diferentes das previstas podem causar uma situação de risco.*

USO E CUIDADOS DE FERRAMENTAS A BATERIA

- Faça a recarga somente com o carregador especificado pelo fabricante.
Um carregador adequado para um tipo de bateria pode criar um risco de incêndio quando usado com outra bateria.
- Use ferramentas elétricas somente com as baterias designadas. *O uso de qualquer outra bateria pode criar risco de lesão e incêndio.*
- Quando a bateria não estiver sendo usada, mantenha-a longe de objetos metálicos, como cliques de papel, moedas, chaves, pregos, parafusos ou outros objetos metálicos pequenos que podem fazer uma conexão entre um terminal e outro. *Colocar os terminais da bateria em curto pode provocar queimaduras ou incêndio.*
- Em condições abusivas, pode sair líquido da bateria; evite o contato. *Se ocorrer contato acidentalmente, lave bem com água. Se o líquido entrar em contato com os olhos, procure ajuda médica. O líquido que sai da bateria pode causar irritação ou queimaduras.*

MANUTENÇÃO

Providencie a manutenção da sua ferramenta elétrica e do carregador por um técnico de manutenção qualificado, usando apenas peças de reposição idênticas. Isso garantirá que a segurança da ferramenta elétrica seja mantida. Tentar o reparo ou a manutenção fora do escopo deste manual ou a não realização da inspeção e limpeza recomendada pode causar a recusa de reclamações em garantia.

ADVERTÊNCIAS DE SEGURANÇA DO SOPRADOR



⚠ ADVERTÊNCIA: O USO DE UM SOPRADOR MONTADO INADEQUADAMENTE PODE CAUSAR GRAVES LESÕES PESSOAIS. USE ESTA FERRAMENTA SOMENTE DEPOIS QUE ELA TIVER SIDO ADEQUADAMENTE MONTADA DE ACORDO COM A SEÇÃO “DESEMBALAGEM E MONTAGEM” DESTA MANUAL.

⚠ ADVERTÊNCIA: O SOPRADOR PODE SER PERIGOSO NAS MÃOS DE USUÁRIOS NÃO TREINADOS. NÃO PERMITA QUE PESSOAS NÃO FAMILIARIZADAS COM O SOPRADOR OU COM ESTAS INSTRUÇÕES OPEREM O EQUIPAMENTO.

⚠ ADVERTÊNCIA: USAR O SOPRADOR COMO BRINQUEDO PODE CAUSAR LESÕES PESSOAIS. NÃO APONTE O SOPRADOR NA DIREÇÃO DE PESSOAS OU ANIMAIS DE ESTIMAÇÃO, NUNCA INTRODUZA QUALQUER OBJETO NO TUBO E NÃO SOPRE DETRITOS NA DIREÇÃO DE TRANSEUNTES OU ANIMAIS.

⚠ ADVERTÊNCIA: O USO INADEQUADO PODE CAUSAR LESÕES PESSOAIS OU DANOS À PROPRIEDADE. O OPERADOR É RESPONSÁVEL POR ACIDENTES OU DANOS À PROPRIEDADE RESULTANTES DO NÃO CUMPRIMENTO DESTAS INSTRUÇÕES.

⚠ ADVERTÊNCIA: O VENTILADOR DO SOPRADOR SITUADO ENTRE A ENTRADA DE AR E AS ABERTURAS DE SAÍDA GIRA SEMPRE QUE O MOTOR ESTÁ FUNCIONANDO. PARA REDUZIR O RISCO DE LESÕES DECORRENTES DO CONTATO COM O VENTILADOR, NUNCA OPERE O SOPRADOR SEM QUE O TUBO ESTEJA ADEQUADAMENTE MONTADO NO BOCAL OU COM UMA TELA DE ENTRADA DANIFICADA OU AUSENTE.

⚠ ADVERTÊNCIA: NÃO É SEGURO OPERAR O SOPRADOR SE ELE ESTIVER DANIFICADO OU MODIFICADO. NUNCA MODIFIQUE ESTA FERRAMENTA ELÉTRICA EM QUALQUER HIPÓTESE. EM CASO DE QUEDA, SEMPRE INSPECIONE O SOPRADOR ANTES DE CONTINUAR A TRABALHAR. VERIFIQUE, PARTICULARMENTE, SE OS CONTROLES E DISPOSITIVOS DE SEGURANÇA ESTÃO FUNCIONANDO ADEQUADAMENTE. CONSULTE A SEÇÃO "INSPEÇÃO" NESTE MANUAL. NÃO CONTINUE A OPERAÇÃO DO EQUIPAMENTO SE O MESMO ESTIVER DANIFICADO.

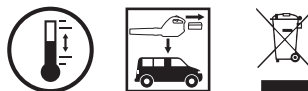
⚠ ADVERTÊNCIA: RESPIRAR PÓ DE AMIANTO É PERIGOSO E PODE CAUSAR DOENÇAS GRAVES OU FATAIS, DOENÇAS RESPIRATÓRIAS OU CÂNCER. O USO E O DESCARTE DE PRODUTOS CONTENDO AMIANTO FORAM RIGOROSAMENTE REGULAMENTADOS PELA OSHA E PELA AGÊNCIA DE PROTEÇÃO AMBIENTAL. CASO VOCÊ TENHA MOTIVOS PARA ACREDITAR QUE ESTÁ SOPRANDO OU DISSEMINANDO PÓ DE AMIANTO, ENTRE EM CONTATO IMEDIATAMENTE COM A (EPA) AGÊNCIA DE PROTEÇÃO AMBIENTAL, COM SEU EMPREGADOR OU COM UM REPRESENTANTE LOCAL DA OSHA.

⚠ ADVERTÊNCIA: PÓ QUE TENHA SÍLICA EM SUA COMPOSIÇÃO PODE CONTER SÍLICA CRISTALINA. SÍLICA É UM COMPONENTE BÁSICO DA AREIA, QUARTZO, TIJOLOS, BARRO, GRANITO E DE VÁRIOS OUTROS MINERAIS E ROCHAS, INCLUINDO PRODUTOS DE ALVENARIA E CONCRETO. A INALAÇÃO REPETITIVA E/OU SUBSTANCIAL DE SÍLICA CRISTALINA PRESENTE NO AR PODE CAUSAR DOENÇA RESPIRATÓRIA GRAVE OU FATAL, INCLUINDO SILICOSE. ALÉM DISSO, O ESTADO DA CALIFÓRNIA E ALGUMAS OUTRAS AUTORIDADES CLASSIFICARAM A SÍLICA CRISTALINA RESPIRÁVEL COMO UMA SUBSTÂNCIA SABIDAMENTE CAUSADORA DE CÂNCER. AO SE DEPARAR COM ESSES MATERIAIS, SEMPRE SIGA AS PRECAUÇÕES RESPIRATÓRIAS APROVADAS PELA NIOSH/MSHA PARA O TIPO DE PÓ ENCONTRADO.

⚠ CUIDADO: OBJETOS QUE CAÍREM NO INTERIOR DO VENTILADOR DO SOPRADOR PODEM DANIFICÁ-LO OU SER LANÇADOS ATRAVÉS DO TUBO. NÃO INTRODUZA QUALQUER OBJETO NA ENTRADA DE AR.

⚠ CUIDADO: A INALAÇÃO DE CERTOS PÓS, PRINCIPALMENTE DE ORIGEM ORGÂNICA, COMO MOFO OU PÓLEN, PODE CAUSAR REAÇÕES ALÉRGICAS OU ASMÁTICAS EM PESSOAS SUSCETÍVEIS. A INALAÇÃO SUBSTANCIAL OU REPETITIVA DE PÓ OU DE OUTROS AGENTES CONTAMINANTES PRESENTES NO AR, PARTICULARMENTE PARTÍCULAS MENORES, PODE CAUSAR DOENÇAS RESPIRATÓRIAS OU OUTRAS ENFERMIDADES. CONTROLE O PÓ NA ORIGEM, SEMPRE QUE POSSÍVEL. OPERE A UNIDADE DE MANEIRA QUE O VENTO OU O AR DO SOPRADOR DIRECIONE A POEIRA PARA LONGE DO OPERADOR. SIGA AS RECOMENDAÇÕES DA EPA/OSHA/NIOSH E DAS ASSOCIAÇÕES OCUPACIONAIS E DE COMÉRCIO COM RESPEITO À POEIRA ("MATERIAL PARTICULADO"). QUANDO A INALAÇÃO DE PÓ NÃO PODE SER MANTIDA EM NÍVEIS MÍNIMOS OU PRÓXIMO A ELE, O OPERADOR E OS TRANSEUNTES DEVEM USAR UM RESPIRADOR APROVADO PELA NIOSH/MSHA PARA O TIPO DE PÓ ENCONTRADO.

ARMAZENAMENTO, TRANSPORTE E DESCARTE



ARMAZENAMENTO DO SOPRADOR

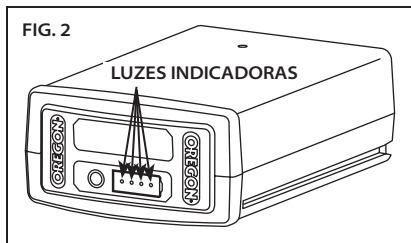
- Remova a bateria do soprador.
- Limpe o soprador por completo.
- Armazene em um lugar seco.
- Mantenha fora do alcance de crianças ou animais.

ARMAZENAMENTO DA BATERIA

Ao armazenar a bateria por mais de nove meses, siga estas instruções:

- Remova a bateria do soprador.
- Armazene em um lugar fresco e seco.
- Mantenha fora do alcance de crianças ou animais.

- Para prolongar a vida da bateria, nunca a armazene quando estiver completamente descarregada (sem luzes indicadoras acesas) (Fig. 2).



- Para obter a vida útil máxima da bateria, certifique-se de que a mesma seja carregada uma vez por ano ou quando o indicador LED mostrar apenas uma luz.
- Armazene em temperaturas entre -20 °C e 30 °C (-4 °F e 86 °F).

ARMAZENAMENTO DO SOPRADOR

- Desconecte o carregador da fonte de alimentação.
- Armazene em um lugar seco.
- Mantenha fora do alcance de crianças ou animais.

Consulte a seção "Manutenção e limpeza" para obter informações adicionais.

TRANSPORTE DO SOPRADOR

- Remova a bateria do soprador.
- As ferramentas podem se deslocar durante o transporte. Certifique-se de que a ferramenta esteja presa e não possa cair ou entrar em contato com pessoas ou propriedade.

TRANSPORTE DA BATERIA

Observe os respectivos regulamentos locais e nacionais ao enviar baterias de íon de lítio. Pode ser necessária rotulagem obrigatória.

DESCARTE DO SOPRADOR E DO CARREGADOR

Este produto da OREGON® foi projetado e fabricado com material e componentes de alta qualidade que podem ser reciclados e reutilizados. Descarte este equipamento de maneira ecologicamente correta em um centro de reciclagem/coleta de resíduos da sua comunidade local.

DESCARTE DA BATERIA

Não descarte a bateria no lixo doméstico normal ou tampouco a incinere. Os órgãos de controle de resíduos e as agências de reciclagem locais têm instruções sobre o descarte ou a reciclagem adequados. As baterias podem ser coletadas, nos Estados Unidos ou no Canadá, através da Rechargeable Battery Recycling Corporation (Empresa de reciclagem de baterias recarregáveis). A OREGON® já pagou as despesas envolvidas na reciclagem das baterias. Devolva baterias em final de vida a um centro de varejo ou de reciclagem participante. Os locais para devolução e mais informações podem ser encontrados em www.call2recycle.org ou 1-800-8BATTERY.



SEGURANÇA DA BATERIA

⚠ ADVERTÊNCIA: OS CUIDADOS INADEQUADOS COM A BATERIA PODEM FAZER COM QUE ELA VAZE PRODUTOS QUÍMICOS PERIGOSOS, SUPERAQUEÇA, SOLTE FUMAÇA, QUEIME, INFLAME, EXPLUDA E/OU ENTRE EM IGNIÇÃO. SIGA ESTAS REGRAS DE SEGURANÇA.

⚠ CUIDADO: NÃO DESCARTE A BATERIA NO LIXO DOMÉSTICO E TAMPOUCO NO FOGO. AS BATERIAS DE ÍON DE LÍTIO DEVERÃO SER REICLADAS POR UM REICLADOR AUTORIZADO.

IMPORTANTE: A EXPOSIÇÃO AO CALOR EXCESSIVO PODE PROVOCAR A PERDA DE DESEMPENHO E/OU A REDUÇÃO DA VIDA ÚTIL DA BATERIA. NÃO EXPONHA A BATERIA A CALOR EXCESSIVO, COMO O INTERIOR DE UM VEÍCULO EM UM CLIMA QUENTE.

- Não tente recarregar uma bateria não recarregável.
- Não desmonte ou modifique a bateria. Isso pode danificar características de segurança.

- Não conecte os terminais positivo (+) e negativo (-) a objetos metálicos ou tampouco armazene a bateria com objetos metálicos, como moedas ou parafusos. Isso pode causar curto-circuitos e gerar calor suficiente para causar queimaduras.
- Não incinere a bateria ou a exponha a calor excessivo. Isso pode derreter o isolamento ou danificar características de segurança.
- Não use, carregue ou armazene a bateria perto de uma fonte de calor acima de 80 °C (176 °F). Isso pode causar superaquecimento e curto-circuito interno.
- Não a exponha a condições de umidade extrema. Isso pode danificar características de segurança, resultar em carregamento com tensão e corrente extremamente altas e causar reações químicas anormais.
- Use somente o carregador especificado para a bateria e observe as precauções de segurança descritas em "Segurança do carregador". O uso de outro carregador pode danificar características de segurança, resultar em carregamento com tensão e corrente extremamente altas e causar reações químicas anormais.
- Não use baterias da marca OREGON® em ferramentas de outra marca.
- Não golpeie, perfure ou arremesse a bateria e não use uma bateria danificada ou deformada.
- Se houver falha na recarga, não tente recarregar.
- Se a bateria exalar um odor, gerar calor, perder a cor ou ficar deformada ou parecer, de qualquer maneira, anormal durante o uso, recarga ou armazenamento, remova-a imediatamente do equipamento ou do carregador.
- Qualquer líquido que vazar da bateria é corrosivo, pode causar danos aos olhos e a pele e pode ser tóxico se for ingerido.

SEGURANÇA DO CARREGADOR

INSTRUÇÕES DE SEGURANÇA IMPORTANTES

⚠ ADVERTÊNCIA: RISCO DE CHOQUE ELÉTRICO. ASSEGURE-SE DE QUE A UNIDADE DE ALIMENTAÇÃO E O FIO NÃO INTERFIRAM COM O FECHAMENTO COMPLETO DA TAMPA DO RECEPTÁCULO.

IMPORTANTE: ESSE CARREGADOR NÃO DEVERÁ SER USADO POR PESSOAS (INCLUINDO CRIANÇAS) COM CAPACIDADE MENTAL, FÍSICA OU SENSORIAL REDUZIDA OU COM FALTA DE CONHECIMENTO, A MENOS QUE TENHAM RECEBIDO SUPERVISÃO OU INSTRUÇÃO DE UMA PESSOA RESPONSÁVEL POR SUA SEGURANÇA. AS CRIANÇAS DEVERÃO SER SUPERVISIONADAS PARA GARANTIR QUE NÃO BRINQUEM COM OS APARELHOS.

IMPORTANTE: USE ESTE CARREGADOR SOMENTE COM O CABO DE ALIMENTAÇÃO FORNECIDO, CERTIFICANDO-SE DE QUE O PLUGUE DE ENTRADA CORRESPONDA CORRETAMENTE AO RECEPTÁCULO DE SAÍDA.

Ao usar produtos elétricos, sempre devem ser seguidas precauções básicas, incluindo o seguinte:

- **Leia e siga todas as instruções de segurança antes do uso.** *Leia e siga todas as instruções que estejam no produto ou sejam fornecidas com o mesmo.*
- **Guarde estas instruções.**
- **Não use um cabo de extensão.**
- **Cabos danificados ou emaranhados aumentam o risco de choque elétrico.** *Não abuse do cabo. Nunca use o cabo para carregar, puxar ou desconectar a ferramenta elétrica. Mantenha o cabo longe de calor, óleo, pontas afiadas ou peças móveis.*
- **Não exponha o carregador à chuva.** *Somente para uso interno.*
- **Não use a menos de 3 m (10 pés) de uma piscina.**

DESEMBALAGEM E MONTAGEM

DESEMBALAGEM

O QUE VEM NA CAIXA?

Alguma montagem é necessária antes do uso do soprador. Os itens a seguir acompanham o soprador:

- Soprador
- Tubo
- Arnês de segurança
- Carregador e cabo de alimentação (se for o caso)
- Bateria (se for o caso)

Depois de retirar o soprador da caixa, inspecione-o cuidadosamente para garantir que não tenham ocorrido danos durante o transporte e que nenhuma peça esteja faltando. Em caso de dano ou falta de peças, não use o soprador. Entre em contato com o Sistema de ferramentas à bateria OREGON®, no telefone 888.313.8665, para solicitar peças de reposição.

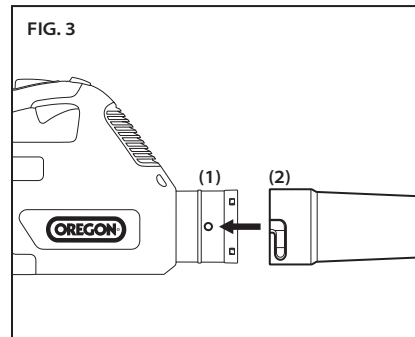
MONTAGEM

⚠ ADVERTÊNCIA: SOMENTE OPERE O SOPRADOR COM O TUBO ADEQUADAMENTE MONTADO.

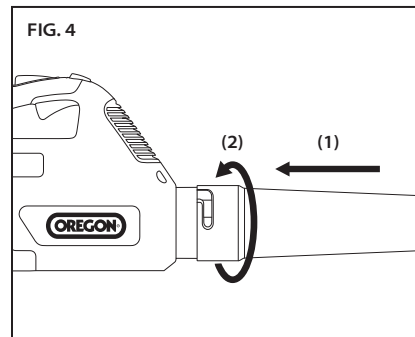
⚠ ADVERTÊNCIA: UMA FERRAMENTA OPERADA POR BATERIA COM UMA BATERIA INSERIDA PODE COMEÇAR A FUNCIONAR ACIDENTALMENTE. REMOVA A BATERIA ANTES DA MONTAGEM OU ANTES DE REALIZAR QUALQUER MANUTENÇÃO.

Antes de usar o soprador, conecte o tubo ao bocal do soprador.

- Oriente o tubo de modo que as duas guias (1) situadas no bocal se alinhem com as duas fendas (2) situadas no tubo (Fig. 3).



- Pressione o tubo no bocal (1) e gire um quarto de volta (2) para travar (Fig. 4).



OPERAÇÃO DO SOPRADOR

BATERIA E CARREGADOR

⚠ ADVERTÊNCIA: PARA REDUZIR O RISCO DE CHOQUE, NÃO CARREGUE A BATERIA NA CHUVA.

INDICADOR LED DO NÍVEL DE CARGA DA BATERIA

A bateria de íon de lítio está equipada com um indicador LED de nível de carga. Para testar o nível de carga da bateria, pressione o botão do indicador na face da bateria (Fig. 5).

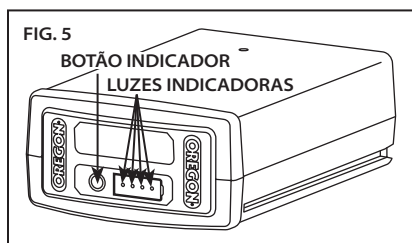
Sem luz: recarregue.

Uma luz verde constante:
menos de 25% carregada.
Carregue a bateria antes do uso.

Duas luzes verdes constantes:
26-50% carregada.

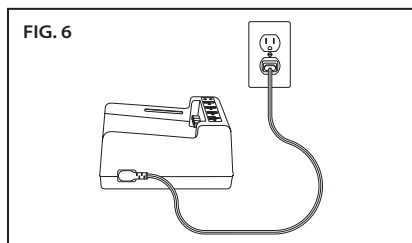
Três luzes verdes constantes:
51-75% carregada.

Quatro luzes verdes constantes:
76-100% carregada.



CONEXÃO DO CARREGADOR

Se o carregador incluir um cabo de alimentação separado, conecte o cabo ao carregador e à tomada elétrica adequada (Fig. 6).



Use somente o conjunto de cabos fornecido com o carregador. No primeiro uso, verifique se o tipo de plugue corresponde ao receptáculo.

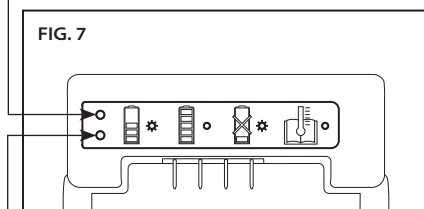
INDICADOR LED DE ESTADO DE CARGA DO CARREGADOR

O carregador de bateria está equipado com um indicador LED de estado de carga que indica o estado da carga e também as condições que podem atrasar ou impedir o carregamento (Fig. 7).

Observação: Nenhuma luz será visível antes da introdução de uma bateria.

Luz laranja piscando: existe uma condição de falha. Há várias causas possíveis. Consulte "Solução de problemas" neste manual.

Luz laranja constante: a temperatura da bateria está além da faixa aceitável (0 °C/32 °F a 40 °C/104 °F). Aguarde até que as baterias atinjam a faixa de temperatura aceitável, antes de carregar. A bateria pode ficar no carregador enquanto a temperatura se ajusta. O carregamento começará quando a temperatura adequada for atingida.



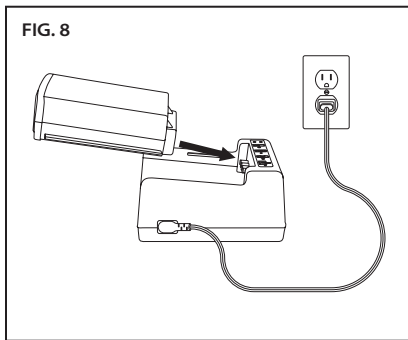
Luz verde piscando: a bateria está carregando.

Luz verde constante: a bateria está pronta para uso.

CARGA DAS BATERIAS

⚠ ADVERTÊNCIA: A FALHA EM SEGUIR OS PROCEDIMENTOS DE CARREGAMENTO ADEQUADOS PODE PROVOCAR TENSÃO EXCESSIVA, FLUXO DE CORRENTE EXCESSIVO, PERDA DE CONTROLE DURANTE A CARGA, VAZAMENTO DE PRODUTOS QUÍMICOS PERIGOSOS, GERAÇÃO DE CALOR, QUEIMADURAS OU INCÊNDIO. SIGA ESTAS INSTRUÇÕES PARA CARGA.

Com o cabo do carregador conectado ao carregador e a uma tomada elétrica, alinhe as ranhuras da bateria com os trilhos no carregador e deslize a bateria no carregador até que esteja completamente encaixada (Fig. 8).

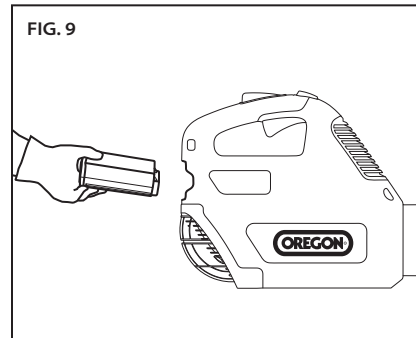


Verifique o indicador do estado de carga quanto às condições da carga.

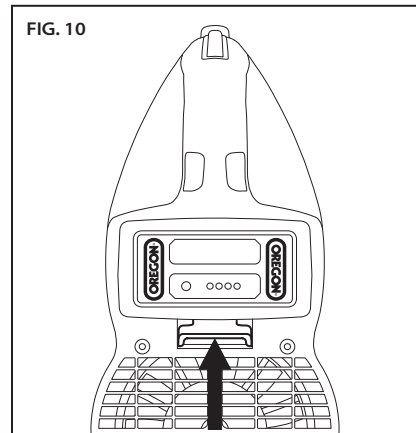
INTRODUÇÃO E LIBERAÇÃO DA BATERIA

Use somente as baterias OREGON® especificadas nestas instruções de operação.

Alinhe as ranhuras da bateria com os trilhos no interior da porta da bateria. Introduza firmemente a bateria na porta situada no soprador, pressionando até que ela trave no lugar (Fig. 9).



Para remover a bateria, levante a alavanca de liberação, segure a bateria pelos lados e remova-a (Fig. 10).



OPERAÇÃO GERAL



⚠ ADVERTÊNCIA: PARA REDUZIR O RISCO DE LESÕES, SEMPRE USE BOTAS ADEQUADAS, CALÇAS COMPRIDAS E PROTEÇÃO AURICULAR E OCULAR.

⚠ ADVERTÊNCIA: PARA REDUZIR O RISCO DE LESÕES, NÃO APONTE O SOPRADOR NA DIREÇÃO DO OPERADOR, TRANSEUNTES OU ANIMAIS DE ESTIMAÇÃO.

⚠ ADVERTÊNCIA: PARA REDUZIR O RISCO DE LESÕES, NÃO SE ESTIQUE EM EXCESSO E NÃO SUBA EM UMA ESCADA MANUAL, BANCO OU EM QUALQUER POSIÇÃO ELEVADA QUE NÃO SEJA TOTALMENTE SEGURA.

TEMPERATURA DE OPERAÇÃO

Este soprador se destina a funcionar em uma faixa de temperatura de 0 °C a 40 °C (32 °F a 104 °F).

ALÇA

O soprador pode ser usado com qualquer uma das mãos. Segure a alça com a mão e envolva os dedos firmemente, incluindo o polegar, em torno da alça (Fig. 11).



FIG. 11

SEGURE COM A MÃO TODA

APOIO DOS PÉS

Fique de pé com ambos os pés plantados em solo firme, com o peso distribuído uniformemente entre eles (Fig. 12).

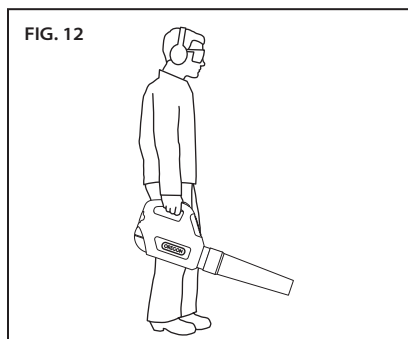


FIG. 12

Tenha cuidado em escadas e trabalhe lentamente para manter o apoio dos pés. Nunca corra quando operar o soprador.

USO DO ARNÊS DE SEGURANÇA

O arnês de segurança ajuda a distribuir o peso do soprador pelo corpo, aumentando o conforto para uso prolongado.

Esse arnês de segurança é equipado com uma trava de liberação rápida que pode ser acionada com uma das mãos (Fig. 13).

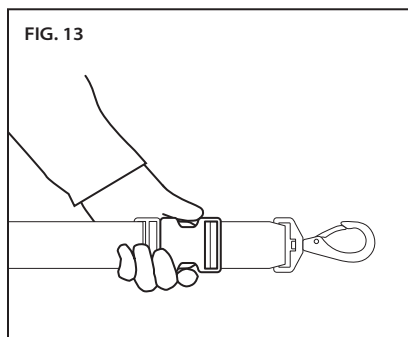
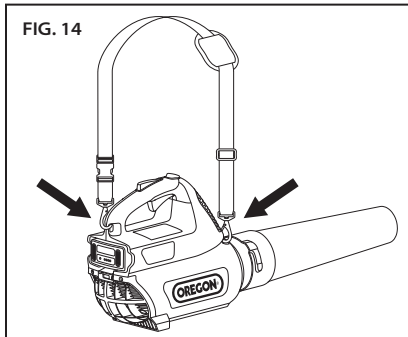
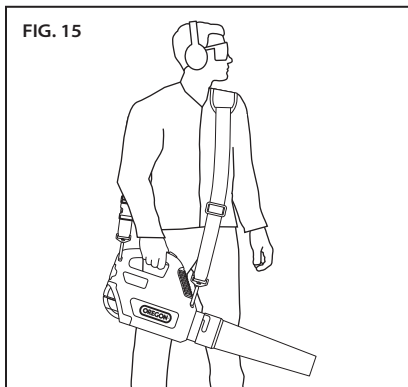


FIG. 13

- Prenda os grampos do arnês às alças de fixação com a fivela de ajuste na frente e a trava de liberação rápida atrás (Fig. 14).



- Use o arnês de segurança sobre a cabeça e o ombro oposto à mão do acionador.
- Ajuste o comprimento da correia em uma posição de operação confortável (Fig. 15).



INTERRUPÇÃO DO FUNCIONAMENTO DO SOPRADOR

Solte o acionador variável para interromper o funcionamento.

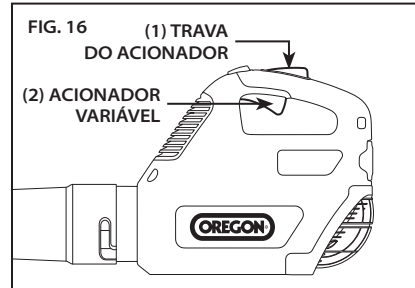
ACIONAMENTO DO SOPRADOR

⚠ ADVERTÊNCIA: PARA REDUZIR O RISCO DE LESÕES, NUNCA MANTENHA O ACIONADOR ATIVADO COM UMA FITA ADESIVA OU AMARRANDO A TRAVA.

Se usar o arnês, prenda os grampos às alças de fixação e coloque o arnês de segurança.

Segure firmemente a alça de modo que a trava do acionador seja pressionada pela palma da mão (1).

- Para acionar o soprador, aperte o acionador variável (2) (Fig. 16). Aperte o acionador variável mais firmemente para aumentar a velocidade e a força do soprador.

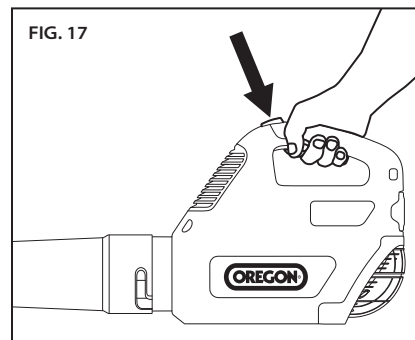


USO DO MODO TURBO

O modo turbo aumenta a velocidade e a força do soprador além da velocidade mais alta obtida ao se manter o acionador variável pressionado ao máximo para baixo (a função turbo não está disponível com uma bateria de B500S 1,25 Ah).

Use essa potência extra para mover material pesado, espesso ou molhado que seja difícil de ser removido de outra maneira.

Enquanto segura o acionador variável, pressione a mantenha pressionado o botão turbo (Fig. 17).



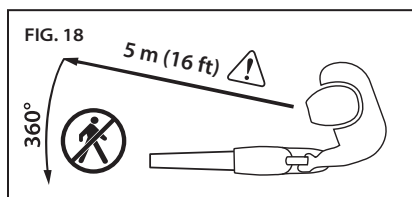
O uso prolongado do modo turbo diminuirá o tempo de uso para cada carga da bateria.

OPERAÇÃO DO SOPRADOR

⚠️ ADVERTÊNCIA: PARA REDUZIR O RISCO DE LESÕES, USE BOTAS ADEQUADAS, CALÇAS COMPRIDAS E PROTEÇÃO AURICULAR E OCULAR.

⚠️ CUIDADO: ESTABELEÇA UMA ZONA DE SEGURANÇA DE TRANSEUNTES DE 5 M (16 PÉS) ANTES DE OPERAR ESTE EQUIPAMENTO.

A ZONA DE SEGURANÇA DE TRANSEUNTES CONSISTE EM UM CÍRCULO DE, NO MÍNIMO, 5 M (16 PÉS) EM TORNO DO OPERADOR QUE DEVE FICAR LIVRE DE TRANSEUNTES, CRIANÇAS E ANIMAIS DE ESTIMAÇÃO (FIG. 18).



⚠️ CUIDADO: RISCO DE LANÇAMENTO DE OBJETOS. NÃO APONTE O SOPRADOR NA DIREÇÃO DE PESSOAS OU ANIMAIS.

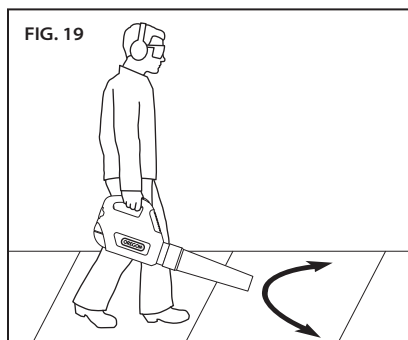
IMPORTANTE: SIGA TODAS AS REGRAS E REGULAMENTOS NACIONAIS E MUNICIPAIS APLICÁVEIS A SOPRADORES.

IMPORTANTE: O SOPRADOR FUNCIONA COM MAIS EFICIÊNCIA QUANDO O FLUXO DE AR NÃO ESTÁ OBSTRUÍDO. EVITE QUE DETRITOS BLOQUEIEM A ENTRADA DE AR.

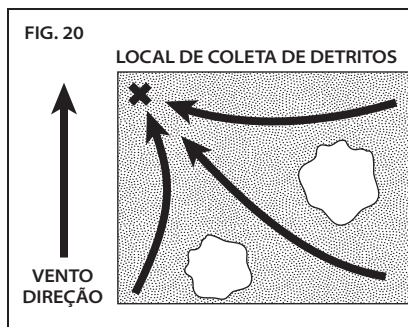
IMPORTANTE: O LANÇAMENTO DE PARTÍCULAS FINAS EM SUPERFÍCIES LISAS POR PERÍODOS PROLONGADOS PODE CAUSAR O ACÚMULO DE ELETRICIDADE ESTÁTICA. PAUSAS FREQUENTES PODEM AJUDAR A EVITAR O ACÚMULO DE ELETRICIDADE ESTÁTICA.

Para obter o melhor desempenho do soprador e operá-lo com segurança, siga estas instruções:

- Antes do uso, inspecione o soprador conforme descrito em "Manutenção e limpeza".
- Antes do uso, determine onde os detritos deverão ser coletados.
- Faça pausas frequentes para evitar a fadiga e reduzir o acúmulo de eletricidade estática em ambientes empoeirados.
- Acione o soprador em baixa velocidade e comece a movimentar o tubo lentamente e com suavidade de um lado para outro (Fig. 19).



- Mova os detritos para uma só direção, no sentido do local de coleta, para evitar soprá-los para áreas já limpas (Fig. 20).



- Aumente a velocidade do soprador para movimentar materiais mais pesados ou limpar a área mais rapidamente.

Tenha mais cuidado quando usar protetor auricular, pois pode ser difícil perceber a presença de transeuntes. Tenha cuidado com pequenos animais, com pontos cegos e portas, e desligue o equipamento e pare ao se aproximar deles.

Tenha cuidado com veículos e janelas.

Tenha mais cuidado ao operar perto do solo para que objetos não sejam lançados na entrada de ar ou ejetados através do tubo.

DICAS DE USO

Tente estas dicas para obter o máximo do soprador:

- Use somente peças de conexão da OREGON®.
- Para minimizar a poeira, inicie a operação com o tubo virado na direção do solo e, gradualmente, mova-o para cima.
- Em ambientes empoeirados, o uso de uma máscara pode aumentar o conforto durante a operação.
- Para desenvolver a técnica, pratique em pequenos volumes de aparas de grama, copos de papel ou outros materiais leves que sejam fáceis de limpar.
- Pratique diferentes combinações de movimento do tubo e velocidades para determinar qual funciona melhor em uma dada superfície e com um dado material.
- Em áreas extremamente empoeiradas, borrife água na superfície para minimizar a poeira.
- Use uma vassoura ou ancinho para soltar detritos pesados antes de usar o soprador.
- Não trabalhe contra o vento. Mover detritos na direção em que o vento está soprando é mais fácil e levanta menos poeira.

MANUTENÇÃO E LIMPEZA

SOPRADOR



⚠ ADVERTÊNCIA: UMA FERRAMENTA OPERADA POR BATERIA COM UMA BATERIA INSERIDA PODE COMEÇAR A FUNCIONAR ACIDENTALMENTE. REMOVA A BATERIA ANTES DA INSPEÇÃO, LIMPEZA OU ANTES DE REALIZAR MANUTENÇÃO.

⚠ CUIDADO: INSPECIONE O SOPRADOR REGULARMENTE. A INSPEÇÃO REGULAR É A PRIMEIRA ETAPA DE UMA MANUTENÇÃO ADEQUADA. SIGA AS DIRETRIZES ABAIXO PARA MAXIMIZAR A SEGURANÇA E A SATISFAÇÃO. SUBSTITUA PEÇAS DANIFICADAS OU GASTAS IMEDIATAMENTE.

⚠ CUIDADO: AO LIMPAR O CARREGADOR, NÃO O SUBMERJA EM ÁGUA OU OUTROS LÍQUIDOS. NÃO USE UMA LAVADORA POR PRESSÃO PARA LIMPAR O SOPRADOR.

INSPEÇÃO

Antes de cada uso e se o soprador tiver sofrido uma queda, inspecione as seguintes peças:

- Alça: A alça não deve apresentar rachaduras ou outro dano. Ela deve estar limpa e seca, livre de óleo, umidade ou qualquer coisa que impeça que ela seja segurada com firmeza.
- Abertura de resfriamento dos componentes eletrônicos: A abertura de resfriamento dos componentes eletrônicos deve estar desimpedida e livre de detritos.
- Bateria: A bateria deve estar limpa, seca e sem sinais de perfurações, impacto ou outros danos. Os contatos devem estar limpos, secos e livres de detritos.
- Porta da bateria: A porta da bateria e os contatos devem estar limpos, secos e livres de detritos.

- Acionador de velocidade variável: O acionador de velocidade variável deve funcionar suavemente e deve aumentar a velocidade do soprador com o aumento da pressão.
- Trava do acionador: O acionador de velocidade variável deve evitar a partida do motor caso não seja pressionado.
- Tela de entrada: A tela de entrada deve estar livre de rachaduras ou de outros danos e deve cobrir adequadamente a entrada de ar para evitar a entrada de detritos.
- Bocal do soprador: O bocal do soprador deve estar livre de rachaduras ou de outros danos e deve se encaixar firmemente no tubo.
- Tubo: O tubo deve estar livre de rachaduras ou de outros danos e deve se encaixar firmemente no bocal do soprador.
- Arnês de segurança: O tecido não deve estar cortado ou puído e a fivela e os grampos não devem apresentar rachaduras.
- Parafusos: Os parafusos devem estar apertados, prendendo cada componente em seu lugar.

LIMPEZA

⚠ CUIDADO: AO LIMPAR O CARREGADOR, NÃO O SUBMERJA EM ÁGUA OU OUTROS LÍQUIDOS. NÃO USE UMA LAVADORA POR PRESSÃO PARA LIMPAR O SOPRADOR.

- Remova a bateria.
- Remova detritos da tela de entrada para garantir o fluxo de ar sem restrições.
- Limpe os detritos do tubo.
- Limpe os detritos da porta da bateria e limpe os contatos.
- Remova poeira e aparas do soprador.

BATERIA

IMPORTANTE: NÃO HÁ PEÇA EM QUE O USUÁRIO POSSA FAZER MANUTENÇÃO DENTRO DA BATERIA. NÃO DESMONTE.

As baterias de íon de lítio têm um tempo determinado de vida útil. Se o tempo de uso diminuir acentuadamente para cada carga da bateria sob condições de uso normais, sem uso do turbo, a bateria está no final de sua vida útil e deve ser substituída.

- Certifique-se de que a bateria, incluindo os contatos, esteja limpa, seca e sem sinais de perfurações, impacto ou outros danos. Baterias quebradas podem causar incêndio ou emitir substâncias químicas perigosas.
- Limpe os contatos sujos com um pano limpo e seco. Sujeira ou óleo podem provocar uma conexão inadequada, resultando em perda de potência.
- Armazene a bateria com carga completa, em um carregador, quando possível.

CARREGADOR

IMPORTANTE: NÃO HÁ PEÇA EM QUE O USUÁRIO POSSA FAZER MANUTENÇÃO DENTRO DO CARREGADOR. NÃO DESMONTE.

- Desconecte o carregador da tomada.
- Limpe os contatos sujos com um pano limpo e seco.

SOLUÇÃO DE PROBLEMAS

Use esta tabela para ver possíveis soluções para problemas com o soprador. Caso essas sugestões não solucionem o problema, consulte “Garantia e manutenção”.

SINTOMA	POSSÍVEL CAUSA	AÇÕES RECOMENDADAS
O motor não funciona ou funciona intermitentemente	Bateria descarregada	Recarregue. Consulte “Bateria e carregador”.
	Trava do acionador não pressionada	Pressione a trava do acionador antes de apertar o acionador de aceleração. Consulte “Operação geral”.
	Bateria não inserida completamente	Pressione a bateria no interior da porta até que ela trave no lugar.
	Contatos da bateria sujos	Remova a bateria, limpe os detritos da porta da bateria e limpe os contatos com um pano limpo e seco.
	Bateria excessivamente quente ou fria	Aguarde a bateria atingir a faixa de temperatura operacional de 0 °C a 40 °C (32° F a 104 °F).
	Abertura de resfriamento dos componentes eletrônicos bloqueada	Limpe os detritos da abertura de ventilação para proporcionar um fluxo desobstruído para o acionador variável.
O volume de ar e/ou a velocidade do tubo diminuem acentuadamente	Entrada de ar bloqueada	Limpe os detritos da tela de entrada.
	Tubo bloqueado	Remova a bateria, remova o tubo e limpe os detritos do tubo.
Vibração excessiva	Ventilador do soprador danificado	Execute a inspeção do soprador em um local de assistência técnica aprovado.
O botão turbo não funciona	Uso de uma bateria de B500S 1,25 AH	O botão turbo não funciona com uma bateria de B500S 1,25 Ah. Introduza uma bateria de maior capacidade para operar o botão turbo.
A bateria não carrega	A proteção de temperatura elevada/ temperatura baixa da bateria está ativada	Isso pode ocorrer quando o soprador funciona continuamente ou é exposto a altas temperaturas ambientes. Aguarde a bateria atingir a temperatura aceitável, antes de carregar. Consulte “Bateria e carregador”.
	Contatos sujos ou danificados na bateria ou carregador	Inspeccione os contatos da bateria e do carregador. Caso necessário, limpe de acordo com as instruções deste manual. Reintroduza a bateria no carregador, certificando-se de que ela esteja completamente encaixada.
	Bateria no fim de sua vida útil	Todas as baterias de lítio têm um tempo determinado de vida útil. Caso a bateria tenha mais de dois anos de uso ou tenha sido recarregada com frequência, pode ser a hora de substituí-la. Substitua somente pela bateria especificada para este soprador.
	Falha no carregador	Execute a verificação da função em um local de assistência técnica aprovado.

SINTOMA	POSSÍVEL CAUSA	AÇÕES RECOMENDADAS
Tempo de uso reduzido por carga de bateria	Uso excessivo do modo turbo	Use o turbo somente quando necessário para mover material denso, pesado ou molhado.
	Bateria não carregada por completo	Recarregue. Consulte "Bateria e carregador".
	Bateria no fim de sua vida útil	Todas as baterias de lítio têm um tempo determinado de vida útil. Caso a bateria tenha mais de dois anos de uso ou tenha sido recarregada com frequência, pode ser a hora de substituí-la. Substitua somente pela bateria especificada para este soprador.
Luz laranja piscando no indicador do estado da carga	Curto-circuito, sobrecorrente, sobretensão no carregador, circuito aberto na bateria ou erro de tempo esgotado na carga/pré-carga	<ol style="list-style-type: none"> 1. Certifique-se de que o cabo do carregador esteja conectado ao carregador e à tomada elétrica. 2. Certifique-se de que o carregador esteja recebendo a tensão correta. 3. Tente carregar outra bateria destinada a este carregador. Caso isso não solucione o problema, execute a verificação da função em um local de assistência técnica aprovado.

ESPECIFICAÇÕES E COMPONENTES

⚠ ADVERTÊNCIA: O USO DE PEÇAS DE REPOSIÇÃO DIFERENTES DAS ESPECIFICADAS NESTE MANUAL AUMENTA O RISCO DE LESÃO. NUNCA USE ACESSÓRIOS DIFERENTES DOS DESCRITOS NESTE MANUAL.

COMPONENTES DE REPOSIÇÃO		NÚMERO DE PEÇA
TELA DE ENTRADA		572566
BOCAL		572563
ARNÊS DE SEGURANÇA		572569
BATERIA, MODELO B600E		548208
BATERIA, MODELO B400E		545938
BATERIA, MODELO B500S		545937
CARREGADOR COM CABO, MODELO C600		540580
CARREGADOR RÁPIDO COM CABO, MODELO C750		548185
CARREGADOR, MODELO C600		
ENTRADA	100-240 V~ 50-60 Hz 60 W	
ENTRADA (SOMENTE EUA E CANADÁ)	120V~ 60 Hz 60 W	
SAÍDA	41,5 V---1,25 A	
CABO DE ALIMENTAÇÃO	Nº DA PEÇA - EUA/CAN: 546636 Nº DA PEÇA - UE: 547383 Nº DA PEÇA - REINO UNIDO: 547384 Nº DA PEÇA - AUSTR/N. ZEL: 560663	
BATERIA		
TIPO	ÍON DE LÍTIO	
TEMPERATURAS DE OPERAÇÃO	0 °C a 40 °C (32° F a 104 °F)	
MODELO	CAPACIDADE, NOMINAL	TENSÃO, NOMINAL
B600E	4,00 Ah / 144 Wh	+36 VDC
B400E	2,40 Ah / 89 Wh	+37 VDC
B500S	1,25 AH / 47 Wh	+37 VDC
SOPRADOR		
PESO SECO MONTADO	2,8 kg (6,2 lb)	
VIBRAÇÃO	2.5 m/s2 (K, 1.5 m/s2)	
	ALTA VELOCIDADE	TURBO *
NÍVEL DE PRESSÃO SONORA GARANTIDO	61 dB(A)	65 dB(A)
VELOCIDADE DO AR	102 mph	131 mph
VOLUME DE AR	400 cfm	507 cfm

* A função turbo não está disponível com uma bateria de B500S 1,25 Ah.

GARANTIA E MANUTENÇÃO

GARANTIA

Blount, Inc. garante todas as ferramentas sem fio e carregadores da OREGON® registradas por um período de três (3) anos e todas as baterias OREGON® registradas por dois (2) anos a partir da data original da compra. As ferramentas sem fio, baterias e carregadores da OREGON® são garantidos por dois (2) anos, se usados com finalidade comercial. Essa garantia limitada se aplica aos produtos do sistema de ferramentas sem fio da OREGON®. Durante o período de garantia, a Blount substituirá ou, a seu critério, consertará gratuitamente, somente para o comprador original, qualquer produto ou peça fabricada que for considerada, segundo avaliação da Blount, defeituosa quanto ao material e/ou mão de obra. O comprador será responsável por todos os encargos de transporte e qualquer custo de remoção de qualquer peça enviada para substituição nos termos desta garantia.

Para registrar seu produto, visite a seção "suporte" da OregonCordless.com.

INFORMAÇÕES DE MANUTENÇÃO E SUPORTE

Accesse OregonCordless.com para obter informações sobre a central de serviços ou entre em contato com nosso departamento de atendimento ao cliente pelo telefone 888.313.8665 para obter ajuda, conselho técnico adicional, reparo, peças de reposição ou registrar o produto.

Por questões de segurança, use somente peças sobressalentes originais de fábrica no soprador. Nossa central de atendimento conta com uma equipe treinada para fornecer, com eficiência, suporte e assistência adicionais com ajustes, reparo ou substituição de todos os produtos do sistema de ferramentas sem fio da OREGON®.



Blount International Inc.
4909 Southeast International Way
Portland, OR 97222-4679
USA



OregonCordless.com