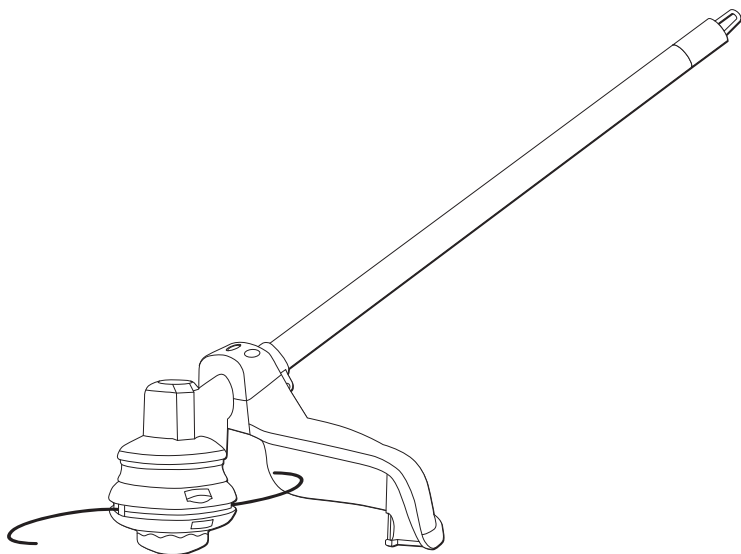


OREGON®



**Original Instruction Manual
ST600 Multi-attachment**





English	4
-------------------	---

▲ WARNING: Read and understand all safety warnings and all instructions.

Failure to follow the warnings and instructions may result in electric shock, fire and/or serious injury.

Save all warnings and instructions for future reference.

This instruction manual contains translations of a manual drafted in English and are provided to assist those who do not speak English as their first language. Being a technical writing, some terms may not have a like or equivalent meaning as translated. Therefore, you should not rely on this translation, and should cross-reference the English version, where relying on the translated instructions could result in harm to your person or property.

Français.	26
-------------------	----

▲ AVERTISSEMENT : Prenez connaissance de tous les avertissements et consignes de sécurité.

L'observation de ces avertissements et consignes comporte des risques d'électrocution, d'incendie et/ou de lésions graves. **Rangez ces consignes et avertissements en lieu sûr afin de pouvoir les consulter ultérieurement.**

Ce manuel d'utilisation contient plusieurs traductions d'un document rédigé en anglais. Ces traductions visent à aider les utilisateurs dont l'anglais n'est pas la langue maternelle. Comme il s'agit d'un document technique, certains termes sont susceptibles de prendre une signification différente après traduction. Par conséquent, vous ne devez pas vous fier aveuglément à cette traduction. Reportez-vous à la version anglaise si vous percevez que le respect des consignes traduites pourrait occasionner des dommages matériels ou des lésions corporelles.

Español.	48
------------------	----

▲ ADVERTENCIA: Lea y entienda todas las advertencias de seguridad e instrucciones.

El incumplimiento de las advertencias e instrucciones puede dar lugar a descargas eléctricas, incendios o lesiones graves. **Guarde todas las advertencias e instrucciones para referencia futura.**

Este manual de instrucciones contiene traducciones de un manual redactado en inglés y se ofrece para ayudar a aquellos que no hablan inglés como primer idioma. Al tratarse de un texto técnico, algunos términos pueden no tener un significado similar o equivalente en la traducción. Por lo tanto, no debe confiar en esta traducción, y debería ir consultando la versión inglesa en aquellos puntos donde la confianza en las instrucciones traducidas pueda causar daños a su persona o a la propiedad.

Português	70
---------------------	----

Instruções Importantes de Segurança

▲ ADVERTÊNCIA: Leia e entenda todas as advertências e instruções de segurança. A falha em seguir todas as advertências e instruções pode resultar em choque elétrico, incêndio e/ou lesão pessoal séria. **Preserve todas as advertências e instruções para consulta futura.**

Este manual de instruções contém traduções de um manual escrito em inglês, e tem a finalidade de ajudar quem não fala inglês como idioma nativo. Como se trata de escrita técnica, alguns termos podem não ter um significado semelhante ou equivalente quando traduzidos. Portanto, não confie unicamente nesta tradução. Consulte a versão em inglês quando confiar na tradução em português puder resultar em danos pessoais ou à propriedade.

TABLE OF CONTENTS



Important Safety Instructions	5
Safety Signal Definitions	5
General Power Tool Safety Warnings	5
Work Area Safety	6
Electrical Safety	6
Personal Safety	6
Power Tool Use and Care	6
Battery Tool Use and Care	7
Service	7
String Trimmer Safety Warnings	7
Battery and Charger	7
Storage	8
Transport	8
Disposal	8
Symbols and Labels	9
Product Identification	10
Unpacking and Assembly	11
Battery Pack and Charger	13
Operation and Maintenance	14
General Operation	14
The Gator® Speedload™ (GSL) Cutting System	15
Maintenance	17
Inspection	17
Cleaning	17
Troubleshooting	18
Specifications and Components	19
Warranty and Service	20
Figures	21

Important Safety Instructions

Introduction

This Multi-attachment powerhead is designed for use with Oregon® Battery Pack B series and specified attachments for the general purpose of residential lawn and garden maintenance. Each Oregon® attachment is designed for a specific task. Other uses may result in injury. Read and follow all instructions to minimize risk and maximize satisfaction.

Safety Signal Definitions

SYMBOL	SIGNAL	MEANING
	WARNING	Indicates a potential hazard which could result in serious injury.
	CAUTION	Indicates a potential hazard which could seriously damage the tool or cause minor to moderate injury.
	IMPORTANT	Following this instruction will increase satisfaction with the tool.

General Power Tool Safety Warnings

When using an electrical appliance, basic precautions should always be followed, including the following:

⚠ WARNING: Read and understand all safety warnings and all instructions. Failure to follow the warnings and instructions may result in electric shock, fire and/or serious injury.

⚠ WARNING: This power tool is not intended for use by persons (including children) with reduced physical, sensory or mental capabilities, or lack of experience and knowledge, unless they have been given supervision or instruction concerning the use of the appliance by a person responsible for their safety. Children should be supervised to ensure that they do not play with the appliance.



Save all warnings and instructions for future reference.

Work Area Safety

- **Keep work area clean and well lit.** Cluttered or dark areas invite accidents.
- **Do not operate power tools in explosive atmospheres, such as in the presence of flammable liquids, gases or dust.** Power tools create sparks which may ignite the dust or fumes.
- **Keep children and bystanders away while operating a power tool.** Distractions can cause you to lose control.

Electrical Safety

- **Charger plugs must match the outlet. Never modify the plug in any way.** Unmodified plugs and matching outlets will reduce risk of electric shock.
- **Do not expose the charger to rain or wet conditions.** Water entering the charger will increase the risk of electric shock.
- **Do not charge outdoors.**
- **Do not abuse the cord. Never use the cord for carrying, pulling or unplugging the charger. Keep cord away from heat, oil, sharp edges, or moving parts.** Damaged or entangled cords increase the risk of electric shock.
- **Do not use with a damaged cord or plug.** If the battery charger is not working as it should, has been dropped, damaged, left outdoors, or dropped into water, return it to a service center.

Personal Safety

- **Stay alert, watch what you are doing, and use common sense when operating a power tool. Do not use a power tool while you are tired or under the influence of drugs, alcohol, or medication.** A moment of inattention while operating power tools may result in serious personal injury. Maintain correct working posture, firm footing, and balance during operation. Reduce fatigue by varying working position or with rest periods.
- **Use personal protective equipment. Always wear eye protection.** Protective equipment such as dust mask, non-skid safety shoes, hard hat, or hearing protection used for appropriate conditions will reduce personal injuries.

- **Prevent unintentional starting. Ensure the switch is in the off-position before connecting battery pack, picking up, or carrying the tool.** Carrying power tools with your finger on the switch or energizing power tools that have the switch on invites accidents.
- **Remove any adjusting key or wrench before turning the power tool on.** A wrench or a key left attached to a rotating part of the power tool may result in personal injury.
- **Do not overreach. Keep proper footing and balance at all times.** This enables better control of the power tool in unexpected situations.
- **Dress properly. Do not wear loose clothing or jewelry. Keep your hair, clothing, and gloves away from moving parts.** Loose clothes, jewelry, or long hair can be caught in moving parts.

Power Tool Use and Care

- **Do not force the power tool. Use the correct power tool for your application.** The correct power tool will do the job better and safer at the rate for which it was designed.
- **Do not use the power tool if the variable speed trigger does not turn it on and off.** Any power tool that cannot be controlled with the switch is dangerous and must be repaired.
- **Disconnect the battery pack from the power tool before making any adjustments, changing accessories, or storing power tools.** Such preventive safety measures reduce the risk of starting the power tool accidentally.
- **Store idle appliance indoors. When not in use, appliances should be stored indoors in a dry and high or locked-up place out of reach of children. Do not allow persons unfamiliar with the power tool or these instructions to operate power tool.** Power tools are dangerous in the hands of untrained users.
- **Maintain power tools. Check for misalignment or binding of moving parts, breakage of parts, and any other condition that may affect the power tool's operation. If damaged, have the power tool repaired before use. See "Inspection" in this manual.** Many accidents are caused by poorly maintained power tools.

- **Keep cutting tools sharp and clean.** Properly maintained cutting tools with sharp cutting edges are less likely to bind and are easier to control.
- **Use the power tool, accessories, and tool bits, etc. in accordance with these instructions, taking into account the working conditions and the work to be performed.** Use of the power tool for operations different from those intended could result in a hazardous situation.

Battery Tool Use and Care

- **Recharge only with the charger specified by the manufacturer.** A charger that is suitable for one type of battery pack may create a risk of fire when used with another battery pack.
- **Use power tools only with specifically designated battery packs.** Use of any other battery packs may create a risk of injury and fire.
- **When battery pack is not in use, keep it away from other metal objects, like paper clips, coins, keys, nails, screws, or other small metal objects, that can make a connection from one terminal to another.** Shorting the battery terminals together may cause burns or a fire.
- **Under abusive conditions, liquid may be ejected from the battery; avoid contact. If contact accidentally occurs, flush with water. If liquid contacts eyes, additionally seek medical help.** Liquid ejected from the battery may cause irritation or burns.

Service

Have your power tool serviced by a qualified repair person using only identical replacement parts. This will ensure that the safety of the power tool is maintained. Attempting to perform service or maintenance outside of the scope of this manual or failure to perform recommended inspection and cleaning may cause denial of warranty claims.

String Trimmer Safety Warnings

⚠ WARNING: Keep hands away from trimming line. Contact with trimming line will result in serious personal injury.

- **Keep all parts of the body away from the trimming line. Do not remove cut material or hold material to be cut when trimming line is moving. Make sure the variable speed trigger is off when clearing jammed material. Trimming line coasts after turn off.** A moment of inattention while operating the trimmer may result in serious personal injury.
- **Keep guards in place and in working order.**

Battery and Charger

- **Use only the Oregon B Series batteries.**
- **Ensure the switch is in the off position before inserting battery pack.** Inserting the battery pack into machines that have the switch on invites accidents.
- **Do not charge battery in rain or in wet locations.**
- **Keep the battery charger away from rain or moisture.** Penetration of water in the battery charger increases the risk of an electric shock.
- **Recharge battery only with the charger specified by the manufacturer (Oregon C Series chargers).** A charger that is suitable for one type of battery pack may create a risk of fire when used with another battery pack.
- **Do not dispose of the battery in a fire. The cell may explode.** Check with local codes for possible special disposal instructions.
- **Do not charge other batteries on the charger.** The battery charger is suitable only for charging manufacturer specific and approved lithium ion batteries within the listed voltage range. Otherwise there is danger of fire and explosion.
- **Keep the battery charger clean. Contamination can lead to danger of an electric shock.**
- **Before each use, check the battery charger, cable, and plug. If damage is detected, do not use the battery charger. Never open the battery charger yourself. Have repairs performed only by a qualified technician and only using original spare parts.** Damaged

battery chargers, cables, and plugs increase the risk of an electric shock.

- **Do not operate the battery charger on easily inflammable surfaces (e.g., paper, textiles, etc.) or surroundings.** The heating of the battery charger during the charging process can pose a fire hazard.
- **Use only appropriate battery packs intended specifically by the manufacturer for the machine.** Use only the Oregon B Series batteries. Use of any other battery packs may create a risk of injury and fire.
- Exercise care in handling batteries in order not to short the battery with conducting materials such as rings, bracelets, and keys. The battery or conductor may overheat and cause burns.
- **Under abusive conditions, liquid may be ejected from the battery; avoid contact. If contact accidentally occurs, flush with water. If liquid contacts eyes, additionally seek medical help.** Liquid ejected from the battery may cause irritations or burns.
- **Do not open or mutilate the battery.** Released electrolyte is corrosive and may cause damage to the eyes or skin. It may be toxic if swallowed.
- **Protect the battery against heat, e.g., against continuous intense sunlight, fire, water, and moisture. Failure to do so, may increase the danger of explosion.**
- **Do not short-circuit the battery.** There is danger of explosion.
- **In case of damage and improper use of the battery, vapors may be emitted. Ventilate the area and seek medical help in case of complaints.** The vapors can irritate the respiratory system.
- Protect the battery against moisture and water.
- Store the battery only within a temperature range between 32°F and 104°F (0°C and 40°C). As an example, do not leave the battery in the car in summer.
- Occasionally clean the venting slots of the battery using a soft, clean, and dry brush.

Storage

- Always store the powerhead and attachments in a cool, dry place and out of direct sunlight. Long exposure to sunlight and UV rays can degrade plastics overtime, potentially causing guards to fail.
- Fit the protective cap on the drive tube to avoid dirt getting into the coupler.

Transport





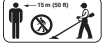











- The contained lithium-ion batteries are subject to the Dangerous Goods Legislation requirements. The user can transport the batteries by road without further requirements.
- When being transported by third parties (e.g.: air transport or forwarding agency), special requirements on packaging and labeling must be observed. For preparation of the item being shipped, consulting an expert for hazardous material is required.
- Dispatch batteries only when the housing is undamaged.
- Tape or mask off open contacts and pack up the battery in such a manner that it cannot move around in the packaging.
- Please also observe possibly more detailed national regulations.

Disposal

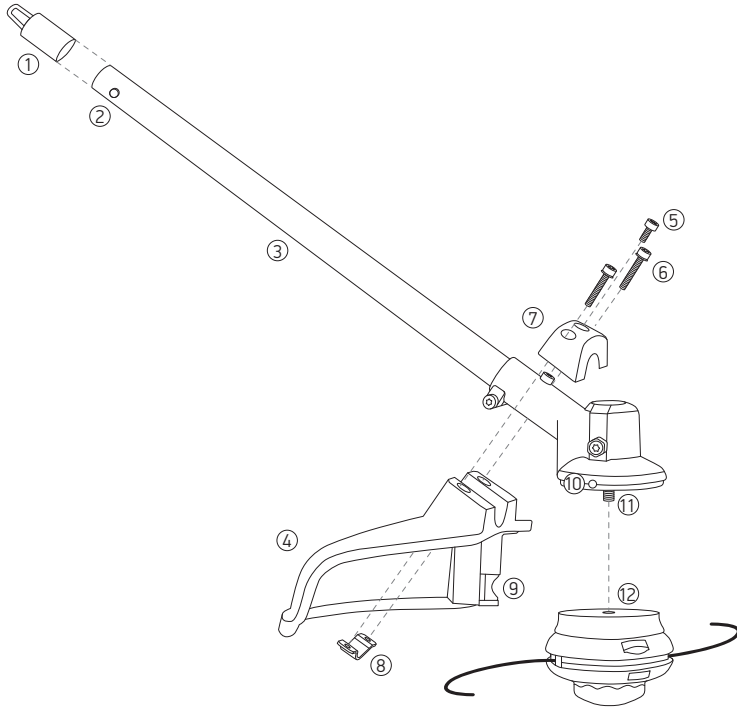
- Do not dispose of garden products, battery chargers, and batteries/rechargeable batteries into household waste.

Symbols and Labels

These symbols and labels appear on the string trimmer, battery, and charger.

SYMBOL	NAME	EXPLANATION
	Class II Construction	Designated double insulated construction tools.
	Safety Alert Symbol	Indicates that the text that follows explains a danger, warning, or caution.
	Read Instruction Manual	The original instruction manual contains important safety and operating information. Read and follow the instructions carefully.
	Beware Of Foreign Objects	Pay attention that bystanders are not injured through foreign objects thrown from the machine.
	Bystander Safety	Keep bystanders a safe distance away from the machine.
	No Cutting Blade	Do not install metal or plastic cutting blades.
	Wear Eye Protection	Wear eye protection when operating the machine.
	Wear Hearing Protection	Wear hearing protection when operating the machine.
	Wear Foot Protection	Wear appropriate closed-toe work boots when operating the machine.
	Wear Hand Protection	Wear gloves when operating the machine or touching the stopped blades.
	Wear Long Pants	Wear long pants when operating the machine.
	Sound Power	Sound power level is 98 dB.
	Do Not Incinerate	Do not dispose in flames.
	Do Not Dispose	Do not throw in the household waste. Take to an authorized recycler.
	Do Not Expose to Rain	Do not operate the charger in wet conditions.
	Indoor Use Only	Intended for indoor use only.
	Operating Temperature	Only use the battery pack at a temperature between 32°F to 104°F (0°C and 40°C).
	Remove Battery	Remove the battery before performing any maintenance.

Product Identification



- | | |
|---------------------|---------------------------------|
| ① Protective Cap | ⑦ Mounting Bracket |
| ② Coupler | ⑧ Attachment Tab |
| ③ Drive Tube | ⑨ Line Cutting Blade |
| ④ Guard | ⑩ Shaft Block Hole in Drive Hub |
| ⑤ Torx Screw | ⑪ Threaded Shaft |
| ⑥ Attachment Screws | ⑫ Trimmer Head |

Unpacking and Assembly

Unpacking

WHAT'S IN THE BOX?

The string trimmer requires some assembly before use. These items ship with the string trimmer:

- String trimmer attachment
- Guard with attachment screws
- Attachment tab
- Original Instruction Manual
- Torx wrench
- Blocking pin

After removing the string trimmer from the box, inspect it carefully to ensure no damage has occurred during shipping and that no parts are missing. If any parts are damaged or missing, do not use the string trimmer. Contact Oregon® Cordless Tool System at 888 313 8665 to obtain replacement parts or contact your local dealer.

Assembly

⚠ WARNING: A battery operated tool with the battery pack inserted can start accidentally. Remove the battery pack before assembling or performing maintenance.

ATTACHING THE GUARD (FIG. A)

⚠ WARNING: The line cut-off blade on the grass deflector is sharp. Avoid contact with the blade. Failure to avoid contact can result in serious personal injury.

- Remove the battery pack.
- Remove the screws **(1)** from the guard **(2)**.
- Insert the attachment tab **(3)** on the mounting bracket in the slot on the guard.
- Tighten the screws securely.

INSTALLING AN ATTACHMENT TO THE POWERHEAD (FIG. B)

⚠ WARNING: Read and understand entire Original Instruction Manual for each optional attachment used on this powerhead and follow all warnings and instructions. Failure to follow all instructions could result in electric shock, fire, and/or serious personal injury.

⚠ WARNING: This powerhead is designed to be used only with the Oregon attachment models that are specified in this Original Instruction Manual. Use of other attachments could cause serious personal injuries or property damage.

This powerhead may be used with only Oregon Multi-attachments.

The attachment connects to the powerhead with a coupler device.

- Stop the motor and remove the battery pack.
- Loosen the knob of the coupler on the powerhead tube and remove the end cap from the attachment.
- Press the button located on the attachment shaft. Align the button with the guide recess on the powerhead coupler and slide the attachment shaft into the powerhead. Rotate the attachment shaft until the button locks into position.

NOTE: If the button does not release completely in the positioning hole, the shafts are not locked into place. Slightly rotate from side to side until the button is locked.

- Tighten the knob securely.

⚠ WARNING: Make certain the device is fully tightened before operating equipment; check it periodically for tightness during use to avoid serious personal injury.

REMOVING THE ATTACHMENT FROM THE POWERHEAD

- Stop the motor, remove the battery pack, and engage the transportation lockout.
- Loosen the knob.
- Push in the button and twist the shafts to remove and separate the shaft.

THE POWERHEAD EXTENSION (FIG. C)



⚠ WARNING: Do not use the extension with the string trimmer attachment.

Do not use a metal or plastic blade with the string trimmer attachment.

FITTING THE HARNESS (FIG. D)

- Put on shoulder strap.
- Adjust length of strap. The carabiner should be about a hand's width below operator's right hip.
- Detach harness by pressing down on the carabiner bar and pull the harness loop out of the carabiner.

Battery Pack and Charger

⚠ WARNING: To reduce the risk of shock, do not charge the battery pack in the rain.

BATTERY PACK LED CHARGE-LEVEL INDICATOR

The lithium ion battery pack is equipped with an LED charge-level indicator. To test the charge level of the battery pack, press the indicator button on the battery pack's face.

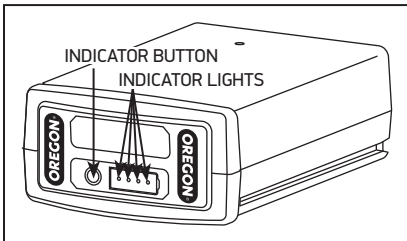
No lights: recharge.

One steady green light:
less than 25% charged.
Charge battery pack before use.

Two steady green lights:
26–50% charged.

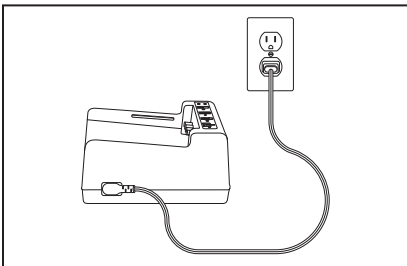
Three steady green lights:
51–75% charged.

Four steady green lights:
76–100% charged.



CONNECTING THE CHARGER

If the charger includes a separate power cord, connect the charger cord to the charger and to the proper electrical outlet.



Only use the cord set that was supplied with the charger. At first use, verify that the plug type matches the receptacle.

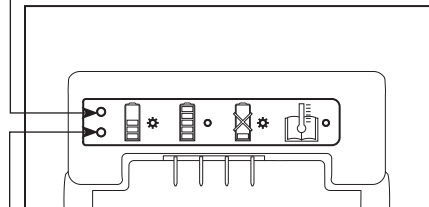
CHARGER LED CHARGE-STATE INDICATOR

The battery charger is equipped with an LED charge-state indicator that indicates the state of charging as well as conditions that may delay or prevent charging.

Note: Until a battery pack is inserted, no lights will be visible.

Blinking orange light: a fault condition exists. There are several potential causes. See "Troubleshooting" in this manual.

Steady orange light: the battery pack temperature is beyond the acceptable range (32°F/0°C to 104°F/40°C). Allow the battery pack to reach the acceptable temperature range before charging. The pack may be left on the charger as the temperature adjusts. Charging will begin when the proper temperature is reached.



Blinking green light: battery pack is charging.

Steady green light: battery pack is ready for use.

CHARGING THE BATTERY

⚠ WARNING: Failure to follow proper charging procedures may cause excessive voltage, excessive current flow, loss of control during charging, leakage of hazardous chemicals, heat generation, bursting or fire. Follow these charging instructions.

With the charger cord connected to the charger and plugged into a electrical outlet, align the grooves on the battery with the rails on the charger and slide the battery pack onto the charger until fully seated.

For more information, please refer to your battery and charger manuals.

Operation and Maintenance

General Operation



⚠ WARNING: To reduce the risk of injury, always wear proper boots, long pants, ear and eye protection.

⚠ WARNING: To reduce the risk of injury, do not overreach and do not stand on a ladder, stepstool, or any raised position that is not fully secured.

⚠ CAUTION: Establish a bystander safety zone of 50 ft (15 m) prior to operation of this equipment. Bystander safety zone is a minimum 50 ft (15 m) circle around the operator that must remain free from bystanders, children, and pets.

To get the best performance and operate the powerhead and attachments safely, follow these instructions.

Before using, inspect the powerhead and attachments as described in "Maintenance".

Always refer to the original instructions provided with the attachment for additional use and safety instructions. Failure to do so may result in injury.

OPERATING TEMPERATURE

The powerhead and attachments are designed to operate within a temperature range of 32°F to 104°F (0°C to 40°C).

FOOTING

Stand with both feet on solid ground with weight evenly spread between them.

Be careful on stairs, and work slowly to maintain footing. Never run when operating the powerhead.

ENGAGING THE TRANSPORTATION LOCKOUT (FIG. E)

- Move the button to the right to engage the transportation lockout.
- Move the button to the left to disengage the transportation lockout when you want to start the tool.

STOPPING THE POWERHEAD (FIG. F)

Release the variable speed trigger to stop the powerhead.

STARTING THE POWERHEAD (FIG. G)

⚠ WARNING: To reduce the risk of injury, never defeat the trigger-lock lever by taping, wiring, or tying down the trigger-lock lever.

- Disengage the transportation lockout **(1)** by moving the button to the left.
- Grasp the handle firmly such that the trigger-lock lever **(2)** is depressed by the palm of the hand.
- To start the powerhead, squeeze the variable speed trigger **(3)**. Squeeze the variable speed trigger more firmly to increase the speed and force of the powerhead.

INSERTING AND REMOVING THE BATTERY PACK (FIG. H)

Only use the Oregon® brand battery packs specified in these operating instructions.

Align the groove in the battery with the rails inside the battery port. Firmly insert the battery pack into the powerhead's battery port, pressing forward until it clicks as it locks into place.

To remove the battery pack, lift up on the battery release, grasp the sides of the battery pack and remove it.

OPERATING THE STRING TRIMMER

⚠ WARNING: Always hold the string trimmer away from the body keeping clearance between the body and the tool. Any contact with an attachment cutting head can result in burns and/or other serious personal injury.

If debris becomes wrapped around the attachment, release the variable speed trigger, remove the battery pack, and remove the debris.

The Gator® Speedload™ (GSL) Cutting System

ADVANCING TRIMMER LINE

The GSL disk lasts longer than typical trimmer lines. However, the trimmer line will wear down over time. Advance the line by bumping the head against the ground to get more line out of the disk.

With the motor running and the trimmer head turning, bump the trimmer head on the ground. More trimmer line comes out of the disk, and excess trimmer line is cut off by the line cutting blade on the bottom of the guard.

If the trimmer line does not come out, the disk may be empty. Turn off the trimmer/edger and replace the disk as described in "Replacing the GSL Disk".

OPENING THE GSL HEAD (FIG. I)

⚠ WARNING: A battery operated tool with the battery pack inserted is always on and can start accidentally. Remove the battery pack from the string trimmer before inspecting, cleaning, or performing maintenance.

If you detect a problem with the operation of the GSL Cutting System and need to inspect the disk or head, follow these steps to open the GSL head:

- Remove the battery, then place the string trimmer upside down.
- Press the GSL head to release the bottom part of the base.

CLOSING THE GSL HEAD (FIG. J)

- Check the disk and clear any blockage or replace the disk. See "Replacing the GSL".
- Remove clippings, dirt, and debris.
- Place GSL head back onto the base and press firmly until it clicks into place.

REPLACING THE GSL DISK (FIG. K)

The string trimmer is equipped with the innovative GSL Cutting System. The GSL head contains a disk of trimmer line that is pre-wound and self-contained. The GSL disk lasts longer than typical trimmer line. Removing and replacing a disk is simple.

- Pull the head off the base. Pull out the spent disk and discard it **(1)**.
- Peel two separate pieces of trimmer line from opposite sides of the disk. Make sure each piece is pulled away to create a small gap between the peeled trimmer lines and the disk **(2)**.
- Place the disk inside the head by lining the disk's centre hole with the hole in the centre of the head. Press the disk firmly into place **(3)**.
- Make sure the ends of the trimmer line pieces fit through the two sets of pegs in the head **(4)**.
- Place GSL head back onto the base and press firmly until it clicks into place.

The innovative tongue-and-groove disk eliminates the need for threading of trimmer line. Disks last longer than traditional trimming lines.

REMOVING AND REPLACING THE GSL HEAD (FIG. L)

If the GSL head is cracked or broken, it should be removed and replaced. If there is a build-up of clippings or debris between the head and the guard, it is easier to clean the string trimmer if the head is removed first.

- Remove the battery, then place the string trimmer upside down.
- Follow the instructions in "Opening The GSL Head."
- Use a straight-blade screwdriver to restrain the spindle and rotate the trimmer base counter-clockwise to loosen the center nut **(1)**.
- Pull out the GSL base.
- Remove the grass wrap protector from the trimmer head **(2)**.
- Insert the new grass wrap protector.
- To attach a new GSL head, slide the nut into the center opening of the GSL head **(3)**.
- Place the GSL head inside the trimmer housing.
- Tighten the nut securely **(4)**.

- Follow the instructions in "Replacing the GSL Disk" to place a new disk of trimmer line into the string trimmer.
- Close the head.

SHARPENING THE LINE CUTTING BLADE (FIG. M)

It is recommended that an Oregon® Service Dealer sharpen the line cutting blade, but it can also be sharpened by the operator.

Line cutting blade sharpening requires a flat file.

After collecting the file, wear gloves and eye protection and remove the battery.

- Lay the trimmer on its side with the line cutting blade on top and face the bottom of the trimmer head.
- Place the file against the cutting edge of the line cutting blade **(1)**.
- Push the file down and to the right, removing material from the cutting edge **(2)**.
- Repeat until the line cutting blade is sharp.

CORRECTING GRASS BIND

⚠ CAUTION: A battery operated tool with the battery pack inserted is always on and can start accidentally. Always remove the battery before correcting grass bind to avoid accidental activation of the trimmer head.

Certain types and lengths of grass can sometimes be caught between the trimmer head and the spindle. When this happens, the grass quickly winds around the shaft clogging the space between the shaft and the trimmer head and slowing or stopping the trimmer head rotation. This condition is called grass bind. The string trimmer is equipped with a grass wrap protector shroud between the trimmer head and the spindle to help minimize grass bind, but the condition can still occasionally occur.

To correct grass bind:

- Remove the battery.
- Remove the trimmer head.
- Clean all grass or weeds from the spindle. If necessary, cut the grass or weeds free.
- Once the spindle is cleared, replace the trimmer head.

Maintenance

⚠ WARNING: A battery operated tool with the battery pack inserted can start accidentally. Remove the battery pack before inspecting, cleaning, or performing maintenance.

⚠ CAUTION: Inspect the string trimmer regularly. Regular inspection is the first step to proper maintenance. Follow the guidelines below to maximize safety and satisfaction. Have any damaged or excessively worn parts replaced immediately.

⚠ CAUTION: When cleaning the string trimmer, do not immerse in water or other liquids. Do not use a pressure washer to clean the string trimmer.

Inspection

Before each use, and if the string trimmer has been dropped, inspect these parts:

TRIMMER HEAD

- Make sure the trimmer head is free of cracks or other damage. If it is damaged, replace it. Serious personal injury can result if a damaged trimmer head breaks during use.
- Check that the trimmer head rotates freely and that the trimmer line advances. If the trimmer head fails to rotate freely, see “Correcting Grass Bind”.
- If the trimmer line gets stuck or is tangled, open the GSL head and check the disk. Replace or reinstall the disk as needed.
- Inspect the grass wrap protector to make sure it is not cracked, broken, or loose. If it is damaged, replace it.
- Inspect the guard and replace it if it is damaged.

POWERHEAD

- The handle should not have cracks or other damage. It should be clean, dry, and free of oil, moisture, or anything else that prevents a firm grip.
- The electronics cooling vent should be clear and free of debris.
- The battery pack should be clean, dry, and show no signs of puncture, impact, or other damage. The contacts should be clean, dry, and free of debris.

- The battery port and contacts should be clean, dry, and free of debris.
- The variable speed trigger should operate smoothly and should cause increased powerhead speed with increased pressure.
- The variable speed trigger should prevent the motor starting if it is not depressed.
- Screws should be tight and hold each component in place.

Cleaning

⚠ CAUTION: When cleaning the powerhead and attachments, do not immerse in water or other liquids. Do not use a pressure washer to clean the powerhead and attachments.

- Remove the battery.
- Remove any debris from the intake screen to ensure unrestricted airflow.
- Clear any debris from the battery port and wipe the contacts.
- Wipe dust and clippings from the string trimmer.

BATTERY PACK

IMPORTANT: There are no user serviceable parts inside the battery pack. Do not disassemble.

Lithium ion batteries have a finite operating life. If the amount of use time per charge decreases noticeably under normal use, the battery pack is at the end of its useful life and should be replaced.

- Make sure the battery pack, including the contacts, is clean, dry, and has no signs of puncture, impact, or other damage. Broken batteries can cause fires or emit hazardous chemicals.
- Clean dirty contacts with a soft, dry cloth. Dirt or oil can cause a poor electrical connection resulting in loss of power.
- Store battery with a full charge, on a charger when possible.

CHARGER

IMPORTANT: There are no user serviceable parts inside the charger. Do not disassemble.

- Unplug the charger from the electrical outlet.
- Clean dirty contacts with a soft, dry cloth.

Troubleshooting

Use this table to see possible solutions for problems with the string trimmer. If these suggestions do not solve the problem, see "Warranty and Service".

SYMPTOM	POSSIBLE CAUSE	RECOMMENDED ACTIONS
Trimmer/Edger does not cut properly	Grass wound between shaft and trimmer head	See "Correcting Grass Bind".
	GSL disk empty	See "Replacing the GSL Disk".
Trimmer line does not feed	GSL disk empty	See "Replacing the GSL Disk".
	Trimmer line tangled	Remove the GSL disk. See "Replacing the GSL Disk".
Trimmer line wears out quickly	Higher cutting speed than necessary	Apply less pressure to the variable speed trigger.
	Improper cutting technique	Avoid forcing the trimmer head against hard surfaces. Slowly move the trimmer head in until the edge of the trimmer line strikes the grass or weeds.
Trimmer/Edger vibrates excessively during use	GSL head damaged	See "The Gator® Speedload™ (GSL) Cutting System".
	GSL head not attached properly	Remove the GSL head and reinstall, making sure the nut is securely tightened. See "The Gator® Speedload™ (GSL) Cutting System".
	Line cutting blade is dull	See "Sharpening the Line Cutting Blade".
End of trimmer line is frayed, ragged, or unevenly cut	Line cutting blade is dull	See "Sharpening the Line Cutting Blade".

Specifications and Components

⚠ WARNING: Using replacement parts other than those specified in this instruction manual increases the risk of injury. Never use attachments other than those described in this manual.

REPLACEMENT COMPONENTS		PART NUMBER
Battery pack, model B425E		545938
Battery pack, model B600E		548208
Battery pack, model B650E		545937
Charger with cord, model C600		540580
Charger with cord, model C650		594076
Rapid charger with cord, model C750		548185
CHARGER, MODEL C600		
Input	100-240V~ 50-60Hz 60W	
Input (U.S. and Canada only)	120V~ 60Hz 60W	
Output	41.5V=== 1.25A	
Power cord	US/CAN P/N: 546636 EU P/N: 547383 UK P/N: 547384 AU/NZ P/N: 560663	
CHARGER, MODEL C650		
Input	100-240V~ 50-60Hz 60W	
Input (U.S. and Canada only)	120V~ 60Hz 60W	
Output	41.5V=== 1.8A	
Power cord	US/CAN P/N: 546636 EU P/N: 547383 UK P/N: 547384 AU/NZ P/N: 560663	
CHARGER, MODEL C750		
Input	100-240V~ 50-60Hz 260W	
Input (U.S. and Canada only)	120V~ 60Hz 260W	
Output	41V=== 4.6A	
Power cord	US/CAN P/N: 585068 EU P/N: 585069 UK P/N: 585070 AU/NZ P/N: 585073	
BATTERY PACK		
Type	Lithium Ion	
Operating temperatures	32°F TO 104°F (0°C TO 40°C)	
Model	Capacity, nominal	Voltage, nominal
B425E	2.6 Ah / 94 Wh	+36 VDC
B600E	4.0 Ah / 144 Wh	+36 VDC
B650E	6.0 Ah / 216 Wh	+36 VDC
STRING TRIMMER		
Cutting diameter	14 in (36 cm)	
Line gauge	.080 in (2 mm) Gator® SpeedLoad™	
Weight	3.7 lb (1.6 kg)	

Warranty and Service

Warranty

Blount, Inc. warrants all registered Oregon® Cordless Tools and Chargers for a period of three (3) years and all registered Oregon® Cordless Battery packs for two (2) years from original date of purchase. Registered Oregon® Cordless Tools, Battery Packs and Chargers are warranted for two (2) years if used for commercial purchases. This limited warranty applies to Oregon® Cordless Tools System manufactured products. During the warranty period, Blount will replace or, at its option, repair for the original purchaser only, free of charge, any product or part which is found upon examination by Blount to be defective in material and/or workmanship. The purchaser shall be responsible for all transportation charges and any cost of removing any part submitted for replacement under this warranty.

To register your product, visit the “support” section of **OregonCordless.com**.

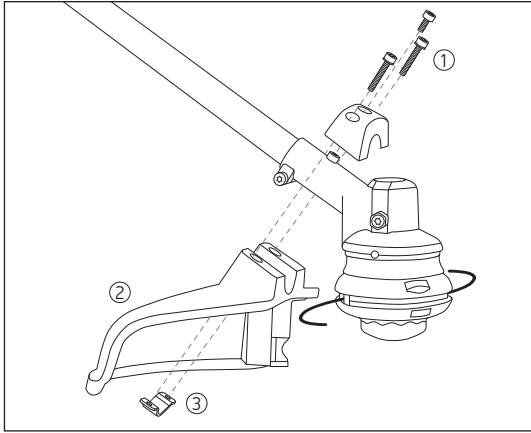
Service and Support Information

Visit us on the web at **OregonCordless.com** for service center information, or contact our customer service department at 888.313.8665 for assistance, additional technical advice, repair, or replacement parts.

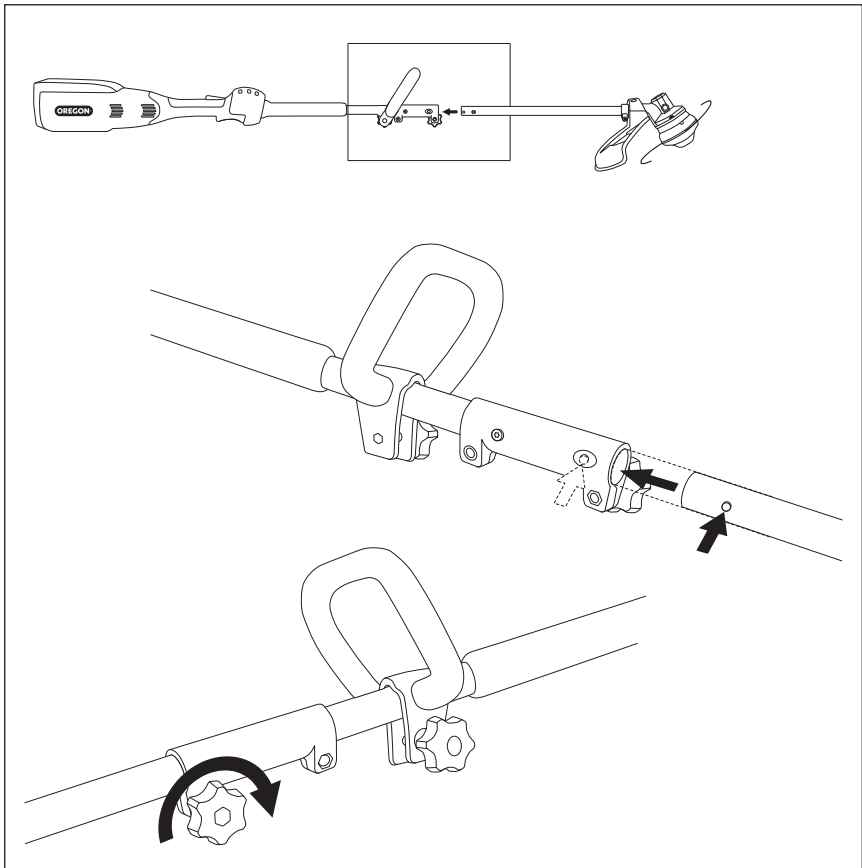
For safety, use only genuine factory replacement parts on the power tool. Our service center is staffed with trained personnel to efficiently provide support and assistance with adjustment, repair, or replacement of all Oregon® Cordless Tool System products.

Figures

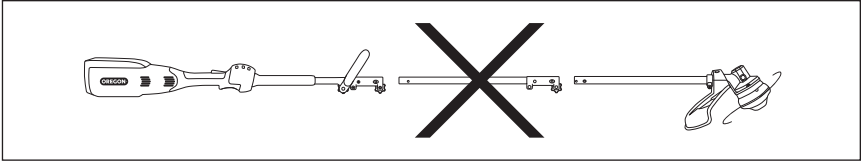
A



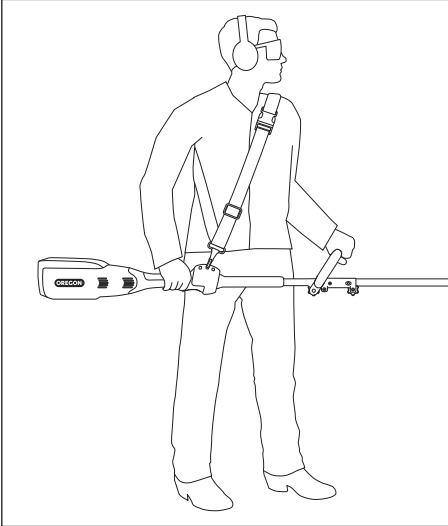
B



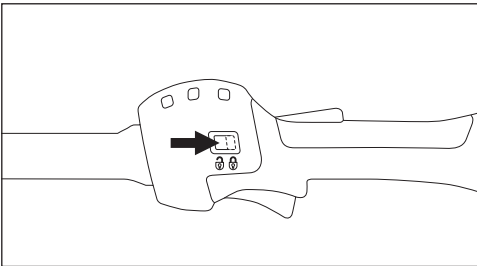
C



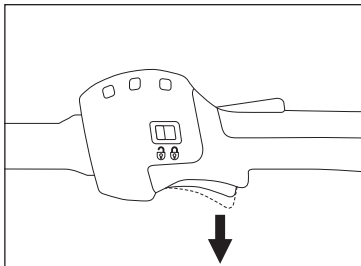
D



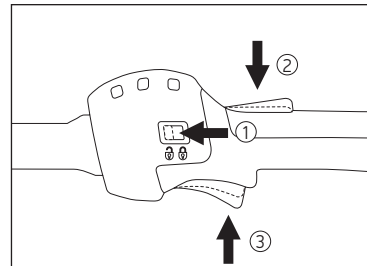
E

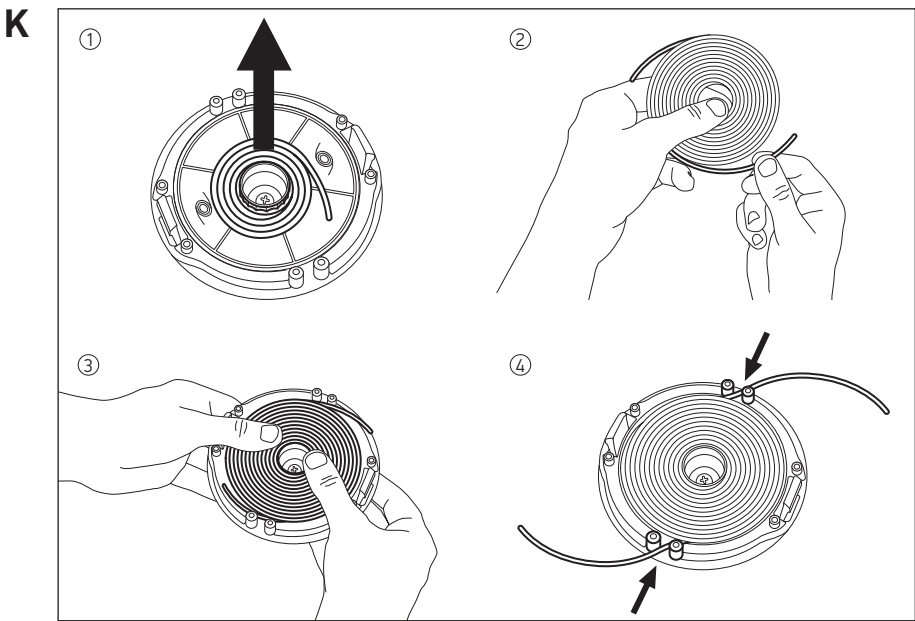
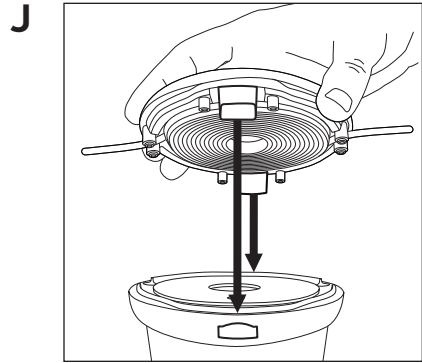
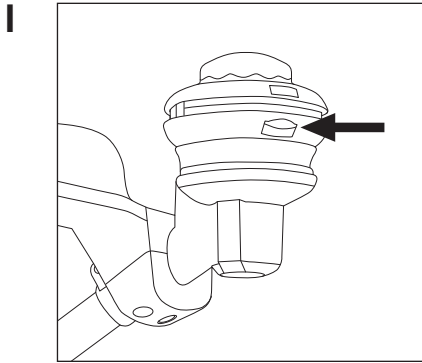
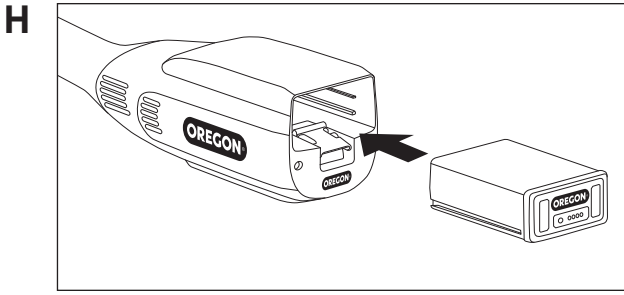


F

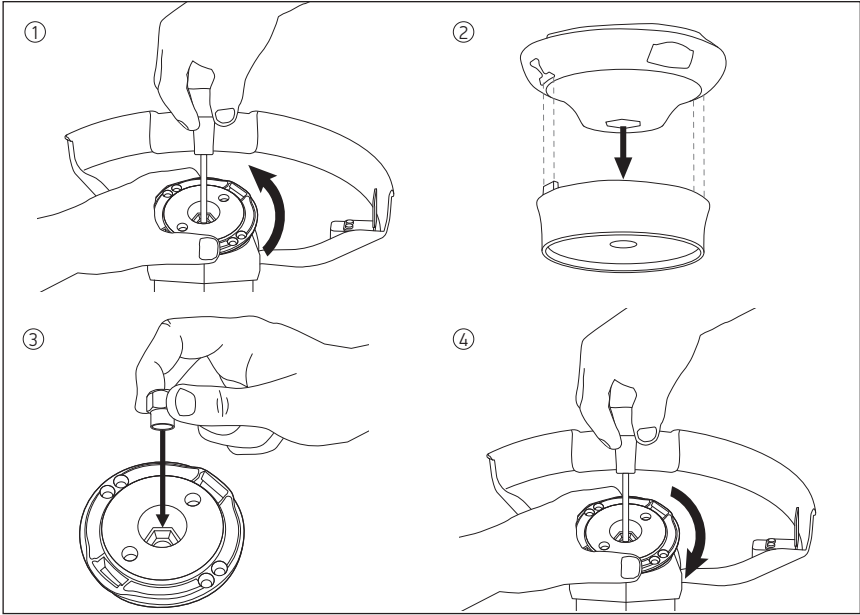


G





L



M

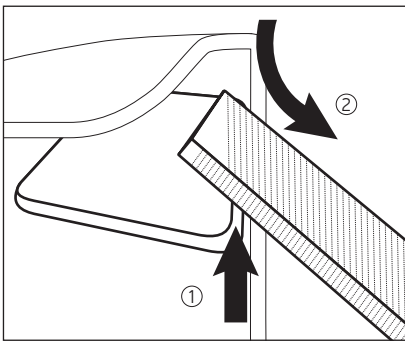




Table of Contents



Instructions de sécurité importantes	27
Définitions des signaux de sécurité.	27
Avertissements de sécurité généraux relatifs aux outils électriques	27
Sécurité de la zone de travail	28
Sécurité électrique.	28
Sécurité personnelle	28
Utilisation et entretien des outils électriques	28
Utilisation et entretien de l'outil à batterie	29
Réparation	29
Avertissements de sécurité concernant la débroussailleuse	29
Batterie et chargeur	29
Rangement	30
Transport	30
Mise au rebut	30
Symboles et étiquettes	31
Identification du produit	32
Déballage et montage	33
Batterie et chargeur	35
Utilisation et entretien.	36
Utilisation générale	36
Le système de coupe Gator® Speedload™ (GSL)	37
Entretien.	38
Inspection	39
Nettoyage.	39
Dépannage	40
Caractéristiques et composants	41
Garantie et entretien.	42
Figures	43

Instructions de sécurité importantes

Introduction

Cette tête électrique Multi-accessoires est conçue pour être utilisée par la Batterie Oregon® série B et les accessoires spécifiés pour l'entretien des pelouses et jardins résidentiels. Chaque accessoire Oregon® est conçu pour une tâche spécifique. D'autres utilisations peuvent provoquer des blessures. Lisez et suivez ces instructions afin de réduire au minimum les risques et obtenir les résultats les plus satisfaisants.

Définitions des signaux de sécurité

SYMBOLE	SIGNAL	SIGNIFICATION
	AVERTISSEMENT	Indique un risque potentiel qui pourrait causer de graves blessures.
	MISE EN GARDE	Indique un risque potentiel qui pourrait gravement endommager l'outil ou causer des blessures légères ou modérées.
	IMPORTANT	En suivant ces instructions, vous augmenterez votre degré de satisfaction quant à l'utilisation du produit.

Avertissements de sécurité généraux relatifs aux outils électriques

Lors de l'utilisation de produits électriques, il convient d'appliquer des précautions de base comme celles qui suivent :

⚠ AVERTISSEMENT : Lisez et comprenez l'ensemble des instructions et avertissements de sécurité. Le non-respect des avertissements de sécurité et des instructions peut entraîner une décharge électrique, un incendie et/ou des blessures graves.

⚠ AVERTISSEMENT : Cet appareil électrique ne doit pas être utilisé par des personnes (incluant des enfants) ayant des capacités physiques, sensorielles ou mentales réduites, ou un manque de connaissances, sauf si elles ont été formées et supervisées quant à l'utilisation de l'appareil par une personne responsable de leur sécurité. Les enfants doivent être surveillés afin de s'assurer qu'ils ne jouent pas avec l'appareil.



Conservez l'ensemble des avertissements et des instructions pour référence ultérieure.

Sécurité de la zone de travail

- **Maintenez la zone de travail propre et bien éclairée.** Les zones en désordre ou mal éclairées augmentent les risques d'accidents.
- **Ne faites pas fonctionner les outils électriques dans une atmosphère explosive, telle qu'en présence de liquides inflammables, gaz ou poussières.** Les outils électriques produisent des étincelles qui peuvent enflammer la poussière ou les émanations.
- **Maintenez à distance les enfants et les personnes à proximité lorsque vous utilisez un outil électrique.** Une distraction peut vous faire perdre le contrôle de l'outil.

Sécurité électrique

- **La fiche d'alimentation du chargeur doit correspondre à la prise secteur. Ne modifiez jamais la fiche d'alimentation de quelque manière que ce soit.** L'utilisation de fiches non modifiées et de prises correspondantes réduit le risque de décharge électrique.
- **Protégez le chargeur de la pluie et des conditions humides.** Le risque de décharge électrique augmente si de l'eau pénètre dans le chargeur.
- **Ne procédez pas au chargement en extérieur.**
- **Maniez le câble avec précaution. N'utilisez jamais le câble pour transporter, tirer ou débrancher le chargeur. Tenez le câble éloigné de la chaleur, de l'huile, des bords affûtés et des pièces mobiles.** Des câbles endommagés ou entremêlés augmentent le risque de décharge électrique.
- **N'utilisez pas l'appareil si le fil ou la prise est endommagé.** Si le chargeur de batterie ne fonctionne pas correctement, s'il est tombé, s'il a été endommagé ou laissé à l'extérieur, ou s'il est tombé dans l'eau, renvoyez-le à un centre de service.

Sécurité personnelle

- **Soyez vigilant, regardez ce que vous faites et faites preuve de bon sens lorsque vous utilisez un outil électrique. N'utilisez pas un outil électrique si vous êtes fatigué ou sous l'influence de médicaments, d'alcool ou de drogues.** Un moment d'inattention lors de l'utilisation d'outils électriques peut entraîner de graves blessures corporelles. Conservez une posture de travail correcte, une assise solide et un équilibre ferme pendant l'utilisation. Réduisez la fatigue en modifiant la position de travail ou en prenant des périodes de repos.

- **Utilisez des équipements de protection individuelle. Portez toujours des lunettes de protection.** Un équipement de sécurité comme un masque anti-poussières, des chaussures de sécurité antidérapantes, un casque de sécurité ou une protection auditive, utilisé selon la tâche à effectuer, permettra de diminuer le risque de blessures corporelles.
- **Empêchez les démarrages non souhaités. Assurez-vous que l'interrupteur est en position éteinte avant de brancher l'outil sur le courant et/ou la batterie, avant de le prendre ou de le porter.** Porter les outils électriques avec le doigt sur l'interrupteur ou les alimenter quand l'interrupteur est en position de marche peut provoquer des accidents.
- **Retirez toute clé ou clavette de calage avant la mise en marche de l'outil électrique.** Une clé ou une clavette qui reste attachée à un élément rotatif de l'outil électrique peut provoquer des blessures corporelles.
- **Ne vous penchez pas trop en avant. Maintenez constamment votre équilibre et votre prise au sol.** Cela améliore le contrôle de l'outil électrique en cas de situations imprévues.
- **Habillez-vous de manière appropriée. Ne portez pas de vêtements amples ou de bijoux. Tenez vos cheveux, vêtements et gants éloignés des pièces mobiles.** Les vêtements amples, bijoux ou cheveux longs peuvent s'enchevêtrer dans les pièces mobiles.

Utilisation et entretien des outils électriques

- **Ne forcez pas sur l'outil électrique. Utilisez le taille-haie adapté à votre application.** L'outil électrique adapté effectuera un travail de meilleure qualité et plus sûr, à la vitesse pour laquelle il a été conçu.
- **N'utilisez pas l'outil électrique si vous ne pouvez pas l'allumer ou l'éteindre à l'aide de la gâchette variable.** Tout outil électrique ne pouvant être contrôlé au moyen de l'interrupteur est dangereux et doit être réparé.
- **Débranchez la batterie de l'outil électrique avant d'effectuer des réglages, de changer les accessoires ou d'entreposer les outils électriques.** De telles mesures de sécurité préventives réduisent le risque de démarrer l'outil électrique par accident.
- **Rangez les appareils en veille à l'intérieur. Lorsqu'ils ne sont pas utilisés, les appareils doivent être rangés à l'intérieur, dans un endroit sec et en hauteur, ou enfermés hors de portée des enfants. N'autorisez pas les personnes n'ayant pas l'habitude de l'outil électrique ou n'ayant pas lu les instructions à utiliser l'outil électrique.** Les outils

électriques sont dangereux lorsqu'ils sont entre les mains d'utilisateurs novices.

- **Entretenez les outils électriques. Vérifiez l'absence de mauvais alignement ou de grippage des pièces mobiles, de rupture de pièces et de tout autre état pouvant affecter le fonctionnement de l'outil électrique. S'il est endommagé, faites-le réparer avant de l'utiliser. Consultez la section « Inspection » de ce manuel.** De nombreux accidents sont causés par des outils mal entretenus.
- **Maintenez les outils de coupe affûtés et propres.** Les outils tranchants entretenus et aux bords affûtés risqueront moins de se coincer et seront plus faciles à maîtriser.
- **Utilisez l'outil électrique, les accessoires, les outils, etc. en respectant ces instructions et en tenant compte des conditions de travail ainsi que du travail à effectuer.** L'utilisation de l'outil électrique différente de celle pour laquelle il a été conçu peut engendrer des situations dangereuses.

Utilisation et entretien de l'outil à batterie

- **Rechargez la batterie uniquement avec le chargeur indiqué par le fabricant.** Un chargeur adapté à un certain type de batterie peut être à l'origine d'un incendie s'il est utilisé avec une autre batterie.
- **N'utilisez que les batteries conçues spécialement pour les outils électriques.** L'utilisation d'autres batteries peut être à l'origine d'un incendie ou d'une blessure.
- **Lorsque la batterie n'est pas utilisée, tenez-la éloignée des autres objets métalliques, notamment des trombones, pièces de monnaie, clés, clous, vis ou autres petits objets métalliques, qui peuvent établir une connexion entre les deux bornes.** Court-circuiter les bornes de la batterie peut provoquer des brûlures ou un incendie.
- **Dans des conditions extrêmes, du liquide peut être éjecté de la batterie ; éviter tout contact avec celui-ci. En cas de contact accidentel, rincer avec de l'eau. Si du liquide entre en contact avec les yeux, demandez également un avis médical.** Le liquide éjecté de la batterie peut entraîner une irritation ou des brûlures.

Réparation

Faites entretenir votre outil électrique par un réparateur agréé n'utilisant que des pièces de rechange identiques. Cela garantira que la sécurité de l'outil électrique est maintenue. Tenter d'effectuer une réparation ou un entretien en

déhors du cadre de ce manuel, ou le non-respect des procédures d'inspection et de nettoyage recommandées peut entraîner le refus des demandes de garantie.

Avertissements de sécurité concernant la débroussailleuse

⚠ AVERTISSEMENT : Tenez les mains éloignées du fil de coupe. Tout contact avec le fil de coupe provoque de graves blessures corporelles.

- **Conservez toutes les parties du corps éloignées du fil de coupe. Ne retirez pas le matériau coupé ou ne tenez pas le matériau à couper lorsque le fil de coupe est en mouvement. Vérifiez que la gâchette à vitesse variable est en position éteinte lorsque vous retirez des matériaux coincés. Le fil de coupe coupe encore après extinction de l'appareil.** Un moment d'inattention lors de l'utilisation de la débroussailleuse peut entraîner de graves blessures corporelles.
- **Maintenez les protections en place et en bon état de fonctionnement.**

Batterie et chargeur

- **Utilisez exclusivement les batteries Oregon série B.**
- **Veillez à ce que l'interrupteur soit en position éteinte avant d'insérer la batterie.** L'insertion de la batterie dans un appareil dont l'interrupteur est en position allumée peut être une source d'accidents.
- **Ne pas charger la batterie sous la pluie ou dans des endroits humides.**
- **Conservez le chargeur de batterie éloigné de la pluie ou de l'humidité.** La pénétration d'eau dans le chargeur de batterie peut augmenter le risque de choc électrique.
- **Rechargez la batterie uniquement avec le chargeur indiqué par le fabricant (Chargeurs Oregon série C)** Un chargeur adapté à un certain type de batterie peut être à l'origine d'un incendie s'il est utilisé avec une autre batterie.
- **Ne jetez pas la batterie dans le feu. La cellule peut exploser.** Vérifiez les codes locaux afin de connaître les éventuelles instructions de mise au rebut spéciales.
- **Ne pas charger d'autres batteries sur le chargeur.** Le chargeur de batterie convient uniquement au chargement de batteries ion-lithium spécifiques et approuvées du fabricant, dans l'intervalle de voltage indiqué. Dans le cas contraire, un danger d'incendie ou d'explosion existe.

- **Préservez la propreté du chargeur de batterie. Toute contamination peut entraîner un risque de choc électrique.**
- **Avant chaque utilisation, vérifiez le chargeur de batterie, le câble et la prise. Si vous détectez un dommage, n'utilisez pas le chargeur de batterie. N'ouvrez jamais le chargeur de batterie vous-même. Faites effectuer les réparations exclusivement par un technicien qualifié et uniquement en utilisant des pièces détachées originales.** Les chargeurs de batterie, câbles et prises endommagés augmentent le risque de choc électrique.
- **N'utilisez pas le chargeur de batterie sur des surfaces ou environnements facilement inflammables (par ex., papier, textiles, etc.)** . La montée en chaleur du chargeur de batterie pendant le processus de chargement peut présenter un risque d'incendie.
- **N'utilisez que les batteries que le fabricant destine spécifiquement à l'appareil.** Utilisez exclusivement les batteries Oregon série B. L'utilisation d'autres batteries peut être à l'origine d'un incendie ou d'une blessure.
- Faites preuve de prudence dans la manipulation des batteries, de manière à ne pas mettre en contact la batterie avec des matériaux conducteurs tels que des bagues, bracelets et clés. La batterie ou le conducteur peut surchauffer et provoquer des brûlures.
- **Dans des conditions extrêmes, du liquide peut être éjecté de la batterie ; éviter tout contact avec celui-ci. En cas de contact accidentel, rincer avec de l'eau. Si du liquide entre en contact avec les yeux, demandez également un avis médical.** Le liquide éjecté de la batterie peut entraîner une irritation ou des brûlures.
- **Ne pas ouvrir ou abîmer la batterie.** L'électrolyte libérée est corrosive et peut entraîner des blessures sur les yeux ou la peau. En cas d'ingestion, cela peut être toxique.
- **Protégez la batterie contre la chaleur, par exemple contre la lumière intense du soleil, le feu, l'eau et l'humidité. Tout non-respect peut augmenter le danger d'explosion.**
- **Ne pas court-circuiter la batterie.** Un danger d'explosion existe.
- **En cas de dommage et d'utilisation non appropriée de la batterie, des vapeurs peuvent être émises. Ventilez la zone et demandez une aide médicale en cas de plaintes.** Les vapeurs peuvent irriter le système respiratoire.
- Protégez la batterie contre l'humidité et l'eau.

- Utilisez uniquement la batterie à une température comprise entre 0 °C et 40 °C (32 °F et 104 °F). Par exemple, ne laissez pas la batterie dans une voiture en plein été.
- Nettoyez occasionnellement les fentes de ventilation de la batterie à l'aide d'une brosse douce, propre et sèche.

Rangement

- Rangez toujours la tête électrique et ses accessoires dans un endroit frais et sec, éloigné de la lumière directe du soleil. Une longue exposition à la lumière du soleil et aux rayons UV peut dégrader les plastiques dans le temps, provoquant potentiellement une défaillance des protections.
- Placez le couvercle de protection sur le drive tube pour éviter que la saleté n'entre dans le coupler.

Transport










- Les batteries ion-lithium utilisées sont soumises aux dispositions de la Législation sur les matières dangereuses. L'utilisateur peut transporter les batteries par voie terrestre sans autre exigence.
- En cas de transport par des tiers (par exemple, transport aérien ou agence de fret) des exigences spéciales sur l'emballage et l'étiquetage doivent être respectées. Pour la préparation de l'article expédié, la consultation d'un expert en matières dangereuses est obligatoire.
- N'envoyez les batteries que lorsque leur conditionnement n'est pas endommagé.
- Placez un scotch ou masquez les contacts ouverts et emballez la batterie de manière à ce qu'elle ne puisse pas bouger dans son emballage.
- Veuillez également respecter les réglementations nationales potentiellement plus détaillées.

Mise au rebut

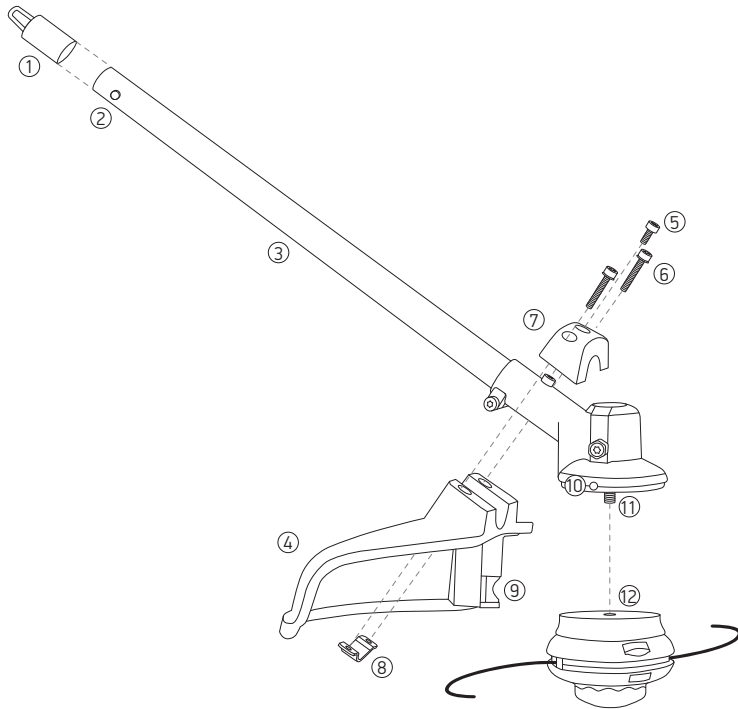
- Ne jetez pas les produits de jardinage, chargeurs de batterie, et batteries/batteries rechargeables dans les déchets ménagers.

Symboles et étiquettes

Ces symboles et étiquettes apparaissent sur la débroussailleuse, la batterie et le chargeur.

SYMBOLE	DÉSIGNATION	EXPLICATION
	Construction de classe II	Outils de construction désignés comme doublement isolés.
	Symbole d'alerte de sécurité	Signifie que le texte qui suit explique un danger, un avertissement ou une mise en garde.
	Lisez le Manuel d'instructions	Le manuel d'instructions original comporte d'importantes informations sur la sécurité et le fonctionnement. Lisez et suivez attentivement les instructions.
	Faites attention aux corps étrangers	Veillez à ce que les passants ne soient pas blessés par les corps étrangers lancés par la machine.
	Zone de sécurité pour les personnes à proximité	Conservez une distance de sécurité entre la machine et les personnes à proximité.
	Aucune lame de coupe	N'installez pas de lames de coupe en métal ou en plastique.
	Protection des yeux	Portez une protection oculaire lorsque vous utilisez l'appareil.
	Portez une protection auditive.	Portez une protection auditive lorsque vous utilisez l'appareil.
	Portez des chaussures de protection.	Portez des bottes de travail fermées lorsque vous utilisez l'appareil.
	Portez des gants.	Portez des gants lorsque vous utilisez la machine ou que vous touchez les lames à l'arrêt.
	Portez un pantalon	Portez un pantalon lorsque vous utilisez la machine.
	Puissance acoustique	Le niveau de puissance acoustique est de 98 db.
	Ne pas incinérer	Ne la jetez pas au feu.
	Ne pas jeter	Ne pas jeter dans les ordures ménagères. Apportez-la dans un centre de recyclage agréé.
	Protégez contre la pluie	N'utilisez pas le chargeur dans des conditions d'humidité.
	Utilisation exclusivement en intérieur	Conçue pour une utilisation en intérieur uniquement.
	Température de fonctionnement	Utilisez uniquement la batterie à une température comprise entre 0 °C et 40 °C (32 °F et 104 °F).
	Retrait de la batterie	Retirez la batterie avant d'effectuer toute opération de maintenance.

Identification du produit



- | | |
|--------------------------|---|
| ① Capuchon de protection | ⑦ Support de montage |
| ② Coupleur | ⑧ Patte de fixation |
| ③ Tube d'entraînement | ⑨ Lame coupe fil |
| ④ Carter de protection | ⑩ Trou de blocage de la tige dans le moyeu d'entraînement |
| ⑤ Vis Torx | ⑪ Tige filetée |
| ⑥ Vis de fixation | ⑫ Tête de la débroussailleuse |

Déballage et montage

Déballage

CONTENU DE LA BOÎTE

La débroussailleuse requiert un montage avant toute utilisation. Les éléments suivants sont livrés avec la débroussailleuse :

- Accessoire de débroussailleuse
- Protection équipée de vis de fixation
- Patte de fixation
- Manuel d'instruction d'origine
- Clé Torx
- Goupille de blocage

Après avoir retiré la débroussailleuse de son carton d'emballage, inspectez-la avec soin afin de vous assurer qu'elle n'a pas été endommagée pendant le transport et qu'aucune pièce ne manque. Si des pièces sont manquantes ou endommagées, n'utilisez pas la débroussailleuse. Contactez Oregon® Système d'outils à batterie au 888 313 8665 ou votre revendeur local pour obtenir des pièces de rechange.

Assemblage

⚠ AVERTISSEMENT : Un outil fonctionnant sur batterie avec la batterie insérée est toujours sous tension et peut démarrer de façon accidentelle. Enlevez la batterie avant toute opération de montage ou d'entretien.

FIXATION DE LA PROTECTION (FIG. A)

⚠ AVERTISSEMENT : La lame de coupe de ligne sur le déflecteur d'herbe est tranchante. Évitez tout contact avec la lame. L'incapacité à éviter tout contact avec la lame peut provoquer de graves blessures corporelles.

- Retirez la batterie.
- Retirez les vis (1) de la protection (2).
- Insérez la patte de fixation (3) sur le support de montage dans la fente de la protection.
- Serrez fermement les vis.

INSTALLATION D'UN ACCESSOIRE SUR LA TÊTE ÉLECTRIQUE (FIG. B)

⚠ AVERTISSEMENT : Lisez et comprenez l'ensemble du Manuel d'instructions d'origine pour chaque accessoire optionnel utilisé sur cette tête électrique et respectez tous les avertissements et instructions. Le non-respect des instructions indiquées ci-dessous peut entraîner une électrocution, un incendie et/ou des blessures corporelles graves.

⚠ AVERTISSEMENT : Cette tête électrique est conçue pour être utilisée uniquement sur les modèles d'accessoires Oregon indiqués dans le présent Manuel d'instructions original. L'utilisation d'autres accessoires peut provoquer de graves blessures corporelles ou matérielles.

Cette tête électrique ne peut être utilisée qu'avec Oregon Multi-accessoires.

L'accessoire se connecte à la tête électrique grâce à un dispositif de raccordement.

- Arrêtez le moteur et retirez la batterie.
- Desserrez le bouton du coupleur sur le tube de la tête électrique et retirez le capuchon de l'extrémité de l'accessoire.
- Appuyez sur le bouton situé sur la tige de l'accessoire. Alignez le bouton sur le creux du guide situé sur le coupleur de la tête électrique, et faites coulisser la tige de l'accessoire dans la tête électrique. Faites pivoter la tige de l'accessoire jusqu'à ce que le bouton se bloque en position.

Remarque : Si le bouton n'est pas totalement engagé dans le trou de positionnement, les tiges ne sont alors pas verrouillées en place. Faites légèrement pivoter d'un côté à l'autre jusqu'à ce que le bouton soit verrouillé.

- Serrez fermement le bouton.

⚠ AVERTISSEMENT : Vérifiez que l'appareil est parfaitement serré avant d'utiliser l'équipement ; vérifiez régulièrement le serrage pendant l'utilisation afin d'éviter toute blessure grave.

RETIRER L'ACCESSOIRE DE LA TÊTE ÉLECTRIQUE

- Arrêtez le moteur, retirez la batterie et enclenchez le verrou de transport.
- Desserrez le bouton.
- Appuyez sur le bouton et faites pivoter les tiges pour retirer et séparer la tige.

RALLONGE DU SOUFFLEUR (FIG. C)



⚠ AVERTISSEMENT : N'utilisez pas de rallonge avec la débroussailleuse.

N'utilisez pas de lame en métal ou en plastique avec la débroussailleuse.

AJUSTER LA SANGLE (FIG. D)

- Placez l'épaulière.
- Ajustez la longueur de la sangle. Le mousqueton doit se situer à environ une largeur de main sous la hanche droite de l'utilisateur.
- Détachez le harnais en appuyant sur la barre du mousqueton et en retirant la boucle du harnais du mousqueton.

Batterie et chargeur

⚠ AVERTISSEMENT : Pour réduire le risque de décharge, ne chargez pas la batterie sous la pluie.

INDICATEUR LED DU NIVEAU DE CHARGE DE LA BATTERIE

La batterie au lithium-ion est équipée d'un indicateur LED de niveau de charge. Pour tester le niveau de charge de la batterie, appuyez sur le bouton indicateur situé à l'avant de la batterie.

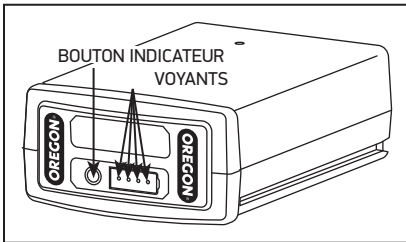
Aucun voyant : recharge.

Une lumière fixe verte :
Batterie chargée à moins de 25 %.
Chargez la batterie avant toute utilisation.

Deux lumières fixes vertes :
Batterie chargée entre 26 et 50 %.

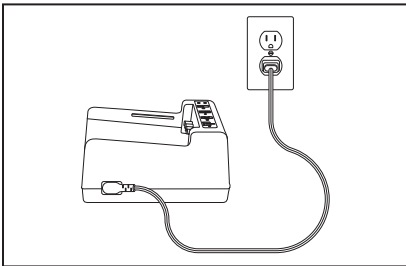
Trois lumières fixes vertes :
Batterie chargée entre 51 et 75 %.

Quatre lumières fixes vertes :
Batterie chargée entre 76 et 100 %.



CONNEXION DU CHARGEUR

Si le chargeur comporte un câble d'alimentation distinct, connectez le câble du chargeur au chargeur et à une prise de courant adaptée.



N'utilisez que le jeu de câbles fourni avec le chargeur. La première fois, vérifiez que le type de fiche correspond à la prise.

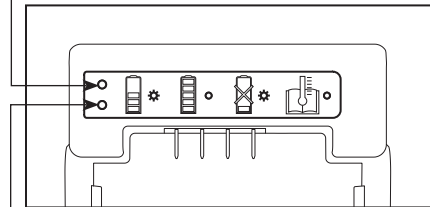
INDICATEUR LED DE NIVEAU DE CHARGE DU CHARGEUR

Le chargeur de batterie est équipé d'un indicateur de charge LED qui indique le niveau de charge, ainsi que les situations pouvant retarder ou empêcher la mise en charge.

Remarque : Aucun voyant n'est visible avant la mise en place de la batterie.

Voyant orange clignotant : signale une défaillance. Elle peut avoir plusieurs raisons. Consultez la section « Dépannage » de ce manuel.

Voyant orange fixe : la température de la batterie dépasse la plage de tolérance (de 0 °C à 40 °C/de 32 °F à 104 °F). Laissez la batterie redescendre à une température acceptable avant de la mettre en charge. La batterie peut être laissée sur le chargeur jusqu'à ce que la température redevienne normale. La mise en charge commencera lorsque la température adéquate sera atteinte.



Voyant vert clignotant : la batterie est en charge.

Voyant vert fixe : la batterie est prête à fonctionner.

Chargement de la batterie

⚠ AVERTISSEMENT : Le non-respect des procédures de chargement peut entraîner une surtension, une intensité de courant excessive, une perte de contrôle durant la charge, une fuite de produits chimiques dangereux, une production de chaleur, une explosion ou un incendie. Respectez les instructions de chargement suivantes.

Une fois le câble du chargeur connecté et branché dans une prise de courant, alignez les rainures de la batterie sur les rails du chargeur et faites glisser la batterie sur le chargeur jusqu'à ce qu'elle soit bien enclenchée.

Pour de plus amples informations, veuillez consulter les manuels de votre batterie et chargeur.

Utilisation et entretien

Utilisation générale



⚠ AVERTISSEMENT : Pour réduire le risque de blessure, portez toujours des bottes, des pantalons et des protections auditives et oculaires adéquats.

⚠ AVERTISSEMENT : Pour réduire le risque de blessure, ne vous penchez pas trop en avant et ne vous tenez pas sur une échelle, un escabeau ou dans une position élevée qui n'est pas complètement sécurisée.

⚠ MISE EN GARDE : Établissez une zone de sécurité de 15 m (50 pieds) pour les personnes à proximité avant d'utiliser cet équipement. Cette zone de sécurité est un cercle de 15 m (50 pi) autour de l'utilisateur qui ne doit inclure aucun(e) personne à proximité, enfant ou animal.

Pour obtenir les meilleures performances et manier la tête électrique en toute sécurité, suivez ces instructions :

Avant utilisation, inspectez la tête électrique et les accessoires, comme décrit dans la section « Entretien ».

Consultez toujours les instructions originales fournies avec l'accessoire pour connaître les instructions d'utilisation et de sécurité supplémentaires. Tout non-respect peut entraîner une blessure.

TEMPÉRATURE DE FONCTIONNEMENT

La tête électrique et les accessoires sont conçus pour fonctionner dans un intervalle de température compris entre 0° C et 40° C (32° F et 104° F).

POSITION

Tenez-vous debout, les pieds posés sur un sol ferme, tout en répartissant votre poids de façon égale sur chaque pied.

Soyez prudent dans les escaliers et travaillez lentement pour maintenir une posture stable. Ne courez jamais lorsque vous faites fonctionner la tête électrique.

ENCLÈCHEMENT DU VERROU DE TRANSPORT (FIG. E)

- Déplacez le bouton vers la droite afin d'enclencher le verrou de transport.
- Déplacez le bouton vers la gauche afin de dégager le verrou de transport lorsque vous souhaitez démarrer l'outil.

ARRÊTER LA TÊTE ÉLECTRIQUE (FIG. F)

Relâchez la gâchette de vitesse variable pour arrêter la tête électrique.

DÉMARRER LA TÊTE ÉLECTRIQUE (FIG. G)

⚠ AVERTISSEMENT : Pour réduire le risque de blessure, ne forcez jamais le bouton de verrouillage de la gâchette en scotchant, attachant ou arrimant le bouton de verrouillage de la gâchette.

- Dégagez le verrou de transport **(1)** en déplaçant le bouton vers la gauche.
- Saisissez fermement la poignée de sorte que le bouton de verrouillage de la gâchette puisse être actionné de la paume de la main **(2)**.
- Pour démarrer la tête électrique, appuyez sur la gâchette de vitesse variable **(3)**. Appuyez plus fermement sur la gâchette de vitesse variable pour augmenter la vitesse et la puissance de la tête électrique.

INSERTION ET RETRAIT DE LA BATTERIE (FIG. H)

Utilisez uniquement les batteries de la marque Oregon® indiquées dans ces instructions d'utilisation.

Alignez la rainure de la batterie sur les rails du port de batterie. Insérez fermement la batterie dans le port de batterie de la tête électrique, puis appuyez jusqu'à ce que vous entendiez un clic indiquant que la batterie s'est enclenchée.

Pour retirer la batterie, levez le bouton de libération de la batterie, saisissez la batterie par ses côtés et retirez-la.

UTILISATION DE LA DÉBROUSSAILLEUSE

⚠ AVERTISSEMENT : Tenez toujours la débroussailleuse éloignée du corps en maintenant un espace de sécurité entre le corps et l'outil. Tout contact avec un accessoire de coupe peut entraîner des brûlures et/ou autres blessures graves.

Si des débris sont pris dans l'accessoire, relâchez la gâchette de vitesse variable, retirez la batterie et retirez les débris.

Le système de coupe Gator® Speedload™ (GSL)

Avancement du fil de coupe

La bobine du GSL dure plus longtemps que les fils de coupe classiques. Cependant, le fil de coupe s'usera à terme. Faites avancer le fil en heurtant la tête sur le sol pour faire sortir plus de fil de la bobine.

Tout en laissant tourner le moteur et la tête de la débroussailleuse, heurtez celle-ci contre le sol. Du fil de coupe supplémentaire sort de la bobine et l'excès de fil est coupé par la lame coupe-fil située en bas de la protection.

Si le fil de coupe ne sort pas, cela peut signifier que la bobine est vide. Éteignez la débroussailleuse/le taille-haie et remplacez la bobine comme décrit dans la section « Remplacer la bobine de GSL ».

OUVERTURE DE LA TÊTE DU GSL (FIG. I)

⚠ AVERTISSEMENT : Un outil fonctionnant sur batterie avec la batterie enclenchée est toujours sous tension et peut démarrer de façon accidentelle. Enlevez la batterie de la débroussailleuse avant l'inspection, le nettoyage ou l'entretien.

Si vous détectez un problème avec le fonctionnement du Système de coupe GSL et que vous devez inspecter la bobine ou la tête, veuillez procéder comme suit pour ouvrir la tête du GSL :

- Retirez la batterie, puis placez la débroussailleuse la tête en bas.
- Appuyez sur la tête du GSL pour dégager la partie inférieure de la base.

FERMETURE DE LA TÊTE DU GSL (FIG. J)

- Contrôlez la bobine et dégagez tout blocage ou remplacez la bobine. Voir la section « Remplacer le GSL ».
- Retirez les copeaux, la saleté et les débris.
- Remettez la tête du GSL sur la base et appuyez fermement jusqu'à ce que vous entendiez un « clic ».

REMPLENER LA BOBINE DU GSL (FIG. K)

La débroussailleuse est équipée du système de coupe GSL innovant. La tête du GSL contient une bobine de fil de coupe qui est pré-enroulé et auto-contenu. La bobine du GSL dure plus longtemps que les fils de coupe classiques. Retirer et remplacer la bobine est simple.

- Tirez la tête hors de sa base. Retirez la bobine usée et jetez-la **(1)**.
- Ôtez deux parties distinctes du fil de coupe à chaque extrémité de la bobine. Veillez à ce que chaque partie soit retirée de manière à créer un petit espace entre les fils de coupe retirés et la bobine **(2)**.
- Placez la bobine à l'intérieur de la tête en plaquant le trou central de la bobine dans le trou au centre de la tête. Appuyez fermement sur la bobine pour la mettre en place **(3)**.
- Veillez à ce que les extrémités des parties du fil de coupe s'ajustent dans les deux ensembles de brides de la tête **(4)**.
- Remettez la tête du GSL sur la base et appuyez fermement jusqu'à ce que vous entendiez un « clic ».

La bobine à languette et rainures innovante supprime la nécessité de fileter le fil de coupe. Les bobines durent plus longtemps que les fils de coupe classiques.

RETRAIT ET REMPLACEMENT DE LA TÊTE DU GSL (FIG. L)

Si la tête du GSL est fendue ou cassée, elle doit être retirée et remplacée par une nouvelle. De plus, s'il y a une accumulation de copeaux ou de débris entre la tête de la débroussailleuse et le carter de protection, il est plus facile de les nettoyer en retirant d'abord la tête de la débroussailleuse.

- Retirez la batterie, puis placez la débroussailleuse la tête en bas.
- Suivez les instructions de la section « Ouverture de la tête du GSL ».
- Utilisez un tournevis plat pour maintenir la broche et faites pivoter la base de la débroussailleuse dans le sens contraire des aiguilles d'une montre afin de desserrer l'écrou central **(1)**.
- Retirez la base du GSL.
- Retirez la protection contre le grippage dû à l'herbe de la tête de la débroussailleuse **(2)**.
- Insérez la nouvelle protection contre le grippage dû à l'herbe.
- Pour fixer une nouvelle tête de GSL, faites coulisser l'écrou dans l'ouverture centrale de la tête du GSL **(3)**.
- Placez la tête du GSL à l'intérieur du compartiment de la débroussailleuse.
- Serrez fermement l'écrou **(4)**.
- Suivez les instructions de la section « Remplacer la bobine du GSL » afin de placer une nouvelle bobine de fil de coupe dans la débroussailleuse.
- Fermez la tête.

AFFÛTER LA LAME DU COUPE FIL (FIG. M)

S'il est recommandé qu'un concessionnaire Oregon® affûte la lame du coupe fil, elle peut toutefois être affûtée par l'utilisateur.

L'affûtage de la lame du coupe fil nécessite une lime plate.

Après avoir pris la lime, enfillez des gants et mettez une protection oculaire et retirez la batterie.

- Posez la débroussailleuse sur le côté, la lame du coupe fil sur le dessus et face à la partie inférieure de la tête de la débroussailleuse.
- Placez la lime contre le bord tranchant de la lame du coupe fil **(1)**.
- Poussez la lime vers le bas et la droite, en retirant du matériau du bord de coupe **(2)**.
- Répétez jusqu'à ce que la lame du coupe fil soit affûtée.

CORRECTION DU GRIPPAGE CAUSÉ PAR LA COUPE DE L'HERBE

⚠ MISE EN GARDE : Un outil fonctionnant sur batterie avec la batterie enclenchée est toujours sous tension et peut démarrer de façon accidentelle. Retirez toujours la batterie avant de corriger le grippage causé par la coupe de l'herbe pour éviter toute activation accidentelle de la tête de la débroussailleuse.

Certains types et certaines longueurs de pelouse peuvent parfois être coincés entre la tête de la débroussailleuse et la broche. Quand cela arrive, la pelouse s'enroule rapidement autour de l'arbre, ce qui obstrue l'espace entre l'arbre et la tête, puis ralentit ou arrête la rotation de la tête. On appelle cet état le grippage causé par la coupe de l'herbe. La débroussailleuse est équipée d'une protection contre le grippage dû à l'herbe entre la tête de la débroussailleuse et la broche afin de réduire le grippage dû à l'herbe, mais ce problème peut cependant se produire occasionnellement.

Pour corriger le grippage causé par la coupe de l'herbe :

- Retirez la batterie.
- Retirez la tête de la débroussailleuse.
- Nettoyez toute l'herbe ou les mauvaises herbes coincées dans la broche. Si nécessaire, coupez la pelouse ou les mauvaises herbes pour les libérer.
- Une fois la broche nettoyée, remplacez la tête de la débroussailleuse.

Entretien

⚠ AVERTISSEMENT : Un outil fonctionnant sur batterie avec la batterie insérée est toujours sous tension et peut démarrer de façon accidentelle. Enlevez la batterie de la tronçonneuse avant l'inspection, le nettoyage ou l'entretien.

⚠ MISE EN GARDE : Inspectez régulièrement la débroussailleuse. Une inspection régulière est la première étape d'un entretien correct. Suivez les consignes ci-dessous pour augmenter la sécurité et votre niveau de satisfaction. Remplacez immédiatement toute pièce endommagée ou trop usée.

⚠ MISE EN GARDE : Lorsque vous nettoyez la débroussailleuse, ne la plongez pas dans l'eau ou dans d'autres liquides. N'utilisez pas de nettoyeur haute pression pour nettoyer la débroussailleuse.

Inspection

Avant chaque utilisation et si la débroussailleuse est tombée, inspectez les éléments suivants :

TÊTE DE LA DÉBROUSSAILLEUSE

- Assurez-vous que la tête de la débroussailleuse ne comporte aucune craquelure ni autre défaut. Si elle est endommagée, remplacez-la. Si une tête de débroussailleuse endommagée se casse durant l'utilisation, cela peut entraîner de graves blessures corporelles.
- Vérifiez que la tête de la débroussailleuse tourne librement et que le fil pour débroussailleuse avance. Si la tête ne tourne pas librement, consultez la section « Correction du grippage causé par la coupe de l'herbe ».
- Si le fil de coupe de la débroussailleuse est coincé ou emmêlé, ouvrez la tête du GSL et vérifiez la bobine. Remplacez ou réinstallez la bobine selon les besoins.
- Inspectez la protection contre le grippage dû à l'herbe pour vous assurer qu'il n'est ni fissuré, ni cassé, ni desserré. Si elle est endommagée, remplacez-la.
- Inspectez le carter de protection et remplacez-le s'il est endommagé.

TÊTE MOTRICE

- la poignée ne doit pas comporter de fissures ni aucun autre défaut. Elle doit être propre, sèche et exempte d'huile, d'humidité ou de tout élément qui pourrait empêcher de la saisir fermement.
- l'évent de refroidissement de l'électronique ne doit pas être obstrué par des débris.
- La batterie doit être propre et sèche et ne pas comporter de trous, d'impacts ou tout autre défaut. Les contacts doivent être propres, secs et ne pas être obstrués par des débris.
- Le port de batterie et les connecteurs doivent être propres, secs et ne pas être obstrués par des débris.
- La gâchette de vitesse variable doit fonctionner sans heurt et doit augmenter la vitesse de la tête électrique en fonction de la pression exercée.
- La gâchette de vitesse variable doit empêcher le moteur de démarrer si elle n'est pas actionnée.
- les vis doivent être bien serrées et tenir chaque composant en place.

Nettoyage

⚠ MISE EN GARDE : Lorsque vous nettoyez la tête électrique et ses accessoires, ne les plongez pas dans l'eau ou dans d'autres liquides. N'utilisez pas de nettoyeur haute pression pour nettoyer la tête électrique et ses accessoires.

- Retirez la batterie.
- Retirez tout débris se trouvant sur la grille d'entrée pour assurer un flux d'air non restreint.
- Nettoyez les débris présents dans le port de la batterie et essuyez les connecteurs.
- Essuyez la débroussailleuse pour enlever la poussière et les copeaux.

BATTERIE

IMPORTANT : La batterie ne contient aucune pièce pouvant être réparée par l'utilisateur. Ne la démontez pas.

Les batteries au lithium-ion ont un temps de fonctionnement limité. Si la durée d'utilisation par charge diminue notablement en mode d'utilisation normale, la batterie arrive en fin de vie et doit être remplacée.

- Assurez-vous que la batterie, y compris les connecteurs, est propre, sèche et exempte de trou, d'impact ou d'autre défaut. Une batterie cassée peut provoquer des incendies ou libérer des produits chimiques dangereux.
- Nettoyez les connecteurs sales à l'aide d'un chiffon doux et sec. La poussière ou l'huile peut entraîner une mauvaise connexion électrique, causant ainsi une perte de puissance.
- Entreposez la batterie pleinement chargée, si possible sur un chargeur.

CHARGEUR

IMPORTANT : Le chargeur ne contient aucune pièce pouvant être réparée par l'utilisateur. Ne la démontez pas.

- Débranchez le chargeur de la prise de courant.
- Nettoyez les connecteurs sales à l'aide d'un chiffon doux et sec.

Dépannage

Utilisez le tableau suivant pour obtenir des solutions éventuelles en cas de problème avec la débroussailleuse. Si ces propositions ne résolvent pas le problème, consultez la section « Garantie et entretien ».

SYMPTÔME	CAUSE ÉVENTUELLE	MESURES RECOMMANDÉES
La débroussailleuse/ coupe-bordure ne coupe pas correctement	Accumulation d'herbe entre l'arbre et la tête de la débroussailleuse	Voir la section « Correction du grippage causé par la coupe de l'herbe ».
	La bobine du GSL est vide	Voir la section « Remplacer la bobine du GSL ».
Fil pour débroussailleuse n'alimente pas	La bobine du GSL est vide	Voir la section « Remplacer la bobine du GSL ».
	Fil emmêlé	Retirez la bobine du GSL. Voir la section « Remplacer la bobine du GSL ».
Le fil pour débroussailleuse s'use rapidement	Vitesse de coupe plus élevée que nécessaire	Appliquez moins de pression sur la gâchette à vitesse variable.
	Mauvaise technique de coupe	Évitez de forcer la tête de la débroussailleuse contre des surfaces dures. Baissez lentement la tête jusqu'à ce que le bord du fil frappe la pelouse ou les mauvaises herbes.
La débroussailleuse/le coupe-bordure vibre excessivement pendant l'utilisation	Tête du GSL endommagée	Voir la section « Système de coupe Gator® Speedload™ (GSL) ».
	La tête du GSL n'est pas correctement fixée	Retirez la tête du GSL et réinstallez-la, en vous assurant que l'écrou est correctement fixé. Voir la section « Système de coupe Gator® Speedload™ (GSL) ».
	La lame du coupe fil est émoussée	Voir la section « Affûter la lame du coupe fil »
L'extrémité du fil de coupe est effiloché, emmêlé, ou coupé de manière non uniforme	La lame du coupe fil est émoussée	Voir la section « Affûter la lame du coupe fil »

Caractéristiques et composants

⚠ AVERTISSEMENT : L'utilisation de pièces de rechange autres que celles spécifiées dans le présent manuel augmente les risques de blessures. N'utilisez jamais d'autres accessoires que ceux décrits dans le présent manuel.

COMPOSANTS DE RECHANGE		RÉFÉRENCE DE LA PIÈCE
Batterie, modèle B425E		545938
Batterie, modèle B600E		548208
Batterie, modèle B650E		545937
Chargeur avec câble, modèle C600		540580
Chargeur avec câble, modèle C650		594076
Chargeur rapide avec câble, modèle C750		548185
CHARGEUR, MODÈLE C600		
Entrée	100-240 V~ 50-60 Hz 60 W	
Entrée (États-Unis et Canada uniquement)	120 V~ 60 Hz 60 W	
Sortie	41,5 V === 1,25 A	
Câble d'alimentation	Réf. USA/CAN : 546636 Réf. EUR : 547383 Réf. R.-U. : 547384 réf AU/NZ : 560663	
CHARGEUR, MODÈLE C650		
Entrée	100-240 V~ 50-60 Hz 60 W	
Entrée (États-Unis et Canada uniquement)	120 V~ 60 Hz 60 W	
Sortie	41,5 V=== 1,8 A	
Câble d'alimentation	Réf. USA/CAN : 546636 Réf. EUR : 547383 Réf. R.-U. : 547384 réf AU/NZ : 560663	
CHARGEUR, MODÈLE C750		
Entrée	100-240 V~ 50-60 Hz 260 W	
Entrée (États-Unis et Canada uniquement)	120 V~ 60 Hz 260 W	
Sortie	41 V=== 4,6 A	
Câble d'alimentation	Réf. USA/CAN : 585068 EU P/N : 585069 Réf. R.-U. : 585070 AU/NZ P/N : 585073	
BATTERIE		
Type	LITHIUM-ION	
Température de fonctionnement	0 °C à 40 °C (32 °F à 104 °F)	
Modèle	Capacité nominale	Tension nominale
B425E	2,6 Ah/94 Wh	+36 V c.c.
B600E	4,0 Ah/144 Wh	+36 V c.c.
B650E	6,0 Ah/216 Wh	+36 V c.c.
Débroussailleuse		
Diamètre de coupe	36 cm (14 po)	
Jauge de fil	2 mm (0,080 po) Gator® SpeedLoad™	
Poids	1,6 kg (3,7 lb)	

Garantie et entretien

Garantie

Blount, Inc. garantit tous les outils à batterie et les chargeurs enregistrés chez Oregon® pour une période de trois (3) ans et toutes les batteries enregistrées chez Oregon® pour une période de deux (2) ans à compter de la date d'achat initial. Les outils à batterie, les batteries et les chargeurs enregistrés chez Oregon® sont garantis pour une période de deux (2) ans s'ils sont utilisés dans un cadre commercial. Cette garantie limitée s'applique aux produits fabriqués par le système d'outils à batterie Oregon®. Pendant la période de garantie, Blount remplacera ou décidera de réparer, sans frais, et uniquement pour l'acheteur initial, tout produit ou pièce qui, après avoir été examiné par Blount, révèle un défaut de matériel et/ou de main-d'œuvre. Les frais de transport sont à la charge de l'acheteur ainsi que tous frais de remplacement de pièce soumise à la présente garantie.

Pour enregistrer votre produit, visitez la section « **assistance** » sur **OregonCordless.com**.

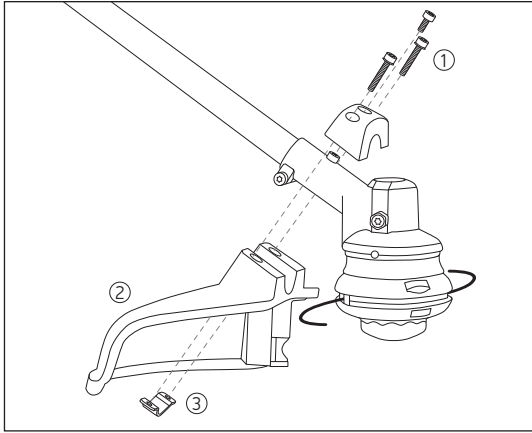
Informations sur l'entretien et l'assistance

Pour plus d'informations sur le service après-vente, consultez notre site Web à l'adresse **OregonCordless.com**. Vous pouvez également contacter notre service à la clientèle au 888.313.8665 pour obtenir de l'aide, des conseils techniques supplémentaires, une réparation ou des pièces de rechange.

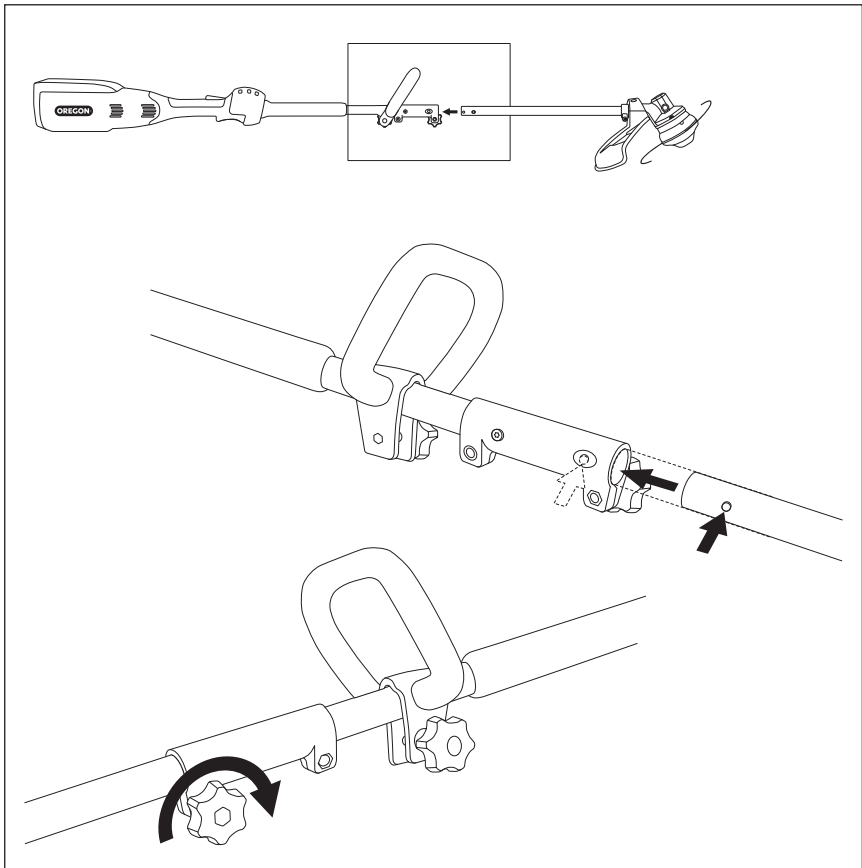
Pour votre sécurité, n'utilisez que des pièces de rechange pour outil électrique fabriquées dans nos ateliers. Le personnel de notre service après-vente a été formé pour vous fournir un soutien et une assistance efficaces en matière de réglage, réparation ou remplacement de tous les produits du système d'outils à batterie Oregon®.

Figures

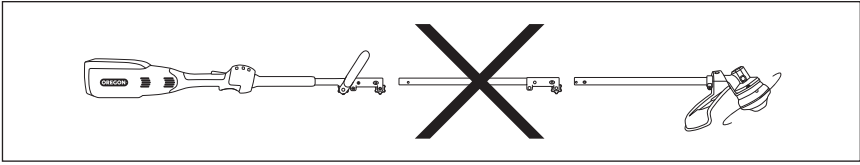
A



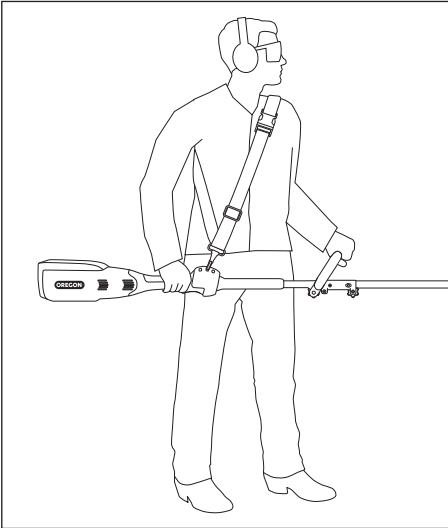
B



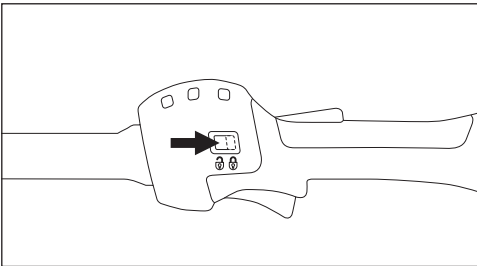
C



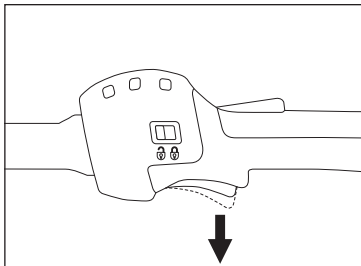
D



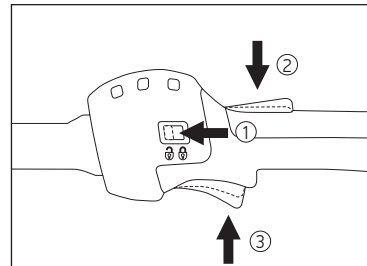
E



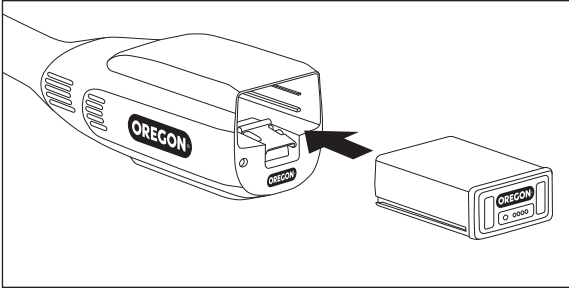
F



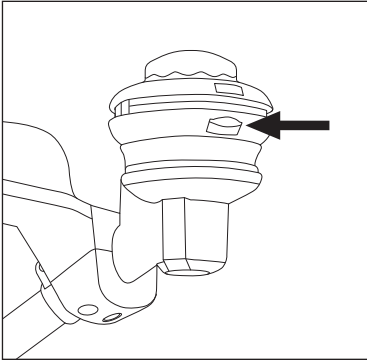
G



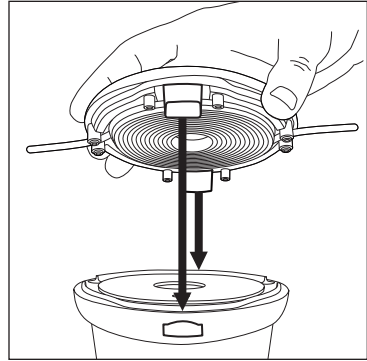
H



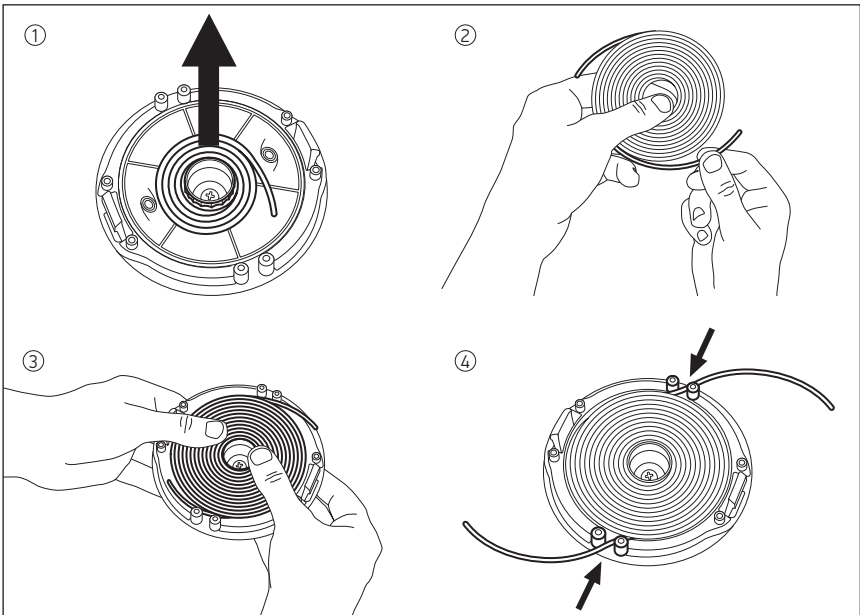
I



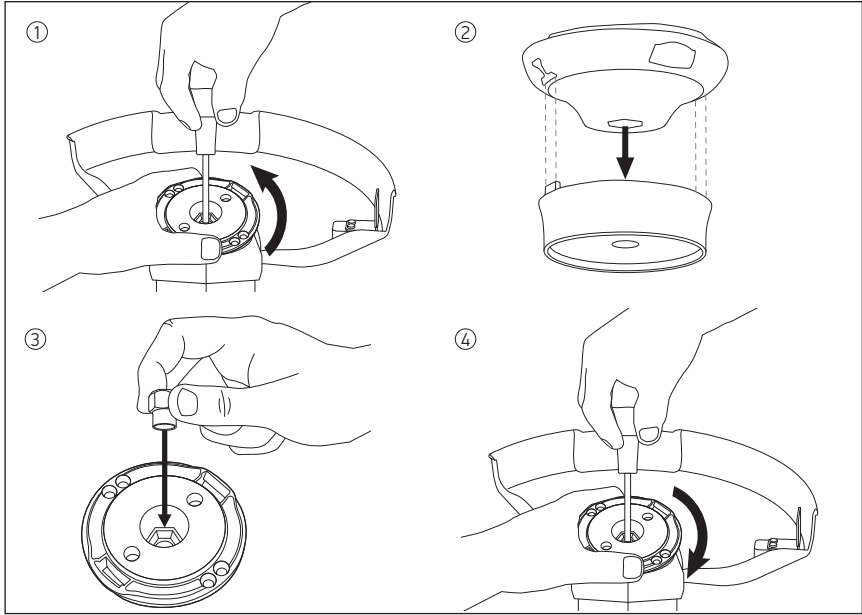
J



K



L



M

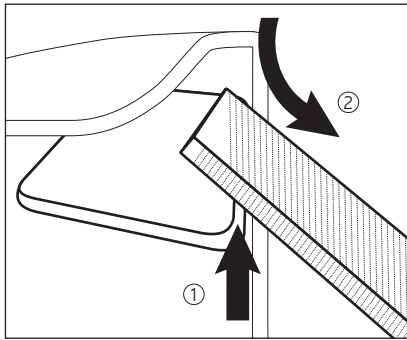




Table of Contents



Instrucciones importantes de seguridad	49
Definiciones de las marcas de seguridad	49
Advertencias generales de seguridad de herramientas eléctricas	49
Seguridad del área de trabajo	50
Seguridad eléctrica	50
Seguridad personal	50
Uso y cuidado de la herramienta eléctrica	50
Uso y cuidado de la batería	51
Servicio	51
Batería y cargador	51
Almacenamiento	52
Transporte	52
Eliminación	52
Símbolos y etiquetas	53
Identificación del producto	54
Desembalaje y montaje	55
Batería y cargador	57
Funcionamiento y mantenimiento	58
Funcionamiento general	58
El sistema de corte Gator® Speedload™ (GSL)	59
Mantenimiento	61
Inspección	61
Limpieza	61
Resolución de problemas	62
Especificaciones y componentes	63
Garantía y servicio	64
Figuras	65

Instrucciones importantes de seguridad

Introducción

Este cuerpo de motosierra con múltiples accesorios está diseñado para su uso con la serie B de baterías de Oregon® y con sus accesorios específicos para usos generales en césped residencial y mantenimiento de jardines. Todos los accesorios de Oregon® han sido diseñados para un fin en particular. Su uso con otros fines puede producir lesiones. Lea y siga estas instrucciones para minimizar los riesgos y hacer el uso más adecuado posible del dispositivo.

Definiciones de las marcas de seguridad

SÍMBOLO	MARCA	SIGNIFICADO
	ADVERTENCIA	Indica un posible peligro que podría provocar una lesión grave.
	PRECAUCIÓN	Indica un posible peligro que podría provocar un daño considerable a la herramienta o una lesión leve o moderada.
	IMPORTANTE	Seguir estas instrucciones aumentará su satisfacción con la herramienta.

Advertencias generales de seguridad de herramientas eléctricas

Cuando utilice dispositivos eléctricos, tome siempre precauciones básicas, como:

⚠ ADVERTENCIA: Lea y comprenda todas las advertencias de seguridad y todas las instrucciones. No seguir las advertencias y las instrucciones puede provocar descargas eléctricas, incendios y/o lesiones graves.



⚠ ADVERTENCIA: Esta herramienta eléctrica no está diseñada para que la usen personas (incluidos los niños) con capacidades físicas, sensoriales o mentales reducidas, o con falta de experiencia y conocimiento, a menos que hayan sido supervisadas o instruidas en el uso de este aparato por una persona responsable de su seguridad. Se debe vigilar a los niños para asegurarse de que no jueguen con los dispositivos.

Conserve todas las advertencias e instrucciones para uso futuro.

Seguridad del área de trabajo

- **Mantenga el área de trabajo limpia y bien iluminada.** La falta de luz y el desorden contribuyen a que se produzcan accidentes.
- **No utilice las herramientas eléctricas en lugares con riesgo de explosión, como en presencia de gases, polvo o líquidos inflamables.** Las herramientas eléctricas producen chispas que pueden provocar una explosión con el polvo o las emanaciones.
- **Mantenga a los niños alejados y no se acerque a otras personas mientras esté utilizando una herramienta eléctrica.** Las distracciones pueden provocar que pierda el control de la herramienta.

Seguridad eléctrica

- **Los enchufes del cargador deben coincidir con el tomacorriente. Nunca modifique el enchufe de ningún modo.** Para reducir el riesgo de que se produzca una descarga eléctrica, utilice enchufes no modificados y tomas de corriente adecuadas.
- **No exponga el cargador a condiciones de lluvia o humedad.** La entrada de agua en el cargador aumentará el riesgo de que se produzca una descarga eléctrica.
- **No cargue el aparato en exteriores.**
- **No fuerce el cable. Nunca utilice el cable para transportar, tirar o desconectar el cargador. Mantenga el cable alejado de fuentes de calor, aceite, bordes afilados o piezas en movimiento.** Los cables dañados o enredados aumentan el riesgo de que se produzca una descarga eléctrica.
- **No utilice el aparato con un cable o un enchufe dañados.** Si el cargador de batería no funciona correctamente, si se ha caído al suelo, está dañado, se ha dejado en exteriores o se ha caído al agua, llévelo a un centro de servicio.

Seguridad personal

- **Permanezca atento, preste atención a lo que hace y utilice el sentido común al utilizar una herramienta eléctrica. No utilice una herramienta eléctrica cuando esté cansado o bajo los efectos de drogas, alcohol o medicación.** En un momento de descuido mientras utiliza herramientas eléctricas se pueden producir lesiones graves. Mantenga una posición corporal correcta cuando utilice este dispositivo. Reduzca la fatiga cambiando de posición y haciendo descansos periódicamente.

- **Utilice equipo de protección personal. Utilice siempre protección para los ojos.** La utilización de un equipo de protección para las condiciones apropiadas, como una máscara contra el polvo, calzado de seguridad antideslizante, un casco de seguridad o protección para los oídos, reducirá el riesgo de lesiones.
- **Evite que se ponga en marcha de forma involuntaria. Asegúrese de que el interruptor esté en posición de apagado antes de conectar la batería, coger la herramienta o transportarla.** Transportar las herramientas eléctricas mientras su dedo está sobre el interruptor, o hacer funcionar las herramientas que estén encendidas invita accidentes.
- **Retire cualquier llave de ajuste o llave fija antes de poner en marcha la herramienta.** Si se deja una llave fija o de ajuste acoplada a una pieza giratoria de la herramienta eléctrica, puede sufrir lesiones personales.
- **No estire el cuerpo para intentar llegar a algo fuera de su alcance. Mantenga los pies bien apoyados y un equilibrio adecuado en todo momento.** Esto permite controlar mejor la herramienta eléctrica en situaciones inesperadas.
- **Vístase en forma adecuada. No utilice ropa suelta ni joyas. Mantenga el pelo, la ropa y los guantes alejados de las piezas en movimiento.** La ropa suelta, las joyas o el pelo largo pueden quedar atrapados en las piezas en movimiento.

Uso y cuidado de la herramienta eléctrica

- **No fuerce la herramienta eléctrica. Utilice la herramienta eléctrica correcta para cada uso.** La herramienta eléctrica adecuada hará el trabajo mejor y de forma más segura a la velocidad para la que se diseñó.
- **No utilice la herramienta eléctrica si al accionar el acelerador de velocidad variable no se enciende y apaga.** Cualquier herramienta eléctrica que no se pueda controlar con el interruptor es peligrosa y debe ser reparada.
- **Antes de realizar ajustes, cambiar accesorios o guardar una herramienta eléctrica, desconecte el enchufe de la fuente de alimentación o la batería de la misma.** Dichas medidas de seguridad preventivas reducen el riesgo de arrancar la herramienta eléctrica en forma accidental.

- **Guarde las herramientas en interiores cuando no las esté utilizando. Cuando no estén en uso, los dispositivos deben guardarse en ambientes cerrados, en un lugar elevado o cerrado con llave, fuera del alcance de los niños. No permita que personas que no estén familiarizadas con el funcionamiento de las herramientas eléctricas o con estas instrucciones utilicen el dispositivo.** Las herramientas eléctricas son peligrosas en las manos de usuarios no capacitados.
- **Realice el mantenimiento de las herramientas eléctricas. Compruebe si las piezas móviles están desalineadas o se han atascado, si se han roto piezas y se ha producido cualquier otra circunstancia que pudiese afectar al funcionamiento de la herramienta eléctrica. Si está dañada, repare la herramienta eléctrica antes de utilizarla. Consulte la sección "Inspección" en este manual.** Con frecuencia son herramientas eléctricas con un mantenimiento deficiente las que provocan muchos de los accidentes.
- **Mantenga las herramientas de corte afiladas y limpias.** Las herramientas de corte a las que se realiza el mantenimiento adecuado y que tienen los bordes de corte afilados tienen menos probabilidades de atascarse y son más fáciles de controlar.
- **Utilice la herramienta eléctrica, los accesorios, las cuchillas, etc. de acuerdo con estas instrucciones, teniendo en cuenta las condiciones de trabajo y la tarea que se va a realizar.** La utilización de la herramienta eléctrica para operaciones distintas de las operaciones para las que se diseñó podría provocar una situación peligrosa.

Uso y cuidado de la batería

- **Recargue solo con el cargador especificado por el fabricante.** Un cargador que es adecuado para un tipo de batería podría crear un riesgo de incendio cuando se utiliza con otra batería diferente.
- **Utilice herramientas eléctricas solamente con baterías específicamente diseñadas.** La utilización de cualquier otra batería puede originar un riesgo de lesiones e incendio.
- **Cuando no utilice la batería, manténgala alejada de objetos metálicos como clips, monedas, llaves, clavos, tornillos u otros pequeños objetos de metal que puedan hacer conexión de un terminal a otro.** Si se produce un cortocircuito por contacto de los polos de la batería se podrían causar quemaduras o un incendio.

- **Si se opera en forma indebida, es posible que salga líquido de la batería; evite el contacto con él. Si se produce el contacto de manera accidental, échele agua. Si el líquido entra en contacto con los ojos, además busque ayuda médica.** El líquido que sale de la batería puede causar irritación o quemaduras.

Servicio

Las reparaciones de la herramienta eléctrica debe llevarlas a cabo una persona cualificada para ello y solo debe utilizar piezas de recambio idénticas. Esto garantizará que se mantenga la seguridad de la herramienta eléctrica. Intentar efectuar reparaciones o mantenimiento fuera del ámbito de este manual, o no llevar a cabo la inspección y limpieza recomendadas, puede suponer la anulación de la garantía.

Advertencias de seguridad de la desbrozadora

⚠ ADVERTENCIA: Mantenga las manos alejadas del hilo de corte. El contacto con el hilo de corte puede provocar lesiones graves.

- **Mantenga todas las partes del cuerpo alejadas del hilo de corte. No quite el material de corte ni sujete el material que se va a cortar cuando el hilo de corte esté en movimiento. Asegúrese de que el acelerador de velocidad variable esté apagado cuando extraiga el material atascado. El hilo de corte sigue avanzando tras el apagado.** Un momento de descuido mientras utiliza la desbrozadora puede producir lesiones graves.
- **Mantenga las protecciones en su sitio y en buenas condiciones de servicio.**

Batería y cargador

- **Use solo las baterías de la serie B de Oregon.**
- **Asegúrese de que el interruptor está en la posición de apagado antes de insertar la batería.** Insertar la batería en dispositivos con el interruptor en la posición de encendido puede provocar accidentes.
- **No cargue la batería bajo la lluvia o en sitios húmedos.**
- **Mantenga el cargador de la batería alejado de la lluvia o de la humedad.** La entrada de agua en el cargador de la batería aumenta el riesgo de electrocución.

- **Recargue solo con el cargador especificado por el fabricante (cargadores de la serie C de Oregon).** Un cargador que es adecuado para un tipo de batería podría crear un riesgo de incendio cuando se utiliza con otra batería diferente.
- **No tire la batería al fuego para desecharla. La celda podría explotar.** Consulte los códigos locales para comprobar si existen instrucciones especiales para su desecho.
- **No cargue otras baterías en el cargador.** El cargador de la batería solo es apto para cargar las baterías de ion-litio específicas y aprobadas por el fabricante dentro del rango de voltaje especificado. De lo contrario, existe el riesgo de incendio y de explosión.
- **Mantenga limpio el cargador de la batería. La contaminación del mismo puede provocar peligro de electrocución.**
- **Antes de cada uso, inspeccione el cargador de la batería, el cable y el enchufe. Si detecta daños, no use el cargador de la batería. Nunca abra usted mismo el cargador de la batería. Las reparaciones solo debe realizarlas un técnico cualificado, empleando solo repuestos originales.** Los cargadores de batería, cables y enchufes dañados aumentan el riesgo de electrocución.
- **No utilice el cargador de batería en superficies fácilmente inflamables (p. ej., papel, tela, etc.) ni cerca de ellas.** El calor desprendido por el cargador de la batería durante el proceso de carga puede provocar riesgo de incendio.
- **Utilice solo las baterías apropiadas diseñadas específicamente por el fabricante para la herramienta.** Use solo las baterías de la serie B de Oregon. La utilización de cualquier otra batería puede originar un riesgo de lesiones e incendio.
- Tenga cuidado al manejar las baterías para no cortocircuitarlas con materiales conductores como anillos, pulseras y llaves. La batería o el material conductor pueden sobrecalentarse y provocar quemaduras.
- **Si se opera en forma indebida, es posible que salga líquido de la batería; evite el contacto con él. Si se produce el contacto de manera accidental, échele agua. Si el líquido entra en contacto con los ojos, además busque ayuda médica.** El líquido que sale de la batería puede causar irritación o quemaduras.
- **No abra ni corte la batería.** El electrolito que puede desprender si lo hace es corrosivo y puede provocar la irritación de los ojos o de la piel. Puede ser tóxico si se ingiere.
- **Proteja la batería del calor, como por ejemplo de la luz solar continua intensa, del fuego, del agua y de la humedad. El no hacerlos puede aumentar el peligro de explosión.**
- **No cortocircuite la batería.** Existe riesgo de explosión.
- **En caso de daño o de uso inapropiado de la batería, se pueden emitir vapores. Ventile la zona y busque asistencia médica en caso necesario.** Los vapores pueden irritar el sistema respiratorio.
- Proteja la batería de la humedad y del agua.
- Guarde la batería solo entre 0° C y 40° C (32° F y 104° F). Como ejemplo, no deje la batería dentro del coche en verano.
- Ocasionalmente, limpie las ranuras de ventilación de la batería empleando un cepillo suave, limpio y seco.

Almacenamiento

- Guarde siempre el cuerpo de la motosierra y los accesorios en un lugar fresco y seco, alejado de la luz solar directa. Una exposición prolongada a la luz solar y a los rayos UV pueden degradar el plástico con el tiempo, y pueden provocar que se desprendan las protecciones.
- Ponga la tapa protectora en el tubo para evitar que la suciedad entre en el acoplador.

Transporte

- Las baterías contenidas de ion-litio están sujetas a los requisitos de la legislación sobre mercancías peligrosas. El usuario puede transportar las baterías por carretera sin ningún requisito extraordinario.
- Cuando se transporten por terceros (p. ej., en transporte aéreo o por una agencia de transportes), se deben cumplir los requisitos especiales de empaquetado y etiquetado. Para preparar el artículo para su envío, debe consultar con un experto en mercancías peligrosas.
- Despache las baterías solo si la carcasa está intacta.
- Ponga cinta aislante o aisle los contactos eléctricos y empaquete la batería de forma que no pueda moverse dentro del contenedor.
- Tenga en cuenta que también pueden existir normas nacionales más detalladas al respecto.

Eliminación

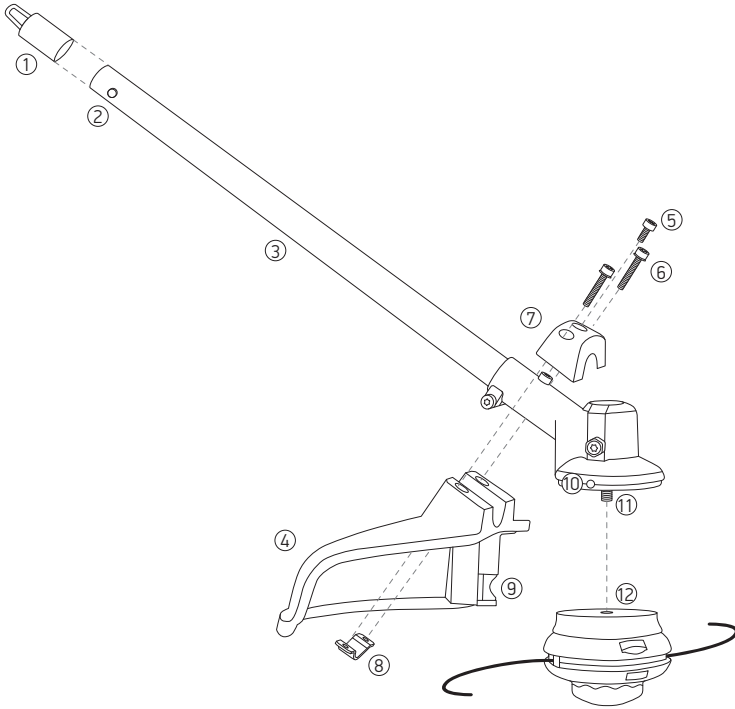
- No deseche productos de jardinería, cargadores de batería y baterías/baterías recargables en la basura doméstica.

Símbolos y etiquetas

Estos símbolos y etiquetas aparecen en la desbrozadora, la batería y el cargador.

SÍMBOLO	NOMBRE	EXPLICACIÓN
	Construcción de clase II	Herramientas de construcción designadas con doble aislamiento.
	Símbolo de alerta de seguridad	Indica que el texto siguiente explica un peligro, una advertencia o una precaución.
	Lea el manual de instrucciones	El manual de instrucciones original contiene información importante sobre la seguridad y el funcionamiento del dispositivo. Lea las instrucciones y sígalas atentamente.
	Tenga cuidado con los objetos extraños	Preste atención a los transeúntes para no causarles lesiones cuando la máquina tire objetos extraños fuera del camino.
	Zona de seguridad	Mantenga a los transeúntes alejados del dispositivo.
	No use cuchillas de corte	No instale cuchillas metálicas o de plástico.
	Utilice protección para los ojos	Utilice protección para los ojos cuando use este dispositivo.
	Utilice protección para los oídos	Utilice protección para los oídos cuando use este dispositivo.
	Utilice calzado de protección	Utilice botas de trabajo de puntera cerrada apropiadas cuando utilice este dispositivo.
	Utilice protección para las manos	Lleve guantes cuando utilice la máquina o toque las cuchillas detenidas.
	Utilice pantalones largos	Utilice pantalones largos cuando use este dispositivo.
	Nivel de sonido	El nivel de sonido es de 98 dB.
	No arrojar al fuego	No arrojar a las llamas.
	No desechar	No arrojar junto con los residuos domésticos. Llevar a un reciclador autorizado.
	No exponer a la lluvia	No utilice el cargador en ambientes húmedos.
	Uso en interiores únicamente	Para uso en interiores únicamente.
	Temperatura de uso	Utilice la batería solo entre 0 °C y 40 °C (entre 32 °F y 104 °F).
	Extracción de la batería	Extraiga la batería antes de realizar cualquier tarea de mantenimiento.

Identificación del producto



- | | | | |
|---|------------------------|---|---|
| ① | Cubierta de protección | ⑦ | Soporte de montaje |
| ② | Acoplador | ⑧ | Lengüeta de conexión |
| ③ | Tubo | ⑨ | Cuchilla de corte del hilo |
| ④ | Protector | ⑩ | Orificio de bloqueo del eje en el cubo de transmisión |
| ⑤ | Tornillo Torx | ⑪ | Eje roscado |
| ⑥ | Tornillos de fijación | ⑫ | Cabezal de corte |

Desembalaje y montaje

Desembalaje

CONTENIDO DE LA CAJA

La desbrozadora requiere un pequeño montaje antes de su uso. Estos elementos se incluyen con la desbrozadora:

- Accesorio de desbrozadora
- Protección con tornillos de fijación
- Lengüeta de conexión
- Manual de instrucciones original
- Llave Torx
- Pin de bloqueo

Cuando saque la desbrozadora de la caja, inspecciónela con atención para asegurarse de que no se han producido daños durante el envío y de que no falta ninguna pieza. Si faltara alguna pieza o hubiera alguna pieza dañada, no utilice la desbrozadora. Para obtener piezas de repuesto, póngase en contacto con Oregon® Cordless Tool System llamando al 888 313 8665 (EE. UU.) o con su proveedor local.

Montaje

⚠ ADVERTENCIA: Una herramienta que funciona con batería y tiene la batería insertada se puede poner en marcha de forma accidental. Retire la batería antes de llevar a cabo el montaje o mantenimiento.

CONEXIÓN DE LA PROTECCIÓN (FIG. A)

⚠ ADVERTENCIA: La línea de cuchilla de corte del deflector de césped está afilada. Evite el contacto con la cuchilla. En caso contrario, pueden producirse lesiones.

- Extraiga la batería.
- Extraiga los tornillos (1) de la protección (2).
- Inserte la lengüeta de conexión (3) del soporte de montaje en la ranura de la protección.
- Apriete firmemente los tornillos.

INSTALACIÓN DE UN ACCESORIO AL CUERPO DE MOTOSIERRA (FIG. B)

⚠ ADVERTENCIA: Lea y comprenda todo el manual de instrucciones original para el uso de cada accesorio opcional en este cuerpo de motosierra y siga todas las advertencias e instrucciones. No seguir todas las instrucciones puede provocar descargas eléctricas, incendios y/o lesiones graves.

⚠ ADVERTENCIA: Este cuerpo de motosierra está diseñado solo para su uso con los modelos de accesorios Oregon que se especifican en este manual de instrucciones original. El uso de otros accesorios puede provocar lesiones personales graves o daños a la propiedad.

Este cuerpo de motosierra debe usarse solo con los múltiples accesorios Oregon.

El accesorio se conecta al cuerpo de motosierra a través de un acoplador.

- Detenga el motor y retire la batería.
- Afloje la tuerca del acoplador en el tubo del cuerpo de motosierra y extraiga la tapa del extremo del accesorio.
- Pulse el botón que se encuentra en el eje para accesorios. Alinee el botón con el rebajo de guía del acoplador del cuerpo de motosierra y deslice el eje para accesorios dentro del cuerpo de motosierra. Gire el eje de accesorios hasta que el botón encaje en su sitio.

NOTA: Si este no encaja por completo en el orificio de fijación, los ejes no estarán correctamente colocados. Gírelo ligeramente de un lado a otro hasta que se bloquee el botón.

- Apriete bien la tuerca de ajuste.

⚠ ADVERTENCIA: Asegúrese de haber ajustado completamente el dispositivo antes de utilizar el equipo; compruebe de forma periódica el apriete durante el uso para evitar sufrir graves daños personales.

RETIRADA DEL ACCESORIO DEL CUERPO DE MOTOSIERRA

- Detenga el motor, extraiga la batería y active el bloqueo de transporte.
- Afloje la tuerca.
- Presione el botón y desmonte los ejes para separarlos.

EXTENSIÓN DEL CUERPO DE MOTOSIERRA (FIG. C)



⚠ ADVERTENCIA: No utilice la extensión con la desbrozadora.

No utilice cuchillas de plástico ni de metal con el accesorio de desbrozadora.

AJUSTE DEL ARNÉS (FIG. D)

- Coloque la cinta para hombro.
- Ajuste la longitud de la cinta. El mosquetón debe situarse a una distancia equivalente de una mano de ancho por debajo de la cadera derecha del operario.
- Suelte el arnés presionando hacia abajo la barra del mosquetón y saque el gancho del arnés del mosquetón.

Batería y cargador

⚠ ADVERTENCIA: Para reducir el riesgo de descarga eléctrica, no cargue la batería bajo la lluvia.

INDICADOR LED DE NIVEL DE CARGA DE BATERÍA

La batería lithium ion está equipada con un indicador LED de nivel de carga. Para comprobar el nivel de carga de la batería, presione el botón del indicador que se encuentra en la parte frontal de la batería.

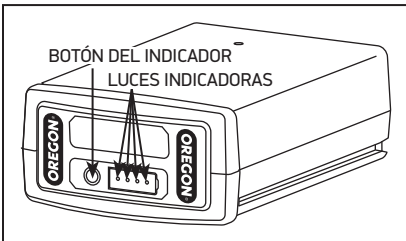
Sin luces: recargar.

Una luz verde fija:
menos del 25 % de carga.
Cargue la batería antes de usarla.

Dos luces verdes fijas:
entre el 26 % y el 50 % de carga.

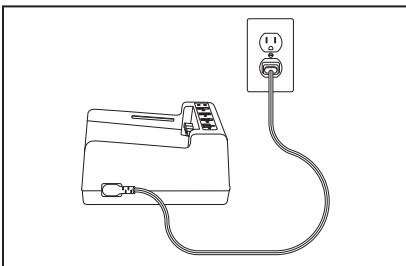
Tres luces verdes fijas:
entre el 51 % y el 75 % de carga.

Cuatro luces verdes fijas:
Entre el 76 % y el 100 % de carga.



CONEXIÓN DEL CARGADOR

Si el cargador incluye un cable de alimentación independiente, conecte el cable al cargador y enchúfelo en una toma de corriente adecuada.



Use solo el cable suministrado con el cargador. Al usarlo por primera vez, verifique que el tipo de enchufe es compatible con el receptáculo.

INDICADOR LED DEL ESTADO DE CARGA DEL CARGADOR

El cargador de la batería está equipado con un indicador LED del estado de carga que le muestra el estado de la carga, así como las condiciones que podrían retrasar o impedir la carga.

Nota: Hasta que se no inserte una batería, no se verá ninguna luz.

Diagrama de los indicadores LED del cargador con explicaciones:

- Luz naranja intermitente: hay algún fallo. Hay varias causas posibles. Consulte la sección "Resolución de problemas" de este manual.
- Luz naranja constante: la temperatura de la batería supera el rango aceptable (de 0° C/32° F a 40° C/104° F). Deje que la batería alcance el rango de temperatura aceptable antes de cargarla. Puede dejar la batería en el cargador mientras se ajusta la temperatura. El proceso de carga comenzará cuando se alcance la temperatura adecuada.
- Luz verde intermitente: la batería se está cargando.
- Luz verde fija: la batería está lista para usar.

CARGA DE LA BATERÍA

⚠ ADVERTENCIA: Si no se siguen los procedimientos de carga adecuados se puede provocar voltaje excesivo, flujo de corriente excesivo, pérdida de control durante la carga, filtración de productos químicos peligrosos, generación de calor, explosiones o fuego. Siga estas instrucciones de carga.

Con el cable del cargador conectado al cargador y enchufado en una toma de corriente, alinee las ranuras de la batería con los carriles del cargador y deslice la batería en el cargador hasta que esté completamente asentada.

Para obtener más información, consulte los manuales de la batería y el cargador.

Funcionamiento y mantenimiento

Funcionamiento general



⚠ ADVERTENCIA: Para reducir el riesgo de lesiones, utilice siempre botas, pantalón largo y protección para los ojos y los oídos.

⚠ ADVERTENCIA: Para reducir el riesgo de lesiones, no se estire más allá de su alcance y no se suba a una escalera, taburete ni cualquier otro lugar elevado que no esté totalmente asegurado.

⚠ PRECAUCIÓN: Antes de operar este equipo establezca una zona de seguridad de 15 m (50 pies) en torno al mismo. La zona de seguridad es un radio mínimo de 15 m (50 pies) en torno al operario en donde no debe haber transeúntes, niños ni mascotas.

Para obtener el mejor rendimiento y utilizar el cuerpo de motosierra y los elementos conectados forma segura, siga estas instrucciones.

Antes de utilizarlo, inspeccione el cuerpo de motosierra y los accesorios siguiendo las indicaciones de la sección "Mantenimiento".

Para obtener más instrucciones de uso y seguridad, consulte las instrucciones originales de seguridad proporcionadas con el accesorio. En caso contrario, podrían producirse lesiones.

TEMPERATURA DE USO

El cuerpo de motosierra y los accesorios han sido diseñados para funcionar a temperaturas de entre 0° C y 40° C (32° F y 104° F).

EQUILIBRIO

Ambos pies deben estar sobre suelo firme, con el peso distribuido de manera uniforme entre ellos.

Preste cuidado especial si sube o baja escalones y trabaje lentamente para mantener un buen apoyo. No corra nunca mientras esté utilizando el cuerpo de motosierra.

ACTIVACIÓN DEL BLOQUEO DE TRANSPORTE (FIG. E)

- Mueva el botón a la derecha para activar el bloqueo de transporte.
- Mueva el botón a la izquierda para desactivar el bloqueo de transporte cuando desee encender la herramienta.

DETENCIÓN DEL CUERPO DE MOTOSIERRA (FIG. F)

Suelte el acelerador de velocidad variable para detener el cuerpo de motosierra.

ARRANQUE DEL CUERPO DE MOTOSIERRA (FIG. G)

⚠ ADVERTENCIA: Para reducir el riesgo de lesión, no anule la función del bloqueo de acelerador atándolo, encintándolo o sujetándolo con un alambre.

- Desactive el bloqueo de transporte **(1)** moviendo el botón a la izquierda.
- Sujete el asa con la suficiente firmeza para que la palma de la mano presione el bloqueo del acelerador **(2)**.
- Para poner en marcha el cuerpo de motosierra, presione el acelerador de velocidad variable con los dedos **(3)**. Apriete el acelerador de velocidad variable con más firmeza si desea aumentar la velocidad y la fuerza del cuerpo de motosierra.

COLOCACIÓN Y EXTRACCIÓN DE LA BATERÍA (FIG. H)

Utilice solo las baterías de marca Oregon® especificadas en estas instrucciones de uso.

Alinee la ranura de la batería con los carriles que están dentro del puerto de batería. Introduzca con firmeza la batería en el puerto de batería del cuerpo de motosierra, y presione hacia adelante hasta que oiga el “clic” que indica que ya está encajada en su sitio.

Para retirar la batería, levante el desbloqueador de baterías, sujete los lados de la batería y retírela.

FUNCIONAMIENTO DE LA DESBROZADORA

⚠ ADVERTENCIA: Mantenga siempre la desbrozadora alejada de su cuerpo. Cualquier contacto con el cabezal de corte puede producir quemaduras u otras lesiones graves.

En caso de que se enrolen residuos alrededor del accesorio, suelte el acelerador de velocidad variable, extraiga la batería y retire los residuos.

El sistema de corte Gator® Speedload™ (GSL)

AVANCE DEL HILO DE CORTE

El disco del GSL dura más que los hilos de corte de las desbrozadoras comunes. No obstante el hilo de corte se desgasta con el tiempo. Avance el hilo golpeando el cabezal contra el suelo para que salga más hilo del disco.

Con el motor en funcionamiento y el cabezal de corte girando, golpee el cabezal de corte contra el suelo. Saldrá más hilo del disco y el exceso de hilo de corte se corta con la cuchilla de corte del hilo situada en la parte inferior de la protección.

Si no sale hilo de corte, es posible que el disco esté vacío. Apague la desbrozadora/bordeadora y sustituya el disco, tal y como se indica en la sección “Sustitución del disco GSL”.

APERTURA DEL CABEZAL GSL (FIG. I)

⚠ ADVERTENCIA: Las herramientas que funcionan con batería y tienen la batería introducida están siempre encendidas y pueden arrancar en forma accidental. Extraiga la batería de la desbrozadora antes de inspeccionarla, limpiarla o realizar el mantenimiento.

Si detecta un problema con el funcionamiento del sistema de corte GSL y necesita inspeccionar el disco o el cabezal, siga estos pasos para abrir el cabezal:

- Extraiga la batería y ponga la desbrozadora boca abajo.
- Presione el cabezal GSL para soltar la parte inferior de la base.

CIERRE DEL CABEZAL GSL (FIG. J)

- Inspeccione el disco y retire cualquier bloqueo que tenga o sustituya el disco. Consulte la sección “Sustitución del disco GSL”.
- Extraiga los residuos de vegetación, la suciedad y cualquier otro tipo de residuos.
- Vuelva a colocar el cabezal GSL en la base y presione con firmeza hasta que haga “clic” y se fije en su sitio.

SUSTITUCIÓN DEL DISCO GSL (FIG. K)

La desbrozadora está equipada con el innovador sistema de corte GSL. El cabezal GSL contiene un disco de hilo de cortar que viene enrollado y en un dispositivo autónomo. El disco del GSL dura más que los hilos de corte de las desbrozadoras comunes. Extraer y sustituir el disco es fácil.

- Tire del cabezal para sacarlo de la base. Tire del disco gastado y deséchelo **(1)**.
- Saque dos partes separadas de hilo de corte de los lados opuestos del disco. Asegúrese de que tire de cada parte para crear un pequeño hueco entre las partes de hilo de corte que ha sacado y el disco **(2)**.
- Coloque el disco dentro del cabezal alineando el orificio central del disco con el orificio en el centro del cabezal. Presione con firmeza para poner el disco en su sitio **(3)**.
- Asegúrese de que los extremos de las partes que ha sacado del hilo de corte se ajustan a través de los dos juegos de tacos del cabezal **(4)**.
- Vuelva a colocar el cabezal GSL en la base y presione con firmeza hasta que haga "clic" y se fije en su sitio.

El innovador disco de machihembrado elimina la necesidad de enrollar el hilo de corte. Los discos duran más que los hilos de corte tradicionales.

EXTRACCIÓN Y SUSTITUCIÓN DEL CABEZAL GSL (FIG. L)

Si el GSL tiene grietas o está roto, se debe desmontar y sustituir por uno nuevo. Si hay acumulación de restos de vegetación o residuos entre el cabezal de corte y la protección, es más sencillo limpiar la desbrozadora si primero extrae el cabezal.

- Extraiga la batería y ponga la desbrozadora boca abajo.
- Siga las instrucciones de la sección "Apertura del cabezal GSL".
- Utilice un destornillador plano para frenar el huso y girar la base de la desbrozadora en el sentido contrario a las agujas del reloj para aflojar la tuerca central **(1)**.
- Tire para sacar la base del GSL.
- Extraiga el protector de atascos de césped del cabezal de corte **(2)**.
- Inserte el nuevo protector.
- Para conectar un nuevo cabezal GSL, deslice la tuerca en la apertura central del cabezal GSL **(3)**.
- Coloque el cabezal del GSL dentro de la carcasa de la desbrozadora.
- Apriete firmemente la tuerca **(4)**.

- Siga las instrucciones de la sección "Sustitución del disco GSL" para instalar un nuevo disco de hilo de cortar en la desbrozadora.
- Cierre el cabezal.

AFILADO DE LA CUCHILLA DE CORTE (FIG. M)

Se recomienda que el afilado de la cuchilla de corte sea realizado por un proveedor de servicios de Oregon®, pero también puede ser llevado a cabo por el operario.

El afilado de la cuchilla de corte se debe realizar sobre una superficie plana.

Tras coger la lima, lleve guantes y protección para los ojos y extraiga la batería.

- Ponga la desbrozadora de lado con la cuchilla de corte hacia arriba y apuntando a la parte inferior del cabezal de corte.
- Coloque la lima contra el lado de corte de la cuchilla **(1)**.
- Lime hacia abajo y hacia la derecha, retirando el material de la cuchilla **(2)**.
- Repita hasta que la cuchilla esté afilada.

ELIMINACIÓN DEL CÉSPED ATASCADO

⚠ PRECAUCIÓN: Las herramientas que funcionan con batería y tienen la batería introducida están siempre encendidas y pueden arrancar en forma accidental. Quite siempre la batería antes de extraer el césped para evitar que el cabezal de corte se active accidentalmente.

En ocasiones, determinados tipos y longitudes de césped pueden quedar atrapados entre el cabezal de corte y el huso. Cuando esto ocurre, el césped se enrolla rápidamente alrededor del eje, con lo que se atasca el espacio entre el eje y el cabezal de corte, y se ralentiza o se detiene la rotación del cabezal de corte. Este estado se conoce como atasco de césped. La desbrozadora está equipada con una protección frente a los atascos de césped en forma de cubierta entre el cabezal de corte y el huso para ayudar a minimizarlos, pero aún así, pueden producirse.

Para corregir un atasco de césped:

- Saque la batería.
- Extraiga el cabezal de corte.
- Limpie el césped y las malas hierbas del huso. Si fuera necesario, corte el césped o la mala hierba para liberarlos.
- Una vez despejado el huso, sustituya el cabezal de corte.

Mantenimiento

⚠️ ADVERTENCIA: Una herramienta que funciona con batería y tiene la batería insertada se puede poner en marcha de forma accidental. Retire la batería antes e inspeccionar, limpiar o realizar el mantenimiento del aparato.

⚠️ PRECAUCIÓN: Inspeccione regularmente el hilo de corte. La inspección regular es el primer paso para un mantenimiento adecuado. Siga las pautas que figuran a continuación para que su seguridad y satisfacción sean lo mayor posibles. Si identifica alguna pieza dañada o desgastada en forma excesiva, sustitúyala de inmediato.

⚠️ PRECAUCIÓN: Cuando limpie la desbrozadora, no la sumerja en agua ni en otro tipo de líquido. No utilice limpiadores a presión para limpiar la desbrozadora.

Inspección

Antes de cada uso, y si la desbrozadora se ha caído al suelo, inspeccione estas piezas:

CABEZAL DE CORTE

- Asegúrese de que el cabezal de corte no tenga grietas ni otros daños. En caso de que esté dañado, sustitúyalo. Si el cabezal de corte se rompe mientras se usa, se pueden producir lesiones graves.
- Compruebe si el cabezal de corte gira sin obstáculos y si el hilo de corte avanza. Si el cabezal de corte está obstaculizado y no gira correctamente, consulte la sección “Eliminación del césped atascado”.
- Si el hilo de corte se atasca o se enreda, abra el cabezal GSL e inspeccione el disco. Sustituya o reinstale el disco, según sea necesario.
- Inspeccione el protector de atascos para asegurarse de que no tiene grietas, roturas ni está suelto. En caso de que esté dañado, sustitúyalo.
- Inspeccione el estado de la protección con regularidad y cámbiela si está dañada.

CUERPO DE MOTOSIERRA

- El asa no debe tener grietas ni ningún otro tipo de desperfecto. Debe estar limpia, seca y sin aceite, humedad o cualquier otra cosa que dificulte un agarre firme.
- Estos orificios deben estar limpios y no tener residuos.
- La batería debe estar limpia, seca y sin signos de perforación, impacto ni otro tipo de daño. Los contactos deben estar limpios, secos y no tener desechos.

- El puerto de batería y los contactos deben estar limpios, secos y no tener desechos.
- El acelerador de velocidad variable debe funcionar perfectamente y acelerar la velocidad del cuerpo de motosierra según se va incrementando la presión.
- El acelerador de velocidad variable debe evitar que el motor se ponga en marcha cuando este no está pulsado.
- Los tornillos deben estar bien apretados y sujetar cada componente en su sitio.

Limpieza

⚠️ PRECAUCIÓN: Cuando limpie el cuerpo de motosierra y sus accesorios, no los sumerja en agua ni en otros líquidos. No utilice limpiadores de agua a presión para limpiar el cuerpo de motosierra y sus accesorios.

- Saque la batería.
- Elimine toda la suciedad de la rejilla de entrada para asegurarse de que el aire fluya sin problemas.
- Retire toda la suciedad del puerto de batería y limpie los contactos.
- Quite el polvo y los restos de hierba cortada de la desbrozadora.

BATERÍA

IMPORTANTE: dentro de la batería no hay piezas cuyo mantenimiento pueda realizar el usuario. No la desarme.

Las baterías de ion-litio tienen una vida útil predeterminada. Si detecta que el tiempo de uso entre recargas es cada vez más corto en circunstancias de uso normales, significa que la batería está al final de su vida útil y debe reemplazarla.

- Asegúrese de que la batería y sus contactos estén limpios y secos, y sin signos de perforación, impacto ni ningún otro tipo de daño. Las baterías rotas pueden causar incendios o permitir la fuga de productos químicos peligrosos.
- Limpie los contactos sucios con un paño suave y seco. La suciedad o el aceite pueden provocar una conexión eléctrica deficiente que genere una pérdida de potencia.
- Cuando sea posible, guarde la batería con toda la carga en un cargador.

CARGADOR

IMPORTANTE: En el interior del cargador no hay piezas cuyo mantenimiento pueda realizar el usuario. No la desarme.

- Desconecte el cargador del enchufe.
- Limpie los contactos sucios con un paño suave y seco.

Resolución de problemas

Utilice esta tabla para ver soluciones para posibles problemas de la desbrozadora. Si estas sugerencias no solucionan el problema, consulte "Información sobre servicio y asistencia técnica".

SÍNTOMA	POSIBLE CAUSA	MEDIDAS RECOMENDADAS
La podadora/ bordeadora no corta bien	Césped enredado entre el eje y el cabezal de corte	Consulte la sección "Eliminación del césped atascado"
	Disco GSL vacío,	Consulte la sección "Sustitución del disco GSL".
Hilo de corte no sale hilo	Disco GSL vacío,	Consulte la sección "Sustitución del disco GSL".
	Hilo de corte enredado	Extraiga el disco GSL. Consulte la sección "Sustitución del disco GSL".
El hilo de corte se desgasta rápidamente	Velocidad de corte mayor de la necesaria	Aplique menos presión al acelerador de velocidad variable.
	La técnica de corte no es la adecuada.	Evite forzar el cabezal de corte contra superficies duras. Mueva lentamente el cabezal de corte hasta que el borde del hilo de corte contacte con el césped o la mala hierba.
La desbrozadora/ bordeadora vibra excesivamente cuando se usa	Cabezal del GSL dañado	Consulte la sección "El sistema de corte Gator® Speedload™ (GSL)".
	El cabezal GSL no está fijado adecuadamente	Extraiga el cabezal GSL y vuelva a colocarlo asegurándose de que la tuerca esté correctamente fijada. Consulte la sección "El sistema de corte Gator® Speedload™ (GSL)".
	La cuchilla de corte del hilo no está afilada	Consulte la sección "Afilado de la cuchilla de corte".
El extremo del hilo de corte está raído, irregular o no está bien cortado	La cuchilla de corte del hilo no está afilada	Consulte la sección "Afilado de la cuchilla de corte".

Especificaciones y componentes

⚠ ADVERTENCIA: Usar piezas de repuesto distintas a las especificadas en este manual de instrucciones aumenta el riesgo de lesiones. No utilice nunca accesorios distintos a los descritos en este manual.

COMPONENTES DE REPUESTO		NÚMERO DE PIEZA
Batería, modelo B425E		545938
Batería, modelo B600E		548208
Batería, modelo B650E		545937
Cargador con cable, modelo C600		540580
Cargador con cable, modelo C650		594076
Cargador con cable, modelo C750		548185
CARGADOR, MODELO C600		
Entrada	100-240 V~ 50-60 Hz 60 W	
Entrada (solo EE. UU. y Canadá)	120V~ 60Hz 60W	
Salida	41,5 V=== 1,25 A	
Cable de alimentación	US/CAN P/N: 546636 UE P/N: 547383 UK P/N: 547384 AU/NZ P/N: 560663	
CARGADOR, MODELO C650		
Entrada	100-240 V~ 50-60 Hz 60 W	
Entrada (solo EE. UU. y Canadá)	120V~ 60Hz 60W	
Salida	41,5 V=== 1,8 A	
Cable de alimentación	US/CAN P/N: 546636 UE P/N: 547383 UK P/N: 547384 AU/NZ P/N: 560663	
CARGADOR, MODELO C750		
Entrada	100-240 V~ 50-60 Hz 260 W	
Entrada (solo EE. UU. y Canadá)	120 V~ 60 Hz 260 W	
Salida	41 V=== 4,6 A	
Cable de alimentación	US/CAN P/N: 585068 UE P/N: 585069 UK P/N: 585070 AU/NZ P/N: 585073	
BATERÍA		
Tipo	Ion-litio	
Temperaturas de uso	De 0° C a 40° C (de 32° F a 104° F)	
Modelo	Capacidad nominal	Voltaje nominal
B425E	2,6 Ah / 94 Wh	+36 V CC
B600E	4,0 Ah / 144 Wh	+36 V CC
B650E	6,0 Ah / 216 Wh	+36 V CC
DESBROZADORA		
Diámetro de corte	36 cm (14 pulg.)	
Calibre del hilo	2 mm (0,080 pulg.) Gator® SpeedLoad™	
Peso	3,7 kg (1,6 lb)	

Garantía y servicio

Garantía

Blount, Inc. garantiza todas las herramientas de batería y cargadores Oregon® durante un periodo de tres (3) años y todos los paquetes de baterías sin cable Oregon® durante dos (2) años desde la fecha de compra. Las herramientas de batería, los paquetes de baterías y los cargadores Oregon® están garantizados durante dos (2) años si se usan con fines comerciales. Esta garantía limitada se aplica a los productos fabricados por Oregon® Cordless Tool System. Durante el período de la garantía, Blount reemplazará o, a su discreción, reparará sin cargo alguno cualquier producto o pieza que Blount considere defectuosos en materiales y/o la mano de obra al examinarlos, solo para el comprador original. El comprador deberá pagar todos los cargos de transporte y cualquier costo de retirar alguna pieza que deba sustituir en virtud de esta garantía.

Para registrar su producto, visite el apartado "Soporte" de **OregonCordless.com**.

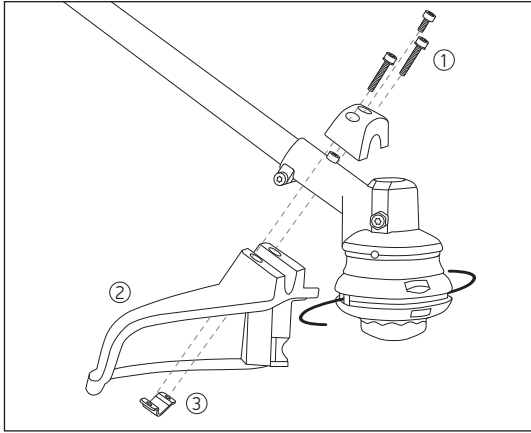
Información sobre servicio técnico y asistencia

Visítenos en Internet, en **OregonCordless.com**, para obtener información sobre los centros de reparación o póngase en contacto con nuestro departamento de atención al cliente llamando al 888.313.8665 para recibir asistencia o asesoramiento técnico adicional, y solicitar reparaciones o piezas de repuesto.

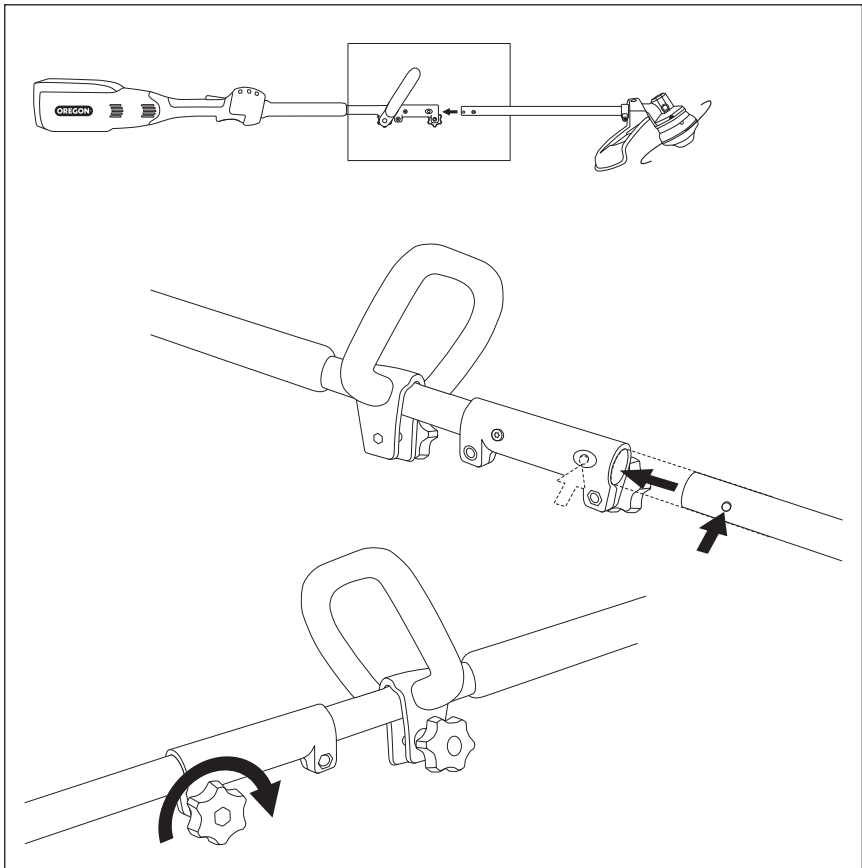
Por seguridad, solo utilice piezas de repuesto originales de fábrica en la herramienta eléctrica. Nuestro centro de reparación cuenta con personal capacitado para proporcionar soporte y asistencia adicional de forma efectiva para el ajuste, la reparación o la sustitución de todos los productos Oregon® Cordless Tool System.

Figuras

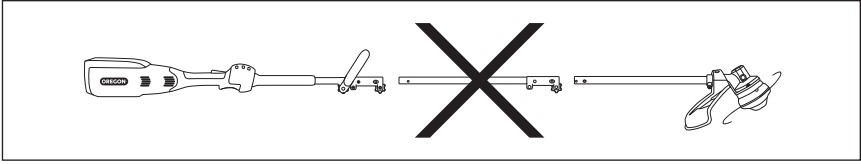
A



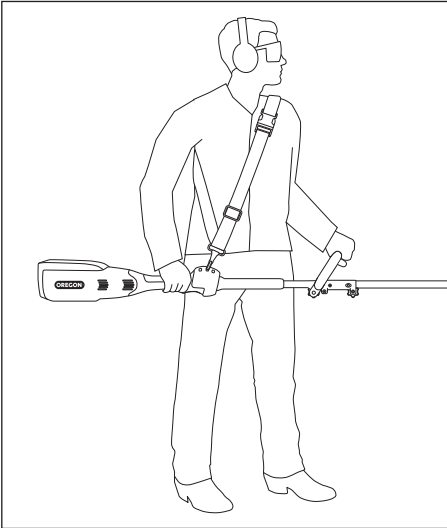
B



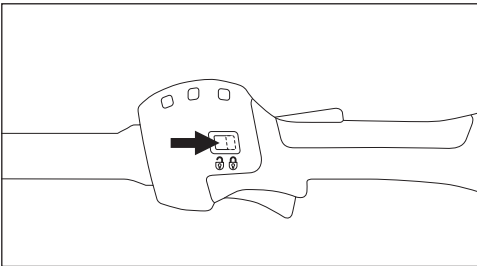
C



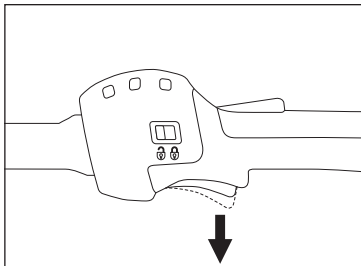
D



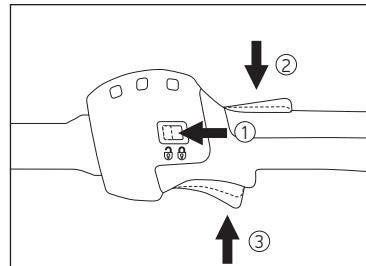
E



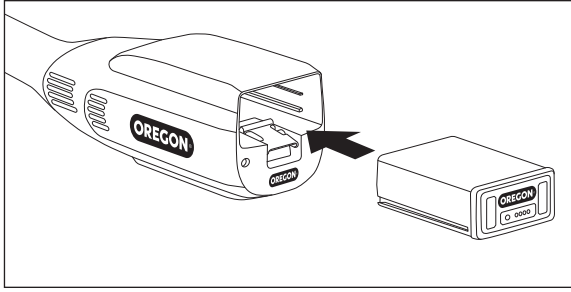
F



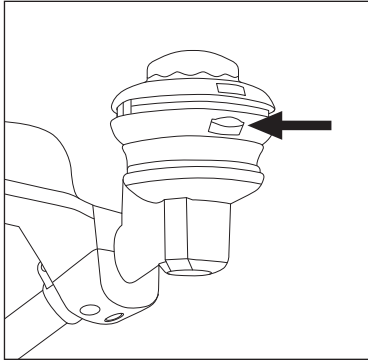
G



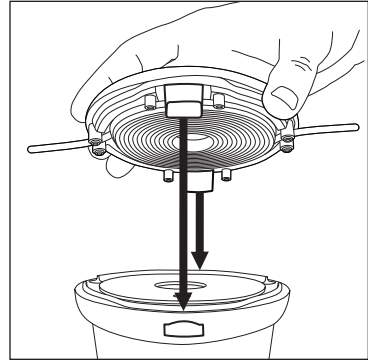
H



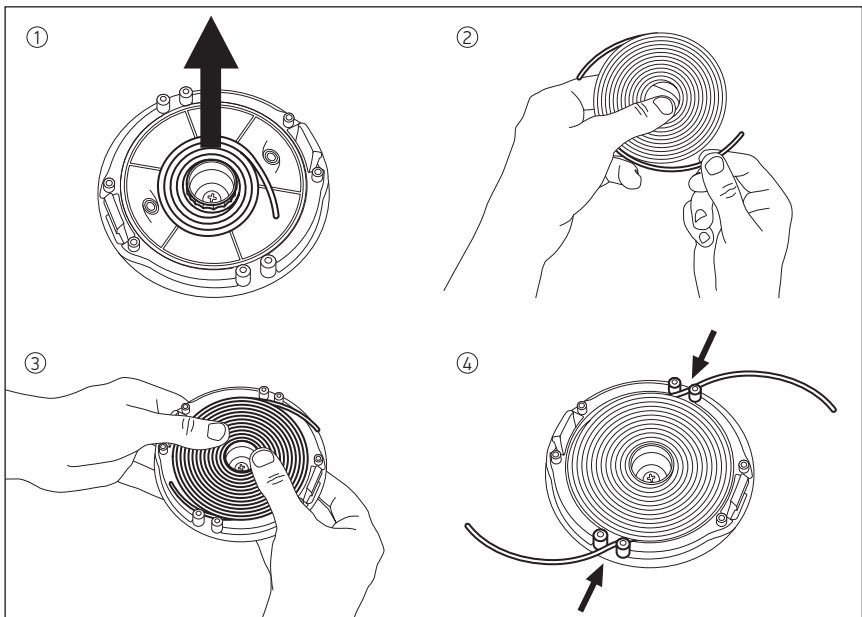
I



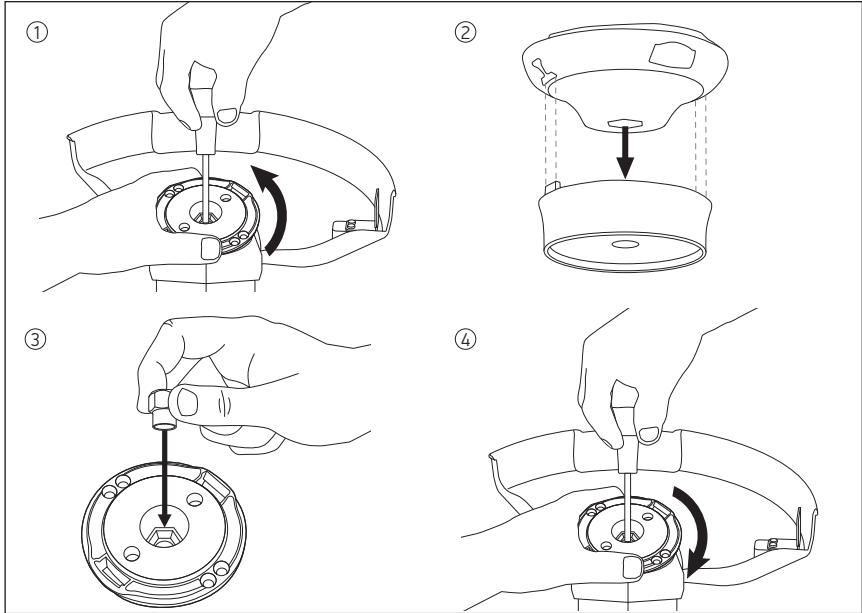
J



K



L



H

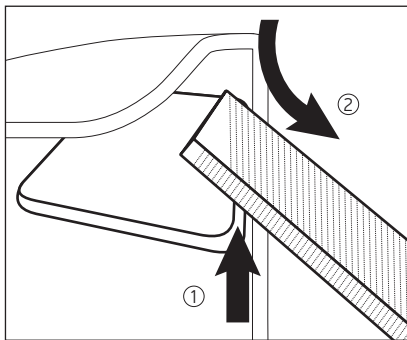




Table of Contents



Instruções importantes de segurança	71
Definições dos sinais de segurança.	71
Advertências gerais de segurança para ferramentas eléctricas	71
Segurança na área de trabalho	72
Segurança eléctrica.	72
Segurança pessoal	72
Utilização e cuidados a ter com a ferramenta eléctrica	72
Utilização e cuidados a ter com a ferramenta alimentada a bateria	73
Assistência	73
Advertências de segurança do podador de fio	73
Bateria e carregador.	73
Armazenamento	74
Transporte	74
Eliminação	74
Símbolos e rótulos	75
Identificação do produto.	76
Desembalagem e montagem.	77
Bateria e carregador	79
Operação e manutenção.	80
Utilização geral.	80
O sistema de corte Gator® Speedload™ (GSL).	81
Manutenção.	83
Inspeção	83
Limpeza	83
Resolução de problemas	84
Especificações e componentes.	85
Garantia e serviço.	86
Figuras	87

Instruções importantes de segurança

Introdução

Esta cabeça motorizada multiacessórios foi concebida para uso com a série B de baterias Oregon® e acessórios especificados para o propósito geral de manutenção da relva e jardins domésticos. Cada acessório Oregon® está concebido para uma tarefa específica. Outros usos podem resultar em ferimentos. Leia e siga todas as instruções para minimizar o risco e maximizar a satisfação.

Definições dos sinais de segurança

SÍMBOLO	SINAL	SIGNIFICADO
	ADVERTÊNCIA	Indica um risco potencial que pode resultar em ferimentos graves.
	CUIDADO	Indica um risco potencial que poderia danificar seriamente a ferramenta ou causar lesão menor a moderada.
	IMPORTANTE	Após esta instrução irá aumentar a sua satisfação com a ferramenta.

Advertências gerais de segurança para ferramentas eléctricas

Sempre que usar equipamentos eléctricos, deve tomar algumas precauções básicas, incluindo as seguintes:

⚠ ADVERTÊNCIA: Leia e compreenda todas as advertências de segurança e instruções. O incumprimento das advertências e instruções pode resultar em choque eléctrico, incêndio e/ou lesões graves.

⚠ ADVERTÊNCIA: Esta ferramenta eléctrica não se destina a ser usada por pessoas (incluindo crianças) com capacidades físicas, sensoriais ou mentais reduzidas ou com falta de experiência e conhecimento da mesma, a menos que estejam sob a vigilância de alguém ou instruídos por alguém responsável pela sua segurança. Este aparelho não é um brinquedo e as crianças devem ser sempre vigiadas para assegurar que não brincam com ele.

Guardar todas as advertências e instruções para consulta futura.



Segurança na área de trabalho

- **Mantenha a área limpa e bem iluminada.** Áreas escuras ou mal iluminadas convidam a acidentes.
- **Não trabalhe com ferramentas eléctricas em atmosferas passíveis de explosão, como na presença de líquidos inflamáveis, gases ou poeiras.** As ferramentas eléctricas criam faíscas que podem incendiar o pó ou os gases.
- **Mantenha as crianças e eventuais espectadores afastados enquanto estiver a trabalhar com a ferramenta eléctrica.** As distrações podem levar a que perca o controlo.

Segurança eléctrica

- **As fichas do carregador devem ser compatíveis com a tomada. Nunca modificar a ficha de forma alguma.** As fichas eléctricas originais e tomadas respectivas reduzirão o risco de choque eléctrico.
- **Não exponha o carregador à chuva ou à humidade.** Se entrar água no carregador, aumenta o risco de choque eléctrico.
- **Não carregue ao ar livre.**
- **Não force o cabo. Nunca utilizar o cabo para transportar, puxar ou desligar o carregador da tomada. Mantenha o cabo afastado do calor, óleo, arestas afiadas ou peças móveis.** Cabos danificados ou emaranhados aumentam o risco de choque eléctrico.
- **Não use com um cabo ou ficha danificados.** Se o carregador da bateria não estiver a funcionar como deveria, se tiver caído, sido danificado, deixado ao ar livre, ou caído na água, devolva-o a um centro de serviço.

Segurança pessoal

- **Fique alerta, observe o que está a fazer e use de bom senso sempre que tiver nas mãos uma ferramenta eléctrica. Não use a ferramenta eléctrica se estiver cansado ou sob a influência de drogas, álcool ou fármacos.** Um momento de distração pode causar lesões pessoais muito graves. Mantenha a postura de trabalho correta, pés firmes e equilíbrio durante a operação. Reduza a fadiga variando a posição de trabalho ou com períodos de descanso.
- **Utilizar equipamento de protecção pessoal. Usar sempre óculos de protecção.** Os equipamentos de protecção individual, como máscaras respiratórias, calçado de segurança, capacete, auriculares e outros, diminuirão o risco de lesões.

- **Evitar o arranque acidental. Garanta que o interruptor está desligado antes de ligar a bateria, de pegar na ferramenta ou de transportá-la.** Transportar ferramentas eléctricas com o dedo no interruptor ou ligar ferramentas eléctricas que tenham o interruptor ligado facilita a ocorrência de acidentes.
- **Retire qualquer chave de ajuste ou outra antes de ligar a ferramenta eléctrica.** Uma chave deixada ligada a uma parte rotativa da ferramenta eléctrica pode resultar em ferimentos.
- **Não se deve inclinar em demasia. Deve manter-se sempre bem equilibrado e apoiado.** Controlará assim melhor a ferramenta eléctrica se surgir uma situação qualquer inesperada.
- **Usar vestuário adequado. Não usar vestuário largo ou objetos de adorno pessoal. Mantenha o cabelo, roupa e luvas afastados de peças móveis.** A roupa larga, objetos de adorno ou cabelo comprido podem ficar presos nas peças móveis.

Utilização e cuidados a ter com a ferramenta eléctrica

- **Não force a ferramenta eléctrica. Use a ferramenta eléctrica certa para o trabalho certo.** A ferramenta certa fará um trabalho melhor e mais seguro à taxa de funcionamento para que foi concebida.
- **Não use a ferramenta eléctrica se o acionador de velocidade variável não a ligar nem desligar.** Qualquer ferramenta eléctrica que não possa ser controlada com o interruptor é perigosa e deve ser reparada.
- **Desligue a bateria da ferramenta eléctrica antes de proceder a ajustes, mudar de acessórios ou guardar a ferramenta eléctrica.** Essas medidas de segurança preventiva diminuem o risco de, por acaso e sem querer, arrancar com a máquina.
- **Armazene aparelhos desligados em espaços interiores. Quando não estiverem em uso, os aparelhos devem ser armazenados dentro de casa num local seco e alto ou trancado fora do alcance das crianças. Não deixe que as pessoas que não estão familiarizadas com as ferramentas eléctricas ou que desconheçam estas instruções operem a ferramenta eléctrica.** As ferramentas eléctricas são perigosas nas mãos de pessoas que não sabem trabalhar com elas.

- **Manutenção de ferramentas eléctricas.** Verifique se há desalinhamento ou má ligação de peças móveis, se há quebras de peças ou quaisquer outras situações que possam afetar o funcionamento da ferramenta eléctrica. Se alguma peça estiver danificada, mande reparar a máquina antes de usá-la novamente. Consulte “Inspeção” neste manual. Muitos acidentes são provocados por falta de manutenção das ferramentas eléctricas.
- **Mantenha as ferramentas de corte afiadas e limpas.** Ferramentas de corte em bom estado com gumes afiados têm uma menor probabilidade de dobrar e são mais fáceis de controlar.
- **Use a ferramenta eléctrica, acessórios e outras peças de acordo com estas instruções, tendo em conta as condições de trabalho e o trabalho a ser feito.** O uso da ferramenta eléctrica para outras operações que não sejam as destinadas originalmente podem causar situações de perigo graves.

Utilização e cuidados a ter com a ferramenta alimentada a bateria

- **Recarregar apenas com o carregador especificado pela Oregon®.** Um carregador que seja adequado para um tipo de bateria pode representar um perigo de incêndio se utilizado com outra bateria.
- **Utilizar ferramentas eléctricas apenas com baterias especificamente designadas.** A utilização de quaisquer outras baterias pode representar um risco de ferimentos e incêndio.
- **Quando a bateria não estiver a ser utilizada, deve mantê-la afastado de outros objetos metálicos, tais como cliques de papel, moedas, chaves, pregos, parafusos ou outros objetos pequenos de metal, que possam estabelecer ligação entre um terminal e o outro.** A ligação em curto-circuito entre os terminais da bateria pode provocar queimaduras ou um incêndio.
- **Em condições abusivas, o líquido pode ser ejectado da bateria; evitar o contacto. Em caso de contacto accidental, lavar com água. Em caso de contacto do líquido com os olhos, procurar assistência médica.** O líquido proveniente da bateria pode provocar irritação ou queimaduras.

Assistência

Providencie a assistência técnica à ferramenta técnica num técnico especializado e substitua apenas por peças idênticas de origem. Garantirá assim a sua segurança e a do equipamento. A tentativa de executar o serviço ou manutenção fora do âmbito deste manual ou a não realização da inspeção e limpeza recomendadas pode resultar em rejeição de reclamações ao abrigo da garantia.

Advertências de segurança do podador de fio

⚠ ADVERTÊNCIA: Mantenha as mãos longe do fio podador. O contacto com o fio podador pode provocar ferimentos graves.

- **Todas as partes do corpo devem estar afastadas do fio podador. Não retire material cortado nem segure o material que irá ser cortado quando o fio podador estiver em movimento. Certifique-se de que o acionador de velocidade variável está desligado quando remover material encravado. O fio podador continua em movimento depois de se desligar.** Um momento de distração ao utilizar o aparelho pode resultar em ferimentos graves.
- **Mantenha as proteções colocadas e em funcionamento.**

Bateria e carregador

- **Use apenas as baterias da série B da Oregon.**
- **Verifique se o interruptor está na posição de desligado antes de inserir a bateria.** Inserir a bateria em máquinas que tenham o interruptor ligado provoca acidentes.
- **Não carregue a bateria à chuva ou em locais molhados.**
- **Mantenha o carregador da bateria longe da chuva ou humidade.** A penetração de água no carregador da bateria aumenta o risco de um choque eléctrico.
- **Recarregar apenas com o carregador especificado pela Oregon®.** Um carregador que seja adequado para um tipo de bateria pode representar um perigo de incêndio se utilizado com outra bateria.
- **Não elimine a bateria no fogo. A bateria pode explodir.** Verifique as normas locais quanto a possíveis instruções especiais de eliminação.

- **Não carregue outras baterias no carregador.**

O carregador de bateria é adequado para carregar apenas baterias de íões de lítio específicas e aprovadas pelo fabricante, dentro do intervalo de tensão indicado. Caso contrário, existe perigo de incêndio e explosão.

- **Mantenha o carregador da bateria limpo. A contaminação pode levar a risco de choque elétrico.**

- **Antes de cada uso, verifique o carregador de bateria, o cabo e a ficha. Se detetar danos, não use o carregador de bateria. Nunca abra o carregador de bateria. Solicite as reparações apenas a um técnico qualificado e usando apenas peças de reposição originais.** Os carregadores de bateria, cabos e fichas danificados aumentam o risco de um choque elétrico.

- **Não opere o carregador de bateria em superfícies facilmente inflamáveis (por exemplo, papel, têxteis, etc.) ou perto destas.** O aquecimento do carregador de bateria durante o processo de carregamento pode apresentar um risco de incêndio.

- **Use apenas baterias adequadas destinadas especificamente pelo fabricante para a máquina.** Use apenas as baterias da série B da Oregon. A utilização de quaisquer outras baterias pode representar um risco de ferimentos e incêndio.

- Tenha cuidado ao manusear baterias para não as colocar em curto-circuito com materiais condutores, como anéis, pulseiras e chaves. A bateria ou o condutor podem sobreaquecer e provocar queimaduras.

- **Em condições abusivas, o líquido pode ser ejectado da bateria; evitar o contacto. Em caso de contacto accidental, lavar com água. Em caso de contacto do líquido com os olhos, procurar assistência médica.** O líquido proveniente da bateria pode provocar irritações ou queimaduras.

- **Não abra nem danifique a bateria.** O eletrólito libertado é corrosivo e pode causar ferimentos nos olhos ou na pele. Pode ser tóxico se ingerido.

- **Proteja a bateria contra o calor, por exemplo, contra a luz solar intensa contínua, fogo, água e humidade. Se não o fizer, pode aumentar o risco de explosão.**

- **Não coloque a bateria em curto-circuito.** Há perigo de explosão.

- **Em caso de danos e de utilização indevida da bateria, podem ser emitidos vapores. Ventile a área e procure ajuda médica em caso de queixas.** Os vapores podem irritar o sistema respiratório.

- Proteja a bateria contra a humidade e a água.

- Armazene a bateria apenas num intervalo de temperaturas entre 0 °C e 40 °C (32 °F e 104 °F). Por exemplo, não deixar a bateria no carro no verão.

- Ocasionalmente, limpe as ranhuras de ventilação da bateria usando uma escova macia, limpa e seca.

Armazenamento

- Armazene sempre a cabeça motorizada e acessórios num local fresco, seco e longe da luz solar direta. A exposição prolongada ao sol e aos raios UV pode degradar o plástico ao longo do tempo, podendo causar a deterioração das proteções.

- Encaixe a tampa de proteção sobre o tubo de acionamento, para evitar que a sujidade entre no acoplador.

Transporte

- As baterias de íões de lítio incluídas estão sujeitas à legislação sobre substâncias perigosas. O utilizador pode transportar as baterias por estrada sem requisitos adicionais.

- Quando transportadas por terceiros (por exemplo, transporte aéreo ou transitários), devem ser observados os requisitos especiais de embalagem e etiquetagem. Para a preparação do artigo a ser expedido, é necessário consultar um especialista em materiais perigosos.

- Apenas faça a expedição de baterias se o revestimento não estiver danificado.

- Isole com fita ou cubra os contactos expostos e arrume a bateria de forma que esta não se possa mover na embalagem.

- Cumpra também os regulamentos nacionais, possivelmente mais detalhados.

Eliminação

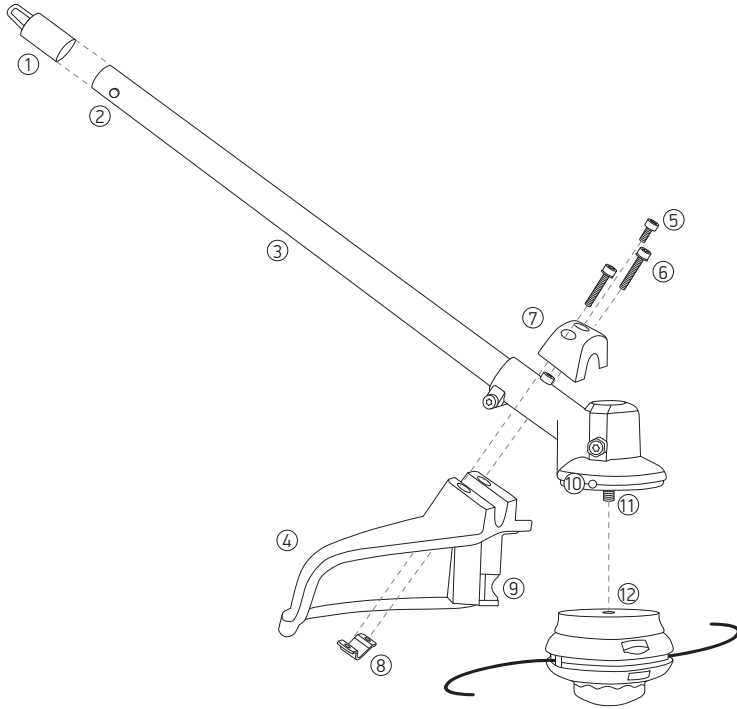
- Não elimine produtos de jardim, carregadores de bateria e baterias/baterias recarregáveis no lixo doméstico.

Símbolos e rótulos

Estes símbolos e rótulos aparecem no podador de fio, na bateria e no carregador.

SÍMBOLO	NOME	EXPLICAÇÃO
	Construção Classe II	Ferramentas de construção de isolamento duplo.
	Símbolo de alerta de segurança	Indica que o texto seguinte explica um perigo, uma advertência ou um aviso.
	Leia o manual de instruções	O manual de instruções original contém importantes informações de segurança e utilização. Leia e siga as instruções cuidadosamente.
	Cuidado com objetos estranhos	Preste atenção para que os espectadores não sejam feridos por objetos estranhos lançados da máquina.
	Segurança do espectador	Mantenha os espectadores a uma distância segura da máquina.
	Sem lâmina de corte	Não instale lâminas de corte metálicas ou plásticas.
	Usar óculos de proteção	Quando utilizar a máquina, use óculos de proteção.
	Use proteções auriculares	Quando utilizar a máquina, use proteções auriculares.
	Use calçado de proteção	Use botas com biqueira de aço adequadas sempre que utilizar a máquina.
	Use proteção para as mãos	Use luvas ao operar a máquina ou tocar nas lâminas paradas.
	Use calças compridas	Use calças compridas ao operar a máquina.
	Potência sonora	O nível de potência sonora é de 98 dB.
	Não incinere	Não eliminar nas chamas.
	Não elimine	Não eliminar junto com o lixo doméstico. Leve para um centro de reciclagem autorizado.
	Não exponha à chuva	Não utilizar o carregador em condições de humidade.
	Para utilização exclusiva em espaços interiores	Apenas para uso em interiores.
	Temperatura de utilização	Utilize apenas a bateria a uma temperatura entre 0 °C e 40 °C (32 °F e 104 °F).
	Retire a bateria	Retire a bateria antes de realizar qualquer manutenção.

Identificação do produto



- | | | | |
|---|----------------------|---|---|
| ① | Capa de proteção | ⑦ | Suporte de montagem |
| ② | Acoplador | ⑧ | Aba de fixação |
| ③ | Tubo difusor | ⑨ | Lâmina da corda de corte |
| ④ | Protecção | ⑩ | Orifício para o veio no bloco do eixo de movimento auxiliar |
| ⑤ | Parafuso Torx | ⑪ | Eixo roscado |
| ⑥ | Parafusos de fixação | ⑫ | Cabeça do podador |

Desembalagem e montagem

Desembalagem

O QUE ESTÁ NA CAIXA?

O podador de fio requer alguma montagem antes de se utilizar. São estes os itens que acompanham o podador de fio:

- Acessório do podador de fio
- Proteção com os respetivos parafusos de fixação
- Aba de acessório
- Manual de instruções original
- Chave Torx
- Cavilha para bloqueio

Depois de retirar o podador de fio da caixa, inspecione-o com atenção para se certificar de que não ocorreram danos durante o transporte e de que não existem peças em falta. Se existirem peças em falta ou danificadas, não use o podador de fio. Contacte a Oregon® Cordless Tool System pelo número 888 313 8665 para obter peças de substituição ou contacte o seu agente local.

Montagem

⚠ ADVERTÊNCIA: Uma ferramenta acionada por bateria com a mesma inserida pode arrancar acidentalmente. Retire a bateria antes de realizar qualquer manutenção.

FIXAÇÃO DA PROTEÇÃO (FIG. A)

⚠ ADVERTÊNCIA: A lâmina do fio de corte no defletor da relva está afiada. Evite o contacto com a lâmina. Não evitar o contacto pode resultar em ferimentos graves.

- Remova a bateria.
- Retire os parafusos (1) da proteção (2).
- Insira a aba do acessório (3) no suporte de montagem existente na ranhura da proteção.
- Aperte bem os parafusos.

INSTALAÇÃO DE UM ACESSÓRIO NA CABEÇA MOTORIZADA (FIG. B)

⚠ ADVERTÊNCIA: Leia e entenda todo o Manual de instruções original para cada acessório opcional usado nesta cabeça motorizada e siga todas as advertências e instruções. O incumprimento de todas as instruções pode resultar em choque elétrico, incêndio e/ou lesões pessoais graves.

⚠ ADVERTÊNCIA: Esta cabeça motorizada foi concebida para ser usada somente com os modelos de acessórios da Oregon especificados neste Manual de instruções original. O uso de outros acessórios pode causar danos pessoais graves ou danos materiais.

Esta cabeça motorizada pode ser usada apenas com Multi-acessórios Oregon.

O acessório é ligado à cabeça motorizada por meio um dispositivo de acoplamento.

- Pare o motor e retire a bateria.
- Afrouxe o manípulo do dispositivo de acoplamento no tubo da cabeça motorizada e remova a tampa da extremidade do acessório.
- Pressione o botão localizado no eixo do acessório. Alinhe o botão com a reentrância guia do acoplador da cabeça motorizada e faça deslizar a haste de fixação para dentro da cabeça motorizada. Rode o eixo do acessório até o botão bloquear na posição correta.

NOTA: Se o botão não se soltar completamente no orifício de posicionamento, os eixos não estão devidamente bloqueados. Gire ligeiramente para cada lado até que o botão fique bloqueado.

- Aperte bem o manípulo.

⚠ ADVERTÊNCIA: **Certifique-se de que o dispositivo está completamente apertado antes de operar o equipamento; verifique periodicamente o aperto durante a utilização para evitar ferimentos graves.**

REMOÇÃO DO ACESSÓRIO DA CABEÇA MOTORIZADA

- Pare o motor, retire a bateria e ative o bloqueio de transporte.
- Afrouxe o manípulo.
- Empurre o botão e torça os veios para remover e separar o veio.

EXTENSÃO DA CABEÇA MOTORIZADA (FIG. C)



⚠ ADVERTÊNCIA: **Não use a extensão com o acessório podador de fio.**

Não use uma lâmina metálica ou de plástico com o acessório podador de fio.

MONTAGEM DO ARNÊS (FIG. D)

- Coloque a alça de ombro.
- Ajuste o comprimento da alça. O mosquetão deve estar cerca de um palmo abaixo da anca direita do operador.
- Solte o arnês pressionando para baixo a barra do mosquetão e puxe o laço do arnês para fora do mosquetão.

Bateria e carregador

⚠️ ADVERTÊNCIA: Para reduzir o risco de choque elétrico, não carregue a bateria à chuva.

INDICADOR LED DE NÍVEL DE CARGA DA BATERIA

A bateria de íões de lítio integra um indicador LED de nível de carga. Para testar o nível de carga da bateria, prima o botão indicador na frente da mesma.

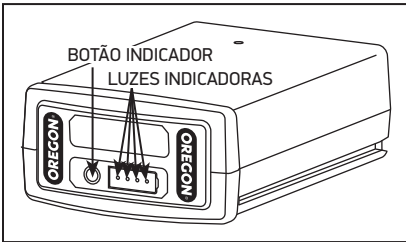
Nenhuma luz: recarregar.

Uma luz verde fixa:
menos de 25% de carga.
Carregue a bateria antes de usar.

Duas luzes verdes fixas:
26-50% de carga.

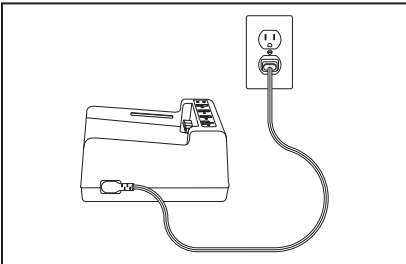
Três luzes verdes fixas:
51-75% de carga.

Quatro luzes verdes fixas:
76-100% de carga.



LIGAR O CARREGADOR

Se o carregador possuir um cabo de corrente separado, ligue o cabo ao carregador e à tomada de parede adequada.



Utilizar apenas o conjunto de cabos fornecido com o carregador. Aquando da primeira utilização, verificar se o tipo de ficha se adapta à tomada.

INDICADOR LED DE ESTADO DE CARGA DO CARREGADOR

O carregador da bateria está equipado com um indicador LED de estado de carga que indica o estado da carga bem como as condições que podem atrasar ou impedir o carregamento.

Nota: Enquanto não for inserida uma bateria, não serão visíveis quaisquer luzes.

Diagrama do painel de controle do carregador com legendas explicando as luzes:

- Luz laranja a cintilar: existe falha. Existem várias causas possíveis. Consultar "Resolução de problemas" neste manual.
- Luz laranja fixa: a temperatura da bateria está fora do intervalo aceitável (0 °C/32 °F a 40 °C/104 °F). Deixar a bateria atingir o intervalo de temperaturas aceitáveis antes de carregar. A bateria pode ser deixada no carregador enquanto a temperatura se ajusta. O carregamento terá início assim que for atingida uma temperatura apropriada.
- Luz verde intermitente: bateria a carregar.
- Luz verde fixa: a bateria está pronta a utilizar.

CARREGAR A BATERIA

⚠️ ADVERTÊNCIA: O desrespeito pelos procedimentos de carregamento apropriados pode provocar uma tensão excessiva, um fluxo de corrente excessivo, perda de controle durante o carregamento, fuga de produtos químicos perigosos, produção de calor, explosão ou incêndio. Siga estas instruções de carregamento.

Com o cabo do carregador ligado ao carregador e a uma tomada de parede, alinhe as ranhuras da bateria com as calhas do carregador e faça deslizar a bateria sobre o carregador até encaixar totalmente.

Para mais informações, por favor, consulte os manuais da bateria e do carregador.

Operação e manutenção

Utilização geral



⚠️ ADVERTÊNCIA: Para reduzir o risco de lesões, use sempre botas adequadas, calças compridas, proteção auricular e ocular.

⚠️ ADVERTÊNCIA: Para reduzir o risco de lesões, não se deve inclinar nem subir para um escadote, banco ou qualquer posição elevada que não esteja devidamente segura.

⚠️ CUIDADO: Demarque uma zona de segurança para espectadores de 15 m (50 pés) antes de utilizar o equipamento. A zona de segurança para espectadores consiste num círculo com um mínimo de 15 m (50 pés) à volta do operador no qual não devem entrar espectadores, crianças e animais de estimação.

Para obter o melhor desempenho e operar a cabeça motorizada e acessórios com segurança, siga estas instruções.

Antes de usar, inspecione a cabeça motorizada e acessórios conforme descrito em "Manutenção".

Consulte sempre as instruções originais fornecidas com o acessório para obter instruções adicionais de uso e de segurança. Se não o fizer, podem ocorrer lesões.

TEMPERATURA DE FUNCIONAMENTO

A cabeça motorizada e acessórios foram concebidos para funcionar num intervalo de temperaturas de 0 °C a 40 °C (32 °F a 104 °F).

PONTO DE APOIO

Os dois pés devem estar firmemente assentes no solo com o peso distribuído uniformemente entre eles.

Tenha cuidado em escadas e trabalhe lentamente para manter o equilíbrio. Nunca corra enquanto opera a cabeça motorizada.

ACIONAMENTO DO BLOQUEIO DE TRANSPORTE (FIG. E)

- Mova o botão para a direita para acionar o bloqueio de transporte.
- Mova o botão para a esquerda para soltar o bloqueio de transporte, quando quiser iniciar a ferramenta.

PARAGEM DA CABEÇA MOTORIZADA (FIG. F)

Solte o acionador de velocidade variável para parar a cabeça motorizada.

ARRANQUE DA CABEÇA MOTORIZADA (FIG. G)

⚠️ ADVERTÊNCIA: Para reduzir o risco de ferimentos, nunca neutralize a alavanca de bloqueio do acionador prendendo com fita ou arame, ou amarrando a alavanca de bloqueio do acionador.

- Desengate o bloqueio de transporte **(1)** movendo o botão para a esquerda.
- Agarre firmemente a pega de modo a que a alavanca de bloqueio do acionador **(2)** seja pressionada pela palma da mão.
- Para arrancar com a cabeça motorizada, aperte o acionador de velocidade variável **(3)**. Aperte o acionador de velocidade variável de forma mais firme para aumentar a velocidade e a força da cabeça motorizada.

INSERIR E REMOVER A BATERIA (FIG. H)

Utilize apenas baterias da marca Oregon® especificadas nestas instruções de utilização.

Alinhar a ranhura da bateria com as calhas no interior da porta da bateria. Insira com firmeza a bateria na porta da bateria da cabeça motorizada, empurrando para a frente até encaixar completamente.

Para remover a bateria, levante o dispositivo de libertação da bateria, pegue nas partes laterais da bateria e remova-a.

OPERAÇÃO DO PODADOR DE FIO

⚠️ ADVERTÊNCIA: Segure sempre o podador de fio afastado do corpo mantendo um espaço entre o corpo e a ferramenta. Qualquer contato com uma cabeça de corte acessória pode resultar em queimaduras e/ou outras lesões pessoais graves.

Se detritos ficarem enrolados à volta do acessório, solte o acionador de velocidade variável, remova a bateria e remova os detritos.

O sistema de corte Gator® Speedload™ (GSL)

AVANÇO DA CORDA DO PODADOR

O disco GSL dura mais tempo do que os fios de podador normais. No entanto, o fio do podador irá desgastar-se ao longo do tempo. Faça avançar o fio batendo a cabeça contra o solo para retirar mais fio do disco.

Com o motor a trabalhar e o cabeçote do podador a rodar, toque com o cabeçote do podador no solo. Mais fio sairá do disco e o excesso de fio é cortado pela lâmina na parte inferior da proteção.

Se o fio não sair é porque o disco pode estar vazio. Desligue o podador/bordeador e substitua o disco conforme descrito em "Substituir o disco GSL".

ABRIR A CABEÇA GSL (FIG. I)

⚠️ ADVERTÊNCIA: Uma ferramenta a bateria com a bateria inserida está sempre ligada e pode arrancar acidentalmente. Retire a bateria do podador de fio antes de o inspecionar, limpar ou fazer manutenção.

Se detetar um problema com a operação do sistema de corte GSL e precisar de inspecionar o disco ou a cabeça, siga estes passos para abrir a cabeça GSL:

- Remova a bateria e, em seguida, coloque o podador de fio de cabeça para baixo.
- Prima a cabeça GSL para libertar a parte inferior da base.

FECHAR A CABEÇA GSL (FIG. J)

- Verifique o disco e limpe os bloqueios ou substitua o disco. Consulte "Substituir o GSL".
- Remova os recortes, pó e detritos.
- Volte a colocar a cabeça GSL na base e pressione bem até ficar encaixada.

SUBSTITUIR O DISCO GSL (FIG. K)

O podador de fio está equipado com o inovador sistema de corte GSL. A cabeça GSL contém um disco de fio de podador que é pré-enrolado e autônomo. O disco GSL dura mais tempo do que o fio de podador normal. A remoção e substituição de um disco é simples.

- Puxe a cabeça para fora da base. Puxe o disco gasto para fora e elimine-o **(1)**.
- Descole dois pedaços de fio de podador separados de lados opostos do disco. Certifique-se de que cada peça é afastada para criar um pequeno espaço entre os fios de podador descolados e o disco **(2)**.
- Coloque o disco no interior da cabeça alinhando o orifício central do disco com o orifício no centro da cabeça. Pressione bem o disco até ficar na posição correta **(3)**.
- Certifique-se de que as extremidades do fio de podador conseguem passar através dos dois conjuntos de espigões na cabeça **(4)**.
- Volte a colocar a cabeça GSL na base e pressione bem até ficar encaixada.

O inovador disco de lingueta e ranhura elimina a necessidade de laçar o fio de podador. Os discos duram mais tempo do que os fios de podador tradicionais.

RETIRAR E SUBSTITUIR A CABEÇA GLS (FIG. L)

Se a cabeça apresentar fissuras ou estiver partida, deve retirá-la e substituí-la por uma nova. Se houver formação de recortes ou resíduos resultantes da poda entre a cabeça e a proteção, é mais fácil limpar o podador de fio se a cabeça for retirada primeiro.

- Remova a bateria e, em seguida, coloque o podador de fio de cabeça para baixo.
- Siga as instruções em “Abrir a cabeça GSL”.
- Use uma chave de fendas plana para imobilizar o eixo e rode a base do podado no sentido contrário ao dos ponteiros do relógio para soltar a porca central **(1)**.
- Puxe a base GSL para fora.
- Remova o protetor do contentor de relva da cabeça **(2)**.
- Introduza o novo protetor do contentor de relva.
- Para colocar uma nova cabeça GSL, faça deslizar a porca para dentro da abertura central da cabeça GSL **(3)**.
- Coloque a cabeça GSL no interior do compartimento do podador.

- Aperte bem a porca **(4)**.
- Siga as instruções em “Substituir o disco GSL” para colocar um novo disco de fio de podador no podador de fio.
- Feche a cabeça.

AFIAR A LÂMINA DA CORDA DE CORTE (FIG. M)

Recomenda-se que a lâmina da corda de corte seja afiada por um agente da Oregon®, mas esta também pode ser afiada pelo operador.

Para afiar a lâmina da corda de corte, é necessária uma lima plana.

Depois de obter a lima, use luvas e proteção para os olhos e remova a bateria.

- Deite o podador de lado, com a lâmina da corda de corte na parte superior e volte-se para a parte inferior do cabeçote.
- Coloque a lima encostada ao fio da lâmina da corda de corte **(1)**.
- Empurre a lima para baixo e para a direita, removendo material do fio da lâmina **(2)**.
- Repita até a lâmina da corda de corte estar afiada.

CORRIGIR A ACUMULAÇÃO DA RELVA

⚠ CUIDADO: Uma ferramenta a bateria com a bateria inserida está sempre ligada e pode arrancar acidentalmente. Tire sempre a bateria antes de corrigir a ligação da relva para evitar o arranque involuntário do cabeçote.

Alguns tipos e comprimentos de relva podem por vezes ficar presos entre o cabeçote e o pino. Quando tal acontece, a relva enrola-se rapidamente em torno do veio, obstruindo o espaço entre o veio e o cabeçote, baixando a velocidade ou parando a rotação do cabeçote. Esta situação é chamada de ligação da relva. O podador de fio está equipado com um manto protetor do contentor de relva entre a cabeça de corte e o eixo para ajudar a minimizar a acumulação da relva, mas essa condição ainda pode ocorrer ocasionalmente.

Para corrigir a acumulação da relva:

- Remova a bateria.
- Retire o cabeçote do aparador.
- Limpe toda a relva ou ervas daninhas do eixo. Se necessário, corte a relva ou as ervas daninhas.
- Quando o pino estiver limpo, substitua o cabeçote.

Manutenção

⚠️ ADVERTÊNCIA: Uma ferramenta acionada por bateria com a mesma inserida pode arrancar acidentalmente. Remova o conjunto da bateria antes de inspecionar, limpar ou efetuar a manutenção.

⚠️ CUIDADO: Inspeção regularmente o podador de fio. Uma inspeção regular é o primeiro passo para uma manutenção adequada. Siga as directrizes abaixo para maximizar a segurança e a satisfação. Substitua imediatamente quaisquer peças danificadas ou demasiado gastas.

⚠️ CUIDADO: Ao limpar o podador de fio, nunca o mergulhe em água ou em qualquer outro líquido. Não use uma máquina de lavagem de alta pressão para limpar o podador de fio.

Inspeção

Antes de cada uso, e se o podador de fio tiver sido deixado cair, inspecione estas peças:

CABEÇOTE DO PODADOR

- Certifique-se de que não existem fissuras ou outros danos. Caso existam, substitua-o. Podem ocorrer lesões graves, se um cabeçote do podador danificado partir durante o funcionamento.
- Verifique se o cabeçote roda livremente e se a corda avança. Se o cabeçote não rodar livremente, consulte “Corrigir acumulação da relva”.
- Se o fio do podador ficar preso ou embaraçado, abra a cabeça GSL e verifique o disco. Substitua ou reinstale o disco conforme necessário.
- Inspeção o protetor do contentor de relva para se certificar de que não está rachado, partido ou solto. Caso existam, substitua-o.
- Inspeção a proteção e substitua-a se estiver danificada.

CABEÇA MOTORIZADA

- A pega não deve apresentar fissuras ou outros danos. Deve estar limpa, seca e sem óleo, humidade ou qualquer outra coisa que impeça um aperto firme.
- O respiradouro para refrigeração da eletrónica deve estar desobstruído e livre de detritos.
- A bateria deve estar limpa, seca, sem sinais de perfuração, impactos ou outros danos. Os contactos devem estar limpos, secos e sem resíduos.

- A porta da bateria e os contactos devem estar limpos, secos e sem resíduos.
- O acionador de velocidade variável deve operar sem problemas e deve aumentar a velocidade da cabeça motorizada com o aumento da pressão.
- O acionador de velocidade variável deve impedir o arranque do motor, se não estiver pressionado.
- Os parafusos devem estar apertados e fixar cada componente no seu lugar.

Limpeza

⚠️ CUIDADO: Quando limpar a cabeça motorizada e acessórios, nunca os mergulhe em água ou noutros líquidos. Não use uma máquina de lavagem de alta pressão para limpar a cabeça motorizada e acessórios.

- Remova a bateria.
- Remova todos os detritos do filtro de entrada para garantir que o ar flui livremente.
- Remova todos os detritos da porta da bateria e limpe os contactos.
- Limpe o pó e bocados de relva do podador de fio.

BATERIA

IMPORTANTE: No interior da bateria não existem quaisquer componentes sujeitos a assistência por parte do utilizador. Não desmontar.

As baterias de iões de lítio têm uma vida útil limitada. Se o tempo de corte por cada carregamento diminuir significativamente, é sinal de que a bateria está no fim da sua vida útil e deve ser substituída.

- Garantir que a bateria, incluindo os contactos, está limpa, seca e não apresenta sinais de perfuração, impacto ou outros danos. Baterias partidas podem provocar incêndios ou expelir químicos perigosos.
- Limpar os contactos sujos com um pano macio e seco. A poeira e o óleo podem prejudicar a ligação eléctrica e a máquina perde potência.
- Guarde a bateria com carga completa, num carregador quando possível.

CARREGADOR

IMPORTANTE: No interior do dispositivo não existem quaisquer peças sujeitas a assistência por parte do utilizador. Não desmontar.

- Desligar o carregador da tomada de parede.
- Limpar os contactos sujos com um pano macio e seco.

Resolução de problemas

Use esta tabela para consultar as soluções possíveis para possíveis problemas com o seu podador de fio. Se estas sugestões não resolverem o problema, consulte "Garantia e serviço".

SINTOMA	CAUSA PROVÁVEL	ACÇÕES RECOMENDADAS
O podador/ bordeador não está a cortar bem.	Há relva ou ervas entre o veio e o cabeçote.	Consulte "Corrigir a acumulação da relva".
	Disco GSL vazio	Consulte "Substituir o disco GSL".
Corda do podador não alimenta	Disco GSL vazio	Consulte "Substituir o disco GSL".
	A corda está emaranhada.	Retire o disco GSL. Consulte "Substituir o disco GSL".
A corda desgasta- se com muita facilidade.	A velocidade de corte é superior à especificada.	Aplicar menos pressão no acionador de velocidade variável.
	Técnica de corte incorrecta	Evite forçar o cabeçote contra superfícies duras. Mova o cabeçote lentamente até que a borda de corda toque na relva ou ervas daninhas.
O podador/ alinhador vibra demasiado durante o funcionamento	Cabeça GSL danificada	Consulte "O sistema de corte Gator® Speedload™ (GSL)".
	Cabeça GSL não colocada corretamente	Remova a cabeça GSL e reinstale, certificando-se de que a porca está bem apertada. Consulte "O sistema de corte Gator® Speedload™ (GSL)".
	A lâmina da corda de corte está romba	Consulte "Afiar a lâmina da corda de corte".
O fim da corda do podador está desgastado, áspero ou cortado de forma desigual	A lâmina da corda de corte está romba	Consulte "Afiar a lâmina da corda de corte".

Especificações e componentes

⚠️ ADVERTÊNCIA: O uso de peças de reposição diferentes das especificadas neste manual de instruções aumenta o risco de lesões. Nunca use acessórios diferentes dos descritos neste manual.

COMPONENTES DE SUBSTITUIÇÃO		REFERÊNCIA
Bateria, modelo B425E		545938
Bateria, modelo B600E		548208
Bateria, modelo B650E		545937
Carregador com cabo, modelo C600		540580
Carregador com cabo, modelo C650		594076
Carregador rápido com cabo, modelo C750		548185
CARREGADOR, MODELO C600		
Entrada	100-240 V~ 50-60 Hz 60 W	
Entrada (EUA e Canadá apenas)	120 V ~ 60 Hz 60 W	
Saída	41,5 V=== 1,25 A	
Cabo de alimentação	US/CAN P/N: 546636 UE P/N: 547383 UK P/N: 547384 AU/NZ P/N: 560663	
CARREGADOR, MODELO C650		
Entrada	100-240 V~ 50-60 Hz 60 W	
Entrada (EUA e Canadá apenas)	120 V ~ 60 Hz 60 W	
Saída	41,5 V=== 1,8 A	
Cabo de alimentação	US/CAN P/N: 546636 UE P/N: 547383 UK P/N: 547384 AU/NZ P/N: 560663	
CARREGADOR, MODELO C750		
Entrada	100-240 V~ 50-60 Hz 260 W	
Entrada (EUA e Canadá apenas)	120 V ~ 60 Hz 260 W	
Saída	41 V=== 4,6 A	
Cabo de alimentação	US/CAN P/N: 585068 UE P/N: 585069 UK P/N: 585070 AU/NZ P/N: 585073	
BATERIA		
Tipo	lões de lítio	
Temperaturas de funcionamento	0 °C a 40 °C (32 °F a 104 °F)	
Modelo	Capacidade, nominal	Tensão, nominal
B425E	2,6 Ah / 94 Wh	+36 VCC
B600E	4,0 Ah/144 Wh	+36 VCC
B650E	6,0 Ah/216 Wh	+36 VCC
PODADOR DE FIO		
Diâmetro de corte	36 cm (14 pol.)	
Espessura da linha	2 mm (0,080 pol.) Gator® SpeedLoad™	
Peso	1,6 kg (3,7 lb)	

Garantia e serviço

Garantia

A Blount, Inc. garante todas as ferramentas e carregadores sem fio Oregon® registados por um período de três (3) anos e todas as baterias sem fio Oregon® por dois (2) anos a partir da data original de compra. Ferramentas, baterias e carregadores sem fio Oregon® registados têm garantia de dois (2) anos, se usados para aplicações comerciais. Esta garantia limitada aplica-se a produtos fabricados pela Oregon® Cordless Tool System. Durante o período da garantia, a Blount substituirá ou, mediante sua exclusiva decisão, reparará apenas para o comprador original, sem quaisquer custos, qualquer produto ou componente que, após inspeção realizada pela Blount, se considere com defeito de material e/ou fabrico. O comprador será responsável por todos os custos de transporte e qualquer custo de remoção de qualquer componente enviado para substituição ao abrigo da presente garantia.

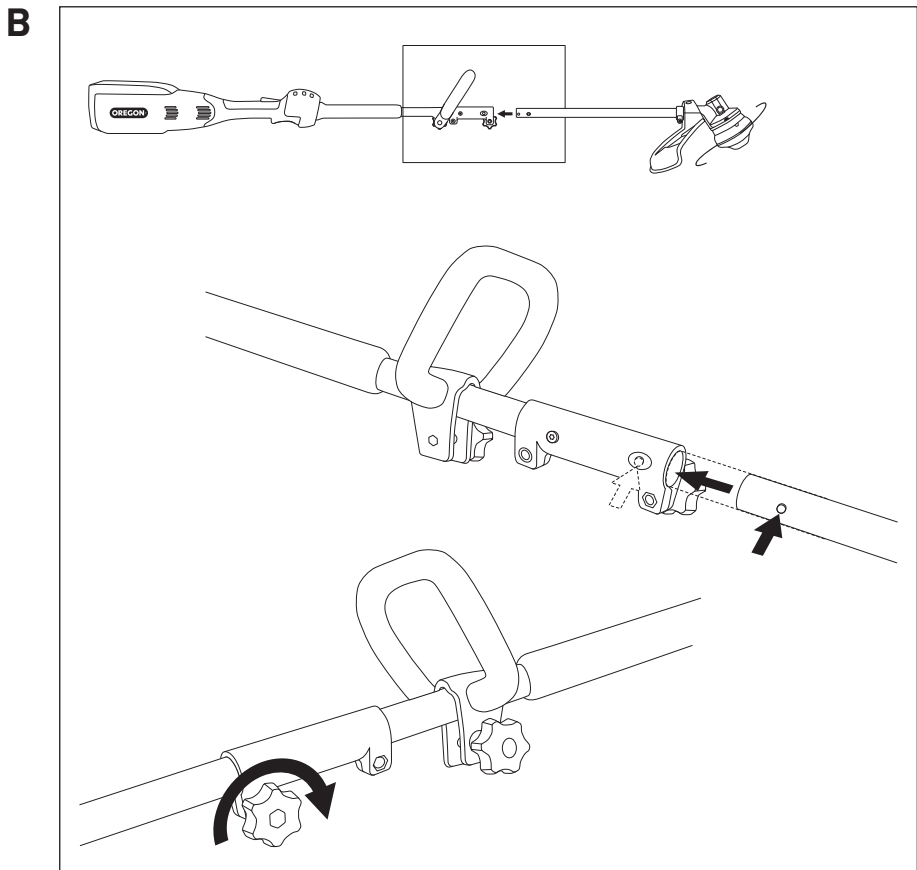
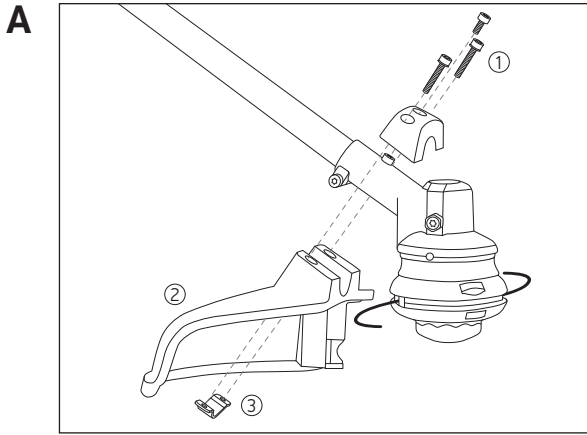
Para registar seu produto, visite a secção "suporte" de **OregonCordless.com**.

Informações sobre assistência e suporte

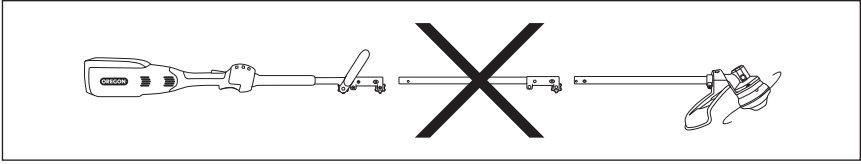
Para informações sobre o centro de assistência, visite-nos na Web em **OregonCordless.com** ou contacte o nosso departamento de assistência ao cliente no número 888.313.8665 para obter assistência, aconselhamento técnico adicional, reparação ou peças sobressalentes.

Por motivos de segurança, utilizar apenas peças sobressalentes genuínas. O nosso centro de assistência conta com a colaboração de técnicos com formação cuja finalidade é fornecer suporte e assistência na afinação, reparação ou substituição de todos os produtos Oregon® Cordless Tools System.

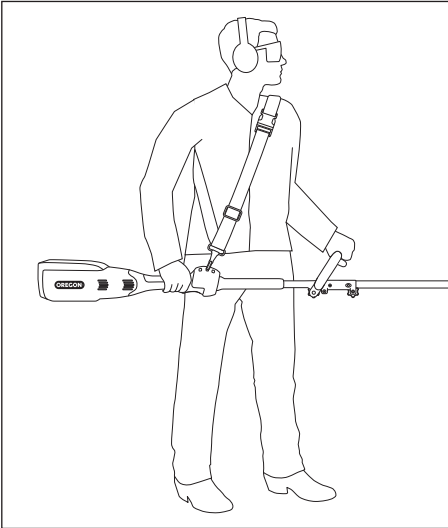
Figuras



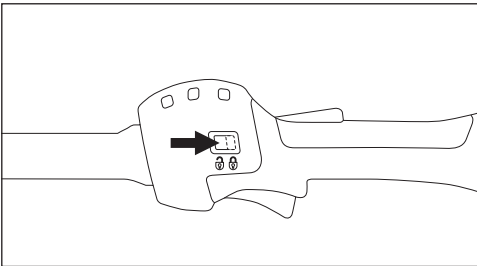
C



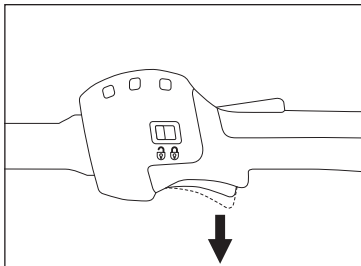
D



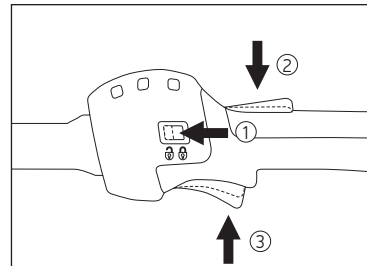
E



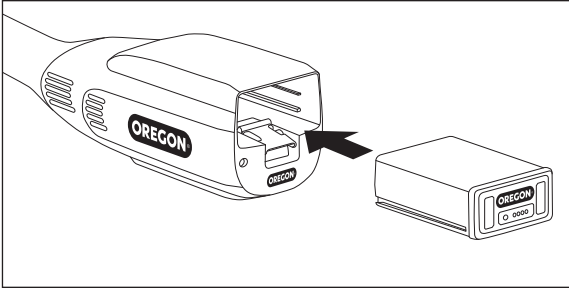
F



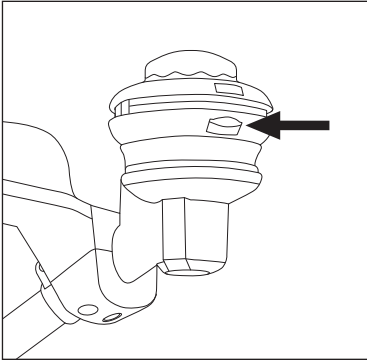
G



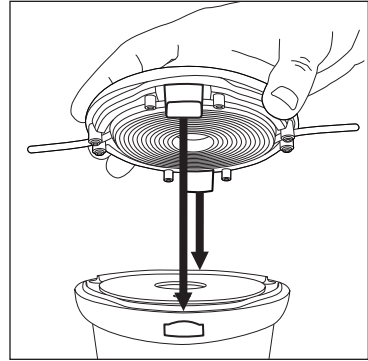
H



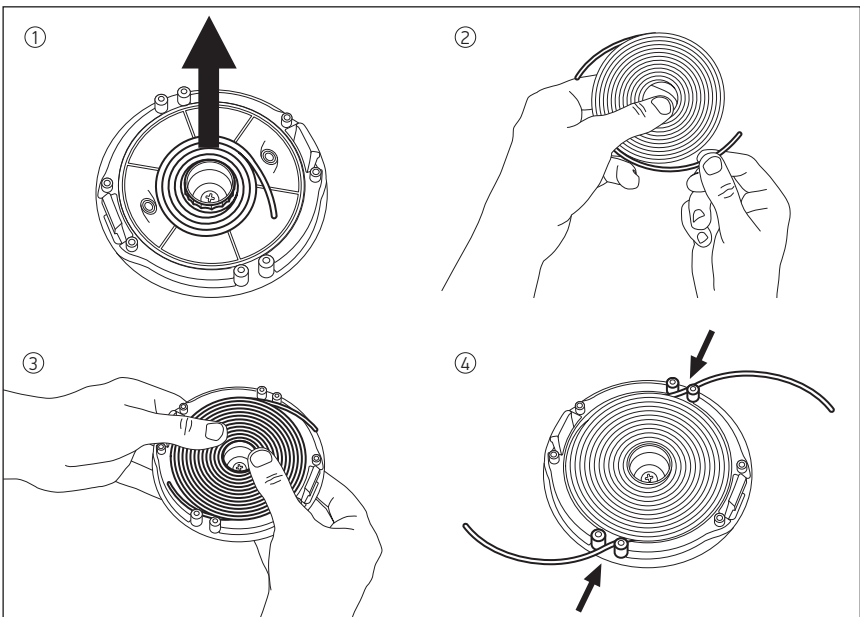
I



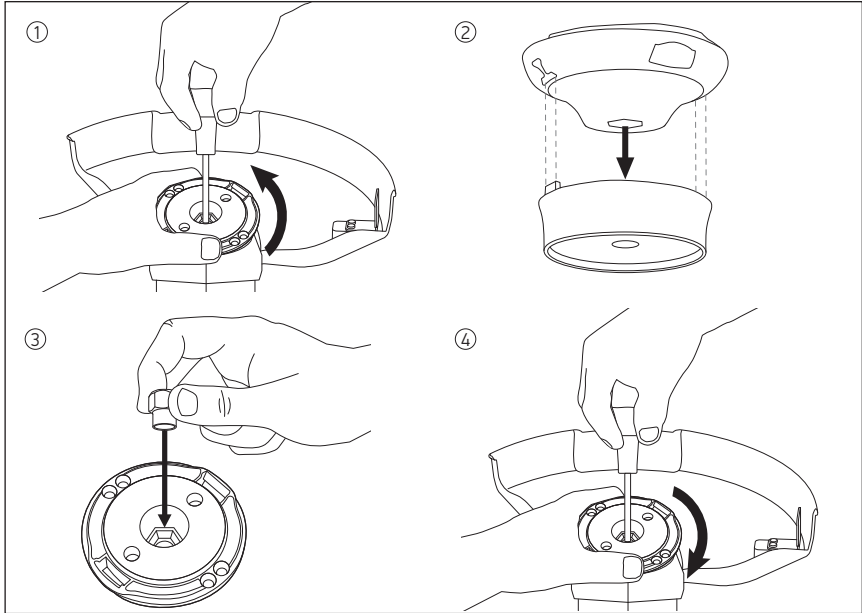
J



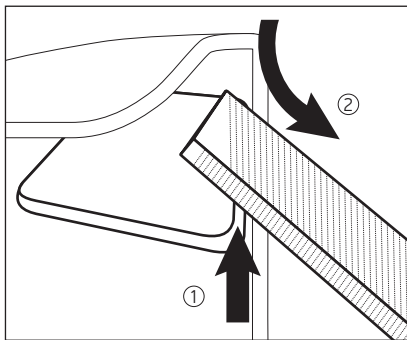
K



L



M







OregonProducts.com

Blount International, Inc.
4909 SE International Way
Portland, OR 97222-4679 USA