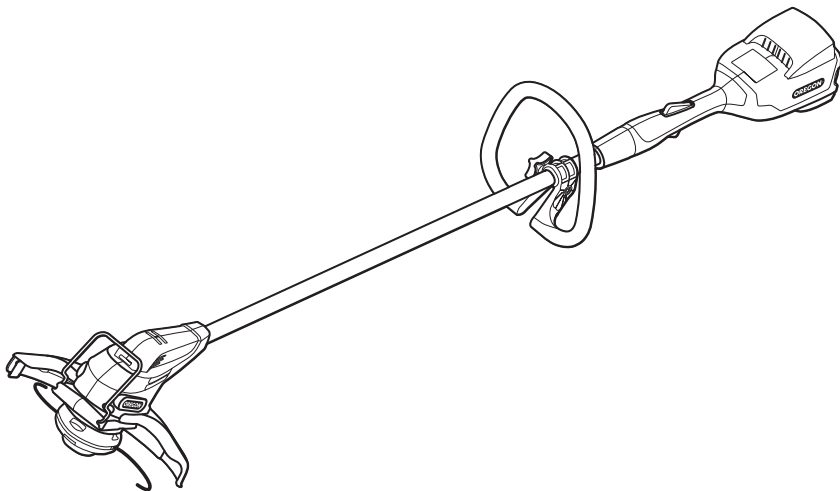


**OREGON®**



**Original Instruction Manual  
Trimmer/Edger Model ST275 GSL**

**Manuel d'Instructions Original  
Taille-Bordure/Coupe-Bordure  
Modèle ST275 GSL**

**Manual de Instrucciones Original  
Podadora/Bordeadora  
Modelo ST275 GSL**





English . . . . . 4

---

**▲ WARNING: Read and understand all safety warnings and all instructions.**

Failure to follow the warnings and instructions may result in electric shock, fire and/or serious injury.

**Save all warnings and instructions for future reference.**

---

This instruction manual contains translations of a manual drafted in English and are provided to assist those who do not speak English as their first language. Being a technical writing, some terms may not have a like or equivalent meaning as translated. Therefore, you should not rely on this translation, and should cross-reference the English version, where relying on the translated instructions could result in harm to your person or property.

Français. . . . . 32

---

**▲ AVERTISSEMENT : Prenez connaissance de tous les avertissements et consignes de sécurité.**

L'inobservation de ces avertissements et consignes comporte des risques d'électrocution, d'incendie et/ou de lésions graves. **Rangez ces consignes et avertissements en lieu sûr afin de pouvoir les consulter ultérieurement.**

---

Ce manuel d'utilisation contient plusieurs traductions d'un document rédigé en anglais. Ces traductions visent à aider les utilisateurs dont l'anglais n'est pas la langue maternelle. Comme il s'agit d'un document technique, certains termes sont susceptibles de prendre une signification différente après traduction. Par conséquent, vous ne devez pas vous fier aveuglément à cette traduction. Reportez-vous à la version anglaise si vous percevez que le respect des consignes traduites pourrait occasionner des dommages matériels ou des lésions corporelles.

Español. . . . . 60

---

**▲ ADVERTENCIA: Lea y entienda todas las advertencias de seguridad e instrucciones.**

El incumplimiento de las advertencias e instrucciones puede dar lugar a descargas eléctricas, incendios o lesiones graves. **Guarde todas las advertencias e instrucciones para referencia futura.**

---

Este manual de instrucciones contiene traducciones de un manual redactado en inglés y se ofrece para ayudar a aquellos que no hablan inglés como primer idioma. Al tratarse de un texto técnico, algunos términos pueden no tener un significado similar o equivalente en la traducción. Por lo tanto, no debe confiar en esta traducción, y debería ir consultando la versión inglesa en aquellos puntos donde la confianza en las instrucciones traducidas pueda causar daños a su persona o a la propiedad.

## Table of Contents

Symbols and Labels . . . . .	5
Trimmer/Edger Names and Terms . . . . .	6
Product Identification . . . . .	7
Safety Rules . . . . .	8
General Power Tool Safety Warnings . . . . .	8
Work Area Safety . . . . .	8
Electrical Safety . . . . .	8
Personal Safety . . . . .	9
Power Tool Use and Care . . . . .	10
Battery Tool Use and Care . . . . .	10
Service . . . . .	10
Trimmer/Edger Safety Warnings . . . . .	11
Storage, Transporting, and Disposal . . . . .	11
Battery Safety . . . . .	12
Charger Safety . . . . .	13
Unpacking and Assembly . . . . .	14
Unpacking . . . . .	14
Assembly . . . . .	14
Operating the Trimmer/Edger . . . . .	16
Battery Pack and Charger . . . . .	16
General Operation . . . . .	18
Trimming . . . . .	19
Edging . . . . .	20
Maintenance and Cleaning . . . . .	21
Trimmer/Edger . . . . .	21
Opening the Gator® Speedload™ (GSL) . . . . .	22
Closing the GSL Head . . . . .	22
Replacing the Gator® Speedload™ (GSL) . . . . .	23
Removing and Replacing the Gator® Speedload™ (GSL) Head . . . . .	24
Sharpening the Line Cutting Blade . . . . .	25
Correcting Grass Bind . . . . .	25
Battery Pack . . . . .	26
Charger . . . . .	26
Troubleshooting . . . . .	27
Specifications and Components . . . . .	29
Warranty and Service . . . . .	30

## Symbols and Labels

These symbols and labels appear on the trimmer/edger, battery, and charger.

SYMBOL	NAME	EXPLANATION
	<b>Class II Construction</b>	Designated double insulated construction tools
	<b>Safety Alert Symbol</b>	Indicates that the text that follows explains a danger, warning, or caution.
	<b>Read Instructions</b>	The original instruction manual contains important safety and operating information. Read and follow the instructions carefully.
	<b>Wear Eye Protection</b>	Wear eye protection when operating the trimmer/edger.
	<b>Wear Hearing Protection</b>	Wear hearing protection when operating the trimmer/edger.
	<b>Wear Long Pants</b>	Wear long pants when operating the trimmer/edger.
	<b>Wear Foot Protection</b>	Wear appropriate closed-toe work boots when operating the trimmer/edger.
	<b>No Cutting Blade</b>	Do not install metal or plastic cutting blades.
	<b>Sound Power</b>	Sound power level is 90 dB.
	<b>Do Not Incinerate</b>	Do not dispose in flames.
	<b>Do Not Dispose</b>	Do not throw in the household waste. Take to an authorized recycler.
	<b>Do Not Expose to Rain</b>	Do not operate the charger in wet conditions.
	<b>Indoor Use Only</b>	Intended for indoor use only.
	<b>Operating Temperature</b>	Only use the battery pack at a temperature between 32°F to 104°F (0°C and 40°C).
	<b>Remove Battery</b>	Remove the battery before performing any maintenance.

## Trimmer/Edger Names and Terms

**Bystander safety zone:** A 20 ft (6 m) circle around the operator that must remain free from tripping hazards, bystanders, children, and pets.

**Cutting speed:** The trimmer/edger has a variable cutting speed. Press the throttle trigger more firmly for faster cutting speed. To get the most cutting time out of each charge, use only the minimum cutting speed necessary to cut the material.

**Edging:** The process of using the trimmer/edger to maintain a clean line between lawn and sidewalk, pavement, flower bed, or other object.

**Edging guide:** The metal component extending from the trimmer that helps control the position of the trimmer head during edging.

**Front handle:** The support handle toward the middle of the shaft.

**Grass wrap protector:** The plastic cover between the trimmer head and the guard that helps prevent grass bind.

**Guard:** The barrier between the trimmer head and the operator.

**Line cutting blade:** The blade on the bottom of the guard that limits the length of the trimmer line.

**Motor housing:** The plastic cover at the end of the shaft that holds the guard and trimmer head.

**Powerhead:** The assembly at the end of the shaft holding the battery pack.

**Rear handle:** The support handle, located at or toward the rear of the trimmer/edger, where the throttle trigger is located.

**Shaft:** The long portion between the powerhead and the motor housing.

**Spindle:** The part protruding from the motor housing that connects the trimmer head to the trimmer/edger.

**Throttle trigger:** A device that controls the speed of the head.

**Trimmer head:** The rotating assembly at the end of the shaft, below the guard.

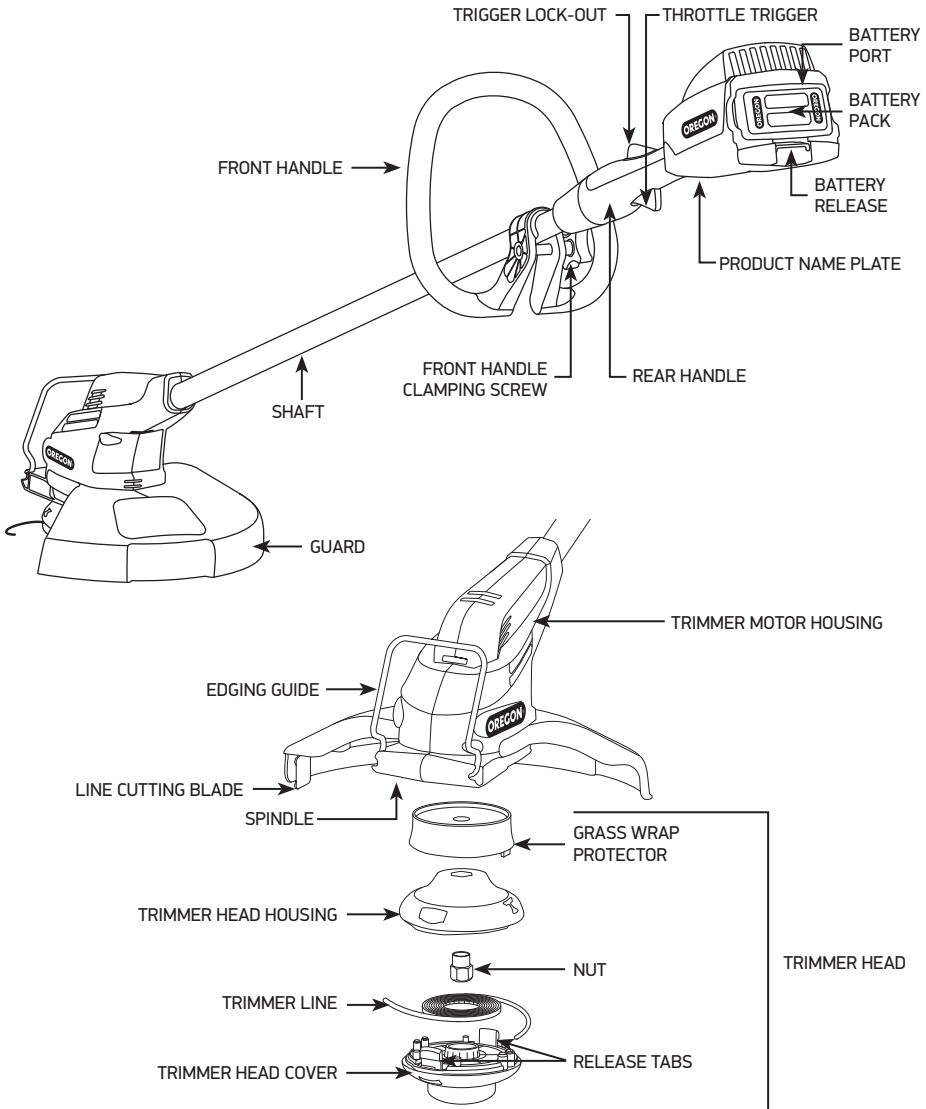
**Trimming:** The process of using the trimmer/edger to cut grass or weeds to a manageable height.

**Trigger lock-out:** A movable stop that prevents the unintentional activation of the trimmer/edger until manually actuated.

**Wear parts:** Parts such as the trimmer head and trimmer line that wear during use and can be replaced by the user.

# Product Identification

## Know the Trimmer/Edger



**⚠ DANGER: Use of blade attachments on the trimmer/edger may result in serious personal injury.** Do not attach metal or plastic cutting blades to the trimmer/edger. Use nylon trimmer line only.



**NOTE:** See “Unpacking” for a list of included items.

## Introduction

This trimmer/edger is designed for regular maintenance trimming of grass and weeds using flexible nylon trimmer line. It is not designed to clear heavy brush or for use with any metal cutting attachments. Any other use other than stated is not recommended. This product has been designed in accordance with the state of the art safety technology of the time. However, even with this technology, it is recognized that residual risk, such as thrown objects, still exist. The operator is directed to closely read, understand, and follow all safety precautions to reduce potential injury from these risks.

## Safety Rules

### General Power Tool Safety Warnings

**⚠ WARNING: Read and understand all safety warnings and all instructions.**

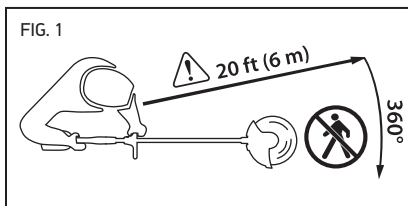
Failure to follow the warnings and instructions may result in electric shock, fire and/or serious injury.



**Save all warnings and instructions for future reference.** The term "Power Tool" in the warnings refers to your mains-operated (corded) power tool or battery operated (cordless) power tool.

### Work Area Safety

- **Keep work area clean and well lit.** Cluttered or dark areas invite accidents.
- **Do not operate power tools in explosive atmospheres, such as in the presence of flammable liquids, gases or dust.** Power tools create sparks which may ignite the dust or fumes.
- **Keep children and bystanders away while operating a power tool (Fig. 1).** Distractions can cause you to lose control.



**⚠ CAUTION: Establish a bystander safety zone of 20 ft (6 m) prior to operation of this equipment.** Bystander safety zone is a 20 ft (6 m) circle around the operator that must remain free from bystanders, children, and pets.

### Electrical Safety

- **Power tool plugs must match the outlet. Never modify the plug in any way. Do not use any adapter plugs with earthed (grounded) power tools.** Unmodified plugs and matching outlets will reduce risk of electric shock.
- **Avoid body contact with earthed or grounded surfaces such as pipes, radiators, ranges and refrigerators.** There is an increased risk of electric shock if your body is earthed or grounded.
- **Do not expose power tools to rain or wet conditions.** Water entering a power tool will increase the risk of electric shock.
- **Do not abuse the cord. Never use the cord for carrying, pulling or unplugging the power tool. Keep cord away from heat, oil, sharp edges or moving parts.** Damaged or entangled cords increase the risk of electric shock.
- **Hold the power tool by insulated gripping surfaces only, because the trimmer may contact hidden wiring.** Power tools contacting a "live" wire may make exposed metal parts of the power tool "live" and could give the operator an electric shock.



## Personal Safety

- **Stay alert, watch what you are doing and use common sense when operating a power tool. Do not use a power tool while you are tired or under the influence of drugs, alcohol or medication.** A moment of inattention while operating power tools may result in serious personal injury.
- **Use personal protective equipment. Always wear eye protection.** Protective equipment such as dust mask, non-skid safety shoes, hard hat, or hearing protection used for appropriate conditions will reduce personal injuries.
- **Use personal protective equipment. Always wear long pants and foot protection.**
- **Prevent unintentional starting. Ensure the switch is in the off-position before connecting to power source and/or battery pack, picking up or carrying the tool.** Carrying power tools with your finger on the switch or energizing power tools that have the switch on invites accidents.
- **Remove any adjusting key or wrench before turning the power tool on.** A wrench or a key left attached to a rotating part of the power tool may result in personal injury.

- **Do not overreach. Keep proper footing and balance at all times (Fig. 2).** This enables better control of the power tool in unexpected situations.



- **Dress properly. Do not wear loose clothing or jewelry. Keep your hair, clothing and gloves away from moving parts.** Loose clothes, jewelry or long hair can be caught in moving parts.
- **If devices are provided for the connection of dust extraction and collection facilities, ensure these are connected and properly used.** Use of dust collection can reduce dust-related hazards.
- **Prolonged use of power tools has been reported to cause vascular, muscular, or neurological disorders (such as vibration white finger or Raynaud's syndrome).** To reduce the risk of injury, follow these instructions:
  - Wear gloves and keep hands and body warm.
  - Maintain a firm grip on the trimmer/edger, but do not use prolonged, excessive pressure.
  - Take frequent breaks.

The vibration in normal use can differ from the values stated in the "Specifications and Components" table depending on the material being cut, maintenance of the cutting system, and other factors.

## Power Tool Use and Care

- **Do not force the power tool. Use the correct power tool for your application.** The correct power tool will do the job better and safer at the rate for which it was designed.
- **Do not use the power tool if the switch does not turn it on and off.** Any power tool that cannot be controlled with the switch is dangerous and must be repaired.
- **Disconnect the plug from the power source and/or the battery pack from the power tool before making any adjustments, changing accessories, or storing power tools.** Such preventive safety measures reduce the risk of starting the power tool accidentally.
- **Store idle power tools out of the reach of children and do not allow persons unfamiliar with the power tool or these instructions to operate the power tool.** Power tools are dangerous in the hands of untrained users.
- **Maintain power tools. Check for misalignment or binding of moving parts, breakage of parts and any other condition that may affect the power tool's operation. If damaged, have the power tool repaired before use.** Many accidents are caused by poorly maintained power tools.
- **Keep cutting tools sharp and clean.** Properly maintained cutting tools with sharp cutting edges are less likely to bind and are easier to control.
- **Use the power tool, accessories and tool bits etc. in accordance with these instructions, taking into account the working conditions and the work to be performed.** Use of the power tool for operations different from those intended could result in a hazardous situation.

## Battery Tool Use and Care

- **Recharge only with the charger specified by the manufacturer.** A charger that is suitable for one type of battery pack may create a risk of fire when used with another battery pack.
- **Use power tools only with specifically designated battery packs.** Use of any other battery packs may create a risk of injury and fire.
- **When battery pack is not in use, keep it away from other metal objects, like paper clips, coins, keys, nails, screws or other small metal objects, that can make a connection from one terminal to another.** Shorting the battery terminals together may cause burns or a fire.
- **Under abusive conditions, liquid may be ejected from the battery; avoid contact.** If contact accidentally occurs, flush with water. If liquid contacts eyes, additionally seek medical help. Liquid ejected from the battery may cause irritation or burns.

## Service

**Have your power tool serviced by a qualified repair person using only identical replacement parts.** This will ensure that the safety of the power tool is maintained.

## Trimmer/Edger Safety Warnings



**⚠ WARNING: Contact with moving trimmer line can cause serious personal injury.** Avoid contact with the rotating trimmer line.

**⚠ WARNING: The use of the trimmer/edger without the proper guard or handle provided may result in serious personal injury.** Only use with handle and guard properly assembled to trimmer/edger.

**⚠ CAUTION: Contact with moving parts can cause injury.** Avoid contact with the rotating trimmer head.

**⚠ CAUTION: The line cutting blade on bottom of the guard is sharp.** Do not grasp the line cutting blade when picking up or holding the trimmer/edger.

Other than the wear parts identified in this manual, the trimmer/edger has no user serviceable parts. Service and repair work requires special training. See “Warranty and Service” for contact information.

## Storage, Transporting, and Disposal

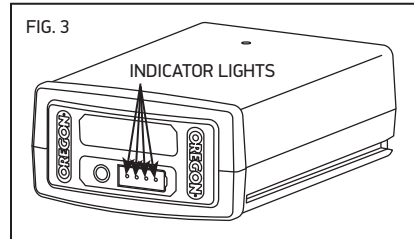
### Storing the Trimmer/Edger

- Remove the battery pack from the trimmer/edger.
- Clean the trimmer/edger thoroughly.
- Store in a dry place.
- Keep out of reach of children or pets.

### Storing the Battery Pack

When storing the battery pack longer than nine months, follow these guidelines:

- Remove the battery pack from the trimmer/edger or charger.
- Store in a cool, dry place.
- Keep out of reach of children or pets.
- To prolong battery life, never store battery packs in a completely discharged condition (with no indicator lights lit) (Fig. 3).



- Store at a temperature between -4°F to 86°F (-20°C to 30°C).



### Storing the Charger

- Remove battery pack from the charger.
- Disconnect charger from power source.
- Store in a dry place.
- Keep out of reach of children or pets.

See “Maintenance and Cleaning” for more information.

### Transporting the Trimmer/Edger

Prepare the trimmer/edger as described in “Storage, Transporting and Disposal” before shipping.

### Transporting the Battery Pack

Observe national regulations when shipping lithium ion batteries. Special package labelling may be required.

### Trimmer/Edger and Charger Disposal

The Oregon® product is designed and manufactured with high quality materials and components which can be recycled and reused. Please dispose of this equipment in an environmentally correct manner at a local community waste collection/recycling center.

### Battery Pack Disposal

Do not dispose of battery pack in household garbage or incinerate. Local waste management and recycling agencies have information on proper recycling or disposal instructions. Battery packs can be collected in the United States or Canada through Rechargeable Battery Recycling Corporation. Oregon® has already paid the costs involved to recycle battery packs. Return end of life battery packs to participating retailer or recycling center. Return locations and more information can be found at [www.call2recycle.org](http://www.call2recycle.org) or 1-800-8BATTERY.



## Battery Safety

**⚠ WARNING: Improper battery care can cause the battery to leak hazardous chemicals, overheat, emit smoke, burst, flare, explode, and/or ignite. Follow these safety rules.**

**⚠ CAUTION: Do not dispose of the battery pack in the household waste or fire. Lithium ion battery packs should be recycled by a local authorized recycler.**

**IMPORTANT: Exposure to excessive heat can cause a loss in performance and/or service life. Do not expose battery pack to excessive heat, such as the interior of a vehicle in hot weather.**

- Do not attempt to recharge a non-rechargeable battery pack.
- Do not disassemble or modify the battery pack. This can damage safety features.
- Do not connect the positive (+) and negative (-) terminals with metal objects or store the battery pack with metal objects such as coins or screws. This can cause short-circuiting and generate enough heat to cause burns.
- Do not incinerate the battery pack or expose to excessive heat. This can melt insulation or damage safety features.
- Do not use, charge, or store near heat higher than 176°F (80°C). This can cause overheating and internal short-circuiting.
- Do not expose to extremely wet conditions. This can damage safety features, cause extremely high current and voltage charging, and lead to abnormal chemical reactions. Use only the charger specifically designed for the battery pack, and follow the safety precautions described in “Charger Safety”. Using another charger can damage safety features, cause extremely high current and voltage charging, and lead to abnormal chemical reactions.

- Do not use Oregon® branded battery packs in non-Oregon® branded tools.
- Do not strike, pierce, or throw the battery pack, and do not use a damaged or deformed battery pack.
- If recharging fails, do not attempt to recharge.
- If the battery pack gives off an odour, generates heat, or is discolored, deformed, or abnormal in any way during use, recharging, or storage, immediately remove from the trimmer/edger or charger.
- Any liquid leaking from the battery is corrosive, can damage eyes and skin, and may be toxic if swallowed.

## Charger Safety

### IMPORTANT SAFETY INSTRUCTIONS

**⚠ WARNING: Risk of electric shock. When used outdoors, install only to a covered “Class A” GFCI protected receptacle that is weatherproof with the power unit connected to the receptacle. If one is not provided, contact a qualified electrician for proper installation. Ensure that the power unit and cord do not interfere with completely closing the receptacle cover.**

**IMPORTANT: This appliance is not intended for use by persons (including children) with reduced physical, sensory or mental capabilities, or lack of knowledge, unless they have been given supervision or instruction by a person responsible for their safety. Children should be supervised to ensure that they do not play with the appliances.**

**IMPORTANT: Use this charger only with the supplied power cord, making sure that the input plug correctly mates to the output receptacle.**

When using electrical products, basic precautions should always be practiced including the following:

- **Read and follow all safety instructions before use.** Read and follow all instructions that are on the product or provided with the product.
- **Save these instructions.**
- **Do not use an extension cord.**
- **Damaged or entangled cords increase the risk of electric shock.** Do not abuse the cord. Never use the cord for carrying, pulling or unplugging the power tool. Keep cord away from heat, oil, sharp edges or moving parts.
- **Do not expose the charger to rain.** For indoor use only.
- **Do not use within 3 m (10 ft) of a pool.**
- **Do not use in a bathroom.**

# Unpacking and Assembly

## Unpacking

### What's in the box?

The trimmer/edger requires some assembly before use. These items ship with the trimmer/edger:

- Trimmer/Edger
- Front handle
- Front handle adjustment knob
- Guard with two (2) attachment screws
- Charger and power cord (if so equipped)
- Battery (if so equipped)

After removing the trimmer/edger from the box, inspect it carefully to ensure no damage has occurred during shipping and that no parts are missing. If any parts are damaged or missing, do not use the trimmer/edger. Contact Oregon® Cordless Tool System to obtain replacement parts at 888.313.8665.

## Assembly



---

**⚠ DANGER: To avoid serious personal injury, do not operate the trimmer/edger without the front handle and guard attached.**

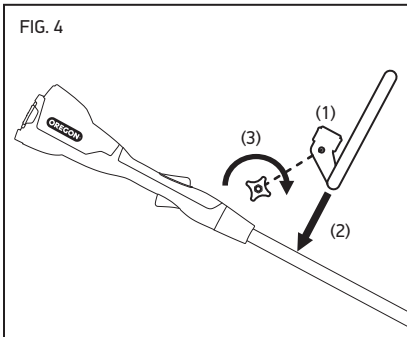
---

**⚠ WARNING: A battery operated tool with the battery pack inserted is always on and can start accidentally. Remove the battery pack from the trimmer/edger before attaching the guard and front handle.**

### Attaching the Front Handle

The front handle fits on the shaft at a comfortable distance between the rear handle and the trimmer motor housing (Fig. 4).

- Grip the front handle near the clamping point (1).
- Snap the front handle onto the shaft so that the clamp is nearest the rear handle (2).
- Insert the front handle adjustment knob through the hole on the front handle (3) and tighten.

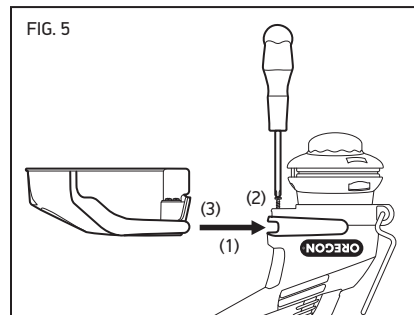


### Attaching the Guard

The guard fits onto the slot on the trimmer motor housing (Fig. 5).

- Turn the trimmer/edger upside down.
- Slide the guard onto the trimmer until it snaps into place (1).
- Tighten the screws on the housing (2) until fully seated to hold the guard in place.
- Make sure that the line cutting blade (3) is attached to the guard to insure that the trimmer/edger functions correctly.

**IMPORTANT: Install the screws to make sure the guard stays in place.**



# Operating the Trimmer/Edger

## Battery Pack and Charger

**⚠ WARNING:** To reduce the risk of shock, do not charge the battery pack in the rain.

### Battery Pack LED Charge-Level Indicator

The lithium ion battery pack is equipped with an LED charge-level indicator. To test the charge level of the battery pack, press the indicator button on the battery pack's face (Fig. 6).

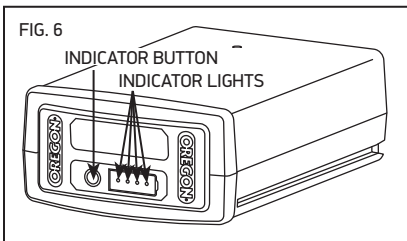
No lights: recharge.

One steady green light:  
less than 25% charged.  
Charge battery pack before use.

Two steady green lights:  
26–50% charged.

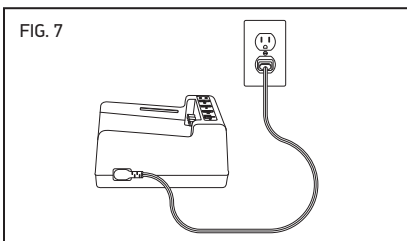
Three steady green lights:  
51–75% charged.

Four steady green lights:  
76–100% charged.



### Connecting the Charger

If the charger includes a separate power cord, connect the charger cord to the charger and to the proper electrical outlet (Fig. 7).



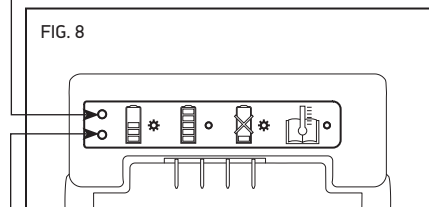
Only use the cord set that was supplied with the charger. At first use, verify that the plug type matches the receptacle.

### Charger LED Charge-State Indicator

The battery charger is equipped with an LED charge-state indicator that indicates the state of charging as well as conditions that may delay or prevent charging (Fig. 8).

Note: Until a battery pack is inserted, no lights will be visible.

- Blinking orange light: a fault condition exists. There are several potential causes. See “Troubleshooting” in this manual.
- Steady orange light: the battery pack temperature is beyond the acceptable range (32°F/0°C to 104°F /40°C). Allow the battery pack to reach the acceptable temperature range before charging. The pack may be left on the charger as the temperature adjusts. Charging will begin when the proper temperature is reached.



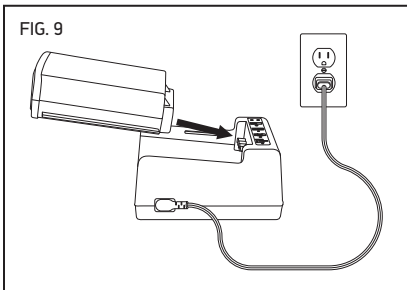
- Blinking green light: battery pack is charging.
- Steady green light: battery pack is ready for use.



### Charging the Battery Pack

**⚠ WARNING: Failure to follow proper charging procedures may cause excessive voltage, excessive current flow, loss of control during charging, leakage of hazardous chemicals, heat generation, bursting, or fire. Follow these charging instructions.**

With the charger cord connected to the charger and plugged into an electrical outlet, align the grooves in the battery with the rails on the charger and slide the battery pack onto the charger until fully seated (Fig. 9).

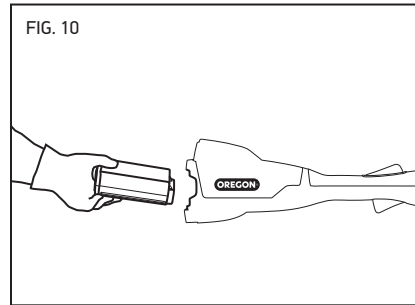


Check the charge-state indicator for charging conditions.

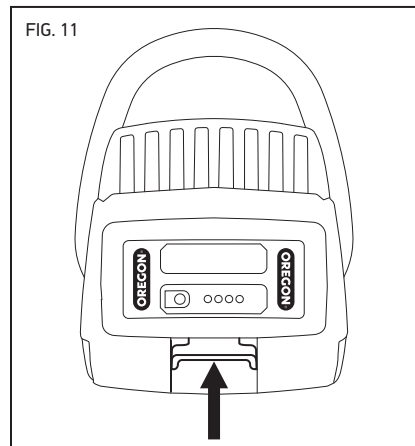
### Inserting and Releasing the Battery Pack

Only use the Oregon® brand battery packs specified in these operating instructions.

Align the groove in the battery with the rails inside the battery port. Firmly insert the battery pack into the trimmer/edger's battery port, pressing forward until it clicks as it locks into place (Fig. 10).



To remove the battery pack, lift up on the battery release, grasp the sides of the battery pack, and remove it (Fig. 11).



## General Operation



**⚠ CAUTION:** To reduce the risk of injury, always wear proper eye and ear protection, long pants, and foot protection.

**IMPORTANT:** Use care around structures, trees, and bushes to avoid damaging paint or bark.

### Operating Temperature

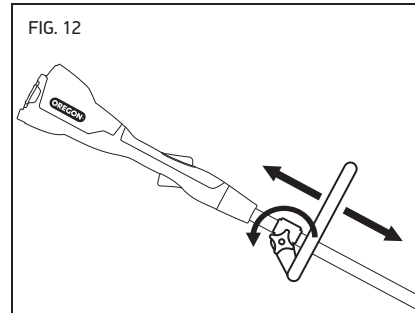
This trimmer/edger is designed to operate within a temperature range of 32°F to 104°F (0°C to 40°C).

**IMPORTANT:** The trimmer/edger is equipped with a temperature sensor that stops the motor to prevent thermal overload damage. If the trimmer/edger stops working suddenly, it might be too hot to continue running. Allow the tool to cool before continued operation. See “Troubleshooting” for more information.

### Grip

The front handle on the trimmer/edger handle is adjustable. You can move the handle forward or backward along the shaft until it is in a comfortable position for trimming, clearing, or edging.

Loosen the adjustment knob until the front handle slides along the shaft, move the handle to a comfortable position, and then tighten the adjustment knob (Fig. 12).



When using the trimmer/edger, grip both the front and rear handles firmly.

### Footing

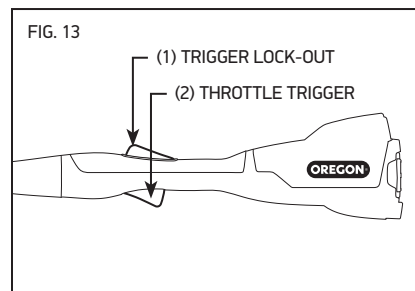
Stand or walk with both feet on solid ground. Do not overreach.

### Stopping the Trimmer/Edger

Release the throttle trigger to stop the trimmer/edger.

### Starting the Trimmer/Edger

Grasp the front and rear handles firmly. Squeeze the trigger lock-out (1), then squeeze the throttle trigger (2) until the trimmer head moves at the desired speed (Fig. 13).



### Controlling Trimmer Head Speed

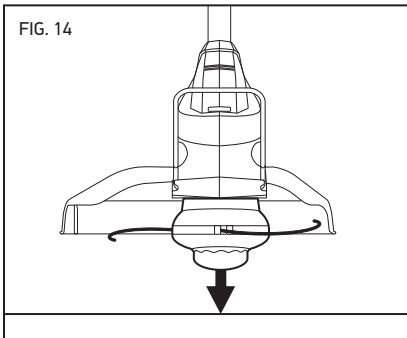
The throttle trigger controls the speed at which the trimmer head turns. Squeeze the throttle trigger more firmly for faster cutting speed.

Use the lowest pressure required to cut the material. This helps to maximize the amount of cutting time per battery charge and reduces the number of charging operations required.

### Advancing Trimmer Line

The GSL disk lasts longer than typical trimmer lines. However, the trimmer line will wear down over time. Advance the line by bumping the head against the ground to get more line out of the disk.

With the motor running and the trimmer head turning, bump the trimmer head on the ground (Fig. 14). More trimmer line comes out of the disk, and excess trimmer line is cut off by the line cutting blade on the bottom of the guard.



If the trimmer line does not come out, the disk may be empty. Turn off the trimmer/edger and replace the disk as described in “Replacing the GSL Disk”.

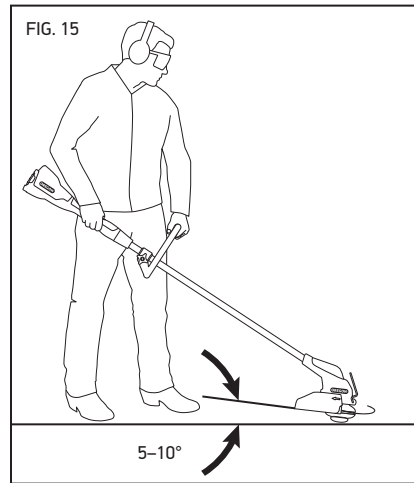
### Trimming



Trimming cuts grass and weeds that are close to walls, fences, and other areas too small to reach with a lawn mower, down to a manageable height but not down to soil level.

Assume proper grip and stance, then start the trimmer. Squeeze the throttle trigger until the trimmer head achieves the minimum speed necessary to cut the grass or weeds.

Angle the trimmer head slightly toward the direction of the cut (Fig. 15).



Push the trimmer head slowly from the side into the grass or weeds to be cut, and move the trimmer head back and forth so that the end of the trimmer line contacts the material to be cut.

Do not allow the trimmer line to touch the ground.

## Edging

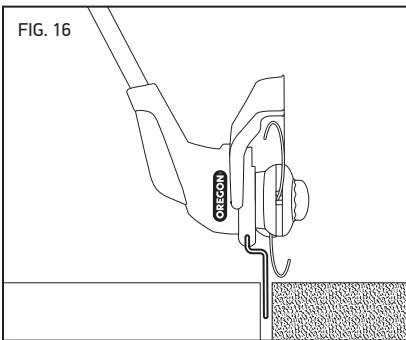


**⚠ CAUTION: To reduce the risk of injury, keep the guard between the operator and the trimmer head.**

Edging maintains an existing border between a lawn and another object such as a sidewalk, pavement, or flower bed. The trimmer/edger is not designed for creating a new hard edge, but is useful for keeping an existing edge clean.

Keep hands away from the throttle trigger, then move the edging guard so that it extends from the trimmer and clicks into place.

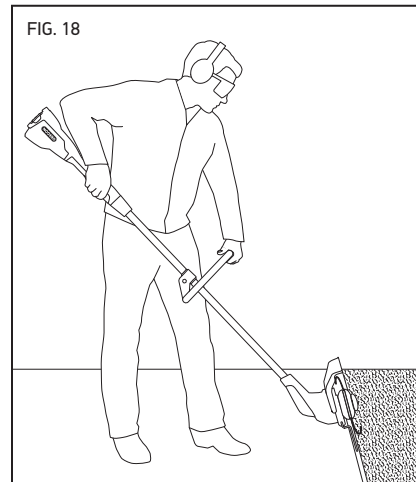
Approach the lawn with the trimmer turned so that the bottom of the trimmer head is pointed toward the side of the lawn and the edging guide is pointed toward the ground. Position the edge guide along the edge of the lawn (Fig. 16).



In tight spaces, such as against a fence or other barrier, it is acceptable to reverse grip on the rear handle and hold the trimmer/edger in a more vertical position (Fig. 17).



For extended periods of edging, it is acceptable to rotate the front handle (Fig. 18). This may provide a more comfortable grip.



# Maintenance and Cleaning

## Trimmer/Edger



**⚠ WARNING:** Failure to identify and replace damaged or worn parts can cause serious personal injury. Inspect the trimmer/edger regularly. Regular inspection is the first step to proper maintenance. Follow the guidelines below to maximize safety and satisfaction. Have any damaged or excessively worn parts replaced immediately.

**⚠ WARNING:** A battery operated tool with the battery pack inserted is always on and can start accidentally. Remove the battery pack from the trimmer/edger before inspecting, cleaning, or performing maintenance.

**CAUTION:** When cleaning the trimmer/edger, do not immerse in water or other liquids.

### Inspect the Trimmer Head

- Make sure the trimmer head is free of cracks or other damage. If it is damaged, replace it. Serious personal injury can result if a damaged trimmer head breaks during use.
- Check that the trimmer head rotates freely and that the trimmer line advances. If the trimmer head fails to rotate freely, see “Correcting Grass Bind”.
- If the trimmer line gets stuck or is tangled, open the GSL head and check the disk. Replace or reinstall the disk as needed.
- Inspect the grass wrap protector to make sure it is not cracked, broken, or loose. If it is damaged, replace it.

### Inspect the Handles

**⚠ WARNING:** Serious personal injury can result if a damaged handle breaks during use. Make sure that both the front and rear handles are clean, dry, and are free of cracks or other damage.

### Inspect Battery Port

Make sure the battery port is clean, dry, and free of debris. Debris in the battery port can prevent a good electrical connection between the battery pack and the trimmer/edger.

### Clean the Trimmer/Edger

- Wipe dust, leaves, and clippings from the trimmer/edger.
- Clear the air vents to ensure proper airflow and prevent overheating.
- Remove grass or weeds wound around the shaft and trimmer head.
- Wipe the trimmer motor housing with a clean cloth moistened with mild soap and water.
- Never use harsh cleaners or solvents.

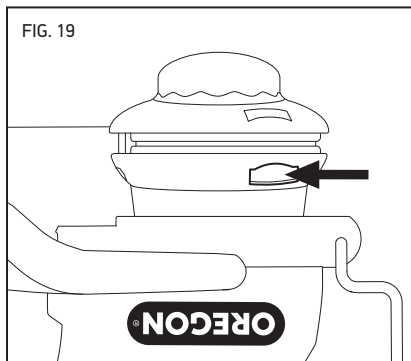
**IMPORTANT:** Keep the vents clear and remove debris wrapped around the trimmer head to help prevent overheating.

## Opening the Gator® Speedload™ (GSL)

**⚠ WARNING: A battery operated tool with the battery pack inserted is always on and can start accidentally. Remove the battery pack from the trimmer/edger before inspecting, cleaning, or performing maintenance.**

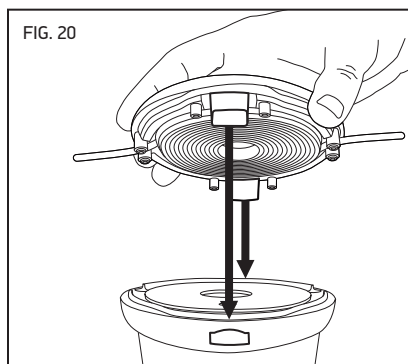
If you detect a problem with the operation of the GSL Cutting System and need to inspect the disk or head, follow these steps to open the GSL head:

- Remove the battery, then place the trimmer/edger upside down.
- Press the GSL head to release the bottom part of the base (Fig. 19).



## Closing the GSL Head

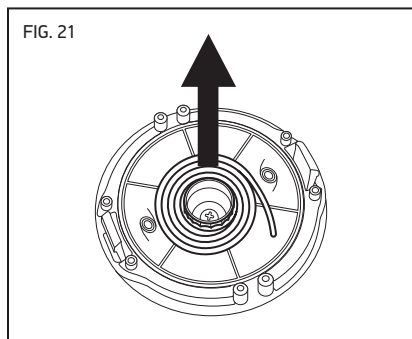
- Check the disk and clear any blockage or replace the disk. See “Replacing the Gator® SpeedLoad™ (GSL)”.
- Remove clippings, dirt, and debris.
- Place GSL head back onto the base and press firmly until it clicks into place (Fig. 20).



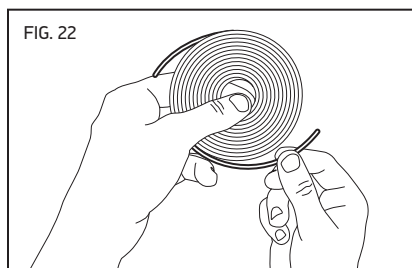
## Replacing the Gator® Speedload™ (GSL)

The trimmer/edger is equipped with the innovative GSL Cutting System. The GSL head contains a disk of trimmer line that is pre-wound and self-contained. The GSL disk lasts longer than typical trimmer line. Removing and replacing a disk is simple.

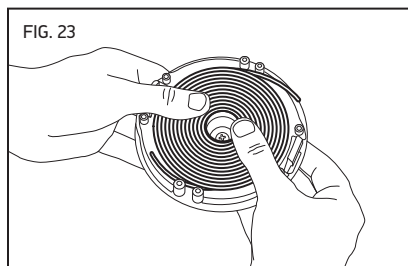
- Pull the head off the base. Pull out the spent disk and discard it (Fig. 21).



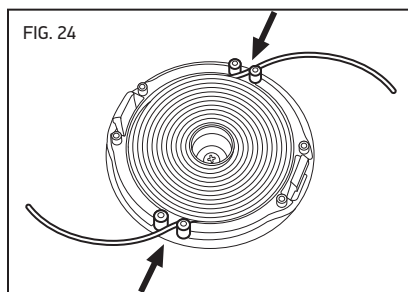
- Peel two separate pieces of trimmer line from opposite sides of the disk. Make sure each piece is pulled away to create a small gap between the peeled trimmer lines and the disk (Fig. 22).



- Place the disk inside the head by lining the disk's centre hole with the hole in the centre of the head. Press the disk firmly into place (Fig. 23).



- Make sure the ends of the trimmer line pieces fit through the two sets of pegs in the head (Fig. 24).



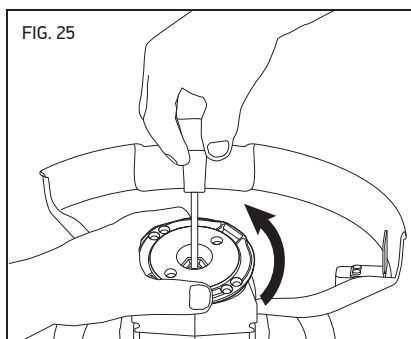
- Place GSL head back onto the base and press firmly until it clicks into place.

The innovative tongue-and-groove disk eliminates the need for threading of trimmer line. Disks last longer than traditional trimming lines.

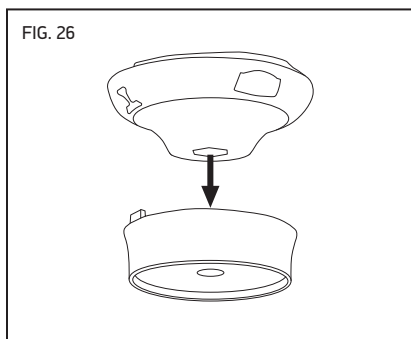
## Removing and Replacing the Gator® Speedload™ (GSL) Head

If the GSL head is cracked or broken, it should be removed and replaced. If there is a build-up of clippings or debris between the head and the guard, it is easier to clean the trimmer/edger if the head is removed first.

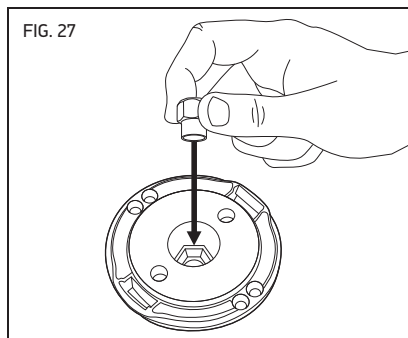
- Remove the battery, then place the trimmer/edger upside down.
- Follow the instructions in “Opening The GSL Head.”
- Use a straight-blade screwdriver to restrain the spindle and rotate the trimmer base counter-clockwise to loosen the center nut (Fig. 25).



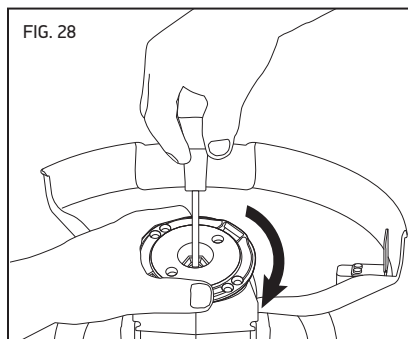
- Pull out the GSL base.
- Remove the grass wrap protector from the trimmer head (Fig. 26).



- Insert the new grass wrap protector.
- To attach a new GSL head, slide the nut into the center opening of the GSL head (Fig. 27).



- Place the GSL head inside the trimmer housing.
- Tighten the nut securely (Fig. 28).



- Follow the instructions in “Loading a New GSL Disk” to place a new disk of trimmer line into the trimmer/edger.
- Close the head.



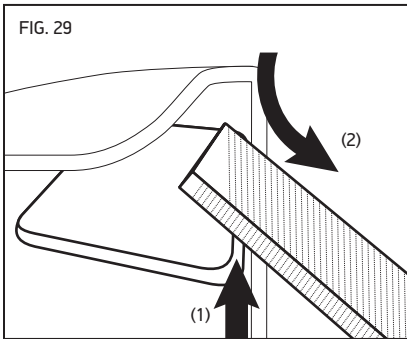
## Sharpening the Line Cutting Blade

It is recommended that an Oregon® Service Dealer sharpen the line cutting blade, but it can also be sharpened by the operator.

Line cutting blade sharpening requires a flat file.

After collecting the file, wear gloves and eye protection and remove the battery.

- Lay the trimmer on its side with the line cutting blade on top and face the bottom of the trimmer head (Fig. 29).
- Place the file against the cutting edge of the line cutting blade (1).
- Push the file down and to the right, removing material from the cutting edge (2).
- Repeat until the line cutting blade is sharp.



## Correcting Grass Bind

**⚠ CAUTION: A battery operated tool with the battery pack inserted is always on and can start accidentally. Always remove the battery before correcting grass bind to avoid accidental activation of the trimmer head.**

Certain types and lengths of grass can sometimes be caught between the trimmer head and the spindle. When this happens, the grass quickly winds around the shaft clogging the space between the shaft and the trimmer head and slowing or stopping the trimmer head rotation. This condition is called grass bind. The trimmer/edger is equipped with a grass wrap protector shroud between the trimmer head and the spindle to help minimize grass bind, but the condition can still occasionally occur.

To correct grass bind:

- Remove the battery.
- Remove the trimmer head.
- Clean all grass or weeds from the spindle. If necessary, cut the grass or weeds free.
- Once the spindle is cleared, replace the trimmer head.

## Battery Pack

**⚠ WARNING: There are no user serviceable parts inside the battery pack. Do not disassemble.**

Lithium ion batteries have a finite operating life. If the amount of cutting time per charge decreases noticeably, the battery pack is at the end of its useful life and should be replaced.

- Make sure the battery pack, including the contacts, is clean, dry, and has no signs of puncture, impact, or other damage. Broken batteries can cause fires or emit hazardous chemicals.
- Clean dirty contacts with a soft, dry cloth. Dirt or oil can cause a poor electrical connection resulting in loss of power.

## Charger

- Unplug the charger from the electrical outlet.
- Clean dirty contacts with a soft, dry cloth.

## Troubleshooting

Use this table to see possible solutions for possible problems with the trimmer/edger. If these suggestions do not solve the problem, see “Warranty and Service”.

SYMPTOM	POSSIBLE CAUSE	RECOMMENDED ACTIONS
Motor does not run or runs intermittently	Battery discharged	Recharge. See “Battery Pack and Charger”.
	Trigger lock-out not pressed	Press the trigger lock-out before squeezing the throttle trigger. See “General Operation”.
	Battery pack not fully inserted	Press the battery pack into the battery port until it clicks into place.
	Battery contacts dirty	Remove the battery pack, remove debris from the battery port, and then clean the contacts with a clean, dry cloth.
	Battery pack cold	Allow the battery pack to warm to the minimum operating temperature of 32°F (0°C).
Motor runs, but trimmer head does not move	Grass wound between shaft and trimmer head	See “Correcting Grass Bind”.
Trimmer/Edger does not cut properly	Grass wound between shaft and trimmer head	See “Correcting Grass Bind”.
	GSL disk empty	See “Replacing the GSL Disk”.
Trimmer line does not feed	GSL disk empty	See “Replacing the GSL Disk”.
	Trimmer line tangled	Remove the GSL disk. See “Replacing the GSL Disk”.
Trimmer line wears out quickly	Higher cutting speed than necessary	Apply less pressure to the throttle trigger.
	Improper cutting technique	Avoid forcing the trimmer head against hard surfaces. Slowly move the trimmer head in until the edge of the trimmer line strikes the grass or weeds.
Trimmer/Edger vibrates excessively during use	GSL head damaged	See “Removing and Replacing the Gator® SpeedLoad™ (GSL) Head”.
	GSL head not attached properly	Remove the GSL head and reinstall, making sure the nut is securely tightened. See “Removing and Replacing the Gator® SpeedLoad™ (GSL) Head”.
	Line cutting blade is dull	See “Sharpening the Line Cutting Blade”.
End of trimmer line is frayed, ragged, or unevenly cut	Line cutting blade is dull	See “Sharpening the Line Cutting Blade”.

SYMPTOM	POSSIBLE CAUSE	RECOMMENDED ACTIONS
Battery pack does not charge	Battery pack over/under temperature protection is activated	This may occur when the trimmer/edger is run continuously or exposed to high ambient temperatures. Allow the battery pack to reach the acceptable temperature range before charging. See "Battery Pack and Charger".
	Dirty or damaged contacts on battery pack or charger	Inspect the contacts on both the battery pack and the charger. Clean as described in "Maintenance and Cleaning", then reinsert into the charger and make sure it is fully seated.
	Battery pack is at the end of its life	All batteries have a limited life. If the battery pack is more than two years old or has been recharged frequently, it may be time to replace it. Replace only with the battery pack specified for this trimmer/edger.
	Charger faulty	Have the function checked at an approved service location.
Low cut time per battery charge	Improper cutting technique	Follow guidelines for the operation you are performing. See "Trimming" or "Edging".
	Higher cutting speed than necessary	Apply less pressure to the throttle trigger.
	Grass wound between shaft and trimmer head	See "Correcting Grass Bind".
	Battery pack not fully charged	See "Battery Pack and Charger".
Blinking orange light on charge state indicator	Charger short circuit, charger over current, over voltage limit, open circuit on battery pack, or charge/pre-charge time out error	<ol style="list-style-type: none"> <li>1. Make sure the charger cord is connected to both the charger and the electrical outlet.</li> <li>2. Make sure the charger is receiving the correct voltage.</li> <li>3. Try charging another battery pack designed for this charger.</li> </ol> <p>If this does not correct the problem, have the function checked at an approved service location.</p>

## Specifications and Components

REPLACEMENT COMPONENTS		PART NUMBER	
Gator® Speedload™ disk		24-280-03	
Battery pack, model B600E		548208	
Battery pack, model B400E		545938	
Charger with cord, model C600		540580	
Rapid charger with cord, model C750		548185	
CHARGER, MODEL C600			
Input	100-240V~ 50-60Hz 60W		
Input (U.S. and Canada only)	120V~ 60Hz 60W		
Output	41.5V=== 1.25A		
Power cord	US/CAN P/N: 546636 EU P/N: 547383 UK P/N: 547384 AU/NZ P/N: 560663		
CHARGER, MODEL C750			
Input	100-240V~ 50-60Hz 260W		
Input (U.S. and Canada only)	120V~ 60Hz 260W		
Output	41V=== 4.6A		
Power cord	US/CAN P/N: 585068 EU P/N: 585069 UK P/N: 585070 AU/NZ P/N: 585073		
BATTERY PACK			
Type	Lithium Ion		
Operating temperatures	32°F TO 104°F (0°C TO 40°C)		
Model	Capacity, nominal	Voltage, nominal	C600 Charge time (approx.)
B600E	4.00 Ah / 144 Wh	+36 VDC	210 minutes
B400E	2.40 Ah / 89 Wh	+37 VDC	120 minutes
TRIMMER/EDGER			
Swath diameter	13 in (320 mm)		
Max line gauge	.080 in (2 mm)		
Weight with B600E	9.4 lb (4.3 kg)		
Weight with B400E	9.9 lb (4.5 kg)		
No load cutting speed	6250 RPM		
Sound power	90 dB L <sub>WA</sub> (K, 0.18 dB)		
Vibration	.95 m/s <sup>2</sup> (K, .11 m/s <sup>2</sup> )		

## Warranty and Service

### Warranty

Blount, Inc. warrants all registered Oregon® Cordless Tools and Chargers for a period of three (3) years and all registered Oregon® Cordless Battery packs for two (2) years from original date of purchase. Registered Oregon® Cordless Tools, Battery Packs and Chargers are warranted for two (2) years if used for commercial purchases. This limited warranty applies to Oregon® Cordless Tools System manufactured products. During the warranty period, Blount will replace or, at its option, repair for the original purchaser only, free of charge, any product or part which is found upon examination by Blount to be defective in material and/or workmanship. The purchaser shall be responsible for all transportation charges and any cost of removing any part submitted for replacement under this warranty.

To register your product, visit the “support” section of **OregonCordless.com**.

### Service and Support Information

Visit us on the web at **OregonCordless.com** for service center information, or contact our customer service department at 888.313.8665 for assistance, additional technical advice, repair, or replacement parts.

For safety, use only genuine factory replacement parts on the power tool. Our service center is staffed with trained personnel to efficiently provide support and assistance with adjustment, repair, or replacement of all Oregon® Cordless Tool System products.



## Table des Matières

Pictogrammes et Étiquettes . . . . .	33
Lexique Relatif aux Taille-Bordures/Coupe-Bordures . . . . .	34
Identification du Produit . . . . .	35
Règles de Sécurité . . . . .	36
Mises en Garde Générales Relatives aux Outils Électriques . . . . .	36
Sécurité dans la Zone de Travail . . . . .	36
Sécurité Électrique . . . . .	36
Sécurité Individuelle . . . . .	37
Utilisation et Entretien d'un Outil Électrique . . . . .	38
Utilisation et Entretien d'un Outil Alimenté par Accus . . . . .	38
Service . . . . .	38
Mises en Garde Relatives aux Taille-Bordures/Coupe-Bordures . . . . .	39
Stockage, Transport et Mise au Rebut . . . . .	39
Sécurité des Accus . . . . .	40
Sécurité du Chargeur . . . . .	41
Déballage et Assemblage . . . . .	42
Déballage . . . . .	42
Assemblage . . . . .	42
Utilisation du Taille-Bordure/Coupe-Bordure . . . . .	44
Batterie et Chargeur d'Accus . . . . .	44
Fonctionnement Général . . . . .	46
Taille d'Entretien . . . . .	47
Bordurage . . . . .	48
Maintenance et Nettoyage . . . . .	49
Taille-Bordure/Coupe-Bordure . . . . .	49
Ouverture du Gator® Speedload™ (GSL) . . . . .	50
Fermeture de la Tête du GSL . . . . .	50
Remplacement du Gator® Speedload™ (GSL) . . . . .	51
Dépose et Remplacement de la Tête du Gator® Speedload™ (GSL) . . . . .	52
Affûtage de la Lame Coupe-Fil . . . . .	53
Suppression d'un Bourrage d'Herbe Coupée . . . . .	53
Batterie d'Accus . . . . .	54
Chargeur . . . . .	54
Dépannage . . . . .	55
Caractéristiques et Composants . . . . .	57
Garantie et Service . . . . .	58



## Pictogrammes et Étiquettes

Ces pictogrammes et étiquettes sont apposés sur le taille-bordure/coupe bordure, les accus et leur chargeur.

PICTOGRAMME	DÉNOMINATION	EXPLICATION
	<b>Construction De Classe II</b>	Désigne les outils de construction à double isolation
	<b>Pictogramme de Mise en Garde</b>	Indique que le texte qui suit explique un danger, un avertissement ou une mise en garde
	<b>Lire les Consignes</b>	Le manuel d'utilisation original contient des consignes de sécurité et d'exploitation importantes. Lisez attentivement ces consignes et respectez-les.
	<b>Port de Lunettes de Protection</b>	Le port de lunettes de protection s'impose lors de tout usage du taille-bordure/coupe-bordure
	<b>Port De Protection Auditive</b>	Le port de protection auditive s'impose lors de tout usage du taille-bordure/coupe-bordure.
	<b>Port de Pantalons Longs</b>	Le port de pantalons longs s'impose lors de tout usage du taille-bordure/coupe-bordure.
	<b>Port de Chaussures de Sécurité</b>	Le port de chaussures de protection s'impose lors de tout usage du taille-bordure/coupe-bordure.
	<b>Pas de Lame de Coupe</b>	Abstenez-vous d'installer des lames de coupe en métal ou en matière plastique.
	<b>Puissance Acoustique</b>	Le niveau de puissance acoustique s'élève à 90 dB.
	<b>Ne Pas Incinérer</b>	Abstenez-vous de toute élimination par le feu.
	<b>Ne Pas Mettre au Rebut</b>	Abstenez-vous de toute mise au rebut avec les ordures ménagères. Confiez cet outil à un recycleur agréé.
	<b>Abstenez-Vous D'exposer Cet Outil à la Pluie</b>	Abstenez-vous d'utiliser le chargeur sous la pluie.
	<b>Exclusivement à Usage Intérieur</b>	Outil exclusivement conçu pour un usage intérieur.
	<b>Température D'exploitation</b>	N'employez la batterie d'accus qu'à une température comprise entre 0 °C et 40 °C (32 °F et 104 °F).
	<b>Déposer la Batterie D'accus</b>	Retirez la batterie d'accus avant de procéder à toute opération de maintenance.

## Lexique Relatif aux Taille-Bordures/Coupe-Bordures

**Zone de protection des personnes :** Cercle de 6 m (20 pieds) de rayon décrit autour de l'opérateur et dont la surface, ne présente aucun risque de trébuchement, doit rester libre de tout passant, spectateur, enfant et/ou animal domestique.

**Vitesse de coupe :** Ce taille-bordure/coupe-bordure se distingue par la variabilité de sa vitesse de coupe. Pour augmenter la vitesse de coupe, appuyez plus fermement sur la commande d'accélérateur. Pour maximiser le temps de coupe par charge, n'utilisez que la vitesse de coupe minimale requise pour obtenir les coupes voulues.

**Bordurage :** Processus consistant à utiliser le taille-bordure/coupe-bordure pour maintenir une ligne de démarcation nette entre pelouse et sentier, trottoir, massif de fleurs ou autre objet.

**Guide de bordurage :** Composant en métal débordant du taille-bordure et contribuant à contrôler la position de la tête de coupe pendant le bordurage.

**Poignée avant :** Poignée de soutien située dans la région médiane du manche.

**Dispositif de protection antibourrage :** Le couvercle en matière plastique monté entre la tête de coupe et le carter de protection contribue à prévenir tout bourrage d'herbe coupée.

**Carter de protection :** Écran conçu pour mettre l'opérateur à l'abri de la tête de coupe.

**Lame coupe-fil :** Lame montée au-dessous du carter de protection et visant à limiter la longueur du fil de coupe.

**Boîtier du moteur :** Carter en matière plastique monté à l'extrémité inférieure du manche et assurant la jonction entre le carter de protection et la tête de coupe.

**Unité motrice :** Ensemble monté à l'extrémité supérieure du manche et dans lequel s'emboîte la batterie d'accus.

**Poignée arrière :** Poignée de soutien située dans la région arrière du taille-bordure/coupe-bordure, à la hauteur de la commande d'accélérateur.

**Manche :** Élément long monté entre l'unité motrice et le boîtier du moteur.

**Broche :** Pièce dépassant du boîtier moteur et assurant la jonction entre la tête de coupe et le taille-bordure/coupe-bordure.

**Commande d'accélérateur :** Dispositif permettant de contrôler la vitesse de la tête de coupe.

**Tête de coupe :** Ensemble mobile monté à l'extrémité inférieure du manche, sous le carter de protection.

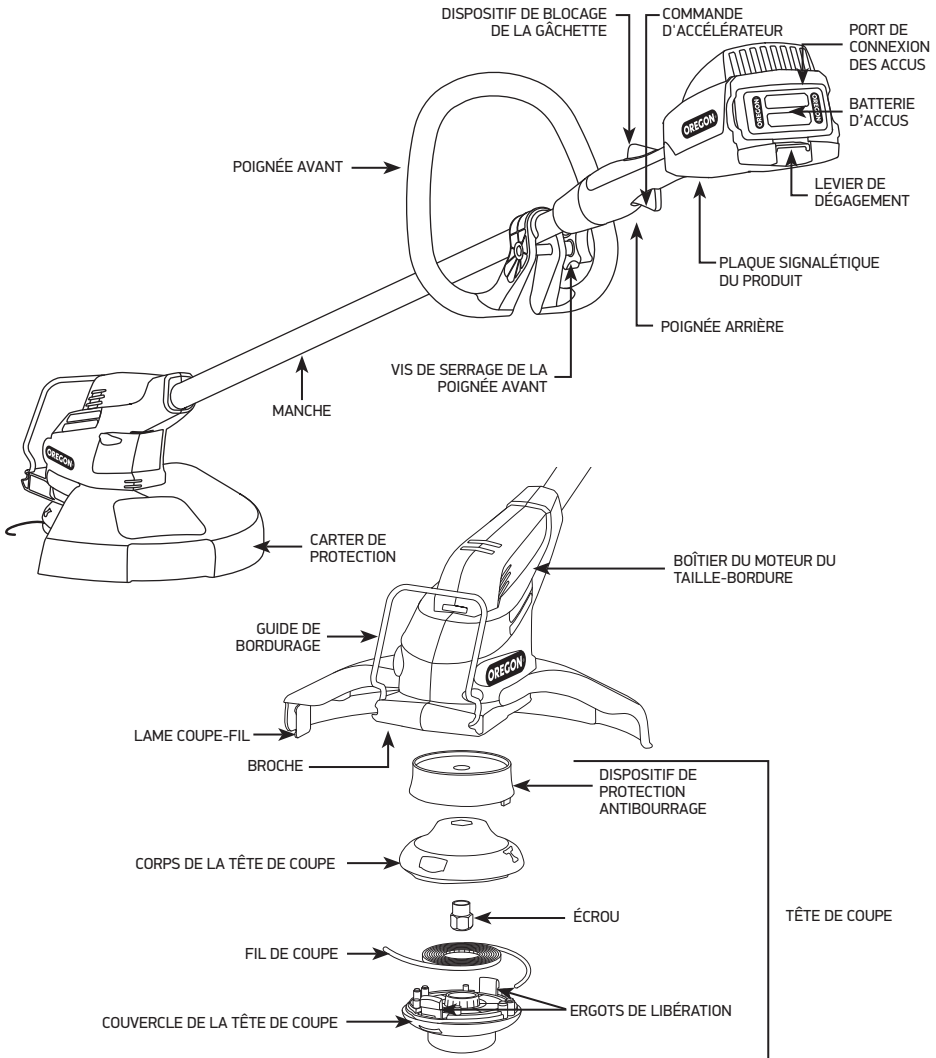
**Taille d'entretien :** Processus consistant à utiliser le taille-bordure/coupe-bordure pour ramener l'herbe ou le gazon à une hauteur raisonnable.

**Dispositif de blocage de la gâchette :** Verrou mobile interdisant tout actionnement involontaire du taille-bordure/coupe-bordure tant que personne ne l'aura déverrouillé.

**Pièces d'usure :** Pièces telles que la tête de coupe et le fil de coupe susceptibles d'être changées par l'utilisateur en raison de leur usure en cours d'exploitation.

# Identification du Produit

## Familiarisez-vous avec votre taille-bordure/cope-bordure



**⚠ DANGER : L'utilisation d'accessoires à lame sur ce taille-bordure/cope-bordure risque d'occasionner des lésions corporelles graves.** Abstenez-vous de monter quelque lame de coupe en métal ou en plastique que ce soit sur ce taille-bordure/cope-bordure. Servez-vous exclusivement d'un fil de coupe en nylon.



**REMARQUE :** Reportez-vous au chapitre « Déballage » pour consulter une liste des éléments inclus.

## Introduction

Ce taille-bordure/coupe-bordure est conçu pour la taille d'entretien des pelouses et gazons au moyen de fil de coupe flexible en nylon. Cet outil n'est conçu ni pour l'éclaircie de taillis ni pour l'utilisation d'accessoires de coupe en métal. Tout autre usage que ceux mentionnés est à déconseiller. La conception de ce produit repose sur l'utilisation de la technologie de pointe existante en matière de sécurité. Néanmoins, l'existence de risques résiduels tels que la projection d'objets est avérée en dépit du recours à cette technologie. L'opérateur est invité à prendre connaissance de toutes les mesures de sécurité et à les respecter scrupuleusement afin de réduire l'importance des lésions potentielles associées à ces risques.

## Règles de Sécurité

### Mises en Garde Générales Relatives aux Outils Électriques

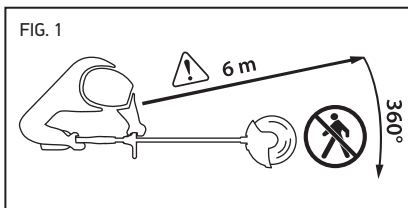
**⚠ AVERTISSEMENT : Prenez connaissance de tous les avertissements et consignes de sécurité.** L'inobservation de ces avertissements et consignes comporte des risques d'électrocution, d'incendie et/ou de lésions graves.



**Rangez ces avertissements et consignes en lieu sûr aux fins de consultation ultérieure.** L'expression « Outil Électrique » mentionnée dans les avertissements fait référence à votre outil électrique (filaire) à alimentation secteur ou à votre outil électrique (sans fil) à alimentation par accus.

### Sécurité dans la Zone de Travail

- **Veillez à ce que la zone de travail soit propre et bien éclairée.** Les zones de travail encombrées ou sombres sont propices aux accidents.
- **Abstenez-vous d'utiliser quelque outil électrique que ce soit dans des atmosphères explosives telles que celles que l'on rencontre en présence de liquides, gaz ou poussières inflammables.** Les outils électriques produisent des étincelles susceptibles de mettre feu aux poussières ou émanations inflammables.
- **Maintenez les enfants, spectateurs et passants à distance lors de toute utilisation d'un outil électrique (Fig. 1).** Toute inattention risque de vous faire perdre le contrôle de l'outil.



**⚠ MISE EN GARDE : Délimitez une zone de protection des personnes de 6 m (20 pieds) avant toute utilisation de cet équipement.** Cette zone de sécurité se définit comme un cercle de 6 m (20 pieds) de rayon décrit autour de l'opérateur et dont l'aire doit demeurer libre de tout passant, spectateur, enfant et/ou animal domestique.

### Sécurité Électrique

- **Toute fiche de raccordement d'un outil électrique doit être compatible avec la prise d'alimentation envisagée. N'apportez aucune modification à la fiche de raccordement. Abstenez-vous d'utiliser quelque fiche d'adaptation que ce soit avec des outils électriques mis à la masse ou à la terre.** L'utilisation de fiches intactes et de prises d'alimentation compatibles réduit les risques d'électrocution.
- **Évitez tout contact physique avec des surfaces mises à la masse ou à la terre telles que les tuyauteries, radiateurs, cuisinières et réfrigérateurs.** Le risque d'électrocution est plus important en cas de mise à la masse ou à la terre de votre organisme.
- **Abstenez-vous d'exposer les outils électriques aux intempéries ou à l'humidité.** L'infiltration d'eau dans un outil électrique augmente le risque d'électrocution.
- **Ne malmenez pas le cordon d'alimentation secteur. Abstenez-vous de l'utiliser pour transporter, tirer ou débrancher l'outil électrique. Maintenez ce cordon à l'écart des sources de chaleur, huiles, arêtes vives ou pièces en mouvement.** Un cordon d'alimentation endommagé ou enchevêtré augmente le risque d'électrocution.

- **Ne vous saisissez de cet outil électrique que par ses surfaces de prise isolées parce qu'il risque d'entrer en contact avec des câbles dissimulés.** L'entrée en contact de tout outil électrique avec un conducteur sous tension est susceptible de s'accompagner du transfert de charges électriques vers certaines pièces métalliques exposées, au risque d'électrocuter l'opérateur.

## Sécurité Individuelle

- **Restez vigilant, concentrez-vous sur votre travail et faites preuve de bon sens lorsque vous vous servez d'un outil électrique. N'utilisez aucun outil électrique si vous êtes fatigué ou sous l'emprise d'un stupéfiant, de l'alcool ou de médicaments.** Lors de tout usage d'un outil électrique, un moment d'inattention suffit pour occasionner des lésions sérieuses.
- **Munissez-vous d'un équipement de protection individuelle.** Le port de lunettes de protection s'impose en toutes circonstances. Le port adéquat d'équipements de protection tels qu'un masque antipoussières, des chaussures de sécurité antidérapantes, un casque de protection ou une protection auditive contribue à réduire les risques de lésions corporelles.
- **Munissez-vous d'un équipement de protection individuelle. Le port de pantalons longs et de chaussures de sécurité s'impose.**
- **Évitez toute mise en marche involontaire. Assurez-vous que le commutateur occupe sa position d'arrêt avant tout raccordement à l'alimentation secteur et/ou à la batterie d'accus ainsi qu'avant de vous saisir de cet outil ou de le transporter.** Le transport d'outils électriques le doigt sur le commutateur ou leur mise sous tension alors que le commutateur occupe sa position de marche accroît les risques d'accident.
- **Pensez à retirer toute clé de réglage ou autre dispositif avant de mettre l'outil électrique en marche.** Toute clé de réglage ou autre dispositif en prise sur une pièce mobile de l'outil électrique risque d'occasionner des lésions corporelles.

- **Ne travaillez pas en position d'extension excessive. Veillez en toutes circonstances à prendre appui sur les deux pieds et à maintenir votre corps en équilibre (Fig. 2).** Ainsi, vous serez mieux à même de conserver la maîtrise de l'outil électrique en cas d'imprévu.



- **Veillez à revêtir une tenue appropriée. Évitez le port de vêtements amples et/ou de bijoux. Maintenez vos cheveux, vêtements et/ou gants à l'écart de toute pièce en mouvement.** Les vêtements amples, bijoux ou cheveux longs risquent d'être happés par des pièces en mouvement.
- **Si l'outil électrique est conçu pour être raccordé à l'un ou l'autre dispositif de dépoussiérage, veillez à monter et à utiliser correctement ce dernier.** L'utilisation d'un dispositif de dépoussiérage est susceptible de réduire les risques associés à la poussière.
- **D'aucuns ont rapporté que l'utilisation prolongée d'outils électriques pouvait provoquer des troubles vasculaires, musculaires ou neurologiques (tels qu'un doigt blanc ou syndrome de Raynaud induit par des vibrations).** Pour réduire les risques de lésion, respectez les consignes qui suivent :
  - Enfilez une paire de gants et gardez vos mains et votre corps au chaud.
  - Maintenez une prise ferme sur votre taille-bordure/cope-bordure, mais sans exercer aucune pression excessive et prolongée.
  - Accordez-vous des pauses fréquentes.

Les vibrations émises dans des conditions normales d'utilisation sont susceptibles de différer des valeurs indiquées dans le tableau « Caractéristiques et Composants » en fonction du matériau coupé, de la maintenance du système de coupe et d'autres facteurs.

## Utilisation et Entretien d'un Outil Électrique

- **Abstenez-vous d'imposer toute contrainte excessive à l'outil électrique.** Servez-vous systématiquement d'un outil adapté à votre application. L'outil électrique approprié accomplira parfaitement sa tâche en toute sécurité à la vitesse pour laquelle il a été conçu.
- **Abstenez-vous d'utiliser cet outil électrique si le commutateur marche/arrêt ne fonctionne pas.** Tout outil électrique qui échappe au contrôle du commutateur marche/arrêt est dangereux et doit être réparé.
- **Débranchez la fiche de raccordement de la prise d'alimentation et/ou déconnectez la batterie d'accus de l'outil électrique avant de procéder à quelque réglage que ce soit, à un changement d'accessoire ou au rangement de l'outil.** De telles mesures de sécurité préventive réduisent le risque de mise en marche fortuite de l'outil électrique.
- **Rangez tout outil électrique dans sa position de repos, hors de la portée des enfants et empêchez toute personne qui n'aurait pas pris connaissance de ces consignes ou serait inexpérimentée dans son maniement de l'utiliser.** Laissés entre les mains d'utilisateurs inexpérimentés, les outils électriques sont dangereux.
- **Veillez à la maintenance des outils électriques. Assurez-vous de l'absence de désalignement ou de grippage des pièces en mouvement, assurez-vous de l'absence de rupture ou de tout autre phénomène susceptible de nuire au bon fonctionnement de l'outil électrique. Si l'outil électrique est endommagé, faites-le réparer avant de le réutiliser.** De nombreux accidents sont imputables à des outils électriques mal entretenus.
- **Assurez-vous de l'affûtage et de la propreté des outils de coupe.** Un accessoire de coupe bien aiguisé aura moins tendance à se coincer et rendra l'outil plus aisé à contrôler.
- **Servez-vous de cet outil électrique, de ses accessoires et de ses embouts conformément à ces consignes et à l'usage pour lequel il a été conçu en tenant compte des conditions de travail et de la tâche à effectuer.** Toute affectation de cet outil électrique à d'autres usages que ceux pour lesquels il a été conçu est dangereuse.

## Utilisation et Entretien d'un Outil Alimenté par Accus

- **Rechargez les accus en vous servant exclusivement du chargeur préconisé par le fabricant.** L'utilisation d'un chargeur destiné à une batterie d'accus spécifique autre que celle de l'outil électrique considéré comporte un risque d'incendie.
- **Ne vous servez d'outils électriques qu'avec une batterie d'accus spécialement conçue pour ceux-ci.** L'utilisation de toute autre batterie d'accus comporte un risque de lésion et d'incendie.
- **En dehors des périodes d'utilisation, maintenez la batterie d'accus à l'écart d'objets métalliques tels que des trombones, pièces de monnaie, clés, clous, vis et autres petits objets métalliques susceptibles d'en court-circuiter les bornes.** Tout court-circuitage des bornes des accus comporte un risque d'incendie et de brûlures.
- **Dans des conditions d'utilisation non conformes, un liquide risque de s'écouler des accus ; évitez tout contact.** En cas de contact accidentel, rincez les parties atteintes à grande eau. En cas de contact oculaire, consultez en outre un médecin. Le liquide qui s'échappe des accus est susceptible de provoquer des irritations et/ou brûlures.

## Service

**Faites réparer votre outil électrique par un réparateur qualifié utilisant uniquement des pièces de rechange identiques.** Cela garantira que la sécurité de l'outil est maintenue.

## Mises en Garde Relatives aux Taille-Bordures/Coupe-Bordures



**⚠ AVERTISSEMENT : Tout contact avec un fil de coupe en mouvement risque d'occasionner des lésions corporelles graves.** Évitez tout contact avec le fil de coupe en mouvement.

**⚠ AVERTISSEMENT : L'utilisation de ce taille-bordure/coupe-bordure sans carter de protection ou poignée adéquate risque d'occasionner des lésions corporelles graves.** Ne vous servez de cet outil que si son carter de protection et sa poignée sont correctement montés.

**⚠ MISE EN GARDE : Tout contact avec des pièces en mouvement risque d'occasionner des lésions corporelles.** Évitez tout contact avec la tête de coupe en mouvement.

**⚠ MISE EN GARDE : La lame coupe-fil montée au-dessous du carter de protection est acérée.** Ne vous saisissez pas de la lame coupe-fil lorsque vous ramassez ou soutenez ce taille-bordure/coupe-bordure.

Hormis les pièces d'usure identifiées dans le présent manuel, ce taille-bordure/coupe-bordure est dépourvu d'autres pièces dont l'utilisateur pourrait assurer la maintenance. Les travaux de maintenance et de réparation exigent une formation particulière. Pour consulter les coordonnées de techniciens certifiés, reportez-vous au chapitre « Garantie et Services ».

## Stockage, Transport et Mise au Rebut

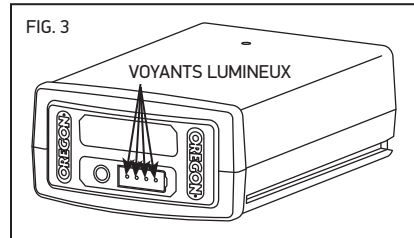
### Stockage de Votre Taille-Bordure/Coupe-Bordure

- Retirez la batterie d'accus du taille-bordure/coupe-bordure.
- Nettoyez à fond le taille-bordure/coupe-bordure.
- Rangez-le dans un lieu sec.
- Rangez-le hors de la portée des enfants et animaux de compagnie.

### Stockage de la Batterie d'Accus

En cas de stockage de la batterie d'accus pendant plus de neuf mois, il convient de respecter les indications suivantes :

- Retirez la batterie d'accus du chargeur ou du taille-bordure/coupe-bordure.
- Rangez celle-ci dans un lieu sec.
- Rangez-la hors de la portée des enfants et animaux de compagnie.
- Pour accroître la longévité des accus, il faut veiller à ne jamais les entreposer dans un état de décharge complète (tous voyants lumineux éteints) (Fig. 3).



- Stockez cette batterie d'accus à une température comprise entre 20 °C et 30 °C ( 4 °F et 86 °F).



### Stockage du Chargeur

- Retirez la batterie d'accus du chargeur.
- Débranchez le chargeur de la prise d'alimentation secteur.
- Rangez-le dans un lieu sec.
- Rangez-le hors de la portée des enfants et animaux de compagnie.

Pour plus d'informations, reportez-vous au chapitre « Maintenance et Nettoyage ».

### Transport de Votre Taille-Bordure/Coupe-Bordure

Préparez votre taille-bordure/coupe-bordure comme décrit au chapitre « Stockage, Transport et Mise au Rebut » avant expédition.

### Transport de la Batterie d'Accus

Respectez les réglementations nationales en vigueur lors de l'expédition d'accus au lithium-ion. Un étiquetage spécial pourrait s'avérer nécessaire.

### Mise au Rebut du Taille-Bordure/Coupe Bordure et du Chargeur

Le produit Oregon® est conçu et fabriqué avec des matériaux et des composants de haute qualité qui peuvent être recyclés et réutilisés. Veuillez vous débarrasser de cet équipement en respectant l'environnement, dans un centre de collecte/recyclage des déchets local.

### Mise au Rebut du Bloc de Batterie

Ne pas incinérer ni jeter les batteries au lithium-ion dans les ordures ménagères. Les organismes locaux de récupération et de recyclage connaissent les moyens d'élimination et de recyclage adéquats. Les batteries peuvent être récupérées aux États-Unis et au Canada par Rechargeable Battery Recycling Corporation. Oregon® a déjà défrayé le coût de recyclage de vos batteries. Rapporter vos batteries épuisées aux détaillants participant au programme ou à votre centre de recyclage. La liste des sites de récupération et d'autres renseignements sont affichés à [www.call2recycle.org](http://www.call2recycle.org) ou encore vous pouvez composer le 1-800-8BATTERY.



### Sécurité des Accus

**⚠ AVERTISSEMENT : Toute gestion inadéquate des accus risque d'entraîner le suintement de produits chimiques dangereux, l'émission de fumées ainsi que la surchauffe, la fissuration, l'éclatement, l'explosion et/ou l'inflammation des accus. Veuillez respecter ces règles de sécurité.**

**⚠ MISE EN GARDE : Abstenez-vous de toute mise au rebut de cette batterie d'accus avec les ordures ménagères. Le recyclage des batteries d'accus au lithium-ion doit être confié à un recycleur agréé.**

**IMPORTANT : Toute exposition des accus à une chaleur excessive risque d'entraîner une baisse de leur niveau de performances et/ou de leur durée de vie utile. Abstenez-vous d'exposer cette batterie d'accus à une chaleur excessive telle que celle susceptible de régner dans l'habitacle d'un véhicule par temps chaud.**

- Abstenez-vous de toute tentative de recharge d'un jeu de piles non rechargeables.
- Abstenez-vous de désassembler ou de modifier la batterie d'accus. Un tel désassemblage pourrait en compromettre le dispositif de sécurité.
- Abstenez-vous de mettre les bornes positives (+) et négatives (-) des accus en contact avec des objets métalliques ou d'en entreposer la batterie avec des objets en métal tels que des pièces ou des vis. Leur présence risque de provoquer des courts-circuits et de générer une chaleur suffisante pour occasionner des brûlures.
- Abstenez-vous d'incinérer cette batterie d'accus ou de l'exposer à une chaleur excessive. Toute exposition de cette nature risque d'en faire fondre l'isolation ou d'en compromettre le dispositif de sécurité.
- Abstenez-vous d'utiliser, de recharger ou d'entreposer ces accus à proximité d'une source de chaleur dont la température est supérieure à 80 °C (176 °F). Toute exposition de cette nature risque de provoquer une surchauffe et un court-circuit interne.
- Abstenez-vous d'exposer cette batterie d'accus à des conditions d'humidité extrêmes. Un taux d'humidité élevé risque d'endommager le dispositif de sécurité, d'entraîner l'apparition d'un courant de charge dont l'intensité et la tension extrêmement élevées sont susceptibles de provoquer des réactions chimiques anormales. Servez-vous exclusivement du chargeur spécialement conçu pour cette batterie d'accus et respectez les



mesures de sécurité décrites au chapitre « Sécurité du Chargeur ». L'utilisation d'un autre chargeur risque d'endommager le dispositif de sécurité, d'entraîner l'apparition d'un courant de charge dont l'intensité et la tension extrêmement élevées sont susceptibles de provoquer des réactions chimiques anormales.

- Abstenez-vous d'utiliser toute batterie d'accus de marque Oregon® pour alimenter des outils d'une autre marque.
- Abstenez-vous de heurter, percer ou jeter cette batterie d'accus ainsi que de l'utiliser si elle est endommagée ou déformée.
- En cas d'échec de leur recharge, abstenez-vous de procéder à toute nouvelle tentative.
- Si la batterie d'accus dégage une odeur, génère de la chaleur, présente toute décoloration, déformation ou aspect anormal en cours d'utilisation, de recharge ou d'entreposage, retirez-la immédiatement de son chargeur ou du taille-bordure/coupe-bordure.
- Tout liquide s'échappant des accus est corrosif, susceptible de provoquer des lésions oculaires et cutanées et de s'avérer toxique en cas d'ingestion.

## Sécurité du Chargeur

### CONSIGNES DE SÉCURITÉ IMPORTANTES

**⚠ AVERTISSEMENT : Risque d'électrocution.**  
En cas d'utilisation à l'extérieur, ne branchez cet équipement que sur une prise couverte protégée par un disjoncteur de fuite à la terre de « Classe A » et à l'épreuve des intempéries lorsque l'unité motrice est raccordée. Si vous ne disposez pas d'une telle prise, prenez contact avec un électricien compétent pour qu'il procède à une installation correcte. Assurez-vous que ni l'unité motrice ni le cordon d'alimentation n'entravent la fermeture complète du couvercle de protection de la prise.

**IMPORTANT :** Cet équipement n'est conçu pour être utilisé ni par des personnes (y compris les enfants) dont les aptitudes physiques, sensorielles ou mentales sont réduites ni par des personnes dénuées d'expérience ou de compétences, sauf si elles ont pu bénéficier, par l'intermédiaire d'une personne responsable de leur sécurité, d'une supervision ou d'une formation préalable. Il convient de surveiller les enfants pour s'assurer qu'ils ne jouent pas avec de tels appareils.

**IMPORTANT : Ne vous servez de ce chargeur qu'avec le cordon d'alimentation fourni en vous assurant que la fiche de raccordement est compatible avec la prise d'alimentation secteur.**

Lors de l'utilisation d'appareils électriques, prenez systématiquement les précautions qui s'imposent, y compris celles qui suivent :

- **Prenez connaissance de toutes les consignes de sécurité avant usage.** Lisez et respectez toutes les consignes mentionnées sur le produit concerné ou accompagnant celui-ci.
- **Rangez ces consignes en lieu sûr.**
- **N'utilisez aucune rallonge.**
- **Un cordon d'alimentation endommagé ou enchevêtré augmente le risque d'électrocution.** Ne malmenez pas le cordon d'alimentation secteur. Abstenez-vous de l'utiliser pour transporter, tirer ou débrancher l'outil électrique. Maintenez ce cordon à l'écart des sources de chaleur, huiles, arêtes vives ou pièces en mouvement.
- **Abstenez-vous d'exposer le chargeur aux intempéries.** À usage intérieur uniquement.
- **Abstenez-vous de toute utilisation à moins de 3 m (10 pieds) d'un étang ou bassin.**
- **Abstenez-vous de toute utilisation dans une salle de bains.**

# Déballage et Assemblage

## Déballage

### Contenu de la Boîte

Ce taille-bordure/cope-bordure nécessite l'exécution de quelques opérations d'assemblage avant usage. Les éléments qui suivent sont livrés avec ce taille-bordure/cope-bordure :

- Taille-bordure/cope-bordure
- Poignée avant
- Bouton d'ajustement de la poignée avant
- Carénage avec deux (2) vis de fixation
- Chargeur et cordon d'alimentation (le cas échéant)
- Batterie d'accus (le cas échéant)

Après avoir retiré le taille-bordure/cope bordure de la boîte, examinez-le avec attention pour vous assurer qu'il n'a subi aucun dommage pendant le transport et qu'aucune pièce ne manque. Si des pièces sont manquantes ou endommagées, n'utilisez pas le taille-bordure/cope bordure. Afin d'obtenir des pièces de rechange, communiquez avec Oregon® Cordless Tool System en appelant le 888-313-8665.

## Assemblage




---

**⚠ DANGER : Pour prévenir toute lésion corporelle grave, abstenez-vous d'utiliser ce taille-bordure/cope-bordure sans avoir préalablement procédé à l'assemblage correct des éléments suivants : poignée avant et carter de protection.**

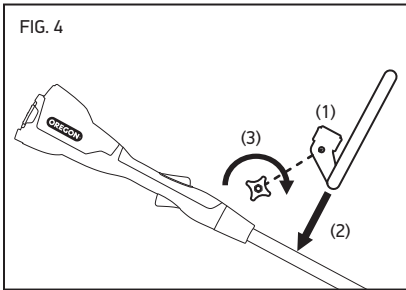
---

**⚠ AVERTISSEMENT : Tout outil électrique dont la batterie d'accus est insérée dans son logement sera toujours sous tension, au risque de se mettre en marche accidentellement. Retirez la batterie d'accus de son logement avant de monter le carter de protection et la poignée avant de ce taille-bordure/cope-bordure.**

### Fixation de la Poignée Avant

La poignée avant se monte sur le manche télescopique entre la poignée arrière et le boîtier du moteur à une distance appréciable de ce dernier (Fig. 4).

- Saisissez-vous de la poignée avant à proximité du point de serrage (1).
- Enfourchez la poignée avant sur le manche de telle sorte que l'attache soit la plus proche possible de la poignée arrière (2).
- Introduisez le goujon du bouton d'ajustement de la poignée avant dans l'orifice que présente cette dernière (3), puis serrez.

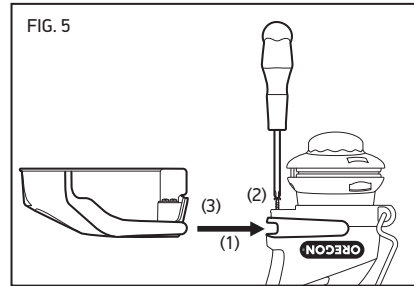


### Fixation du Carter de Protection

Le carter de protection se monte sur la gorge que présente le boîtier du moteur du taille-bordure (Fig. 5).

- Retournez le taille-bordure/coupe-bordure.
- Faites coulisser le carter de protection dans cette gorge jusqu'à ce qu'il s'encliquète (1).
- Serrez à fond les vis de fixation au boîtier (2) afin d'immobiliser le carter de protection.
- Assurez-vous que la lame coupe-fil (3) est solidaire du carter de protection pour avoir la certitude que le taille-bordure/coupe bordure fonctionne correctement.

**IMPORTANT : Serrez les vis pour être sûr de l'immobilisation du carter de protection.**



# Utilisation du Taille-Bordure/Coupe-Bordure

## Batterie et Chargeur d'Accus

**⚠ AVERTISSEMENT : Pour réduire les risques d'électrocution, abstenez-vous de recharger les accus sous la pluie.**

### Indicateur à DEL du Niveau de Charge des Accus

La batterie d'accus au lithium-ion est équipée d'un indicateur à DEL du niveau de charge. Pour tester le niveau de charge de la batterie d'accus, appuyez sur le bouton indicateur que présente la face avant de la batterie d'accus (Fig. 6).

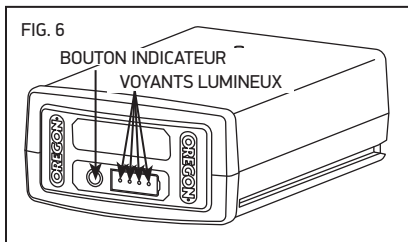
Voyants éteints : recharge indispensable.

Un voyant vert allumé en continu : charge inférieure à 25 %. Rechargez la batterie d'accus avant tout usage.

Deux voyants verts allumés en continu : charge comprise entre 26 et 50 %.

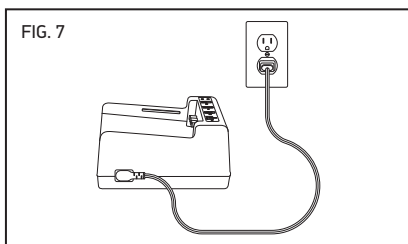
Trois voyants verts allumés en continu : charge comprise entre 51 et 75 %.

Quatre voyants verts allumés en continu : charge comprise entre 76 et 100 %.



### Raccordement du Chargeur

Si le chargeur comprend un cordon d'alimentation séparé, raccordez-le au chargeur et branchez-le sur une prise d'alimentation secteur appropriée (Fig. 7).



Servez-vous exclusivement du cordon amovible fourni avec le chargeur. Lors de la première utilisation de ce cordon, assurez-vous que la fiche est compatible avec la prise d'alimentation.

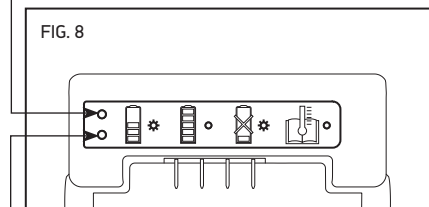
### Indicateur à DEL de l'État de Charge Monté sur le Chargeur

Le chargeur d'accus est équipé d'un indicateur à DEL de l'état de charge, lequel signale également certaines situations susceptibles de retarder, voire d'empêcher la recharge des accus (Fig. 8).

Remarque : Tant qu'une batterie d'accus est insérée dans son logement, aucun de ses voyants n'est visible.

Voyant orange clignotant : une anomalie a été décelée. Les causes potentielles sont multiples. Voir chapitre « Dépannage » dans ce manuel.

Voyant orange allumé en continu : la température de la batterie d'accus se situe en dehors de la plage admise (de 0 °C/32 °F à 40 °C/104 °F). Patientez jusqu'à ce que la batterie d'accus ait atteint une température acceptable avant de la recharger. Vous pouvez laisser les accus sur leur chargeur pendant qu'ils reviennent à la température voulue. La recharge des accus commencera dès qu'ils auront atteint la température appropriée.



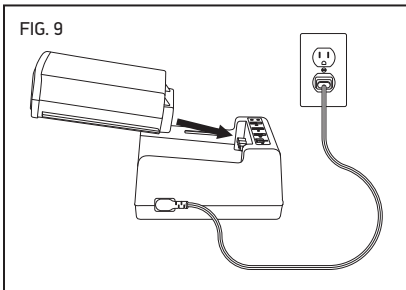
Voyant vert clignotant : batterie d'accus en charge.

Voyant vert allumé en continu : batterie d'accus prête à l'emploi.

### Recharge de la Batterie d'Accus

**⚠ AVERTISSEMENT : L'inobservation des procédures de charge appropriées risque d'entraîner l'apparition d'un courant dont la tension et/ou l'intensité sont excessives, une perte de contrôle pendant la charge, la fuite de produits chimiques dangereux, la production de chaleur, l'éclatement des accus, voire un incendie. Respectez ces consignes de charge.**

Après avoir raccordé le cordon du chargeur à ce dernier et l'avoir branché sur une prise d'alimentation secteur, alignez les rainures latérales de la batterie d'accus sur les rails que présente le chargeur, puis faites-la coulisser sur ceux-ci jusqu'à butée (Fig. 9).

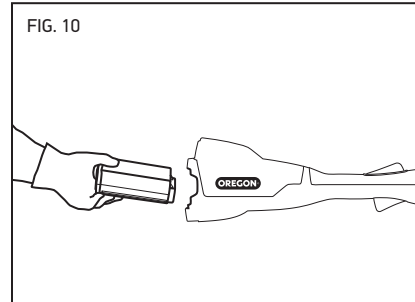


Penchez-vous sur l'indicateur d'état de charge pour connaître les conditions de charge.

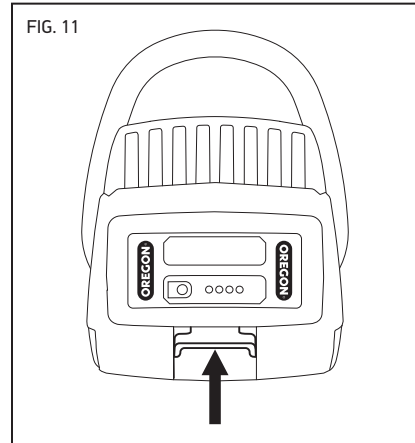
### Insertion et Dépose de la Batterie d'Accus

Servez-vous exclusivement des batteries d'accus de marque Oregon® mentionnées dans ce manuel d'utilisation.

Alignez les rainures latérales de la batterie d'accus sur les rails que présente le logement de celle-ci. Insérez fermement la batterie d'accus dans son logement sur le taille-bordure/coupe-bordure, en exerçant une pression vers l'avant jusqu'à ce que la batterie s'encliquète en s'immobilisant dans la position voulue (Fig. 10).



Pour déposer la batterie d'accus, soulevez-en le levier de dégagement, saisissez-vous de la batterie par ses flancs et retirez-la (Fig. 11).



## Fonctionnement Général



**⚠ MISE EN GARDE :** Pour réduire les risques de lésion, vous devez systématiquement revêtir un équipement de protection composé des éléments suivants : chaussures de sécurité, pantalons longs, protection auditive et lunettes de protection.

**IMPORTANT :** Soyez prudent aux alentours de structures, arbres et buissons afin de prévenir toute dégradation de la peinture ou de l'écorce des arbres.

### Température d'Exploitation

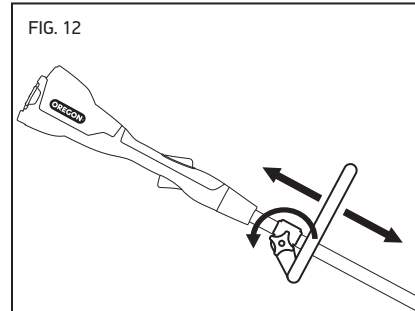
Ce taille-bordure/coupe-bordure est conçu pour fonctionner dans une plage de températures comprise entre 0 et 40 °C (32 et 104 °F).

**IMPORTANT :** Le coupe-bordure/taille-haies est équipé d'un capteur de température qui arrête le moteur en cas de surcharge pour éviter qu'il soit endommagé. Si coupe-bordure/taille-haies s'arrête de façon abrupte, il est peut-être trop chaud pour pouvoir continuer à fonctionner. Laissez l'outil refroidir avant de poursuivre l'opération. Reportez-vous au « Dépannage » pour plus d'informations.

### Prise

La poignée avant du taille-bordure/coupe-bordure est réglable. Vous pouvez déplacer la poignée vers l'avant ou l'arrière le long du manche jusqu'à obtention d'une position confortable pour l'éclaircissage, le bordurage ou la taille d'entretien.

Desserrez le bouton d'ajustement jusqu'à ce que la poignée avant coulisse le long du manche, faites coulisser la poignée jusqu'à ce qu'elle occupe une position confortable, puis resserrez le bouton d'ajustement (Fig. 12).



Lors de toute utilisation du taille-bordure/coupe-bordure, saisissez-vous fermement des poignées avant et arrière. **POSTURE**

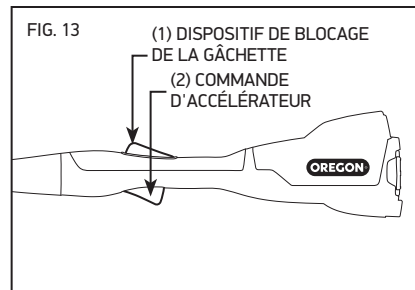
Tenez-vous ou déplacez-vous les deux pieds sur un sol ferme. Ne travaillez pas en position d'extension excessive.

### Arrêt du Taille-Bordure/Coupe-Bordure

Libérez la commande d'accélérateur pour arrêter le taille-bordure/coupe-bordure.

### Mise en Marche du Taille-Bordure/Coupe-Bordure

Saisissez-vous fermement des poignées avant et arrière. Exercez une pression sur le dispositif de blocage de la gâchette (1), puis exercez une pression sur la commande d'accélérateur (2) jusqu'à ce que la tête de coupe ait atteint la vitesse de rotation souhaitée (Fig. 13).



### Contrôle de la Vitesse de Rotation de la Tête de Coupe

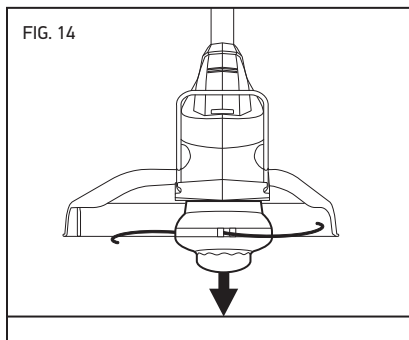
La commande d'accélérateur contrôle la vitesse de rotation de la tête de coupe. Pour augmenter la vitesse de coupe, appuyez plus fermement sur la commande d'accélérateur.

N'exercez que la pression minimale requise pour procéder aux coupes voulues. Cette précaution contribue à maximiser la durée du temps de coupe par charge des accus et à réduire le nombre des opérations de charge requises.

### Avancement du Fil de Coupe

Le disque GSL fonctionne plus longtemps que les fils à couper classiques. Cependant, le fil à couper s'use avec le temps. Faites avancer le fil en tapotant la tête par terre pour faire sortir plus de fil du disque.

Moteur en marche et tête de coupe en rotation, contraignez la tête de coupe à heurter le sol (Fig. 14) Une longueur de fil plus importante sortira du disque, et la longueur de fil excédentaire sera coupée par la lame située dans le bas du carénage.



S'il n'y a plus de fil qui sort, cela signifie peut-être que le disque est vide. Arrêtez le coupe-bordure/ taille-haies et remplacez le disque comme décrit dans "Remplacement du Disque GSL".

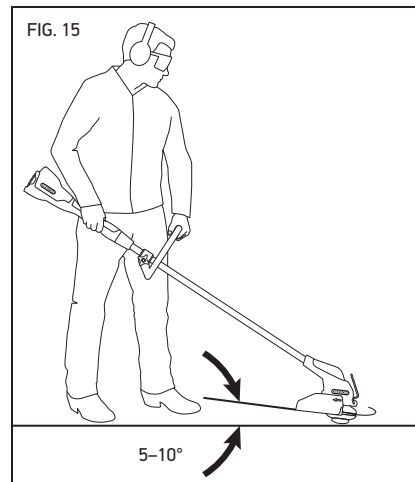
### Taille d'Entretien



Cette taille d'entretien permet de tondre les pelouses et gazons longeant les murs, clôtures et autres zones trop exigües pour qu'une tondeuse à gazon puisse s'y aventurer en ramenant ces végétaux à une hauteur raisonnable sans les raser jusqu'au sol.

Saisissez-vous fermement de l'outil et adoptez une posture adéquate, puis mettez en marche le taille-bordure/coupe-bordure. Appuyez sur la commande d'accélérateur jusqu'à ce que la tête de coupe atteigne la vitesse minimale requise pour tailler les pelouses et gazons.

Inclinez légèrement la tête de coupe dans la direction de la coupe (Fig. 15).



Poussez lentement la tête de coupe latéralement pour attaquer les herbes et mauvaises herbes à tailler, puis imprimez un mouvement de va-et-vient à la tête de coupe de telle sorte que l'extrémité du fil de coupe demeure en contact avec les végétaux à couper.

Veillez à ce que le fil de coupe ne touche pas le sol.

## Bordurage

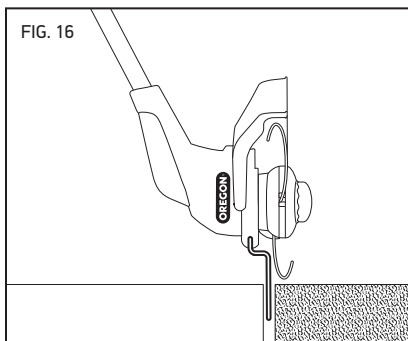


**⚠ MISE EN GARDE : Pour réduire les risques de lésion, veillez à ce que le carter de protection continue à faire écran entre l'opérateur et la tête de coupe.**

Le bordurage consiste à maintenir une ligne de démarcation existante entre une pelouse et un autre objet tel qu'un sentier, un trottoir ou un massif de fleurs. Le taille-bordure/coupe-bordure n'est pas conçu pour créer une nouvelle bordure nette, mais pour entretenir une bordure existante.

Tenez vos mains à l'écart de la commande d'accélérateur, puis déployez le guide de bordurage jusqu'à ce qu'il s'encliquète.

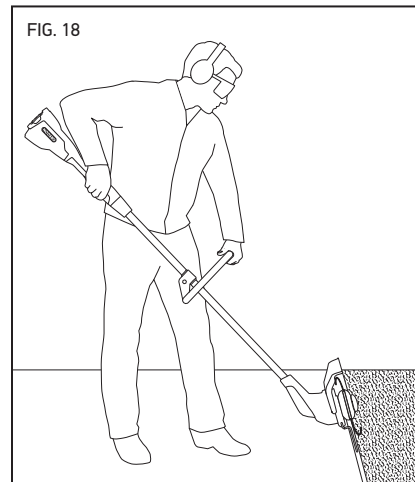
Approchez-vous de la pelouse à traiter en orientant le taille-bordure de telle manière que le dessous de la tête de coupe soit dirigé vers la pelouse et le guide de bordurage vers le sol. Positionnez le guide de bordurage le long de la bordure de la pelouse. (Fig. 16).



Dans les espaces restreints, contigus à une clôture ou à toute autre barrière, rien ne s'oppose à ce que vous retourniez la prise de la poignée arrière et maintenez le taille-bordure/coupe-bordure dans une position plus proche de la verticale (Fig. 17).



Si vous devez procéder à un bordurage de longue durée, vous pouvez faire pivoter la poignée avant (Fig. 18). La prise en main de l'outil en sera vraisemblablement plus confortable.





# Maintenance et Nettoyage

## Taille-Bordure/Coupe-Bordure



**⚠ AVERTISSEMENT :** Toute incapacité à identifier et remplacer des pièces endommagées ou usées risque d'occasionner des lésions corporelles graves. Livrez-vous régulièrement à une inspection de ce taille-bordure/coupe-bordure. L'exécution de vérifications régulières constitue la première étape d'une maintenance adéquate. Respectez les indications ci-après pour maximiser le niveau de sécurité et de satisfaction. Faites immédiatement procéder au remplacement de toute pièce endommagée ou présentant une usure excessive.

**⚠ AVERTISSEMENT :** Tout outil électrique dont la batterie d'accus est insérée dans son logement sera toujours sous tension, au risque de se mettre en marche accidentellement. Retirez la batterie d'accus de son logement avant de soumettre ce taille-bordure/coupe-bordure à quelque nettoyage, vérification ou opération de maintenance que ce soit.

**MISE EN GARDE :** Lors du nettoyage de ce taille-bordure/coupe-bordure, abstenez-vous de le plonger dans de l'eau ou tout autre liquide.

### Vérification de la Tête de Coupe

- Assurez-vous que la tête de coupe est exempte de fissures et autres dégradations. Si elle est endommagée, remplacez-la. La rupture en cours d'utilisation d'une tête de coupe endommagée risque d'occasionner des lésions corporelles graves.
- Assurez-vous de la rotation sans heurt du fil de coupe et de la progression du fil de coupe. Si la tête de coupe ne tourne pas librement, reportez-vous au chapitre « Suppression d'un Bourrage d'Herbe Coupée ».
- Si le fil se coince ou s'emmêle, ouvrez la tête du GSL et vérifiez le disque. Remplacez ou réinstallez le disque si nécessaire.
- Examinez le dispositif de protection antibourrage pour vous assurer de l'absence de fissures, rupture ou flottement. S'il est endommagé, remplacez-le.

### Vérification des Poignées

**⚠ AVERTISSEMENT :** La rupture en cours d'utilisation d'une poignée endommagée risque d'occasionner des lésions corporelles graves. Assurez-vous que les poignées avant et arrière sont propres, sèches et exemptes de fissures ou autre dégradation.

### Vérification du Port de Connexion des Accus

Assurez-vous que le port de connexion des accus est propre, sec et exempt de débris. La présence de débris à la hauteur du port de connexion risque d'empêcher un contact électrique de qualité entre la batterie d'accus et le taille-bordure/coupe-bordure.

### Nettoyage du Taille-Bordure/Coupe-Bordure

- Éliminez du taille-bordure/coupe-bordure les poussières, feuilles et débris d'herbes.
- Dégagez les ouïes de ventilation pour garantir un débit d'air convenable et prévenir toute surchauffe.
- Retirez les débris d'herbes enroulés autour de l'arbre d'entraînement et de la tête de coupe.
- Essayez le boîtier du moteur du taille-bordure en vous servant d'un chiffon propre imbibé d'eau savonneuse.
- Abstenez-vous impérativement d'utiliser des solvants ou détergents corrosifs.

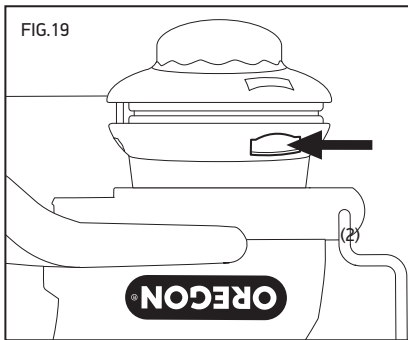
**IMPORTANT :** Veillez à ce que les ouïes de ventilation restent dégagées et retirez les débris enroulés autour de la tête de coupe pour contribuer à prévenir toute surchauffe.

## Ouverture du Gator®Speedload™ (GSL)

**⚠ AVERTISSEMENT : Un outil sur batterie équipé de sa batterie est toujours sous tension et peut démarrer accidentellement. Déposez la batterie du coupe-bordure/taille-haies avant de l'inspecter, le nettoyer ou effectuer son entretien.**

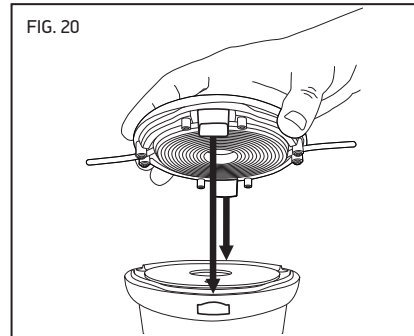
Si vous détectez un problème sur le système de coupe du GSL et devez inspecter le disque ou la tête, voici la marche à suivre pour ouvrir la tête du GSL :

- Déposez la batterie, puis retournez le coupe-bordure/taille-haies.
- Appuyez sur la tête du GSL pour libérer la partie inférieure de la base (Fig. 19).



## Fermeture de la Tête du GSL

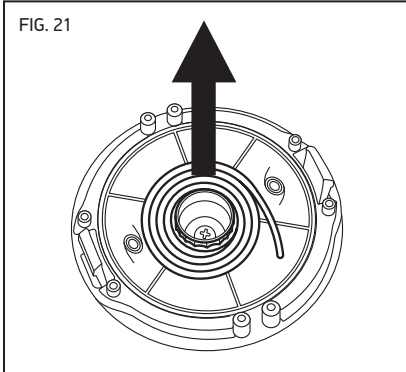
- Vérifiez le disque et éliminez toute obstruction ou remplacez le disque. Reportez-vous à « Remplacement du Gator® SpeedLoad™ (GSL) ».
- Retirez l'herbe fraîchement coupée, la saleté et les débris.
- Remettez la tête du GSL sur la base et appuyez fermement jusqu'à ce que vous entendiez un déclic (Fig. 20).



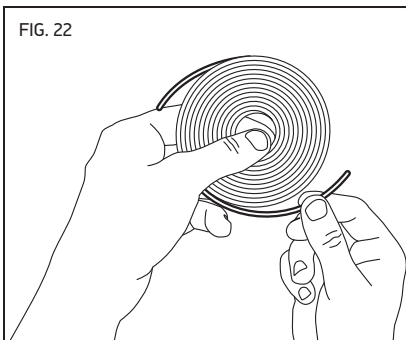
## Remplacement du Gator® Speedload™ (GSL)

Le coupe-bordure/taille-haies est équipé du système de coupe innovant GSL. La tête du GSL contient un disque ou fil préenroulé et autonome. Le disque GSL fonctionne plus longtemps que les fils à couper classiques. La dépose et le remplacement du disque sont des opérations simples.

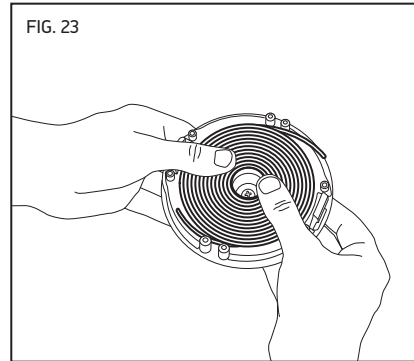
- Retirez la tête de la base. Retirez le disque vide et jetez-le (Fig. 21).



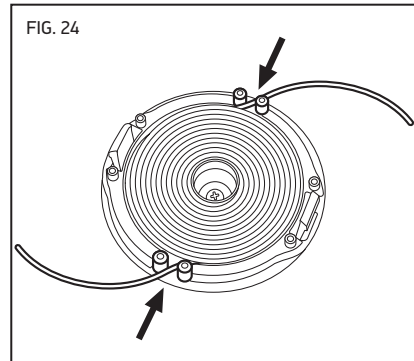
- Dénudez deux parties séparées de fil sur les côtés opposés du disque. Assurez-vous que chaque section est détachée pour créer un petit espace entre les lignes dénudées et le disque (Fig. 22).



- Placez le disque à l'intérieur de la tête en alignant le trou central du disque avec le trou au centre de la tête. Appuyez fermement sur le disque (Fig. 23).



- Assurez-vous que les extrémités du fil passent à travers les deux jeux d'attaches dans la tête (Fig. 24).



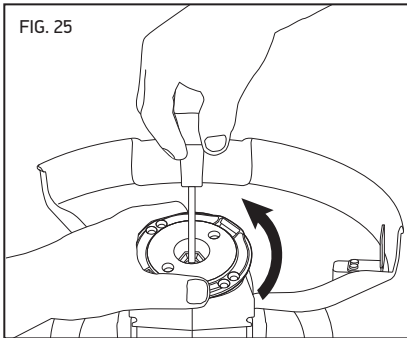
- Remettez la tête du GSL en place sur la base et appuyez fermement jusqu'à ce que vous entendiez un déclic.

Le disque innovant à languette et rainure rend toute opération d'enfilage inutile. Les disques résistent plus longtemps que des fils classiques.

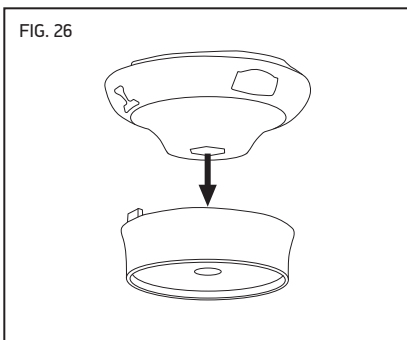
## Dépose et Remplacement de la Tête du Gator® Speedload™ (GSL)

Si la tête du GSL est fissurée ou cassée, elle doit être déposée et remplacée. En cas d'accumulation d'herbe fraîchement coupée ou de débris entre la tête et le carénage, il est plus facile de nettoyer le coupe-bordure/taille-haies après avoir déposé la tête.

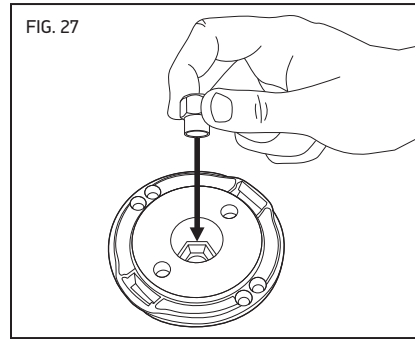
- Déposez la batterie, puis retournez le coupe-bordure/taille-haies.
- Suivez les instructions fournies dans « Ouverture de la tête du GSL ».
- Utilisez un tournevis à lame droite pour immobiliser l'axe et faites tourner la base du coupe-bordure/taille-haies dans le sens antihoraire pour desserrer l'écrou de centrage (Fig. 25).



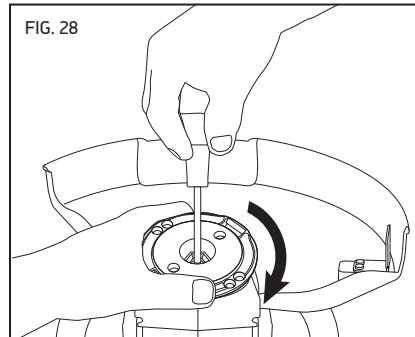
- Retirez la base du GSL.
- Déposez le protecteur de la tête du coupe-bordure/taille-haies (Fig. 26).



- Pour fixer une nouvelle tête de GSL, faites glisser l'écrou dans l'ouverture centrale de la tête GSL (Fig. 27).



- Placez la tête du GSL à l'intérieur du logement du coupe-bordure.
- Serrez bien l'écrou (Fig. 28).



- Suivez les instructions fournies dans « Chargement d'un Nouveau Disque GSL » pour installer un nouveau disque de fil dans le coupe-bordure/taille-haies.
- Refermez la tête.

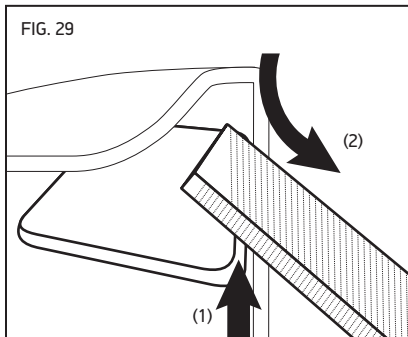
## Affûtage de la Lame Coupe-Fil

Il est recommandé de confier l'affûtage de la lame coupe-fil à un service technique Oregon®, mais l'opérateur peut aussi s'en charger.

L'affûtage de la lame coupe-fil requiert l'utilisation d'une lime plate.

Après vous être muni de cette lime, enfiler une paire de gants et chaussez des lunettes de protection, puis retirez la batterie d'accus de son logement.

- Couchez le coupe-bordure sur le flanc en veillant à ce que la lame coupe-fil soit orienté vers le haut et placez-vous face au dessous de la tête de coupe (Fig. 29).
- Posez la lime contre l'arête vive de la lame coupe-fil (1).
- Poussez la lime vers le bas et la droite pour aiguiser le tranchant de la lame (2).
- Répétez ce geste jusqu'à ce que la lame coupe-fil soit affûtée.



## Suppression d'un Bourrage d'Herbe Coupée

**⚠ MISE EN GARDE : Tout outil électrique dont la batterie d'accus est insérée dans son logement sera toujours sous tension, au risque de se mettre en marche accidentellement. Avant de remédier à un bourrage d'herbe coupée, retirez systématiquement la batterie d'accus afin de prévenir toute activation accidentelle de la tête de coupe.**

Des herbes de certains types et longueurs sont susceptibles de se coincer entre la tête de coupe et la broche. En pareil cas, les débris d'herbes s'enroulent rapidement autour de l'arbre d'entraînement en obstruant l'espace situé entre l'arbre d'entraînement et la tête de coupe au point d'entraver la rotation de cette dernière ou de l'immobiliser complètement. Cette situation porte le nom de bourrage d'herbe. Le taille-bordure/coupe-bordure est équipé d'un dispositif de protection antibourrage monté entre la broche et la tête de coupe pour réduire l'incidence de ce phénomène, mais un tel bourrage risque tout de même de se produire à l'occasion.

Pour remédier à un bourrage d'herbe :

- Retirez la batterie d'accus
- Déposez la tête de coupe
- Éliminez tous les débris d'herbe coupée qui entourent la broche. Au besoin, coupez ces débris d'herbe pour les dégager.
- Dès que la broche est débarrassée de ces débris d'herbes procédez au remontage de la tête de coupe.

## Batterie d'Accus

**⚠ AVERTISSEMENT : La batterie d'accus ne contient aucune pièce dont l'utilisateur pourrait assurer la maintenance. Abstenez-vous de la démonter.**

Les accus au lithium-ion se caractérisent par une durée de vie utile limitée. Si la durée du temps de coupe par charge diminue sensiblement, cela signifie que la batterie d'accus est arrivée au terme de sa durée de vie utile et qu'il convient de la remplacer.

- Assurez-vous que la batterie d'accus est propre et sèche et qu'elle ne présente aucun signe de perforation, d'impact ou de dégradation. Les accus brisés risquent de provoquer des incendies ou de libérer des produits chimiques toxiques.
- Nettoyez tout contact souillé à l'aide d'un chiffon doux et sec. La présence d'huile ou d'impuretés est susceptible d'affecter défavorablement le raccordement électrique, ce qui peut entraîner une perte de puissance.

## Chargeur

- Débranchez le chargeur de la prise d'alimentation électrique.
- Nettoyez tout contact souillé à l'aide d'un chiffon doux et sec.

## Dépannage

Servez-vous de ce tableau pour identifier des solutions éventuelles aux problèmes susceptibles d'affecter votre taille-bordure/coupe-bordure. Si ces suggestions ne permettent pas de résoudre le problème rencontré, reportez-vous au chapitre « Garantie et Services ».

SYMPTÔME	CAUSE PROBABLE	ACTIONS PRÉCONISÉES
Le moteur tourne par intermittence, voir pas du tout	Accus déchargés	Rechargez les accus. Voir « Batterie d'Accus et Chargeur ».
	Vous avez oublié d'appuyer sur le dispositif de blocage de la gâchette	Exercez une pression sur le dispositif de blocage de la gâchette avant d'appuyer sur la commande d'accélérateur. Voir « Fonctionnement Général ».
	La batterie d'accus n'est pas correctement insérée	Enfoncez la batterie d'accus sur son port de connexion jusqu'à ce qu'elle s'encliquète dans la position voulue.
	Les contacts de la batterie d'accus sont encrassés	Retirez la batterie d'accus, éliminez les débris du port de connexion, puis nettoyez les contacts à l'aide d'un chiffon propre et sec.
	Batterie d'accus froide	Patiencez jusqu'à ce que la batterie d'accus ait atteint sa température minimale de fonctionnement de 0 °C (32 °F).
Le moteur tourne, mais la tête de coupe demeure immobile	Herbes enroulées autour de l'arbre d'entraînement et de la tête de coupe	Voir « Suppression d'un Bourrage d'Herbe Coupée »
Les coupes effectuées au moyen du taille-bordure/coupe-bordure laissent à désirer	Herbes enroulées autour de l'arbre d'entraînement et de la tête de coupe	Voir « Suppression d'un Bourrage d'Herbe Coupée »
	Disque GSL vide	Voir « Remplacement du disque GSL ».
Le passage du fil de coupe ne s'opère plus	Disque GSL vide	Voir « Remplacement du disque GSL ».
	Fil de coupe enchevêtrée	Déposez le disque GSL. Voir « Remplacement du Disque GSL ».
Usure rapide du fil de coupe	Vitesse de coupe trop élevée	Exercez une pression moindre sur la commande d'accélérateur.
	Technique de coupe incorrecte	Évitez tout heurt entre la tête de coupe et un revêtement en dur. Déplacez lentement la tête de coupe jusqu'à ce que l'extrémité du fil de coupe frappe les herbes ou le gazon.
Taille-bordure/coupe-bordure en proie à des vibrations excessives en cours d'utilisation	Tête GSL endommagée	Voir « Dépose et Remplacement de la Tête du Gator® SpeedLoad™ (GSL) ».
	Tête GSL mal fixée	Déposez la tête du GSL et réinstallez-la en vous assurant que l'écrou est bien serré. Voir « Dépose et Remplacement de la Tête du Gator® SpeedLoad™ (GSL) ».
	Lame coupe-fil émoussée	Voir « Affûtage de la Lame Coupe-Fil ».

SYMPTÔME	CAUSE PROBABLE	ACTIONS PRÉCONISÉES
Éraïllement, effilochage ou coupe irrégulière de l'extrémité du fil de coupe	Lame coupe-fil émoussée	Voir « Affûtage de la Lame Coupe-Fil ».
Échec des tentatives de recharge des accus	La protection thermique de la batterie d'accus est activée	Cette situation risque de se manifester en cas de fonctionnement ininterrompu du taille-bordure/coupe-bordure ou d'exposition à des températures ambiantes élevées. Patientez jusqu'à ce que la batterie d'accus ait atteint une température acceptable avant de la recharger. Voir « Batterie d'Accus et Chargeur ».
	Présence de contacts encrassés ou endommagés sur le chargeur ou la batterie d'accus	Vérifiez la qualité des contacts sur le chargeur et la batterie d'accus. Nettoyez ces contacts comme décrit au chapitre « Maintenance et Nettoyage », puis réintroduisez la batterie d'accus dans le chargeur et faites-la coulisser jusqu'à butée.
	Batterie d'accus au terme de sa durée de vie utile	La durée de vie de tous les accus est limitée. Si la batterie d'accus a plus de deux ans ou a subi des recharges fréquentes, il est peut-être temps de la remplacer. Ne la remplacez que par la batterie d'accus indiquée pour ce taille-bordure/coupe bordure.
	Chargeur défectueux	Faites-en vérifier le fonctionnement par un atelier agréé.
Temps de coupe réduit avant recharge des accus	Technique de coupe incorrecte	Respectez les consignes relatives à l'opération que vous êtes en train d'exécuter. Voir « Taille d'Entretien » ou « Bordurage ».
	Vitesse de coupe trop élevée	Exercez une pression moindre sur la commande d'accélérateur.
	Herbes enroulées autour de l'arbre d'entraînement et de la tête de coupe	Voir « Suppression d'un Bourrage d'Herbe Coupée »
	La batterie d'accus n'est pas complètement rechargée	Voir « Batterie d'Accus et Chargeur ».
Voyant orange clignotant sur l'indicateur d'état de charge	Court-circuit au niveau du chargeur, surintensité au niveau du chargeur, limite de surtension, circuit ouvert sur la batterie d'accus ou erreur générée par dépassement du temps imparti à la charge/précharge	<ol style="list-style-type: none"> <li>1. Assurez-vous que le cordon d'alimentation du chargeur est raccordé à ce dernier et branché sur une prise d'alimentation secteur.</li> <li>2. Assurez-vous que la tension d'alimentation du chargeur est correcte.</li> <li>3. Essayez de recharger une autre batterie d'accus conçue pour ce chargeur.</li> </ol> <p>Si vous ne parvenez pas à remédier de la sorte au problème rencontré, faites-en vérifier le fonctionnement par un atelier agréé.</p>



## Caractéristiques et Composants

COMPOSANTS DE RECHANGE		NUMÉRO DE RÉFÉRENCE	
Fil de coupe Gator® Speedload™		24-280-03	
Batterie d'accus, modèle B600E		548208	
Batterie d'accus, modèle B400E		545938	
Chargeur et cordon d'alimentation, modèle C600		540580	
Chargeur rapide et cordon d'alimentation, modèle C750		548185	
CHARGEUR, MODÈLE C600			
Entrée	100 à 240 V~ 50 à 60 Hz 60 W		
Entrée (États-Unis Et Canada Uniquement)	120 V~ 60 Hz 60 W		
Sortie	41,5 V $\equiv$ 1,25 A		
Cordon d'Alimentation	US/CAN P/N: 546636 EU P/N: 547383 UK P/N: 547384 AU/NZ P/N: 560663		
CHARGEUR, MODÈLE C750			
Entrée	100 à 240 V~ 50 à 60 Hz 260 W		
Entrée (États-Unis Et Canada Uniquement)	120 V~ 60 Hz 260 W		
Sortie	41 V $\equiv$ 4,6 A		
Cordon d'Alimentation	US/CAN P/N: 585068 EU P/N: 585069 UK P/N: 585070 AU/NZ P/N: 585073		
BATTERIE D'ACCUS			
Type	Lithium-ion		
Températures de fonctionnement	0 °C à 40 °C (32 °F à 104 °F)		
Modèle	Capacité nominale	Tension nominale	C600 Temps de charge (approx.)
B600E	4,00 Ah / 144 Wh	+ 36 VCC	210 minutes
B400E	2,40 Ah / 89 Wh	+ 37 VCC	120 minutes
TAILLE-BORDURE/COUPE-BORDURE			
Diamètre de fauchage	320 mm (13 pouces)		
Calibre max. de la ligne	2,4 mm (0,095 pouce) Valeur recommandée 2,0 mm (0,080 pouce)		
Poids avec B600E	4,3 kg (9,4 livres)		
Poids avec B400E	4,3 kg (9,4 livres)		
Vitesse de coupe à vide	6250 tr/min		
Puissance acoustique	90 dB $L_{WA}$ (K ; 0,18 dB)		
Vibrations	0,95 m/s <sup>2</sup> (K ; 0,11 m/s <sup>2</sup> )		

## Garantie et Service

### Garantie

Blount, Inc. garantit tous les chargeurs et outils sans fil Oregon® enregistrés pour une période de trois (3) ans et tous les blocs de batterie sans fil Oregon® enregistrés pour une période de deux (2) ans à compter de la date d'achat initiale. Les chargeurs, blocs de batterie et outils sans fil Oregon® enregistrés sont garantis deux (2) ans s'ils sont utilisés à des fins commerciales. Cette garantie limitée s'applique aux produits du système d'outils sans fil fabriqués par Oregon®. Pendant la période de garantie, Blount réparera ou, à sa discrétion, remplacera sans frais pour l'acheteur d'origine seulement tout produit ou toute pièce ayant un défaut de matériau ou de main-d'œuvre confirmé après vérification de Blount. Le propriétaire sera responsable de tous les frais de transport et du coût de démontage de toute pièce soumise pour remplacement en vertu de la garantie.

Pour enregistrer votre produit, visitez la rubrique « Soutien » de **OregonCordless.com**.

### Renseignements de Service et de Soutien

Visitez-nous sur le web à **OregonCordless.com** pour des renseignements sur les centres de service ou communiquez avec notre département de service à la clientèle au 888 313 8665 pour une assistance, des conseils techniques supplémentaires, une réparation, ou des pièces de rechange.

Par souci de sécurité, utilisez uniquement des pièces de rechange authentiques d'usine sur l'outil électrique. Le personnel de notre centre de service a été formé pour vous fournir aide et soutien de façon efficace pour tout réglage, réparation ou remplacement requis pour tous les produits du système d'outils sans fil Oregon®.



# Índice

Símbolos y Etiquetas . . . . .	61
Nombres y Términos de la Desbrozadora/Cortabordes . . . . .	62
Identificación del Producto . . . . .	63
Normas de Seguridad . . . . .	64
Advertencias de Seguridad Generales para Herramientas Eléctricas . . . . .	64
Seguridad del Área de Trabajo . . . . .	64
Seguridad Eléctrica . . . . .	64
Seguridad Personal . . . . .	65
Uso y Cuidado de la Herramienta Eléctrica . . . . .	66
Uso y Cuidado de la Batería . . . . .	66
Servicio Técnico . . . . .	66
Advertencias de Seguridad de la Desbrozadora/Cortabordes . . . . .	67
Almacenamiento, Transporte y Eliminación . . . . .	67
Seguridad de la Batería . . . . .	68
Seguridad del Cargador . . . . .	69
Desembalaje y Montaje . . . . .	70
Desembalaje . . . . .	70
Montaje . . . . .	70
Funcionamiento de la Desbrozadora/Cortabordes . . . . .	72
Batería y Cargador . . . . .	72
Funcionamiento General . . . . .	74
Desbrozo . . . . .	75
Recorte de Bordes . . . . .	76
Mantenimiento y Limpieza . . . . .	77
Desbrozadora/Cortabordes . . . . .	77
Apertura del Gator® Speedload™ (GSL) . . . . .	78
Cierre del Cabezal del GSL . . . . .	78
Sustitución del Gator® Speedload™ (GSL) . . . . .	79
Desmontaje y Sustitución del Cabezal del Gator® Speedload™ (GSL) . . . . .	80
Afilado de la Cuchilla de Corte del Hilo . . . . .	81
Corrección de Obstrucciones de Hierba . . . . .	81
Batería . . . . .	82
Cargador . . . . .	82
Solución de Problemas . . . . .	83
Especificaciones y Componentes . . . . .	85
Garantía y Servicio . . . . .	86

# Símbolos y Etiquetas

Estos símbolos y etiquetas aparecen en la desbrozadora/cortabordes, la batería y el cargador.

SÍMBOLO	NOMBRE	EXPLICACIÓN
	<b>Construcción Clase II</b>	Herramientas de construcción con indicación de doble aislamiento
	<b>Símbolo de Alerta de Seguridad</b>	Indica que el texto que sigue explica un peligro, advertencia o precaución.
	<b>Leer las Instrucciones</b>	El manual de instrucciones original contiene información importante de seguridad y funcionamiento. Lea y siga las instrucciones cuidadosamente.
	<b>Usar Protección Ocular</b>	Use protección ocular cuando utilice la desbrozadora/cortabordes.
	<b>Usar Protección Auditiva</b>	Use protección auditiva cuando utilice la desbrozadora/cortabordes.
	<b>Usar Pantalones Largos</b>	Use pantalones largos cuando utilice la desbrozadora/cortabordes.
	<b>Usar Protección para los Pies</b>	Lleve botas de trabajo apropiadas de punta cerrada cuando utilice la desbrozadora/cortabordes.
	<b>No Usar Cuchilla de Corte</b>	No instale una cuchilla de corte de metal o plástico.
	<b>Potencia Acústica</b>	El nivel de potencia acústica es de 90 dB.
	<b>No Incinerar</b>	No lo arroje al fuego.
	<b>No Tirar</b>	No deseche el aparato en la basura doméstica. Llévelo a un centro de reciclaje autorizado.
	<b>No Exponer a la Lluvia</b>	No utilice el cargador en condiciones de humedad.
	<b>Uso Exclusivo en Interiores</b>	Previsto únicamente para uso en interiores.
	<b>Temperatura de Trabajo</b>	Use la batería exclusivamente a una temperatura de entre 0°C y 40°C.
	<b>Retirar la Batería</b>	Retire la batería antes de realizar cualquier tarea de mantenimiento.

## Nombres y Términos de la Desbrozadora/ Cortabordes

**Zona de seguridad para transeúntes:** Un círculo de unos 6 m en torno al operador que debe permanecer libre de obstáculos, transeúntes, niños y animales domésticos.

**Velocidad de corte:** La desbrozadora/cortabordes tiene una velocidad de corte variable. Pulse el interruptor acelerador con más fuerza para una velocidad de corte más rápida. Para obtener el mayor tiempo de corte de cada carga, utilice únicamente la velocidad de corte mínima necesaria para cortar el material.

**Recorte de bordes:** El proceso de usar la desbrozadora/cortabordes para mantener una línea clara entre el césped y la acera, el pavimento, un parterre, o cualquier otro objeto.

**Guía cortabordes:** El componente de metal que sale desde el cortador y que ayuda a controlar la posición del cabezal de corte durante el recorte de bordes.

**Empuñadura delantera:** La empuñadura de sujeción en el centro del eje.

**Protector de hierba:** La tapa de plástico entre el cabezal de corte y la cubierta que ayuda a evitar las obstrucciones de hierba.

**Cubierta:** La barrera entre el cabezal de corte y el operador.

**Cuchilla de corte del hilo:** La cuchilla en la parte inferior de la cubierta que limita la longitud del hilo de corte.

**Carcasa del motor:** La tapa de plástico en el extremo del eje que sujeta la cubierta y el cabezal de corte.

**Cabezal motriz:** El conjunto en el extremo del eje que contiene la batería.

**Empuñadura trasera:** La empuñadura de apoyo, que se encuentra en o cerca de la parte trasera de la desbrozadora/cortabordes, donde se encuentra el interruptor acelerador.

**Eje:** La parte larga entre el cabezal motriz y la carcasa del motor.

**Husillo:** La parte que sobresale de la carcasa del motor que conecta el cabezal de corte a la desbrozadora/cortabordes.

**Interruptor acelerador:** Un dispositivo que controla la velocidad del cabezal.

**Cabezal de corte:** El conjunto giratorio en el extremo del eje, debajo de la cubierta.

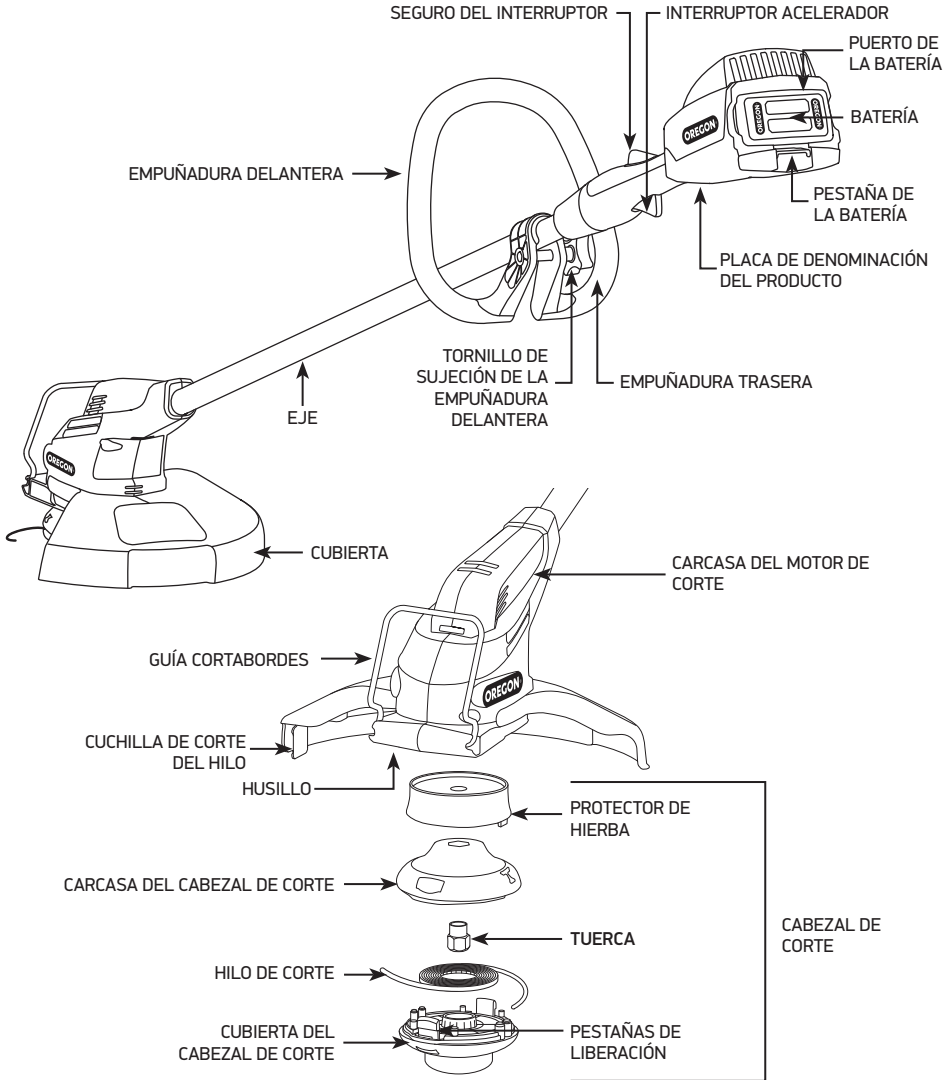
**Desbrozo:** El proceso de usar la desbrozadora/cortabordes para cortar la hierba o la maleza a una altura manejable.

**Seguro del interruptor:** Un seguro móvil que evita la activación accidental de la desbrozadora/cortabordes hasta que es accionado manualmente.

**Piezas de desgaste:** Piezas como el cabezal de corte y el hilo de corte que se desgastan durante el uso y pueden ser sustituidas por el usuario.

# Identificación del Producto

## Conozca la Desbrozadora/Cortabordes



**⚠ PELIGRO: El uso de accesorios de cuchilla en la desbrozadora/cortabordes puede ocasionar lesiones graves.** No instale cuchillas de corte de metal o plástico en la desbrozadora/cortabordes. Utilice únicamente hilo de corte de nailon.



**NOTA:** Consulte el apartado "Desembalaje" para una lista de los elementos incluidos.

## Introducción

Esta desbrozadora/cortabordes está diseñada para cortar la hierba o la maleza dentro de un mantenimiento regular utilizando hilo de corte de nailon flexible. No está diseñada para cortar maleza alta o para su uso con accesorios de corte de metal. No se recomienda ningún otro uso distinto a los indicados. Este producto ha sido fabricado de acuerdo con la última tecnología de seguridad disponible. Sin embargo, incluso con esta tecnología, se reconoce que sigue existiendo un riesgo residual, como por ejemplo, la proyección de objetos. El operador debe leer atentamente, entender y seguir todas las precauciones de seguridad para reducir los posibles daños derivados de estos riesgos.

## Normas de Seguridad

### Advertencias de Seguridad Generales para Herramientas Eléctricas

**⚠ ADVERTENCIA:** Lea y entienda todas las advertencias de seguridad e instrucciones.

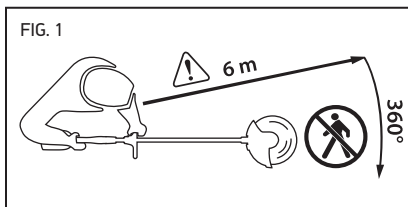
El incumplimiento de las advertencias e instrucciones puede provocar descargas eléctricas, incendios o lesiones graves.



**Guarde todas las advertencias e instrucciones para referencia futura.** El término "Herramienta Eléctrica" en las advertencias hace referencia a su herramienta eléctrica operada por conexión a la red (con cable) o con batería (sin cable).

### Seguridad del Área de Trabajo

- **Mantenga el área de trabajo limpia y bien iluminada.** Las zonas desordenadas u oscuras pueden dar lugar a accidentes.
- **No opere herramientas eléctricas en atmósferas explosivas, como en presencia de líquidos inflamables, gases o polvo.** Las herramientas eléctricas producen chispas que pueden prender el polvo o los gases.
- **Mantenga a los niños y transeúntes alejados cuando utilice una herramienta eléctrica (Fig. 1).** Las distracciones pueden hacer que pierda el control.



**⚠ PRECAUCIÓN:** Establezca una zona de seguridad para transeúntes de 6 m antes de poner en marcha este equipo. La zona de seguridad para transeúntes es un círculo de unos 6 m en torno al operador que debe permanecer despejado de transeúntes, niños y animales domésticos.

### Seguridad Eléctrica

- **Los enchufes del aparato deben corresponderse con la toma de corriente. Nunca modifique el enchufe en modo alguno. No utilice enchufes adaptadores con herramientas eléctricas conectadas a tierra.** El uso de enchufes no modificados y de las tomas de corrientes adecuadas reducirá el riesgo de descarga eléctrica.
- **Evite el contacto del cuerpo con superficies conectadas a tierra, tales como tuberías, radiadores, estufas y refrigeradores.** Existe un mayor riesgo de descarga eléctrica si su cuerpo está conectado a tierra.
- **No exponga herramientas eléctricas a lluvia o humedad.** Si entrase agua en una herramienta eléctrica aumentará el riesgo de descarga eléctrica.
- **No maltrate el cable. Nunca use el cable para transportar la herramienta eléctrica, tirar de ella o desenchufarla. Mantenga el cable alejado de fuentes de calor, aceite, bordes afilados o piezas móviles.** Los cables dañados o enredados aumentan el riesgo de descarga eléctrica.
- **Sujete la herramienta eléctrica por las superficies de agarre aislantes solamente, porque el cortador puede estar en contacto con cables ocultos.** Las herramientas eléctricas que estén en contacto con un cable alimentado pueden activar las partes metálicas expuestas de la herramienta eléctrica y podrían producir una descarga eléctrica al operario.



## Seguridad Personal

- **Manténgase alerta, fíjese en lo que está haciendo y use el sentido común cuando utilice una herramienta eléctrica. No utilice una herramienta eléctrica cuando esté cansado o bajo la influencia de drogas, alcohol o medicamentos.** Una distracción al operar herramientas eléctricas puede resultar en lesiones graves.
- **Use el equipo de protección personal. Use siempre protección ocular.** El uso de equipos de protección como mascarillas, zapatos de seguridad antideslizantes, casco o protección auditiva en las condiciones adecuadas reducirá los daños personales.
- **Use el equipo de protección personal. Use siempre pantalones largos y calzado.**
- **Evite el arranque accidental. Asegúrese de que el interruptor está en la posición de apagado antes de conectar la herramienta a la fuente de alimentación o la batería, de cogerla o de transportarla.** El transporte de herramientas eléctricas con el dedo en el interruptor o enchufar herramientas eléctricas con el interruptor encendido puede provocar accidentes.
- **Retire cualquier llave o tuerca de ajuste antes de encender la herramienta eléctrica.** Una llave o una tuerca olvidadas en una pieza giratoria de la herramienta eléctrica pueden provocar lesiones.

- **No se estire demasiado. Mantenga una postura firme y equilibrada en todo momento (Fig. 2).** Esto permite un mejor control de la herramienta eléctrica en situaciones inesperadas.



- **Vístase de manera adecuada. No use ropa suelta o joyas. Mantenga el pelo, la ropa y los guantes alejados de las piezas móviles.** Una prenda holgada, joya o pelo largo podrían engancharse en las piezas móviles.
- **Si se proporcionan dispositivos para la conexión de sistemas de extracción y recogida de polvo, asegúrese de que están montados y que se utilizan correctamente.** El uso de sistemas de recogida de polvo puede reducir los peligros relacionados con el polvo.
- **El uso prolongado de herramientas eléctricas ha sido mencionado como causante de trastornos vasculares, musculares o neurológicos (como la enfermedad de los dedos muertos o el síndrome de Raynaud).** Para reducir el riesgo de lesiones, siga estas instrucciones:
  - Use guantes y mantenga las manos y el cuerpo calientes.
  - Mantenga un agarre firme de la desbrozadora/cortabordes, pero no use una presión prolongada y excesiva.
  - Realice descansos frecuentes.

La vibración durante el uso normal puede diferir de los valores indicados en la tabla de "Especificaciones y Componentes" en función del material que se corte, el mantenimiento del sistema de corte y otros factores.

## Uso y Cuidado de la Herramienta Eléctrica

- **No fuerce la herramienta eléctrica. Utilice la herramienta eléctrica correcta para su aplicación.** La herramienta eléctrica correcta hará el trabajo mejor y de forma más segura a la velocidad a la que ha sido diseñada.
- **No utilice la herramienta eléctrica si el interruptor no se enciende y apaga.** Cualquier herramienta eléctrica que no pueda ser controlada con el interruptor es peligrosa y debe ser reparada.
- **Desconecte el enchufe de la fuente de alimentación o de la batería de la herramienta eléctrica antes de realizar ajustes, cambiar accesorios o almacenar las herramientas eléctricas.** Estas medidas de seguridad preventivas reducen el riesgo de arrancar la herramienta accidentalmente.
- **Guarde las herramientas eléctricas paradas fuera del alcance de los niños y no permita que personas no familiarizadas con la herramienta o con estas instrucciones las utilicen.** Las herramientas eléctricas son peligrosas en manos de personas inexpertas.
- **Realice un mantenimiento de las herramientas mecánicas. Verifique la alineación y la fijación de las piezas móviles, la rotura de piezas y cualquier otra condición que pueda afectar al funcionamiento de la herramienta eléctrica. Si resultase dañada, repare la herramienta eléctrica antes de utilizarla.** Muchos accidentes se deben al mantenimiento deficiente de las herramientas eléctricas.
- **Mantenga las herramientas de corte afiladas y limpias.** Las herramientas de corte mantenidas apropiadamente, con bordes de corte afilados, son menos propensas a obstruirse y son más fáciles de controlar.
- **Utilice la herramienta eléctrica y los accesorios de acuerdo con estas instrucciones, teniendo en cuenta las condiciones de trabajo y la tarea a realizar.** El uso de la herramienta eléctrica para trabajos diferentes a los designadas puede dar lugar a una situación peligrosa.

## Uso y Cuidado de la Batería

- **Recargue solo con el cargador especificado por el fabricante.** Un cargador adecuado para un tipo de batería puede crear riesgo de incendio si se utiliza con otra batería.
- **Utilice las herramientas eléctricas exclusivamente con las baterías especificadas.** El uso de cualquier otra batería puede crear riesgo de lesiones e incendio.
- **Cuando la batería no esté en uso, manténgala alejada de otros objetos metálicos, como clips, monedas, llaves, clavos, tornillos u otros objetos metálicos pequeños que puedan hacer conexión de un terminal a otro.** El cortocircuito de los terminales de la batería puede causar quemaduras o un incendio.
- **En condiciones inadecuadas puede salir líquido de la batería; evite el contacto.** Si se produce un contacto accidental, enjuague con agua. Si el líquido entrase en contacto con los ojos, busque la ayuda de un médico. El líquido expulsado de la batería puede causar irritación o quemaduras.

## Servicio Técnico

**Encargue el servicio técnico de su herramienta eléctrica a un técnico de reparación calificado que utilice únicamente piezas de repuesto idénticas.** Esto garantizará que se mantenga la seguridad de la herramienta eléctrica.

## Advertencias de Seguridad de la Desbrozadora/Cortabordes



**⚠ ADVERTENCIA:** El contacto con el hilo de corte en movimiento puede causar lesiones graves. Evite el contacto con el hilo de corte giratorio.

**⚠ ADVERTENCIA:** El uso de la desbrozadora/cortabordes sin la cubierta o la empuñadura adecuadas puede provocar lesiones graves. Utilícela solo con la empuñadura y la cubierta montadas correctamente en la desbrozadora/cortabordes.

**⚠ PRECAUCIÓN:** El contacto con las piezas en movimiento puede causar lesiones. Evite el contacto con el hilo de corte giratorio.

**⚠ PRECAUCIÓN:** La cuchilla de corte del hilo en la parte inferior de la cubierta está afilada. No agarre la cuchilla de corte del hilo cuando transporte o sujete la desbrozadora/cortabordes.

Aparte de las piezas de desgaste identificadas en este manual, la desbrozadora/cortabordes no tiene partes reparables por el usuario. El mantenimiento y la reparación requieren una formación especial. Consulte el apartado "Garantía y Servicio" para la información de contacto.

## Almacenamiento, Transporte y Eliminación

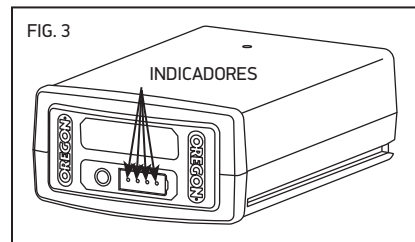
### Almacenamiento de la Desbrozadora/Cortabordes

- Retire la batería de la desbrozadora/cortabordes.
- Limpie en profundidad la desbrozadora/cortabordes.
- Guárdela en un lugar seco.
- Manténgala fuera del alcance de niños o los animales domésticos.

### Almacenamiento de la Batería

Cuando guarde la batería más de nueve meses, siga estas pautas:

- Retire la batería de la desbrozadora/cortabordes o del cargador.
- Guárdela en un lugar fresco y seco.
- Manténgala fuera del alcance de niños o los animales domésticos.
- Para prolongar la duración de la batería, nunca guarde la batería completamente descargada (sin ninguna luz indicadora encendida) (Fig. 3).



- Almacene a una temperatura de entre -20°C y 30°C.



### Almacenamiento del Cargador

- Retire la batería del cargador.
- Desconecte el cargador de la fuente de alimentación.
- Guárdelo en un lugar seco.
- Manténgalo fuera del alcance de niños o los animales domésticos.

Consulte el apartado "Mantenimiento y Limpieza" para más información.

### Transporte de la Desbrozadora/Cortabordes

Prepare la desbrozadora/cortabordes como se describe en "Almacenamiento, Transporte y Eliminación" antes de transportarla.

### Transporte de la Batería

Cumpla las normas nacionales al transportar baterías de iones de litio. Puede ser obligatorio un etiquetado especial del paquete.

### Eliminación de la podadora/bordeadora y del cargador

El producto Oregon® se diseña y fabrica con materiales y componentes de alta calidad que pueden reciclarse y reutilizarse. Tenga a bien desechar este equipo de forma adecuada desde el punto de vista medioambiental en un centro de reciclaje o recolección de residuos local.

### Eliminación del módulo de la batería

No incinere ni deseche la batería junto a los residuos domésticos. Los organismos locales de reciclaje y de gestión de residuos tienen información sobre cómo reciclar o desechar los residuos correctamente. En los Estados Unidos y Canadá, la recolección de baterías está a cargo de Rechargeable Battery Recycling Corporation (Empresa de Reciclaje de Baterías Recargables). Oregon® ya cubrió los gastos del reciclaje de las baterías. Lleve las baterías en desuso a un comercio minorista o un centro de reciclaje participante. Si desea obtener la ubicación de los centros de entrega u otra información, visite [www.call2recycle.org](http://www.call2recycle.org) o llame al 1-800-8BATTERY.



## Seguridad de la Batería

**⚠️ ADVERTENCIA: Un cuidado incorrecto de la batería puede provocar escapes químicos peligrosos, sobrecalentamiento, emisiones de humo, explosiones, llamaradas o incendios. Siga estas normas de seguridad.**

**⚠️ PRECAUCIÓN: No tire la batería con la basura doméstica ni la arroje al fuego. Las baterías de iones de litio deben reciclarse en un centro de reciclaje local autorizado.**

**IMPORTANTE: La exposición al calor excesivo puede causar la pérdida de rendimiento o de vida útil. No exponga la batería a calor excesivo, como el interior de un vehículo en verano.**

- No intente recargar una batería no recargable.
- No desmonte ni modifique la batería. Esto puede dañar las características de seguridad.
- No conecte los terminales positivo (+) y negativo (-) a objetos metálicos ni almacene la batería con objetos metálicos como monedas o tornillos. Podría producirse un cortocircuito y generar suficiente calor como para causar quemaduras.
- No incinere la batería ni la exponga a calor excesivo. Esto podría derretir el aislamiento o dañar las características de seguridad.
- No la utilice, cargue ni almacene cerca de una fuente de calor superior a 80°C. Podría producirse un sobrecalentamiento y un cortocircuito interno.
- No la exponga a condiciones extremadamente húmedas. Esto podría dañar las características de seguridad, causar una carga extremadamente alta de corriente y tensión, y generar reacciones químicas anormales.
- Utilice solo el cargador diseñado específicamente para la batería, y siga las instrucciones de seguridad descritas en "Seguridad del Cargador". El uso de otro cargador puede dañar las características de seguridad, causar una carga extremadamente alta de corriente y tensión, y generar reacciones químicas anormales.

- No utilice baterías de marca Oregon® en herramientas que no sean de Oregon®.
- No golpee, perfore, ni arroje la batería, y no utilice una batería dañada o deformada.
- Si la recarga no funciona, no intente recargarla.
- Si la batería desprendiese olor, generase calor, o estuviese decolorada, deformada o tuviese un comportamiento anormal durante el uso, recarga o almacenamiento, retírela inmediatamente de la desbrozadora/cortabordes o del cargador.
- Cualquier fuga de líquido de la batería es corrosiva, puede dañar los ojos y la piel, y puede ser tóxica si ingiere.

## Seguridad del Cargador

### **INSTRUCCIONES DE SEGURIDAD IMPORTANTES**

**⚠ ADVERTENCIA: Riesgo de descarga eléctrica.** Cuando se use al aire libre, instalar solo en un receptáculo protegido GFCI de "Clase A" cubierto que sea impermeable con la unidad de alimentación conectada al receptáculo. Si no se proporciona, póngase en contacto con un electricista cualificado para su correcta instalación. Asegúrese de que la unidad de alimentación y el cable no interfieren con el cierre completo de la tapa del receptáculo.

**IMPORTANTE:** Este aparato no está diseñado para ser utilizado por personas (incluidos niños) con capacidades físicas, sensoriales o mentales reducidas, o con falta de conocimiento, a menos que sean supervisadas o hayan sido instruidas por una persona responsable de su seguridad. Los niños deben ser supervisados para asegurarse de que no juegan con los aparatos.

**IMPORTANTE:** Utilice este cargador solo con el cable de alimentación suministrado y asegúrese de que el enchufe coincide correctamente con el receptáculo de la toma de corriente.

Al usar aparatos eléctricos, deben tomarse siempre precauciones básicas, incluidas las siguientes:

- **Lea y siga todas las instrucciones de seguridad antes de su uso.** Lea y siga todas las instrucciones que se encuentran en el producto o se suministran con el producto.
- **Guarde estas instrucciones.**
- **No utilice un cable de prolongación.**
- **Los cables dañados o enredados aumentan el riesgo de descarga eléctrica.** No maltrate el cable. Nunca use el cable para transportar la herramienta eléctrica, tirar de ella o desenchufarla. Mantenga el cable alejado de fuentes de calor, aceite, bordes afilados o piezas móviles.
- **No exponga el cargador a la lluvia.** Solo para uso en interiores.
- **No lo utilice a menos de 3 m de una piscina.**
- **No lo utilice en un cuarto de baño.**

## Desembalaje y Montaje

### Desembalaje

#### ¿Qué hay en la caja?

La desbrozadora/cortabordes requiere cierto montaje antes de su uso. Estos elementos se suministran con la desbrozadora/cortabordes:

- Desbrozadora/cortabordes
- Empuñadura delantera
- Botón giratorio de ajuste de la empuñadura delantera
- Protector con dos (2) tornillos de fijación
- Cargador y cable de alimentación (en caso aplicable)
- Batería (en caso aplicable)

Luego de quitar la podadora/bordeadora de la caja, examínela cuidadosamente para asegurarse de que no haya sufrido daños durante el envío y de que no falten piezas. Si hay piezas dañadas o faltan piezas, no use la podadora/bordeadora. Llame al Sistema de herramientas inalámbricas Oregon® al 888.313.8665 para obtener piezas de repuesto.

### Montaje



---

**⚠ PELIGRO:** Para evitar lesiones graves, no use la desbrozadora/cortabordes sin la empuñadura delantera ni la cubierta montadas.

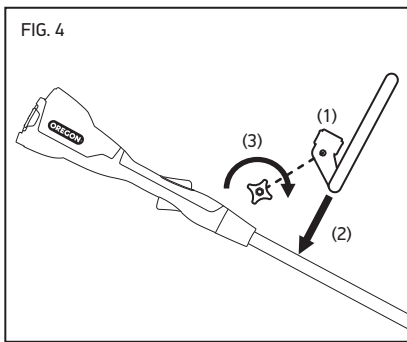
---

**⚠ ADVERTENCIA:** Una herramienta con batería con la batería insertada está siempre encendida y puede ponerse en marcha accidentalmente. Retire la batería de la desbrozadora/cortabordes antes de colocar la cubierta y la empuñadura delantera.

### Fijación de la Empuñadura Delantera

La empuñadura delantera encaja en el eje a una distancia cómoda entre la empuñadura trasera y la carcasa del motor de corte (Fig. 4).

- Agarre la empuñadura delantera cerca del punto de sujeción (1).
- Encaje la empuñadura delantera en el eje de manera que la abrazadera quede más cerca de la empuñadura trasera (2).
- Inserte el botón giratorio de ajuste de la empuñadura delantera a través del orificio de la empuñadura delantera (3) y apriete.

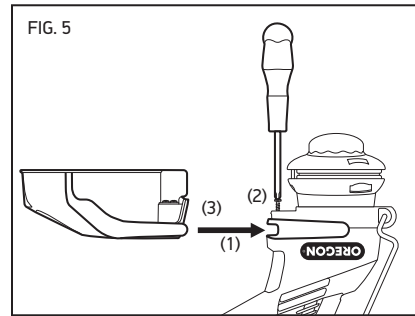


### Colocación de la Cubierta

La cubierta encaja en la ranura en la carcasa del motor de corte (Fig. 5).

- Ponga la desbrozadora/cortabordes al revés.
- Deslice la cubierta sobre la desbrozadora hasta que encaje en su lugar (1).
- Apriete los tornillos de la carcasa (2) hasta que esté completamente fija para mantener la carcasa en su sitio.
- Asegúrese de que la cuchilla de corte del hilo (3) está conectada a la cubierta para asegurarse de que la desbrozadora/cortabordes funciona correctamente.

**IMPORTANTE: Coloque los tornillos para asegurar que la cubierta.**



# Funcionamiento de la Desbrozadora/Cortabordes

## Batería y Cargador

**⚠ ADVERTENCIA:** Para reducir el riesgo de descarga eléctrica, no cargue la batería bajo la lluvia.

### Indicador LED de Nivel de Carga de la Batería

La batería de iones de litio está equipada con un indicador LED de nivel de carga. Para comprobar el nivel de carga de la batería, pulse el botón indicador en la parte delantera de la batería (Fig. 6).

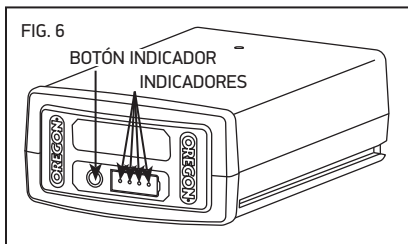
No hay luz: recargue.

Una luz verde fija:  
menos del 25% de la carga.  
Cargue la batería antes de su uso.

Dos luces verdes fijas:  
carga del 26-50%.

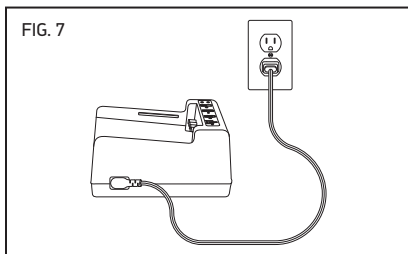
Tres luces verdes fijas:  
carga del 51-75 %.

Cuatro luces verdes fijas:  
carga del 76-100 %.



### Conexión del Cargador

Si el cargador incluye un cable de alimentación aparte, conecte el cable del cargador al cargador y a la toma de corriente adecuada (Fig. 7).



Utilice los cables suministrados únicamente con el cargador. En el primer uso, compruebe que el tipo de enchufe coincide con el receptáculo.

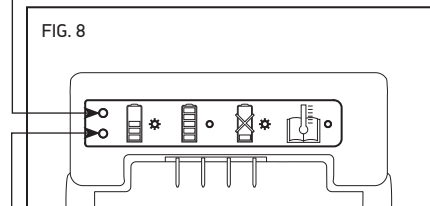
### Indicador LED de Estado de Carga

El cargador de la batería está equipado con un indicador LED de estado de carga que indica el estado de carga, así como condiciones que puedan retrasar o impedir la carga (Fig. 8).

Nota: Hasta que no se inserte una batería no se verán luces.

Luz naranja intermitente: existe un fallo. Hay varias causas posibles. Consulte el apartado "Solución de problemas" de este manual.

Luz naranja fija: la temperatura de la batería está fuera del intervalo aceptable (0°C a 40°C). Deje que la batería alcance el intervalo de temperatura aceptable antes de cargarla. La batería se puede dejar en el cargador mientras se ajusta la temperatura. La carga comenzará cuando se alcance la temperatura adecuada.



Luz verde intermitente: la batería se está cargando.

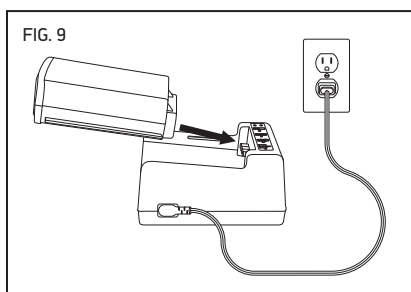
Luz verde fija: la batería está lista para su uso.



### Carga de la Batería

**⚠ ADVERTENCIA:** No seguir los procedimientos de carga adecuados puede provocar una tensión excesiva, un flujo de corriente excesivo, la pérdida de control durante la carga, una fuga de productos químicos peligrosos, generación de calor, explosión o incendio. Siga estas instrucciones de carga.

Con el cable del cargador conectado al cargador y enchufado a una toma de corriente, alinee las ranuras de la batería con los raíles del cargador y deslice la batería en el cargador hasta que esté completamente asentada (Fig. 9).

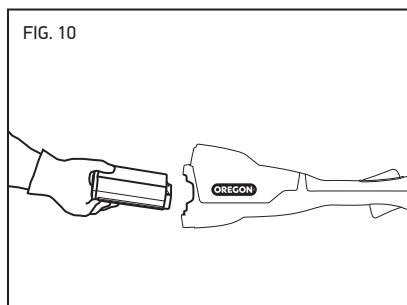


Compruebe el indicador de estado de carga para las condiciones de carga.

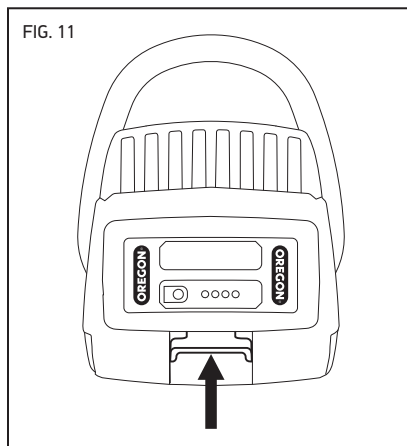
### Inserción y Liberación de la Batería

Utilice exclusivamente las baterías Oregon® especificadas en este manual de instrucciones.

Alinee la ranura de la batería con los raíles en el interior del puerto de la batería. Inserte firmemente la batería en el puerto de la batería de la desbrozadora/cortabordes, presionando hacia delante hasta que encaje en su sitio con un clic (Fig. 10).



Para extraer la batería, levante la pestaña de la batería, sujete ambos lados de la batería y retírela (Fig. 11).



## Funcionamiento General



**⚠ PRECAUCIÓN:** Para reducir el riesgo de lesiones, lleve siempre protecciones oculares y auditivas adecuadas, pantalones largos y calzado.

**IMPORTANTE:** Tenga cuidado alrededor de estructuras, árboles y arbustos para evitar dañar la pintura o la corteza.

### Temperatura de Trabajo

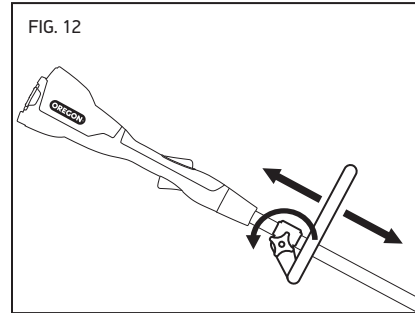
Esta desbrozadora/cortabordes está diseñada para funcionar dentro de un intervalo de temperatura de 0°C a 40°C.

**IMPORTANTE:** La desbrozadora/cortadora de bordes está equipada con un sensor de temperatura que detiene el motor para evitar daños por recalentamiento. Si la desbrozadora/cortadora de bordes deja de funcionar de repente, podría estar demasiado caliente para continuar funcionando. Permita que se enfríe antes de continuar trabajando. Consulte “Solución de Problemas” para obtener más información.

### Sujeción

La empuñadura delantera de la desbrozadora/cortabordes es ajustable. Puede mover la empuñadura hacia adelante o hacia atrás a lo largo del eje hasta que está en una posición cómoda para desbrozar o recortar bordes.

Afloje el botón giratorio de ajuste hasta que la empuñadura delantera se deslice a lo largo del eje, mueva la palanca a una posición cómoda y después apriete el botón de ajuste (Fig. 12).



Al usar la desbrozadora/cortabordes, agarre la parte delantera y trasera con firmeza.

### Postura de Pie

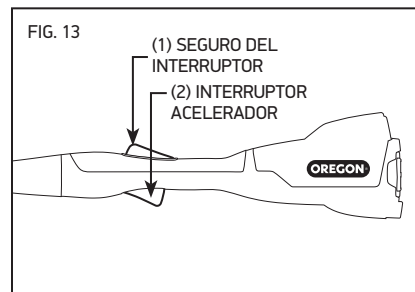
Manténgase de pie o camine con los dos pies bien apoyados. No se estire demasiado.

### Detención de la Desbrozadora/Cortabordes

Suelte el interruptor acelerador para detener la desbrozadora/cortabordes.

### Detención de la Desbrozadora/Cortabordes

Sujete las empuñaduras delantera y trasera con firmeza. Apriete el seguro del interruptor (1), y luego oprima el interruptor acelerador (2) hasta que el cabezal de corte se mueva a la velocidad deseada (Fig. 13).



### Control de la Velocidad del Cabezal de Corte

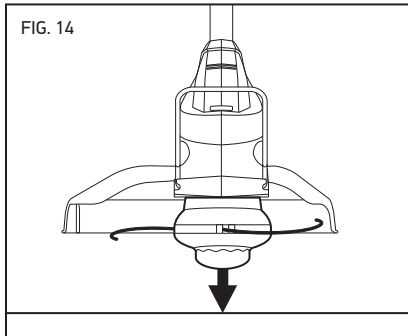
El interruptor acelerador controla la velocidad a la que gira el cabezal de corte. Oprima el interruptor acelerador con más fuerza para una velocidad de corte más rápida.

Utilice la menor presión necesaria para cortar el material. Esto ayuda a maximizar la cantidad de tiempo de corte por carga de batería y reduce el número de operaciones de carga necesarias.

### Avance del Hilo de Corte

El disco del GSL dura más que las cables de desbrozado convencionales. Sin embargo, el cable de desbrozado se desgastará con el paso del tiempo. Haga avanzar el cable golpeando con el cabezal contra el suelo para obtener más cable del disco.

Con el motor en marcha y el cabezal de corte girando, golpee el cabezal de corte contra el suelo (Fig. 14). Saldrá más cable del disco y la cuchilla de corte, situada en la parte baja del protector eliminará el exceso de cable..



Si no sale cable, el disco podría estar vacío. Apague la desbrozadora/ cortadora de bordes y sustituya el disco siguiendo las indicaciones de la sección "Sustitución del disco del GSL".

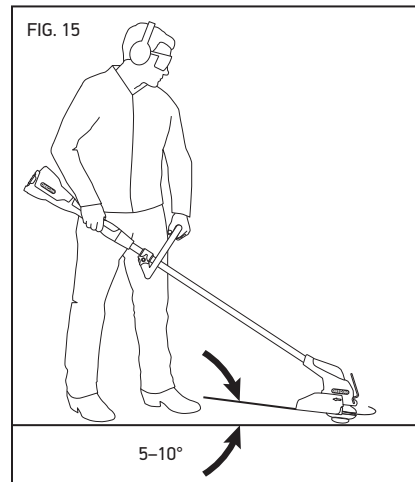
### Desbrozo



Mediante el desbrozo se corta la hierba y la maleza que está cerca de paredes, verjas y otras áreas demasiado pequeñas para llegar con una cortadora de césped, hasta una altura manejable, pero no hasta el nivel del suelo.

Adopte un buen agarre y postura y, a continuación, arranque la desbrozadora. Oprima el interruptor acelerador hasta que el cabezal de corte alcance la velocidad mínima necesaria para cortar la hierba o maleza.

Incline el cabezal de corte ligeramente hacia la dirección del corte (Fig. 15).



Empuje el cabezal de corte lentamente desde un lateral hacia la hierba o maleza a cortar, y mueva el cabezal de corte hacia atrás y adelante para que el extremo del hilo de corte entre en contacto con el material a cortar.

No permita que el hilo de corte toque el suelo.

## Recorte de Bordes

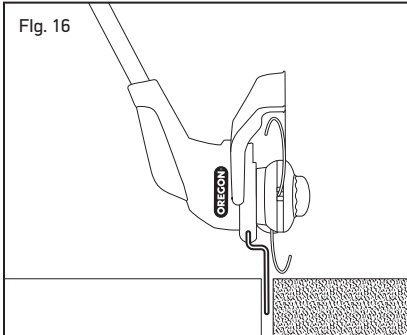


**⚠ PRECAUCIÓN:** Para reducir el riesgo de lesiones, mantenga la cubierta entre el operador y el cabezal de corte.

El recorte de bordes mantiene un borde existente entre el césped y otro objeto, como una acera, pavimento o parterre. La desbrozadora/cortabordes no está diseñada para crear un nuevo borde, pero es útil para mantener un borde existente limpio.

Mantenga las manos alejadas del interruptor acelerador y, a continuación, mueva la cubierta de recorte de bordes de manera que se extienda desde el cortador y encájela en su lugar.

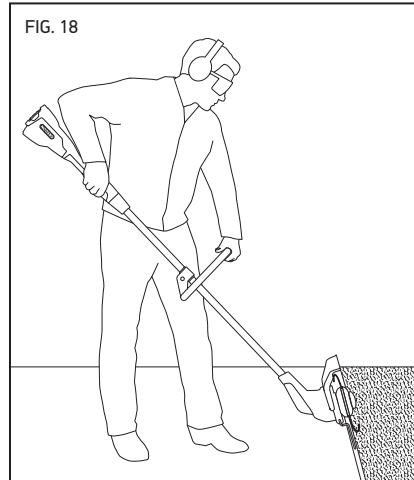
Acérquese al césped con la cortabordes encendida de modo que la parte inferior del cabezal de corte esté apuntando hacia el lado del césped y la guía cortabordes esté apuntando hacia el suelo. Coloque la guía cortabordes a lo largo del borde del césped. (Fig. 16).



En espacios reducidos, como contra una valla u otra barrera, se puede revertir el agarre en la empuñadura trasera y sujetar la desbrozadora/cortabordes en una posición más vertical (Fig. 17).



Para períodos de corte prolongados, puede girar la empuñadura delantera (Fig. 18). Esto puede proporcionar un agarre más cómodo.



# Mantenimiento y Limpieza

## Desbrozadora/Cortabordes



**⚠ ADVERTENCIA:** La falta de identificación y sustitución de las piezas dañadas o desgastadas puede causar lesiones graves. Inspeccione la desbrozadora/cortabordes regularmente. La inspección regular es el primer paso para un mantenimiento adecuado. Siga las pautas siguientes para maximizar la seguridad y la satisfacción. Sustituya de inmediato las piezas dañadas o muy desgastadas.

**⚠ ADVERTENCIA:** Una herramienta con batería con la batería insertada está siempre encendida y puede ponerse en marcha accidentalmente. Retire la batería de la desbrozadora/cortabordes antes de realizar tareas de inspección, limpieza o mantenimiento.

**PRECAUCIÓN:** Al limpiar la desbrozadora/cortabordes, no la sumerja en agua u otros líquidos.

### Inspección del Cabezal de Corte

- Asegúrese de que el cabezal de corte no presenta grietas u otros daños. Si está dañado, cámbielo. Pueden producirse lesiones graves si un cabezal de corte dañado se rompe durante el uso.
- Compruebe que el cabezal de corte gira libremente y que el hilo de corte avanza. Si el cabezal de corte no gira libremente, consulte "Corrección de Obstrucciones de Hierba".
- Si el cable se atasca o se enreda, abra el cabezal del GSL y compruebe el estado del disco. Desmonte o vuelva a instalar el disco en caso necesario..
- Inspeccione el protector de hierba para asegurarse de que no está agrietado, roto o suelto. Si está dañado, cámbielo.

### Inspección de las Empuñaduras

**⚠ ADVERTENCIA:** Pueden producirse lesiones graves si un cabezal de corte dañado se rompe durante el uso. Asegúrese de que tanto la empuñadura delantera como trasera están limpias, secas y no presentan grietas u otros daños.

### Inspección del Puerto de la Batería

Asegúrese de que el puerto de la batería está limpio, seco y libre de residuos. Si hubiese residuos en el puerto de la batería, la conexión eléctrica entre la batería y la desbrozadora/cortabordes podría fallar.

### Limpieza de la Desbrozadora/Cortabordes

- Limpie el polvo, las hojas y los recortes de la desbrozadora/cortabordes.
- Limpie las rejillas de ventilación para garantizar el flujo de aire adecuado y evitar el sobrecalentamiento.
- Quite la hierba o maleza enrollada alrededor del cabezal de corte y del eje.
- Limpie la carcasa del motor de corte con un paño limpio humedecido con jabón suave y agua.
- Nunca use limpiadores abrasivos o solventes.

**IMPORTANTE:** Mantenga las rejillas de ventilación despejadas y elimine los residuos en torno al cabezal de corte para ayudar evitar el sobrecalentamiento.

## Apertura del Gator® Speedload™ (GSL)

**⚠ ADVERTENCIA:** Una herramienta accionada por batería, con el paquete de batería instalado, siempre está activa y puede arrancar accidentalmente. Retire el paquete de batería de la desbrozadora/ cortadora de bordes antes de realizar trabajos de inspección, limpieza o mantenimiento

Si detecta un problema de funcionamiento del sistema de corte del GSL y debe inspeccionar el disco o el cabezal, siga estos pasos para abrir el cabezal del GSL:

- Retire la batería y coloque el la desbrozadora/ cortadora de bordes boca abajo.
- Presione el cabezal del GSL para liberar la parte inferior de la base (Fig. 19).

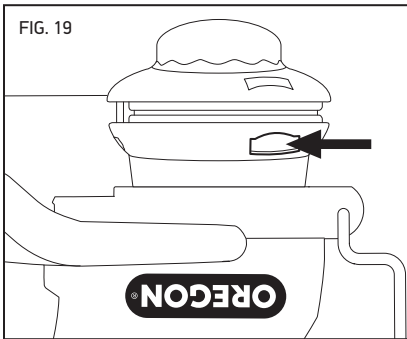


FIG. 19

## Cierre del Cabezal del GSL

- Compruebe el disco y limpie cualquier bloqueo o sustituya el disco. Consulte la sección "Sustitución del Gator® SpeedLoad™ (GSL)".
- Elimine los recortes, suciedad y residuos.
- Coloque el cabezal del GSL de nuevo sobre la base y presione firmemente hasta que oiga el "clic" (Fig. 20).

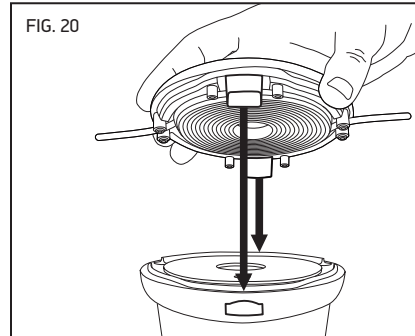
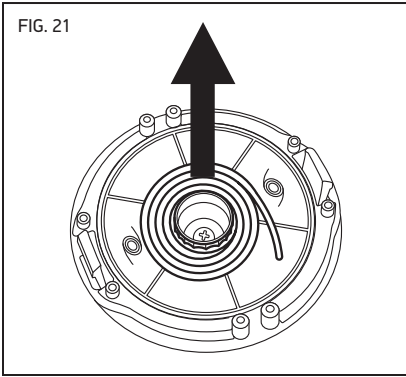


FIG. 20

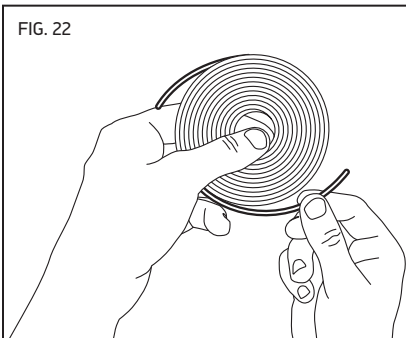
## Sustitución del Gator® Speedload™ (GSL)

La desbrozadora/cortadora de bordes está equipada con el innovador sistema de corte GSL. El cabezal del GSL incluye un disco con cable de desbrozado ya bobinado y incluido en el interior. El disco del GSL dura más tiempo que los cables de desbrozado convencionales. Desmontar y sustituir el disco es una tarea sencilla.

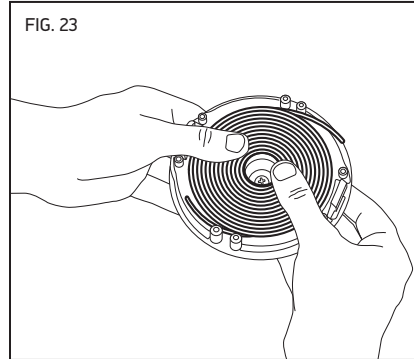
- Extraiga el cabezal de la base. Extraiga el disco gastado y deséchelo (Fig. 21).



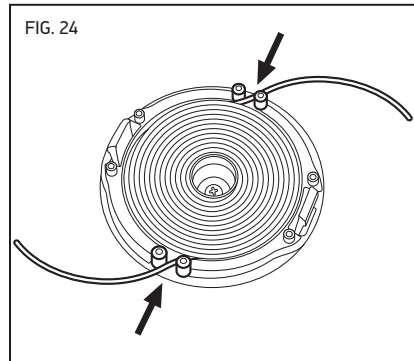
- Separe dos piezas del cable de desbrozado de los lados opuestos del disco. Asegúrese de que cada pieza se retire para crear una pequeña separación entre el cable separado y el disco (Fig. 22).



- Coloque el disco dentro del cabezal recubriendo el orificio del centro del disco con el orificio del dentro del cabezal. Presione el disco firmemente en su sitio (Fig. 23).



- Asegúrese de que los extremos del cable encajen a través de los dos juegos de espigas del cabezal (Fig. 24).



- Coloque el cabezal del GSL de nuevo sobre la base y presione firmemente hasta que oiga el "clic".

El innovador disco de lengüeta y ranura elimina la necesidad de ensartar el cable. Los discos duran más que los cables de desbrozado tradicionales.

## Desmontaje y Sustitución del Cabezal del Gator® Speedload™ (GSL)

Si el cabezal del GSL está agrietado o roto, debe desmontarse o sustituirse. Si se producen acumulaciones de recortes o residuos entre el cabezal y el protector, es más sencillo limpiar la desbrozadora/cortadora de bordes si desmonta primero el cabezal.

- Retire la batería y coloque el la desbrozadora/cortadora de bordes boca abajo.
- Siga las instrucciones de la sección “Apertura del Cabezal GSL.”
- Utilice un destornillador de cabeza plana para contener el husillo y gire la base de la desbrozadora en sentido antihorario para aflojar la tuerca central (Fig. 25).

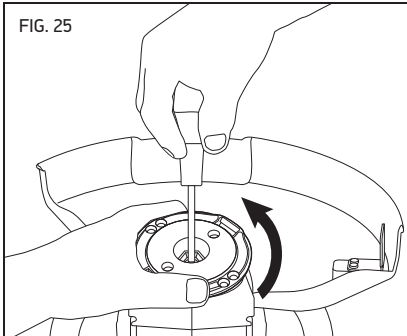


FIG. 25

- Extraiga la base del GSL.
- Retire el protector de enrollado de hierba del cabezal de la desbrozadora (Fig. 26).

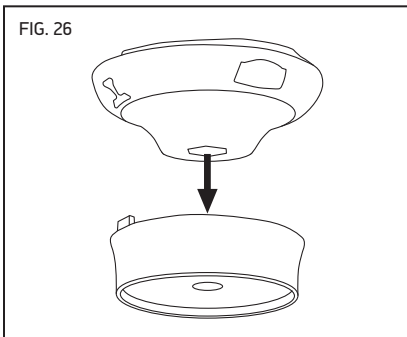


FIG. 26

- Inserte el nuevo protector de hierba.
- Para fijar un nuevo cabezal del GSL, deslice la tuerca a la apertura del centro del cabezal (Fig. 27).

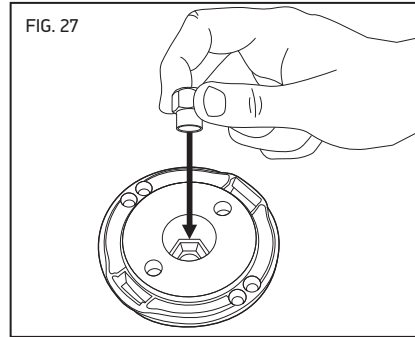


FIG. 27

- Coloque el cabezal del GSL dentro de la carcasa de la desbrozadora
- Apriete la tuerca firmemente (Fig. 28).

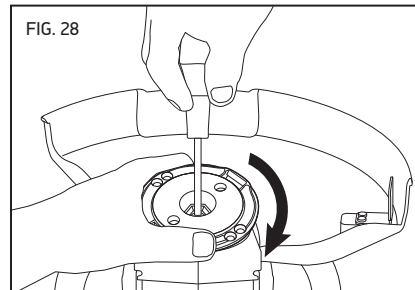


FIG. 28

- Siga las instrucciones de la sección “Carga de un Nuevo Disco de GSL” para colocar un nuevo disco de cable en la desbrozadora/cortadora de bordes.
- Cierre el cabezal.



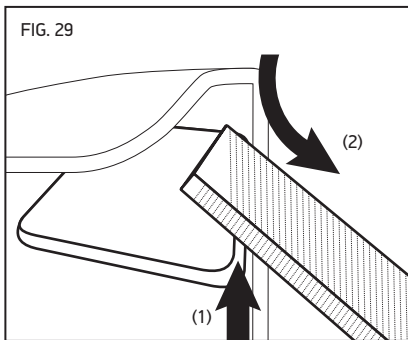
## Afilado de la Cuchilla de Corte del Hilo

Se recomienda que un proveedor de servicios de Oregon® afile la cuchilla de corte de hilo, pero también puede ser afilada por el operador.

Para el afilado de la cuchilla de corte de hilo se necesita una lima plana.

Después de coger la lima, póngase guantes y protección para los ojos y retire la batería.

- Coloque la desbrozadora sobre un lado con la cuchilla de corte de hilo hacia arriba y póngase delante de la parte inferior del cabezal de corte (Fig. 29).
- Coloque la lima en el borde de corte de la cuchilla de corte de hilo (1).
- Empuje la lima hacia abajo y hacia arriba, retirando el material del borde de corte (2).
- Repita hasta que la cuchilla de corte de hilo esté afilada.



## Corrección de Obstrucciones de Hierba

**⚠ PRECAUCIÓN:** Una herramienta con batería con la batería insertada está siempre encendida y puede ponerse en marcha accidentalmente. Quite siempre la batería antes de corregir una obstrucción de hierba para evitar la activación accidental del cabezal de corte.

Algunos tipos y longitudes de hierba a veces pueden quedar atrapados entre el cabezal de corte y el husillo. Cuando esto sucede, la hierba se enrolla rápidamente alrededor del eje obstruyendo el espacio entre el eje y el cabezal de corte y ralentizando o deteniendo la rotación del cabezal de corte. Esta condición se llama obstrucción de hierba. La desbrozadora/cortabordes está equipada con un protector de hierba entre el cabezal de corte y el husillo para ayudar a reducir las obstrucciones de hierba, pero la situación todavía puede producirse de vez en cuando.

**Para corregir una obstrucción de hierba:**

- Retire la batería.
- Retire el cabezal de corte.
- Limpie toda la hierba o malas hierbas del husillo. Si fuese necesario, corte la hierba o la maleza para liberarlas.
- Una vez el husillo esté limpio, sustituya el cabezal de corte.

## Batería

**⚠ ADVERTENCIA: No hay piezas que pueda reparar el usuario dentro de la batería. No la desmonte.**

Las baterías de iones de litio tienen una vida útil limitada. Si la cantidad de tiempo de corte por carga disminuye notablemente, la batería se encuentra al final de su vida útil y debe ser reemplazada.

- Asegúrese de que la batería y sus contactos están limpios, secos y no presentan signos de perforación, golpes o cualquier otro daño. Una batería rota puede provocar incendios o emitir sustancias químicas peligrosas.
- Limpie los contactos sucios con un paño suave y seco. La suciedad o el aceite pueden causar una mala conexión eléctrica, resultando en pérdida de potencia.

## Cargador

- Desconecte el cargador de la toma de corriente.
- Limpie los contactos sucios con un paño suave y seco.

## Solución de Problemas

Utilice esta tabla para ver posibles soluciones a posibles problemas con la desbrozadora/cortabordes. Si estas sugerencias no resuelven el problema, consulte el apartado "Garantía y Servicio".

SÍNTOMA	POSIBLE CAUSA	ACCIONES RECOMENDADAS
El motor no funciona o funciona de forma intermitente	La batería está descargada	Recárguela. Consulte "Batería y Cargador".
	No ha pulsado el seguro del interruptor	Presione el seguro del interruptor antes de pulsar el interruptor acelerador. Consulte "Funcionamiento General".
	La batería no está completamente insertada	Presione la batería en el puerto de la batería hasta que encaje.
	Los contactos de la batería están sucios	Retire la batería, retire los residuos del puerto de la batería, y luego limpie los contactos con un paño limpio y seco.
	La batería está fría	Deje que la batería se caliente a la temperatura de funcionamiento mínima de 0°C.
El motor funciona, pero el cabezal de corte no se mueve	Hierba atascada entre el cabezal de corte y el eje	Consulte "Corrección de Obstrucciones de Hierba".
La desbrozadora/cortabordes no corta correctamente	Hierba atascada entre el cabezal de corte y el eje	Consulte "Corrección de Obstrucciones de Hierba".
	Disco del GSL vacío	Consulte la sección "Sustitución del Disco del GSL".
El hilo de corte no entra	Disco del GSL vacío	Consulte la sección "Sustitución del Disco del GSL".
	Hilo de corte enredado	Desmontar el disco del GSL. Consulte la sección "Sustitución del Disco del GSL".
El hilo de corte se desgasta rápidamente	Velocidad de corte más rápida de lo necesario	Aplique una menor presión sobre el interruptor acelerador.
	Técnica de corte incorrecta	Evite forzar el cabezal de corte contra superficies duras. Mueva lentamente el cabezal de corte hasta que el borde del hilo de corte golpee la hierba o maleza.
La desbrozadora/cortabordes vibra excesivamente durante el uso	Cabezal del GSL dañado	Consulte "Extracción y Sustitución del Cabezal de Corte".
	Cabezal del GSL montado incorrectamente	Desmonte el cabezal del GSL y vuelva a montarlo, asegurándose de que la llave quede firmemente apretada. Consulte la sección "Desmontaje y Sustitución del Cabezal del Gator® SpeedLoad™ (GSL)".
	La cuchilla de corte de hilo está desafilada	Consulte "Afilado de la Cuchilla de Corte del Hilo".
El extremo del hilo de corte está raído, deshilachado o cortado de forma irregular	La cuchilla de corte de hilo está desafilada	Consulte "Afilado de la Cuchilla de Corte del Hilo".

SÍNTOMA	POSIBLE CAUSA	ACCIONES RECOMENDADAS
La batería no se carga	La protección de temperatura excesiva/insuficiente de la batería está activada	Esto puede ocurrir cuando la desbrozadora/cortabordes funciona de forma continua o se expone a temperaturas ambiente elevadas. Deje que la batería alcance el intervalo de temperatura aceptable antes de cargarla. Consulte "Batería y Cargador".
	Contactos sucios o dañados en la batería o el cargador	Inspeccione los contactos en la batería y el cargador. Limpie según se describe en "Mantenimiento y Limpieza" y, a continuación, vuelva a insertarla en el cargador y asegúrese de que está bien colocada.
	La batería se encuentra al final de su vida útil	Todas las baterías tienen una vida útil limitada. Si la batería tiene más de dos años y ha sido recargada con frecuencia, tal vez sea hora de reemplazarla. Reemplácela solo por la batería especificada para esta desbrozadora/cortabordes.
	Cargador defectuoso	Llévelo a un centro de servicio autorizado para que comprueben su funcionamiento.
Tiempo de corte menor por carga de batería	Técnica de corte incorrecta	Siga las instrucciones de la operación que esté realizando. Consulte "Desbrozo" o "Recorte de Bordes".
	Velocidad de corte más rápida de lo necesario	Aplique una menor presión sobre el interruptor acelerador.
	Hierba atascada entre el cabezal de corte y el eje	Consulte "Corrección de Obstrucciones de Hierba".
	La batería no está completamente cargada	Consulte "Batería y Cargador".
Luz naranja intermitente en el indicador de estado de carga	Cargador cortocircuitado, corriente excesiva en el cargador, límite de tensión superado, circuito abierto en la batería, o error de tiempo de carga/precarga	<ol style="list-style-type: none"> <li>1. Asegúrese de que el cable del cargador está conectado al cargador y a la toma de corriente.</li> <li>2. Asegúrese de que el cargador está recibiendo la tensión correcta.</li> <li>3. Intente cargar otra batería diseñada para este cargador.</li> </ol> <p>Si esto no corrige el problema, llévela a un centro de servicio autorizado para que comprueben su funcionamiento</p>

## Especificaciones y Componentes

COMPONENTES DE REPUESTO		NÚMERO DE PIEZA	
Hilo de corte Gator® Speedload™		24-280-03	
Batería, modelo B600E		548208	
Batería, modelo B400E		545938	
Cargador con cable, modelo C600		540580	
Cargador rápido con cable, modelo C750		548185	
CARGADOR, MODELO C600			
Entrada	100-240 V~ 50-60 HZ 60 W		
Entrada (EE.UU. y Canadá solamente)	120 V~ 60 Hz 60 W		
Salida	41,5 V $\overline{=}$ 1,25 A		
Cable de alimentación	US/CAN P/N: 546636 EU P/N: 547383 UK P/N: 547384 AU/NZ P/N: 560663		
CARGADOR, MODELO C750			
Entrada	100-240 V~ 50-60 Hz 260 W		
Entrada (EE.UU. y Canadá solamente)	120V~ 60 Hz 260 W		
Salida	41 V $\overline{=}$ 4,6 A		
Cable de alimentación	US/CAN P/N: 585068 EU P/N: 585069 UK P/N: 585070 AU/NZ P/N: 585073		
BATERÍA			
Tipo	Ion de Litio		
Temperatura de trabajo	0°C A 40°C		
Modelo	Capacidad, nominal	Tensión, nominal	Tiempo de carga (aprox.) C600
B600E	4,00 Ah / 144 Wh	+36 VDC	210 minutos
B400E	2,40 Ah / 89 Wh	+37 VDC	120 minutos
DESBROZADORA/CORTABORDES			
Diámetro franja	320 mm (13 in)		
Calibrador hilo máx.	2,4 mm (0,095 in) recomendado 2,0 mm (0,080 in)		
Peso con B600E	4,3 kg (9,4 lb)		
Peso con B400E	4,3 kg (9,4 lb)		
Velocidad de corte sin carga	6.250 RPM		
Potencia acústica	90 dB L <sub>WA</sub> (K, 0,18 dB)		
Vibración	0,95 m/s <sup>2</sup> (K, .11 m/s <sup>2</sup> )		

## Garantía y Servicio

### Garantía

Blount, Inc. ofrece una garantía de tres (3) años de duración para las Herramientas inalámbricas y los Cargadores Oregon® registrados y de dos (2) años de duración para los módulos de Baterías inalámbricas Oregon® registrados a partir de la fecha de la compra original. Las Herramientas inalámbricas, los Módulos de Baterías y los Cargadores Oregon® registrados tienen una garantía de dos (2) años de duración si se utilizan para fines comerciales. Esta garantía limitada se aplica a los productos del Sistema de herramientas inalámbricas marca Oregon®. Durante el período de garantía, Blount reemplazará o, según su decisión, reparará sin cargo toda pieza o producto adquirido por el comprador original y cuyo material o fabricación presenten fallas según el criterio de Blount después de examinarlos. El comprador deberá hacerse responsable de los gastos de transporte y de cualquier gasto por la extracción de cualquier pieza que deba ser reemplazada durante la vigencia de esta garantía.

Para registrar su producto, visite la sección "Support" (Soporte) de **OregonCordless.com**.

### Información sobre Servicio Técnico y Soporte

Visítenos en Internet, en **OregonCordless.com**, a fin de obtener información sobre los centros de servicio técnico, o comuníquese con nuestro departamento de servicio al cliente llamando al 1.888.313.8665, a fin de obtener asistencia, asesoramiento técnico adicional, reparaciones o piezas de repuesto.

Por su seguridad, use solo repuestos originales de fábrica en las herramientas eléctricas. Nuestro centro de atención al cliente cuenta con personal capacitado que le brindará un servicio de asistencia y soporte técnico eficiente al momento de ajustar, reparar o cambiar cualquier producto del Sistema de herramientas inalámbricas Oregon®.





**OregonProducts.com**

---

Blount International, Inc.  
4909 SE International Way  
Portland, OR 97222-4679 USA