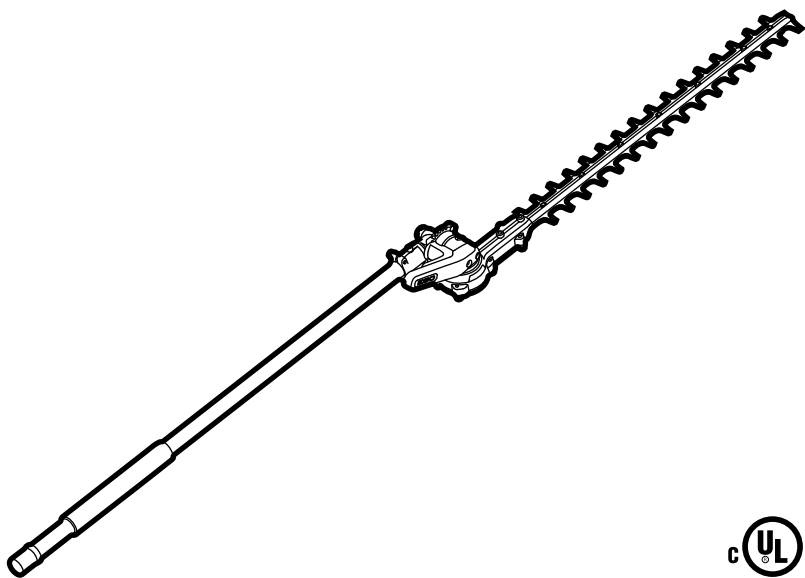


EGO™



OPERATOR'S MANUAL
**HEDGE TRIMMER
ATTACHMENT**
MODEL NUMBER HTA2000

EXCLUSIVELY FOR USE WITH 56V LITHIUM-ION POWER HEAD PH1400

Français p. 33

Español p. 67

⚠ WARNING: To reduce the risk of injury, the user must read and understand the Operator's Manual before using this product. Save these instructions for future reference.

TABLE OF CONTENTS

Safety Symbols	4
Safety Instructions.....	5-13
Introduction	13
Specifications	14
Packing List	14
Description	15-16
Assembly	16-20
Operation	20-23
Maintenance	23-28
Troubleshooting.....	29
Warranty	30-31

READ ALL INSTRUCTIONS!



READ & UNDERSTAND
OPERATOR'S MANUAL

⚠ WARNING: Some dust created by power cutting contains chemicals known to the state of California to cause cancer, birth defects or other reproductive harm. Some examples of these chemicals are:

- Lead from lead-based paints.
- Crystalline silica from bricks and cement and other masonry products, and
- Arsenic and chromium from chemically-treated lumber.

Your risk from these exposures varies, depending on how often you do this type of work. To reduce your exposure to these chemicals: work in a well ventilated area, and work with approved safety equipment, such as those dust masks that are specially designed to filter out microscopic particles.

SAFETY SYMBOLS

The purpose of safety symbols is to attract your attention to possible dangers. The safety symbols and the explanations with them deserve your careful attention and understanding. The symbol warnings do not, by themselves, eliminate any danger. The instructions and warnings they give are no substitutes for proper accident prevention measures.

⚠ WARNING: Be sure to read and understand all safety instructions in this Operator's Manual, including all safety alert symbols such as **"DANGER," "WARNING,"** and **"CAUTION"** before using this tool. Failure to following all instructions listed below may result in electric shock, fire, and/or serious personal injury.

SYMBOL MEANING

⚠ SAFETY ALERT SYMBOL: Indicates **DANGER, WARNING, OR CAUTION.** May be used in conjunction with other symbols or pictographs.



⚠ WARNING! The operation of any power tools can result in foreign objects being thrown into your eyes, which can result in severe eye damage. Before beginning power tool operation, always wear safety goggles or safety glasses with side shield and a full face shield when needed. We recommend a Wide Vision Safety Mask for use over eyeglasses or standard safety glasses with side shields. Always use eye protection which is marked to comply with ANSI Z87.1.

SAFETY INSTRUCTIONS

This page depicts and describes safety symbols that may appear on this product. Read, understand, and follow all instructions on the machine before attempting to assemble and operate it.

	<p>Safety Alert</p>	<p>Indicates a potential personal injury hazard.</p>
	<p>Read & Understand Operator's Manual</p>	<p>To reduce the risk of injury, user must read and understand the operator's manual before using this product.</p>
	<p>Wear Eye Protection</p>	<p>Always wear safety goggles or safety glasses with side shields and a full face shield when operating this product.</p>
	<p>Wear Head Protection</p>	<p>Wear an approved safety hard hat to protect your head.</p>
	<p>Keep sufficient distance away from electrical power lines</p>	<p>To prevent electrocution, do not operate within 50 ft. (15m) of overhead electrical lines. Contact with or use near power lines may cause serious injury or electric shock resulting in death.</p>
	<p>Recycle Symbols</p>	<p>This product uses lithium - ion (Li - ion) batteries. Local, state, or federal laws may prohibit disposal of batteries in ordinary trash. Consult your local waste authority for information regarding available recycling and/or disposal options.</p>
<p>IPX4</p>	<p>Ingress Protection Degree</p>	<p>Protection from splashing water</p>

V	Volt	Voltage
mm	millimeter	Length or size
in.	Inch	Length or size
kg	Kilogram	Weight
lb	Pound	Weight

GENERAL POWER TOOL SAFETY WARNINGS

⚠ WARNING! Read all safety warnings and all instructions. Failure to follow the warnings and instructions may result in electric shock, fire and/or serious injury.

Save all warnings and instructions for future reference.

The term “power tool” in the warning refers to your mains-operated (corded) power tool or battery-operated (cordless) power tool.

WORK AREA SAFETY

- **Keep work area clean and well lit.** Cluttered or dark areas invite accidents.
- **Do not operate power tools in explosive atmospheres, such as in the presence of flammable liquids, gases or dust.** Power tools create sparks which may ignite the dust or fumes.
- **Keep children and bystanders away while operating a power tool.** Distractions can cause you to lose control.

ELECTRICAL SAFETY

- **Power tool plugs must match the outlet. Never modify the plug in any way. Do not use any adapter plugs with earthed (grounded) power tools.** Unmodified plugs and matching outlets will reduce risk of electric shock.
- **Avoid body contact with earthed or grounded surfaces, such as pipes, radiators, ranges and refrigerators.** There is an increased risk of electric shock if your body is earthed or grounded.
- **Do not expose power tools to rain or wet conditions.** Water entering a power tool will increase the risk of electric shock.
- **Do not abuse the cord. Never use the cord for carrying, pulling or unplugging the power tool. Keep cord away from heat, oil, sharp edges or moving parts.** Damaged or entangled cords increase the risk of electric shock.
- **When operating a power tool outdoors, use an extension cord suitable for outdoor use.** Use of a cord suitable for outdoor use reduces the risk of electric shock.
- **If operating a power tool in a damp location is unavoidable, use a GFCI protected supply.** Use of a GFCI reduces the risk of electric shock.

PERSONAL SAFETY

- **Stay alert, watch what you are doing and use common sense when operating a power tool. Do not use a power tool while you are tired or under the influence of drugs, alcohol or medication.** A moment of inattention while operating power tools may result in serious personal injury.
- **Use personal protective equipment. Always wear eye protection.** Protective equipment such as dust mask, non-skid safety shoes, hard hat, or hearing protection used for appropriate conditions will reduce personal injuries.
- **Prevent unintentional starting. Ensure the switch is in the off-position before connecting to power source and/or battery pack, picking up or carrying the tool.** Carrying power tools with your finger on the switch or energizing power tools that have the switch on invites accidents.
- **Remove any adjusting key or wrench before turning the power tool on.** A wrench or a key left attached to a rotating part of the power tool may result in personal injury.
- **Do not overreach. Keep proper footing and balance at all times.** This enables better control of the power tool in unexpected situations.
- **Dress properly. Do not wear loose clothing or jewelry. Keep your hair, clothing and gloves away from moving parts.** Loose clothes, jewelry or long hair can be caught in moving parts.
- **If devices are provided for the connection of dust extraction and collection facilities, ensure these are connected and properly used.** Use of dust devices can reduce dust-related hazards.

POWER TOOL USE AND CARE

- **Do not force the power tool. Use the correct power tool for your application.** The correct power tool will do the job better and more safely at the rate for which it was designed.
- **Do not use the power tool if the switch does not turn it on and off.** Any power tool that cannot be controlled with the switch is dangerous and must be repaired.
- **Disconnect the plug from the power source and/or the battery pack from the power tool before making any adjustments, changing accessories, or storing power tools.** Such preventive safety measures reduce the risk of starting the power tool accidentally.

- **Store idle power tools out of the reach of children and do not allow persons unfamiliar with the power tool or these instructions to operate the power tool.** Power tools are dangerous in the hands of untrained users.
- **Maintain power tools. Check for misalignment or binding of moving parts, breakage of parts and any other condition that may affect the power tools operation. If damaged, have the power tool repaired before use.** Many accidents are caused by poorly maintained power tools.
- **Keep cutting tools sharp and clean.** Properly maintained cutting tools with sharp cutting edges are less likely to bind and are easier to control.
- **Use the power tool, accessories, tool bits, etc. in accordance with these instructions, taking into account the working conditions and the work to be performed.** Use of the power tool for operations different from those intended could result in a hazardous situation.

BATTERY TOOL USE AND CARE

- **Recharge only with the charger specified by the manufacturer.** A charger that is suitable for one type of battery pack may create a risk of fire when used with another battery pack.
- **Use power tools only with specifically designated battery packs.** Use of any other battery packs may create a risk of injury and fire.
- **When battery pack is not in use, keep it away from other metal objects, like paper clips, coins, keys, nails, screws or other small metal objects that can make a connection from one terminal to another.** Shorting the battery terminals together may cause burns or a fire.
- **Under abusive conditions, liquid may be ejected from the battery; avoid contact. If contact accidentally occurs, flush with water.** If liquid contact eyes, additionally seek medical help. Liquid ejected from the battery may cause irritation or burns.

SERVICE

- **Have your power tool serviced by a qualified repair person using only identical replacement parts. This will ensure that the safety of the power tool is maintained.**

SAFETY INSTRUCTIONS FOR HEDGE TRIMMER

⚠ DANGER – Keep hands away from blade. Contact with blade will result in serious personal injury.

- **Keep all parts of the body away from the cutter blade. Do not remove cut material or hold material to be cut when blades are moving. Make sure the switch is off when clearing jammed material. Blades coast after turn off.** A moment of inattention while operating the hedge trimmer may result in serious personal injury.
- **Carry the hedge trimmer by the handle with the cutter blade stopped. When transporting or storing the hedge trimmer always fit the cutting device cover.** Proper handling of the hedge trimmer will reduce possible personal injury from the cutter blades.
- **Hold the power tool by insulated gripping surfaces only, because the cutter blade may contact hidden wiring.** Cutter blades contacting a “live” wire may make exposed metal parts of the power tool “live” and could give the operator an electric shock.
- **Keep cable away from cutting area.** During operating the cable may be hidden in shrubs and can be accidentally cut by the blade.

SAFETY INSTRUCTIONS FOR EXTENDED HEDGE TRIMMER

- **Do not use the extended-reach hedge trimmer in bad weather conditions, especially when there is a risk of lightning.** This decreases the risk of being struck by lightning.
- **To reduce the risk of electrocution, never use near any electrical power lines.** Contact with or use near power lines may cause serious injury or electric shock resulting in death.
- **Always use two hands when operating the extended-reach hedge trimmer.** Hold the extended-reach hedge trimmer with both hands to avoid loss of control.
- **Always use head protection when operating the extended-reach hedge trimmer overhead.** Falling debris can result in serious personal injury.

⚠ WARNING! Only use with handle assembled to hedge trimmer. The use of the hedge trimmer without the proper handle provided may result in serious personal injury.

- **Clear the area to be cut before each use. Check the hedge for foreign objects, e.g. wire fences.**
- **Do not use on a ladder, rooftop, tree, or other unstable support.** Stable footing on a solid surface enables better control of the hedge trimmer in unexpected situations.
- **Do not overreach. Keep proper footing and balance at all times. Special care must be taken in slippery conditions (wet ground, snow) and in difficult, overgrown terrain. Watch for hidden obstacles such as tree stumps, roots and ditches to avoid fallen branches, scrub and cuttings. Be extremely cautious when working on slopes or uneven ground.**
- **Observe the cutting blades at all times – do not cut any area if the hedge that you cannot see. When cutting the top of a taller hedge, check the other side of the hedge frequently for bystanders, animals and obstructions.**
- **Do not grasp the exposed cutting blades or cutting edges when picking up or holding the hedge trimmer.**
- **On machines with a defined transport position (cutting blade folded flat against the hedge trimmer shaft): Never start the machine in the transport position, since the blades are not engaged in that position and you therefore cannot visually check to see that they will be stopped at idle when you start to adjust the cutting blade to the desired cutting position (where the blades are engaged).**
- **Check damaged parts before further use of the hedge trimmer. Any part that is damaged should be carefully checked to determine that it will operate properly and perform its intended function. Check for alignment of moving parts, binding of moving parts, breakage of parts, mounting, and any other condition that may affect its operation. Any part that is damaged should be properly repaired or replaced by an authorized service center unless indicated elsewhere in this manual.**
- **Check the blade and motor mounting bolts at frequent intervals for proper tightness. Also, visually inspect blade for damage (e.g., bent, cracked, and worn). Replace the blade only with a blade from EGO™.**
- **Replace the blade if it is bent or cracked. An unbalanced blade causes vibration that could damage the motor drive unit or cause personal injury.**
- **If the equipment should start to vibrate abnormally, stop the motor and check immediately for the cause. Vibration is generally a warning of trouble.**

- **Never allow children to operate the hedge trimmer.**
- The trimmer shall be used to cut stems less than 1" (26mm) thick.
- Trim only in daylight or in good artificial light.
- Follow instructions for lubricating and sharpening.
- Keep handles dry, clean and free from oil and grease.

ADDITIONAL WARNINGS

- **Do not charge the battery pack in rain or in wet locations.**
- **Use only with the battery packs and chargers listed below:**

BATTERY	CHARGER
BA1120, BA1400, BA2240	CH5500
BA2800, BA4200	CH2100

- The battery pack must be removed from the appliance before it is scrapped.
- The battery shall be disposed of safely.
- **Do not dispose of the battery in a fire.** The cells may explode. Check with local codes for possible special disposal instructions.
- **Do not open or mutilate the battery.** Released electrolyte is corrosive and may cause damage to the eyes or skin. It may be toxic if swallowed.

⚠ CAUTION! The electrolyte is a dilute sulfuric acid that is harmful to the skin and eyes. It is electrically conductive and corrosive.

- **Exercise care in handling batteries in order not to short the battery with conducting materials such as rings, bracelets, and keys.** The battery or conductor may overheat and cause burns.
- **Replacement Parts** - When servicing, use only identical EGO replacement parts. Use of any other accessory or attachment may increase the risk of injury.
- **Battery tools do not have to be plugged into an electrical outlet; therefore, they are always in operating condition.** Be aware of possible hazards even when the tool is not operating. Take care when performing maintenance or service.
- **Remove or disconnect the battery pack before servicing, cleaning or removing material from the hedge trimmer.**
- **Do not wash with a hose; avoid getting water in motor and electrical connections.**

- **Store the tool in a dry and high or locked location out of reach of children.**
- **If situations occur that are not covered in this manual, use care and good judgment. Contact the EGO Customer Service Center for assistance.**
- **Save these instructions.** Refer to them frequently and use them to instruct others who may use this tool. If you lend this tool to someone else, also lend these instructions to them to prevent misuse of the product and possible injury.

SAVE THESE INSTRUCTIONS!

NOTE: SEE YOUR POWER HEAD OPERATOR'S MANUAL FOR ADDITIONAL SPECIFIC SAFETY RULES.

INTRODUCTION

Congratulations on your selection of the EGO HEDGE TRIMMER ATTACHMENT. It has been designed, engineered and manufactured to give you the best possible dependability and performance.

Should you experience any problem you cannot easily remedy, please contact EGO customer service center 1-855-EGO-5656.

This manual contains important information on to the safe assembly, operation and maintenance of your product. Read it carefully before using the product. Keep this manual handy so you can refer to it at any time.

SERIAL NUMBER _____ DATE OF PURCHASE _____
YOU SHOULD RECORD BOTH SERIAL NUMBER AND DATE OF PURCHASE AND KEEP IN A SAFE PLACE FOR FUTURE REFERENCE.

SPECIFICATIONS

Blade Length	20" (510mm)
Cutting Capacity	1" (26mm)
Weight (including blade guard)	5.40lbs (2.45kg)

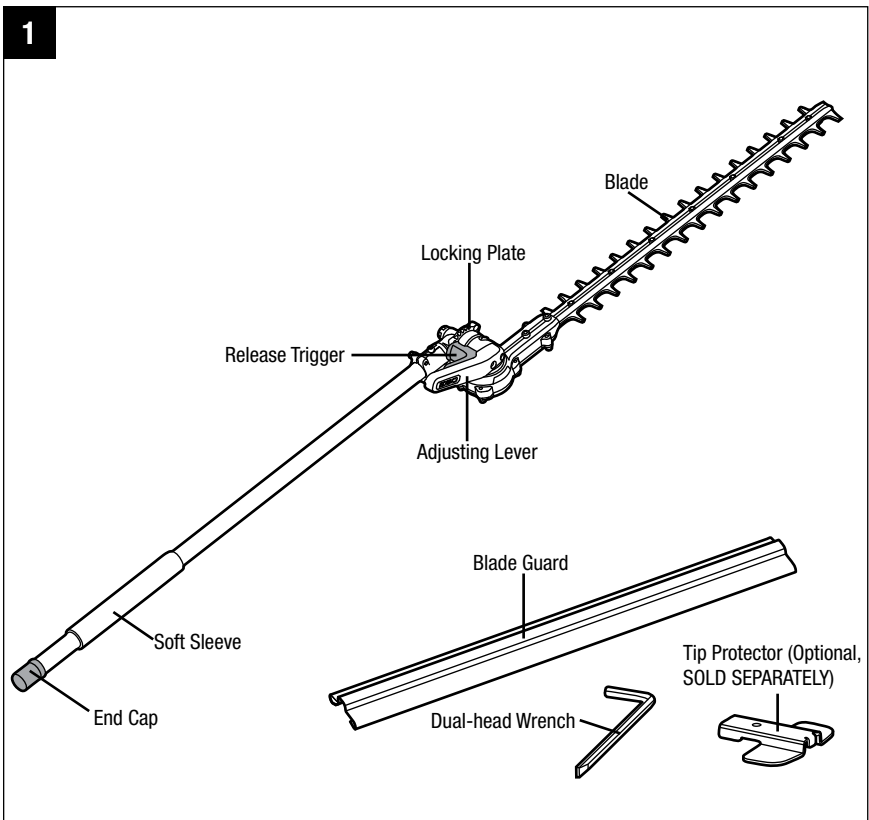
PACKING LIST

PART NAME	QUANTITY
Hedge Trimmer Attachment	1
Blade Guard	1
Dual-head Wrench	1
Operator's Manual	1

DESCRIPTION

KNOW YOUR HEDGE TRIMMER ATTACHMENT (Fig.1)

The safe use of this product requires an understanding of the information on the tool and in this operator's manual, as well as knowledge of the project you are attempting. Before using this product, familiarize yourself with all operating features and safety rules.



End Cap

Protects shaft from intrusion of dirt and debris when not in use.

Soft Sleeve

For comfort and control.

Dual-head Wrench

Lock/unlocks the hex head lubrication bolt.

Tip protector (Optional, SOLD SEPARATELY)

Protects the outer end of the blade. It is sold separately. If there is a need, please visit the website egopowerplus.com. Model Number: ATP2000.

Blade

Hardened steel blades for cutting hedges and shrubs.

Blade Guard

Safeguards against contact with the sharp blades when the tool is not in use. Protects the blades from damage when the tool is in transportation and storage.

Release Trigger/Adjusting Lever/Locking Plate

Adjusts the hedge trimmer blade to the desired working position.

ASSEMBLY

⚠ WARNING! If any parts are damaged or missing, do not operate this product until the parts are replaced. Use of this product with damaged or missing parts could result in serious personal injury.

⚠ WARNING! Do not attempt to modify this product or create accessories not recommended for use with this product. Any such alteration or modification is misuse and could result in a hazardous condition leading to possibly serious personal injury.

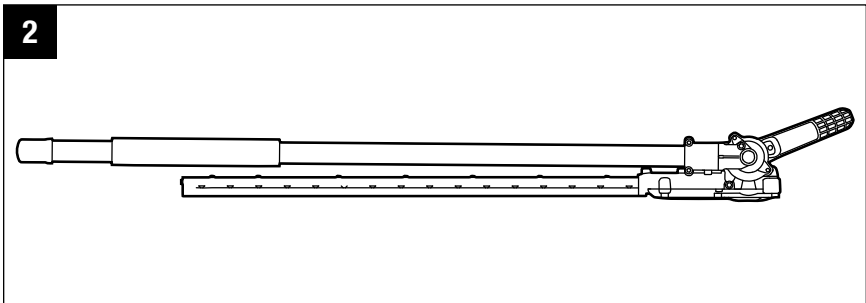
⚠ WARNING! Never attach or adjust any attachment while the power head is running or with the battery installed. Failure to stop the motor and remove the battery may cause serious personal injury.

UNPACKING

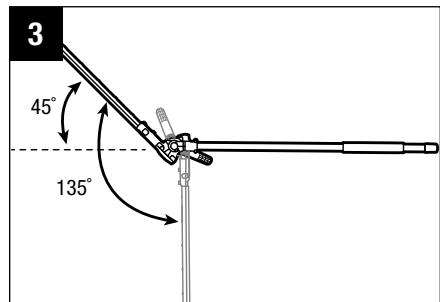
- This product requires assembly.
- Carefully remove the product and any accessories from the box. Make sure that all items listed in the packing list are included.
- Inspect the tool carefully to make sure that no breakage or damage occurred during shipping.
- Do not discard the packing material until you have carefully inspected and satisfactorily operated the tool.
- If any parts are damaged or missing, please return the product to the place of purchase.

ADJUSTING THE BLADE

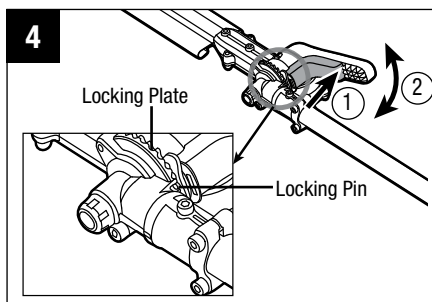
When the hedge trimmer is removed from the package, it is folded in its storage position with the blade against the shaft (Fig. 2). Adjust the blade to a suitable working position before attaching it to the power head.



There are 12 possible working positions (Fig. 3). The angle of the blade can be adjusted upwards to any of 5 positions, from 0 (straight) to 45, and downwards to any of 7 positions, from 0 to 90 (right angle facing down).



1. While pressing the release trigger, rotate the adjusting lever to adjust the blade to the desired cutting position (Fig. 4).
2. Once the desired position has been reached, release the release-trigger. An audible click indicates that the locking pin is engaged in the locking plate (Fig. 4).



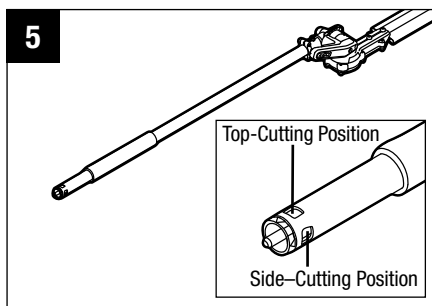
⚠ WARNING! To reduce the risk of injury, remove the battery before making adjustments and make adjustments only when the blades are at a standstill. Never touch the blades while making adjustments.

⚠ WARNING! To reduce the risk of injury, always stop the tool, remove the battery, and cover the blade with the blade guard before moving the blade to the storage position or from the storage position to the normal working position.

CONNECTING THE HEDGE TRIMMER ATTACHMENT TO THE POWER HEAD

This hedge trimmer attachment is designed for use with EGO Power Head PH1400. The hedge trimmer may be attached in either the top-cutting or the side-cutting position (Fig. 5). For detailed working techniques, please see “**WORKING TECHNIQUES**” section in this manual.

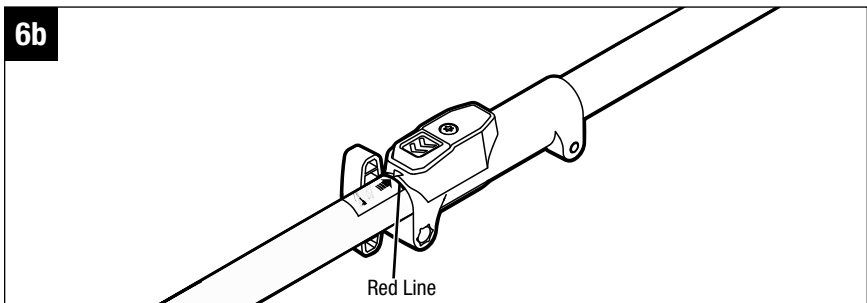
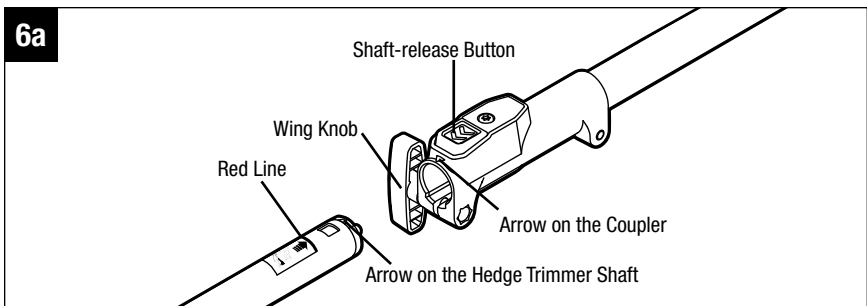
The hedge trimmer attachment connects to the power head by means of a coupler device.



1. Stop the motor and remove the battery pack.
2. Loosen the wing knob.

3. Remove the end cap from the hedge trimmer attachment and place it in a safe place for later use. Align the arrow on the hedge trimmer shaft with the arrow on the coupler (Fig. 6a) and push the hedge trimmer shaft into the coupler until you hear a clear “click” sound. The coupler should be positioned all the way to the RED LINE labeled on the shaft that the hedge trimmer shaft is properly mounted into place (Fig. 6b).
4. Pull on the shaft of the hedge trimmer to verify that it is securely locked into the coupler. If not, rotate the hedge trimmer shaft from side to side in the coupler until it snaps into place.
5. Tighten the wing knob securely.

⚠ WARNING! Be certain the wing knob is fully tightened before operating the tool and check it periodically for tightness during use to avoid serious personal injury.

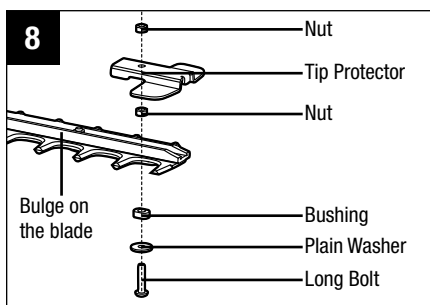
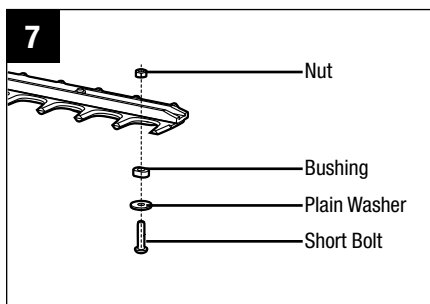


REMOVING THE ATTACHMENT FROM THE POWER HEAD

1. Stop the motor and remove the battery pack.
2. Loosen the wing knob.
3. Press the shaft-release button and, with the button pressed, pull or twist the hedge trimmer shaft out of the coupler to separate it from the power head.

MOUNTING THE TIP PROTECTOR (Available separately)

1. Use a 3mm hex wrench (not included) to remove the short bolt, plain washer, bushing and nut at the end of the blade (Fig. 7). Save the plain washer, bushing and nut for reassembly.
2. Align the tip protector with the bulge on the blade and mount it into place. Secure it with the new long bolt and nut as well as the saved washer, bushing and nut (Fig. 8).



OPERATION

⚠ DANGER: Never cut near power lines, electric cords, or other electric

sources. If the blades jam on any electrical cord or line, **DO NOT TOUCH THE BLADE OR THE ALUMINUM POLE! THEY CAN BECOME ELECTRICALLY LIVE AND MAY BE VERY DANGEROUS.** Continue to hold the hedge trimmer by the insulated rear handle or lay it down and away from you in a safe manner. Disconnect the electrical service to the damaged line or cord before attempting to free the blade from the line or cord. Contact with the blade, other conductive parts of the hedge trimmer, or live electric cords or lines will result in death by electrocution or serious injury.

⚠ WARNING: Do not allow familiarity with this product to make you careless. Remember that a careless fraction of a second is sufficient to inflict serious injury.

⚠ WARNING: Always wear eye protection comply with ANSI Z87.1. Failure to do so could result in objects being thrown into your eyes and other possible serious injuries.

⚠ WARNING: To prevent serious personal injury, remove the battery pack from the tool before servicing, cleaning, changing attachments or removing material from the unit.

Before each use, inspect the entire product for damaged, missing, or loose parts such as screws, nuts, bolts, caps, etc. Tighten securely all fasteners and caps and do not operate this product until all missing or damaged parts are replaced.

APPLICATIONS

You may use this product for trimming hedges, shrubs, scrub, bushes and similar material with a branch diameter of less than 1 inch.

USING THE HEDGE TRIMMER WITH POWER HEAD

⚠ WARNING: Dress properly to reduce the risk of injury when operating this tool. Do not wear loose clothing or jewelry. Wear eye and ear/hearing protection. Wear heavy, long pants, boots, and gloves. Do not wear short pants or sandals or go barefoot.

PREPARATION FOR CUTTING

Refer to “SAFETY INSTRUCTIONS” earlier in this manual for appropriate safety equipment.

1. Adjust the cutting blade to the desired working position.
2. Remove the blade guard from the blade.

WORKING TECHNIQUES

- **Horizontal Cutting (with blade at an angle)**

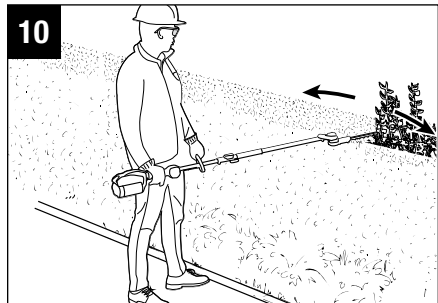
Cut close to the ground from a standing position, e.g. for trimming low shrubs.

Swing the blade right and left as you move along the hedge – use both sides of the blades and do not rest the cutter blade on the ground (Fig. 9).



- **Horizontal Cutting (with straight blade)**

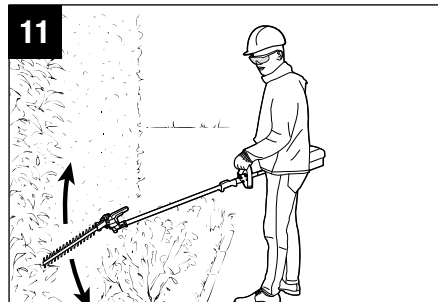
Hold the blade at an angle of 0° to 10° as you slowly swing the hedge trimmer horizontally. Swing the blade in an arc towards the outsides of the hedge so that the cuttings are swept to the ground (Fig. 10).



Recommendation: Cut hedges that are no more than chest height in this working position.

- **Vertical Cutting (with blade at an angle)**

This is useful when cutting without standing directly next to the hedge, e.g. , there is a flowerbed between operator and hedge.



In this situation, it is best to connect the hedge trimmer to the power head in the side-cutting position (see Fig. 5).

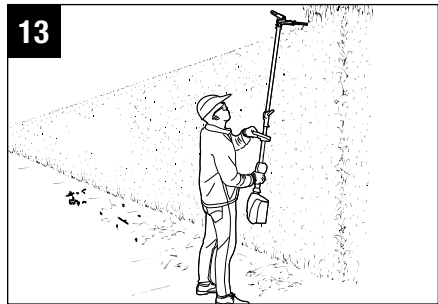
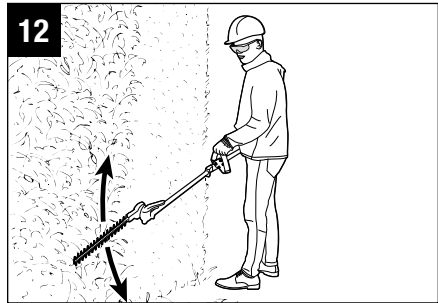
Slowly swing the blade up and down in an arc as you move along the hedge – use both sides of the cutting blade (Fig. 11).

- **Vertical Cutting (with straight blade)**

Slowly swing the blade up and down in an arc as you move along the hedge – use both sides of the blade (Fig. 12).

- **Overhead Cutting (with blade at an angle)**

Hold the hedge trimmer vertically and slowly swing it in an arc to make maximum use of its reach (Fig. 13).



⚠ WARNING: Any overhead working position is tiring. To minimize the risk of accidents, work in such positions for short periods only. Set the angle of the blade to maximum so that the tool can be held in a lower, less tiring position while still providing adequate reach.

TO START/STOP THE TOOL

See "STARTING/STOPPING THE POWER HEAD" section in the power head PH1400 operator's manual.

MAINTENANCE

⚠ WARNING: When servicing, use only identical replacement parts. Use of any other parts may create a hazard or cause product damage. To ensure safety and reliability, all repairs should be performed by a qualified service technician.

⚠ WARNING: To prevent serious personal injury, remove the battery pack from the power head before inspecting, cleaning, performing maintenance or changing add-on attachments. A battery operated tool with the battery pack inserted is always on and can start accidentally.

GENERAL MAINTENANCE

Avoid using solvents when cleaning plastic parts. Most plastics are susceptible to damage from various types of commercial solvents and may be damaged by their use. Use a clean cloth to remove dirt, dust, oil, grease, etc.

⚠ WARNING: When cleaning the hedge trimmer attachment, DO NOT immerse it in water or other liquids.

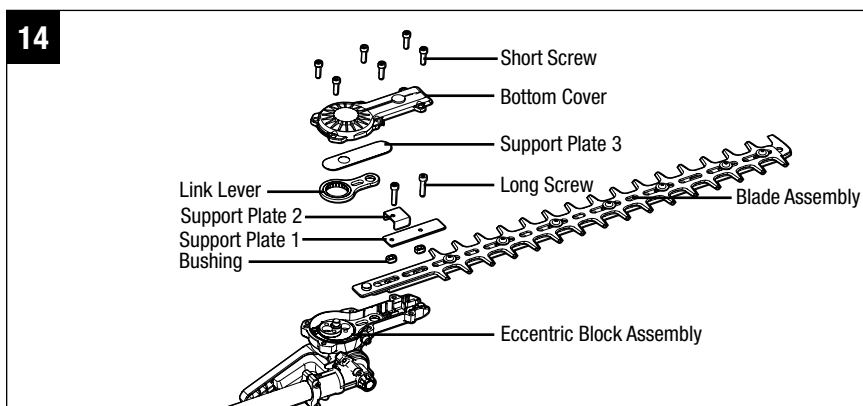
CLEANING

- Use a soft brush to remove debris from all air intakes and cutting blades.
- To remove pitch and other sticky residue, spray the blades with resin solvent. Run the motor briefly so that the solvent is evenly distributed.
- Do not use any strong detergents on the plastic housing or the handle. They can be damaged by certain aromatic oils, such as pine and lemon, and by solvents such as kerosene. Moisture can also cause a shock hazard. Wipe off any moisture with a soft dry cloth. NEVER use water for cleaning the tool.

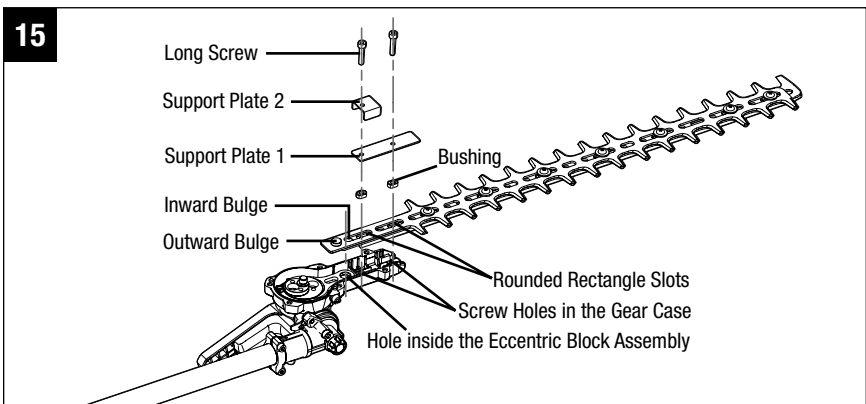
All hedge trimmer service, other than the items listed in these maintenance instructions, should be performed by competent hedge trimmer service personnel.

REPLACING THE BLADE

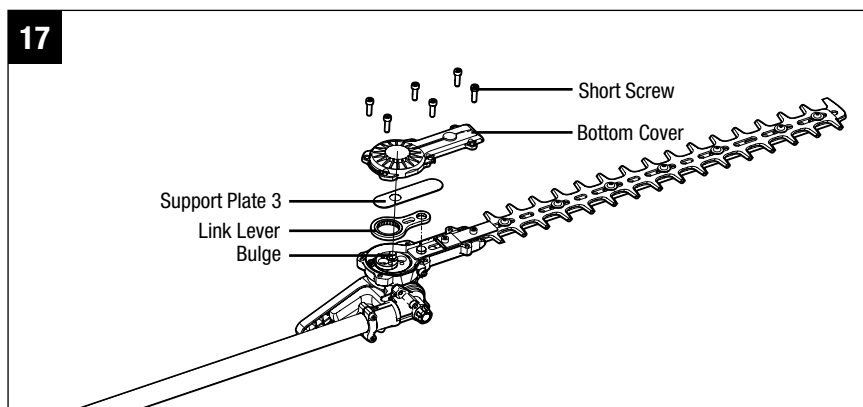
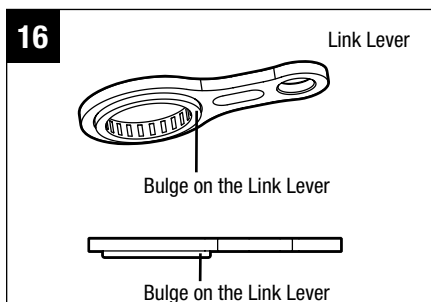
⚠ WARNING: Always wear gloves when handling the blade; these components are very sharp and may contain burrs.



1. Stop the motor and remove the battery pack.
2. Adjust the blade to the horizontal position, ensuring that the blade assembly is in line with the hedge trimmer shaft for easy mounting (Fig. 14).
3. Use a 4mm hex wrench (not included) to loosen the 6 screws (short screws) in the bottom cover and remove them.
4. Continue loosening the 2 screws (long screws) to remove the support plate 1 & 2, as well as the 2 bushings. The 2 bushings are separately located inside the two rounded rectangle slots in the blade assembly.
5. Remove the support plate 3.
6. Carefully remove the link lever from the blade.
7. Remove the blade assembly from the tool and replace it with a new one.
8. Align the inward bulge on the new blade assembly with the hole inside the eccentric block assembly to install the new blade assembly into place.
9. Insert the two bushings into the two rounded rectangle separately.
10. Mount the support plate 1 and then mount the support plate 2.
11. Keep the inside holes in the blade, the bushings, and the holes in the support plates in line with the screw holes in the gear case. Install the 2 long screws into the aligned holes and tighten them securely (Fig.15).



12. Slightly move the upper blade back and forth to check whether the blade can move freely. If not, reassemble the blades until the upper blade can move freely.
13. Install the link lever with its bulge facing the blade (Fig.16).
14. Align the hole of support plate 3 with the bulge on the eccentric block assembly to install the support plate into place, ensuring that the plate is exactly located in the center, parallel to both edges.
15. Mount the bottom cover onto the gear case and secure it with 6 short screws (Fig. 17).



16. Start the hedge trimmer to check whether the hedge trimmer can work normally. If it does not, reassemble following the above steps.

SHARPENING THE BLADE

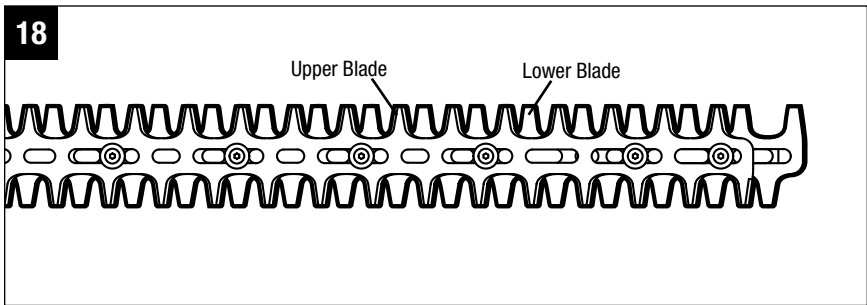
When cutting performance and behavior begin to deteriorate, re-sharpen the blades. It is recommended to have the blades re-sharpened by a qualified service technician.

NOTICE: Do not operate your hedge trimmer with dull or damaged blades. This may cause overload and will give unsatisfactory cutting results.

LUBRICATING THE BLADE

To prevent rust, it is recommended to lubricate the blades with anti-rusting oil when it is stored for long time.

If the upper blades are aligned completely with the lower ones, start the hedge trimmer and then stop it to offset the blades before lubrication (Fig.18).



⚠ WARNING: Blades are sharp. When handling the blade assembly, wear non-slip, heavy-duty protective gloves. Do not place your hand or fingers between blades or in any position where they could get pinched or cut. NEVER touch blades or service the unit with battery pack installed.

TRANSMISSION GEARS LUBRICATION

The transmission gears in the gear case need to be lubricated periodically with gear grease. Check the gear case grease lever approximately every 50 hours of operation by removing the sealing screw on the gear case. There are three sealing screws: one on the side and two on the top.

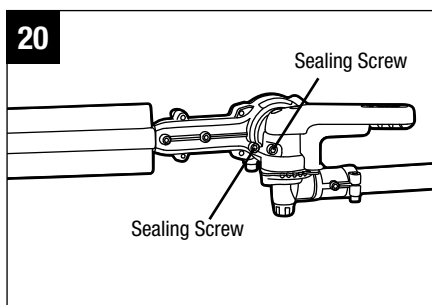
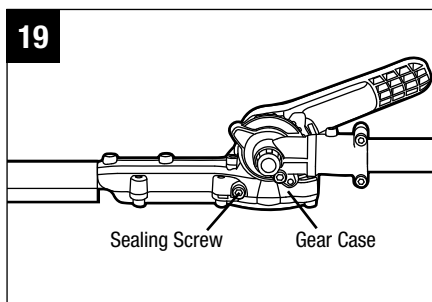
If no grease can be seen on the flanks of the gear, follow the steps below to fill with gear grease to 3/4 capacity.

Do not completely fill the transmission gears.

1. Depending on which screw you are removing, lay the hedge trimmer on its back or hold it on its side so that the sealing screw to be removed is facing upwards (Fig. 19 & 20).
2. Use the dual-head wrench provided to loosen and remove the sealing screw.
3. Use a grease gun (not included) to inject some grease into the screw hole; do not exceed 3/4 capacity.
4. Tighten the sealing screw after injection.

TRANSPORTING AND STORING

- Remove the battery pack from the tool.
- Clean the tool thoroughly before storing it.
- Put on the blade guard onto the cutting blade before storing or transporting. Use caution to avoid the sharp teeth of the blades. For saving space, fold the hedge trimmer to its storage position (see Fig. 2).
- If the hedge trimmer is removed from the power head and stored separately, fit the end cap onto the hedge trimmer shaft to avoid getting dirt into the coupler.
- Store the unit in a dry, well-ventilated area, locked-up or up high, out of the reach of children. Do not store the unit on or adjacent to fertilizers, gasoline, or other chemicals.



TROUBLESHOOTING

PROBLEM	CAUSE	SOLUTION
Hedge trimmer doesn't work.	<ul style="list-style-type: none"> ■ The battery pack is not attached to the power head. ■ No electrical contact between the trimmer and battery. ■ The battery pack is depleted. ■ The lock-off button is not pressed before pressing the trigger switch. ■ The battery pack or power head is too hot. ■ The blade is jammed. ■ The hedge trimmer is not well connected with the power head. 	<ul style="list-style-type: none"> ■ Attach the battery pack to the power head. ■ Remove battery, check contacts and reinstall the battery pack. ■ Charge the battery pack. ■ Press down the lock-off lever and hold it, then press the trigger to turn on the hedge trimmer. ■ Allow the battery pack or power head to cool until the temperature drops below 152°F (67°C). ■ Remove the battery pack from the tool. Remove the obstruction carefully and then reinsert the battery and restart the tool. ■ Disconnect the hedge trimmer from the power head. Reconnect them following the section “ CONNECTING THE HEDGE TRIMMER ATTACHMENT TO THE POWER HEAD ” in this manual.
Excessive vibration or noise.	<ul style="list-style-type: none"> ■ Dry or corroded blades. ■ Blades or blade support is bent. ■ Bent or damaged teeth. ■ Loose blade bolts. 	<ul style="list-style-type: none"> ■ Lubricate the blades. ■ Replace with a new blade or support following the section “ REPLACING THE BLADE ” in this manual or contact EGO service center for replacement. ■ Replace with a new blade following the section “ REPLACING THE BLADE ” in this manual or contact EGO service center for replacement. ■ Tighten the blade bolts. Using a 3mm hex wrench (not included), turn the bolt clockwise to tighten.



WARRANTY

EGO WARRANTY POLICY

5 year limited warranty on EGO outdoor power equipment and 3 year limited warranty on EGO Power+ System battery packs and chargers.

Please contact EGO Customer Service Toll-Free at 1-855-EGO-5656 any time you have questions or warranty claims.

LIMITED SERVICE WARRANTY

FOR FIVE YEARS from the date of original retail purchase, this EGO product is warranted against defects in material or workmanship. Defective product will receive free repair.

FOR THREE YEARS from the date of original retail purchase, the EGO Power+ System battery pack and charger are warranted against defects in material or workmanship. Defective product will receive free repair.

This warranty does not cover routine maintenance parts and consumables that can wear out from normal use within the warranty period.

- a) This warranty applies only to the original purchaser from an authorized EGO retailer and may not be transferred. Authorized EGO retailers are identified online at <http://egopowerplus.com/pages/warranty-policy>.
- b) The warranty period for any EGO product or part used for industrial, professional or commercial purpose is one year.
- c) This warranty is void if the product has been used for rental purpose.
- d) This warranty does not cover the damage resulting from modification, alteration or unauthorized repair.
- e) This warranty only covers defects arising under normal usage and does not cover any malfunction, failure or defect resulting from misuse, abuse (including overloading of the product beyond capacity and immersion in water or other liquid), accidents, neglect or lack of proper installation, and improper maintenance or storage.
- f) This warranty does not cover normal deterioration of the exterior finish, including but not limited to scratches, dents, paint chips, or to any corrosion or discoloring by heat, abrasive and chemical cleaners.

HOW TO OBTAIN SERVICE

For warranty service, please contact EGO customer service toll-free at **1-855-EGO-5656**. When requesting warranty service, you must present the original dated sales receipt. An authorized service center will be selected to repair the product according to the stated warranty terms.

ADDITIONAL LIMITATIONS

To the extent permitted by applicable law, all implied warranties, including warranties of MERCHANTABILITY or FITNESS FOR A PARTICULAR PURPOSE, are disclaimed. Any implied warranties, including warranties of merchantability or fitness for a particular purpose, that cannot be disclaimed under state law are limited to five years from the date of purchase for outdoor power equipment and three years from date of purchase for battery pack and charger.

Chervon North America is not responsible for direct, indirect, incidental or consequential damages.

Some states do not allow limitations on how long an implied warranty lasts and/or do not allow the exclusion or limitation of incidental or consequential damages, so the above limitations may not apply to you.

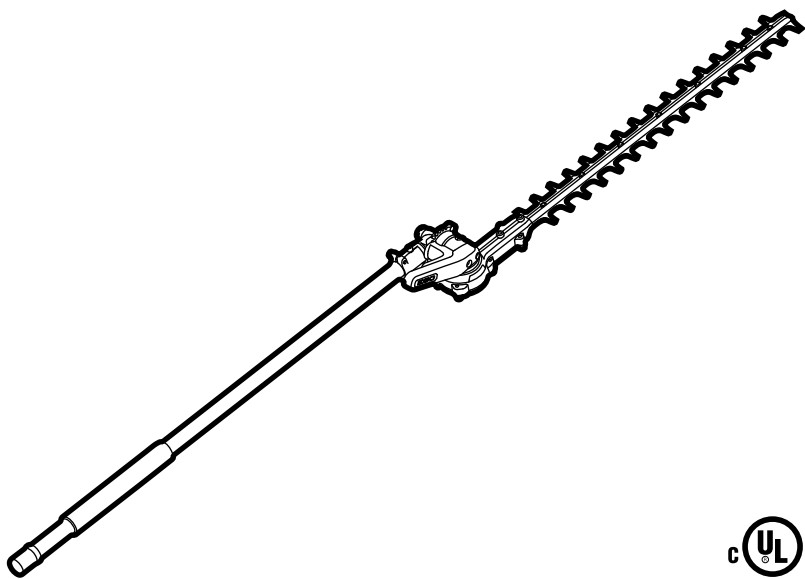
This warranty gives you specific legal rights, and you may also have other rights which vary from state to state.

For customer service contact us toll-free at:

1-855-EGO-5656 or EGOPOWERPLUS.COM

EGO Customer Service, 120 Ionia Street SW / Suite 102 Grand Rapids, MI 49503

EGO™



GUIDE D'UTILISATION
**TAILLE-HAIE
AMOVIBLE**
NUMÉRO DE MODÈLE HTA2000

À UTILISER SEULEMENT AVEC LA TÊTE D'ALIMENTATION PH1400 AU LITHIUM-ION DE 56 VOLTS

⚠ AVERTISSEMENT : Afin de réduire les risques de blessure, l'utilisateur doit lire et comprendre le guide d'utilisation avant d'utiliser ce produit. Conservez le présent guide afin de pouvoir le consulter ultérieurement.

TABLE DES MATIÈRES

Symboles de sécurité	36
Consignes de sécurité	37-46
Introduction	47
Caractéristiques techniques	48
Liste des éléments contenus dans l'emballage	48
Description	49-50
Assemblage	50-54
Fonctionnement	54-57
Entretien	57-62
Dépannage	63-64
Garantie	65-66

LISEZ TOUTES LES INSTRUCTIONS!



**ASSUREZ-VOUS DE LIRE ET DE COMPRENDRE
LE GUIDE D'UTILISATION**

⚠ AVERTISSEMENT : Certaines poussières produites par l'utilisation d'outils de coupe électriques contiennent des produits chimiques reconnus par l'État de Californie comme causes de cancers, d'anomalies congénitales et de problèmes du système reproducteur. Voici des exemples de ces produits chimiques :

- Plomb provenant de peintures à base de plomb.
- Silice cristallisée contenue dans les briques, le ciment et d'autres produits de maçonnerie; et
- Arsenic et chrome contenus dans le bois d'œuvre traité avec des produits chimiques.

Les risques liés à l'exposition à ces produits varient en fonction de la fréquence à laquelle vous effectuez ce type de travaux. Pour réduire votre exposition à ces produits chimiques, travaillez dans une zone bien ventilée et portez l'équipement de sécurité approuvé, comme les masques antipoussières conçus pour ne pas laisser passer les particules microscopiques.

SYMBOLES DE SÉCURITÉ

L'objectif des symboles de sécurité est d'attirer votre attention sur les dangers potentiels. Vous devez examiner attentivement et bien comprendre les symboles de sécurité et les explications qui les accompagnent. Les symboles d'avertissement en tant que tels n'éliminent pas le danger. Les consignes et les avertissements qui y sont associés ne remplacent en aucun cas les mesures préventives adéquates.

⚠ AVERTISSEMENT : Avant d'utiliser ce taille-haie, assurez-vous de lire et de comprendre toutes les consignes de sécurité présentées dans le présent guide d'utilisation, notamment toutes les consignes de sécurité indiquées par « DANGER », « AVERTISSEMENT » et « ATTENTION ». Le non-respect des consignes de sécurité ci-dessous peut occasionner une décharge électrique, un incendie ou des blessures graves.

SIGNIFICATION DES SYMBOLES

⚠ SYMBOLE D'ALERTE DE SÉCURITÉ : Indique un DANGER, un AVERTISSEMENT ou une MISE EN GARDE. Il peut être associé à d'autres symboles ou pictogrammes.




⚠ AVERTISSEMENT! L'utilisation de tout outil électrique peut entraîner la projection de corps étrangers dans les yeux et ainsi causer des lésions oculaires graves. Avant d'utiliser un outil électrique, veillez à toujours porter des lunettes de sécurité couvrantes ou à écrans latéraux, ou un masque complet au besoin. Nous recommandons le port d'un

masque de sécurité panoramique par-dessus les lunettes de vue ou de lunettes de sécurité standard avec écrans latéraux. Portez toujours des lunettes de sécurité conformes à la norme ANSI Z87.1.

CONSIGNES DE SÉCURITÉ

Vous trouverez ci-dessous les symboles de sécurité qui peuvent être présents sur le produit, accompagnés de leur description. Vous devez lire, comprendre et suivre toutes les instructions présentes sur l'appareil avant d'entamer son assemblage ou sa manipulation.

	Alerte de sécurité	Indique un risque de blessure.
	Assurez-vous de lire et de comprendre le guide d'utilisation	Afin de réduire les risques de blessure, l'utilisateur doit lire et comprendre le guide d'utilisation avant d'utiliser ce produit.
	Porter des lunettes de sécurité	Lorsque vous utilisez ce produit, portez toujours des lunettes de protection ou de sécurité à écrans latéraux et un masque de protection complet.
	Porter un casque protecteur	Portez un casque de sécurité approuvé pour protéger votre tête.
	Gardez une distance suffisante par rapport aux lignes électriques	Pour éviter l'électrocution, n'utilisez pas cet équipement à moins de 15,24 m (50 pi) des lignes électriques aériennes. Le contact ou l'utilisation à proximité des lignes électriques peut causer des blessures graves ou des décharges électriques entraînant la mort.

	Symboles de recyclage	Le produit fonctionne à l'aide d'une pile au lithium-ion (Li-ion). La législation locale, provinciale ou fédérale peut interdire la mise au rebut des piles dans les ordures ménagères. Consultez l'organisme local de gestion des déchets au sujet des possibilités offertes en ce qui concerne la mise au rebut ou le recyclage.
IPX4	Indice de protection	Protection contre les éclaboussures d'eau
V	Volt	Tension
mm	Millimètre	Longueur ou taille
po	Pouce	Longueur ou taille
kg	Kilogramme	Poids
lb	Livre	Poids

AVERTISSEMENTS DE SÉCURITÉ GÉNÉRAUX POUR LES OUTILS ÉLECTRIQUES

⚠ AVERTISSEMENT : Lisez tous les avertissements et toutes les instructions. Le fait de ne pas respecter les avertissements et les instructions peut occasionner un choc électrique ou des blessures graves.

Conservez tous les avertissements et toutes les instructions afin de pouvoir les consulter ultérieurement.

Le terme « outil électrique » dans un avertissement désigne votre outil électrique (avec cordon) alimenté par le secteur ou votre outil électrique (sans fil) alimenté par un bloc-pile.

SÉCURITÉ DE L'AIRE DE TRAVAIL

- **Maintenez l'aire de travail propre et bien éclairée.** Les aires de travail sombres et encombrées sont propices aux accidents.
- **Ne faites pas fonctionner d'outil électrique dans un environnement explosif, par exemple en présence de poussière, de gaz ou de liquides inflammables.** Les outils électriques provoquent des étincelles qui peuvent enflammer la poussière ou les émanations.
- **Maintenez les enfants et les observateurs à l'écart lorsque vous manipulez l'outil électrique.** Une distraction peut vous faire perdre la maîtrise de l'outil.

SÉCURITÉ ÉLECTRIQUE

- **Les fiches des outils électriques doivent correspondre à la prise. Ne modifiez jamais la fiche de quelque façon que ce soit. N'utilisez pas d'adaptateur avec les outils électriques mis à la terre.** L'utilisation de fiches non modifiées dans les prises compatibles réduit les risques de décharge électrique.
- **Évitez de toucher à des surfaces mises à la terre, par exemple, un tuyau, un radiateur, une cuisinière ou un réfrigérateur.** Le contact du corps avec une surface mise à la terre augmente les risques de décharge électrique.

- **N'exposez pas les outils électriques à la pluie ni à aucun autre liquide.** L'infiltration d'eau dans un outil électrique augmente les risques de choc électrique.
- **N'utilisez pas le cordon d'alimentation de façon à l'endommager. Ne transportez jamais un outil électrique en le tenant par son cordon, et ne tirez jamais sur le cordon pour le débrancher. Tenez le cordon d'alimentation éloigné des sources de chaleur, de l'huile, des objets coupants et des pièces mobiles.** Un cordon endommagé ou emmêlé augmente les risques de décharge électrique.
- **Lorsque vous utilisez un outil électrique à l'extérieur, utilisez une rallonge adaptée à un usage à l'extérieur.** L'utilisation d'une rallonge adaptée à l'extérieur réduit les risques de décharge électrique.
- **S'il est impossible d'éviter d'utiliser un appareil électrique dans un endroit humide, utilisez une alimentation protégée par un disjoncteur différentiel.** L'utilisation d'un disjoncteur différentiel réduit les risques de décharge électrique.

SÉCURITÉ PERSONNELLE

- **Soyez vigilant, prêtez attention à ce que vous faites et usez de votre jugement lorsque vous utilisez un outil électrique. N'utilisez pas un outil électrique lorsque vous êtes fatigué ou sous l'effet de drogues, d'alcool ou de médicaments.** Un moment d'inattention lorsque vous utilisez des outils électriques peut occasionner des blessures graves.
- **Utilisez un équipement de protection. Portez toujours un équipement de protection oculaire.** Le port d'un équipement de protection (comme un masque antipoussières, des chaussures de protection antidérapantes, un casque de sécurité ou un dispositif de protection auriculaire) dans les conditions adéquates permet de réduire les risques de blessure.
- **Évitez tout démarrage involontaire. Veillez à ce que l'interrupteur soit en position d'arrêt avant de connecter le produit au courant ou au bloc-pile, de le ramasser ou de le transporter.** Transporter un outil électrique en ayant le doigt sur l'interrupteur ou transporter un outil électrique avec l'interrupteur en position de marche est propice aux accidents.
- **Enlevez toute clé de serrage ou clé à molette avant de mettre l'outil électrique en marche.** Une clé de serrage ou une clé à molette en contact avec une pièce rotative de l'outil électrique peut occasionner des blessures.

- **Ne tendez pas les bras trop loin. Gardez une posture sécuritaire et un bon équilibre en tout temps.** Cela permet de mieux contrôler l'outil électrique dans des situations inattendues.
- **Habillez-vous de manière appropriée. Ne portez pas de vêtements ni de bijoux qui peuvent s'accrocher.** Maintenez vos cheveux, vos vêtements et vos gants à l'écart des pièces mobiles. Des vêtements, des bijoux ou de longs cheveux peuvent se coincer dans les pièces mobiles.
- **Si des dispositifs sont fournis pour le branchement d'équipement de dépoussiérage et de collecte de la poussière, veillez à ce qu'ils soient branchés et utilisés de manière appropriée.** L'emploi d'un dépoussiéreur contribue à réduire les dangers liés à la poussière.

UTILISATION ET ENTRETIEN DE L'OUTIL ÉLECTRIQUE

- **Ne forcez pas l'outil électrique. Utilisez l'outil électrique approprié à la tâche que vous souhaitez accomplir.** L'utilisation de l'outil électrique approprié permet d'obtenir de meilleurs résultats, de façon plus sécuritaire, selon le régime de fonctionnement prévu.
- **N'utilisez pas l'outil électrique si l'interrupteur ne permet pas de le mettre en marche et de l'arrêter.** Tout outil électrique qui ne peut être commandé au moyen de l'interrupteur est dangereux et doit être réparé.
- **Déconnectez la prise de la source d'alimentation ou l'outil électrique du bloc-pile avant de le ranger ou de procéder à un ajustement ou à un changement d'accessoire.** Ces mesures de sécurité préventives réduisent les risques de mettre accidentellement l'outil électrique en marche.
- **Rangez l'outil électrique à l'arrêt hors de la portée des enfants et n'autorisez pas une personne ne sachant pas s'en servir ou n'ayant pas lu ces instructions à l'utiliser.** Les outils électriques sont dangereux lorsqu'ils sont maniés par des utilisateurs inexpérimentés.
- **Entretenez l'outil électrique. Vérifiez l'alignement des pièces mobiles, leur fixation et leur état et s'il y a tout autre problème pouvant nuire au fonctionnement de l'outil électrique.** Si l'outil électrique est endommagé, faites-le réparer avant de l'utiliser. Beaucoup d'accidents sont attribuables au mauvais entretien d'un outil.
- **Maintenez les outils de découpe affûtés et propres.** Des outils de découpe aux lames affûtées risquent moins de s'accrocher et sont plus faciles à contrôler.

- **Utilisez l'outil électrique, les accessoires, les embouts, etc. conformément aux instructions, en tenant compte des conditions de travail et de la tâche à accomplir.** L'utilisation de l'outil électrique à des fins autres que celles pour lesquelles il a été conçu pourrait créer une situation dangereuse.

UTILISATION ET ENTRETIEN DU BLOC-PILE

- **Rechargez uniquement le bloc-piles au moyen du chargeur approuvé par le fabricant.** Un chargeur non adapté à un type de bloc-pile peut constituer un risque d'incendie s'il est utilisé avec un bloc-pile différent de celui pour lequel il a été conçu.
- **Utilisez l'outil électrique uniquement avec le bloc-pile expressément indiqué.** L'utilisation de tout autre bloc-pile peut constituer un risque de blessure et d'incendie.
- **Lorsque vous n'utilisez pas le bloc-piles, conservez-le à l'écart d'autres objets métalliques, comme des trombones, des pièces de monnaie, des clés, des clous, des vis et d'autres petits objets métalliques qui peuvent connecter une borne à une autre.** Un court-circuit entre les bornes du bloc-pile peut occasionner des brûlures et un incendie.
- **Dans de mauvaises conditions, un liquide peut être éjecté du bloc-pile; évitez tout contact avec celui-ci.** En cas de contact accidentel, rincez à grande eau. Si vos yeux entrent en contact avec ce liquide, consultez un médecin. Le liquide provenant des piles peut causer de l'irritation ou des brûlures.

ENTRETIEN

- **Demandez à un technicien qualifié qui utilise seulement des pièces de rechange identiques aux pièces d'origine d'effectuer l'entretien de votre outil électrique. Vous vous assurerez ainsi de respecter les consignes de sécurité de l'outil électrique.**

CONSIGNES DE SÉCURITÉ POUR LE TAILLE-HAIE

⚠ DANGER – Gardez les mains loin de la lame. Tout contact avec les lames occasionnera des blessures graves.

- **Gardez toutes les parties de votre corps loin des lames de coupe. N'enlevez pas de matériau coupé et ne tenez pas de matériau à couper pendant que les lames sont en mouvement. Veillez à ce que l'interrupteur soit en position d'arrêt lorsque vous enlevez du matériau coincé dans l'outil.** Les lames continuent de se mouvoir après que l'outil est arrêté. Un moment d'inattention lorsque vous manipulez le taille-haie peut occasionner des blessures graves.
- **Transportez le taille-haie par sa poignée, avec les lames de coupe immobiles. Transportez et rangez toujours le taille-haie dans son étui.** Une manipulation appropriée du taille-haie permet de réduire les risques de blessure avec les lames de coupe.
- **Tenez l'outil électrique uniquement par les poignées protégées, car les lames de coupe peuvent entrer en contact avec un câblage caché.** Si les lames entrent en contact avec un câble alimenté pendant que l'appareil est en marche, cela risque d'exposer les pièces métalliques de l'outil électrique et occasionner un choc électrique à l'utilisateur.
- **Tenez le câble loin de la zone de coupe.** Lors de l'utilisation, le câble peut être caché par les arbustes et coupé accidentellement par la lame.

CONSIGNES DE SÉCURITÉ POUR LE TAILLE-HAIE TÉLESCOPIQUE

- **N'utilisez pas le taille-haie à longue portée dans des conditions météorologiques défavorables, surtout en cas de risque d'orage.** Cela réduit le risque d'être frappé par la foudre.
- **Pour réduire le risque d'électrocution, n'utilisez jamais l'appareil à proximité des lignes électriques.** Le contact ou l'utilisation à proximité des lignes électriques peut causer des blessures graves ou des décharges électriques entraînant la mort.
- **Lorsque vous utilisez un taille-haie à longue portée, tenez-le toujours avec les deux mains.** Tenez le taille-haie à longue portée avec les deux mains pour éviter de perdre le contrôle.
- **Utilisez toujours un casque protecteur pour la tête lorsque vous utilisez le taille-haie à longue portée en hauteur.** La chute de débris peut provoquer des blessures graves.

⚠ AVERTISSEMENT! Utilisez le taille-haie uniquement lorsque le manche y est fixé. L'utilisation du taille-haie sans le manche approprié fourni peut occasionner des blessures graves.

- **Avant chaque utilisation, dégagez l'aire de travail. Assurez-vous qu'il n'y a pas de corps étrangers dans les haies, comme des clôtures grillagées.**
- **N'utilisez pas ce produit alors que vous êtes sur une échelle, sur un toit, dans un arbre ou sur tout autre support instable.** Des appuis et une surface stables permettent de mieux contrôler le taille-haie dans des situations inattendues.
- **Ne tendez pas les bras trop loin. Gardez une posture sécuritaire et un bon équilibre en tout temps. Prenez des précautions particulières lorsque vous travaillez sur des surfaces glissantes (sol mouillé, enneigé) ou sur des terrains rudes, envahis par les mauvaises herbes. Faites attention aux obstacles dissimulés comme les souches, les racines et les fossés pour éviter les branches tombées, la broussaille et les résidus de coupe. Soyez extrêmement prudent lorsque vous travaillez sur une pente ou un sol inégal.**
- **Ne quittez pas les lames de coupe des yeux. Ne coupez pas une partie de la haie que vous ne pouvez pas voir. Lorsque vous coupez la partie supérieure d'une grande haie, vérifiez régulièrement l'autre côté pour vous assurer qu'il n'y a pas de personnes, d'animaux, ni d'obstacles.**
- **Lorsque vous ramassez ou tenez le taille-haie, ne saisissez pas les lames de coupe ni les bords coupants exposés.**
- **Sur les appareils dont la position de transport est précise (lames à plat contre l'arbre du taille-haie) : ne démarrez jamais l'appareil lorsqu'il est en position de transport, car les lames ne sont pas en position de fonctionnement. Vous ne pourrez donc pas vous assurer qu'elles sont en position d'arrêt lorsque vous redémarrerez l'appareil pour régler la lame selon la coupe souhaitée (lorsque les lames sont en position de fonctionnement).**

- **Avant d'utiliser le taille-haie, vérifiez s'il y a des pièces endommagées. Le cas échéant, vérifiez attentivement les pièces endommagées pour déterminer si elles peuvent fonctionner correctement et être utilisées normalement. Vérifiez l'alignement des pièces mobiles et leur fixation ainsi que l'état et l'assemblage des pièces, et recherchez tout autre problème pouvant nuire au fonctionnement de l'appareil. Si une pièce est endommagée, elle doit être réparée correctement ou remplacée par un centre de service autorisé à moins d'indications contraires dans le présent guide.**
- **Vérifiez fréquemment que les boulons de fixation du moteur et la lame sont correctement serrés. En outre, inspectez visuellement la lame pour vérifier qu'elle n'est pas endommagée (par exemple tordue, craquelée ou usée). Remplacez la lame uniquement par une lame de marque EGOTM.**
- **Remplacez la lame si elle est tordue ou craquelée. Une lame déséquilibrée occasionne des vibrations qui pourraient endommager le moteur ou causer des blessures.**
- **Si le taille-haie venait à vibrer de manière anormale, arrêtez le moteur et trouvez immédiatement la cause des vibrations. Les vibrations indiquent généralement un problème.**
- **Ne laissez jamais des enfants utiliser le taille-haie.**
- Le taille-haie doit être utilisé pour couper des tiges de moins de 26 mm (1 po) d'épaisseur.
- Utilisez le taille-haie uniquement durant le jour ou avec un bon éclairage artificiel.
- Suivez les instructions de graissage et d'affûtage.
- Maintenez les poignées sèches, propres et exemptes d'huile ou de graisse.

AVERTISSEMENTS SUPPLÉMENTAIRES

- **Ne rechargez pas le bloc-pile sous la pluie ou dans un endroit humide.**
- **Utilisez le produit uniquement avec les blocs-piles et les chargeurs indiqués ci-dessous :**

BLOC-PILE	CHARGEUR
BA1120, BA1400, BA2240	CH5500
BA2800, BA4200	CH2100

- Le bloc-pile doit être retiré de l'appareil avant d'être mis au rebut.

- Le bloc-pile doit être éliminé de façon sécuritaire.
- **Ne jetez pas le bloc-pile au feu.** Les cellules pourraient exploser. Consultez la réglementation locale pour connaître les instructions de mise au rebut.
- **N'ouvrez pas et n'abîmez pas le bloc-pile.** L'électrolyte qu'il contient est corrosif et peut causer des lésions oculaires ou cutanées. Il peut être toxique s'il est ingéré.

⚠ ATTENTION! L'électrolyte est un acide sulfurique dilué qui est nocif pour la peau et les yeux. C'est un matériau conducteur et corrosif.

- **Manipulez le bloc-pile avec soin pour ne pas créer un court-circuit avec des matériaux conducteurs comme des bagues, des bracelets ou des clés.** Le bloc-pile ou le conducteur peuvent surchauffer et causer des brûlures.
- **Pièces de rechange :** lorsque vous procédez à l'entretien, utilisez uniquement des pièces de remplacement EGO identiques aux pièces d'origine. L'utilisation de toute autre pièce peut augmenter le risque de blessure.
- **Les outils munis d'un bloc-pile n'ont pas besoin d'être branchés sur une prise de courant. Par conséquent, ils sont toujours prêts à l'emploi.** Gardez à l'esprit qu'il existe des dangers potentiels même lorsque l'outil ne fonctionne pas. Soyez prudents lorsque vous effectuez l'entretien ou des réparations.
- **Enlevez ou débranchez le bloc-pile avant de procéder à l'entretien ou au nettoyage du taille-haie ou d'en retirer du produit.**
- **Ne nettoyez pas le taille-haie avec un jet d'eau, car de l'eau pourrait s'infiltrer dans le moteur et les connexions électriques.**
- **Rangez l'outil dans un endroit sec, surélevé ou verrouillé, et hors de la portée des enfants.**
- **S'il se produit une situation qui ne figure pas dans le présent manuel, faites preuve de prudence et de jugement. Communiquez avec le centre de service à la clientèle d'EGO pour obtenir de l'aide.**
- **Conservez ces instructions.** Consultez-les régulièrement et utilisez-les pour expliquer le fonctionnement de l'outil à d'autres personnes qui l'utiliseraient. Si vous prêtez cet outil à une personne, prêtez-lui également ces instructions afin de prévenir un usage inapproprié et des blessures potentielles.

CONSERVEZ CES INSTRUCTIONS!

REMARQUE : CONSULTEZ LE GUIDE D'UTILISATION DE LA TÊTE D'ALIMENTATION POUR DAVANTAGE DE RÈGLES DE SÉCURITÉ.

INTRODUCTION

Nous vous félicitons d'avoir choisi ce TAILLE-HAIE AMOVIBLE EGO. Cet outil a été conçu et fabriqué afin de vous offrir la meilleure fiabilité et le meilleur rendement possible.

Si vous éprouvez un problème que vous n'arrivez pas à régler facilement, veuillez communiquer avec le centre de service à la clientèle d'EGO au 1 855 EGO-5656.

Le présent guide contient des renseignements importants pour assembler, utiliser et entretenir en toute sécurité votre produit. Lisez-le soigneusement avant d'utiliser le produit. Conservez ce guide à portée de main afin de pouvoir le consulter à tout moment.

NUMÉRO DE SÉRIE _____ DATE D'ACHAT _____

NOUS VOUS RECOMMANDONS DE NOTER LE NUMÉRO DE SÉRIE ET LA DATE D'ACHAT ET DE LES CONSERVER EN LIEU SÛR AFIN DE POUVOIR LES CONSULTER ULTÉRIEUREMENT.

CARACTÉRISTIQUES

Longueur de la lame	510 mm (20 po)
Capacité de coupe	26 mm (1 po)
Poids (y compris le protège-lame)	2,45 kg (5,40 lbs)

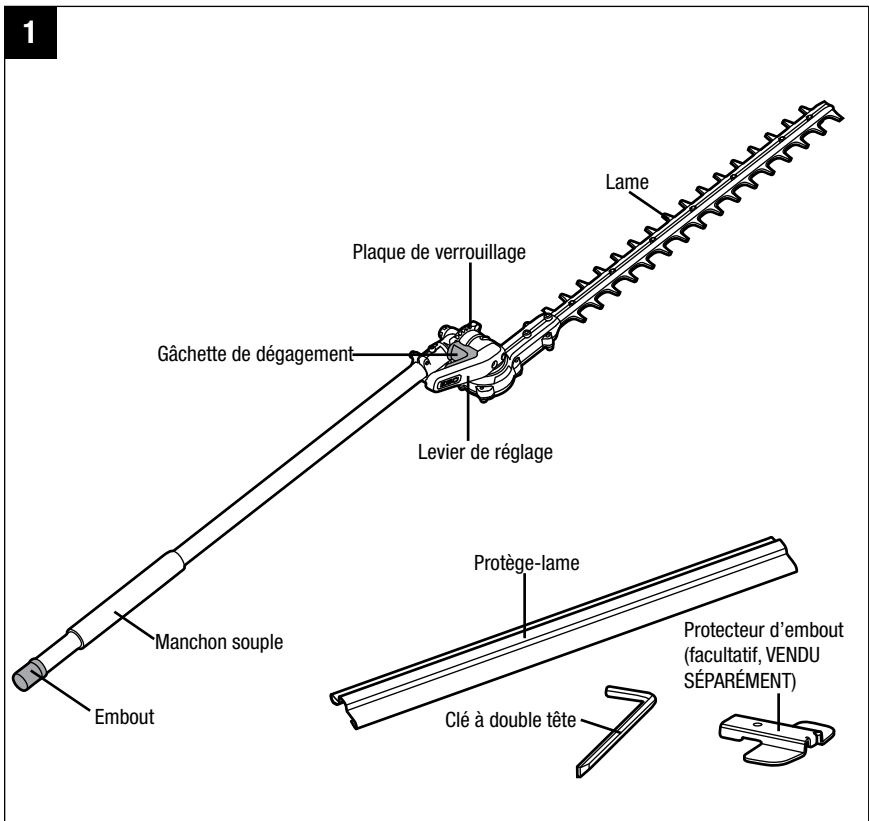
LISTE DES PIÈCES CONTENUES DANS L'EMBALLAGE

NOM DE LA PIÈCE	QUANTITÉ
Taille-haie amovible	1
Protège-lame	1
Clé à double tête	1
Guide d'utilisation	1

DESCRIPTION

FAMILIARISEZ-VOUS AVEC VOTRE TAILLE-HAIE AMOVIBLE (figure 1)

Pour utiliser ce produit en toute sécurité, vous devez comprendre les renseignements figurant sur l'outil et dans le présent guide d'utilisation et connaître le projet que vous entreprenez. Avant d'utiliser ce produit, familiarisez-vous avec toutes les caractéristiques de fonctionnement et consignes de sécurité.



Embout

Protège le manche contre les saletés et les débris lors du rangement.

Manchon souple

Pour le confort et la maniabilité.

Clé à double tête

Permet de serrer ou de desserrer le boulon de lubrification à tête hexagonale.

Protecteur d'embout (facultatif, VENDU SÉPARÉMENT)

Protège l'extrémité de la lame. Vendu séparément. Si vous en avez besoin, visitez le site Web.egopowerplus.com. Numéro de modèle : ATP2000.

Lame

Lames en acier trempé pour couper les haies et les arbustes.

Protège-lame

Permet d'éviter d'entrer en contact avec les lames coupantes lorsque l'outil n'est pas utilisé. Permet d'éviter d'endommager l'outil lors de son transport ou de son entreposage.

Gâchette de dégagement/levier de réglage/plaque de verrouillage

Permet de placer la lame du taille-haie dans la position de travail désirée.

ASSEMBLAGE

⚠ AVERTISSEMENT! S'il y a des pièces manquantes ou endommagées, ne tentez pas d'utiliser ce produit tant que ces pièces n'auront pas été remplacées. L'utilisation de ce produit avec des pièces endommagées ou manquantes peut causer des blessures graves.

⚠ AVERTISSEMENT! Ne tentez pas de modifier ce produit ni de créer des accessoires qui ne sont pas recommandés pour ce produit. Toute altération ou modification de ce type constitue un usage inapproprié et peut engendrer une situation dangereuse susceptible de causer des blessures graves.

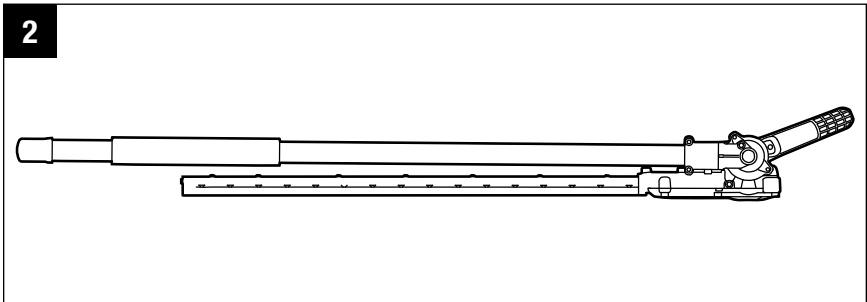
⚠ AVERTISSEMENT! Ne fixez ou n'ajustez jamais un accessoire si la tête d'alimentation est en marche ou si le bloc-pile est en place. Laisser le moteur fonctionner et garder le bloc-pile en place peut entraîner de graves blessures.

DÉBALLAGE

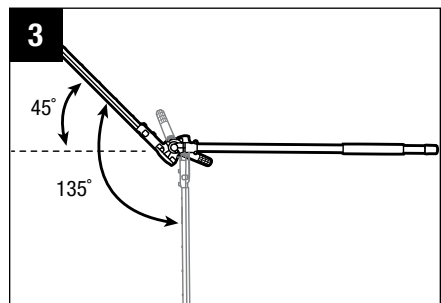
- Cet outil doit être assemblé.
- Retirez soigneusement l'outil et toutes les pièces de l'emballage. Assurez-vous que toutes les pièces mentionnées sur la liste des pièces sont présentes.
- Inspectez soigneusement l'outil pour vérifier qu'il n'a pas été endommagé pendant l'expédition.
- Ne jetez pas le matériel d'emballage avant d'avoir inspecté soigneusement l'outil et de l'avoir fait fonctionner de manière satisfaisante.
- S'il y a des pièces manquantes ou endommagées, veuillez retourner l'outil à l'endroit où vous l'avez acheté.

RÉGLAGE DE LA LAME

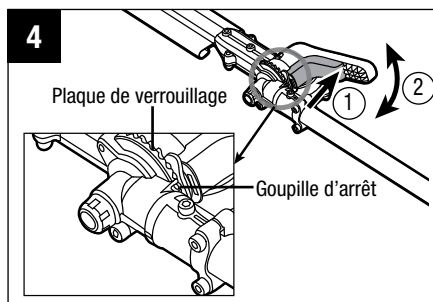
Lorsque le taille-haie est retiré de l'emballage, il est plié dans sa position de rangement, la lame contre le manche (figure 2). Placez la lame dans une position de travail adéquate avant de la fixer à la tête d'alimentation.



La lame peut être réglée selon 12 positions de travail (figure 3). Vous pouvez placer la lame vers le haut dans 5 positions différentes, de 0° (droite) à 45°, et vers le bas dans 7 positions différentes, de 0° à 90° (angle droit vers le bas).



1. Tout en appuyant sur la gâchette de dégagement, tournez le levier de réglage afin de régler la lame selon la coupe souhaitée (figure 4).
2. Une fois la position souhaitée atteinte, relâchez la gâchette de dégagement. Un déclic indique que la goupille d'arrêt est enfoncée dans la plaque de verrouillage (figure 4).

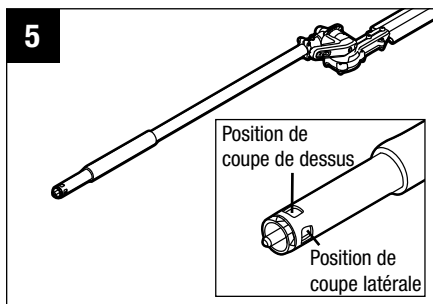


⚠ AVERTISSEMENT! Afin de réduire les risques de blessure, retirez le bloc-pile avant d'effectuer des réglages et faites les ajustements uniquement lorsque les lames sont à l'arrêt. Ne touchez jamais les lames lorsque vous faites des ajustements.

⚠ AVERTISSEMENT! Afin de réduire les risques de blessure, assurez-vous de toujours arrêter l'outil, de retirer le bloc-pile et de couvrir la lame avec le protecteur de lame avant de placer la lame en position de rangement ou avant de replacer la lame en position de travail normal.

RACCORDEMENT DU TAILLE-HAIE AMOVIBLE À LA TÊTE D'ALIMENTATION

Ce taille-haie amovible est conçu pour être utilisé avec la tête d'alimentation EGO PH1400. Le taille-haie peut être raccordé en position de coupe de dessus ou de coupe latérale (figure 5). Pour obtenir des instructions détaillées au sujet des techniques de travail, consultez la section « TECHNIQUES DE TRAVAIL » du présent manuel.

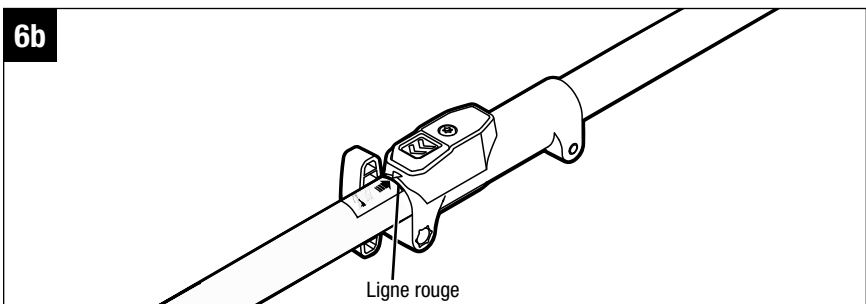
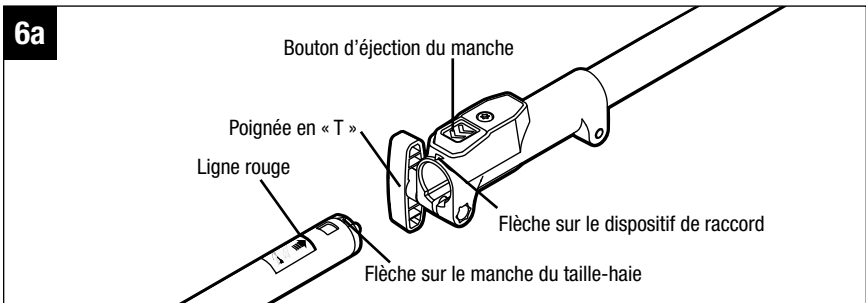


Le taille-haie amovible se branche à la tête d'alimentation au moyen d'un dispositif de raccord.

1. Arrêtez le moteur et enlevez le bloc-pile.
2. Desserrez la poignée en « T ».

3. Retirez l'embout du taille-haie amovible et placez-le à un endroit sûr pour une utilisation ultérieure. Alignez la flèche du manche du taille-haie sur la flèche du dispositif de raccord (figure 6a) et poussez le manche du taille-haie dans le dispositif jusqu'à ce qu'un déclic se fasse entendre. Pour une fixation adéquate du manche, le dispositif de raccord doit être enfoncé jusqu'à la LIGNE ROUGE sur l'étiquette du manche (figure 6b).
4. Tirez sur le manche du taille-haie pour vérifier si celui-ci est bien verrouillé dans le dispositif de raccord. Si ce n'est pas le cas, faites tourner le manche du taille-haie de gauche à droite jusqu'à ce qu'il se verrouille dans le dispositif de raccord.
5. Serrez fermement la poignée en « T ».

⚠ AVERTISSEMENT! Assurez-vous que la poignée en « T » est serrée fermement avant de manipuler l'outil. Inspectez-la régulièrement pendant l'utilisation pour vous assurer qu'elle reste serrée et pour prévenir des blessures graves.

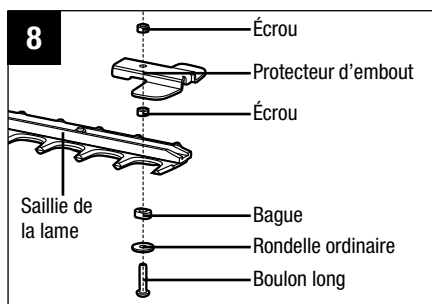
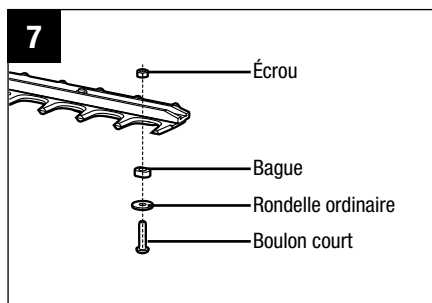


RETRAIT DU TAILLE-HAIE AMOVIBLE DE LA TÊTE D'ALIMENTATION

1. Arrêtez le moteur et enlevez le bloc-pile.
2. Desserrez la poignée en « T ».
3. Appuyez sur le bouton d'éjection du manche et, tout en maintenant le bouton enfoncé, tirez ou tournez le manche du taille-haie pour le séparer de la tête d'alimentation.

INSTALLATION DU PROTECTEUR D'EMBOUIT (vendu séparément)

1. Utilisez une clé hexagonale de 3 mm (non incluse) pour retirer le boulon court, la rondelle ordinaire, la bague et l'écrou à l'extrémité de la lame (figure 7). Conservez la rondelle ordinaire, la bague et l'écrou pour le réassemblage.
2. Alignez le protecteur d'embout sur la saillie de la lame et fixez-le en place. Fixez-le à l'aide du nouveau boulon long et du nouvel écrou ainsi qu'à l'aide de la rondelle, de la bague et de l'écrou conservés (figure 8).



FONCTIONNEMENT

⚠ DANGER : N'effectuez jamais de coupe à proximité de lignes électriques, de câbles électriques ou d'autres sources électriques. Si les lames se bloquent sur un câble ou une ligne électrique, **NE TOUCHEZ PAS LA LAME OU LA TIGE D'ALUMINIUM!** ILS PEUVENT DEVENIR CONDUCTEURS DE COURANT ET S'AVÉRER TRÈS DANGEREUX. Continuez de tenir le taille-haie par la poignée arrière isolée ou alors posez-le loin de vous de manière sécuritaire. Déconnectez l'alimentation électrique de la ligne ou du câble endommagé avant de libérer les lames de la ligne ou du câble. Le contact avec la lame, avec d'autres pièces conductrices du taille-haie, ou avec des câbles ou des lignes électriques entraînera la mort par électrocution ou des blessures graves.

⚠ AVERTISSEMENT : Même si vous connaissez parfaitement ce produit, soyez vigilant. N'oubliez pas qu'une fraction de seconde d'inattention suffit pour se blesser grièvement.

⚠ AVERTISSEMENT : Portez toujours des lunettes de sécurité conformes à la norme ANSI Z87.1. Sinon, vous pourriez recevoir des débris dans les yeux et vous blesser grièvement.

⚠ AVERTISSEMENT : Pour prévenir les blessures graves, retirez le bloc-pile de l'outil avant d'en effectuer l'entretien, de le nettoyer, de changer des accessoires ou d'en retirer du matériel.

Avant chaque utilisation, inspectez l'intégralité du produit pour vérifier s'il y a des pièces endommagées, manquantes ou lâches, comme des vis, des boulons, des écrous, des capuchons, etc. Fixez fermement toutes les attaches et tous les capuchons et ne faites pas fonctionner ce produit tant que toutes les pièces manquantes ou endommagées n'ont pas été remplacées.

UTILISATIONS

Vous pouvez utiliser ce produit pour tailler des haies, des arbustes, des broussailles, des buissons ou d'autres matières semblables ayant des branches d'un diamètre de 2,54 cm ou moins.

UTILISATION DU TAILLE-HAIE AVEC LA TÊTE D'ALIMENTATION

⚠ AVERTISSEMENT : Lorsque vous utilisez cet outil, habillez-vous convenablement pour réduire les risques de blessures. Ne portez pas de vêtements ni de bijoux qui peuvent s'accrocher. Portez des protections pour les yeux et les oreilles. Portez un pantalon long et épais, des bottes et des gants. Ne portez pas de pantalon court ni de sandales. N'utilisez pas l'outil lorsque vous êtes pieds nus.

PRÉPARATION POUR LA COUPE

Consultez les « CONSIGNES DE SÉCURITÉ » ci-dessus dans le présent guide d'utilisation pour connaître l'équipement de sécurité approprié.

1. Ajustez la lame de coupe dans la position de travail désirée.
2. Retirez le protège-lame de la lame.

TECHNIQUES DE TRAVAIL

- **Coupe à l'horizontale (avec la lame en angle)**

Coupez près du sol en vous tenant debout, p. ex., pour tailler de petits arbustes.

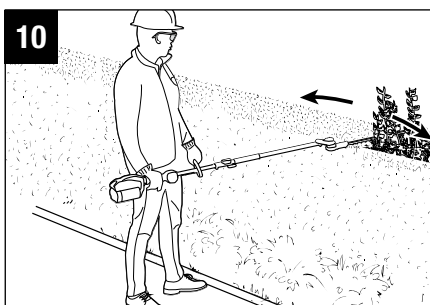
Balancez la lame vers la droite et vers la gauche en vous déplaçant le long de la haie – utilisez les deux côtés des lames et ne déposez pas la lame de découpe au sol (figure 9).



- **Coupe à l'horizontale (avec la lame droite)**

Maintenez la lame à un angle de 0° à 10° tout en balançant lentement le taille-haie à l'horizontale.

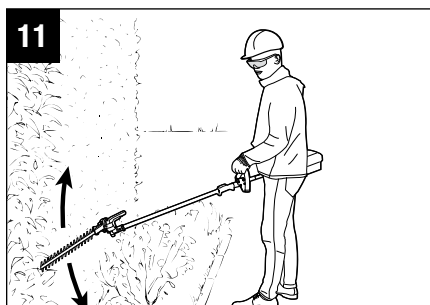
Balancez la lame en traçant un arc vers l'extérieur de la haie afin d'envoyer les retailles vers le sol (figure 10).



Recommandation : Évitez de couper des haies qui dépassent la hauteur de votre poitrine dans cette position de travail.

- **Coupe à la verticale (avec la lame en angle)**

Cette méthode s'avère utile pour couper sans avoir à se tenir collé contre la haie, p. ex., s'il y a une plate-bande entre l'utilisateur et la haie.



Dans cette situation, il est préférable de raccorder le taille-haie à la tête d'alimentation dans la position de coupe latérale (voir la figure 5).

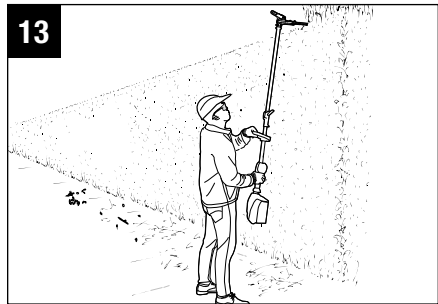
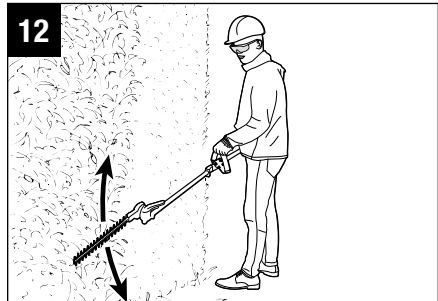
Balancez lentement la lame vers le haut et vers le bas en traçant un arc tout en vous déplaçant le long de la haie – utilisez les deux côtés de la lame de coupe (figure 11).

- **Coupe verticale (avec la lame droite)**

Balances lentement la lame vers le haut et vers le bas en traçant un arc tout en vous déplaçant le long de la haie – utilisez les deux côtés de la lame (figure 12).

- **Coupe au-dessus de la tête (avec la lame en angle)**

Tenez le taille-haie à la verticale et balancez-le lentement en traçant un arc pour utiliser le maximum de sa portée (figure 13).



⚠ AVERTISSEMENT : Travailler au-dessus de sa tête entraîne de la fatigue. Pour diminuer les risques d'accident, limitez le temps travaillé dans cette position. Réglez la lame dans un angle maximal pour pouvoir tenir l'outil le plus bas possible, dans la position la moins fatigante vous procurant néanmoins une portée adéquate.

POUR DÉMARRER ET ARRÊTER L'OUTIL

Consultez la section « MISE EN MARCHÉ ET ARRÊT DE LA TÊTE D'ALIMENTATION » du guide d'utilisation de la tête d'alimentation PH1400.

ENTRETIEN

⚠ AVERTISSEMENT : Lorsque vous procédez à l'entretien de l'outil, utilisez uniquement des pièces de remplacement identiques à celles d'origine. L'utilisation de toute autre pièce peut constituer un danger ou endommager le produit. Pour garantir une utilisation sécuritaire du produit et sa fiabilité, toutes les réparations doivent être effectuées par un technicien qualifié.

⚠ AVERTISSEMENT : Afin de prévenir les blessures graves, retirez le bloc-pile de la tête d'alimentation avant l'inspection, le nettoyage, l'entretien ou le changement des accessoires amovibles. Un outil alimenté par un bloc-pile est toujours allumé lorsque le bloc-pile est inséré. Il peut donc démarrer accidentellement.

ENTRETIEN GÉNÉRAL

Évitez d'utiliser des solvants sur les pièces en plastique. La plupart des plastiques sont susceptibles d'être endommagés par divers types de solvants commerciaux. Utilisez un linge propre pour enlever la saleté, la poussière, l'huile, la graisse, etc.

⚠ AVERTISSEMENT : Lors du nettoyage du taille-haie amovible, NE l'immergez PAS dans l'eau ou dans un autre liquide.

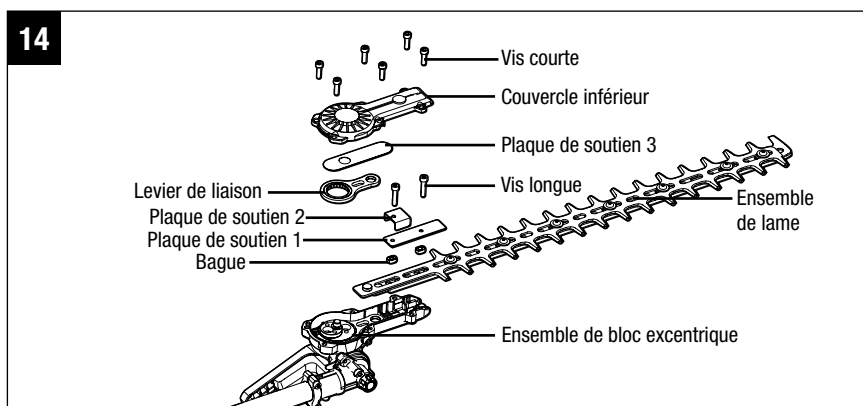
NETTOYAGE

- Utilisez une brosse douce pour enlever les débris de toutes les entrées d'air et des lames de coupe.
- Pour enlever la résine et d'autres résidus collants, aspergez les lames de solvant de résine. Mettez le moteur en marche brièvement afin de répartir le solvant de manière équilibrée.
- N'utilisez pas de détergents puissants pour nettoyer le boîtier en plastique ou la poignée. Certaines huiles aromatiques, comme le pin et le citron, et certains solvants, comme le kérosène, peuvent les endommager. L'humidité peut également créer un risque de choc électrique. Essuyez les parties humides à l'aide d'un linge sec et doux. N'utilisez JAMAIS d'eau pour nettoyer l'outil.

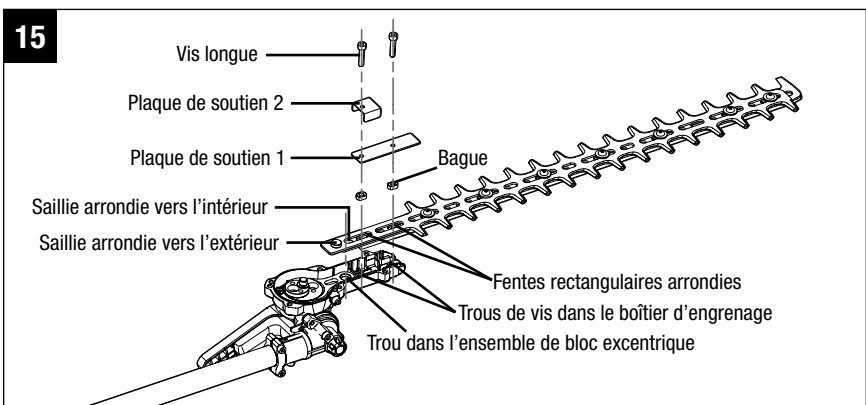
Tout entretien du taille-haie qui n'est pas mentionné dans les présentes instructions devrait être effectué par un réparateur de taille-haie qualifié.

REMPACEMENT DE LA LAME

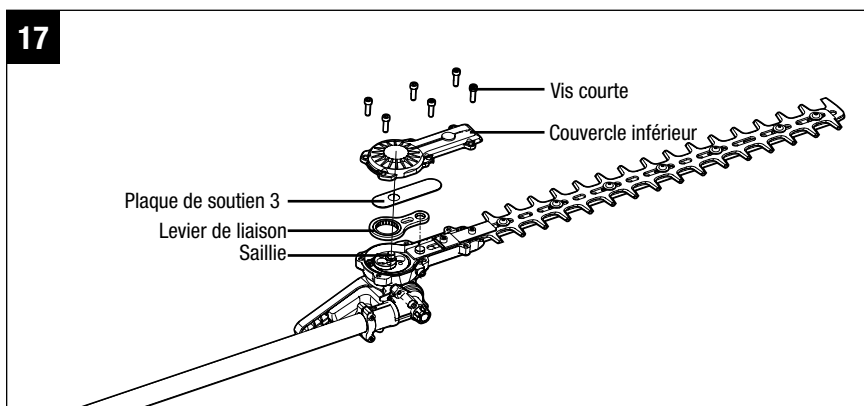
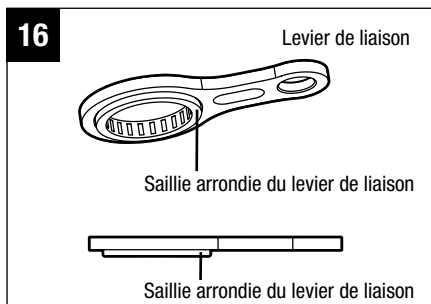
⚠ AVERTISSEMENT : Portez toujours des gants lorsque vous manipulez la lame; ses composants sont très tranchants et peuvent présenter des bavures.



1. Arrêtez le moteur et enlevez le bloc-pile.
2. Placez la lame en position horizontale, en vous assurant que l'ensemble de lame est aligné sur le manche du taille-haie pour une installation facile (figure 14).
3. Utilisez une clé hexagonale de 4 mm (non incluse) pour desserrer et retirer les 6 vis (vis courtes) du couvercle inférieur.
4. Continuez de desserrer les 2 vis (vis longues) pour retirer les plaques de soutien 1 et 2 ainsi que les 2 bagues. Les 2 bagues sont situées isolément à l'intérieur des deux fentes rectangulaires arrondies dans l'ensemble de lame.
5. Retirez la plaque de soutien 3.
6. Retirez soigneusement le levier de liaison de la lame.
7. Retirez l'ensemble de lame de l'outil et remplacez-le par un nouveau.
8. Pour installer le nouvel ensemble de lame, alignez la saillie arrondie du nouvel ensemble de lame sur le trou à l'intérieur de l'ensemble de bloc excentrique.
9. Insérez une bague dans chacune des deux fentes rectangulaires arrondies.
10. Fixez la plaque de soutien 1, puis fixez la plaque de soutien 2.
11. Assurez-vous que les trous intérieurs de la lame, les bagues et les trous des plaques de soutien sont alignés sur les trous de vis dans le boîtier d'engrenage. Insérez les 2 vis longues dans les trous alignés et serrez-les solidement (figure 15).



12. Bougez légèrement la lame supérieure d'avant en arrière pour vérifier si la lame peut se déplacer librement. Si ce n'est pas le cas, réassemblez les lames de manière à ce que la lame supérieure puisse se déplacer librement.
13. Placez la saillie arrondie du levier de liaison face à la lame (figure 16).
14. Pour fixer la plaque de soutien 3, alignez le trou de la plaque sur la saillie arrondie de l'ensemble de bloc excentrique en vous assurant que la plaque est exactement au centre et qu'elle est parallèle aux deux bords.
15. Placez le couvercle inférieur sur le boîtier d'engrenage et fixez-le à l'aide de 6 vis courtes (figure 17).



16. Mettez le taille-haie en marche pour vérifier s'il fonctionne normalement. Si ce n'est pas le cas, réassemblez-le en suivant les étapes ci-dessus.

AFFÛTAGE DE LA LAME

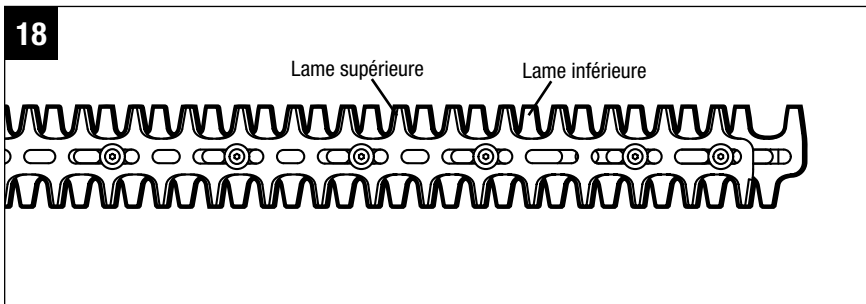
Lorsque la performance de coupe et le fonctionnement de l'outil commencent à se détériorer, affûtez de nouveau les lames. Il est recommandé de faire appel à un technicien qualifié pour l'affûtage des lames.

AVIS : N'utilisez pas le taille-haie si les lames sont endommagées ou émoussées. Cela peut provoquer une surcharge et donner des résultats de coupe insatisfaisants.

GRAISSAGE DES LAMES

Pour prévenir la rouille, il est recommandé de graisser les lames avec de l'huile antirouille lorsque l'outil est rangé pour une période prolongée.

Si les lames supérieures sont complètement alignées sur les lames inférieures, mettez le taille-haie en marche, puis arrêtez-le pour décaler les lames avant de les graisser (figure 18).



⚠ AVERTISSEMENT : Les lames sont tranchantes. Lorsque vous manipulez les lames, portez des gants de protection résistants et antidérapants. Ne placez ni vos mains ni vos doigts entre les lames ou dans une position où ils pourraient être pincés ou coupés. Ne touchez JAMAIS les lames et ne procédez JAMAIS à l'entretien de l'outil sans avoir enlevé le bloc-pile au préalable.

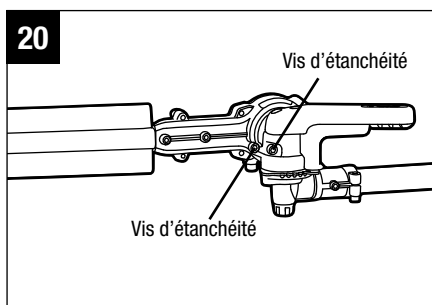
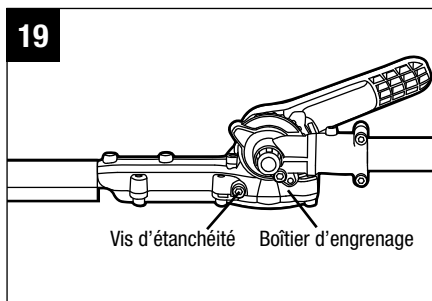
LUBRIFICATION DES ENGRENAGES DE TRANSMISSION

Les engrenages de transmission dans le boîtier d'engrenage doivent être graissés périodiquement avec de la graisse d'engrenage. Vérifiez le niveau de graisse dans le boîtier d'engrenage environ toutes les 50 heures de fonctionnement en retirant la vis d'étanchéité située sur le boîtier d'engrenage. Il y a trois vis d'étanchéité : une sur le côté et deux sur le dessus.

S'il n'y a aucune trace de graisse sur les côtés de l'engrenage, suivez les étapes ci-dessous afin de remplir le boîtier de graisse d'engrenage aux 3/4 de sa capacité.

Ne remplissez pas complètement le boîtier d'engrenage de transmission.

1. Selon la vis que vous retirez, posez le taille-haie sur sa face arrière ou tenez-le sur le côté de façon à ce que la vis d'étanchéité à retirer soit orientée vers le haut (figures 19 et 20).
2. Utilisez la clé à double tête fournie pour desserrer et retirer la vis d'étanchéité.
3. Utilisez une pompe de graissage (non incluse) pour injecter de la graisse dans le trou de la vis; ne dépassez pas les 3/4 de la capacité du boîtier.
4. Serrez la vis d'étanchéité après l'injection.



TRANSPORT ET ENTREPOSAGE

- Retirez le bloc-pile de l'outil.
- Nettoyez complètement l'outil avant de le ranger.
- Placez le protège-lame sur les lames avant de ranger ou de transporter l'outil. Soyez prudent et évitez les dents tranchantes des lames. Pour économiser de l'espace, pliez le taille-haie dans sa position de rangement (voir la figure 2).
- Si le taille-haie est séparé de la tête d'alimentation pour le rangement, placez l'embout sur le manche du taille-haie afin d'éviter que de la saleté ne s'introduise dans le dispositif de raccord.
- Rangez l'appareil dans un endroit sec, bien aéré, surélevé ou verrouillé, et hors de portée des enfants. Ne rangez pas l'appareil sur des engrais, de l'essence ou d'autres produits chimiques, ni à proximité de ces produits.

DÉPANNAGE

PROBLÈME	CAUSE	SOLUTION
Le taille-haie ne fonctionne pas.	<ul style="list-style-type: none"> ■ Le bloc-pile n'est pas installé dans la tête d'alimentation. ■ Il n'y a aucun contact électrique entre le taille-haie et le bloc-pile. ■ Le bloc-pile est déchargé. ■ Le bouton de blocage n'est pas pressé avant l'activation de la gâchette. ■ La température du bloc-pile ou de la tête d'alimentation est trop élevée. ■ Les lames sont bloquées. ■ Le taille-haie n'est pas correctement raccordé à la tête d'alimentation. 	<ul style="list-style-type: none"> ■ Installez le bloc-pile dans la tête d'alimentation. ■ Retirez le bloc-pile, vérifiez les contacts électriques et réinstallez le bloc-pile. ■ Chargez le bloc-pile. ■ Pour mettre le taille-haie en marche, maintenez le levier de blocage enfoncé, puis appuyez sur la gâchette. ■ Laissez le bloc-pile ou la tête d'alimentation refroidir jusqu'à une température inférieure à 67 °C (152 °F). ■ Retirez le bloc-pile de l'outil. Retirez soigneusement le matériau obstruant les lames, puis réinstallez le bloc-pile et redémarrez l'outil. ■ Retirez le taille-haie de la tête d'alimentation. Raccordez les deux parties en suivant les instructions de la section « RACCORDEMENT DU TAILLE-HAIE AMOVIBLE À LA TÊTE D'ALIMENTATION » du présent manuel.

PROBLÈME	CAUSE	SOLUTION
Vibration et bruit excessifs.	<ul style="list-style-type: none">■ Les lames sont sèches ou corrodées.■ Les lames ou le support des lames sont tordus. ■ Les dents sont tordues ou endommagées. ■ Les boulons des lames sont lâches.	<ul style="list-style-type: none">■ Graissez les lames. ■ Remplacez les lames ou le support des lames en suivant les instructions de la section « REPLACEMENT DES LAMES » du présent manuel, ou communiquez avec le centre de service EGO pour le remplacement. ■ Remplacez les lames en suivant les instructions de la section « REPLACEMENT DES LAMES » du présent manuel, ou communiquez avec le centre de service EGO pour le remplacement. ■ Serrez les boulons des lames. Au moyen d'une clé hexagonale de 3 mm (non incluse), serrez les boulons en les tournant dans le sens des aiguilles d'une montre.

GARANTIE

POLITIQUE D'EGO EN MATIÈRE DE GARANTIE

Une garantie limitée de cinq (5) ans est offerte pour l'équipement électrique d'extérieur EGO et une garantie limitée de trois (3) ans est offerte pour les chargeurs et les blocs-piles EGO Power+.

Veillez communiquer avec le service à la clientèle d'EGO au 1 855 EGO-5656 (numéro sans frais) pour toute question sur les réclamations au titre de la garantie.

GARANTIE LIMITÉE

À compter de la date d'achat originale, ce produit EGO est garanti **PENDANT CINQ ANS** contre les défauts de matériaux et de fabrication. Les produits défectueux seront réparés gratuitement.

À compter de la date d'achat originale, le chargeur et le bloc-pile EGO Power+ sont garantis **PENDANT TROIS ANS** contre les défauts de matériaux et de fabrication. Les produits défectueux seront réparés gratuitement.

Cette garantie ne couvre pas le matériel et les pièces d'entretien régulier qui peuvent s'user avec une utilisation normale pendant la période de garantie.

- a) Cette garantie s'applique uniquement à l'acheteur initial s'étant procuré le produit chez un détaillant EGO autorisé et est non transférable. La liste des détaillants EGO autorisés est publiée en ligne sur le site <http://egopowerplus.com/pages/warranty-policy>.
- b) La période de garantie pour toute pièce ou tout produit EGO utilisés à des fins industrielles, professionnelles ou commerciales est de un an.
- c) Cette garantie n'est pas valide si le produit a été utilisé à des fins de location.
- d) Cette garantie ne couvre pas les dommages résultant d'une modification ou d'une réparation non autorisée.
- e) Cette garantie couvre uniquement les défauts survenant dans des conditions normales d'utilisation et ne couvre aucun dysfonctionnement ou défaut ni aucune défaillance découlant d'un usage inapproprié ou abusif (notamment la surcharge du produit et son immersion dans l'eau ou dans tout autre liquide), d'un accident, d'une négligence, d'une installation inadéquate et de tout entretien ou entreposage inadéquat.

- f) Cette garantie ne couvre pas la détérioration normale du fini extérieur, notamment les rayures, les bosselures, les craquelures de la peinture ni toute corrosion ou décoloration résultant de la chaleur, de produits abrasifs et de nettoyeurs chimiques.

RÉCLAMATION AU TITRE DE LA GARANTIE

Pour faire une réclamation au titre de la garantie, veuillez communiquer avec le service à la clientèle d'EGO au **1 855 EGO-5656** (numéro sans frais). Lorsque vous faites une réclamation au titre de la garantie, vous devez présenter le reçu de vente original. Un centre de service autorisé sera sélectionné pour la réparation du produit conformément aux conditions de garantie prescrites.

RESTRICTIONS SUPPLÉMENTAIRES

Dans les limites prescrites par la législation locale, toutes les garanties implicites, notamment les garanties de QUALITÉ MARCHANDE ou d'ADÉQUATION POUR UN USAGE PARTICULIER, sont non valides. Toute garantie implicite, notamment les garanties de qualité marchande ou d'adéquation pour un usage particulier, qui ne peut être déclinée en vertu de la législation provinciale est limitée à cinq (5) ans à compter de la date d'achat pour l'équipement électrique d'extérieur et à trois (3) ans à compter de la date d'achat pour les chargeurs et blocs-piles.

Chervon North America n'est pas responsable des dommages accessoires, consécutifs, indirects ou directs.

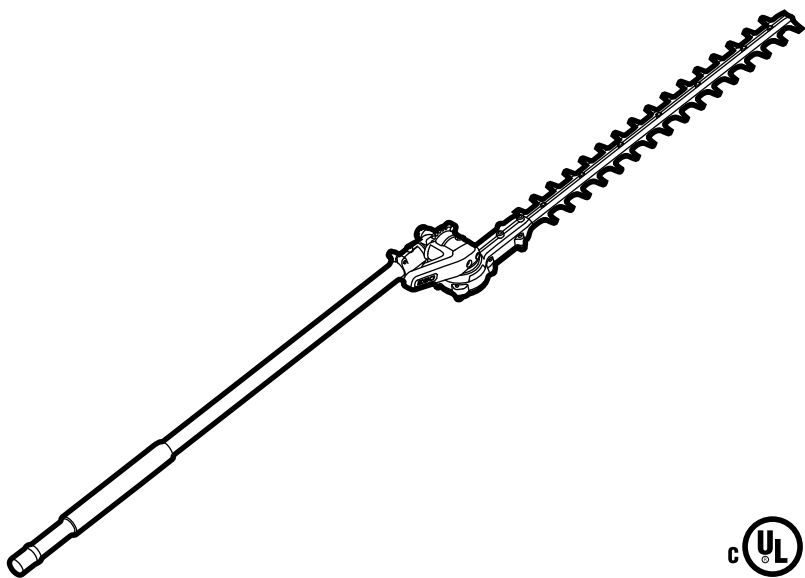
Certaines provinces et certains États n'autorisent pas les restrictions de durée de garantie implicite, ou l'exclusion ou la restriction des dommages consécutifs et accessoires; c'est pourquoi les restrictions ci-dessus peuvent ne pas s'appliquer à votre cas.

La présente garantie vous confère des droits précis. Il est possible que vous disposiez également d'autres droits, qui varient d'une province ou d'un État à l'autre.

Pour communiquer avec le service à la clientèle, veuillez composer le numéro sans frais suivant : **1 855 EGO-5656** ou consulter le site Web **EGOPOWERPLUS.COM**.

EGO Customer Service, 120 Ionia Street SW / Suite 102 Grand Rapids, MI 49503 États-Unis

EGO™



MANUAL DEL OPERADOR
**ACCESORIO PARA
CORTADORA DE ORILLAS**
NÚMERO DE MODELO HTA2000

PARA USO EXCLUSIVO CON EL CABEZAL ELÉCTRICO DE 56 V Y DE IONES DE LITIO PH1400

⚠ ADVERTENCIA: para reducir el riesgo de lesiones, el usuario debe leer y comprender el Manual del operador antes de utilizar este producto. Guarde estas instrucciones para consultarlas en caso sea necesario.

ÍNDICE

Símbolos de seguridad	70
Instrucciones de seguridad	71-80
Introducción	81
Especificaciones	81
Lista del paquete	81
Descripción	82-83
Ensamblaje	83-87
Funcionamiento	87-90
Mantenimiento	90-95
Solución de problemas	96-97
Garantía	98-99

¡LEA TODAS LAS INSTRUCCIONES!



LEA Y COMPRENDA
EL MANUAL DEL OPERADOR

⚠ ADVERTENCIA: parte del polvo que se crea al usar herramientas eléctricas contiene sustancias químicas que el estado de California ha identificado como causantes de cáncer y defectos congénitos u otros daños en el aparato reproductivo. Algunos ejemplos de estos químicos son los siguientes:

- Plomo de pinturas a base de plomo.
- Sílice cristalina de ladrillos, cemento y otros productos de mampostería y
- Arsénico y cromo de la madera tratada con químicos.

El riesgo que corre debido a la exposición a estos químicos varía dependiendo de la frecuencia con que realiza este tipo de trabajo. Para reducir la exposición a estas sustancias químicas: trabaje en un área bien ventilada y utilice un equipo de seguridad aprobado como las mascarillas antipolvo especialmente diseñadas para filtrar partículas microscópicas.

SÍMBOLOS DE SEGURIDAD

El objetivo de las señales y signos de seguridad es captar su atención ante posibles peligros. Los símbolos de seguridad y las explicaciones que se dan merecen su atención y comprensión cuidadosa. Las advertencias del símbolo no eliminan por sí mismas ningún peligro. Las instrucciones y las advertencias que se dan no son sustitutos de las medidas adecuadas de prevención de accidentes.

⚠ ADVERTENCIA: asegúrese de leer y de comprender todas las instrucciones de seguridad en este manual del operador, incluidos todos los símbolos de alerta de seguridad como "PELIGRO", "ADVERTENCIA" Y "PRECAUCIÓN" antes de usar esta herramienta. Si no se siguen todas las instrucciones detalladas a continuación, existe la posibilidad de una descarga eléctrica, un incendio y/o lesiones graves a la persona.

SIGNIFICADO DE LOS SÍMBOLOS

⚠ SÍMBOLO DE ALERTA DE SEGURIDAD: indica PELIGRO, ADVERTENCIA O PRECAUCIÓN. Puede usarse junto con otros símbolos o pictogramas.



⚠ ¡ADVERTENCIA! Durante el funcionamiento de cualquier herramienta eléctrica, pueden entrar objetos extraños a los ojos y causar graves daños oculares. Antes de comenzar a operar una herramienta eléctrica, use siempre lentes o gafas de seguridad con protecciones laterales y una careta protectora cuando sea necesario. Recomendamos usar una máscara de seguridad de visión amplia sobre los lentes o las gafas de seguridad estándar con protección lateral. Siempre use lentes de protección que cumplan con la norma ANSI Z87.1.

INSTRUCCIONES DE SEGURIDAD

Esta página muestra y describe los símbolos de seguridad que pueden aparecer en este producto. Lea, comprenda y siga todas las instrucciones que figuran en la máquina antes de intentar ensamblar y usar la unidad.

	<p>Alerta de seguridad</p>	<p>Indica que existe el riesgo de que se produzcan lesiones personales.</p>
	<p>Lea y comprenda el manual del operador</p>	<p>Para reducir el riesgo de lesiones, el usuario debe leer y comprender el Manual del operador antes de utilizar este producto.</p>
	<p>Use lentes de protección</p>	<p>Siempre use gafas o lentes de seguridad con protecciones laterales y una careta protectora cuando opere este producto.</p>
	<p>Utilice protección para la cabeza</p>	<p>Utilice una gorra de material duro aprobada para la seguridad y la protección de la cabeza.</p>
	<p>Mantenga una distancia suficiente de las líneas eléctricas</p>	<p>Para evitar electrocución, no opere dentro de los 15 m (50 pies) por encima de las líneas eléctricas. El contacto o la utilización cerca de las líneas de suministro pueden ocasionar lesiones graves que ocasionen la muerte.</p>
	<p>Símbolos de reciclaje</p>	<p>Este producto utiliza baterías de iones de litio. Las leyes locales, estatales o federales podrían prohibir la eliminación de baterías en basureros comunes. Consulte a su autoridad reguladora de desechos local para obtener información sobre las opciones de reciclaje o eliminación disponible.</p>

IPX4	Grado de protección de admisión	Protección contra las salpicaduras
V	Voltios	Voltaje
mm	Milímetros	Largo o tamaño
pulg.	Pulgada	Largo o tamaño
kg	Kilogramo	Peso
lb	Libra	Peso

ADVERTENCIA GENERAL DE SEGURIDAD EN EL MANEJO DE HERRAMIENTAS ELÉCTRICAS

⚠ ADVERTENCIA: lea todas las advertencias de seguridad y las instrucciones. El incumplimiento de las advertencias y las instrucciones podría provocar descargas eléctricas, incendios y/o lesiones graves.

Guarde todas las advertencias y las instrucciones para consultarlas en caso sea necesario.

El término “herramienta eléctrica” que aparece en las advertencias se refiere a la herramienta eléctrica que se conecta a la línea principal (con cable) o a la herramienta eléctrica que funciona con batería (inalámbrica).

SEGURIDAD EN EL ÁREA DE TRABAJO

- **Mantenga el área de trabajo limpia y bien iluminada.** Las áreas desordenadas u oscuras aumentan las posibilidades de accidentes.
- **No utilice herramientas eléctricas en atmósferas en las que exista riesgo de explosión, como por ejemplo en presencia de líquidos inflamables, gases o polvo.** Las herramientas eléctricas producen chispas que podrían encender el polvo o humo.
- **Mantenga a los niños y transeúntes alejados durante la operación de una herramienta eléctrica.** Las distracciones pueden hacerle perder el control.

SEGURIDAD ELÉCTRICA

- **Los enchufes de las herramientas eléctricas deben encajar en el tomacorriente. Nunca modifique el enchufe de ninguna manera.** No utilice ningún enchufe adaptador con herramientas eléctricas con puesta a tierra. Los enchufes sin modificaciones y que encajan en los tomacorrientes reducen el riesgo de descarga eléctrica.
- **Evite el contacto del cuerpo con superficies conectadas a tierra, como tuberías, radiadores, extractores o refrigeradores.** Existe un riesgo adicional de descarga eléctrica si su cuerpo está en tierra.
- **No exponga las herramientas eléctricas a la lluvia ni la humedad.** Si ingresa agua a una herramienta eléctrica, aumenta el riesgo de electrocución.

- **No maltrate el cable. Nunca use el cable para transportar, jalar ni desenchufar la herramienta eléctrica. Mantenga el cable alejado del calor, el aceite, los bordes filosos o las piezas en movimiento.** Los cables dañados o enredados aumentan el riesgo de descarga eléctrica.
- **Cuando utilice una herramienta eléctrica en exteriores, use una extensión eléctrica adecuada para uso en exteriores.** El uso de un cable adecuado para uso en exteriores reduce el riesgo de descarga eléctrica.
- **Si es inevitable utilizar una herramienta eléctrica en un lugar húmedo, use un suministro protegido GFCI (por sus siglas en inglés).** El uso de un GFCI disminuye el riesgo de descarga eléctrica.

SEGURIDAD PERSONAL

- **Manténgase alerta, preste atención a lo que hace y use el sentido común cuando utilice una herramienta eléctrica.** No utilice una herramienta eléctrica si está cansado o bajo los efectos de drogas, alcohol o medicamentos. Un momento de desatención mientras opera herramientas eléctricas puede provocar lesiones personales graves.
- **Use un equipo de protección personal. Use siempre lentes de protección.** Los equipos de protección, como mascarillas antipolvo, zapatos de seguridad antideslizantes, casco protector o protección auditiva utilizados para las condiciones adecuadas disminuyen las lesiones personales.
- **Evite un arranque accidental. Asegúrese de que el interruptor esté en la posición de apagado antes de conectar la herramienta al suministro eléctrico y/o a la batería, o antes de levantarla o transportarla.** Transportar herramientas eléctricas con el dedo en el interruptor o enchufar herramientas eléctricas que tienen el interruptor encendido aumenta las posibilidades de accidentes.
- **Retire todas las llaves de ajuste o llaves inglesas antes de encender la herramienta eléctrica.** Si se deja una llave inglesa o una llave conectada a una pieza giratoria de la herramienta eléctrica se pueden producir lesiones personales.
- **No se extienda demasiado. Mantenga una postura y un equilibrio adecuados en todo momento.** Esto permite un mejor control de la herramienta eléctrica en situaciones inesperadas.
- **Use ropa adecuada. No use ropa holgada ni joyas. Mantenga el cabello, la ropa y los guantes lejos de las piezas en movimiento.** La ropa holgada, las joyas o el cabello largo pueden quedar atrapados en las piezas en movimiento.

- **Si se proporcionan dispositivos para la conexión de instalaciones de extracción y recolección de polvo, asegúrese de que se conecten y se usen debidamente.** El uso de estos dispositivos para polvo puede disminuir los peligros relacionados con el polvo.

USO Y CUIDADO DE LAS HERRAMIENTAS ELÉCTRICAS

- **No fuerce la herramienta eléctrica. Utilice la herramienta eléctrica adecuada para su tarea.** La herramienta eléctrica adecuada realizará un trabajo más seguro y de mejor calidad a la velocidad para la que fue diseñada.
- **No utilice la herramienta eléctrica si el interruptor no la enciende ni la apaga.** Cualquier herramienta eléctrica que no pueda controlarse con el interruptor es peligrosa y debe repararse.
- **Desconecte el enchufe de la fuente de alimentación y/o la batería de la herramienta eléctrica antes de realizar cualquier ajuste, cambiar accesorios o almacenar herramientas eléctricas.** Este tipo de medidas de seguridad preventivas reduce el riesgo de encender la herramienta eléctrica accidentalmente.
- **Almacene las herramientas eléctricas que no estén en uso fuera del alcance de los niños y no permita que personas no familiarizadas con la herramienta o con estas instrucciones la operen.** Las herramientas eléctricas son peligrosas en manos de usuarios sin capacitación.
- **Realice mantenimiento a las herramientas eléctricas. Revise si hay desalineación o agarrotamiento de piezas móviles o si están rotas, así como cualquier otra condición que pueda afectar la operación de las herramientas eléctricas.** Si se daña la herramienta eléctrica, hágala reparar antes de usarla. Muchos accidentes son producto del mantenimiento incorrecto de las herramientas eléctricas.
- **Mantenga las herramientas de corte afiladas y limpias.** Las herramientas de corte que se mantienen adecuadamente, con sus bordes de corte afilados, son menos propensas a trabarse y son más fáciles de controlar.
- **Use la herramienta eléctrica, los accesorios, las brocas, etc., de acuerdo con estas instrucciones, considerando las condiciones de trabajo y el trabajo que desea realizar.** El uso de la herramienta eléctrica en operaciones distintas para las que fue diseñada podría crear una situación de peligro.

USO Y CUIDADO DE LA HERRAMIENTA A BATERÍA

- **Recargue solo con el cargador especificado por el fabricante.** Un cargador adecuado para un tipo de paquete de baterías puede crear un riesgo de incendio cuando se usa con otro paquete de baterías.
- **Use herramientas eléctricas solo con paquetes de baterías designados específicamente.** El uso de cualquier otro paquete de baterías puede crear un riesgo de lesión e incendio.
- **Cuando el paquete de baterías no esté en uso, manténgalo alejado de objetos metálicos, como sujetapapeles, monedas, llaves, clavos, tornillos u otros objetos metálicos pequeños que pudieran crear una conexión entre los terminales.** Es posible que la conexión entre los terminales de la batería produzca quemaduras o un incendio.
- **En condiciones de maltrato, es posible que salga líquido de la batería. Evite el contacto. Si se produce un contacto accidental, enjuague con agua.** Si el líquido entra en contacto con los ojos, solicite atención médica adicional. El líquido que sale de la batería puede provocar irritación o quemaduras.

MANTENIMIENTO

- **Permita que una persona capacitada repare la herramienta eléctrica y que utilice solo piezas de repuesto idénticas. Esto mantendrá la seguridad de la herramienta eléctrica.**

INSTRUCCIONES DE SEGURIDAD PARA LA CORTADORA DE ORILLAS

⚠ PELIGRO – mantenga las manos alejadas de la hoja. El contacto con la hoja podría provocar lesiones personales graves.

- **Mantenga su cuerpo alejado de la hoja cortadora. No retire el material cortándolo ni sostenga el material que va a cortar cuando las hojas estén en movimiento. Verifique que el interruptor esté apagado al limpiar el material atascado. Las hojas siguen girando después de apagar la herramienta.** Un momento de desatención mientras opera la cortadora de orillas puede provocar lesiones personales graves.
- **Transporte la cortadora de orillas del mango cuando la hoja cortadora no esté en funcionamiento. Al transportar o almacenar la cortadora, siempre coloque la cubierta del dispositivo de corte.** La manipulación adecuada de la cortadora de orillas reducirá cualquier lesión personal potencial ocasionada por las hojas cortadoras.

- **Sostenga la herramienta eléctrica de las superficies de agarre aisladas solamente porque la hoja cortadora puede entrar en contacto con el cableado oculto.** Es posible que las hojas cortadoras que entren en contacto con un cable “energizado” también “energicen” las piezas de metal expuestas de la herramienta eléctrica y podrían provocar una descarga eléctrica al operador.
- **Mantenga el cable alejado del área de corte.** Durante el funcionamiento, el cable puede estar oculto en arbustos y la hoja podría cortarlo accidentalmente.

INSTRUCCIONES DE SEGURIDAD PARA LA CORTADORA DE ORILLAS EXTENDIDA

- **No utilice la cortadora de orillas de alcance extendido en condiciones climáticas adversas, en especial cuando hay riesgo de que hayan rayos.** Esto disminuirá el riesgo de que le caiga un rayo.
- **Para reducir el riesgo de electrocución, nunca la utilice cerca de las líneas de suministro.** El contacto o la utilización cerca de las líneas de suministro pueden ocasionar lesiones graves que ocasionen la muerte.
- **Sostenga siempre la cortadora de orillas de alcance extendido con ambas manos cuando la utilice.** Sostenga la cortadora de orillas de alcance extendido con ambas manos para evitar la pérdida de control.
- **Siempre utilice protección para la cabeza al utilizar la cortadora de orillas de alcance extendido por encima de la cabeza.** Los desechos que caen pueden provocar lesiones personales graves.

⚠ ¡ADVERTENCIA! Solo utilice con el mango ensamblado a la cortadora de orillas. El uso de la cortadora de orillas sin el mango adecuado provisto puede provocar lesiones personales graves.

- **Despeje el área que va a cortar antes de cada uso. Verifique que el seto no tenga objetos extraños como por ejemplo cercas de alambre.**
- **No la use sobre una escalera, el techo, un árbol o sobre ningún otro soporte inestable.** Un apoyo de pies estable sobre una superficie sólida permite un mejor control de la cortadora de orillas en situaciones inesperadas.
- **No se extienda demasiado. Mantenga una postura y un equilibrio adecuados en todo momento. Se debe tener cuidado especial en condiciones resbalosas (nieve o terreno húmedo) y en condiciones difíciles como terreno de pasto crecido en exceso. Tenga cuidado con los obstáculos ocultos como palos ocultos, raíces y zanjas para evitar cortes, arbustos o ramas caídas. Tenga mucho cuidado cuando trabaje en cuestas o en terreno desnivelado.**

- **Observe las hojas cortadoras en todo momento, no corte ningún área si no puede ver el seto. Al cortar la parte superior de un seto más alto, verifique constantemente el otro lado por si hubiera peatones, animales u obstrucciones.**
- **No agarre las hojas cortadoras o los bordes de corte que queden expuestos cuando levante o sostenga la cortadora de orillas.**
- **En las máquinas con una posición de transporte definida (la hoja cortadora debe estar plegada sobre el vástago de la cortadora de orillas): nunca encienda la máquina en la posición de transporte puesto que las hojas no están enganchadas en esa posición y, por lo tanto, no puede verificar visualmente que se hayan detenido al empezar a ajustar la hoja cortadora a la posición de corte deseada (donde las hojas están enganchadas).**
- **Verifique las piezas dañadas antes de utilizar la cortadora de orillas posteriormente. Debe verificar detenidamente que ninguna pieza esté dañada para que la cortadora funcione correctamente y realice la función deseada. Verifique la alineación y la unión de las piezas móviles, la ruptura de las piezas, la instalación y cualquier otro tipo de condición que pueda afectar el funcionamiento. Cualquier pieza que esté dañada debe repararse o reemplazarse correctamente en un centro de servicio autorizado a menos que se indique en otro lugar en este manual.**
- **Verifique, con frecuencia, que los pernos de montaje del motor y la hoja estén bien ajustados. También, inspeccione visualmente si la hoja está dañada (por ejemplo, si está doblada, agrietada o desgastada). Reemplace la hoja solo con otra de EGOTM.**
- **Reemplace la hoja si está doblada o agrietada. Una hoja desequilibrada ocasiona vibración, lo cual podría dañar la unidad del motor u ocasionar daños personales.**
- **Si el equipo comienza a vibrar de manera anormal, detenga el motor y busque la causa de inmediato. Por lo general, la vibración advierte acerca de un problema.**
- **Nunca permita que los niños utilicen la cortadora de orillas.**
- **La cortadora de orillas será utilizada para cortar los tallos a menos de 26 mm (1 pulg.) de grosor.**
- **Corte el césped solamente con luz de día o una buena luz artificial.**

- Siga las instrucciones para lubricar y afilar.
- Mantenga las manijas secas, limpias y sin aceite ni grasa.

ADVERTENCIAS ADICIONALES

- **No cargue el paquete de baterías en una ubicación húmeda o mojada.**
- **Use solamente los paquetes de baterías y los cargadores que se indican a continuación:**

BATERÍA	CARGADOR
BA1120, BA1400, BA2240	CH5500
BA2800, BA4200	CH2100

- El paquete de baterías debe retirarse del electrodoméstico antes de que se fragmente.
- La batería se debe reciclar o desechar.
- **No incinere la batería. Las celdas pueden explotar.** Revise los códigos locales para obtener instrucciones especiales para la eliminación de las baterías.
- **No abra ni mutile la batería.** Los electrolitos liberados son corrosivos y pueden causar daños en los ojos o la piel. Puede ser tóxico si se ingiere.

⚠ ¡PRECAUCIÓN! El electrolito es un ácido sulfúrico diluido que es dañino para los ojos y para la piel. Conduce electricidad y es corrosivo.

- **Tenga cuidado al manipular las baterías para no hacer corto circuito con materiales conductores como anillos, pulseras o llaves.** Es posible que la batería o el conductor se recalientes y ocasiones quemaduras.
- **Piezas de repuesto** - al realizar mantenimiento, utilice solo piezas de repuesto idénticas de EGO. El uso de cualquier otro accesorio o aditamento incrementará el riesgo de lesiones.
- **Las herramientas con batería no se deben enchufar en un tomacorriente; por lo tanto, siempre están en condiciones de funcionamiento.** Tenga en cuenta que hay posibles peligros incluso cuando no usa su herramienta. Tenga cuidado al realizar la reparación o el mantenimiento.
- **Retire o desconecte el paquete de baterías antes de realizar cualquier mantenimiento, limpieza o al retirar el material de la cortadora de orillas.**
- **No lave con una manguera, evite que ingrese agua al motor y a las conexiones eléctricas.**

- **Almacene la herramienta en un lugar seco y alto o con seguro y fuera del alcance de los niños.**
- **Si se presenta alguna situación que no aparece en este manual, tenga cuidado y aplique su criterio. Comuníquese con el Departamento de Servicio al Cliente de EGO para obtener ayuda.**
- **Guarde estas instrucciones.** Consúltelas periódicamente y utilícelas para instruir a otras personas que puedan utilizar esta herramienta. Si presta la herramienta a alguien más, préstele también estas instrucciones para prevenir el mal uso del producto y posibles lesiones.

GUARDE ESTAS INSTRUCCIONES!

NOTA: CONSULTE EL MANUAL DEL OPERADOR PARA LOS CABEZALES PARA OBTENER INFORMACIÓN ADICIONAL ESPECÍFICA A LAS REGLAS DE SEGURIDAD.

INTRODUCCIÓN

Felicitaciones por haber elegido el ACCESORIO DE LA CORTADORA DE ORILLAS EGO. Ha sido concebido, diseñado y fabricado para brindarle una confiabilidad y un rendimiento máximos.

Si experimenta algún problema que no puede solucionar fácilmente, llame al 1-855-EGO-5656 para ponerse en contacto con el Centro de servicio al cliente de EGO.

Este manual contiene información importante para ensamblar, usar y efectuar el mantenimiento del producto de forma segura. Léalo atentamente antes de usar el producto. Téngalo a mano para poder consultarlo cuando sea necesario.

NÚMERO DE SERIE _____ FECHA DE COMPRA _____
ANOTE EL NÚMERO DE SERIE Y LA FECHA DE COMPRA Y GUARDE ESTOS DATOS EN UN LUGAR SEGURO PARA CONSULTARLOS EN CASO DE QUE SEA NECESARIO.

ESPECIFICACIONES

Largo de la hoja	510 mm (20 pulg)
Capacidad de corte	26 mm (1 pulg)
Peso (incluido el protector de la hoja)	5.40 lbs (2.45 kg)

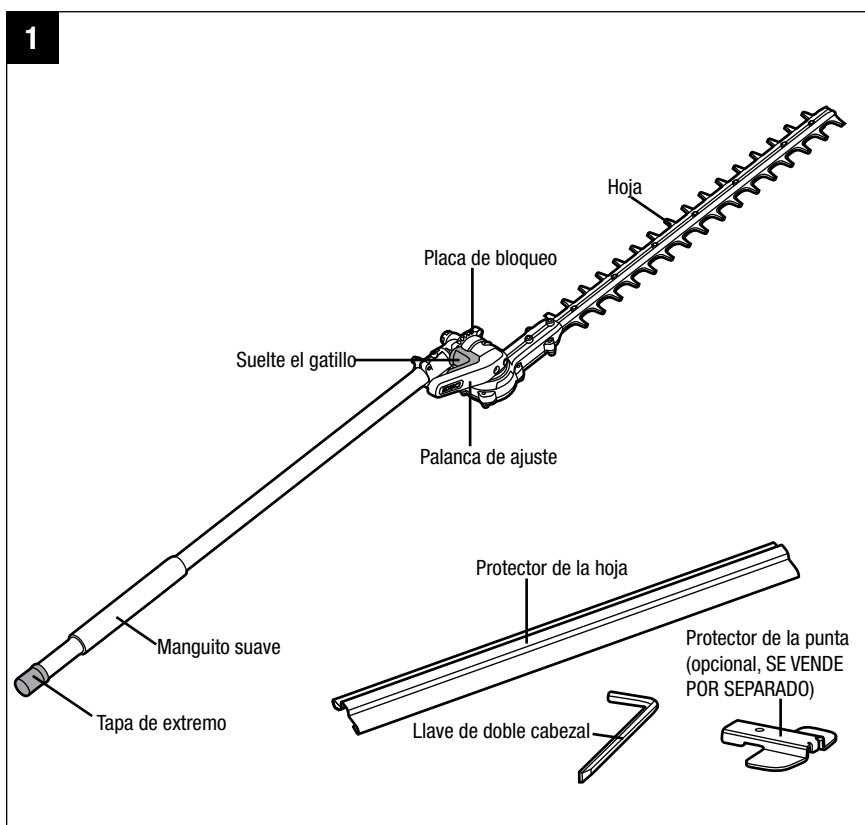
LISTA DE EMPAQUE

NOMBRE DE LA PIEZA	CANTIDAD
Accesorio para cortadora de orillas	1
Protector de la hoja	1
Llave de doble cabezal	1
Manual del operador	1

DESCRIPCIÓN

CONOZCA SU ACCESORIO PARA CORTADORA DE ORILLAS (Fig. 1)

El uso seguro de este producto requiere de la comprensión de la información en la herramienta y en el manual del operador, además del conocimiento sobre el proyecto que intenta llevar a cabo. Antes de usar este producto, familiarícese con todas las características de operación y las normas de seguridad.



Tapa de extremo

Protege el vástago del ingreso de polvo y desechos cuando la herramienta no se utiliza.

Manguito suave

Para mayor comodidad y control.

Llave de doble cabezal

Bloquea/desbloquea el perno de lubricación de la cabeza hexagonal.

Protector de la punta (opcional, SE VENDE POR SEPARADO)

Protege el extremo exterior de la hoja. Se vende por separado. Se necesita algo, visite el sitio web egopowerplus.com. número de modelo: ATP2000.

Hoja

Hojas de acero endurecidas para cortar los setos y los arbustos.

Protector de la hoja

Protege contra el contacto de las hojas afiladas cuando la herramienta no se utiliza. Protege las hojas de los daños al transportar y al almacenar la herramienta.

Liberación del gatillo/Ajuste de la palanca/Bloqueo de la placa

Ajusta la hoja de la cortadora de orillas a la posición de trabajo deseada.

ENSAMBLAJE

⚠ ¡ADVERTENCIA! Si hay piezas dañadas o faltantes, no utilice el producto hasta que las haya reemplazado. El uso de este producto con piezas dañadas o faltantes podría causar lesiones personales graves.

⚠ ¡ADVERTENCIA! No intente modificar este producto ni crear accesorios que no sean recomendados para utilizar con este producto. Cualquier alteración o modificación es considerada un mal uso y podría causar una condición peligrosa que podría producir lesiones personales graves.

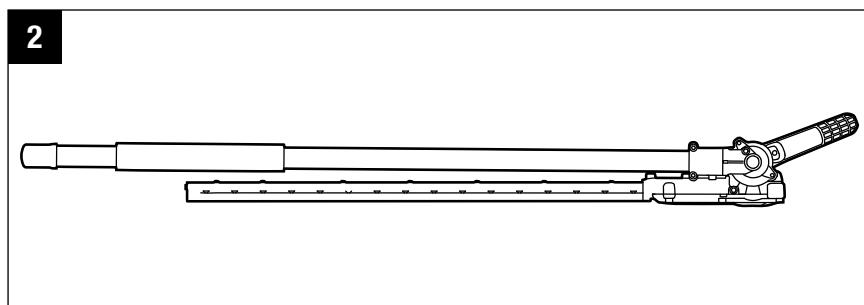
⚠ ¡ADVERTENCIA! Nunca coloque ni ajuste ningún accesorio si el cabezal eléctrico está funcionando o con la batería instalada. El no detener el motor y el retirar la batería puede ocasionar lesiones personales graves.

DESEMBALAJE

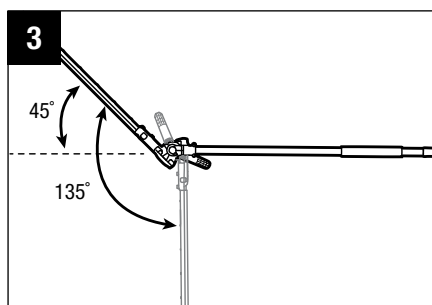
- Este producto requiere de ensamblado.
- Retire el producto y los accesorios de la caja cuidadosamente. Asegúrese de que estén incluidos todos los artículos que aparecen en la lista de empaque.
- Inspeccione cuidadosamente la herramienta para asegurarse de que no se produjo ninguna ruptura o daño durante su envío.
- No deseche el material de embalaje hasta que haya inspeccionado cuidadosamente y utilizado satisfactoriamente la herramienta.
- Si hay piezas faltantes o dañadas, devuelva este producto al lugar donde lo compró.

CÓMO AJUSTAR LA HOJA

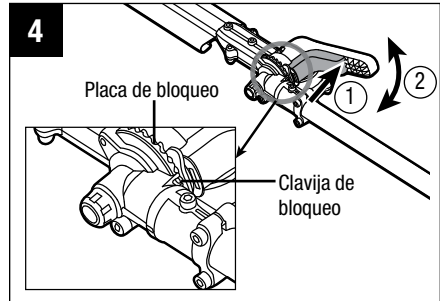
Al retirar la cortadora de orillas del empaque, está doblada en la posición de almacenaje con la hoja sobre el vástago (Fig. 2). Ajuste la hoja a la posición de trabajo deseada antes de colocarla en el cabezal eléctrico.



Hay 12 posiciones de trabajo disponibles (Fig. 3). El ángulo de la hoja puede ajustarse hacia arriba a cualquiera de las 5 posiciones, desde 0 (recto) a 45 y hacia abajo a cualquiera de las 7 posiciones, desde 0 a 90 (ángulo recto hacia abajo).



1. Al presionar el gatillo de liberación, gire la palanca de ajuste para regular la hoja a la posición de corte deseada (Fig. 4).
2. Una vez que esté en la posición deseada, libere el gatillo. Escuchará un clic que indica que la clavija de bloqueo se ha enganchado en la placa de bloqueo (Fig. 4).

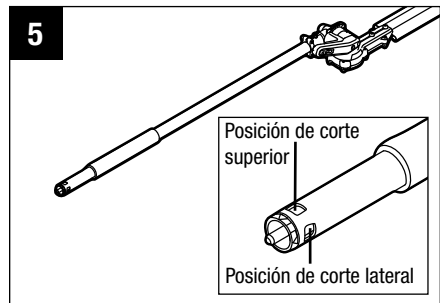


⚠ ¡ADVERTENCIA! Para reducir el riesgo de lesiones, retire el paquete de baterías antes de realizar cualquier ajuste y de hacer ajustes solo cuando las hojas estén detenidas. Nunca toque las hojas al realizar ajustes.

⚠ ¡ADVERTENCIA! Para reducir el riesgo de lesiones, detenga siempre la herramienta, retire la batería y cubra la hoja con el protector de hojas antes de moverla a la posición de almacenaje o de la posición de almacenaje a la posición de trabajo normal.

CÓMO CONECTAR EL ACCESORIO DE LA CORTADORA DE ORILLAS AL CABEZAL ELÉCTRICO

Este accesorio de la cortadora de orillas está diseñado para utilizarse con el cabezal eléctrico EGO PH1400. La cortadora de orillas puede colocarse en la posición de corte superior o en la posición de corte lateral (Fig. 5). Para obtener técnicas de trabajo más detalladas, consulte la sección “**TÉCNICAS DE TRABAJO**” en este manual.

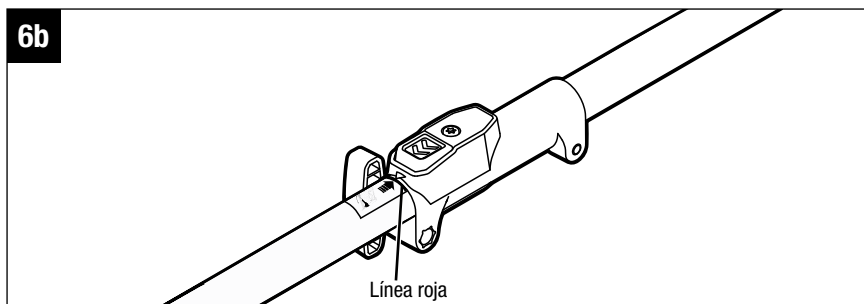
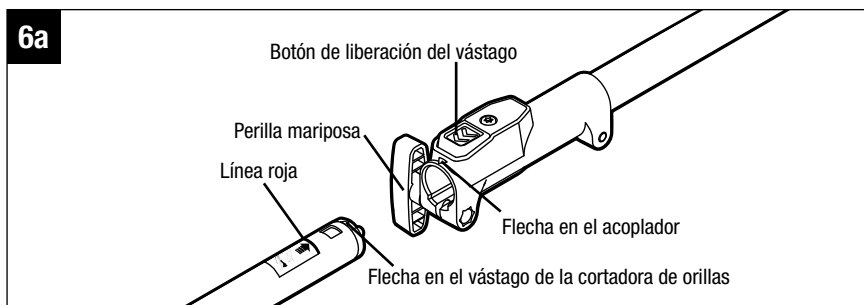


El accesorio de la cortadora de orillas se conecta al cabezal eléctrico por medio del dispositivo acoplador.

1. Detenga el motor y retire el paquete de baterías.
2. Afloje la perilla mariposa.

3. Retire la tapa de extremo del accesorio de la cortadora de orillas y colóquela en un lugar seguro para utilizarla posteriormente. Alinee la flecha en el vástago de la cortadora de orillas con la flecha en el acoplador (Fig. 6a) y presione el vástago de la cortadora de orillas en el acoplador hasta que escuche el sonido de un clic. El acoplador debe colocarse hasta la etiqueta con la LÍNEA ROJA en el vástago de la cortadora de orillas de manera que el vástago de la cortadora de orillas esté colocado en su lugar (Fig. 6b).
4. Jale el vástago en la cortadora de orillas para verificar que esté firmemente asegurado en el acoplador. Si no, gire el vástago en la cortadora de orillas de lado a lado en el acoplador hasta que se enganche en su lugar.
5. Ajuste firmemente la perilla mariposa.

⚠ ¡ADVERTENCIA! Asegúrese de que la perilla mariposa esté completamente apretada antes de hacer funcionar la herramienta y verifique periódicamente para ver si está bien asegurada para evitar daños personales serios.

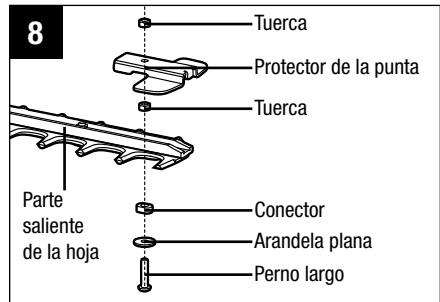
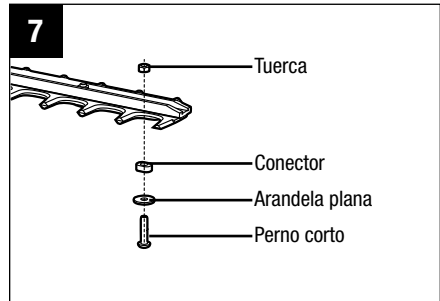


CÓMO RETIRAR EL ACCESORIO DEL CABEZAL ELÉCTRICO

1. Detenga el motor y retire el paquete de baterías.
2. Afloje la perilla mariposa.
3. Presione el botón de liberación del vástago y, con el botón presionado, jale o gire el vástago de la cortadora de orillas del acoplador para separarlo del cabezal eléctrico.

CÓMO INSTALAR EL PROTECTOR DE PUNTAS (disponible por separado)

1. Utilice una llave hexagonal de 3 mm (no se incluye) para retirar el perno corto, la arandela plana, el conector y la tuerca al extremo de la hoja (Fig. 7). Guarde la arandela plana, el conector y la tuerca para ensamblar de nuevo.
2. Alinee el protector de puntas con la parte saliente en la hoja y colóquelo en su lugar. Asegúrelo con el nuevo perno largo y con la tuerca así como con la arandela, el conector y el perno que ha guardado (Fig. 8).



FUNCIONAMIENTO

⚠ PELIGRO: nunca corte cerca del suministro eléctrico, de los cables eléctricos ni de otras fuentes eléctricas. Si las hojas se atascan en cualquier cable o suministro eléctrico, **NO TOQUE LA HOJA NI EL POSTE DE ALUMINIO. PUEDEN CARGARSE DE ELECTRICIDAD Y PUEDEN SER MUY PELIGROSOS.** Continúe sosteniendo la cortadora de orillas de la manija posterior que está aislada o colóquela sobre una superficie y lejos de usted de manera segura. Desconecte el servicio eléctrico del suministro o del cable dañado antes de intentar liberar la hoja del suministro o del cable. El contacto con la hoja, otras piezas conductoras de la cortadora de orillas o con cables o suministro cargados de electricidad puede ocasionar la muerte por electrocución o daño severo.

⚠ ADVERTENCIA: no permita que la familiaridad con este producto lo vuelva descuidado. Recuerde que un descuido de una fracción de segundo es suficiente para provocar lesiones graves.

⚠ ADVERTENCIA: siempre use lentes de protección que cumplan con la norma ANSI Z87.1. De lo contrario, los objetos que salgan despedidos pueden ingresar a los ojos y causar otras lesiones graves.

⚠ ADVERTENCIA: para evitar lesiones personales graves, retire el paquete de baterías de la herramienta antes de realizar el mantenimiento, limpiarlo, cambiar los accesorios o retirar el material de la unidad.

Antes de usar, inspeccione el producto para verificar que no haya piezas dañadas, faltantes o flojas, como tornillos, tuercas, pernos, tapas, etc. Apriete bien todos los sujetadores y las tapas y no use el producto hasta que se hayan reemplazado las piezas faltantes o dañadas.

APLICACIONES

Puede utilizar este producto para cortar setos, arbustos, vegetación y material similar con una rama de menos de 1 pulg.

CÓMO UTILIZAR LA CORTADORA DE ORILLAS CON EL CABEZAL ELÉCTRICO

⚠ ADVERTENCIA: use ropa adecuada para reducir el riesgo de lesiones cuando opere esta herramienta. No use ropa holgada ni joyas. Use protección para los ojos y las orejas. Use pantalones largos y pesados, botas y guantes. No use pantalones cortos ni sandalias, ni tenga los pies descalzos.

PREPARACIÓN PARA EL CORTE

Consulte las “INSTRUCCIONES DE SEGURIDAD” de este manual para contar con la seguridad adecuada del producto.

1. Ajusta la hoja de corte a la posición de trabajo deseada.
2. Retire el protector de la hoja de esta.

TÉCNICAS DE TRABAJO

- Corte horizontal (con la hoja en un ángulo)**

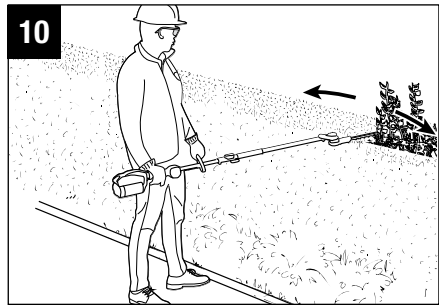
Corte cerca al suelo desde una posición vertical, por ejemplo para cortar arbustos bajos.

Mueva la hoja de derecha a izquierda a medida que se mueve junto con el seto: utilice ambos lados y no coloque la hoja cortadora en el suelo.



- Corte horizontal (con la hoja recta)**

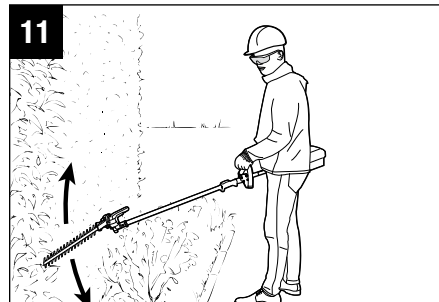
Sostenga la hoja en un ángulo de 0° a 10° a medida que mueve la cortadora de orillas lentamente y con un movimiento horizontal. Mueva la hoja en forma de arco hacia la parte exterior del seto de manera que los cortes sean barridos hacia el suelo (Fig. 10).



Recomendación: corte los setos que no estén más arriba de la altura del pecho en esta posición de trabajo.

- Corte vertical (con la hoja en un ángulo)**

Esto es útil al cortar sin pararse directamente cerca al seto, por ejemplo que haya un macizo de flores entre el operado y el seto.



En esta situación, es mejor conectar la cortadora de orillas al cabezal eléctrico en la posición de corte lateral (consulte Fig. 5).

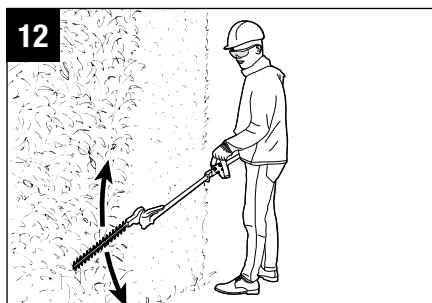
Mueva lentamente la hoja hacia arriba y abajo en forma de arco a medida que se mueva a lo largo del seto, utilice ambos lados de la hoja de corte (Fig. 11).

- **Corte vertical (con la hoja recta)**

Mueva lentamente la hoja hacia arriba y abajo en forma de arco a medida que se mueva a lo largo del seto, utilice ambos lados de la hoja (Fig. 12).

- **Corte por encima de la cabeza (con la hoja en un ángulo)**

Sostenga la cortadora de orillas de manera vertical y mueva lentamente en forma de arco para hacer uso máximo de su alcance (Fig. 13).



⚠ ADVERTENCIA: cualquier posición de trabajo por encima de la cabeza es agotadora. Para reducir el riesgo de accidentes, trabaje en dichas posiciones por periodos cortos solamente. Coloque el ángulo de la hoja al máximo para que la herramienta pueda sostenerse en una posición menos agotadora y más abajo y, que a la vez, proporcione el alcance suficiente.

CÓMO ENCENDER/DETENER LA HERRAMIENTA

Consulte la sección "CÓMO ENCENDER/DETENER EL CABEZAL ELÉCTRICO" en el manual del operador del cabezal eléctrico PH1400.

MANTENIMIENTO

⚠ ADVERTENCIA: al realizar mantenimiento, utilice solo piezas de repuesto idénticas a las de fabricación. El uso de cualquier otra pieza puede crear un peligro o causar daños en el producto. Para garantizar la seguridad y confiabilidad, toda reparación debe ser realizada solo por un técnico de mantenimiento calificado.

⚠ ADVERTENCIA: para evitar lesiones personales graves, retire el paquete de baterías del cabezal eléctrico antes de inspeccionar, limpiar, realizar el mantenimiento o cambiar los accesorios adicionales. Una herramienta que funciona con un paquete de baterías al interior siempre está encendida y puede iniciar el funcionamiento accidentalmente.

MANTENIMIENTO GENERAL

Evite utilizar solventes para limpiar las piezas de plástico. La mayoría de los plásticos tienden a dañarse con los distintos tipos de solventes comerciales. Utilice un paño limpio para eliminar la suciedad, el polvo, el aceite, la grasa, etc.

⚠ ADVERTENCIA: al limpiar el accesorio de la cortadora de orillas, NO lo sumerja en agua ni en otros líquidos.

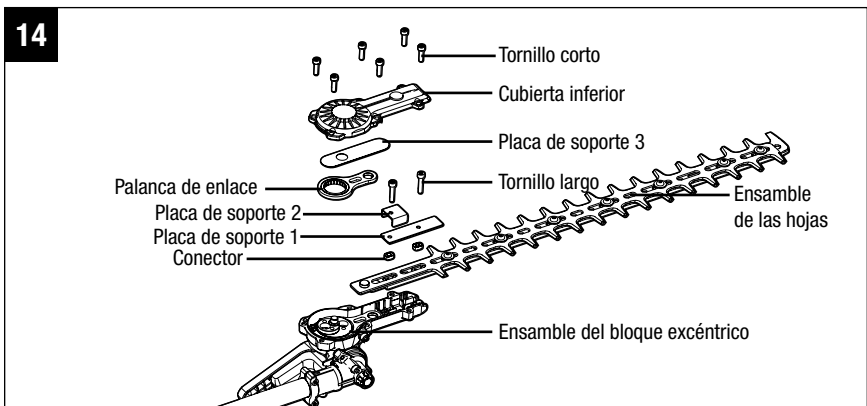
LIMPIEZA

- Utilice un cepillo suave para retirar los desechos de todas las entradas de aire y de las hojas de corte.
- Para retirar el alquitrán y otros residuos pegajosos, rocíe las hojas con un solvente de resina. Encienda el motor por un periodo corto de tiempo de manera que el solvente se distribuya de manera uniforme.
- no utilice detergentes fuertes en el armazón de plástico o en la manija. Pueden resultar dañados por ciertos aceites aromáticos como el pino y el limón y por solventes como el querosene. La humedad también puede ocasionar riesgo de descarga eléctrica. Limpie la humedad con un paño suave y seco. NUNCA utilice agua para limpiar la herramienta.

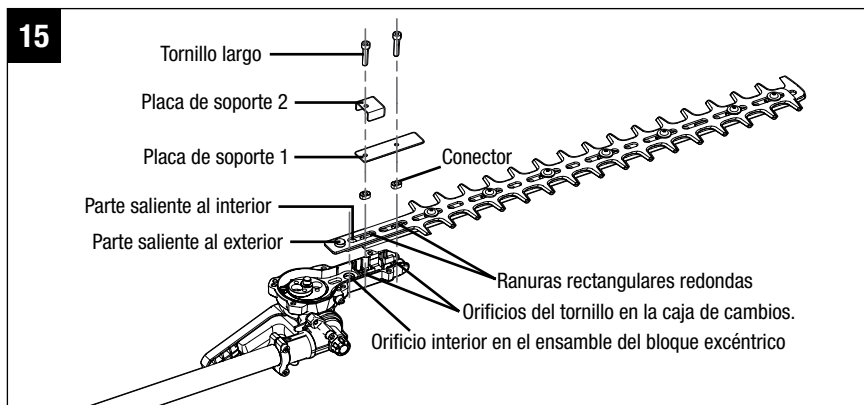
Todo el mantenimiento de la cortadora de orillas que no sean los artículos en la lista de estas instrucciones de mantenimiento debe realizarse por el personal competente para realizar el mantenimiento de la cortadora de orillas.

REEMPLAZO DE LA HOJA

⚠ ADVERTENCIA: siempre utilice guantes al manipular la hoja, estos componentes son muy afilados y pueden contener rebabas.



1. Detenga el motor y retire el paquete de baterías.
2. Ajuste la hoja a la posición horizontal, asegúrese de que el ensamble de la hoja esté alineado con el vástago de la cortadora de orillas para contar con un montaje fácil (Fig. 14).
3. Utilice una llave hexagonal de 4 mm (no se incluye) para aflojar los 6 tornillos (tornillos cortos) en la cubierta inferior y retírelos.
4. Continúa aflojando los 2 tornillos (tornillos largos) para retirar la placa de soporte 1 y 2 así como los 2 conectores. Los 2 conectores están ubicados separadamente dentro de las dos ranuras rectangulares en el ensamble de la hoja.
5. Retire la placa de soporte 3.
6. Retire cuidadosamente la palanca de enlace de la hoja.
7. Retire el ensamble de la hoja de la herramienta y sustitúyalo con el nuevo.
8. Alinee la parte saliente interior en el nuevo ensamble de la hoja con el orificio en el interior del ensamble del bloque excéntrico para instalar el nuevo ensamble de la hoja en su lugar.
9. Coloque los dos conectores en los dos rectángulos redondeados por separado.
10. Instale la placa de soporte 1 y luego instale la placa de soporte 2.
11. Mantenga los orificios interiores en la hoja, los conectores y los orificios en las placas de soporte alineados con los orificios de los tornillos en la caja de cambios. Instale los 2 tornillos largos en los orificios alineados y apriételes con firmeza (Fig. 15).

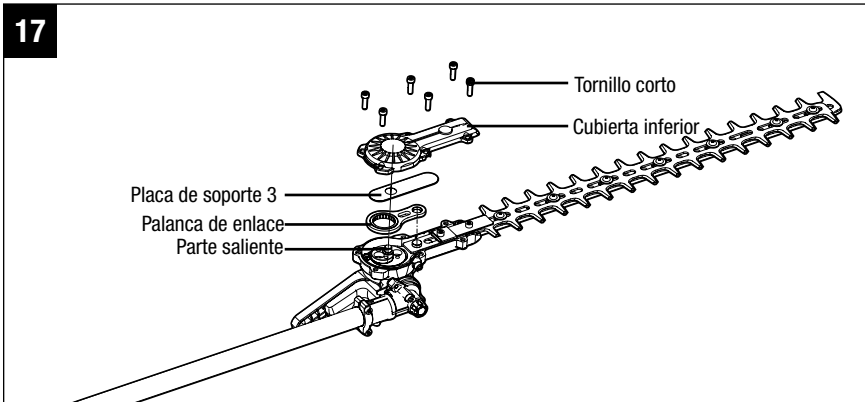
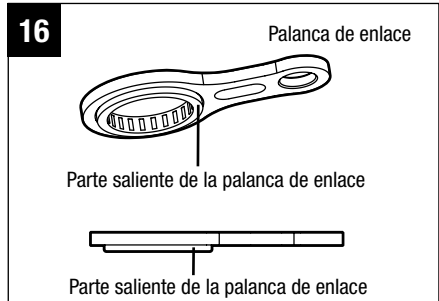


12. Mueva ligeramente la hoja superior hacia atrás y hacia delante para verificar si la hoja puede moverse libremente. Si no, vuelva a ensamblar las hojas hasta que la hoja superior se pueda mover libremente.

13. Instale la palanca de enlace con la parte saliente mirando hacia la hoja (Fig. 16).

14. Alinee el orificio de la placa de soporte 3 con la parte saliente del ensamble del bloque excéntrico para instalar la placa de soporte en su lugar verificando que la placa se encuentre ubicada exactamente en el centro, paralela a ambos bordes.

15. Instale la cubierta inferior en la caja de cambios y asegúrela con los 6 tornillos cortos (Fig. 17).



16. Arranque la cortadora de orillas para verificar si funciona con normalidad. Si no fuera así, vuelva a ensamblar siguiendo los pasos anteriores.

CÓMO AFILAR LA HOJA

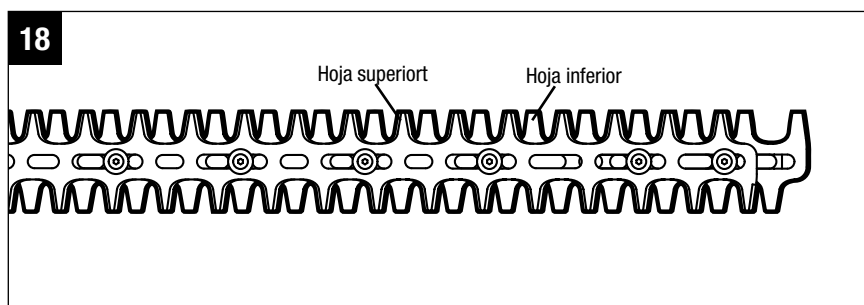
Cuando el rendimiento de corte y el funcionamiento empiecen a deteriorarse, vuelva a afilar las hojas. Se recomienda que un técnico de servicio calificado se encarga de volver a afilar las hojas.

AVISO: no haga funcionar la cortadora de orillas con hojas dañadas o sin filo. Esto puede ocasionar una sobrecarga y dará como resultado cortes inaceptables.

CÓMO LUBRICAR LA HOJA

Para evitar la oxidación, se recomienda lubricar las hojas con aceite antioxidante si se va a almacenar por un periodo largo de tiempo.

Si las hojas superiores está alineadas por completo con las hojas inferiores, arranque la cortadora de orillas y luego deténgala para equilibrar las hojas antes de la lubricación (Fig.18).



⚠ ADVERTENCIA: las hojas son afiladas. Cuando manipule el ensamble de las hojas, use guantes protectores antideslizantes para trabajo pesado. No coloque sus manos o dedos entre las hojas o en cualquier posición en la que pueda sufrir un corte o pellizcarse. NUNCA toque las hojas ni haga mantenimiento de la unidad con el paquete de baterías al interior de la unidad.

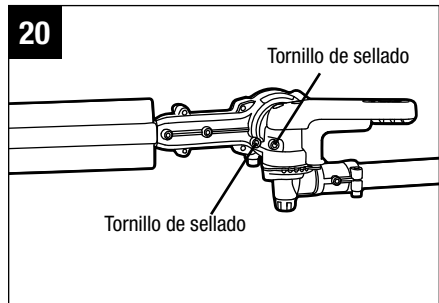
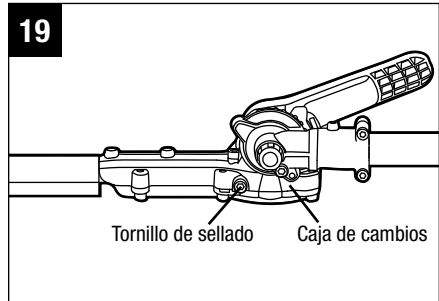
LUBRICACIÓN DE LOS CAMBIOS DE TRANSMISIÓN

Los cambios de transmisión en la caja de cambios tienen que lubricarse periódicamente con aceite para cambios. Verifique que la palanca de engrase de la caja de cambios cada 50 horas de funcionamiento al retirar el tornillo sellador de la caja de cambios. Existen tres tornillos selladores: uno en de lado y dos en la parte superior.

Si no se ve el aceite en los costados del cambio, siga los pasos a continuación para engrasar los cambios a $\frac{3}{4}$ de la capacidad.

No llene por completo los cambios de transmisión.

1. Dependiendo del tornillo que retire, coloque la cortadora de orillas sobre la parte posterior o sosténgala de lado de manera que el tornillo sellador que se va a retirar esté mirando hacia arriba (Fig. 19 & 20).
2. Utilice la llave de doble cabezal que se proporciona para aflojar y retirar el tornillo sellador.
3. Utilice una pistola de engrase (no se incluye) para inyectar algo de grasa en el orificio del tornillo, no supere los 3/4 de la capacidad.
4. Apriete el tornillo sellador luego de la inyección.



TRANSPORTE Y ALMACENAJE

- Retire el paquete de baterías de la herramienta.
- Haga una limpieza profunda de la herramienta antes de almacenarla.
- Coloque el protector de hojas en la hoja de corte antes de almacenarla o de transportarla. Sea precavido para evitar toparse con los dientes afilados de las hojas. Para ahorrar espacio, doble la cortadora de orillas y colóquela en la posición de almacenaje (consulte la Fig. 2).
- Si se retira la cortadora de orillas del cabezal eléctrico y se almacena por separado, coloque la tapa de extremo en el vástago de la cortadora de orillas para evitar que ingrese polvo en el acoplador.
- Almacene la unidad en un lugar seco y bien ventilado, alto o con seguro y fuera del alcance de los niños. No almacene la unidad sobre o cerca de fertilizantes, gasolina u otros químicos.

SOLUCIÓN DE PROBLEMAS

PROBLEMA	CAUSA	SOLUCIÓN
La cortadora de orillas no funciona.	<ul style="list-style-type: none"> ■ El paquete de baterías no está fijo al cabezal eléctrico. ■ No hay contacto eléctrico entre la cortadora de orillas y la batería. ■ El paquete de baterías está agotado. ■ El botón de bloqueo no ha sido presionado antes de apretar el interruptor del gatillo. ■ El paquete de baterías o el cabezal está demasiado caliente. ■ La hoja está atascada. ■ La cortadora de orillas no está bien conectada con el cabezal. 	<ul style="list-style-type: none"> ■ Fije el paquete de baterías al cabezal eléctrico. ■ Retire la batería, verifique los contactos y vuelva a instalar el paquete de baterías. ■ Cargue el paquete de baterías. ■ Presione la palanca de bloqueo y sosténgala, luego presione el gatillo para encender la cortadora de orillas. ■ Deje que el paquete de baterías o que el cabezal eléctrico se enfríen hasta que la temperatura caiga por debajo de los 67° C (152° F). ■ Retire el paquete de baterías de la herramienta. Retire con cuidado la obstrucción y vuelva a colocar la batería y vuelva a encender la herramienta. ■ Desconecte la cortadora de orillas del cabezal eléctrico. Vuelva a conectarlos siguiendo las instrucciones de la sección "CÓMO CONECTAR EL ACCESORIO DE LA CORTADORA DE ORILLAS AL CABEZAL ELÉCTRICO" de este manual.

PROBLEMA	CAUSA	SOLUCIÓN
Ruidos o vibración excesiva.	<ul style="list-style-type: none">■ Hojas secas u oxidadas.■ Las hojas o el soporte de la hoja está doblado. ■ Los dientes están dañados o doblados. ■ Afloja los pernos de la hoja.	<ul style="list-style-type: none">■ Lubrique las hojas.■ Reemplace con una hoja nueva o con un soporte nuevo siguiendo las instrucciones de la sección “REEMPLAZO DE LA HOJA” en este manual o póngase en contacto con el centro de servicio de EGO para efectuar el reemplazo.■ Reemplace con una hoja nueva siguiendo las instrucciones de la sección “REEMPLAZO DE LA HOJA” en este manual o póngase en contacto con el centro de servicio de EGO para efectuar el reemplazo.■ Apriete los pernos de las hojas. Utilice una llave hexagonal de 3 mm (no se incluye), gire el perno en dirección de las manecillas del reloj para apretar.

GARANTÍA

POLÍTICA DE GARANTÍA DE EGO

Garantía limitada de 5 años para el equipo electromecánico para exteriores EGO y garantía limitada de 3 años para los cargadores y las baterías del Sistema, EGO Power+.

Póngase en contacto con Servicio al Cliente de EGO de manera gratuita al 1-855-EGO-5656, cuando tenga preguntas o reclamaciones de garantía.

GARANTÍA LIMITADA DE SERVICIO

Este producto EGO está garantizado contra defectos en los materiales y la mano de obra POR CINCO AÑOS desde la fecha de su compra original. El producto defectuoso se reparará de manera gratuita.

El cargador y las baterías del Sistema EGO Power+ están garantizados contra defectos en los materiales y la mano de obra POR TRES AÑOS desde la fecha de su compra original. El producto defectuoso se reparará de manera gratuita.

Esta garantía no cubre piezas de mantenimiento de rutina o piezas fungibles que puedan desgastarse durante el uso normal dentro del periodo de garantía.

- a) Esta garantía se aplica solo al comprador original en el distribuidor minorista y podría no ser transferible.
- b) El periodo de garantía para cualquier pieza o producto EGO para propósitos industriales, profesionales o comerciales es de un año.
- c) Esta garantía queda nula si el producto se ha usado para propósitos de alquiler.
- d) Esta garantía no cubre daños producto de modificaciones, alteraciones o reparaciones no autorizadas.
- e) Esta garantía solo cubre defectos en condiciones de uso normales y no cubre fallas, mal funcionamiento o defectos del producto por uso indebido, abuso (incluida la sobrecarga del producto por encima de su capacidad y la exposición de forma directa al agua o lluvia), accidentes, negligencia o falta de instalación correcta, y almacenaje o mantenimiento inadecuados.

- f) Esta garantía no cubre el deterioro normal del acabado exterior, incluidos, entre otros, rayones, abolladuras, trozos de pintura o cualquier corrosión o decoloración producida por el calor, limpiadores químicos y abrasivos.

CÓMO OBTENER EL SERVICIO

Para obtener el servicio de garantía, póngase en contacto con Servicio al Cliente de EGO de manera gratuita al **1-855-EGO-5656**. Cuando solicite el servicio de garantía, debe presentar el recibo de compra original con fecha. Se seleccionará un centro de servicio autorizado para reparar el producto de acuerdo con los términos de la garantía estipulados.

LIMITACIONES ADICIONALES

En la medida en que lo permita la ley aplicable, se rechazan todas las garantías implícitas, incluidas las garantías de comerciabilidad o idoneidad para un FIN en particular. Cualquier garantía implícita, incluidas las garantías de comerciabilidad o idoneidad para cualquier fin en particular, que no pueda ser rechazada según la ley estatal está limitada a cinco años desde la fecha de compra para el equipo electromecánico para exteriores y tres años desde la fecha de compra para el cargador y las baterías.

Chervon North America no se hará responsable por daños directos, indirectos, accidentales o resultantes.

Algunos estados no permiten limitaciones con respecto a la duración de una garantía implícita y/o no permiten la exclusión o limitación de daños accidentales o resultantes, de modo que las limitaciones antes descritas podrían no aplicarse en su caso.

Esta garantía le otorga derechos legales específicos, pero podría tener también otros derechos que varían según el estado.

Para obtener el servicio al cliente, póngase en contacto con nosotros de manera gratuita al: **1-855-EGO-5656** o visite: **EGOPOWERPLUS.COM**

EGO Customer Service, 120 Ionia Street SW / Suite 102 Grand Rapids, MI 49503

