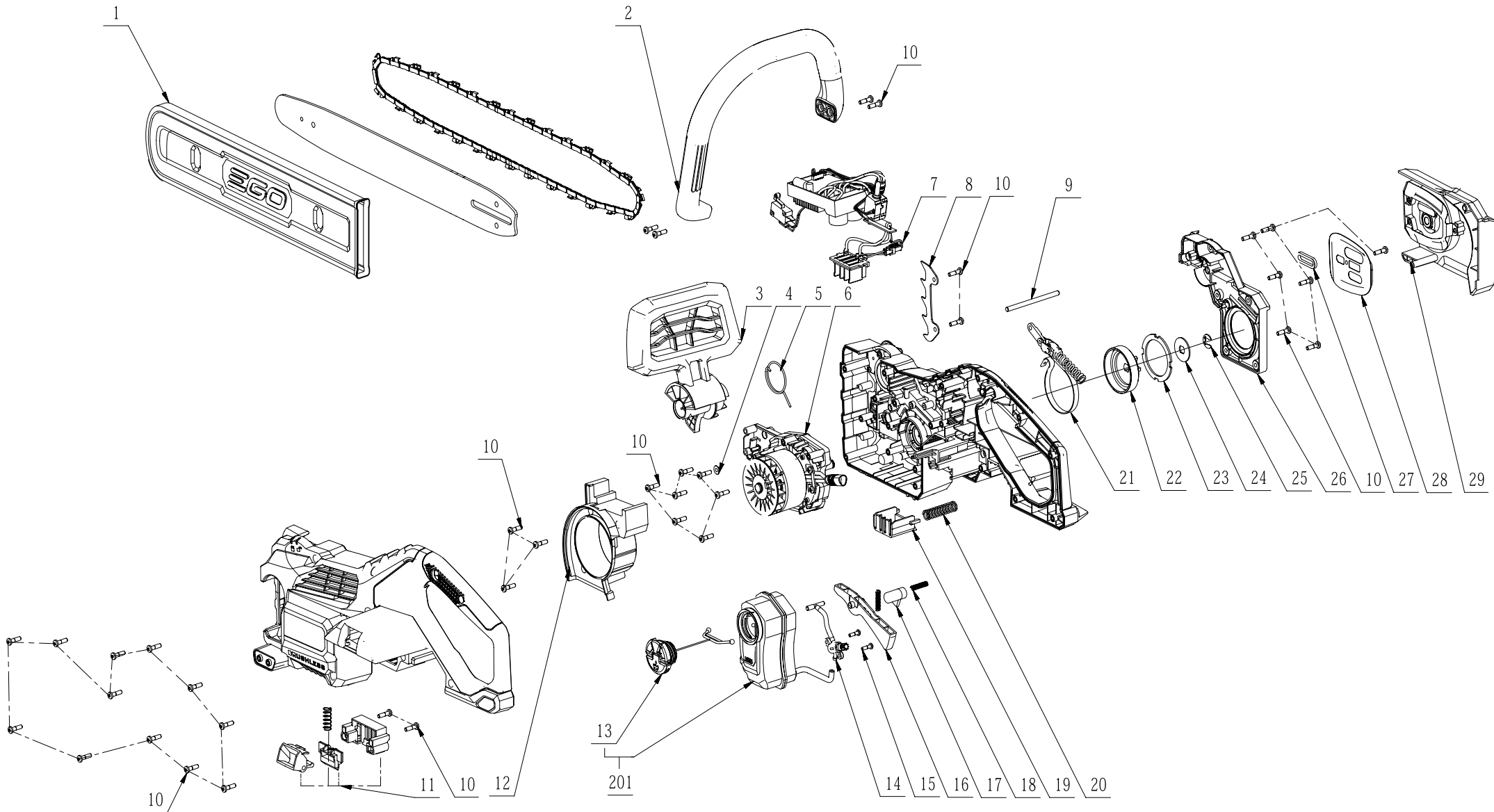




Product Description: Chain Saw  
Model Number: CS1610  
Body Number: 0640022001\_S  
Version: A  
Issue Date: 2021/08/20



Service Part List\_CS1610\_Version A

No.	Product Model#	Part Number	Description	Qty
1	CS1610	3128201001	Sheath	1
2	CS1610	3127504002	Front Handle	1
3	CS1610	2828610002	Brake Handle Assembly	1
4	CS1610	3700182001	Washer B	1
5	CS1610	3660755001	Torsion Spring	1
6	CS1610	2828589002	Motor Unit	1
7	CS1610	2831075002	Electric Assembly	1
8	CS1610	3707012001	Wood Teeth	1
9	CS1610	5670526001	Parallel Pin	1
10	CS1610	5620479001	Screw	37
11	CS1610	2826940001	Button Unit	1
12	CS1610	3130231001	Fan Baffle	1
13	CS1610	2828587001	Kettle Cover Assembly	1
14	CS1610	2828601002	Pump Assembly	1
15	CS1610	5610305001	Tapping Screw	2
16	CS1610	3130334001	Switch Trigger	1
17	CS1610	3130335001	Lock off Button	1
18	CS1610	3660427002	Spring	2
19	CS1610	3131427001	Sliding Block	1
20	CS1610	3660979001	Compression Spring	1
21	CS1610	2826922001	Brake Assembly	1
22	CS1610	3422529001	Sprocket	1
23	CS1610	5690440001	Felt Ring	1
24	CS1610	5660208002	Gasket	1
25	CS1610	5660242001	"E" Ring	1
26	CS1610	3132734001	Brake Cover Plate	1
27	CS1610	3130337001	Rubber Gasket	1
28	CS1610	3706992001	Protecting Cover	1
29	CS1610	2828582002	Cover Assembly	1
201	CS1610	2828586002	Kettle Assembly	1