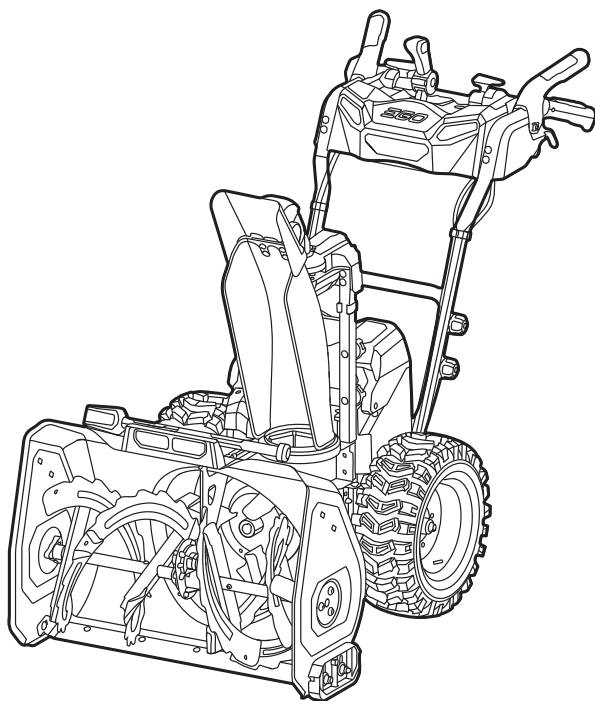


# EGO™

POWER<sup>+</sup> SNOW BLOWER



OPERATOR'S MANUAL

## 56-VOLT LITHIUM-ION CORDLESS SNOW BLOWER

MODEL NUMBER SNT2800/SNT2800-FC

Français p. 43

Español p. 91

**⚠ WARNING:** To reduce the risk of injury, the user must read and understand the Operator's Manual before using this product. Save these instructions for future reference.



# TABLE OF CONTENTS

Safety Symbols .....	4
Safety Instructions.....	5-6
Safe Operation Practices for Walk-behind Snow Blower.....	6-10
Introduction .....	11
Specifications .....	11
Accessories .....	12
Description .....	13-15
Assembly .....	16-18
Operation .....	19-32
Maintenance .....	33-37
Troubleshooting.....	38-39
EGO Limited Warranty .....	40-41

# READ ALL INSTRUCTIONS!



**READ & UNDERSTAND  
OPERATOR'S MANUAL**

**⚠ WARNING:** Some dust created by power sanding, sawing, grinding, drilling and other construction activities contains chemicals known to the state of California to cause cancer, birth defects or other reproductive harm. Some examples of these chemicals are:

- Lead from lead-based paints
- Crystalline silica from bricks and cement and other masonry products, and
- Arsenic and chromium from chemically-treated lumber.

Your risk from these exposures varies, depending on how often you do this type of work. To reduce your exposure to these chemicals: work in a well ventilated area, and work with approved safety equipment, such as those dust masks that are specially designed to filter out microscopic particles.

## SAFETY SYMBOLS

The purpose of safety symbols is to attract your attention to possible dangers. The safety symbols and the explanations with them deserve your careful attention and understanding. The symbol warnings do not, by themselves, eliminate any danger. The instructions and warnings they give are no substitutes for proper accident prevention measures.

**⚠ WARNING:** Be sure to read and understand all safety instructions in this Operator's Manual, including all safety alert symbols such as "**DANGER**," "**WARNING**," and "**CAUTION**" before using this tool. Failure to follow all instructions listed below may result in electric shock, fire, and/or serious personal injury.

### SYMBOL MEANING

**⚠ SAFETY ALERT SYMBOL:** Indicates **DANGER**, **WARNING**, or **CAUTION**. May be used in conjunction with other symbols or pictographs.




**⚠ WARNING:** The operation of any power tools can result in foreign objects being thrown into your eyes, which can result in severe eye damage. Before beginning power tool operation, always wear safety goggles or safety glasses with side shields and a full face shield when needed. We recommend a Wide Vision Safety Mask for use over eyeglasses or standard safety glasses with side shields. Always use eye protection which is marked to comply with ANSI Z87.1.



# SAFETY INSTRUCTIONS

This page depicts and describes safety symbols that may appear on this product. Read, understand, and follow all instructions on the machine before attempting to assemble and operate.

	Safety Alert	Indicates a potential personal injury hazard.
	Eye Protection	Always wear safety goggles or safety glasses with side shields and a full face shield when operating this product.
	Read & Understand Operator's Manual	To reduce the risk of injury, user must read and understand operator's manual before using this product.
	<b>DANGER</b> — Keep Hands Away from the Impeller	Do not use hands to unclog the chute.
	Keep Feet out of Impeller	Keep feet away from rotating impeller
	<b>DANGER</b> — Keep Hands and Feet Away	To reduce the risk of injury, keep hands and feet away from rotating parts. Do not operate unless discharge chute is in its proper place. If damaged, replace immediately.
	Recycle Symbols	This product uses Lithium-ion (Li-ion) batteries. Local, state, or federal laws may prohibit disposal of batteries in ordinary trash. Consult your local waste authority for information regarding available recycling and/or disposal options.
IPX4	Ingress Protection (IP) Rating	Classifies the degree of protection provided by an enclosure, for electrical equipment.
V	Volt	Voltage

	Direct Current	Type or a characteristic of current
mm	Millimeter	Length or size
in.	Inch	Length or size
m	Meter	Length or size
ft	Feet	Length or size
kg	Kilogram	Weight
lbs	Pounds	Weight
PSI	Pounds per square inch	Intensity of pressure
kPa	Kilopascal	Intensity of pressure
°F	Degrees Fahrenheit	Temperature
°C	Degrees Celsius	Temperature

**⚠ WARNING:** To ensure safety and reliability, all repairs should be performed by a qualified service technician.

## SAFE OPERATION PRACTICES FOR WALK-BEHIND SNOW BLOWER

**⚠ WARNING:** This snow blower is capable of amputating hands and feet and throwing objects. Failure to observe the following safety instructions could result in serious injury.

### FOR ALL SNOW BLOWERS

- Do not use on graveled surface unless the snow blower is adjusted for such a surface in accordance with the operator's manual.
- Keep Children Away – All visitors should be kept a safe distance from work area.
- Dress Properly – Do not wear loose clothing or jewelry. They can be caught in moving parts.
- Wear rubber boots when operating the snow blower.
- Keep hands away from moving parts.
- Keep guards in place and in working order.

- Don't Force Snow Blower – It will perform better and safer at the rate for which it was designed.
- Don't Overreach – Keep proper footing and balance at all times.
- If the snow blower strikes a foreign object follow these steps:
  - 1) Stop snow blower. Release the switch.
  - 2) Remove the battery pack(s).
  - 3) Inspect for damage.
  - 4) Repair any damage before restarting and operating the snow blower.
- Store Idle Snow Blowers Indoors - When not in use, snow blowers should be stored indoors in dry, locked-up place – out of reach of children.
- Maintain Snow Blowers with Care – Following instructions for lubricating and changing accessories.

## TRAINING

- Read, understand and follow all instructions on the machine and in the manual(s) before operating this unit. Be thoroughly familiar with the controls and the proper use of the equipment. Know how to stop the unit and disengage the controls quickly.
- Never allow children to operate the equipment. Never allow adults to operate the equipment without proper instruction.
- Keep the area of operation clear of all persons, particularly small children.
- Exercise caution to avoid slipping or falling, especially when operating the snow blower in reverse.

## PREPARATION

- Thoroughly inspect the area where the equipment is to be used and remove all doormats, sleds, boards, wires, and other foreign objects.
- Do not operate the snow blower without wearing adequate winter garments. Avoid loose-fitting clothing that can get caught in mowing parts. Wear footwear that will improve footing on slippery surfaces.
- Never attempt to make any adjustments while the motor is running (except when specifically recommended by manufacturer).
- Always wear safety glasses or eye shields during operation or while performing an adjustment or repair to protect eyes from foreign objects that may be thrown from the snow blower.

## OPERATION

- Prevent unintentional starting. Ensure the switch is in the off-position before connecting to battery pack, picking up or carrying the snow blower. Carrying the snow blower with your finger on the switch or energizing snow blower that has the switch on invites accidents.
- Do not put hands or feet near or under rotating parts. Keep clear of the discharger opening at all times.
- Exercise extreme caution when operating on or crossing gravel drives, walks, or roads. Stay alert for hidden hazards or traffic.
- After striking a foreign object, stop the motor, remove the battery pack(s), thoroughly inspect the snow blower for any damage, and repair the damage before restarting and operating the snow blower.
- If the snow blower should start to vibrate abnormally, stop the motor and check immediately for the cause. Vibration is generally a warning of trouble.
- Stop the motor whenever you leave the operating position, before unclogging the auger assembly housing or discharge chute, and when making any repairs, adjustments or inspections.
- When clearing, repairing, or inspecting the snow blower, stop the motor and make certain the auger assembly and all moving parts have stopped. Remove the battery pack(s) to prevent someone from accidentally starting the motor.
- Exercise extreme caution when operating on slopes.
- Never operate the snow blower without proper guards and other safety protective devices in place and working.
- Never direct the discharge toward people or areas where property damage can occur. Keep children and others away.
- Do not overload the snow blower capacity by attempting to clear snow at too fast a rate.
- Disengage power to the auger assembly when snow blower is transported or not in use.
- Use only attachments and accessories approved by the manufacturer of the snow blower.
- Never operate the snow blower without good visibility or light. Always be sure of your footing, and keep a firm hold on the handles. Walk; never run.
- Do not expose a battery pack or snow blower to fire or excessive temperature. Exposure to fire or temperature above 265°F (130°C) may cause explosion.

- Disconnect the battery pack from the appliance before making any adjustments, changing accessories, or storing appliance. Such preventive safety measures reduce the risk of starting the appliance accidentally.
- Recharge only with the charger specified by the manufacturer. A charger that is suitable for one type of battery pack may create a risk of fire when used with another battery pack.
- Use the snow blower only with specifically designated battery packs. Use of any other battery packs may create a risk of injury and fire.
- When battery pack is not in use, keep it away from other metal objects, like paper clips, coins, keys, nails, screws or other small metal objects, that can make a connection from one terminal to another. Shorting the battery terminals together may cause burns or a fire.
- Under abusive conditions, liquid may be ejected from the battery; avoid contact. If contact accidentally occurs, flush with water. If liquid contacts eyes, additionally seek medical help. Liquid ejected from the battery may cause irritation or burns.
- Do not use a battery pack or appliance that is damaged or modified. Damaged or modified batteries may exhibit unpredictable behavior resulting in fire, explosion or risk of injury.
- Follow all charging instructions and do not charge the battery pack or appliance outside of the temperature range specified in the instructions. Charging improperly or at temperatures outside of the specified range may damage the battery and increase the risk of fire.
- Have servicing performed by a qualified repair person using only identical replacement parts. This will ensure that the safety of the product is maintained.
- Do not modify or attempt to repair the snow blower or the battery pack (as applicable) except as indicated in the instructions for use and care.
- **Use only with the battery packs and chargers listed below:**

BATTERY PACK	CHARGER
BA1400, BA1400-FC, BA2800, BA2800-FC, BA4200, BA4200-FC, BA1400T, BA1400T-FC, BA2242T, BA2242T-FC, BA2800T, BA2800T-FC, BA4200T, BA4200T-FC, BA3360T, BA3360T-FC, BA5600T, BA5600T-FC, BA6720T, BA6720T-FC	CH2100, CH2100-FC, CH3200, CH3200-FC, CH5500, CH5500-FC, CH2800D, CH2800D-FC, CH7000, CH7000-FC

**NOTICE:** For best performance and maximum run time, it is recommended to use two 5.0Ah or higher Ah battery packs.

## CLEARING A CLOGGED DISCHARGE CHUTE

Hand contact with the rotating auger assembly inside the discharge chute is the most common cause of injury associated with snow blowers. Never use your hand to clean out the discharge chute.

To clear the chute:

- **SHUT THE MOTORS OFF!**
- Remove the battery pack(s) from the snow blower.
- Wait 10 seconds to be sure the auger assembly have stopping rotating.
- Always use a clean-out tool, not your hands. Always use the chute cleaning tool which is attached to the machine as an accessory, do not use your hand.

## MAINTENANCE AND STORAGE

- Check all bolts or fasteners at frequent intervals for proper tightness to be sure the equipment is in safe working condition.
- Always refer to operator's manual for important details if the snow blower is to be stored for an extended period of time.
- Maintain or replace safety and instruction labels, as necessary.
- Run the snow blower a few minutes after blowing snow to prevent freeze-up of the auger assembly.

**SAVE THESE INSTRUCTIONS.** Refer to them frequently and use them to instruct others who may use this snow blower. If you lend this snow blower to someone else, also lend these instructions to them to prevent misuse of the product and possibly injury.

## INTRODUCTION


Congratulations on your selection of a new generation of 56V Lithium-Ion powered snow blower. It has been designed, engineered and manufactured to give you the best possible dependability and performance.

Should you experience any problem you cannot easily remedy, please contact EGO customer service center 1-855-EGO-5656.

This manual contains important information on the safe assembly, operation and maintenance of your snow blower. Read it carefully before using the tool. Keep this manual handy so you can refer to it at any time.

SERIAL NUMBER \_\_\_\_\_ DATE OF PURCHASE \_\_\_\_\_  
YOU SHOULD RECORD BOTH SERIAL NUMBER AND DATE OF PURCHASE AND KEEP IN A SAFE PLACE FOR FUTURE REFERENCE.

## SPECIFICATIONS

Voltage	56V 
Clearing Width	28 in (710 mm)
Intake Height	21 in (530 mm)
Throwing Distance	Up to 60 ft (18.3 m)
Ingress Protection Rating	IPX4* (Protection from splashing water)
Wheel Size	16 in (406 mm)
Cold Tire Pressure	16 PSI (96.5 kPa)
Recommended Operating Temperature	-4°F – 50°F (-20°C – 10°C)
Recommended Storage Temperature	-4°F – 158°F (-20°C – 70°C)
Weight (without battery pack)	181 lb (82 kg)

\* **NOTE:** IPX4 rating is valid when the battery compartment is properly closed.

## ACCESSORIES

**⚠ WARNING:** The following parts are subject to be worn out from normal use. Use only identical replacement parts listed below. Use of parts that do not meet the original equipment specifications may lead to improper performance and compromised safety.

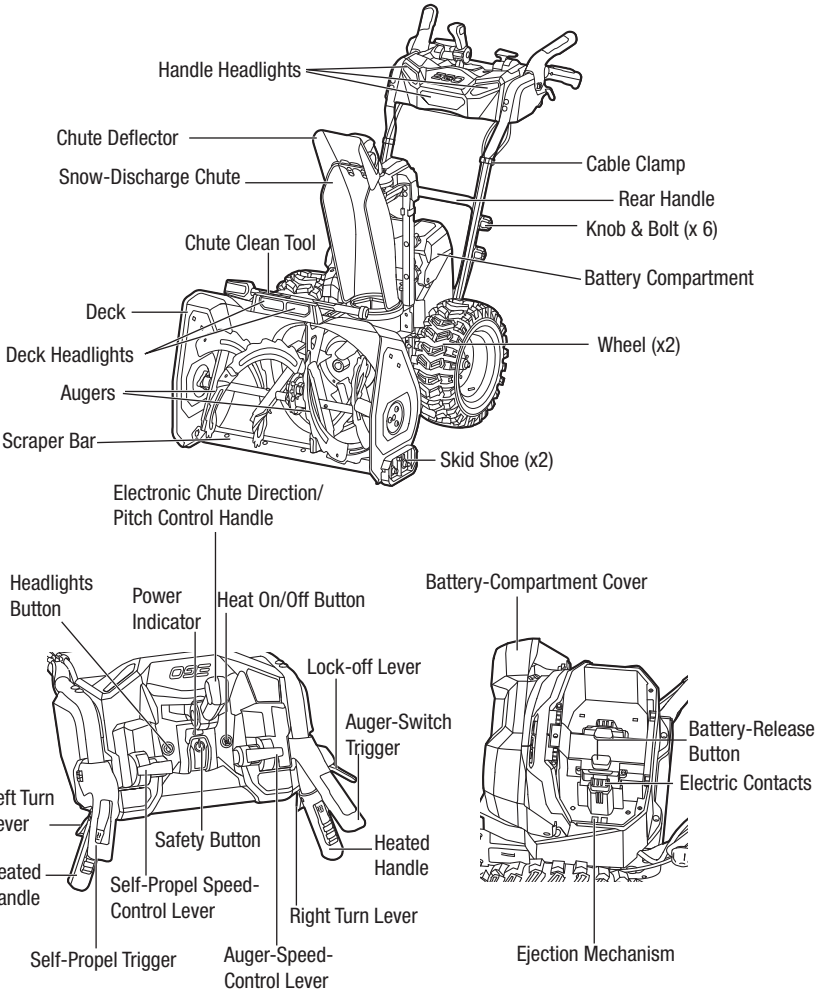
PART NAME	MODEL NUMBER
Shear Pin	ASP2400
Shear Pin Set	ASP2400D
Scraper Bar	ASS2800
Skid Shoes (pair) (metal side + plastic side)	AKS2800D
Skid Shoes (pair) (plastic sides)	AKS2400D
Chute Cleaning Tool	ACT2400
Drift Cutter (pair)	ADC2400



# DESCRIPTION

## KNOW YOUR SNOW BLOWER (Fig. 1)

1



**⚠ WARNING:** The safe use of this product requires an understanding of the information on the product and in this instruction manual, as well as knowledge of the project you are attempting. Before use of this product, familiarize yourself with all operating features and safety rules.

## **Safety Button (Power Up/Down)**

The safety button must be pressed down before starting the auger rotation, self-propel, handle heating, headlights, and chute/deflector adjustment.

**NOTE:** It is not needed to press down the safety button if the power indicator shows solid green, which means the safety button has been pressed down before.

**⚠ WARNING:** The safety button is a safety device. Never attempt to bypass its operation.

## **Auger-Switch Trigger**

Turns the auger motor ON and OFF.

## **Lock-Off Lever**

Helps to prevent accidental and unauthorized activation of the auger-switch trigger. It must be depressed before the auger-switch trigger can be activated.

## **Auger-Speed-Control Lever**

Adjusts the auger speed which determines the throwing distance.

## **Self-Propel Trigger**

Turns the self-propel function ON and OFF.

## **Self-Propel-Speed-Control Lever**

Increases or decreases the self-propel speed.

## **Electronic Chute Direction/Pitch Control Handle**

- Move the handle left or right to rotate the chute to direct the discharged snow as desired. The handle allows the chute to rotate from 100° left to 100° right.
- Move the handle forward or backward to adjust the angle of the chute deflector, which determines the pitch of the discharge stream and, in part, the throwing distance.

## **Heated Handles**

The gripping area could be heated by pressing the heat on/off button, to provide warmth for the operator's hands.

## **Heat On/Off Button**

Turns the handle heating function ON and OFF.

## **Deck and Handle Headlights**

These LED lights provide bright light for increased visibility.

## **Headlights Button**

Turns the deck and handle headlights ON and OFF.

## **Power Indicator**

Indicates the status of the snow blower and battery pack.

## **Right/Left Turn Lever**

Disengages the right/left wheel from the self-propel motor to assist in making a right/left turn when the snow blower is in self-propel mode.

## **Scraper Bar**

Removes the last bit of snow from the surface you are cleaning.

## **Skid Shoe**

Increases the ability to maneuver the snow blower on the snow and adjusts the distance between snow scraper and ground. Choose metal side for rough surfaces, or non-marring side for other surfaces.

## **Battery-Release Button**

Press to release the battery quickly.

## **PEAK POWER™**

This technology combines the power of up to two EGO 56V ARC Lithium™ batteries for longer run time and efficient power draw.

## ASSEMBLY

**⚠ WARNING:** If any parts are damaged or missing, do not operate this product until the parts are replaced. Use of this product with damaged or missing parts could result in serious personal injury.

**⚠ WARNING:** Do not attempt to modify this product or create accessories not recommended for use with this blower. Any such alteration or modification is misuse and could result in a hazardous condition leading to possible serious personal injury.

**⚠ WARNING:** To prevent accidental starting that could cause serious personal injury, always remove the battery pack(s) from the tool when assembling parts.

## UNPACKING

This product requires assembly.

- Use two people to grasp the rear handle and the front part of the product at the same time to carefully lift the tool up and out of the carton. Remove any other accessories from the carton. Make sure that all items listed in the packing list are included.



**⚠ CAUTION:** Heavy object. Team lift required. At least two persons are required to be lift this snow blower out of the package.

**⚠ WARNING:** Do not use this product if any parts on the packing list are already assembled to your product when you unpack it. Parts on this list are not assembled to the product by the manufacturer and require customer installation. Use of a product that may have been improperly assembled could result in serious personal injury.

- Inspect the product carefully to make sure no breakage or damage occurred during shipping.
- Do not discard the packing material until you have carefully inspected and satisfactorily operated the product.
- If any parts are damaged or missing, please return the product to the place of purchase.

## PACKING LIST

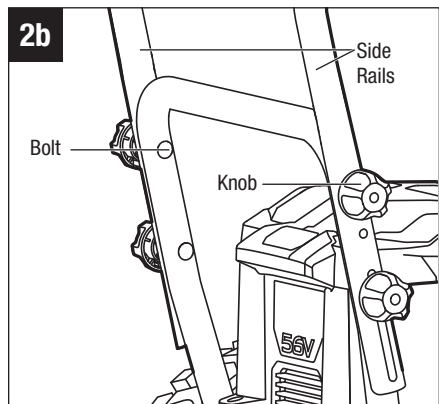
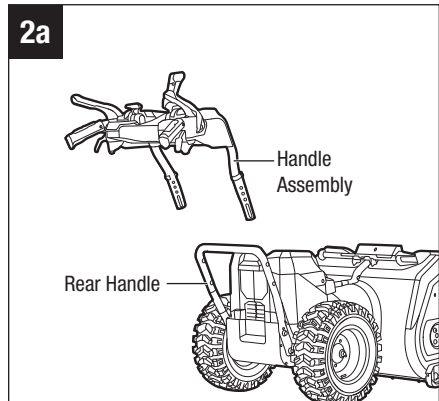
PART NAME	QUANTITY
Snow Blower	1
Handle Assembly	1
Snow-Discharge Chute Assembly	1
Knob & Bolt Set	6
Chute Cleaning Tool	1
Shear Pin	2
Operator's Manual	1

## INSTALLING THE HANDLE ASSEMBLY (Fig. 2)

**NOTICE:** The handle assembly requires assembly before operating the snow blower (Fig. 2a).

**NOTICE:** Check and make sure the wire cables are not twisted before installing the handle assembly. Otherwise, the wire cables may be damaged due to overstretching.

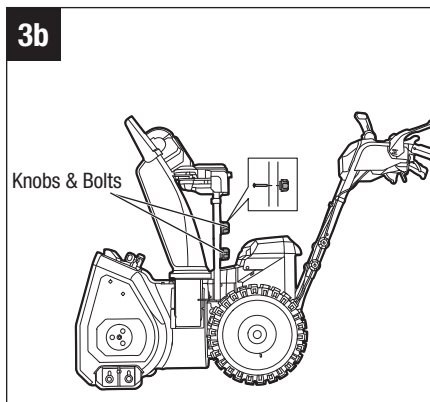
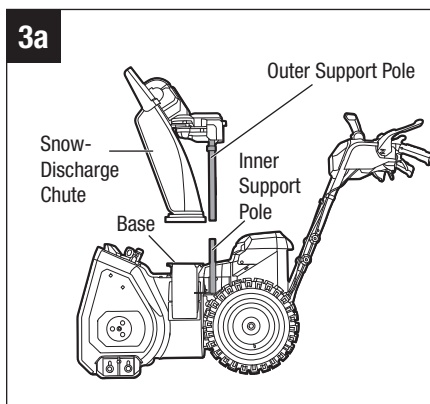
Lift the handle assembly, align the holes in the side rails with the holes in the rear handle, select the preferred handle height, then secure the handle assembly with 4 bolts and knobs (Fig. 2b). Please see section “**HANDLE HEIGHT ADJUSTMENT**” for detailed adjustment instructions.



## INSTALLING THE SNOW-DISCHARGE CHUTE ASSEMBLY (Fig. 3)

**⚠ WARNING:** Never operate the snow blower without the complete snow-discharge chute in place.

1. Lift the snow-discharge chute assembly and align the outer support pole with the inner support pole (Fig. 3a).
2. Slide the outer support pole down until the snow-discharge chute is fully seated on the base.
3. Secure the snow-discharge chute assembly with two knobs and bolts (Fig. 3b).



# OPERATION

**⚠ WARNING:** Do not allow familiarity with this product to make you careless. Remember that a careless fraction of a second is sufficient to inflict serious injury.

**⚠ WARNING:** Always wear eye protection with side shields marked to comply with ANSI Z87.1. Failure to do so could result in objects being thrown into your eyes and other possibly serious injuries.

**⚠ WARNING:** Do not use any attachments or accessories not recommended by the manufacturer of this product. The use of attachments or accessories not recommended can result in serious personal injury.

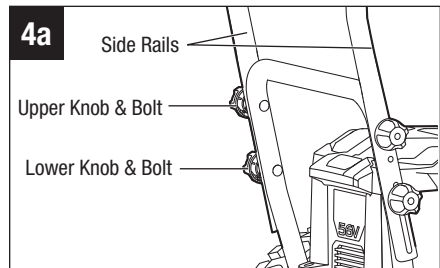
## APPLICATION

You may use this product for the purposes listed below:

- Removing snow from areas such as driveways and sidewalks.

## HANDLE-HEIGHT ADJUSTMENT (Fig. 4)

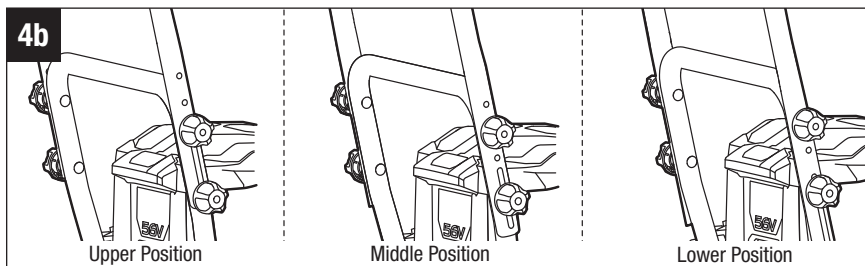
**⚠ WARNING:** To prevent accidental starting that could cause serious personal injury, always remove the battery pack(s) from the machine when making adjustments.



The handle assembly can be set to three different heights. Choose a comfortable operating position according to your height.

1. Loosen the two upper knobs and pull out the two bolts. Save them for reassembly.
2. Loosen the two lower knobs but do not remove them from the side rails during handle height adjustment.
3. Raise or lower the handle and select the appropriate height determined by one of the 3 hole sets in the side rails (Fig. 4a).
4. Once arriving at the appropriate set of holes, insert the upper bolts and tighten the upper knobs.

5. Tighten the two lower locking knobs to secure the side rails to the rear handle (Fig. 4b).



## ATTACHING/DETACHING BATTERY PACK (Fig. 5)

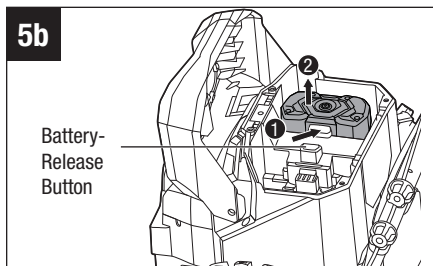
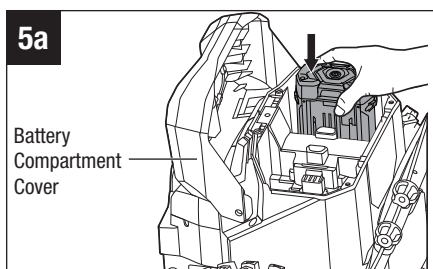
**Charge the battery pack(s) before first use!**

**NOTE:** The snow blower can be powered by one or two battery packs. Using two battery packs gives you a longer run time and efficient power draw managed by PEAK POWER™ technology. For best performance, we recommend use of two 5.0Ah or greater Ah battery packs.

When not in use, 56V battery packs should be stored in an enclosed area where the temperature will not drop below -4°F (-20°C). Optimal charging temperature is between 41°F (5°C) and 104°F (40°C).

**⚠ WARNING:** If any parts are broken or missing, do not attempt to attach the battery packs to the snow blower or operate the snow blower until the broken or missing parts are replaced. Failure to do so could result in serious injury.

1. The battery compartment cover is hinged. Raise the cover by lifting the front of the cover.
2. The snow blower features dual battery compartment, which allows the use of two battery packs at the same time.





3. Align the grooves in the battery pack with the raised ribs in one of the battery compartments, and then insert the battery pack into the compartment (Fig. 5a).
4. Push the battery pack until you hear a “click”. The battery-release button will spring up when the battery pack is securely attached.

**NOTICE:** Make sure that the latch in the battery compartment(s) snaps into place and that the battery pack(s) are secured to the unit before starting operation.

5. Attach the other battery pack into the other battery compartment in the same way.
6. **To detach the battery pack**, depress the battery-release button to release the battery pack, and then lift it out of the compartment (Fig. 5b).
7. Close the battery compartment cover.

## STARTING/STOPPING THE SNOW BLOWER

**⚠ WARNING:** Do not attempt to override the operation of the safety button.

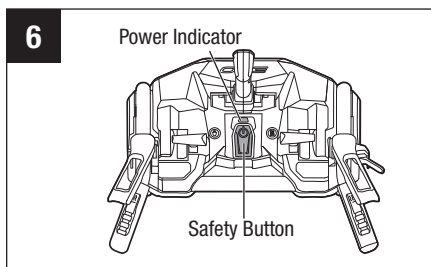
**⚠ WARNING:** The operation of a snow blower can result in foreign objects being thrown into your or others’ eyes, which can damage eyes severely. Always wear safety glasses while operating the snow blower or while performing any adjustments or repairs on the snow blower.

**⚠ WARNING:** Ensure that other people and pets remain at least 100 ft (30 m) away from the snow blower when it is in use.

**⚠ WARNING:** The auger will continue to rotate for a few seconds after the snow blower is turned off. Allow the auger to stop rotating before starting it again.

### To Power Up the Snow Blower (Fig. 6)

1. Ensure that the handle assembly is securely adjusted to appropriate height, the side-discharge chute assembly is mounted properly.
2. Attach the battery pack(s) to the snow blower and close the battery cover. Refer to chapter "**ATTACHING/ DETACHING BATTERY PACK**".



3. Press the safety button and the power indicator will light solid green, which means the snow blower is ready for the electronic functions that include **auger rotation, self-propel, handle-heating, headlights, and chute/deflector adjustment**. See detail instructions as below.

**NOTE:** The snow blower is started by FIRST depressing the safety button, followed by activation of one of the electronic functions. The reverse order will fail to activate any of these functions.

**NOTE:** The snow blower may not properly start if its battery temperature is  $-4^{\circ}\text{F}$  ( $-20^{\circ}\text{C}$ ) or less. If unit doesn't start, remove the battery from the snow blower and allow it to warm indoors for 10 minutes or longer. Reinstall the battery and try again.

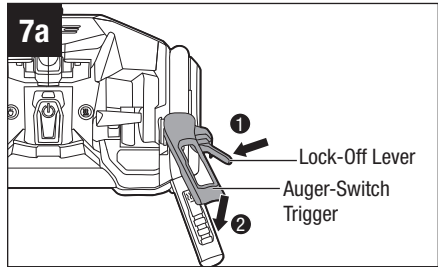
## To Power Down the Snow Blower

The snow blower could not be powered down when the auger or the self-propel function is turned on. In the case that the auger and the self-propel functions are turned off, there are two ways to power down the snow blower:

- Manually depress the safety button until the power indicator turns off, which means the snow blower has been powered down.
- Alternatively, the snow blower will power down automatically in the following situations:
  - a When there are no active electronic function, the snow blower will power down automatically after 5 minutes of inactivity.
  - b When the headlights are turned on with no other active electronic function, the headlights will turn off automatically after 5 minutes, and the snow blower will power down automatically after another 5 minutes.
  - c When the handle heating is turned on with no other active electronic function, the handle heating will turn off automatically after 10 minutes, and the snow blower will power down automatically after another 5 minutes.
  - d When both the headlights and the handle heating are turned on with no other active electronic function, the headlights will turn off automatically after 5 minutes and the handle heating will turn off automatically after another 5 minutes. Then the snow blower will power down automatically after another 5 minutes.

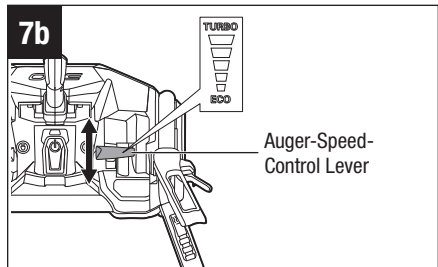
## VARIABLE AUGER-SPEED SYSTEM (FIG. 7)

1. Press the safety button and the power indicator will light up solid green.
2. **To turn on the auger**, squeeze the lock-off lever and then press the auger-switch trigger down against the handle. Then release the lock-off lever (Fig. 7a).



3. **To turn off the auger**, release the auger-switch trigger.

The speed of the auger determines the throwing distance. The speed of the auger is variable and can be adjusted using the auger-speed-control lever (Fig. 7b).



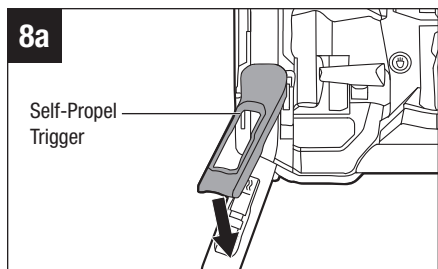
- **To increase the speed**, move the auger-speed-control lever forward (away from the user).
- **To decrease the speed**, move the auger-speed-control lever backward (towards the user).

**NOTE:** The position of the auger-speed-control determines the auger speed, so the auger speed adjustment is effective at any time.

## VARIABLE-SPEED SELF-PROPEL SYSTEM (FIG. 8)

This snow blower features a variable-speed self-propel capability. The self-propel function could be turned on with or without auger rotation.

1. Press the safety button and the power indicator will light up solid green.
2. **To turn the self-propel function on**, press the self-propel trigger down against the handle (Fig. 8a).
3. **To turn the self-propel function off**, release the self-propel trigger.



The speed and direction of the self-propel system can be adjusted using the self-propel speed-control lever (Fig. 8b).

- **To move forward**, position the self-propel speed lever in the forward area. Move the self-propel speed-control lever forward (away from the user) within the forward area to increase the speed. Or move the self-propel speed-control lever backward (towards the user) within the forward area to decrease the speed.
- **To move in reverse (back out)**, position the self-propel speed lever in the reverse area. Move the self-propel speed-control lever FORWARD (away from the user) within the reverse area to DECREASE the speed. Or move the self-propel speed-control lever BACKWARD (towards the user) within the reverse area to INCREASE the speed.

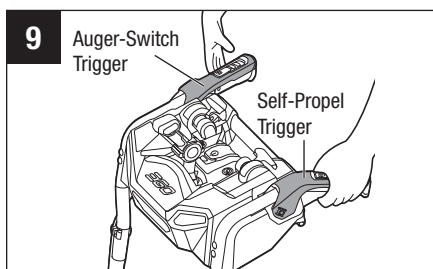
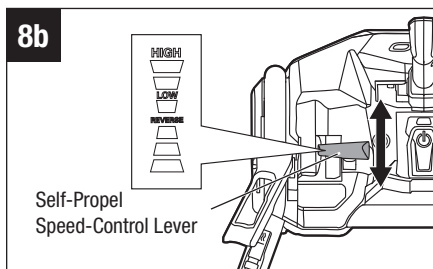
**NOTE:** You will feel a “click” that separates the forward and reverse areas of the self-propel speed-control lever.

**NOTICE:** The position of the self-propel speed-control lever determines the moving speed, so the speed adjustment is effective at any time. For your safety, it is recommended to check and adjust the self-propel speed to the slowest before turning on the self-propel function.

## AUGER-SWITCH TRIGGER AND SELF-PROPEL TRIGGER LINKAGE (FIG. 9)

When you activate the self-propel trigger and the auger-switch trigger at the same time, the auger-switch trigger will be temporarily locked. Release the auger-switch trigger (right hand) and the auger-switch trigger will remain engaged. This feature allows you to adjust the auger speed, self-propelling speed, and discharging direction of the snow while the auger rotates.

To stop the auger, release the self-propel trigger and both the auger and the self-propel function will stop.



## ELECTRONIC CHUTE DIRECTION AND DEFLECTOR ADJUSTMENT (FIG. 10)

This snow blower features an electronically adjustable chute and deflector.

The chute can be adjusted to change both the direction and the throwing distance of the discharged snow to assist you in moving snow away from one area and depositing it in another.

1. Press the safety button and the power indicator will light up solid green.

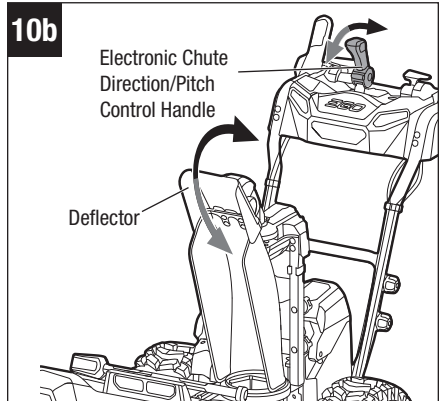
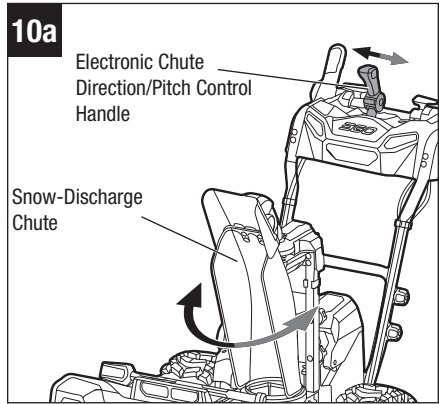
2. The **direction** of snow discharge can be adjusted up to left 100° and right 100° (Fig. 10a).

- Move the electronic chute direction/pitch control handle to the left to rotate the chute to the left.
- Move the electronic chute direction/pitch control handle to the right to rotate the chute to the right.

3. The **throwing distance** of the snow discharge is determined in part by moving the chute deflector up or down (Fig. 10b).

- To increase the distance that the snow is thrown, pull the electronic chute direction/pitch control handle backward. This will lift the deflector up.
- To decrease the distance that the snow is thrown, push the electronic chute direction/pitch control handle forward. This will lower the deflector down.

**NOTE:** When the snow blower is powered down and up again, the chute direction and the deflector angle may get out of sync with the position of electronic chute direction/pitch control handle. Operate the electronic chute direction/pitch control handle again to electronically "re-connect" the handle and the chute/deflector.



## HEATED HANDLES (FIG. 11)

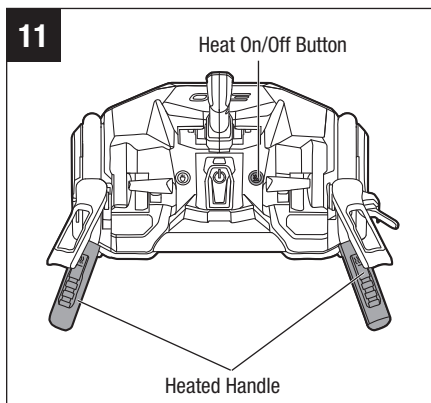
This snow blower features a heated gripping area to provide warmth for your hands.

**⚠ WARNING:** Ensure that the rubber coating is intact at the heated gripping areas before turning the handle-heating on. Unprotected skin could suffer burn injury from contact with exposed heating elements.

1. Press the safety button and the power indicator will light up solid green.
2. **To turn the handle-heating ON**, press the heat on/off button and the button itself will illuminate.
3. **To turn the handle-heating off**, press the heat on/off button again and the button light will turn off.

**NOTE:** When the heating is turned on during recommended operating temperature, the temperature of the heated handle will be maintained between 95°F (35°C) and 131°F (55°C).

**NOTE:** The heating will turn off automatically to preserve the battery charge, if there is no other active electronic function of the snow blower within 10 minutes.

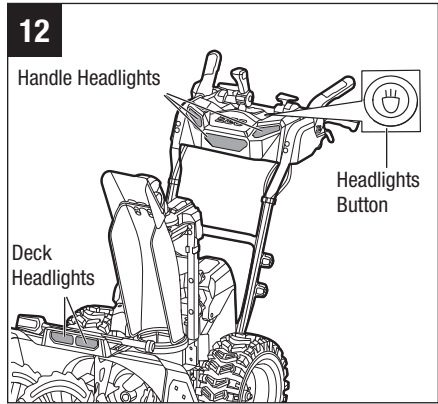


## DECK AND HANDLE HEADLIGHTS (FIG. 12)

One set of LED headlights is located on the front of the deck and another set on the front of the handle area.

1. Press the safety button and the power indicator will light up solid green.
2. Press the headlights button once to turn on both the deck and handle headlights.
3. Press the headlights button twice to turn off handle headlights.
4. Press the headlights button three times to turn off all headlights.

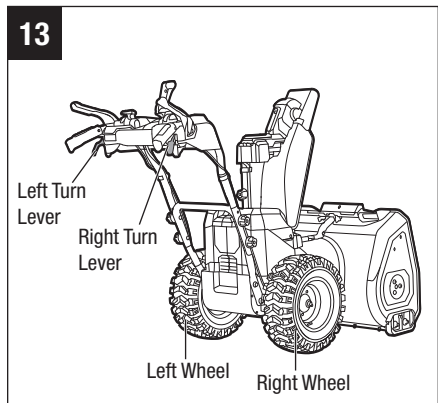
**NOTICE:** All headlights will turn off automatically if there is no other active electronic function after 5 minutes.



## MAKING A TURN (Fig. 13)

The wheels of the snow blower can be disengaged using the right or left turn lever to assist in making a right or left turn when operating the snow blower.

1. Press the safety button and the power indicator will light up solid green.
2. Press the self-propel trigger down against the handle to activate the self-propel function.
3. Squeeze the left or right turn lever to make a turn:
  - squeeze the left turn lever to disengage the left wheel from the self-propel motor and the snow blower will turn left.
  - squeeze the right turn lever to disengage the right wheel from the self-propel motor and the snow blower will turn right.
  - squeeze both levers at the same time to disengage both wheels from the self-propel motor and the snow blower will stop moving.



**⚠ WARNING:** When squeezing both levers to stop the self-propel motion, the snow blower will not stop immediately as the wheels will continue to rotate for a while due to inertia. For your safety, do not release the handles of the snow blower until the snow blower stops completely.

**NOTE:** When the snow blower is pushed forward or pulled backward manually, squeeze both levers at the same time, then the wheels will be disengaged from the self-propel motor. This will make the manual moving be easier.

## POWER INDICATOR ON THE SNOW BLOWER

The snow blower features a power indicator to communicate the charge level of the battery pack(s) and the working status of the snow blower. The power indicator will illuminate only when the snow blower is powered up.

**NOTE:** For any faults that could not be solved, contact EGO service center for repair.

POWER INDICATOR	MEANING	ACTION
Solid green	Snow blower is working properly and each battery pack has at least 15% of its charge.	No action needed.
Flashing red	The battery pack(s) charge is nearly depleted.	Stop the snow blower and charge the battery pack(s).
Solid orange	If both the auger-switch trigger and the self-propel trigger are activated or only the auger-switch trigger is activated, the auger motor is overheated.	Stop the auger rotation and wait for some time to cool the auger motor.
	If only the self-propel trigger is activated, the self-propel motor is overheated.	Stop the self-propel function and wait for some time to cool the self-propel motor.



POWER INDICATOR	MEANING	ACTION
Orange, flashing slowly	The auger motor is overloaded and augers stop rotating.	Release the auger-switch trigger. Restart the augers and slow down your pace or decrease the snow clearing cut width when working.
Orange, flashing fast	If both the auger-switch trigger and the self-propel trigger are activated or only the auger-switch trigger is activated, the augers are clogged and do not rotate.	Remove the battery pack(s). Check and clear any snow or debris that has collected beneath or is lodged in the augers.
	If only the self-propel trigger is activated, the self-propel motor is overloaded and the snow blower could not move in self-propel mode.	Remove the battery pack(s). Check and clear any snow or debris between the wheels and the machine body.
Red and green, flashing alternately	Electronics error.	Contact EGO service center for repair.
No light	If the LED indicator on one or both battery packs flashes orange or shines red, the battery pack(s) is overheated.	Allow the battery pack(s) to cool down and try powering up the snow blower again.
	Other errors: switch, light, etc.	Contact EGO service center for repair.

## AUGER MOTOR OVERLOAD PROTECTION

To prevent auger motor overload conditions, do not try to remove too much snow at a time, slow down your pace or decrease the width of the snow-clearing swath.

Your snow blower has built-in overload-sensing elements. When the auger motor is overloaded, the auger motor will decrease the auger rotation speed automatically and you will hear the volume (noise) of the motor decrease. In case of the overload, slow down your pace or narrow the clearing width, after which the auger motor speed will

resume its normal setting automatically. If this remedy does not solve the overload situation, the sensor will shut off the auger motor automatically and the power indicator will flash orange slowly/fast.

- When the power indicator flashes orange slowly, release the auger-switch trigger. Restart the augers and slow down your pace or decrease the snow clearing cut width when working.
- When the power indicator flashes orange fast, remove the battery pack(s) from the snow blower. Check to see if there is snow or ice buildup in the auger and deck. If necessary, use the chute cleaning tool to clear them out following instructions for “CLEARING A CLOGGED CHUTE”. Reinstall the battery pack(s) and restart the snow blower.

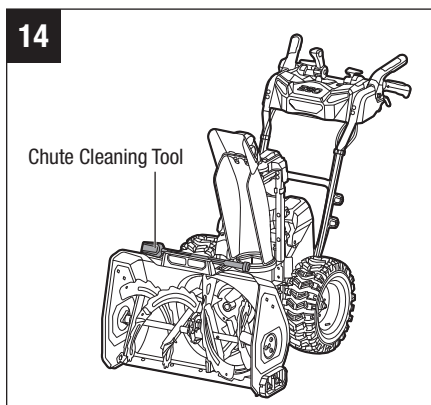
## CLEARING A CLOGGED CHUTE (Fig. 14)

**⚠ WARNING:** Hands coming in contact with the rotating auger inside the chute is the most common cause of injury associated with snow blowers. Never use your hand to clean out the chute.

**⚠ WARNING:** Never reach into the discharge chute or place any body part in front of the snow blower when the unit is operating or when the battery pack(s) are installed. Always ensure all moving parts have stopped and the battery pack(s) have been removed before clearing any obstructions. Failure to follow these instructions can result in serious personal injury.

### To clear the chute:

1. Stop the motors and power down the snow blower!
2. Remove the battery pack(s) from the snow blower.
3. Wait 10 seconds to be sure the auger has stopped rotating.
4. Always use the chute cleaning tool which is attached to the machine as an accessory; **DO NOT USE YOUR HAND.**



## BATTERY PACK HIGH-TEMPERATURE PROTECTION

If the battery pack(s) temperature exceeds 158°F (70°C) during operation, the temperature-protection circuit will immediately shut off the snow blower to protect the battery pack(s) from overheating damage. The power indicator on the snow blower will be off and the LED indicator on the battery pack will flash orange or shine red depending on the model.

**NOTE:** The LED indicator on following battery packs will flash orange lights when overheated: BA1400, BA1400-FC, BA2800, BA2800-FC, BA4200, and BA4200-FC; the LEDs on following battery packs will shine red lights when overheated: BA1400T, BA1400T-FC, BA2242T, BA2242T-FC, BA2800T, BA2800T-FC, BA3360T, BA3360T-FC, BA4200T, BA4200T-FC, BA5600T, BA5600T-FC, BA6720T, and BA6720T-FC.

Release all triggers and wait until the overheated battery pack(s) cool down and the light on the battery LED indicator turns green, then restart the snow blower.

To prevent shut off due to battery high-temperature protection, don't try to use a single battery to power the snow blower when the depth of the accumulated snow exceeds 8 inches (203 mm) or when the snow is very wet or icy. We recommend the use of two batteries working simultaneously. This is helpful in attaining the peak power of the snow blower.

After high-temperature protection has occurred, slow down your pace and narrow the width of the clearing swath to reduce the load on the battery.

## OPERATING TIPS

**⚠ DANGER:** Never use a snow blower on frozen lakes, rivers, or similar surfaces. Death or serious injury could occur if the ice breaks.

**⚠ DANGER:** Never use the snow blower on a rooftop or other unstable surface, which can result in death or serious personal injury.

**⚠ DANGER:** Do not wear loose clothing, scarves, or jewelry. They can be caught in moving parts and cause death or serious personal injury.

**⚠ WARNING:** Do not use snow blower on ice, which can cause the operator to slip and fall, resulting in possibly serious personal injury.

**⚠ WARNING:** Keep all snow discharge pointed away from all electrical devices to reduce the risk of electrocution or electric shock.

**⚠ WARNING:** Never point the snow blower or discharge chute in the direction of people or pets. Thrown snow or other objects can cause serious personal injuries.

**⚠ WARNING:** Make sure that the area to be cleared is free of stones, sticks, wires, gravel, and other objects that could be accidentally thrown by the snow blower in any direction and cause serious personal injury to the operator and others.

- If the unit comes in contact with any type of obstruction or debris during use, stop the snow blower, remove the battery pack(s), remove the obstruction, and inspect the unit carefully for damage before proceeding.

**⚠ WARNING:** Never reach into the discharge chute or place any body part in front of the snow blower when the unit is operating or when the battery pack(s) are installed. Always ensure all moving parts have stopped and the battery pack(s) have been removed before clearing any obstructions. Failure to follow these instructions can result in serious personal injury.

- Take notice of the direction of the wind before beginning. When possible, discharge snow in the same direction as the wind to prevent snow from being thrown back into your face.
- Some parts of the snow blower can freeze under extreme weather conditions. Do not attempt to operate the unit with frozen parts.
- When finished, allow the auger motor to run for an additional few minutes to prevent moving parts from freezing, move the snow blower in self-propel mode to ensure the wheels rotate freely, then operate the chute direction/pitch control handle to rotate the chute from left to right and move the deflector up and down to free it from any ice buildup. Make sure to clean off any snow and ice from the base of the chute.
- In snowy and cold conditions, some controls and moving parts may freeze. Do not use excessive force when trying to operate frozen controls. If you have difficulty operating any control or part, start the snow blower as instructed in section **"STARTING/STOPPING THE SNOW BLOWER"** and let it run for a few minutes.

# MAINTENANCE

**⚠ WARNING:** To avoid serious personal injury, always remove the battery pack(s) from the snow blower when cleaning or performing any maintenance.

**⚠ WARNING:** When servicing, use only identical replacement parts. Use of any parts may create a hazard or cause product damage. To ensure safety and reliability, all repairs should be performed by a qualified service technician.

**NOTICE:** Periodically inspect the entire product for damaged, missing, or loose parts such as screws, nuts, bolts, caps, etc. Tighten securely all fasteners and caps and do not operate this product until all missing or damaged parts are replaced.

## GENERAL MAINTENANCE

Avoid using solvents when cleaning plastic parts. Most plastics are susceptible to damage from various types of commercial solvents and may be damaged by their use. Use clean cloth to remove dirt, dust, oil, grease, etc.

**⚠ WARNING:** Do not at any time let brake fluids, gasoline, petroleum-based products, penetrating oils, etc., come in contact with plastic parts. Chemicals can damage, weaken or destroy plastic which may result in serious personal injury.

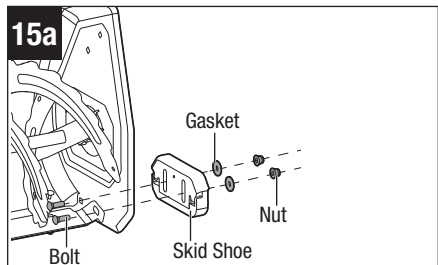
## LUBRICATING THE MACHINE

All of the bearings in this product are lubricated with an amount of high grade lubricant sufficient for the life of the unit under normal operating conditions. Therefore, no further bearing lubrication is required.

## REPLACING AND ADJUSTING THE SKID SHOES (Fig. 15)

When encountering uneven or gravel surfaces, the height of the skid shoes need to be adjusted to increase the ability of the snow blower to maneuver on the snow.

When the skid shoes are broken or the maximum height adjustment does not meet requirement, replace the skid shoes.



Required tool (not included):

- one 15 mm socket wrench

### To replace the skid shoes (Fig. 15a)

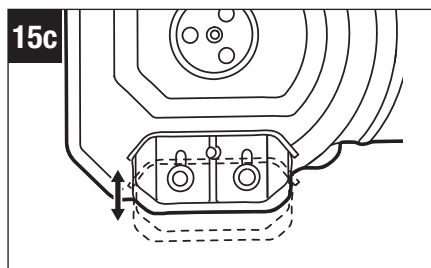
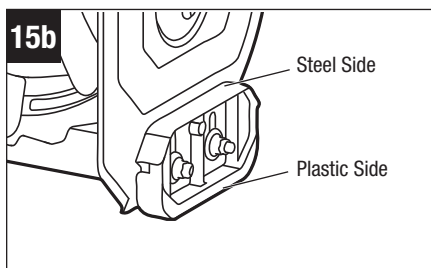
1. Remove the battery pack(s).
2. Loosen and remove the nuts, gaskets, the skid shoe, and bolts on the side of the deck.
3. Replace the skid shoe with a new one.
4. Reassemble nuts, gaskets, and bolts. Securely tighten them.

**NOTE:** The steel and plastic sides of the skid shoes could be reversed for different surfaces as needed (Fig. 15b).

### To adjust the height of skid shoes (Fig. 15c)

When encountering uneven or gravel surfaces, the height of the skid shoes need to be adjusted to increase the ability of the snow blower to maneuver on the snow.

The height of the skid shoes can be adjusted according to the actual snow conditions without removing the nuts. Just loosen the nuts, adjust the skid-shoe position, and then retighten the nuts.

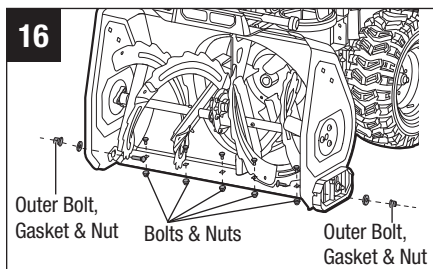


## REPLACING THE SCRAPER BAR (Fig. 16)

Required tool (not included):

- one 15 mm socket wrench
- one 8 mm open-end wrench or adjustable wrench

1. Remove the battery pack(s).
2. Lay the snow blower on its side or any other convenient position for scraper bar service.
3. Loosen and remove the outer bolt, gasket, and nut on each skid shoe.
4. Loosen and remove the five nuts on the bottom of the deck, as well as the five bolts inside.
5. Remove the scraper bar away from the deck.
6. Replace the worn scraper bar with a new one.
7. Reassemble the two outer bolts, gaskets, and nuts on the skid shoes, as well as the five bolts and nuts on the bottom of the deck. Securely tighten them.



## REPLACING THE SHEAR PIN (Fig. 17)

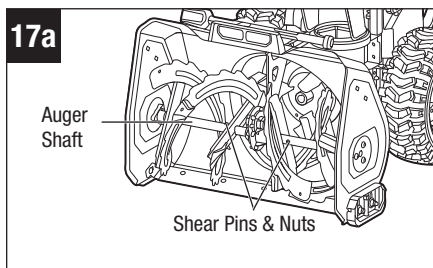
The shear pins are located in the auger shaft. They aid in absorbing the instant-stall torque when the auger strikes obstacles during work and protect the gearbox and motor from damage.

Replace the shear pins if they are broken (Fig. 17a).

Required tools (not included):

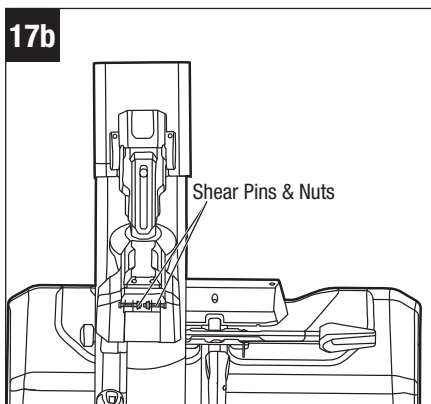
- 10 mm open-end wrench or adjustable wrench
- 4 mm hex key

1. Remove the battery pack(s).
2. Remove the shear pin and nut.



3. Reassemble the new shear pin and nut. Securely tighten them.

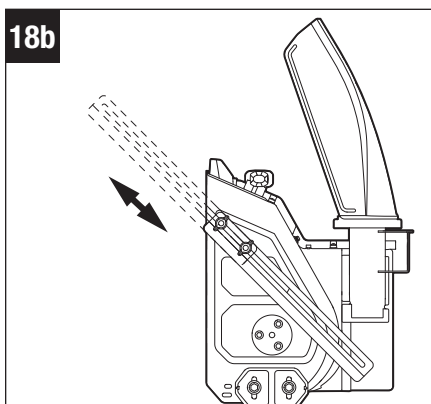
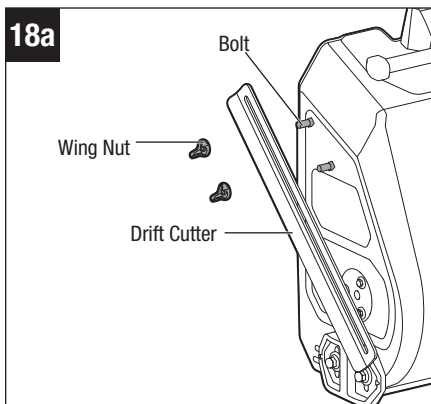
**NOTICE:** Two spare shear pins & nuts are stored on the snow-discharge chute assembly (Fig. 17b). Replace with the new one if the original one is broken.



### EGO DRIFT CUTTER MODEL ADC2400 (SOLD SEPARATELY) (Fig. 18)

When the snow height is higher than the deck, the drift cutters could scrape the snow down beneath the deck to help removing snow.

1. Remove the battery pack(s).
2. Insert the two bolts into the deck and mount the drift cutter and wing nuts onto the bolts. Pre-tighten the wing nuts and keep the drift cutter a little loose for adjustment (Fig. 18a).
3. Move the drift cutters to the desired position (Fig. 18b).
4. Tighten the wing nuts to secure the drift cutters.





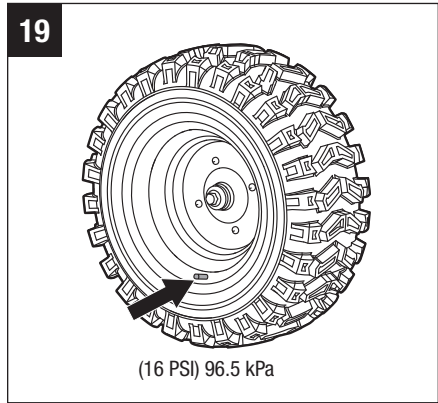
## CHECKING THE TIRE PRESSURE

It is important for level removing of the snow that all tires have the correct amount of air pressure. If the snow blower is not tracking straight, please check the air pressure of the wheels first.

Check and make sure both tires are inflated to the pressure shown in Fig. 19.

Required tools (not included):

- tire pressure gauge;
- air compressor / inflator or heavy-duty bicycle pump.



**⚠ WARNING:** Check the tire pressure carefully while inflating. Too much air in the tire could cause the tire to burst, causing serious personal injury.

**⚠ WARNING:** Maintaining correct air pressure in the tires is very important. Too little pressure could allow the tire to rotate off the wheel rim. Too much pressure could cause the tire to burst. Failure to maintain correct air pressure in the tires could cause problems with snow blower operation and stability, causing serious personal injury.

## STORING THE SNOW BLOWER

**⚠ WARNING:** Ensure that all melted snow that may drip from the snow blower is properly wiped up to prevent a slip and fall hazard.

Remove the battery pack(s) and store in a secure location out of the reach of children.

**NOTE:** When not in use, the battery pack(s) should be stored in an enclosed area where the temperature will not drop below  $-4^{\circ}\text{F}$  ( $-20^{\circ}\text{C}$ ).

Before storage, wipe any moisture, dirt, or debris from and around the battery compartment.

- Wipe the snow blower with a clean dry cloth.
- Check all nuts, bolts, knobs, screws, etc., for tightness.
- Inspect moving parts for damage, breakage, and wear. Have repairs made on any damaged or missing parts.
- Store the snow blower in a clean, dry, enclosed place out of the reach of children.
- Do not store near corrosive materials such as fertilizer or rock salt.

## TROUBLESHOOTING

**⚠ WARNING:** Always remove the battery pack(s) when servicing or transporting the snow blower. Always protect your hands by wearing gloves when performing any maintenance on the snow blower auger or scraper bar.

PROBLEM	CAUSE	SOLUTION
Snow blower fails to start.	<ul style="list-style-type: none"> <li>■ Battery pack(s) charge is low.</li> <li>■ The auger-switch trigger is not depressed after the power indicator lights up solid green.</li> <li>■ The auger is frozen by snow or ice.</li> <li>■ The battery pack is overheated. The LED indicator on the battery pack(s) flashes orange or shines red. (see the section “<b>BATTERY HIGH-TEMPERATURE PROTECTION</b>” in this manual.)</li> <li>■ Unidentified fault</li> </ul>	<ul style="list-style-type: none"> <li>■ Charge the battery pack(s).</li> <li>■ Press the auger-switch trigger after the power indicator lights up solid green. If the power indicator is off, the snow blower will not respond to the pressing of auger-switch trigger.</li> <li>■ Remove the battery pack(s) first, then use the supplied chute cleaning tool to clear the snow or ice that obstructs the auger. Restart the snow blower.</li> <li>■ Remove the overheated battery pack(s) from the snow blower and wait until the battery pack(s) cools down to approximately 152°F (67°C). Reinstall the battery pack(s) and restart the snow blower.</li> <li>■ Contact EGO service center for repair.</li> </ul>

PROBLEM	CAUSE	SOLUTION
The auger motor is on but the auger does not turn.	<ul style="list-style-type: none"> <li>■ The shear pin is broken.</li> </ul>	<ul style="list-style-type: none"> <li>■ Replace the shear pin following the section <b>“REPLACING THE SHEAR PIN”</b> in this manual.</li> </ul>
After passing, the snow blower leaves a layer of snow on the ground.	<ul style="list-style-type: none"> <li>■ The scraper bar is worn.</li> <li>■ The skid shoes are set too low to place the scraper bar too far from the ground.</li> </ul>	<ul style="list-style-type: none"> <li>■ Replace the scraper bar following the section <b>“REPLACING THE SCRAPER BAR”</b> in this manual.</li> <li>■ Adjust the height of the skid shoes following the section <b>“TO ADJUST THE HEIGHT OF SKID SHOES”</b> in this manual.</li> </ul>
The snow blower throws less snow.	<ul style="list-style-type: none"> <li>■ The augers are worn.</li> <li>■ Auger speed may be too low.</li> </ul>	<ul style="list-style-type: none"> <li>■ Contact EGO service center for repair.</li> <li>■ Increase the auger speed.</li> </ul>
The handles fail to be heated.	<ul style="list-style-type: none"> <li>■ The heating function will turn off automatically when the snow blower is inactive for 10 minutes.</li> </ul>	<ul style="list-style-type: none"> <li>■ Press the handle-heating switch to restart the heating.</li> </ul>



# EGO LIMITED WARRANTY

## WARRANTY POLICY TERMS AND DURATION

Chervon North America, Inc. (“Chervon North America”) provides the following Limited Warranty for EGO products to the original purchaser of EGO products.

The detailed warranty period for each EGO product can be found online at <http://egopowerplus.com/warranty-policy>.

**Please contact EGO Customer Service Toll-Free at 1-855-EGO-5656** any time you have questions or warranty claims or would like a hard copy of the warranty.

## LIMITED SERVICE WARRANTY

EGO products are warranted against defects in material or workmanship from the date of original retail purchase for the applicable warranty period. For any properly and timely submitted warranty claim, if Chervon North America determines a product to be defective during the warranty period, the product will receive free repair or replacement as determined by Chervon North America.

## HOW TO OBTAIN SERVICE

For warranty service, within the applicable warranty period, please contact EGO customer service toll-free at **1-855-EGO-5656**. When requesting warranty service, you must present the original dated sales receipt. An authorized service center will be selected to evaluate and repair the product if defective according to the stated warranty terms. When bringing your product to the authorized service center, there may be a small deposit that will be required when dropping off your tool. This deposit is refundable when the repair service is deemed to be covered under warranty.

## ADDITIONAL LIMITATIONS & EXCLUSIONS

This limited warranty applies only to the original purchaser from an authorized EGO retailer and is not transferable. EGO products shall not be considered defective, and this warranty will not apply, where the claimed defect is attributable to any cause other than the above-defined defects. This warranty shall be void if the product has been used for rental purposes. This warranty shall not apply to damage caused by accident, abuse, misuse, alteration, modification, unauthorized repair, liquid contact, fire, earthquake or other external cause; operating the product outside EGO’s instructions, specifications or guidelines; or failure to properly service or maintain the product. This warranty also does not apply to cosmetic damage, including but not limited to scratches or dents; defects caused by normal wear and tear or otherwise due to the normal aging of the product.

# 40

56V LITHIUM-ION CORDLESS SNOW BLOWER — SNT2800/SNT2800-FC



THIS EXPRESS WARRANTY IS GIVEN IN LIEU OF ALL OTHER WARRANTIES, EXPRESS OR IMPLIED, INCLUDING, BUT NOT LIMITED TO, ANY WARRANTIES OF MERCHANTABILITY OR FITNESS FOR PARTICULAR PURPOSE OR USE, WHICH ARE DISCLAIMED. Any implied warranties, including warranties of merchantability or fitness for a particular purpose, that cannot be disclaimed under state law are limited to the applicable warranty period defined at the beginning of this article. The sole and exclusive remedy in connection with the purchase, installation, use, and/or performance of the EGO products is repair or replacement of the product as determined by Chervon North America. Chervon North America's maximum liability shall not in any case exceed the purchase price paid for the product. CHERVON NORTH AMERICA SHALL NOT BE LIABLE TO THE USER OR TO ANYONE ELSE FOR CONSEQUENTIAL, INCIDENTAL, SPECIAL, EXEMPLARY, INDIRECT, OR PUNITIVE DAMAGES ARISING FROM USE OF THE PRODUCTS, INCLUDING BUT NOT LIMITED TO PERSONAL INJURY, DEATH, PROPERTY DAMAGE, LOST PROFITS, OR OTHER ECONOMIC INJURY. This warranty gives you specific legal rights, and you may also have other rights which vary from state to state. Some states do not allow limitations on how long an implied warranty lasts, the exclusion or limitation of incidental or consequential damages, or the limitations on time to bring certain actions, so such limitations contained herein do not apply to individual consumers in those states.

This warranty is subject to and shall be interpreted according to Michigan law without regard to principles of conflicts of laws. No legal action shall be brought against Chervon North America unless filed within one (1) year after the basis for such legal action becomes known, or with the exercise of reasonable diligence should have become known. Any action not timely filed shall be deemed waived.

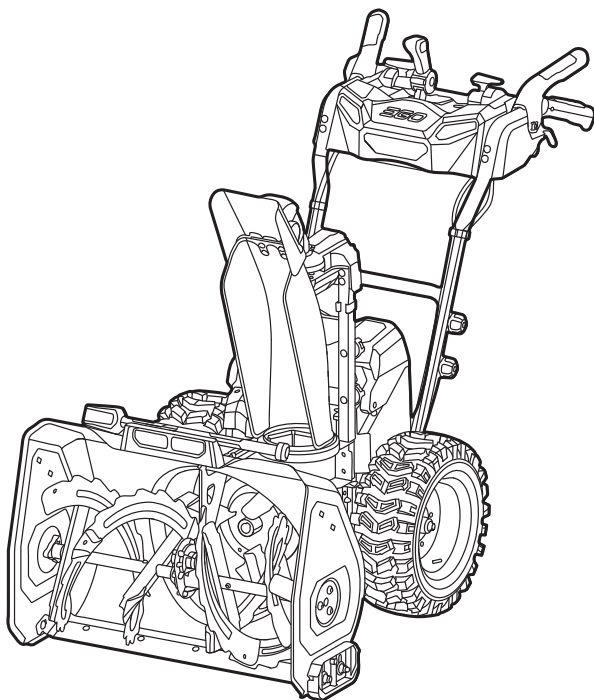
For customer service contact us toll-free at: **1-855-EGO-5656** or **EGOPOWERPLUS.COM**.

EGO Customer Service  
769 Seward Ave. NW, Suite 102  
Grand Rapids, Michigan 49504.



# EGO™

POWER<sup>+</sup> SNOW BLOWER



GUIDE D'UTILISATION

## SOUFFLEUSE À NEIGE SANS FIL À PILE AU LITHIUM-ION DE 56 VOLTS

NUMÉRO DE MODÈLE SNT2800/SNT2800-FC

**⚠ ADVERTENCIA:** Para reducir el riesgo de lesiones, el usuario debe leer y comprender el Manual del usuario antes de usar este producto. Guarde estas instrucciones para referencia futura.

## **TABLE DES MATIÈRES**

Symboles de sécurité .....	46
Consignes de sécurité .....	47-48
Pratiques d'utilisation sécuritaires de la souffeuse à neige poussée	48-53
Introduction .....	54
Spécifications .....	54
Accessoires .....	55
Description .....	56-59
Assemblage .....	60-62
Fonctionnement .....	63-79
Entretien .....	80-85
Dépannage .....	86-87
Garantie limitée D'EGO .....	88-90



## LISEZ TOUTES LES INSTRUCTIONS!



**ASSUREZ-VOUS DE LIRE ET DE  
COMPRENDRE LE GUIDE D'UTILISATION**

**⚠ AVERTISSEMENT :** Certaines poussières produites par l'utilisation d'outils de coupe électriques contiennent des produits chimiques reconnus par l'État de Californie comme causes de cancers, d'anomalies congénitales et de problèmes du système reproducteur. Voici des exemples de ces produits chimiques :

- Le plomb contenu dans la peinture au plomb;
- La silice cristallisée contenue dans les briques, le ciment et d'autres produits de maçonnerie;
- L'arsenic et le chrome contenus dans le bois d'oeuvre traité avec des produits chimiques.

Les risques liés à l'exposition à ces produits varient en fonction de la fréquence à laquelle vous effectuez ce type de travail. Pour réduire votre exposition à ces produits chimiques, travaillez dans une zone bien ventilée et portez l'équipement de sécurité approuvé, comme les masques antipoussières conçus spécialement pour ne pas laisser passer les particules microscopiques.

## SYMBOLES DE SÉCURITÉ

L'objectif des symboles de sécurité est d'attirer votre attention sur les dangers potentiels. Vous devez examiner attentivement et bien comprendre les symboles de sécurité et les explications qui les accompagnent. Les symboles d'avertissement n'éliminent pas le danger d'eux-mêmes. Les consignes et avertissements qu'ils donnent ne remplacent en aucun cas la prise de mesures préventives adéquates.

**⚠ AVERTISSEMENT** : Avant d'utiliser cet outil, veuillez à lire et à comprendre toutes les consignes de sécurité du guide d'utilisation, notamment tous les symboles d'alerte de sécurité comme « **DANGER** », « **AVERTISSEMENT** » et « **MISE EN GARDE** ». Le fait de ne pas respecter toutes les consignes ci-dessous peut occasionner un choc électrique, un incendie ou des blessures graves.

### SIGNIFICATION DES SYMBOLES

**⚠ SYMBOLE D'ALERTE DE SÉCURITÉ** : Indique un **DANGER**, un **AVERTISSEMENT** ou une **MISE EN GARDE**. Il peut être associé à d'autres symboles ou pictogrammes.



**⚠ AVERTISSEMENT** : Lors de l'utilisation de tout outil électrique, des corps étrangers peuvent être projetés dans les yeux et causer des lésions oculaires graves. Avant d'utiliser un outil électrique, veuillez à toujours porter des lunettes de protection couvrantes ou à écrans latéraux, ou un masque complet au besoin. Nous recommandons le port d'un masque de sécurité panoramique par-dessus les lunettes ou de lunettes de sécurité standard avec écrans latéraux. Portez toujours un équipement de protection des yeux conforme à la norme ANSI Z87.1.

# CONSIGNES DE SÉCURITÉ

Vous trouverez ci-dessous les symboles de sécurité qui peuvent être présents sur le produit, accompagnés de leur description. Vous devez lire, comprendre et suivre toutes les instructions présentes sur l'appareil avant de commencer à l'assembler ou à le manipuler.

	Alerte de sécurité	Indique un risque de blessures.
	Protection des yeux	Portez toujours des lunettes de protection ou des lunettes de sécurité avec écrans latéraux et un écran facial intégral lors de l'utilisation de ce produit.
	Lisez le mode d'emploi, et assurez-vous que vous le comprenez.	Afin de réduire les risques de blessure, l'utilisateur doit lire et comprendre le guide d'utilisation avant d'utiliser ce produit.
	DANGER — Gardez vos mains éloignées de la turbine	N'utilisez pas vos mains pour désobstruer la goulotte.
	Gardez vos pieds à distance de la turbine	Gardez les pieds éloignés de la turbine rotative.
	DANGER — Gardez vos mains et vos pieds éloignés	Pour réduire le risque de blessure, gardez les mains et les pieds éloignés des pièces en rotation. N'utilisez cet équipement que si la goulotte de vidage est bien à sa place.
	Symboles de recyclage	Le produit fonctionne à l'aide de piles au lithium-ion (Li-ion). La législation locale, provinciale ou fédérale peut interdire la mise au rebut des piles dans les ordures ménagères. Consultez l'organisme local de gestion des déchets au sujet.

IPX4	Indice de protection pour la pénétration (PP)	Classifie le degré de protection fourni par un boîtier pour les équipements électriques.
V	Volt	Tension
≡	Courant continu	Type ou caractéristique du courant
mm	Millimètre	Longueur ou taille
in.	Pouce	Longueur ou taille
m	Compteur	Longueur ou taille
ft	pi	Longueur ou taille
kg	Kilogramme	Poids
lbs	Livres	Poids
PSI	Livres par pouce carré	Intensité de la pression
kPa	Kilopascal	Intensité de la pression
°F	Degrés Fahrenheit	Température
°C	Degrés Celsius	Température

**⚠ AVERTISSEMENT :** Pour des raisons de sécurité et de fiabilité, toutes les réparations doivent être effectuées par un technicien/réparateur compétent.

## PRATIQUES D'UTILISATION SÉCURITAIRES DE LA SOUFFLEUSE À NEIGE POUSSÉE

**⚠ DANGER :** Cette souffleuse à neige peut amputer une personne des bras et des pieds, et projeter des objets. Le non-respect des consignes de sécurité suivantes peut entraîner des blessures graves.

### POUR TOUTES LES SOUFFLEUSES À NEIGE

- N'utilisez pas la souffleuse sur une surface avec des graviers sauf si elle est ajustée pour une telle surface conformément au guide d'utilisation.
- Maintenez les enfants à l'écart – tous les visiteurs doivent se tenir à une distance sécuritaire de la zone de travail.

- Portez une tenue adéquate – Ne portez pas de vêtements amples ou de bijoux risquant d’être accrochés par la souffleuse. Ils pourraient se coincer dans les pièces mobiles de la souffleuse.
- Portez des bottes en caoutchouc lorsque vous utilisez la souffleuse.
- Gardez vos mains éloignées des pièces mobiles.
- Assurez-vous que les protecteurs sont bien en place et en bon état de fonctionnement.
- Ne forcez pas la souffleuse à neige – elle fonctionnera mieux et sera plus sécuritaire au régime de fonctionnement pour lequel elle a été conçue.
- Ne vous penchez pas excessivement vers l’avant – gardez une posture sécuritaire et un bon équilibre en tout temps.
- Si la souffleuse à neige frappe un objet étranger, procédez de la manière suivante :
  - 1) Arrêtez la souffleuse à neige. Relâchez l’interrupteur.
  - 2) Retirez le(s) bloc(s)-piles.
  - 3) Inspectez la souffleuse pour vous assurer qu’elle n’est pas endommagée.
  - 4) Réparez tout dommage avant de remettre la souffleuse en marche et de l’utiliser à nouveau.
- Rangez la souffleuse à neige à l’intérieur. Lorsqu’elle n’est pas utilisée, la souffleuse à neige doit être rangée à l’intérieur, dans un endroit sec et fermé à clé – hors de la portée des enfants.
- Entretenez soigneusement votre souffleuse à neige – suivez toutes les instructions relatives à la lubrification et au remplacement des accessoires.

## FORMATION

- Vous devez lire, comprendre et suivre toutes les instructions indiquées sur la machine et dans le(s) mode(s) d’emploi avant de vous servir de la souffleuse. Familiarisez-vous avec les commandes et apprenez à utiliser la souffleuse de façon appropriée. Sachez comment arrêter la souffleuse et désengager rapidement les commandes.
- Ne laissez jamais des enfants utiliser la souffleuse. Ne laissez jamais des adultes utiliser la souffleuse sans leur avoir fourni au préalable les instructions appropriées.
- Assurez-vous de garder toutes les personnes, et en particulier les petits enfants, à l’extérieur de la zone d’utilisation.
- Faites preuve de prudence pour ne pas risquer de glisser ou de tomber, surtout lorsque vous utilisez la souffleuse à neige à reculons.

## PRÉPARATION

- Inspectez soigneusement la zone dans laquelle la souffleuse doit être utilisée, et retirez tous les paillasons, traîneaux, planches, fils et autres objets étrangers.
- N'utilisez pas la souffleuse à neige sans porter des vêtements d'hiver adéquats. Évitez de porter des vêtements amples qui sont susceptibles de s'accrocher dans les pièces mobiles. Portez des chaussures qui vous permettront de mieux marcher sur les surfaces glissantes.
- Ne tentez jamais de faire des ajustements pendant que le moteur tourne (sauf si le fabricant le recommande explicitement).
- Portez toujours des lunettes de sécurité ou des protections oculaires pendant l'utilisation de la machine ou lors d'un réglage ou d'une réparation afin de protéger vos yeux des corps étrangers qui peuvent être projetés par la souffleuse à neige.

## FONCTIONNEMENT

- Empêchez une mise en marche accidentelle. Assurez-vous que l'interrupteur est dans la position d'arrêt avant de le connecter au bloc-piles, ou de soulever ou de transporter la souffleuse à neige. Le fait de transporter la souffleuse à neige avec le doigt sur l'interrupteur ou de mettre sous tension une souffleuse à neige dont l'interrupteur est en position de marche invite les accidents.
- Ne mettez pas les mains ou les pieds à proximité de pièces en rotation ou sous des pièces en rotation. Veillez à ce que personne ne se trouve jamais en face des orifices de décharge.
- Faites preuve d'une extrême prudence lors de cet équipement, en particulier lors de la traversée d'une allée, d'un trottoir ou d'une route en gravier. Restez vigilant(e) en raison de dangers cachés et/ou de risques en rapport avec la circulation.
- Après avoir heurté un corps étranger, arrêtez le moteur, retirez le(s) bloc(s)-piles, inspectez minutieusement la souffleuse à neige pour détecter tout dommage et réparez les dommages avant de redémarrer et d'utiliser la souffleuse à neige.
- Si la souffleuse à neige commence à vibrer de façon anormale, arrêtez immédiatement le moteur et recherchez la cause du problème. Des vibrations sont généralement un signe avant-coureur d'un problème.
- Arrêtez le moteur chaque fois que vous quittez la position de fonctionnement, avant de déboucher le carter du système de projection à vis sans fin (tarière) ou la goulotte de décharge, et lors de toute réparation, de tout réglage ou de toute inspection.

- Lors du nettoyage, de la réparation ou de l'inspection de la souffleuse à neige, arrêtez le moteur et assurez-vous que l'ensemble du système d'entraînement par vis sans fin et toutes les pièces mobiles sont arrêtées. Retirez le(s) bloc(s)-piles pour éviter que quelqu'un ne fasse démarrer accidentellement le moteur.
- Faites preuve d'une grande prudence lorsque vous utilisez cet équipement sur une pente.
- N'utilisez jamais la souffleuse à neige sans que les dispositifs de protection ou autres systèmes de sécurité ne soient en place et fonctionnent correctement.
- Ne dirigez jamais la décharge vers des personnes se trouvent ou vers des zones où des blessures ou des dommages matériels peuvent se produire. Gardez les enfants et les autres personnes à l'écart.
- Ne surchargez pas la capacité de la souffleuse à neige en essayant de déblayer la neige à une vitesse trop rapide.
- Mettez le système d'alimentation par vis sans fin (tarière) hors tension lorsque la souffleuse à neige est transportée ou quand elle n'est pas utilisée.
- N'utilisez que des attachements et des accessoires approuvés par le fabricant de la souffleuse à neige.
- N'utilisez jamais la souffleuse à neige sans une bonne visibilité ou assez de lumière. Soyez toujours stable sur vos pieds et tenez fermement les poignées. Marchez ; ne courez jamais.
- N'exposez pas un bloc-piles ou une souffleuse à neige à un feu ou à une température excessive. L'exposition à un feu ou à une température supérieure à 130° C / 265° F pourrait causer une explosion.
- Débranchez le bloc-piles de votre équipement avant d'y apporter de quelconques modifications, de changer des accessoires ou de ranger cet équipement. De telles mesures de sécurité préventives réduisent le risque de démarrage accidentel de l'outil.
- Ne rechargez cet équipement qu'avec le chargeur indiqué par le fabricant. Un chargeur qui est approprié pour un type de bloc-piles pourrait créer un risque d'incendie quand il est utilisé avec un autre bloc-piles.
- N'utilisez la souffleuse à neige qu'avec un bloc-piles désigné spécialement à cet effet. L'emploi de tout autre bloc-piles risquerait de causer des blessures et un incendie.
- Lorsque le bloc-piles n'est pas utilisé, gardez-le à une distance suffisante des autres objets en métal, comme des trombones, pièces de monnaie, clés, clous, vis ou autres petits objets en métal qui pourraient établir une connexion entre une borne et une autre. Le court-circuitage des bornes d'une pile pourrait causer des brûlures ou un incendie.

- Dans des conditions d'utilisation abusives, du liquide pourrait être éjecté de la pile ; évitez tout contact. En cas de contact accidentel, lavez avec de l'eau. En cas de contact de liquide avec les yeux, consultez un professionnel de santé. Tout liquide éjecté d'une pile peut causer de l'irritation ou des brûlures.
- N'utilisez pas un bloc-piles ou un équipement qui est endommagé ou a été modifié. Des piles endommagées ou modifiées peuvent se comporter de façon imprévisible et causer un incendie, une explosion ou des blessures.
- Suivez toutes les instructions relatives à la charge et ne chargez pas le bloc-piles ou l'équipement en dehors de la plage de température indiquée dans les instructions. Une charge dans des conditions appropriées ou à des températures en dehors de la plage spécifiée pourrait endommager les piles et augmenter le risque d'incendie.
- Faites réparer votre produit par un réparateur compétent n'utilisant que des pièces de rechange identiques. Ceci assurera le maintien de la sécurité du produit.
- Ne modifiez pas et ne tentez pas de réparer la souffleuse à neige ou le bloc-piles (suivant le cas), sauf conformément à ce qui est indiqué dans les instructions d'entretien et d'utilisation.
- **N'utilisez la souffleuse qu'avec les blocs-piles et les chargeurs indiqués cidessous**

BLOC-PILES	CHARGEUR
BA1400, BA1400-FC, BA2800, BA2800-FC, BA4200, BA4200-FC, BA1400T, BA1400T-FC, BA2242T, BA2242T-FC, BA2800T, BA2800T-FC, BA4200T, BA4200T-FC, BA3360T, BA3360T-FC, BA5600T, BA5600T-FC, BA6720T, BA6720T-FC	CH2100, CH2100-FC, CH3200, CH3200-FC, CH5500, CH5500-FC, CH2800D, CH2800D-FC, CH7000, CH7000-FC

**AVIS :** Pour obtenir de meilleures performances et une autonomie de fonctionnement maximale, il est recommandé d'utiliser deux blocs-piles de 5,0 Ah ou plus.

## NETTOYAGE D'UNE GOULOTTE DE DÉCHARGE BOUCHÉE

Le contact des mains avec l'ensemble de vis sans fin en rotation à l'intérieur de la goulotte de décharge est la cause la plus fréquente des blessures associées aux souffleuses à neige. N'utilisez jamais votre main pour dégager la goulotte de décharge.



Pour dégager la goulotte :

- **METTEZ LES MOTEURS HORS TENSION !**
- Retirez le ou les bloc(s)-piles de la souffleuse à neige.
- Attendez 10 secondes pour vous assurer que l'ensemble de vis sans fin a cessé de tourner.
- Utilisez toujours un outil de nettoyage, pas vos mains. Utilisez toujours l'outil de nettoyage de la goulotte qui est fixé à la machine comme un accessoire ; n'utilisez pas votre main.

## **MAINTENANCE ET ENTREPOSAGE**

- Vérifiez fréquemment que toutes les fixations et tous les boulons sont bien serrés afin de vous assurer que l'équipement est dans un bon état de fonctionnement.
- Consultez toujours le mode d'emploi pour connaître les détails importants si la souffleuse à neige doit être stockée pendant une période prolongée.
- Assurez la lisibilité continue des étiquettes de sécurité et d'instructions, ou remplacez-les si besoin est.
- Continuez à faire fonctionner la souffleuse pendant quelques minutes après avoir soufflé la neige pour éviter le gel du système de projection par vis sans fin.

**CONSERVEZ CES INSTRUCTIONS.** Consultez-les fréquemment et utilisez-les pour donner les instructions nécessaires aux autres personnes qui peuvent utiliser cette souffleuse à neige. Si vous prêtez cette souffleuse à neige à quelqu'un d'autre, prêtez-lui également ces instructions pour éviter toute utilisation inappropriée du produit et tout risque de blessure.

## INTRODUCTION

Nous vous félicitons d'avoir choisi une souffleuse à neige de nouvelle génération propulsée par un bloc-pile au lithium-ion de 56 V. Il a été conçu et fabriqué afin de vous offrir la meilleure fiabilité et le meilleur rendement possible.

Si vous éprouvez un problème que vous n'arrivez pas à régler facilement, veuillez communiquer avec le centre de service à la clientèle d'EGO au 1 855 EGO-5656.


Le présent guide contient des renseignements importants pour assembler, utiliser et entretenir la souffleuse à neige en toute sécurité. Lisez-le attentivement avant d'utiliser l'outil. Conservez ce guide à portée de main afin de pouvoir le consulter à tout moment.

NUMÉRO DE SÉRIE \_\_\_\_\_ DATE D'ACHAT \_\_\_\_\_

LES NUMÉROS DE MODÈLE ET DE SÉRIE SE TROUVENT SUR UNE ÉTIQUETTE FIXÉE SUR LE LOGEMENT DE LA VIS SANS FIN.

NOUS VOUS RECOMMANDONS DE NOTER LE NUMÉRO DE SÉRIE ET LA DATE D'ACHAT ET DE LES CONSERVER EN LIEU SÛR AFIN DE POUVOIR LES CONSULTER ULTÉRIEUREMENT. CONSERVEZ VOTRE REÇU DE CAISSE.

## SPÉCIFICATIONS

Tension	56V 
Largeur de dégagement	710 mm / 28 po
Hauteur d'admission	530 mm / 21 po
Distance de projection	Jusqu'à 18,3 m / 60 pi
Indice de protection pour la pénétration	IPX4* (Protection contre les éclaboussures d'eau)
Taille de la roue	406 mm / 16 po
Pression des pneus froids	16 PSI (96,5 kPa)
Température de fonctionnement recommandée	-20° C – 10° C / -4° F – 50° F
Température de stockage recommandée	-20° C – 70° C / -4° F – 158° F
Poids (sans le bloc-piles)	82 kg / 181 lb

\* **REMARQUE** : La notation IPX4 est valable lorsque le compartiment à piles est correctement fermé.

## ACCESSOIRES

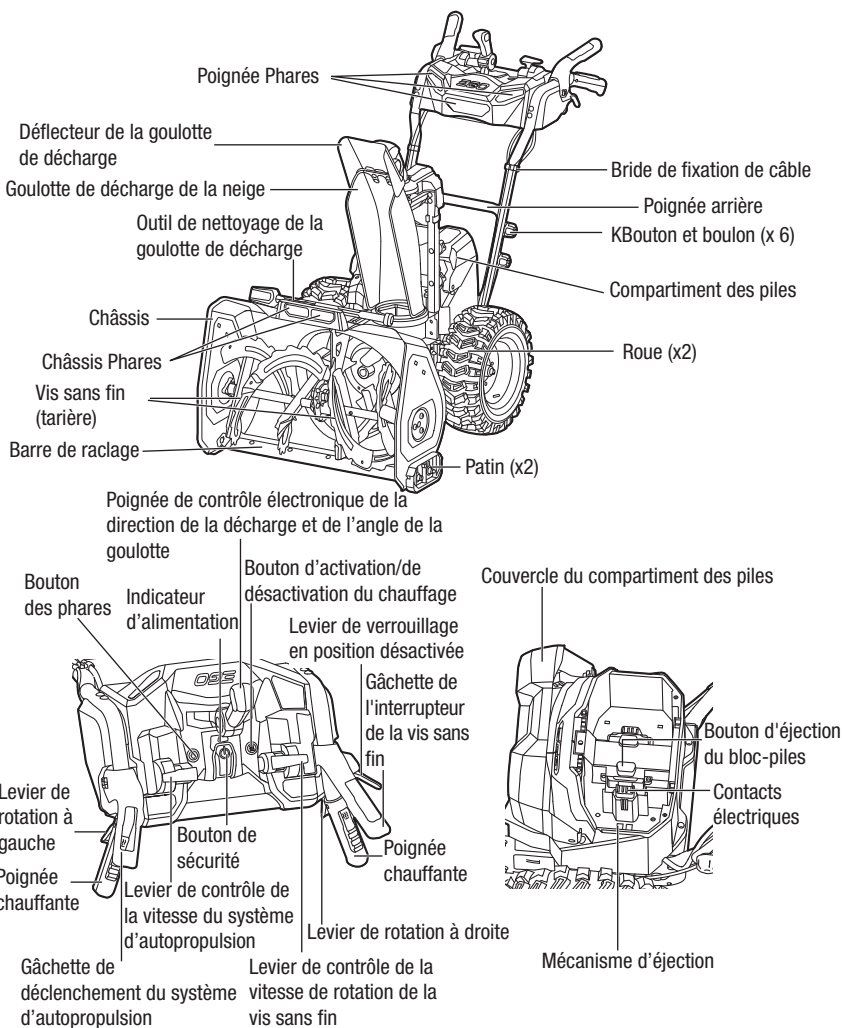
**⚠ AVERTISSEMENT :** Les pièces suivantes sont sujettes à l'usure dans des conditions d'utilisation normale. Utilisez seulement les pièces de rechange identiques énumérées ci-dessous. L'utilisation de pièces qui ne respectent pas les caractéristiques de l'équipement d'origine peut entraîner un mauvais rendement et compromettre la sécurité de la souffleuse.

NOM DE LA PIÈCE	NUMÉRO DE MODÈLE
Goupille de sécurité	ASP2400
Jeu de goupilles de sécurité	ASP2400D
Barre de raclage	ASS2800
Patins (paire) (côté métal + côté plastique)	AKS2800D
Patins (paire) (côtés plastique)	AKS2400D
Outil de nettoyage de la goulotte de décharge	ACT2400
Coupe-congère (paire)	ADC2400

## DESCRIPTION

### FAMILIARISEZ-VOUS AVEC VOTRE SOUFFLEUSE À NEIGE (Fig. 1)

1



**⚠ AVERTISSEMENT :** Pour que ce produit puisse être utilisé en toute sécurité, il est nécessaire de comprendre les informations figurant sur le produit et dans son mode d'emploi, et de bien maîtriser le projet que vous voulez réaliser. Avant d'utiliser ce produit, familiarisez-vous avec toutes ses fonctionnalités et les consignes de sécurité qui s'y appliquent.

### **Bouton de sécurité (mise sous tension/hors tension)**

Le bouton de sécurité doit être enfoncé avant de lancer la rotation de la vis sans fin, l'autopropulsion, le chauffage de la poignée, les phares et le réglage de la goulotte de décharge/du déflecteur.

**REMARQUE :** Il n'est pas nécessaire d'appuyer sur le bouton de sécurité si l'indicateur d'alimentation brille continuellement en vert, ce qui signifie que le bouton de sécurité a déjà été enfoncé.

**⚠ AVERTISSEMENT :** Le bouton de sécurité est un dispositif de sécurité. Ne tentez jamais de vous en passer.

### **Gâchette de l'interrupteur de la vis sans fin**

Met le moteur de la vis sans fin sous tension et hors tension

### **Levier de verrouillage en position désactivée**

Contribue à empêcher une activation accidentelle et non autorisée de la gâchette de l'interrupteur de la vis sans fin. Il doit être enfoncé avant que la gâchette de l'interrupteur du système de vis sans fin puisse être activée.

### **Levier de contrôle de la vitesse de rotation de la vis sans fin**

Règle la vitesse du système de vis sans fin (tarière) qui détermine la distance de projection.

### **Gâchette de déclenchement de l'autopropulsion**

Permet d'activer et de désactiver la fonction d'autopropulsion.

### **Levier de contrôle de la vitesse du système d'autopropulsion**

Augmente ou diminue la vitesse d'autopropulsion.

## **Poignée de contrôle électronique de la direction de la décharge et de l'angle de la goulotte**

- Déplacez la poignée vers la gauche ou vers la droite pour faire pivoter la goulotte afin de diriger la neige évacuée comme vous le souhaitez. La poignée permet de faire pivoter la goulotte de 100° à gauche jusqu'à 100° à droite.
- Déplacez la poignée vers l'avant ou vers l'arrière pour ajuster l'angle du déflecteur de la goulotte qui détermine l'angle du jet de décharge et, en partie, la distance de projection.

## **Poignées chauffantes**

La zone de préhension peut être chauffée en appuyant sur l'interrupteur d'activation/de désactivation du chauffage de la poignée, afin de fournir de la chaleur aux mains de l'opérateur.

## **Bouton d'activation/de désactivation du chauffage**

Permet d'activer ou de désactiver la fonction de chauffage de la poignée.

## **Phares du châssis et de poignée**

Ces lampes à DEL fournissent une lumière brillante pour une meilleure visibilité.

## **Bouton des phares**

Allume et éteint les phares du châssis et de la poignée.

## **Indicateur d'alimentation**

Indique l'état de la souffleuse à neige et du bloc-piles.

## **Levier de rotation vers la droite ou vers la gauche**

Désengage la roue de droite/gauche du moteur du système d'autopropulsion pour aider à effectuer un virage à droite ou à gauche lorsque la souffleuse à neige est en mode d'autopropulsion.

## **Barre de raclage**

Enlève la dernière couche de neige de la surface que vous êtes en train de débayer.

## **Patin**

Augmente la capacité de manœuvre de la souffleuse à neige sur la neige et ajuste la distance entre la barre de raclage et le sol. Choisissez le côté métallique pour les surfaces rugueuses, ou le côté ne laissant pas de marques pour les autres surfaces.

## **Bouton d'éjection du bloc-piles**

Appuyez sur ce bouton pour éjecter rapidement la pilie.

## **PEAK POWER™**

Cette technologie combine la puissance d'une ou deux piles EGO ARC Lithium™ de 56 V au maximum pour assurer une autonomie de fonctionnement plus longue et une consommation d'énergie efficace.

## ASSEMBLAGE

**⚠ AVERTISSEMENT :** Ne tentez pas de modifier cet article ou de créer des accessoires qui ne sont pas recommandés pour cet article. Toute modification est considérée comme un usage inapproprié et peut créer une situation dangereuse susceptible d'entraîner des blessures graves.

**⚠ AVERTISSEMENT :** Ne tentez pas de modifier ce produit ou de créer des accessoires qu'il n'est pas recommandé d'utiliser avec cette souffleuse. Une telle altération ou modification constituerait une utilisation abusive et pourrait créer une situation dangereuse avec risque de blessures graves.

**⚠ AVERTISSEMENT :** Pour prévenir toute mise en marche accidentelle qui pourrait causer des blessures graves, retirez toujours le(s) bloc(s)-piles de l'outil lorsque vous êtes en train d'assembler des pièces.

## DÉBALLAGE

Ce produit nécessite un assemblage.

- Deux personnes doivent saisir la poignée arrière et la partie avant de la souffleuse en même temps, puis elles doivent soulever la souffleuse avec précaution pour la faire sortir du carton. Retirez ensuite tous les autres accessoires du carton. Assurez-vous que tous les articles mentionnés sur le bordereau de marchandises sont inclus.



**⚠ ATTENTION :** Cet objet pèse lourd. Il faut une équipe pour le soulever. Au moins deux personnes sont nécessaires pour soulever cette souffleuse à neige et la faire sortir de son conditionnement.

**⚠ AVERTISSEMENT :** N'utilisez pas la souffleuse si de quelconques pièces mentionnées sur le bordereau de marchandises sont déjà assemblées lorsque vous procédez au déballage. Les pièces figurant sur le bordereau de marchandises n'ont pas été montées sur la souffleuse par le fabricant ; il incombe au client de les installer. L'utilisation d'une souffleuse pouvant avoir été assemblée de façon inappropriée risquerait de causer des blessures graves.

- Inspectez soigneusement l'outil pour vérifier qu'il n'a pas été endommagé pendant l'expédition.
- Ne jetez pas le matériel d'emballage avant d'avoir inspecté soigneusement la scie à chaîne et de l'avoir fait fonctionner de manière satisfaisante.
- S'il y a des pièces manquantes ou endommagées, veuillez retourner l'outil à l'endroit où vous l'avez acheté.



## LISTE DES PIÈCES

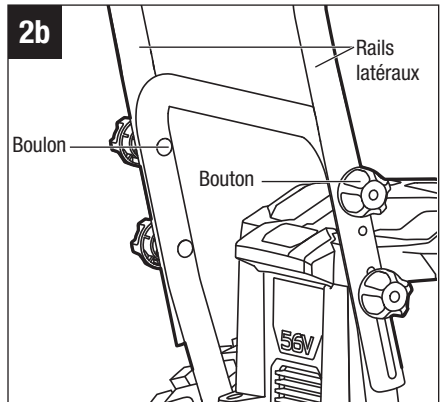
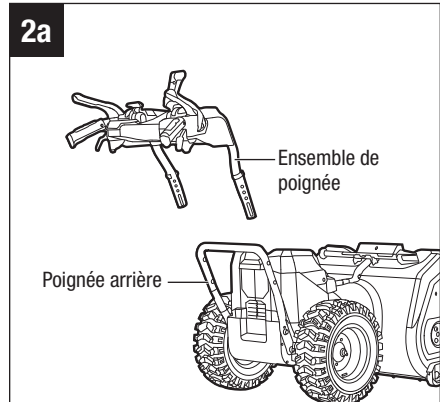
NOM DE LA PIÈCE	QUANTITÉ
Souffleuse à neige	1
Ensemble de poignée	1
Ensemble de goulotte de décharge de la neige	1
Ensemble de bouton et de boulon	6
Outil de nettoyage de la goulotte de décharge	1
Goupille de sécurité	2
Mode d'emploi	1

### INSTALLATION DE L'ENSEMBLE DE POIGNÉE (Fig. 2)

**AVIS :** La poignée doit être assemblée avant de commencer à utiliser la souffleuse à neige (Fig. 2a).

**AVIS :** Vérifiez les câbles et assurez-vous qu'ils ne sont pas tordus avant d'installer l'ensemble de poignée. Sinon, les câbles risquent d'être endommagés en raison d'un étirement excessif.

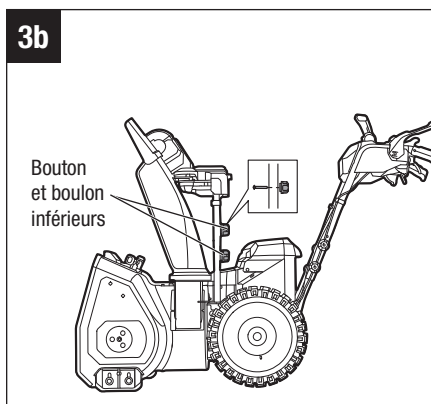
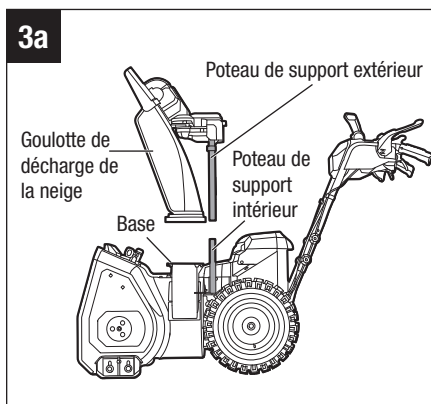
Soulevez l'ensemble de poignée, alignez les trous des rails latéraux sur les trous de la poignée arrière, sélectionnez la hauteur de poignée souhaitée, puis fixez l'ensemble de la poignée à l'aide de quatre boulons et boutons (Fig. 2b). Veuillez consulter la section intitulée « RÉGLAGE DE LA HAUTEUR DE LA POIGNÉE » pour des instructions de réglage détaillées.



## INSTALLATION DE L'ENSEMBLE DE GOULOTTE DE DÉCHARGE DE NEIGE (Fig. 3)

**⚠ AVERTISSEMENT :** N'utilisez jamais la souffleuse à neige sans que la goulotte de décharge complète ne soit en place.

1. Soulevez l'ensemble de goulotte de décharge de la neige et alignez le poteau de support extérieur sur le poteau de support intérieur (Fig. 3a).
2. Faites glisser le poteau de support extérieur vers le bas jusqu'à ce que la goulotte de décharge de la neige soit complètement en place sur la base.
3. Fixez l'ensemble de la goulotte de décharge de la neige à l'aide de deux boutons et boulons (Fig. 3b).



## FONCTIONNEMENT

**⚠ AVERTISSEMENT :** Même si vous connaissez parfaitement ce produit, soyez vigilant. N'oubliez pas qu'une fraction de seconde d'inattention suffit à se blesser grièvement.

**⚠ AVERTISSEMENT :** Portez toujours des lunettes de sécurité conformes à la norme ANSI Z87.1. Sinon, vous pourriez recevoir des débris dans les yeux et vous blesser grièvement.

**⚠ AVERTISSEMENT :** N'utilisez pas de pièces ni d'accessoires qui ne sont pas recommandés par le fabricant de ce produit. L'utilisation de pièces ou d'accessoires non recommandés peut causer des blessures graves.

## UTILISATIONS

Vous pouvez utiliser ce produit pour les types de travaux listés ci-dessous.

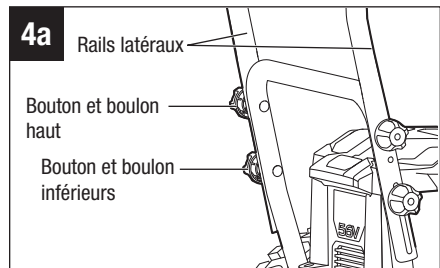
- Enlèvement de la neige d'endroits tels que des voies d'accès pour autos et des trottoirs.

## RÉGLAGE DE LA HAUTEUR DE LA POIGNÉE (Fig. 4)

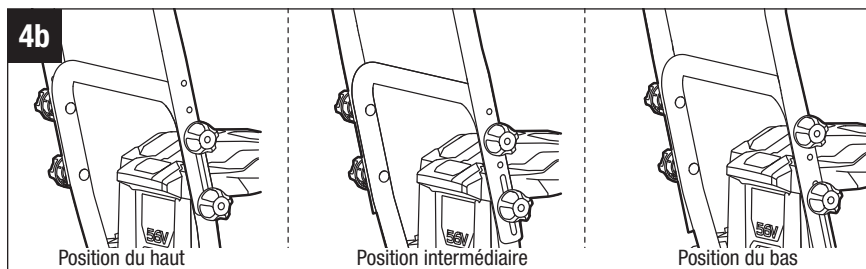
**⚠ AVERTISSEMENT :** Pour empêcher tout démarrage accidentel qui pourrait causer une blessure grave, retirez toujours le ou les bloc-piles de la machine lorsque vous effectuez des réglages.

L'ensemble de poignée peut être réglé à trois hauteurs différentes. Choisissez une position de travail confortable en fonction de votre taille.

1. Desserrez les deux boutons du haut et retirez les deux boulons. Conservez-les en vue du remontage.
2. Desserrez les deux boutons du bas, mais ne les retirez pas des rails latéraux pendant le réglage de la hauteur de la poignée.
3. Levez ou abaissez la poignée et sélectionnez la hauteur appropriée déterminée par l'un des trois jeux de trous dans les rails latéraux (Fig. 4a).



- Une fois que vous avez trouvé le jeu de trous approprié, insérez les boulons supérieurs et serrez les boutons supérieurs.
- Serrez les deux boutons de verrouillage inférieurs pour attacher les rails latéraux à la poignée arrière (Fig. 4b).



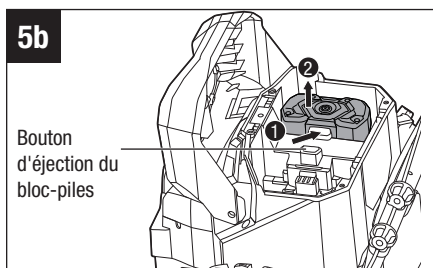
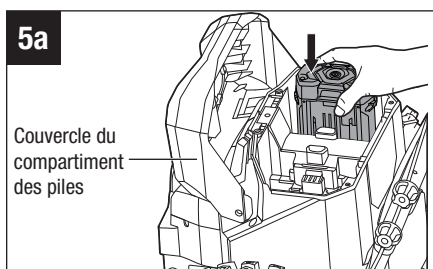
## ATTACHEMENT/DÉTACHEMENT DU BLOC-PILES (Fig. 5)

Chargez le bloc-piles avant de vous en servir pour la première fois !

**REMARQUE :** La souffleuse à neige peut fonctionner avec un ou deux blocs-piles. L'utilisation de deux blocs-piles vous permet de bénéficier d'une plus grande autonomie de fonctionnement et d'un prélèvement d'énergie efficace géré par la technologie PEAK POWER™. Pour obtenir de meilleures performances, nous recommandons l'utilisation de deux blocs-piles de 5,0 Ah ou plus.

Quand ils ne sont pas utilisés, les blocs-piles de 56 V doivent être rangés dans un endroit fermé où la température ne descendra pas au-dessous de -20° C / -4° F. Les températures de charge optimales sont comprises entre 5° C et 40° C / 41° F et 104° F.

**⚠ AVERTISSEMENT :** Si de quelconques pièces sont cassées ou manquantes, ne tentez pas d'attacher les blocs-piles à la souffleuse à neige ou de faire fonctionner la souffleuse avant que les pièces cassées ou manquantes n'aient été remplacées. Si vous ne respectez pas cette consigne, vous risqueriez de causer des blessures graves.



1. Le couvercle du compartiment piles est articulé. Levez le couvercle du compartiment des piles en soulevant le devant du couvercle.
  2. La souffleuse à neige est dotée d'un double compartiment à piles, qui permet d'utiliser deux blocs-piles en même temps.
  3. Alignez les rainures dans le bloc-piles sur les nervures du compartiment des piles, puis insérez le bloc-piles dans le compartiment (Fig. 5a).
  4. Enfoncez le bloc-piles jusqu'à ce que vous entendiez un déclic. Le bouton d'éjection des piles rebondira une fois que le bloc-piles aura été attaché de façon sécurisée.
- AVIS :** Assurez-vous que le loquet de verrouillage du bloc-piles se met bien en place et que le bloc-piles est bien assujéti à la machine avant de commencer à l'utiliser.
5. Attachez l'autre bloc-piles dans l'autre compartiment des piles de la même manière.
  6. Pour retirer le bloc-piles, appuyez sur le bouton d'éjection des piles pour relâcher le bloc-piles, puis tirez dessus pour le faire sortir du compartiment (Fig. 5b).
  7. Rabattez le couvercle du compartiment des piles.

## DÉMARRAGE/ARRÊT DE LA SOUFFLEUSE À NEIGE

**⚠ AVERTISSEMENT :** Ne tentez pas de changer les paramètres de fonctionnement du bouton de sécurité.

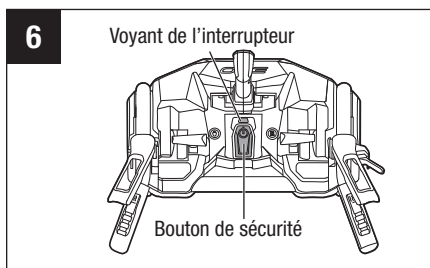
**⚠ AVERTISSEMENT :** Pendant leur fonctionnement, les souffleuse à neige peuvent projeter des corps étrangers dans les yeux de leur utilisateur ou d'autres personnes et leur infliger de graves blessures aux yeux. Portez toujours des lunettes de sécurité lorsque vous utilisez la souffleuse à neige ou pendant que vous réalisez de quelconques réglages ou réparations sur la souffleuse à neige.

**⚠ AVERTISSEMENT :** Assurez-vous que les autres personnes et les animaux de compagnie restent à au moins 30 mètres / 100 pi de la souffleuse à neige pendant qu'elle est en train de fonctionner.

**⚠ AVERTISSEMENT :** La vis sans fin (tarière) continue à tourner pendant quelques secondes après l'arrêt du moteur de la souffleuse à neige. Attendez que la vis sans fin (tarière) cesse de tourner avant de la remettre en marche.

## Mise sous tension de la souffleuse à neige (Fig. 6)

1. Assurez-vous que l'ensemble de poignée est bien réglé à la hauteur appropriée et que la goulotte de décharge latérale est correctement montée.
2. Attachez le ou les bloc(s)-piles dans la souffleuse à neige et fermez le couvercle du compartiment des piles. Reportez-vous au chapitre intitulé « **ATTACHEMENT/DÉTACHEMENT DU BLOC-PILES** ».
3. Appuyez sur le bouton de sécurité, et l'indicateur d'alimentation s'allumera et brillera continuellement en vert, ce qui signifie que la souffleuse est prête pour les fonctions électroniques, qui comprennent la rotation de la vis sans fin/tarière, l'autopropulsion, le chauffage de la poignée, les phares et le réglage de la goulotte/du déflecteur. Voir les instructions détaillées ci-dessous.



**REMARQUE :** Le démarrage de la souffleuse à neige s'effectue en appuyant D'ABORD sur le bouton de sécurité, puis en activant l'une des fonctions électroniques. L'ordre inverse n'activera aucune de ces fonctions.

**REMARQUE :** La souffleuse à neige peut ne pas démarrer correctement si la température de la pile est inférieure ou égale à  $-20^{\circ}\text{C}$  ( $-4^{\circ}\text{F}$ ). Si la souffleuse à neige ne démarre pas, retirez la pile de la souffleuse et laissez-la se réchauffer à l'intérieur pendant 10 minutes ou plus. Réinstallez la pile et réessayez.

## Mise hors tension de la souffleuse à neige

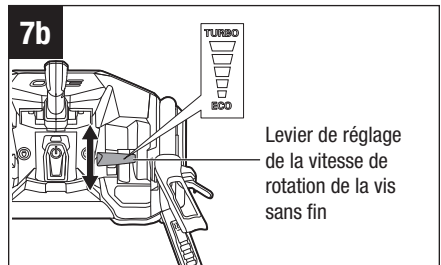
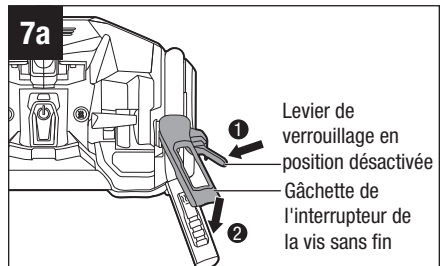
La souffleuse à neige ne peut pas être mise hors tension lorsque la vis sans fin/tarière ou la fonction d'autopropulsion est activée. Si les fonctions de la vis sans fin/ tarière et de l'autopropulsion sont désactivées, il existe deux façons de mettre la souffleuse à neige hors tension :

- Appuyez manuellement sur le bouton de sécurité jusqu'à ce que le voyant de l'indicateur d'alimentation s'éteigne, ce qui signifie que la souffleuse à neige a été mise hors tension.
- Sinon, la souffleuse à neige s'éteint automatiquement dans les situations suivantes :

- a. Lorsqu'il n'y a aucune fonction électronique active, la souffleuse à neige s'éteint automatiquement au bout de cinq minutes d'inactivité.
- b. Lorsque les phares sont allumés sans autre fonction électronique active, les phares s'éteignent automatiquement au bout de cinq minutes, et la souffleuse à neige s'éteint automatiquement au bout de cinq minutes supplémentaires.
- c. Lorsque le chauffage de la poignée est activé et qu'aucune autre fonction électronique n'est active, le chauffage de la poignée s'éteint automatiquement au bout de dix minutes, et la souffleuse à neige s'éteint automatiquement au bout de cinq minutes supplémentaires.
- d. Lorsque les phares et le chauffage de la poignée sont activés sans autre fonction électronique active, les phares s'éteignent automatiquement au bout de cinq minutes et le chauffage de la poignée s'éteint automatiquement au bout de cinq minutes supplémentaires. Ensuite, la souffleuse s'éteint automatiquement cinq minutes plus tard.

## SYSTÈME DE RÉGLAGE DE LA VITESSE DE LA VIS SAN FIN (Fig. 7)

1. Appuyez sur le bouton de sécurité ; le voyant de l'indicateur d'alimentation s'allumera et brillera continuellement en vert.
2. **Pour mettre la vis sans fin en marche**, serrez le levier de verrouillage en position désactivée et appuyez sur la gâchette de l'interrupteur de la vis sans fin contre la poignée. Relâchez ensuite le levier de verrouillage en position désactivée (Fig. 7a).
3. **Pour arrêter la vis sans fin**, relâchez la gâchette de l'interrupteur de la vis sans fin.



La vitesse de rotation de la vis sans fin détermine la distance de projection. La vitesse de rotation de la vis sans fin est variable et peut être réglée à l'aide du levier de réglage de la vitesse de rotation de la vis sans fin (Fig. 7b)

- **Pour augmenter la vitesse**, déplacez le levier de réglage de la vitesse de rotation de la vis sans fin vers l'avant, dans le sens opposé à celui de l'opérateur.
- **Pour diminuer la vitesse**, déplacez le levier de réglage de la vitesse de la vis sans fin vers l'arrière, dans le sens de l'opérateur.

**REMARQUE :** La position de la commande de réglage de la vitesse de la vis sans fin détermine la vitesse de rotation de la vis sans fin, de telle sorte que le réglage de la vitesse de rotation de la vis sans fin est efficace à tout moment.

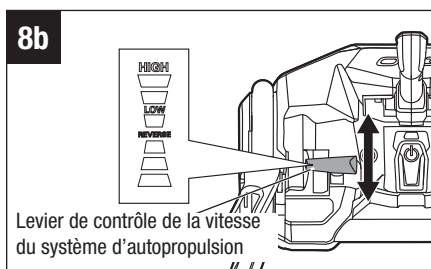
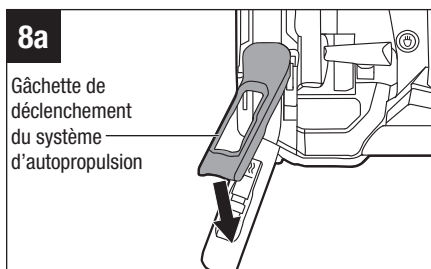
## SYSTÈME D'AUTOPROPULSION À VITESSE VARIABLE (Fig. 8)

Cette souffleuse à neige est dotée d'une capacité d'autopropulsion à vitesse variable. La fonction d'auto-propulsion peut être activée avec ou sans rotation de la vis sans fin.

1. Appuyez sur le bouton de sécurité ; le voyant de l'indicateur d'alimentation s'allumera et brillera continuellement en vert.
2. **Pour activer la fonction d'autopropulsion**, appuyez sur la gâchette d'autopropulsion contre la poignée (Fig. 8a).
3. **Pour désactiver la fonction d'auto-propulsion**, relâchez la gâchette d'auto-propulsion.

La vitesse et la direction du système d'autopropulsion peuvent être réglées à l'aide du levier de réglage de la vitesse du système d'autopropulsion (Fig. 8b).

- **Pour avancer**, placez le levier de réglage de la vitesse du système d'autopropulsion dans la zone de marche avant. Déplacez le levier de réglage de la vitesse du système d'autopropulsion vers l'avant (dans le sens opposé à celui de l'utilisateur), dans la zone de marche avant, pour augmenter la vitesse. Ou déplacez le levier de réglage de la vitesse du système d'autopropulsion vers l'arrière (vers l'utilisateur) dans la zone de marche avant pour réduire la vitesse.





- Pour passer en marche arrière**, placez le levier de réglage de la vitesse du système d'autopropulsion dans la zone de marche arrière. Déplacez le levier de réglage de la vitesse du système d'autopropulsion vers l'AVANT (en l'éloignant de l'utilisateur) dans la zone de marche arrière pour DIMINUER la vitesse. Ou déplacez le levier de réglage de la vitesse du système d'autopropulsion VERS L'ARRIÈRE.

**REMARQUE :** Vous remarquerez un déclic qui sépare les zones de marche avant et de marche arrière du levier de réglage de la vitesse du système d'autopropulsion.

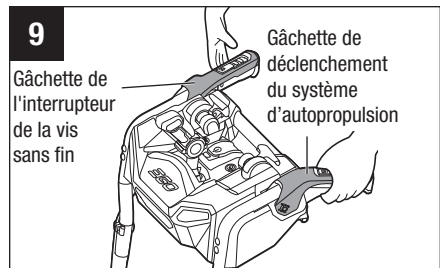
**AVIS :** La position du levier de réglage de la vitesse du système d'autopropulsion détermine la vitesse de déplacement, de sorte que le réglage de la vitesse est effectif à tout moment. Pour votre sécurité, il est recommandé de vérifier et de régler la vitesse d'autopropulsion sur la valeur la plus lente avant d'activer la fonction d'autopropulsion.

## RELATION ENTRE LA GÂCHETTE DE L'INTERRUPTEUR DU SYSTÈME DE VIS SANS FIN ET LA GÂCHETTE DE L'INTERRUPTEUR DU SYSTÈME D'AUTOPROPULSION (Fig. 9)

Lorsque vous activez la gâchette de l'interrupteur du système d'autopropulsion

et la gâchette de l'interrupteur du système de vis sans fin en même temps, la gâchette de l'interrupteur du système de vis sans fin sera temporairement bloquée. Relâchez la gâchette de l'interrupteur du système de vis sans fin (main droite), et l'interrupteur du système de vis sans fin restera enclenché. Cette fonction permet de régler la vitesse de la vis sans fin, la vitesse d'autopropulsion et la direction de décharge de la neige pendant que la vis sans fin tourne.

Pour arrêter la rotation de la vis sans fin, relâchez la gâchette du système d'autopropulsion, et la vis sans fin ainsi que la fonction d'autopropulsion s'arrêteront.



## RÉGLAGE ÉLECTRONIQUE DE LA DIRECTION DE LA GOULOTTE DE DÉCHARGE ET DU DÉFLECTEUR (Fig. 10)

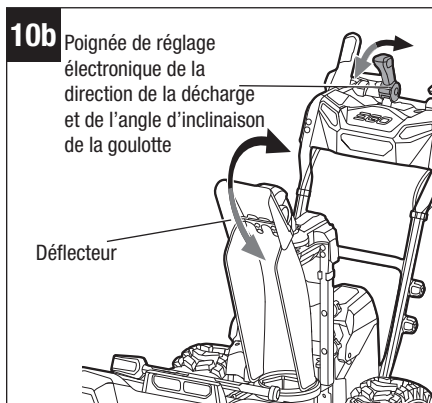
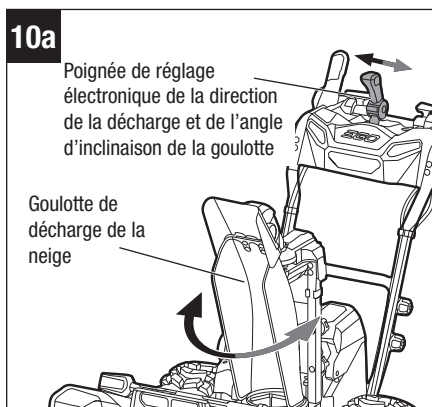
Cette souffleuse à neige est équipée d'une goulotte de décharge et d'un déflecteur réglables électroniquement.

La goulotte de décharge peut être réglée pour modifier à la fois la direction de la décharge et la distance de projection de la neige afin de vous aider à éloigner la neige d'une zone et à la déposer dans une autre.

1. Appuyez sur le bouton de sécurité ; le voyant de l'indicateur d'alimentation s'allumera et brillera continuellement en vert.
2. La direction de la décharge de la neige peut être réglée jusqu'à 100° à gauche et 100° à droite (Fig. 10a).

- Déplacez la poignée de réglage électronique de la direction et de l'inclinaison de la goulotte de décharge vers la gauche pour faire pivoter la goulotte vers la gauche.
- Déplacez la poignée de réglage électronique de la direction et de l'inclinaison de la goulotte de décharge vers la droite pour faire pivoter la goulotte vers la droite.

3. La distance de projection de la souffleuse à neige est déterminée en partie par l'angle d'inclinaison du déflecteur de la goulotte (Fig. 10b).
  - Pour augmenter la distance de projection de la neige, tirez la poignée de réglage électronique de la direction et de l'inclinaison de la goulotte vers l'arrière. Cela permet de soulever le déflecteur.
  - Pour diminuer la distance de projection de la neige, poussez vers l'avant la poignée de réglage électronique de la direction et de l'inclinaison de la goulotte. Cela permet d'abaisser le déflecteur.

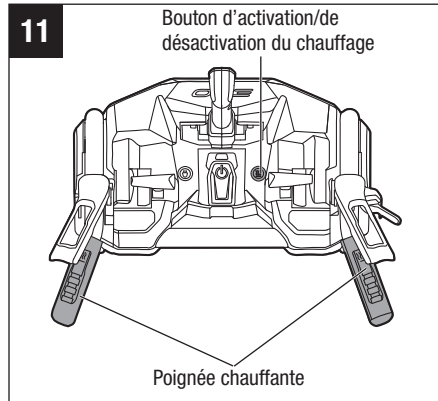


**REMARQUE :** Lorsque la souffleuse à neige est mise hors tension puis remise en marche, la direction de la goulotte de décharge et l'angle du déflecteur peuvent se désynchroniser par rapport à la position de la poignée électronique de réglage de la direction de la goulotte et de son inclinaison. Actionnez à nouveau la poignée de réglage électronique de la direction et de l'inclinaison de la goulotte pour « reconnecter » électroniquement la poignée et la goulotte/le déflecteur.

## POIGNÉES CHAUFFANTES (Fig. 11)

Cette souffleuse à neige est dotée d'une zone de préhension chauffée pour réchauffer vos mains.

**⚠ AVERTISSEMENT :** Assurez-vous que le revêtement en caoutchouc est intact au niveau des zones chauffées de la poignée avant de mettre en marche le système de chauffage de la poignée. Une peau non protégée peut subir des brûlures au contact des éléments chauffants exposés.



1. Appuyez sur le bouton de sécurité ; le voyant de l'indicateur d'alimentation s'allumera et brillera continuellement en vert.
2. **Pour activer le chauffage de la poignée**, appuyez sur le bouton marche/arrêt du chauffage, et le bouton lui-même s'allumera.
3. **Pour désactiver le chauffage de la poignée**, appuyez à nouveau sur le bouton marche/arrêt du chauffage, et le voyant du bouton s'éteindra.

**REMARQUE :** Lorsque le chauffage est activé quand il fait la température de fonctionnement recommandée, la température de la poignée chauffante est maintenue entre 35° C (95° F) et 55° C (131° F).

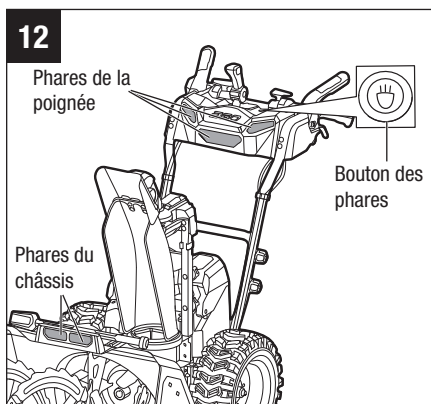
**REMARQUE :** Le chauffage s'éteint automatiquement pour préserver la charge de la pile si aucune autre fonction électronique de la souffleuse n'est activée dans les 10 minutes.

## PHARES DU CHÂSSIS ET DE LA POIGNÉE (Fig. 12)

Un jeu de phares à DEL est situé à l'avant du châssis et un autre jeu à l'avant de la poignée.

1. Appuyez sur le bouton de sécurité ; le voyant de l'indicateur d'alimentation s'allumera et brillera continuellement en vert.
2. Appuyez une fois sur le bouton des phares pour allumer les phares du châssis et de la poignée.
3. Appuyez deux fois sur le bouton des phares pour éteindre les feux de position.
4. Appuyez trois fois sur le bouton des phares pour éteindre tous les phares.

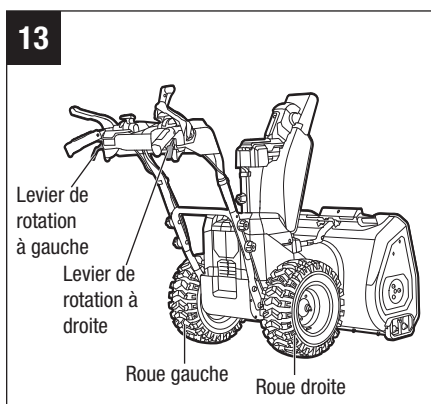
**AVIS :** Tous les phares s'éteignent automatiquement s'il n'y a pas d'autre fonction électronique active au bout de cinq minutes.



## COMMENT TOURNER (Fig. 13)

Les roues de la souffleuse à neige peuvent être désengagées à l'aide du levier de virage à droite ou à gauche pour aider à effectuer un virage à droite ou à gauche lors de l'utilisation de la souffleuse à neige.

1. Appuyez sur le bouton de sécurité ; le voyant de l'indicateur d'alimentation s'allumera et brillera continuellement en vert.
2. Appuyez sur la gâchette du système d'autopropulsion contre la poignée pour activer la fonction d'autopropulsion
3. Appuyez sur le levier de virage à gauche ou à droite pour effectuer un virage :



- pressez le levier de rotation gauche pour désengager la roue gauche du moteur autopropulseur, et la souffleuse à neige tournera à gauche.
- pressez le levier de rotation droite pour désengager la roue droite du moteur autopropulseur, et la souffleuse à neige tournera à droite.
- pressez les deux leviers en même temps pour désengager les deux roues du moteur autopropulseur, et la souffleuse à neige s'arrêtera complètement.

**⚠ AVERTISSEMENT :** Lorsque vous appuyez sur les deux leviers pour arrêter le mouvement d'autopropulsion, la souffleuse ne s'arrête pas immédiatement car les roues continuent à tourner pendant un certain temps en raison de l'inertie. Pour votre sécurité, ne lâchez pas les poignées de la souffleuse à neige avant qu'elle ne s'arrête complètement.

**REMARQUE :** Lorsque la souffleuse à neige est poussée vers l'avant ou tirée vers l'arrière manuellement, appuyez sur les deux leviers en même temps ; les roues seront alors désengagées du moteur autopropulseur. Cela facilitera le déplacement manuel.

## INDICATEUR D'ÉTAT DE CHARGE DE LA SOUFFLEUSE À NEIGE

La souffleuse à neige est équipée d'un indicateur de charge de la souffleuse qui indique le niveau de charge du ou des bloc(s)-piles et l'état de charge de la souffleuse à neige. Le témoin de l'indicateur de charge s'allume uniquement lorsque la souffleuse à neige est mise en marche.

**REMARQUE :** Pour tous les problèmes qui n'ont pas pu être résolus, contactez le centre de service après-vente EGO pour effectuer une réparation.

INDICATEUR D'ÉTAT DE CHARGE	SIGNIFICATION	ACTION
Allumé continuellement en vert	La souffleuse à neige fonctionne correctement, et chaque bloc-piles a au moins 15 % de sa charge.	Aucune action n'est nécessaire.
Clignotant en rouge	Le(s) bloc-piles est/sont presque complètement déchargé(s).	Arrêtez la souffleuse à neige et chargez le(s) bloc-piles(s).
Allumé continuellement en orange	Si la gâchette de l'interrupteur du système de vis sans fin et celle du système d'autopropulsion sont toutes les deux activées ou si seule la gâchette de l'interrupteur du système de vis sans fin est activée, cela signifie que le moteur du système de vis sans fin est surchauffé.	Arrêtez la souffleuse à neige et attendez un certain temps pour que le moteur du système de vis sans fin refroidisse.
	Si seule la gâchette du système d'autopropulsion est activée, cela signifie que le moteur d'autopropulsion est surchauffé.	Arrêtez la fonction d'autopropulsion et attendez un certain temps pour refroidir le moteur du système d'autopropulsion.
Orange, clignotant lentement	Le moteur de la vis sans fin est surchargé et les vis sans fin cessent de tourner.	Relâchez la gâchette de l'interrupteur du système de vis sans fin. Redémarrez les vis sans fin et ralentissez votre rythme, ou réduisez la largeur de dégagement de la souffleuse à neige lorsque vous travaillez.

INDICATEUR D'ÉTAT DE CHARGE	SIGNIFICATION	ACTION
Orange, clignotant rapidement	Si la gâchette de l'interrupteur du système de vis sans fin et la gâchette du système d'autopropulsion sont toutes deux activées, ou si seule la gâchette de l'interrupteur du système de vis sans fin est activée, cela signifie que les vis sans fin sont bouchées, et elles ne tournent pas.	Retirez le(s) bloc(s)-piles. Inspectez la souffleuse et dégagez la neige qui s'est accumulée sous le système de protection à vis sans fin ou qui s'y est logée.
	Si seule la gâchette du système d'autopropulsion est activée, cela signifie que le moteur d'autopropulsion est surchargé et la souffleuse à neige ne peut pas se déplacer en mode d'autopropulsion.	Retirez le(s) bloc(s)-piles. Vérifiez et dégagez toute la neige ou tous les débris pouvant se trouver entre les roues et le corps de la machine.
Rouge et vert, clignotant alternativement	Erreur électronique.	Contactez un Centré de service après-vente EGO pour la réparation.
Pas de voyant allumé	Si le voyant DEL d'un ou des deux blocs-piles clignote en orange ou brille en rouge, cela signifie que le ou les bloc(s)-piles sont en état de surchauffe.	Laissez le(s) bloc(s) batterie(s) refroidir et essayez de remettre la souffleuse à neige en marche.
	Autres erreurs : interrupteur, lumière, etc.	Contactez un Centré de service après-vente EGO pour la réparation.

## PROTECTION CONTRE LA SURCHARGE DU MOTEUR DE LA VIS SANS FIN

Pour éviter toute surcharge du moteur de la vis sans fin, n'essayez pas d'enlever trop de neige à la fois, ralentissez votre allure et réduisez la largeur de la zone de déneigement.

Votre souffleuse à neige possède des éléments intégrés de détection de surcharge. Lorsque le moteur de la vis sans fin est surchargé, le moteur réduit automatiquement la vitesse de rotation de la vis sans fin, et vous entendrez le niveau sonore du moteur diminuer. En cas de surcharge, ralentissez votre rythme ou réduisez la largeur de déblaiement, après quoi la vitesse du moteur reviendra automatiquement à son réglage normal. Si cela ne résout pas la situation de surcharge, le capteur arrêtera automatiquement le moteur, et le témoin d'indicateur d'état de charge clignotera en orange lentement/rapidement.

- Lorsque l'indicateur d'alimentation clignote lentement en orange, relâchez la gâchette de l'interrupteur de la vis sans fin. Redémarrez les vis sans fin et ralentissez votre rythme ou réduisez la largeur de la zone de déneigement lorsque vous travaillez.
- Lorsque le voyant de l'indicateur d'alimentation clignote rapidement en orange, retirez le ou les blocs-piles de la souffleuse à neige. Vérifiez qu'il n'y a pas d'accumulation de neige ou de glace dans la vis sans fin et sur le châssis. Si nécessaire, utilisez l'outil de nettoyage de la goulotte de décharge pour la dégager en suivant les instructions de la section intitulée « NETTOYAGE D'UNE GOULOTTE OBSTRUÉE ». Réinstallez le(s) bloc(s)-piles et faites redémarrer la souffleuse à neige.

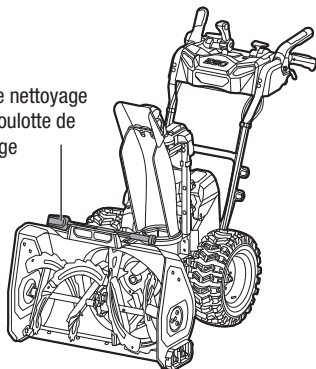
## DÉGAGEMENT D'UNE GOULOTTE OBSTRUÉE (Fig. 14)

**⚠ AVERTISSEMENT :** L'entrée en contact des mains avec la vis sans fin en rotation à l'intérieur de la goulotte est la cause la plus fréquente des blessures associées aux souffleuses à neige. Ne vous servez jamais de vos mains pour nettoyer la goulotte.

**⚠ AVERTISSEMENT :** Ne placez jamais vos bras à l'intérieur de la goulotte et ne placez aucune partie de votre

**14**

Outil de nettoyage  
de la goulotte de  
décharge





corps devant la souffleuse à neige lorsque celle-ci est en marche ou quand le ou les blocs-piles sont installés. Assurez-vous toujours que toutes les pièces mobiles se sont arrêtées et que le ou les blocs-piles ont été retirés avant de retirer des obstructions. Le non-respect de ces instructions peut entraîner des blessures graves.

### **Pour dégager la goulotte :**

1. Arrêtez les moteurs et mettez la souffleuse à neige hors tension !
2. Retirez le ou les bloc(s)-piles de la souffleuse à neige.
3. Attendez 10 secondes pour vous assurer que la vis sans fin a cessé de tourner.
4. Utilisez toujours l'outil de nettoyage de la goulotte qui est attaché à la machine comme un accessoire ; **N'UTILISEZ PAS VOTRE MAIN.**

## **PROTECTION CONTRE LES HAUTES TEMPÉRATURES DES BLOCS-PILES**

Si la température du ou des blocs-piles dépasse 70° C / 158° F pendant le fonctionnement, le circuit de protection contre les températures élevées éteint immédiatement la souffleuse à neige pour protéger le ou les blocs-piles contre les dommages causés par la chaleur. Le voyant de l'indicateur d'alimentation de la souffleuse à neige sera éteint et l'indicateur à DEL sur le bloc-piles clignotera en orange ou brillera en rouge en fonction du modèle.

**REMARQUE :** Le voyant de l'indicateur à DEL sur les modèles de blocs-piles suivants clignotera en orange en cas de surchauffe : BA1400-FC, BA2240, BA2800, BA2800-FC, BA4200 et BA4200-FC ; les DEL sur les modèles de blocs-piles suivants s'allumeront et brilleront en rouge en cas de surchauffe : BA1400T, BA1400T-FC, BA2242T, BA2242T-FC, BA2800T, BA2800T-FC, BA3360T, BA3360T-FC, BA4200T, BA4200T-FC, BA5600T, BA5600T-FC, BA6720T et BA6720T-FC.

Relâchez toutes les gâchettes et attendez que le ou les blocs-piles surchauffés refroidissent et que l'indicateur à DEL devienne vert, puis redémarrez la souffleuse à neige.

Pour éviter un arrêt causé par l'activation du système de protection contre les températures élevées des piles, n'essayez pas d'utiliser une seule pile pour alimenter la souffleuse à neige lorsque l'épaisseur de la neige accumulée dépasse 20 cm / 8 po, ou lorsque la neige est très humide ou glacée. Nous recommandons l'utilisation de deux piles fonctionnant simultanément. Cela permet d'atteindre la puissance maximale de la souffleuse à neige.

Après l'activation du système de protection contre les températures élevées, ralentissez votre allure et réduisez la largeur de la zone de déneigement afin de réduire la charge sur la pile.

## CONSEILS D'UTILISATION

**⚠ DANGER :** N'utilisez jamais une souffleuse à neige sur des rivières ou des lacs gelés, ou sur des surfaces similaires. Des blessures graves ou la mort pourraient survenir si la glace cède.

**⚠ DANGER:** N'utilisez jamais la souffleuse à neige sur un toit ou sur toute autre surface instable, car cela pourrait entraîner des blessures graves ou la mort.

**⚠ AVERTISSEMENT :** N'utilisez pas la souffleuse à neige sur une surface verglacée, car vous pourriez glisser et tomber, ce qui pourrait éventuellement vous causer des blessures graves.

**⚠ AVERTISSEMENT :** Ne portez pas de vêtements amples, de foulard ni de bijoux. Ceux-ci risquent d'être happés par des pièces mobiles et entraîner des blessures graves ou la mort.

**⚠ AVERTISSEMENT :** Dirigez la projection de la neige loin de tout appareil électrique afin de réduire les risques d'électrocution ou de choc électrique.

**⚠ AVERTISSEMENT :** Ne dirigez jamais la souffleuse à neige ou la goulotte vers des personnes ou des animaux. De la neige ou d'autres objets projetés peuvent causer des blessures graves.

**⚠ AVERTISSEMENT :** Assurez-vous que la surface à déneiger est exempte de pierres, de branches, de fils, de gravier et d'autres objets qui pourraient être accidentellement projetés par la souffleuse à neige dans n'importe quelle direction et causer de graves blessures à l'opérateur ou à d'autres personnes.

- Si la souffleuse entre en contact avec un type quelconque d'obstacles ou de débris pendant son utilisation, arrêtez la souffleuse à neige, retirez les blocs-piles, éliminez l'obstruction et inspectez soigneusement l'appareil avant de reprendre le déneigement.

**⚠ AVERTISSEMENT :** Ne touchez pas l'intérieur de la goulotte d'éjection et ne placez aucune partie de votre corps devant la souffleuse à neige quand celle-ci est en marche ou lorsque les blocs-piles sont installés. Assurez-vous toujours que toutes les pièces mobiles ont cessé de bouger et que les blocs-piles ont été retirés avant de débloquer toute obstruction. Le non-respect de ces instructions peut entraîner des blessures graves.

Prenez note de la direction du vent avant de commencer. Lorsque cela est possible, projetez la neige dans le sens du vent pour empêcher qu'elle ne vous revienne dans le visage.

- Certaines pièces de la souffleuse à neige peuvent geler dans des conditions météorologiques extrêmes. Ne tentez pas de faire fonctionner cette souffleuse avec des pièces gelées.
- Lorsque vous avez terminé, laissez le moteur tourner pendant encore quelques minutes afin d'éviter que des pièces mobiles ne gèlent, puis déplacez la poignée de rotation de la goulotte plusieurs fois dans un mouvement de va-et-vient pour le dégager de toute accumulation de glace. Assurez-vous d'enlever toute la neige et toute la glace de la base de la goulotte.
- Dans des conditions froides et neigeuses, certaines commandes et certaines pièces mobiles peuvent geler. N'utilisez pas une force excessive lorsque vous essayez d'actionner des commandes gelées. Si vous avez de la difficulté à faire fonctionner des commandes ou des pièces, mettez la souffleuse en marche comme l'indique la section intitulée « **DÉMARRAGE ET ARRÊT DE LA SOUFFLEUSE À NEIGE** » et laissez-la tourner pendant quelques minutes.

## ENTRETIEN

**⚠ AVERTISSEMENT :** Pour éviter des blessures graves, retirez toujours les blocs-piles avant de procéder à l'entretien ou au nettoyage de la souffleuse à neige.

**⚠ AVERTISSEMENT :** Lors de toute opération d'entretien, utilisez seulement des pièces de rechange identiques aux pièces d'origine. L'utilisation de toute autre pièce peut endommager la souffleuse ou être une source de danger. Pour en assurer la sûreté et la fiabilité, toute réparation doit être effectuée par un technicien qualifié.

**AVIS :** Inspectez périodiquement l'intégralité de la souffleuse pour y déceler des pièces endommagées, manquantes ou lâches telles que les vis, les écrous, les boulons, les capuchons, etc. Resserrez fermement toutes les fixations et tous les capuchons, et ne faites pas fonctionner la souffleuse tant que toutes les pièces manquantes ou endommagées n'ont pas été remplacées.

### ENTRETIEN GÉNÉRAL

Évitez d'utiliser des solvants lorsque vous nettoyez des pièces en plastique. La plupart des plastiques peuvent être endommagés par divers types de solvants commerciaux. Utilisez des linges propres pour enlever les saletés, la poussière, l'huile, la graisse, etc.

**⚠ AVERTISSEMENT :** Ne laissez jamais du liquide de frein, de l'essence, des produits à base de pétrole, etc., entrer en contact avec les pièces en plastique. Les produits chimiques peuvent endommager, affaiblir ou détruire le plastique et entraîner ainsi des risques de blessures graves.

### LUBRIFICATION DE LA MACHINE

Tous les roulements de ce produit sont lubrifiés avec une quantité suffisante de lubrifiant de haute qualité pour la durée de vie de la machine si elle est utilisée dans des conditions de fonctionnement normales. Par conséquent, aucune lubrification supplémentaire des roulements n'est nécessaire.

## REPLACEMENT ET AJUSTEMENT DES PATINS (Fig. 15)

Lorsque vous rencontrez des surfaces irrégulières ou recouvertes de gravier, la hauteur des patins doit être ajustée pour augmenter la capacité de la souffleuse à neige à manœuvrer sur la neige.

Lorsque les patins sont cassés ou lorsque le réglage de la hauteur maximale n'est pas conforme aux exigences, remplacez les patins.

Outils nécessaires (non inclus) :

- une clé à douille de 15 mm

### Pour remplacer les patins (Fig. 15a)

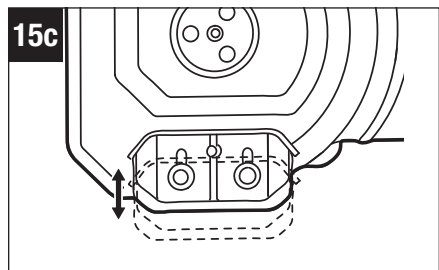
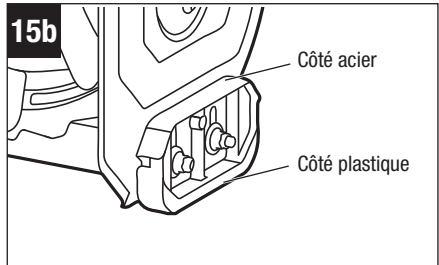
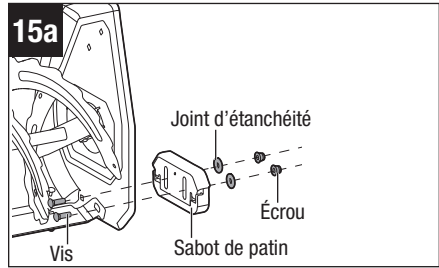
1. Retirez le(s) bloc(s)-piles.
2. Desserrez et retirez les écrous, les joints d'étanchéité, le patin et les boulons sur le côté du châssis.
3. Remplacez le patin par un nouveau.
4. Remontez les écrous, les joints d'étanchéité et les boulons. Serrez-les fermement.

**REMARQUE :** Les côtés en acier et en plastique des patins peuvent être inversés pour des surfaces différentes selon les besoins (Fig. 15b).

### Pour régler la hauteur des patins (Fig. 15c)

Lorsque vous rencontrez des surfaces irrégulières ou recouvertes de gravier, la hauteur des patins doit être ajustée pour augmenter la capacité de la souffleuse à neige à manœuvrer sur la neige.

La hauteur des patins peut être ajustée en fonction des conditions d'enneigement réelles sans devoir retirer les écrous. Il suffit de desserrer les écrous, d'ajuster la position des patins, puis de resserrer les écrous.



## REPLACEMENT DE LA BARRE DE RACLAGE (Fig. 16)

Outils nécessaires (non inclus) :

- une clé à douille de 15 mm
- une clé à fourche de 8 mm ou une clé réglable

1. Retirez le(s) bloc(s)-piles.

2. Posez la souffleuse à neige sur le côté ou dans toute autre position pratique pour effectuer une opération de maintenance de la barre de raclage.

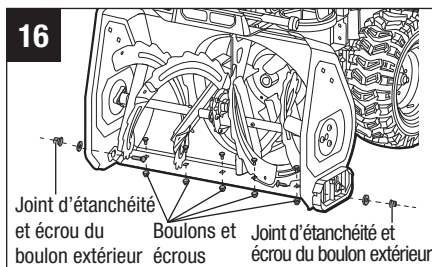
3. Desserrez et retirez le boulon extérieur, le joint d'étanchéité et l'écrou de chaque patin.

4. Desserrez et retirez les cinq écrous situés sur la partie inférieure du châssis, ainsi que les cinq boulons situés à l'intérieur.

5. Retirez la barre de raclage du châssis.

6. Remplacez la barre de raclage usée par une barre neuve.

7. Remontez les deux boulons extérieurs, les joints d'étanchéité et les écrous des patins, ainsi que les cinq boulons et écrous de la partie inférieure du châssis. Serrez-les fermement.



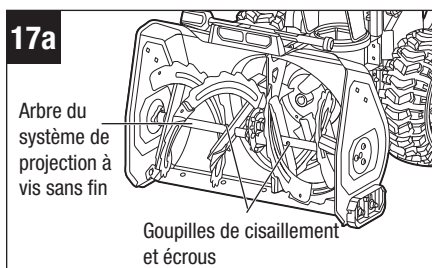
## REPLACEMENT DE LA BARRE DE RACLAGE (Fig. 17)

Les goupilles de cisaillement sont situées dans l'arbre de la vis sans fin. Elles permettent d'absorber le couple instantané lorsque la vis sans fin heurte des obstacles pendant le travail, et elles protègent la boîte de vitesses et le moteur contre les dommages.

Remplacez les goupilles de cisaillement si elles sont cassées (Fig. 17a).

Outils nécessaires (non inclus) :

- Clé à fourche de 10 mm ou clé réglable
- Clé hexagonale de 4 mm



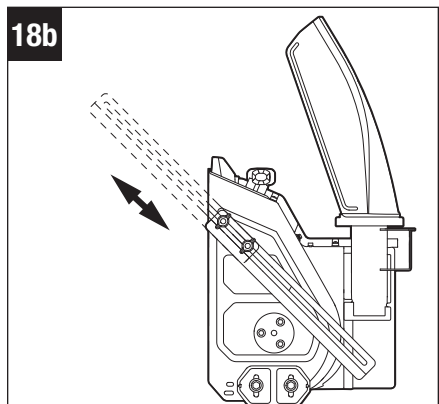
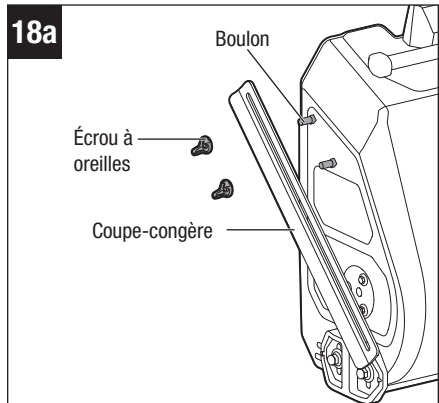
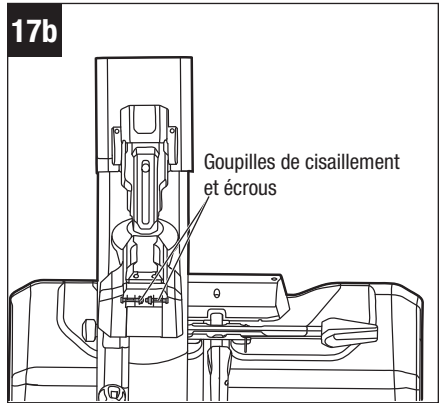
1. Retirez le(s) bloc(s)-piles.
2. Retirez la goupille de cisaillement et l'écrou.
3. Remontez la nouvelle goupille de cisaillement et le nouvel écrou. Serrez-les fermement.

**AVIS :** Deux goupilles de cisaillement et deux écrous sont rangés sur l'ensemble de goulotte de décharge de la neige (Fig. 17b). Remplacez-les par de nouvelles goupilles ou de nouveaux écrous si les originaux sont cassés.

### COUPE-CONGÈRE EGO MODÈLE ADC2400 (VENDU SÉPARÉMENT) (Fig. 18)

Lorsque la hauteur de la neige est supérieure à celle du châssis, les souffleuses à neige peuvent racler la neige sous le châssis pour faciliter le déneigement.

1. Retirez le(s) bloc(s)-piles.
2. Insérez les deux boulons dans le châssis, et montez le coupe-congère et les écrous à oreilles sur les boulons. Pré-serrez les écrous à oreilles et laissez un peu de jeu pour le coupe-congère afin de pouvoir procéder au réglage (Fig. 18a).
3. Déplacez les coupe-congères jusqu'à la position souhaitée (Fig. 18b).
4. Serrez les écrous à oreilles pour fixer les coupe-congères en place.



## CONTRÔLE DE LA PRESSION DES PNEUS

Il est important pour assurer un déneigement uniforme que tous les pneus aient le montant correct de pression d'air. Si la souffleuse à neige ne va pas tout droit, veuillez vérifier la pression d'air des roues avant toute autre chose.

Vérifiez et assurez-vous que les deux pneus sont gonflés à la pression indiquée à la Fig. 19.

Outils nécessaires (non inclus) :

- jauge de pression des pneus ;
- compresseur d'air / gonfleur ou pompe à vélo robuste.

**⚠ AVERTISSEMENT :** Vérifiez attentivement la pression des pneus pendant que vous les gonflez. La présence de trop d'air dans le pneu risquerait de faire éclater le pneu, ce qui pourrait causer des blessures graves.

**⚠ AVERTISSEMENT :** Il est très important de maintenir la pression d'air correcte dans les pneus. Une pression insuffisante pourrait permettre au pneu de tourner et de se détacher de la jante de la roue. Une pression excessive pourrait causer l'éclatement du pneu. Le fait de ne pas maintenir la pression d'air correcte dans les pneus pourrait causer des problèmes de fonctionnement et de stabilité pour la souffleuse à neige, causant ainsi éventuellement des blessures graves.

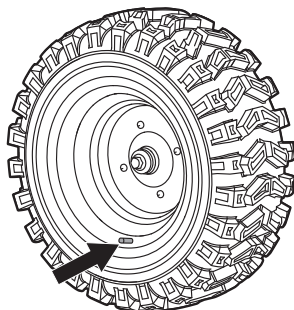
## RANGEMENT DE LA SOUFFLEUSE À NEIGE

**⚠ AVERTISSEMENT :** Assurez-vous que toute la neige fondue qui peut tomber de la souffleuse à neige est correctement essuyée pour éviter tout risque de glissade et de chute.

Retirez le(s) bloc(s)-piles et rangez-le(s) dans un endroit sûr, hors de portée des enfants.

**REMARQUE :** Quand ils ne sont pas utilisés, les blocs-piles doivent être rangés dans un endroit fermé où la température ne descendra pas au-dessous de  $-20^{\circ}\text{C}$  /  $-4^{\circ}\text{F}$ .

19



16 PSI / 96,5 kPa



Avant de ranger la souffleuse, éliminez toute trace d'humidité, de saleté ou de débris du compartiment des piles et de ses environs.

- Essuyez la souffleuse à neige avec un chiffon propre et sec.
- Vérifiez que le serrage de tous les écrous, boulons, boutons, vis, etc. est adéquat.
- Inspectez les pièces mobiles pour vérifier qu'elles ne sont pas endommagées, cassées ou excessivement usées. Faites réparer les pièces endommagées ou manquantes.
- Rangez la souffleuse à neige dans un endroit propre, sec et fermé, hors de portée des enfants.
- Ne la rangez pas à côté de matériaux corrosifs tels que des engrais ou du sel gemme.

## RECHERCHE DE LA CAUSE DES PROBLÈMES

**⚠ AVERTISSEMENT :** Retirez toujours le(s) bloc-piles lorsque vous effectuez une opération d'entretien ou lorsque vous transportez la souffleuse à neige. Protégez toujours vos mains en portant des gants épais lorsque vous effectuez des travaux d'entretien sur la vis sans fin ou la barre de raclage de la souffleuse à neige.

PROBLÈME	CAUSE	SOLUTION
La souffleuse à neige ne démarre pas.	<ul style="list-style-type: none"> <li>■ Le niveau de charge du ou des bloc(s)-piles est faible.</li> <li>■ La gâchette de l'interrupteur de la vis sans fin n'est pas enfoncée après que le voyant de l'indicateur d'alimentation s'allume et brille continuellement en vert.</li> <li>■ La vis sans fin est gelée par la neige ou la glace.</li> <li>■ Les piles du bloc-piles sont en état de surchauffe. Le voyant à DEL sur le(s) bloc(s)-piles clignote en orange ou brille en rouge. (voir la section intitulée « <b>PROTECTION DES PILES CONTRE UNE SURCHAUFFE</b> » dans ce mode d'emploi.)</li> </ul>	<ul style="list-style-type: none"> <li>■ Chargez le bloc(s)-piles.</li> <li>■ Appuyez sur la gâchette de l'interrupteur de la vis sans fin après que le voyant de l'indicateur d'alimentation s'est allumé et brille continuellement en vert. Si l'indicateur d'alimentation est éteint, la souffleuse à neige ne répondra pas à l'enfoncement de la gâchette de l'interrupteur de la vis sans fin.</li> <li>■ Retirez d'abord le ou les blocs-piles, puis utilisez un outil de nettoyage pour dégager la neige ou la glace qui cause l'obstruction de la vis sans fin. Remettez la souffleuse à neige en marche.</li> <li>■ Retirez le(s) bloc(s)-piles surchauffé(s) de la souffleuse à neige et attendez que le(s) bloc(s)-piles refroidisse(nt) jusqu'à environ 67° C / 152° F. Réinstallez le(s) bloc(s)-piles et faites redémarrer la souffleuse à neige.</li> </ul>

PROBLEME	CAUSE	SOLUTION
La souffleuse à neige ne démarre pas.	<ul style="list-style-type: none"> <li>■ Problème non identifié.</li> </ul>	<ul style="list-style-type: none"> <li>■ Contactez le Centre de service après-vente d'EGO si des réparations sont nécessaires.</li> </ul>
Le moteur est en marche, mais la vis sans fin ne tourne pas.	<ul style="list-style-type: none"> <li>■ La goupille de cisaillement est cassée.</li> </ul>	<ul style="list-style-type: none"> <li>■ Remplacez la goupille de cisaillement en suivant les instructions de la section intitulée « <b>REPLACEMENT DE LA GOUPILLE DE CISAILLEMENT</b> » de ce mode d'emploi.</li> </ul>
Après son passage, la souffleuse laisse une couche de neige sur le sol.	<ul style="list-style-type: none"> <li>■ La barre de raclage est excessivement usée.</li> <li>■ Les patins sont réglés trop bas pour que la barre de raclage soit trop éloignée du sol.</li> </ul>	<ul style="list-style-type: none"> <li>■ Remplacez la barre de raclage en suivant les instructions de la section intitulée « <b>REPLACEMENT DE LA BARRE DE RACLAGE</b> » de ce mode d'emploi.</li> <li>■ Réglez la hauteur des patins en suivant les instructions de la section intitulée « <b>RÉGLAGE DE LA HAUTEUR DES PATINS</b> » de ce mode d'emploi.</li> </ul>
La souffleuse projette moins de neige.	<ul style="list-style-type: none"> <li>■ Les vis sans fin sont excessivement usées.</li> <li>■ La vitesse de rotation de la vis sans fin est peut-être trop faible.</li> </ul>	<ul style="list-style-type: none"> <li>■ Contactez le Centre de service après-vente d'EGO si des réparations sont nécessaires.</li> <li>■ Augmentez la vitesse de la vis sans fin.</li> </ul>
Les poignées ne sont pas chauffées.	<ul style="list-style-type: none"> <li>■ La fonction de chauffage s'éteint automatiquement lorsque la souffleuse à neige est inactive pendant 10 minutes.</li> </ul>	<ul style="list-style-type: none"> <li>■ Appuyez sur l'interrupteur de chauffage de la poignée pour relancer le chauffage.</li> </ul>

# GARANTIE LIMITÉE D'EGO

## CONDITIONS ET DURÉE DE LA POLITIQUE DE GARANTIE

Chervon North America, Inc. (« Chervon North America ») accorde la Garantie limitée suivante pour les produits EGO à l'acheteur initial de produits EGO.

La période de garantie détaillée de chaque produit EGO est indiquée en ligne à l'adresse <http://egopowerplus.com/warranty-policy>.

**Veillez contacter le Service à la clientèle d'EGO en téléphonant au 1-855-EGO-5656 (appel gratuit)** à tout moment en cas de questions, si vous voulez vous prévaloir de la garantie ou si vous souhaitez obtenir une version sur papier de la garantie.

## GARANTIE LIMITÉE DE SERVICE APRÈS-VENTE

Les produits EGO sont garantis contre tout défaut de matériel ou de fabrication à partir de la date d'achat au détail originale et pendant la période de garantie applicable.

Pour toute demande de garantie soumise correctement et dans les délais, si Chervon North America détermine qu'un produit est défectueux pendant la période de garantie, le produit sera réparé ou remplacé gratuitement, selon ce qui aura été déterminé par Chervon North America.

## COMMENT OBTENIR DE L'ASSISTANCE DANS LE CADRE DU SERVICE APRÈS-VENTE

Pour obtenir de l'assistance dans le cadre de la garantie (pendant la période de garantie applicable), veuillez contacter le service à la clientèle d'EGO en téléphonant au **1-855-EGO-5656** (appel gratuit). Lorsque vous demandez de l'assistance dans le cadre de la garantie, vous devez présenter le reçu de vente original daté. Un centre de service après-vente agréé sera sélectionné pour évaluer et réparer le produit défectueux conformément aux conditions de garantie énoncées. Lorsque vous apportez votre produit au centre de service après-vente agréé, il se peut qu'une petite caution vous soit demandée lors du dépôt de votre outil. Cette caution est remboursable lorsque le service de réparation est considéré comme étant couvert par la garantie.

## LIMITATIONS ET EXCLUSIONS SUPPLÉMENTAIRES

Cette garantie limitée ne s'applique qu'à l'acheteur initial d'un produit à un revendeur agréé EGO, et elle ne peut pas être cédée. Les produits EGO ne sont pas considérés comme défectueux et la présente garantie ne s'applique pas lorsque le défaut invoqué est imputable à une cause autre que les défauts définis ci-dessus. Cette garantie est nulle et non avenue si le produit a été utilisé à des fins de location. La présente garantie ne s'applique pas aux dommages causés par un accident, un abus, une mauvaise utilisation, une altération, une modification, une réparation non autorisée, un contact avec un liquide, un incendie, un tremblement de terre ou toute autre cause externe ; par une utilisation du produit en dehors des instructions, spécifications ou directives d'EGO ; ou par un manquement à l'entretien ou à la maintenance convenable du produit. Cette garantie ne s'applique pas non plus aux dommages esthétiques, y compris, mais sans s'y limiter, les rayures ou les bosses, ainsi qu'aux défauts causés par l'usure normale ou autrement dus au vieillissement normal du produit.

CETTE GARANTIE EXPRESSE EST DONNÉE EN LIEU ET PLACE DE TOUTE AUTRE GARANTIE, EXPRESSE OU IMPLICITE, Y COMPRIS, MAIS SANS S'Y LIMITER, TOUTE GARANTIE DE QUALITÉ MARCHANDE OU D'ADÉQUATION À UN USAGE PARTICULIER, QUI EST REJETÉE. Toute garantie implicite, y compris la garantie de qualité marchande ou d'adéquation à un usage particulier qui ne peut être rejetée en vertu de la loi de l'État ou de la province est limitée à la période de garantie applicable définie au début de cet article. Le seul et unique recours en rapport avec l'achat, l'installation, l'utilisation et/ou la performance des produits EGO est la réparation ou le remplacement du produit selon la décision de Chervon North America. La responsabilité maximale de Chervon North America ne dépassera en aucun cas le prix d'achat payé pour le produit. CHERVON NORTH AMERICA NE SERA PAS RESPONSABLE ENVERS L'UTILISATEUR OU TOUTE AUTRE PERSONNE DES DOMMAGES CONSÉCUTIFS, ACCIDENTELS, SPÉCIAUX, EXEMPLAIRES, INDIRECTS OU PUNITIFS RÉSULTANT DE L'UTILISATION DES PRODUITS, Y COMPRIS, MAIS SANS S'Y LIMITER, LES PRÉJUDICES CORPORELS, LA MORT, LES DOMMAGES MATÉRIELS, LA PERTE DE BÉNÉFICES OU TOUT AUTRE DOMMAGE ÉCONOMIQUE. Cette garantie vous confère des garanties juridiques particulières, et vous pouvez aussi avoir d'autres droits, qui varient selon l'État ou la province. Étant donné que certains États et certaines provinces ne permettent pas de limitations quant à la durée d'une garantie implicite ou ne permettent pas l'exclusion ou la limitation des dommages indirects ou secondaires, ou le délai de prescription pour intenter certaines actions, il est possible que les limitations contenues aux présentes ne s'appliquent pas à consommateurs dans ces États ou provinces.



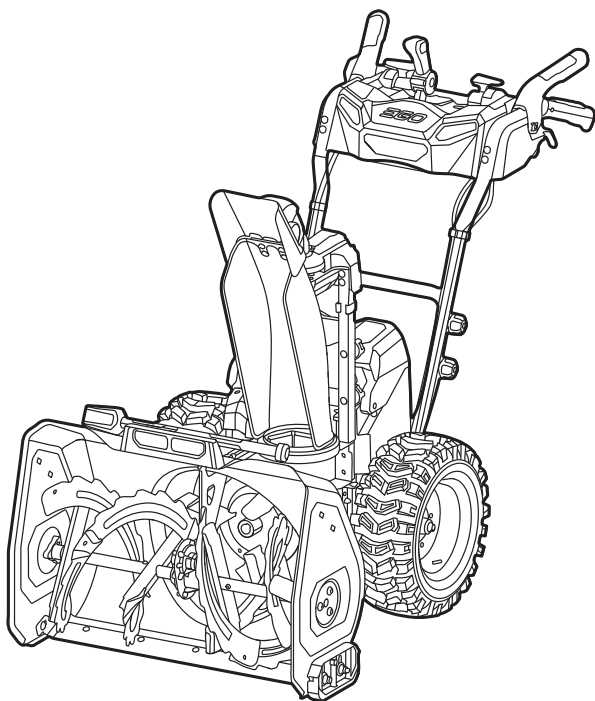
Cette garantie est soumise au droit du Michigan et doit être interprétée conformément au droit du Michigan sans tenir compte des principes de conflits de lois. Aucune action en justice ne pourra être intentée contre Chervon North America si elle n'est pas déposée dans un délai d'un (1) an après que le fondement de cette action en justice aura été connu, ou qu'il aurait dû l'être si une diligence raisonnable avait été exercée. Toute action non intentée dans les délais est réputée abandonnée.

Pour le service à la clientèle, contactez-nous en téléphonant au numéro suivant (appel gratuit) : **1-855-EGO-5656** ou **EGOPOWERPLUS.COM**.

EGO Customer Service,  
769 Seward Ave. NW, Suite 102,  
Grand Rapids, Michigan 49504.

# EGO™

POWER<sup>+</sup> SNOW BLOWER



MANUAL DE FUNCIONAMIENTO

## SOPLADOR DE NIEVE INALÁMBRICO DE ION LITIO DE 56 V

NÚMERO DE MODELO SNT2800/SNT2800-FC

**⚠ ADVERTENCIA:** Para reducir el riesgo de lesiones, el usuario debe leer y comprender el Manual del usuario antes de usar este producto. Guarde estas instrucciones para referencia futura.

## ÍNDICE

Símbolos de seguridad .....	94
Instrucciones de seguridad .....	95-96
Prácticas de utilización segura para el soplador de nieve de empuje.	96-101
Introducción .....	102
Especificaciones .....	102
Accesorios .....	103
Descripción .....	104-107
Ensamblaje .....	108-110
Funcionamiento .....	111-127
Mantenimiento .....	128-133
Solución de problemas .....	134-136
Garantía limitada de EGO .....	137-139



## LEA TODAS LAS INSTRUCCIONES



**LEA Y COMPRENDA  
EL MANUAL DEL OPERADOR**

**⚠ ADVERTENCIA:** Parte del polvo que se crea al usar herramientas eléctricas contiene sustancias químicas que el estado de California ha identificado como causantes de cáncer y defectos congénitos u otros daños en el aparato reproductivo. Algunos ejemplos de estos químicos son:

- Plomo de pinturas a base de plomo.
- Sílice cristalina de ladrillos, cemento y otros productos de mampostería.
- Arsénico y cromo de maderas tratadas químicamente.

El riesgo por estas exposiciones varía según la frecuencia con la que realice este tipo de trabajo. Medidas para reducir la exposición a estos químicos: trabaje en un área bien ventilada y con el equipo de seguridad aprobado, como mascarillas antipolvo especialmente diseñadas para filtrar partículas microscópicas.

## SÍMBOLOS DE SEGURIDAD

Estos símbolos de seguridad se utilizan para advertirle sobre los posibles peligros. Los símbolos de seguridad y las explicaciones que los acompañan merecen cuidadosa atención y comprensión. Por sí solos, los símbolos de advertencia no eliminan los peligros. Las instrucciones y advertencias que proporcionan no reemplazan a las medidas adecuadas de prevención de accidentes.

**⚠ ADVERTENCIA:** Antes de utilizar esta herramienta, asegúrese de leer y comprender todas las instrucciones de seguridad en este Manual del usuario, incluidos todos los símbolos de alerta de seguridad como “**PELIGRO**”, “**ADVERTENCIA**” y “**PRECAUCIÓN**”. Si no se siguen todas las instrucciones que se indican a continuación, se pueden producir descargas eléctricas, incendios o lesiones personales graves.

### SIGNIFICADO DEL SÍMBOLO

**⚠ SÍMBOLO DE ADVERTENCIA DE SEGURIDAD:** indica **PELIGRO**, **ADVERTENCIA** o **PRECAUCIÓN**. Puede usarse junto con otros símbolos o pictogramas.



**⚠ ADVERTENCIA:** El funcionamiento de cualquier herramienta eléctrica puede causar que se disparen objetos extraños hacia sus ojos, lo que puede resultar en daños graves en los ojos. Antes de comenzar a operar una herramienta eléctrica, use siempre gafas protectoras o anteojos de seguridad con protección lateral y un protector facial si es necesario. Le recomendamos usar una máscara de seguridad de visión amplia sobre anteojos o anteojos de seguridad estándar con protección lateral. Use siempre protección ocular con la marca de cumplimiento de la norma ANSI Z87.1.

# INSTRUCCIONES DE SEGURIDAD

Esta página presenta y describe los símbolos de seguridad que pueden aparecer en este producto. Lea, comprenda y siga todas las instrucciones que figuran en la máquina antes de intentar ensamblarla y operarla.

	Alerta de seguridad	Precauciones que involucran su seguridad.
	Protección de los ojos	Use siempre anteojos de seguridad o gafas de seguridad con escudos laterales y una careta completa cuando utilice este producto.
	Lisez le mode d'emploi, et assurez-vous que vous le comprenez.	Para reducir el riesgo de lesiones, el usuario debe leer y comprender el Manual del operador antes de utilizar este producto.
	PELIGRO: mantenga las manos alejadas del impulsor	No utilice las manos para desobstruir el conducto de descarga.
	Mantenga los pies fuera del impulsor	Mantenga los pies alejados del impulsor rotatorio
	PELIGRO: mantenga las manos y los pies alejados	Para reducir el riesgo de lesiones, mantenga las manos y los pies alejados de las piezas que rotan. No utilice la unidad a menos que el conducto de descarga este en la posición correcta. Si dicho conducto está dañado, reemplácelo de inmediato.
	Símbolos de reciclaje	Este producto utiliza baterías de iones de litio. Las leyes locales, estatales o federales podrían prohibir la eliminación de baterías en basureros comunes. Consulte con la autoridad reguladora de desechos local para obtener información sobre las opciones de reciclaje o eliminación disponibles.

IPX4	Indice de protection pour la penetration (PP)	Clasifica el grado de protección proporcionado por un recinto cerrado para equipos eléctricos.
V	Voltio	Tensión
— — —	Corriente continua	Tipo o característica de la corriente
mm	Milímetro	Largo o tamaño
in.	Pulgada	Largo o tamaño
m	Metro	Largo o tamaño
ft	pies	Largo o tamaño
kg	Kilogramos	Peso
lbs	Libras	Peso
PSI	Libras por pulgada cuadrada	Intensidad de presión
kPa	Kilopascal	Intensidad de presión
°F	Grados Fahrenheit	Temperatura
°C	Grados Celsius	Temperatura

**⚠ ADVERTENCIA:** Para garantizar la seguridad y la confiabilidad, todas las reparaciones deberán ser realizadas por un técnico de servicio calificado.

## PRÁCTICAS DE UTILIZACIÓN SEGURA PARA EL SOPLADOR DE NIEVE DE EMPUJE

**⚠ PELIGRO:** Este soplador de nieve es capaz de amputar las manos y los pies y lanzar objetos al aire. Si no se siguen las siguientes instrucciones de seguridad, el resultado podría ser lesiones graves.

### PARA TODOS LOS SOPLADORES DE NIEVE

- No utilice el soplador de nieve en una superficie con grava, a menos que el soplador de nieve esté ajustado para una superficie de ese tipo de acuerdo con el manual del operador.
- Mantenga alejados a los niños: todos los visitantes se deberán mantener a una distancia segura del área de trabajo.

- Vístase adecuadamente: no use ropa holgada ni joyas. Pueden quedar atrapadas en las piezas móviles.
- Use botas de goma cuando utilice el soplador de nieve.
- Mantenga las manos alejadas de las piezas móviles.
- Mantenga los protectores instalados en la posición correcta y en buenas condiciones de funcionamiento.
- No fuerce el soplador de nieve: brindará un rendimiento mejor y más seguro a la velocidad para la que fue diseñada.
- No intente alcanzar demasiado lejos: mantenga un apoyo de los pies y un equilibrio adecuados en todo momento.
- Si el soplador de nieve golpea un objeto extraño, siga estos pasos:
  - 1) Pare el soplador de nieve. Suelte el interruptor.
  - 2) Retire el paquete o los paquetes de batería.
  - 3) Inspeccione la unidad para comprobar si tiene algún daño.
  - 4) Repare cualquier daño antes de rearrancar y utilizar el soplador de nieve.
- Almacene los sopladores de nieve inactivos en un lugar interior: cuando no se estén utilizando, los sopladores de nieve se deberán almacenar en un lugar interior, seco y cerrado con llave, fuera del alcance de los niños.
- Realice mantenimiento de los sopladores de nieve con cuidado: siguiendo las instrucciones de lubricación y cambio de accesorios.

## CAPACITACIÓN

- Lea, entienda y siga todas las instrucciones ubicadas en la máquina y contenidas en el manual (o los manuales) antes de utilizar esta unidad. Esté bien familiarizado con los controles y el uso correcto del equipo. Sepa cómo parar la unidad y desacoplar los controles rápidamente.
- No deje nunca que los niños utilicen el equipo. No deje nunca que los adultos utilicen el equipo sin haber recibido capacitación adecuada.
- Mantenga el área de utilización despejada de todas las personas, en particular de niños pequeños.
- Tenga precaución para evitar resbalar o caerse, especialmente cuando utilice el soplador de nieve en reversa.

## PREPARACIÓN

- Inspeccione minuciosamente el área en la que se vaya a utilizar el quipo y retire todos los tapetes de entrada, trineos, tablas, cables y otros objetos extraños.
- No utilice el soplador de nieve sin tener puestas prendas de invierno adecuadas. Evite la ropa holgada que puede quedar atrapada en las piezas móviles. Use calzado que mejore el apoyo de los pies en superficies resbalosas.
- No intente nunca hacer ajustes mientras el motor esté en funcionamiento (excepto cuando esté recomendado específicamente por el fabricante).
- Use siempre anteojos de seguridad o escudos oculares durante la utilización del soplador de nieve o mientras realice un ajuste o una reparación, para proteger los ojos contra los objetos extraños que puedan ser lanzados al aire por el soplador de nieve.

## UTILIZACIÓN

- Prevenga los arranques accidentales. Asegúrese de que el interruptor esté en la posición de apagado antes de realizar la conexión al paquete de batería, levantar el soplador de nieve o transportarlo. Transportar el soplador de nieve con el dedo en el interruptor o suministrar corriente al soplador de nieve cuando tenga el interruptor en la posición de encendido invita a que se produzcan accidentes.
- No ponga las manos ni los pies cerca o debajo de las piezas rotatorias. Manténgase alejado de la abertura del descargador en todo momento.
- Tenga suma precaución cuando utilice la unidad sobre o cruzando entradas de garaje, caminos o carreteras de grava. Permanezca alerta a los obstáculos ocultos o al tráfico.
- Después de golpear un objeto extraño, pare el motor, retire el paquete (los paquetes) de batería, inspeccione minuciosamente el soplador de nieve para determinar si tiene daños y repare los daños antes de rearmar y utilizar el soplador de nieve.
- Si el soplador de nieve comienza a vibrar anormalmente, pare el motor y realice una comprobación inmediata para localizar la causa. Generalmente, la vibración es una advertencia de problemas.
- Pare el motor siempre que deje la posición de utilización, antes de desobstruir la carcasa del ensamblaje de la barrena o el conducto de descarga y cuando realice cualquier reparación, ajuste o inspección.
- Cuando despeje, repare o inspeccione el soplador de nieve, pare el motor y

asegúrese de que el ensamblaje de la barrena y todas las piezas móviles se hayan detenido. Retire el paquete (los paquetes) de batería para impedir que alguien arranque accidentalmente el motor.

- Tenga suma precaución cuando utilice la unidad en pendientes.
- No utilice nunca el soplador de nieve sin los protectores adecuados y otros dispositivos protectores de seguridad instalados en la posición adecuada y funcionando correctamente.
- No dirija nunca la descarga hacia personas o áreas donde se puedan producir daños materiales. Mantenga alejados a los niños y a otras personas.
- No sobrecargue la capacidad del soplador de nieve intentando despejar la nieve a un ritmo demasiado rápido.
- Desactive la alimentación eléctrica al ensamblaje de la barrena cuando el soplador de nieve esté siendo transportado o no esté siendo utilizado.
- Utilice solo aditamentos y accesorios aprobados por el fabricante del soplador de nieve.
- No utilice nunca el soplador de nieve sin buena visibilidad o luz. Esté siempre seguro del apoyo de los pies y mantenga un agarre firme en las agarraderas. Camine; no corra nunca.
- No exponga un paquete de batería o un soplador de nieve a un fuego o a una temperatura excesiva. Es posible que la exposición a un fuego o a una temperatura superior a 265 °F (130 °C) cause una explosión.
- Desconecte el paquete de batería del aparato eléctrico antes de hacer cualquier ajuste, cambiar accesorios o almacenar el aparato eléctrico. Dichas medidas preventivas de seguridad reducen el riesgo de arrancar accidentalmente el aparato eléctrico.
- Recargue las baterías solo con el cargador especificado por el fabricante. Es posible que un cargador que sea adecuado para un tipo de paquete de batería cree un riesgo de incendio cuando se utilice con otro paquete de batería.
- Utilice el soplador de nieve solo con paquetes de batería designados específicamente. Es posible que el uso de cualquier otro paquete de batería cree un riesgo de lesiones e incendio.
- Cuando el paquete de batería no se esté utilizando, manténgalo alejado de otros objetos metálicos, tales como clips sujetapapeles, monedas, llaves, clavos, tornillos u otros objetos metálicos pequeños, que puedan hacer una conexión de un terminal al otro. Si se cortocircuitan juntos los terminales de la batería, es posible que se causen quemaduras o un incendio.

- En condiciones abusivas es posible que se expulse líquido de la batería; evite el contacto. Si se produce contacto accidentalmente, enjuáguese con agua. Si el líquido entra en contacto con los ojos, obtenga además ayuda médica. Es posible que el líquido expulsado de la batería cause irritación o quemaduras.
- No utilice un paquete de batería o un aparato eléctrico que estén dañados o modificados. Es posible que las baterías dañadas o modificadas exhiban un comportamiento imprevisible que cause incendio, explosión o riesgo de lesiones.
- Siga todas las instrucciones de carga y no cargue el paquete de batería ni el aparato eléctrico fuera del intervalo de temperatura especificado en las instrucciones. Es posible que la realización de la carga de manera inadecuada o a temperaturas que estén fuera del intervalo especificado dañe la batería y aumente el riesgo de incendio.
- Haga que el servicio de ajustes y reparaciones sea realizado por un técnico de reparaciones calificado que utilice únicamente piezas de repuesto idénticas. Esto garantizará que se mantenga la seguridad de la herramienta eléctrica.
- No modifique ni intente reparar el soplador de nieve o el paquete de batería (según sea aplicable), excepto tal y como se indique en las instrucciones de uso y cuidado.
- **Utilice la unidad solo con los paquetes de batería y los cargadores que se indican en la lista que aparece a continuación:**

PAQUETE DE BATERÍA	CARGADOR
BA1400, BA1400-FC, BA2800, BA2800-FC, BA4200, BA4200-FC, BA1400T, BA1400T-FC, BA2242T, BA2242T-FC, BA2800T, BA2800T-FC, BA4200T, BA4200T-FC, BA3360T, BA3360T-FC, BA5600T, BA5600T-FC, BA6720T, BA6720T-FC	CH2100, CH2100-FC, CH3200, CH3200-FC, CH5500, CH5500-FC, CH2800D, CH2800D-FC, CH7000, CH7000-FC

**AVISO:** Para lograr el mejor rendimiento y un tiempo de funcionamiento máximo, se recomienda utilizar dos paquetes de batería de 5,0 Ah o más Ah.

## DESPEJE DE UN CONDUCTO DE DESCARGA OBSTRUIDO

El contacto de la mano con el ensamblaje de la barrena que rota dentro del conducto de descarga es la causa más común de lesiones asociadas con los sopladores de nieve. No use nunca la mano para limpiar el conducto de descarga.

Para despejar el conducto de descarga:



### ■ ¡APAGUE EL MOTOR!

- Retire el paquete (los paquetes) de batería del soplador de nieve.
- Espere 10 segundos para asegurarse de que la barrena ha dejado de rotar.
- Utilice siempre una herramienta de limpieza, no las manos. Utilice siempre la herramienta de limpieza del conducto de descarga que está acoplada a la máquina como accesorio, no use la mano.

## MANTENIMIENTO Y ALMACENAMIENTO

- Compruebe el apriete de todos los pernos o sujetadores a intervalos frecuentes, para asegurarse de que el equipo esté en condiciones de funcionamiento seguras.
- Consulte siempre el manual del operador para obtener detalles importantes si el soplador de nieve se va a almacenar por un período de tiempo prolongado.
- Mantenga o reemplace las etiquetas de seguridad y de instrucciones, según sea necesario.
- Tenga en funcionamiento el soplador de nieve durante unos minutos después de soplar nieve para prevenir la congelación del ensamblaje de la barrena.

**GUARDE ESTAS INSTRUCCIONES.** Consúltelas frecuentemente y utilícelas para instruir a otras personas que puedan utilizar este soplador de nieve. Si le presta este soplador de nieve a alguien, préstele también estas instrucciones para prevenir el uso incorrecto del producto y posibles lesiones.

## INTRODUCCIÓN


Felicitaciones por la compra de su soplador de nieve de nueva generación con baterías de litio ion de 56 voltios. Ha sido concebido, diseñado y fabricado para brindarle una confiabilidad y un rendimiento máximos.

Si experimenta algún problema que no puede solucionar fácilmente, llame al 1-855-EGO-5656 para ponerse en contacto con el Centro de Servicio al Cliente de EGO.

Este manual contiene información importante para ensamblar, usar y efectuar el mantenimiento del soplador de nieve de forma segura. Léalo atentamente antes de usar la herramienta. Téngalo a mano para poder consultarlo cuando sea necesario.

NÚMERO DE SERIE \_\_\_\_\_ FECHA DE COMPRA \_\_\_\_\_  
LOS NÚMEROS DE MODELO Y DE SERIE SE ENCUENTRAN EN UNA ETIQUETA UBICADA EN LA CARCASA DEL ENSAMBLE DE BARRENA.  
ANOTE EL NÚMERO DE SERIE Y LA FECHA DE COMPRA Y GUARDE ESTOS DATOS EN UN LUGAR SEGURO PARA CONSULTARLOS EN CASO DE QUE SEA NECESARIO. CONSERVE EL RECIBO DE VENTA.

## ESPECIFICACIONES

Tensión	56V 
Anchura de despeje	28 pulgadas (710 mm)
Altura de la entrada	21 pulgadas (530 mm)
Distancia de lanzamiento	Hasta 60 pies (18,3 m)
Grado de protección contra la penetración	IPX4* (protección contra las salpicaduras de agua)
Tamaño de las ruedas	16 pulgadas (406 mm)
Presión de las llantas frías	16 PSI (96,5 kPa)
Temperatura de funcionamiento recomendada	-4 – 50 °F (-20 – 10 °C)
Temperatura de almacenamiento recomendada	-4 – 158 °F (-20 – 70 °C)
Peso (sin paquete de batería)	181 lb (82 kg)

\* **NOTA:** La clasificación IPX4 es válida cuando el compartimento de la batería está cerrado correctamente.

## ACCESORIOS

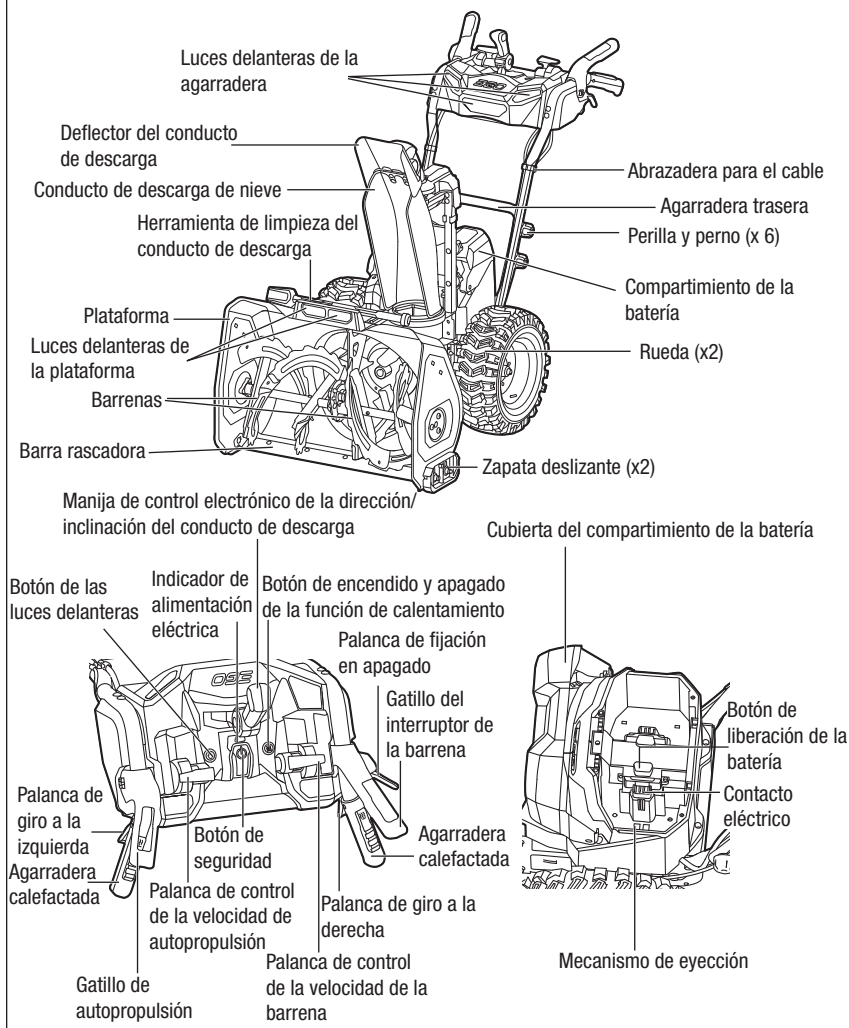
**⚠ ADVERTENCIA:** Les pièces suivantes sont sujettes à l'usure dans des conditions d'utilisation normale. Utilisez seulement les pièces de rechange identiques énumérées ci-dessous. L'utilisation de pièces qui ne respectent pas les caractéristiques de l'équipement d'origine peut entraîner un mauvais rendement et compromettre la sécurité de la souffleuse.

NOMBRE DE LA PIEZA	NÚMERO DEL MODELO
Perno de cizalla	ASP2400
Conjunto de perno de cizalla	ASP2400D
Barra rascadora	ASS2800
Zapatas deslizantes (pareja) (lado metálico + lado de plástico)	AKS2800D
Zapatas deslizantes (pareja) (lados plástico)	AKS2400D
Herramienta de limpieza del conducto de descarga	ACT2400
Cortador de deriva (pareja)	ADC2400

## DESCRIPCIÓN

### CONOZCA SU SOPLADOR DE NIEVE (Fig. 1)

1



**⚠ ADVERTENCIA:** El uso seguro de este producto requiere una comprensión de la información que se encuentra en el producto y en este manual de instrucciones, así como conocimientos del proyecto que usted esté intentando. Antes de utilizar este producto, familiarícese con todas las funciones operativas y reglas de seguridad.

### **Botón de seguridad (encendido/apagado)**

El botón de seguridad se debe presionar hacia abajo antes de encender la rotación de la barrena, la autopropulsión, la función de calentamiento de la agarradera, las luces delanteras y el ajuste del conducto de descarga/deflector.

**NOTE:** No es necesario presionar hacia abajo el botón de seguridad si el indicador de alimentación eléctrica muestra un verde continuo, lo cual significa que el botón de seguridad ha sido presionado anteriormente.

**⚠ ADVERTENCIA:** El botón de seguridad es un dispositivo de seguridad. No intente nunca anular su funcionamiento.

### **Gatillo del interruptor de la barrena**

ENCIENDE y APAGA el motor de la barrena.

### **Palanca de fijación en apagado**

Ayuda a prevenir la activación accidental y no autorizada del gatillo del interruptor de la barrena. Se debe presionar antes de que el gatillo del interruptor de la barrena pueda ser activado.

### **Palanca de control de la velocidad de la barrena**

Ajusta la velocidad de la barrena, que determina la distancia de lanzamiento.

### **Gatillo de autopropulsión**

ENCIENDE y APAGA la función de autopropulsión.

### **Palanca de control de la velocidad de autopropulsión**

Aumenta o reduce la velocidad de autopropulsión.

## **Manija de control electrónico de la dirección/inclinación del conducto de descarga**

- Mueva la manija hacia la izquierda o hacia la derecha para rotar el conducto de descarga con el fin de dirigir la nieve descargada según se desee. La manija permite que el conducto de descarga rote desde 100° hacia la izquierda hasta 100° hacia la derecha.
- Mueva la manija hacia delante o hacia detrás para ajustar el ángulo del deflector del conducto de descarga, el cual determina la inclinación del chorro de descarga y, en parte, la distancia de lanzamiento.

## **Agarraderas calefactadas**

El área de agarre se puede calentar presionando el botón de encendido y apagado de la función de calentamiento, para proporcionar calor para las manos del operador.

## **Botón de encendido y apagado del calentamiento**

ENCIENDE y APAGA la función de calentamiento de la agarradera.

## **Luces delanteras de la plataforma y de la agarradera**

Estas luces LED proporcionan una luz brillante para aumentar la visibilidad.

## **Botón de las luces delanteras**

ENCIENDE y APAGA las luces delanteras de la plataforma y de la agarradera.

## **Indicador de alimentación eléctrica**

Indica el estado del soplador de nieve y del paquete de batería.

## **Palanca de giro a la derecha/izquierda**

Desacopla la rueda derecha/izquierda del motor de autopropulsión para ayudar a hacer un giro a la derecha/izquierda cuando el soplador de nieve está en el modo de autopropulsión.

## **Barra rascadora**

Retira la última porción de nieve de la superficie que se esté limpiando.

### **Zapata deslizante**

Aumenta la capacidad para maniobrar el soplador de nieve sobre la nieve y ajusta la distancia entre el rascador de nieve y el piso. Seleccione el lado metálico para superficies desiguales o el lado antimarcas para otras superficies.

### **Botón de liberación de la batería**

Presione este botón para liberar rápidamente la batería.

### **PEAK POWER™**

Esta tecnología combina la energía de hasta dos baterías EGO ARC Lithium™ de 56 V para producir un tiempo de funcionamiento más prolongado y un consumo eficiente de energía.

## ENSAMBLAJE

**⚠ ADVERTENCIA:** Si hay piezas dañadas o faltan piezas, no utilice el producto hasta que las reemplace. Usar este producto con piezas dañadas o faltantes podría provocar lesiones personales graves.

**⚠ ADVERTENCIA:** No intente modificar este producto ni crear accesorios no recomendados para utilizarse con este soplador. Cualquiera de dichas alteraciones o modificaciones constituye un uso incorrecto y podría provocar una situación peligrosa que cause posibles lesiones corporales graves.

**⚠ ADVERTENCIA:** Para prevenir arranques accidentales que podrían causar lesiones corporales graves, retire siempre el paquete o los paquetes de batería de la herramienta cuando vaya a ensamblar piezas.

## RETIRO DEL EMPAQUE

Este producto requiere ensamblaje.

- Utilice dos personas para agarrar la manija trasera y la parte delantera del producto al mismo tiempo y levantar cuidadosamente la herramienta para sacarla de la caja de cartón. Saque todos los demás accesorios de la caja de cartón. Asegúrese de que todos los artículos indicados en la lista de empaque estén incluidos.



**⚠ PRECAUCIÓN:** Objeto pesado. Se requiere levantarlo en equipo. Se necesitan al menos dos personas para levantar este soplador de nieve para sacarlo del embalaje.

**⚠ ADVERTENCIA:** No utilice este producto si cualquiera de las piezas de la lista de empaque ya está ensamblada en el producto cuando lo desempaque. Las piezas incluidas en esta lista no son ensambladas en el producto por el fabricante y requieren instalación por el cliente. El uso de un producto que pueda haber sido ensamblado incorrectamente podría causar lesiones corporales graves.

- Inspeccione cuidadosamente la herramienta para asegurarse de que no se produjo ninguna ruptura o daño durante su envío.
- No deseche el material de embalaje hasta que haya inspeccionado cuidadosamente y utilizado satisfactoriamente la herramienta.
- Si hay piezas faltantes o dañadas, devuelva este producto al lugar donde lo compró.



## LISTA DE EMPAQUETAMIENTO

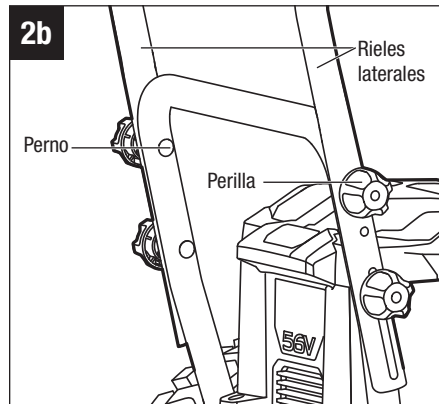
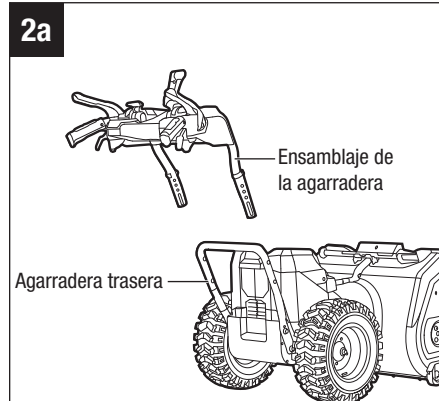
NOMBRE DE LA PIEZA	CANTIDAD
Soplador de nieve	1
Ensamblaje de la agarradera	1
Ensamblaje del conducto de descarga de nieve	1
Conjunto de perilla y perno	6
Herramienta de limpieza del conducto de descarga	1
Perno de cizalla	2
Manual del operador	1

### INSTALACIÓN DEL ENSAMBLAJE DE LA AGARRADERA (Fig. 2)

**AVISO:** El ensamblaje de la agarradera requiere montaje antes de utilizar el soplador de nieve (Fig. 2a).

**AVISO:** Compruebe los cables de alambre y asegúrese de que no estén torcidos antes de instalar el ensamblaje de la agarradera. De lo contrario, es posible que los cables de alambre se dañen debido a sobreestiramiento.

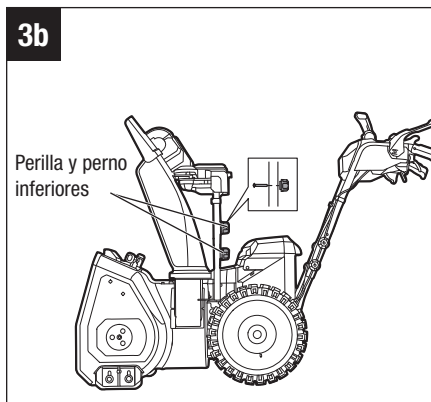
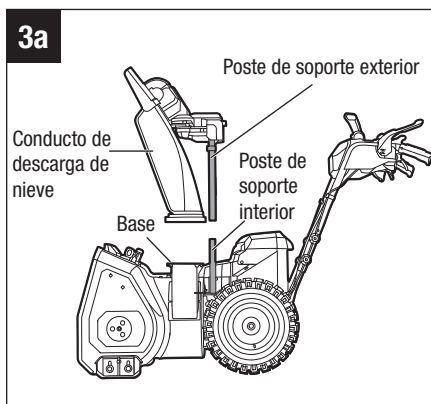
Levante el ensamblaje de la agarradera, alinee los agujeros ubicados en los rieles laterales con los agujeros ubicados en la agarradera trasera, seleccione la altura preferida de la agarradera y luego fije el ensamblaje de la agarradera con los 4 pernos y las 4 perillas (Fig. 2b). Sírvase consultar la sección “**AJUSTE DE LA ALTURA DE LA AGARRADERA**” para obtener instrucciones de ajuste detalladas.



## INSTALACIÓN DEL ENSAMBLAJE DEL CONDUCTO DE DESCARGA DE NIEVE (Fig. 3)

**⚠ ADVERTENCIA:** No utilice nunca el soplador de nieve sin tener el conducto de descarga completo en la posición correcta.

1. Levante el ensamblaje del conducto de descarga de nieve y alinee el poste de soporte exterior con el poste de soporte interior (Fig. 3a).
2. Deslice el poste de soporte exterior hacia abajo hasta que el conducto de descarga de nieve esté completamente asentado sobre la base.
3. Fije el ensamblaje del conducto de descarga de nieve con dos perillas y dos pernos (Fig. 3b).



# FUNCIONAMIENTO

**⚠ ADVERTENCIA:** No permita que familiarizarse con este producto lo vuelva imprudente. Recuerde que un descuido de una fracción de segundo es suficiente para ocasionar lesiones graves.

**⚠ ADVERTENCIA:** Use siempre lentes de protección que cumplan con la norma ANSI Z87.1. De lo contrario, podría provocar que se disparen objetos hacia sus ojos y otras posibles lesiones graves.

**⚠ ADVERTENCIA:** No use ningún aditamento ni accesorio que no haya sido recomendado por el fabricante de este producto. El uso de aditamentos o accesorios diferentes a los recomendados podría provocar lesiones graves.

## APLICACIONES

Puede usar este producto para los fines que se indican a continuación.

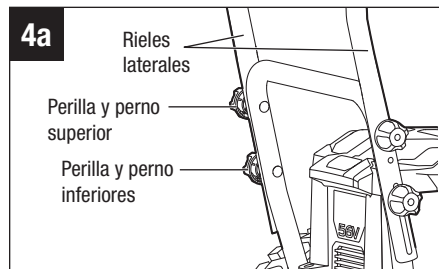
- Retirar nieve de áreas tales como entradas de garaje y banquetas de la calle.

## AJUSTE DE LA ALTURA DE LA AGARRADERA (Fig. 4)

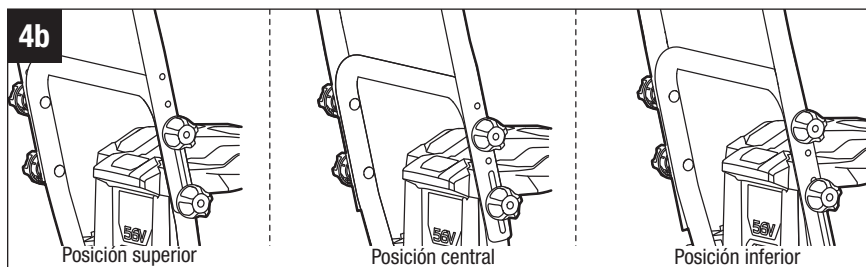
**⚠ ADVERTENCIA:** Para prevenir arranques accidentales que podrían causar lesiones corporales graves, retire siempre el paquete (los paquetes) de batería de la máquina cuando haga ajustes.

El ensamblaje de la agarradera se puede ajustar a tres alturas diferentes. Escoja una posición de utilización cómoda de acuerdo con su estatura.

1. Afloje las dos perillas superiores y jale hacia fuera los dos pernos. Guárdelos para realizar el reensamblaje.
2. Afloje las dos perillas inferiores, pero no las retire de los rieles laterales durante el ajuste de la altura de la agarradera.
3. Suba o baje la agarradera y seleccione la altura apropiada determinada por uno de los 3 conjuntos de agujeros ubicados en los rieles laterales (Fig. 4a).
4. Una vez que haya llegado al conjunto adecuado de agujeros, inserte los pernos superiores y apriete las perillas superiores.



5. Apriete las dos perillas de fijación inferiores para fijar los rieles laterales a la agarradera trasera (Fig. 4b).



## INSTALACIÓN/DESINSTALACIÓN DEL PAQUETE DE BATERÍA (Fig. 5)

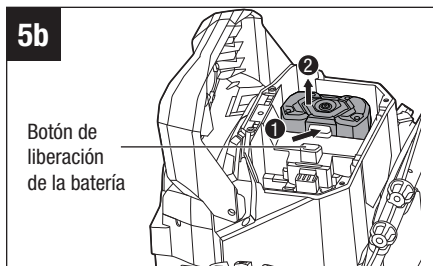
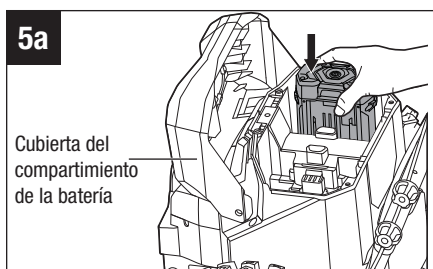
¡Cargue el paquete (los paquetes) de batería antes del primer uso!

**NOTA:** El soplador de nieve puede ser alimentado por uno o dos paquetes de batería. La utilización de dos paquetes de batería le da a usted un tiempo de funcionamiento más prolongado y un consumo eficiente de energía gestionado por la tecnología PEAK POWER™. Para obtener el mejor rendimiento, recomendamos utilizar dos paquetes de batería de 5,0 Ah o más Ah.

Cuando la unidad no se esté utilizando, los paquetes de batería de 56 V se deberán almacenar en un área cerrada donde la temperatura no descienda por debajo de -4 °F (-20 °C). La temperatura de carga óptima es entre 41 °F (5 °C) y 104 °F (40 °C).

**⚠ ADVERTENCIA:** Si cualquiera de las piezas está rota o falta, no intente instalar los paquetes de batería en el soplador de nieve ni utilizar el soplador de nieve hasta que las piezas rotas o que falten hayan sido reemplazadas. Si no se hace así, el resultado podría ser lesiones graves.

1. La cubierta del compartimento de la batería está embisagrada. Suba dicha cubierta levantando su parte delantera.



2. El soplador de nieve cuenta con un compartimiento de batería dual, el cual permite el uso de dos paquetes de batería al mismo tiempo.
3. Alinee los surcos ubicados en el paquete de batería con las costillas en relieve ubicadas en uno de los compartimientos de batería y luego inserte el paquete de batería en el compartimiento (Fig. 5a).
4. Empuje el paquete de batería hasta que oiga un “clic”. El botón de liberación de la batería saltará hacia arriba por resorte cuando el paquete de batería esté firmemente sujeto.

**AVISO:** Asegúrese de que el pestillo ubicado en el compartimiento (los compartimientos) de la batería se acople a presión en la posición correcta y que el paquete o los paquetes de batería estén firmemente sujetos a la unidad antes de comenzar la utilización.

5. Instale el otro paquete de batería en el otro compartimiento de la batería de la misma manera.
6. **Para desinstalar el paquete de batería**, presione el botón de liberación de la batería para liberar el paquete de batería y luego levántelo hacia fuera del compartimiento (Fig. 5b).
7. Cierre la cubierta del compartimiento de la batería.

## ARRANQUE/PARADA DEL SOPLADOR DE NIEVE

**⚠ ADVERTENCIA:** No intente anular el funcionamiento del botón de seguridad.

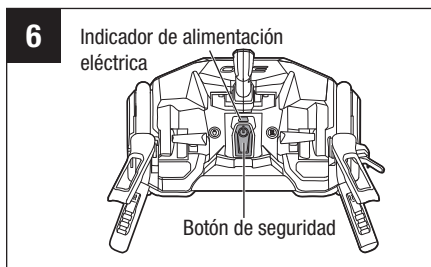
**⚠ ADVERTENCIA:** La utilización de un soplador de nieve puede hacer que se lancen objetos extraños hacia los ojos del operador o de otras personas, lo cual puede dañar gravemente los ojos. Use siempre anteojos de seguridad mientras esté utilizando el soplador de nieve o cuando esté realizando cualquier ajuste o reparación en el soplador de nieve.

**⚠ ADVERTENCIA:** Asegúrese de que otras personas y los animales domésticos permanezcan al menos a 100 pies (30 m) de distancia del soplador de nieve cuando esté en uso.

**⚠ ADVERTENCIA:** La barrena continuará rotando durante unos cuantos segundos después de apagar el soplador de nieve. Permita que la barrena deje de rotar antes de arrancarla de nuevo.

## Para encender el soplador de nieve (Fig. 6)

1. Asegúrese de que el ensamblaje de la agarradera esté firmemente ajustado a la altura adecuada y que el ensamblaje del conducto de descarga lateral esté montado correctamente.
2. Instale el paquete (los paquetes) de batería en el soplador de nieve y cierre la cubierta de la batería. Consulte el capítulo "INSTALACIÓN/DESINSTALACIÓN DEL PAQUETE DE BATERÍA".
3. Presione el botón de seguridad y el indicador de alimentación eléctrica se iluminará en verde continuo, lo cual significa que el soplador de nieve está listo para las funciones electrónicas que incluyen rotación de la barrena, autopropulsión, función de calentamiento de la agarradera, luces delanteras y ajuste del conducto de descarga/deflector. Consulte las instrucciones detalladas que se aparecen a continuación.



**NOTA:** El soplador de nieve se arranca presionando PRIMERO el botón de seguridad, seguido por la activación de una de las funciones electrónicas. El orden inverso no activará ninguna de estas funciones.

**NOTA:** Es posible que el soplador de nieve no arranque correctamente si la temperatura de la batería es de  $-4^{\circ}\text{F}$  ( $-20^{\circ}\text{C}$ ) o menos. Si la unidad no arranca, retire la batería del soplador de nieve y deje que se caliente en un lugar interior durante 10 minutos o más tiempo. Reinstale la batería e inténtelo de nuevo.

## Para apagar el soplador de nieve

El soplador de nieve no se puede apagar cuando la función de barrena o de autopropulsión esté encendida. En el caso de que las funciones de barrena y de autopropulsión estén apagadas, hay dos maneras de apagar el soplador de nieve:

- Presione manualmente el botón de seguridad hasta que el indicador de alimentación eléctrica se apague, lo cual significa que el soplador de nieve se ha apagado.
- Alternativamente, el soplador de nieve se apagará automáticamente en las siguientes situaciones:
  - a Cuando no haya ninguna función electrónica activa, el soplador de nieve se apagará automáticamente después de 5 minutos de inactividad.

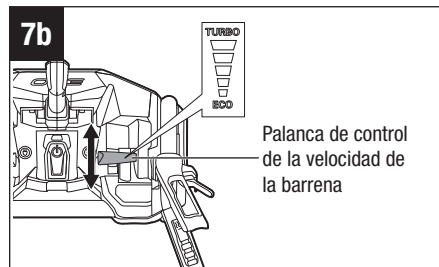
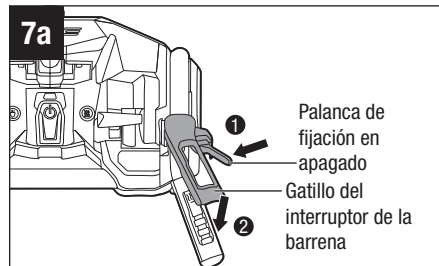
- b Cuando las luces delanteras estén encendidas y no haya ninguna otra función electrónica activa, las luces delanteras se apagarán automáticamente después de 5 minutos y el soplador de nieve se apagará automáticamente después de otros 5 minutos.
- c Cuando la función de calentamiento de la agarradera esté encendida y no haya ninguna otra función electrónica activa, la función de calentamiento de la agarradera se apagará automáticamente después de 10 minutos y el soplador de nieve se apagará automáticamente después de otros 5 minutos.
- d Cuando tanto las luces delanteras como la función de calentamiento de la agarradera estén encendidas sin que haya ninguna otra función electrónica activa, las luces delanteras se apagarán automáticamente después de 5 minutos y la función de calentamiento de la agarradera se apagará automáticamente después de otros 5 minutos. Luego, el soplador de nieve se apagará automáticamente después de otros 5 minutos.

## SISTEMA DE VELOCIDAD VARIABLE DE LA BARRENA (Fig. 7)

1. Presione el botón de seguridad y el indicador de alimentación eléctrica se iluminará en verde continuo.
2. **Para encender la barrena**, comprima la palanca de fijación en apagado y luego presione el gatillo del interruptor de la barrena hacia abajo contra la agarradera. Luego, suelte la palanca de fijación en apagado (Fig. 7a).
3. **Para apagar la barrena**, suelte el gatillo del interruptor de la barrena.

La velocidad de la barrena determina la distancia de lanzamiento. La velocidad de la barrena es variable y se puede ajustar utilizando la palanca de control de la velocidad de la barrena (Fig. 7b).

- **Para aumentar la velocidad**, mueva hacia delante la palanca de control de la velocidad de la barrena (alejándola del usuario).



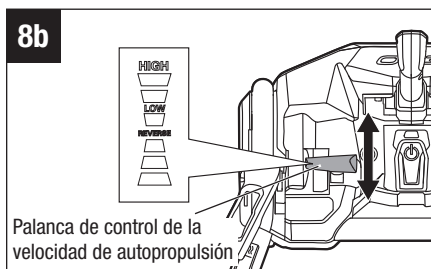
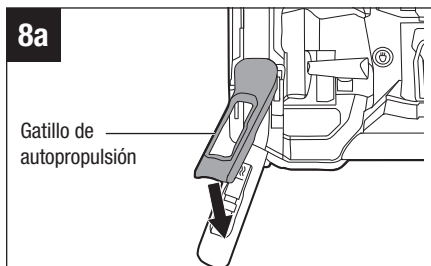
- **Para reducir la velocidad**, mueva hacia detrás la palanca de control de la velocidad de la barrena (hacia el usuario).

**NOTA:** La posición del control de la velocidad de la barrena determina la velocidad de la barrena, por lo que el ajuste de la velocidad de la barrena es eficaz en todo momento.

## SISTEMA DE AUTOPROPULSIÓN DE VELOCIDAD VARIABLE (Fig. 8)

Este soplador de nieve cuenta con capacidad de autopropulsión de velocidad variable. La función de autopropulsión se puede encender con o sin rotación de la barrena.

1. Presione el botón de seguridad y el indicador de alimentación eléctrica se iluminará en verde continuo.
2. **Para encender la función de autopropulsión**, presione el gatillo de autopropulsión hacia abajo contra la agarradera (Fig. 8a).
3. **Para apagar la función de autopropulsión**, suelte el gatillo de autopropulsión



La velocidad y la dirección del sistema de autopropulsión se pueden ajustar utilizando la palanca de control de la velocidad de autopropulsión (Fig. 8b).

- **Para moverse hacia delante**, posicione la palanca de velocidad de autopropulsión en el área de avance. Mueva la palanca de control de la velocidad de autopropulsión hacia delante (alejándose del usuario) dentro del área de avance para aumentar la velocidad. O mueva la palanca de control de la velocidad de autopropulsión hacia atrás (hacia el usuario) dentro del área de avance para reducir la velocidad.
- **Para moverse en reversa (retrocediendo)**, posicione la palanca de velocidad de autopropulsión en el área de reversa. Mueva la palanca de control de la velocidad de autopropulsión hacia DELANTE (alejándose del usuario) dentro del área de reversa para REDUCIR la velocidad. O mueva la palanca de control de la velocidad



de autopropulsión hacia ATRÁS (hacia el usuario) dentro del área de reversa para AUMENTAR la velocidad.

**NOTA:** Usted sentirá un “clic” que separa las áreas de avance y reversa de la palanca de control de la velocidad de autopropulsión.

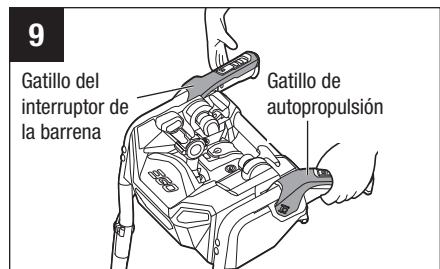
**AVISO:** La posición de la palanca de control de la velocidad de autopropulsión determina la velocidad de movimiento, por lo que el ajuste de la velocidad es eficaz en todo momento. Por seguridad del operador, se recomienda comprobar y ajustar la velocidad de autopropulsión antes de encender la función de autopropulsión.

### GATILLO DEL INTERRUPTOR DE LA BARRENA Y VARILLAJE DEL GATILLO DE AUTOPROPULSIÓN (Fig. 9)

Cuando usted active al mismo tiempo el gatillo de autopropulsión y el gatillo del interruptor de la barrena, la palanca de control de la velocidad de la barrena se

bloqueará temporalmente. Suelte el gatillo del interruptor de la barrena (mano derecha) y dicho gatillo permanecerá activado. Esta característica le permite a usted ajustar la velocidad de la barrena, la velocidad de autopropulsión y la dirección de descarga de la nieve mientras la barrena rota.

Para detener la barrena, suelte el gatillo de autopropulsión y tanto la barrena como la función de autopropulsión se detendrán.



## AJUSTE ELECTRÓNICO DE LA DIRECCIÓN DEL CONDUCTO DE DESCARGA Y DEL DEFLECTOR (Fig. 10)

Este soplador de nieve cuenta con un conducto de descarga y un deflector ajustables electrónicamente.

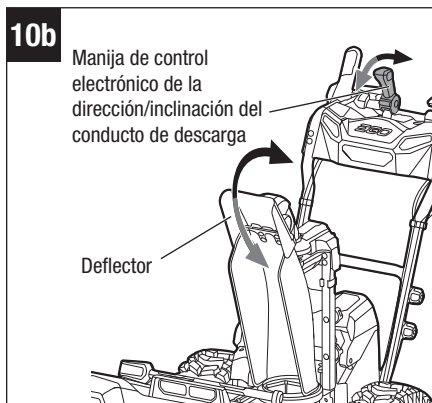
El conducto de descarga se puede ajustar para cambiar tanto la dirección como la distancia de lanzamiento de la nieve descargada con el fin de ayudarle a usted a mover la nieve alejándola de un área y depositándola en otra.

1. Presione el botón de seguridad y el indicador de alimentación eléctrica se iluminará en verde continuo.
2. La dirección de descarga de la nieve se puede ajustar hacia arriba hasta 100° a la izquierda y 100° a la derecha (Fig. 10a).

- Mueva la manija de control electrónico de la dirección/inclinación del conducto de descarga hacia la izquierda para rotar el conducto de descarga hacia la izquierda.
- Mueva la manija de control electrónico de la dirección/inclinación del conducto de descarga hacia la derecha para rotar el conducto de descarga hacia la derecha.

3. La distancia de lanzamiento de la descarga de nieve se determina en parte moviendo el deflector del conducto de descarga hacia arriba o hacia abajo (Fig. 10b).

- Para aumentar la distancia a la que se lanza la nieve, jale hacia atrás la manija de control electrónico de la dirección/inclinación del conducto de descarga. Esto levantará el deflector.
- Para reducir la distancia a la que se lanza la nieve, empuje hacia delante la manija de control electrónico de la dirección/inclinación del conducto de descarga. Esto bajará el deflector.

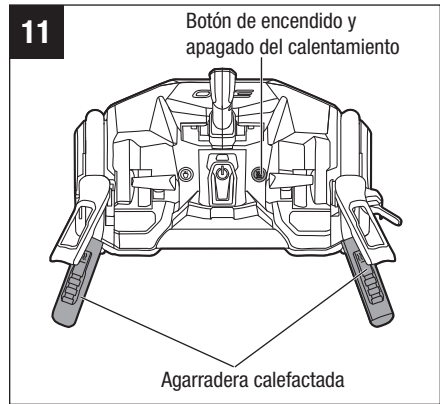


**NOTA:** Al apagar y encender de nuevo el soplador de nieve, es posible que la dirección del conducto de descarga y el ángulo del deflector se desincronicen de la posición de la manija de control electrónico de la dirección/inclinación del conducto de descarga. Accione de nuevo la manija de control electrónico de la dirección/inclinación del conducto de descarga para "reconectar" electrónicamente la agarradera y el conducto de descarga/deflector.

## AGARRADERAS CALEFACTADAS (Fig. 11)

Este soplador de nieve cuenta con un área de agarre calefactada para proporcionar calor a las manos del operador.

**⚠ ADVERTENCIA:** Asegúrese de que el revestimiento de caucho esté intacto en las áreas de agarre calefactadas antes de encender la función de calentamiento de la agarradera. La piel no protegida podría sufrir lesiones por quemaduras a causa del contacto con los elementos calentadores al descubierto.



1. Presione el botón de seguridad y el indicador de alimentación eléctrica se iluminará en verde continuo.
2. **Para ENCENDER la función de calentamiento de la agarradera**, presione el botón de encendido y apagado del calentamiento y el propio botón se iluminará.
3. **Para apagar la función de calentamiento de la agarradera**, presione de nuevo el botón de encendido y apagado del calentamiento de la agarradera y la luz del botón se apagará.

**NOTA:** Cuando la función de calentamiento esté encendida a la temperatura de funcionamiento recomendada, la temperatura de la agarradera calefactada se mantendrá entre 95 °F (35 °C) y 131 °F (55 °C).

**NOTA:** La función de calentamiento se apagará automáticamente para preservar la carga de la batería, si no hay ninguna otra función electrónica del soplador de nieve activa durante 10 minutos.

## LUCES DELANTERAS DE LA PLATAFORMA Y DE LA AGARRADERA (Fig. 12)

Hay un conjunto de luces delanteras LED ubicado en la parte de delantera de la plataforma y otro conjunto ubicado en la parte delantera del área de la agarradera.

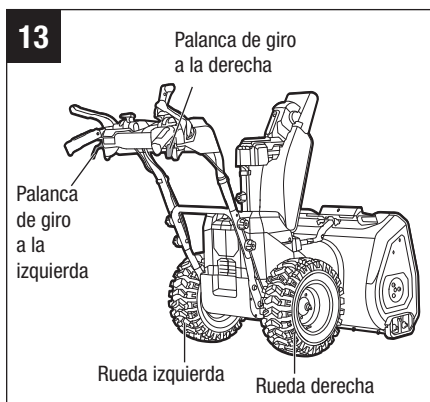
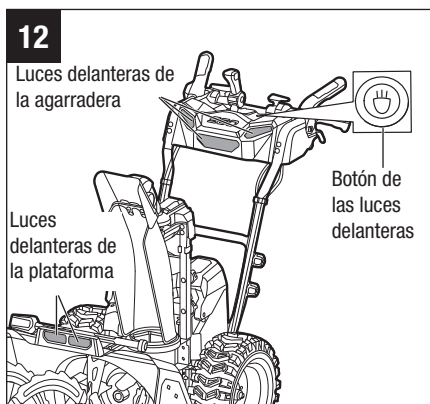
1. Presione el botón de seguridad y el indicador de alimentación eléctrica se iluminará en verde continuo.
2. Presione una vez el botón de las luces delanteras para encender las luces delanteras tanto de la plataforma como de la agarradera.
3. Presione dos veces el botón de las luces delanteras para apagar las luces delanteras de la agarradera.
4. Presione tres veces el botón de las luces delanteras para apagar todas las luces delanteras.

**AVISO:** Todas las luces delanteras se apagarán automáticamente si no hay ninguna otra función electrónica activa después de 5 minutos.

## REALIZACIÓN DE UN GIRO (Fig. 13)

Las ruedas del soplador de nieve se pueden desacoplar utilizando la palanca de giro a la derecha o a la izquierda para ayudar a realizar un giro a la derecha o a la izquierda cuando se esté utilizando el soplador de nieve.

1. Presione el botón de seguridad y el indicador de alimentación eléctrica se iluminará en verde continuo.
2. Presione el gatillo de autopropulsión hacia abajo contra la agarradera para activar la función de autopropulsión



3. Comprima la palanca de giro a la izquierda o a la derecha para hacer un giro:

- comprima la palanca de giro a la izquierda para desacoplar la rueda izquierda del motor de autopropulsión y el soplador de nieve girará hacia la izquierda.
- comprima la palanca de giro a la derecha para desacoplar la rueda derecha del motor de autopropulsión y el soplador de nieve girará hacia la derecha.
- comprima ambas palancas al mismo tiempo para desacoplar ambas ruedas del motor de autopropulsión y el soplador de nieve dejará de moverse.

**⚠ ADVERTENCIA:** Cuando comprima ambas palancas para detener el movimiento de autopropulsión, el soplador de nieve no se detendrá inmediatamente, ya que las ruedas continuarán rotando durante unos momentos debido a la inercia. Por seguridad del operador, no suelte las agarraderas del soplador de nieve hasta que este se haya detenido por completo.

**AVISO:** Cuando empuje hacia delante o jale hacia atrás manualmente el soplador de nieve, comprima ambas palancas al mismo tiempo y entonces las ruedas se desacoplarán del motor de autopropulsión. Este hará que el movimiento manual sea más fácil.

## INDICADOR DE ALIMENTACIÓN ELÉCTRICA UBICADO EN EL SOPLADOR DE NIEVE

El soplador de nieve cuenta con un indicador de alimentación eléctrica para comunicar el nivel de carga del paquete (los paquetes) de batería y el estado de funcionamiento del soplador de nieve. El indicador de alimentación eléctrica se iluminará solo al encender el soplador de nieve.

**NOTA:** Para cualquier falla que no se pueda resolver, contacte a un centro de servicio de EGO para la reparación.

INDICADOR DE ALIMENTACIÓN ELÉCTRICA	SIGNIFICADO	ACCIÓN
Verde continuo	El soplador de nieve está funcionando correctamente y cada paquete de batería tiene al menos un 15% de su carga.	No se necesita ninguna acción.
Rojo parpadeante	La carga del paquete (los paquetes) de batería está casi agotada.	Detenga el soplador de nieve y cargue el paquete (los paquetes) de batería.
Naranja continuo	Si tanto el gatillo del interruptor de la barrena y el gatillo de autopropulsión están activados como si solo el gatillo del interruptor de la barrena está activado, el motor de la barrena está sobrecalentado.	Detenga la rotación de la barrena y espere un poco de tiempo para enfriar el motor de la barrena.
	Si solo el gatillo de autopropulsión está activado, el motor de autopropulsión está sobrecalentado.	Detenga la función de autopropulsión y espere un poco de tiempo para enfriar el motor de autopropulsión.
Naranja, parpadeando lentamente	El motor de la barrena está sobrecalentado y las barrenas dejan de rotar.	Suelte el gatillo del interruptor de la barrena. Rearranque las barrenas y reduzca el ritmo o disminuya la anchura de despeje de nieve cuando esté trabajando.

INDICADOR DE ALIMENTACIÓN ELÉCTRICA	SIGNIFICADO	ACCIÓN
Naranja, parpadeando rápidamente	Si tanto el gatillo del interruptor de la barrena y el gatillo de autopropulsión están activados como si solo el gatillo del interruptor de la barrena está activado, las barrenas están obstruidas y no rotan.	Retire el paquete (los paquetes) de batería. Compruebe si se han acumulado o incrustado nieve o residuos debajo de las barrenas y, si es así, retire esa nieve o esos residuos.
	Si solo el gatillo de autopropulsión está activado, el motor de autopropulsión está sobrecargado y el soplador de nieve no se podrá mover en el modo de autopropulsión.	Retire el paquete (los paquetes) de batería. Compruebe si hay nieve o residuos entre las ruedas y el cuerpo de la máquina y, si hay, retírelos.
Rojo y verde, parpadeando alternadamente	Error del sistema electrónico.	Contacte a un centro de servicio de EGO para la reparación.
No hay luz	Si el indicador LED de uno o ambos paquetes de batería parpadea en naranja o se ilumina en rojo, el paquete o los paquetes de batería están sobrecalentados.	Deje que el paquete (los paquetes) de batería se enfríen e intente encender de nuevo el soplador de nieve.
	Otros errores: interruptor, luz, etc.	Contacte a un centro de servicio de EGO para la reparación.

## PROTECCIÓN CONTRA SOBRECARGAS DEL MOTOR DE LA BARRENA

Para prevenir situaciones de sobrecarga del motor de la barrena, no intente retirar demasiada nieve al mismo tiempo, reduzca el ritmo o disminuya la anchura de la franja de despeje de la nieve.

Este soplador de nieve tiene incorporados elementos sensores de sobrecargas. Cuando el motor de la barrena esté sobrecargado, dicho motor reducirá automáticamente la velocidad de rotación de la barrena y usted oírás cómo el volumen (ruido) del motor disminuye. En caso de sobrecarga, reduzca el ritmo o estreche la anchura de despeje, después de lo cual la velocidad del motor de la barrena reanudará su ajuste normal automáticamente. Si este remedio no resuelve la situación de sobrecarga, el sensor apagará automáticamente el motor de la barrena y el indicador de alimentación eléctrica parpadeará lentamente/rápidamente en naranja.

- Cuando el indicador de alimentación eléctrica parpadee lentamente en naranja, suelte el gatillo del interruptor de la barrena. Rearranque las barrenas y reduzca el ritmo o disminuya la anchura de corte de despeje de la nieve cuando esté trabajando.
- Cuando el indicador de alimentación eléctrica parpadee rápidamente en naranja, retire el paquete (los paquetes) de batería del soplador de nieve. Realice una comprobación para determinar si hay acumulación de nieve o hielo en la barrena y la plataforma. Si es necesario, utilice la herramienta de limpieza del conducto de descarga para despejar la barrena y la plataforma, siguiendo las instrucciones de “DESPEJE DE UN CONDUCTO DE DESCARGA OBSTRUIDO”. Reinstale el paquete (los paquetes) de batería y rearranque el soplador de nieve.

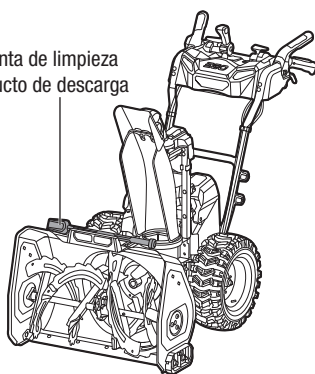
## DESPEJE DE UN CONDUCTO DE DESCARGA OBSTRUIDO (Fig. 14)

**⚠ ADVERTENCIA:** La entrada en contacto de las manos con la barrena que rota dentro del conducto de descarga es la causa más común de lesiones asociadas con los sopladores de nieve. No utilice nunca la mano para limpiar el conducto de descarga.

**⚠ ADVERTENCIA:** No introduzca nunca las manos en el conducto de descarga ni coloque ninguna parte del cuerpo delante del soplador de nieve cuando la unidad esté en funcionamiento o

**14**

Herramienta de limpieza del conducto de descarga





cuando el paquete o los paquetes de batería estén instalados. Asegúrese siempre de que todas las piezas móviles se hayan detenido y que el paquete o los paquetes de batería se hayan retirado antes de despejar cualquier obstrucción. Si no se siguen estas instrucciones, el resultado puede ser lesiones corporales graves.

#### **Para despejar el conducto de descarga:**

1. ¡Pare los motores y apague el soplador de nieve!
2. Retire el paquete (los paquetes) de batería del soplador de nieve.
3. Espere 10 segundos para asegurarse de que la barrena haya dejado de rotar.
4. Utilice siempre la herramienta de limpieza del conducto de descarga que está acoplada a la máquina como accesorio; **NO USE LA MANO.**

### **PROTECCIÓN CONTRA ALTAS TEMPERATURAS DEL PAQUETE DE BATERÍA**

Si la temperatura del paquete (los paquetes) de batería excede 158 °F (70 °C) durante la utilización, el circuito de protección contra altas temperaturas apagará inmediatamente el soplador de nieve para proteger el paquete (los paquetes) de batería contra los daños por sobrecalentamiento. El indicador de alimentación eléctrica ubicado en el soplador de nieve estará apagado y el indicador LED ubicado en el paquete de batería parpadeará en naranja o se encenderá en rojo, dependiendo del modelo.

**NOTA:** El indicador LED de los siguientes paquetes de batería parpadeará con luces naranja cuando dichos paquetes estén sobrecalentados: BA1400, BA1400-FC, BA2800, BA2800-FC, BA4200 y BA4200-FC; las luces LED de los siguientes paquetes de batería se encenderán en rojo cuando dichos paquetes estén sobrecalentados: BA1400T, BA1400T-FC, BA2242T, BA2242T-FC, BA2800T, BA2800T-FC, BA3360T, BA3360T-FC, BA4200T, BA4200T-FC, BA5600T, BA5600T-FC, BA6720T y BA6720T-FC.

Suelte todos los gatillos y espere hasta que el paquete o los paquetes de batería sobrecalentados se enfríen y la luz del indicador LED de batería se ponga verde, y luego rearranque el soplador de nieve

Para prevenir apagados debido a la protección contra altas temperaturas de la batería, no intente utilizar una sola batería para alimentar el soplador de nieve cuando la profundidad de la nieve acumulada exceda 8 pulgadas (203 mm) o cuando la nieve esté muy mojada o helada. Recomendamos el uso de dos baterías que funcionen simultáneamente. Esto es útil para obtener la potencia pico del soplador de nieve.

Después de que se haya activado la protección contra altas temperaturas, reduzca el ritmo y estreche la anchura de la franja de despeje de la nieve para reducir la carga en la batería.

## CONSEJOS DE UTILIZACIÓN

**⚠ PELIGRO:** No utilice nunca un soplador de nieve en lagos o ríos congelados, ni en superficies similares. Podrían producirse lesiones graves o la muerte si el hielo se rompe.

**⚠ PELIGRO:** No utilice nunca el soplador de nieve en un tejado u otra superficie inestable, ya que pueden producirse lesiones corporales graves o la muerte.

**⚠ ADVERTENCIA:** No utilice el soplador de nieve en hielo, ya que esto puede hacer que el operador resbale y se caiga, y el resultado sea posibles lesiones corporales graves.

**⚠ ADVERTENCIA:** No use ropa holgada, bufandas ni joyas. Pueden resultar atrapadas en las piezas móviles y causar la muerte o lesiones corporales graves.

**⚠ ADVERTENCIA:** Mantenga toda la descarga de nieve orientada de manera que se aleje de todos los dispositivos eléctricos para reducir el riesgo de electrocución o descargas eléctricas.

**⚠ ADVERTENCIA:** No apunte nunca el soplador de nieve o el conducto de descarga en dirección a personas o animales domésticos. La nieve u otros objetos que se lancen al aire pueden causar lesiones corporales graves.

**⚠ ADVERTENCIA:** Asegúrese de que el área que se vaya a despejar esté libre de piedras, palos, cables, grava y otros objetos que podrían ser lanzados al aire accidentalmente por el soplador de nieve en cualquier dirección y causar lesiones corporales graves al operador y a otras personas.

- Si la unidad entra en contacto con cualquier tipo de obstrucción o residuo durante su utilización, pare el soplador de nieve, retire el paquete o los paquetes de batería, retire la obstrucción e inspeccione minuciosamente la unidad para determinar si está dañada antes de seguir adelante.

**⚠ ADVERTENCIA:** No introduzca nunca las manos en el conducto de descarga ni coloque ninguna parte del cuerpo delante del soplador de nieve cuando la unidad esté en funcionamiento o cuando el paquete o los paquetes de batería estén instalados. Asegúrese siempre de que todas las piezas móviles se hayan detenido y que el paquete o los paquetes de batería hayan sido retirados antes de despejar cualquier obstrucción. Si no se siguen estas instrucciones, el resultado puede ser lesiones corporales graves.

- Fíjese en la dirección del viento antes de comenzar. Cuando sea posible, descargue la nieve en la misma dirección que el viento para impedir que la nieve le sea lanzada hacia atrás, hacia la cara.
- Algunas piezas del soplador de nieve se pueden congelar en condiciones climáticas extremas. No intente utilizar la unidad con piezas congeladas.
- Cuando haya acabado, deje que el motor funcione durante unos minutos adicionales para impedir que las piezas móviles se congelen y luego gire hacia atrás y hacia delante varias veces la manija de rotación del conducto de descarga para liberarla de cualquier acumulación de hielo. Asegúrese de retirar toda la nieve y todo el hielo que pueda haber en la base del conducto de descarga.
- En condiciones de nieve y frío, es posible que algunos controles y piezas móviles se congelen. No emplee una fuerza excesiva cuando intente utilizar controles congelados. Si tiene dificultad para utilizar cualquier control o pieza, arranque la máquina tal y como se muestra en la sección “**ARRANQUE/PARADA DEL SOPLADOR DE NIEVE**” y deje que funcione durante unos minutos.

## MANTENIMIENTO

**⚠ ADVERTENCIA:** Para evitar lesiones corporales graves, retire siempre el paquete o los paquetes de batería del soplador de nieve antes de limpiarlo o realizar cualquier mantenimiento.

**⚠ ADVERTENCIA:** Cuando haga servicio de ajustes y reparaciones, utilice únicamente piezas de repuesto idénticas. Es posible que el uso de cualquier otra pieza cree un peligro o cause daños al producto. Para garantizar la seguridad y la confiabilidad, todas las reparaciones deberán ser realizadas por un técnico de servicio calificado.

**AVISO:** Inspeccione periódicamente todo el producto para determinar si hay piezas dañadas, si faltan piezas o si hay piezas flojas, tales como tornillos, tuercas, pernos, tapas, etc. Apriete firmemente todos los sujetadores y todas las tapas y no utilice este producto hasta que todas las piezas que falten o estén dañadas hayan sido reemplazadas.

### MANTENIMIENTO GENERAL

Evite utilizar solventes cuando limpie piezas de plástico. La mayoría de los plásticos son susceptibles a sufrir daños por causa de diversos tipos de solventes comerciales y es posible que resulten dañados por el uso de dichos solventes. Utilice paños limpios para retirar la suciedad, el polvo, el aceite, la grasa, etc.

**⚠ ADVERTENCIA:** No deje en ningún momento que líquido de frenos, gasolina, productos a base de petróleo, aceites penetrantes, etc., entren en contacto con piezas de plástico. Las sustancias químicas pueden dañar, debilitar o destruir el plástico, lo cual puede tener como resultado lesiones corporales graves.

### LUBRICACIÓN DE LA MÁQUINA

Todos los cojinetes de este producto están lubricados con una cantidad de lubricante de alta calidad suficiente para la vida útil de la unidad en condiciones de utilización normales. Por lo tanto, no se requiere lubricación adicional de los cojinetes.

## REEMPLACE Y AJUSTE DE LAS ZAPATAS DESLIZANTES (Fig. 15)

Cuando encuentre superficies desiguales o de grava, será necesario ajustar la altura de las zapatas deslizantes para aumentar la capacidad del soplador de nieve para maniobrar sobre la nieve.

Cuando las zapatas deslizantes estén rotas o el ajuste máximo de la altura no cumpla con el requisito, reemplace las zapatas deslizantes.

Herramienta necesaria (no incluida):

- una llave de tubo de 15 mm

### Para reemplazar las zapatas deslizantes (Fig. 15a)

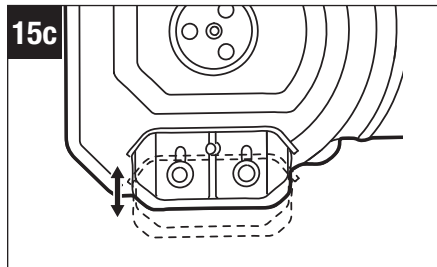
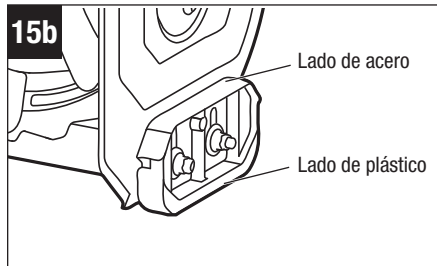
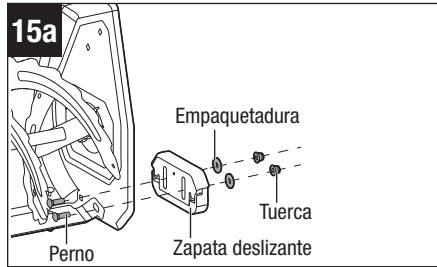
1. Retire el paquete (los paquetes) de batería.
2. Afloje y retire las tuercas, las empaquetaduras, la zapata deslizante y los pernos ubicados en el lado de la plataforma.
3. Reemplace la zapata deslizante por una nueva.
4. Reensamble las tuercas, las empaquetaduras y los pernos. Apriételos firmemente.

**NOTA:** Los lados de acero y de plástico de la zapatas deslizantes se pueden invertir para diferentes superficies según sea necesario (Fig. 15b).

### Para ajustar la altura de las zapatas deslizantes (Fig. 15c)

Cuando encuentre superficies desiguales o de grava, será necesario ajustar la altura de las zapatas deslizantes para aumentar la capacidad del soplador de nieve para maniobrar sobre la nieve.

La altura de las zapatas deslizantes se puede ajustar de acuerdo con las condiciones reales de la nieve sin retirar las tuercas. Simplemente afloje las tuercas, ajuste la posición de las zapatas antideslizantes y luego reapriete las tuercas.

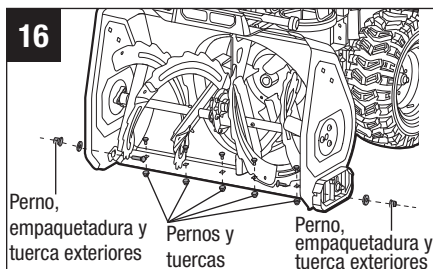


## REEMPLAZO DE LA BARRA RASCADORA (Fig. 16)

Herramientas necesarias (no incluidas):

- una llave de tubo de 15 mm
- una llave de boca abierta de 8 mm o una llave de tuerca ajustable

1. Retire el paquete (los paquetes) de batería.
2. Acueste el soplador de nieve sobre uno de sus lados o cualquier otra posición conveniente para hacer servicio de ajustes y reparaciones de la barra rascadora.
3. Afloje y retire el perno, la empaquetadura y la tuerca exteriores que se encuentran en cada zapata deslizante.
4. Afloje y retire las cinco tuercas ubicadas en la parte inferior de la plataforma, así como los cinco pernos ubicados en el interior.
5. Retire la barra rascadora alejándola de la plataforma.
6. Reemplace la barra rascadora desgastada por una nueva.
7. Reensamble los dos pernos, empaquetaduras y tuercas exteriores que se encuentran en las zapatas deslizantes, así como los cinco pernos y tuercas ubicados en la parte inferior de la plataforma. Apriételos firmemente.



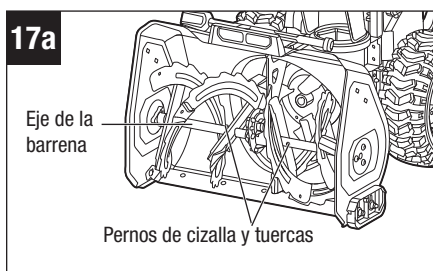
## REEMPLAZO DEL PERNO DE CIZALLA (Fig. 17)

Los pernos de cizalla están ubicados en el eje de la barrena. Ayudan a absorber la fuerza de torsión de detención instantánea cuando la barrena golpee obstáculos durante el trabajo y protegen la caja de engranajes y el motor contra los daños.

Reemplace los pernos de cizalla si están rotos (Fig. 17a).

Herramientas necesarias (no incluidas):

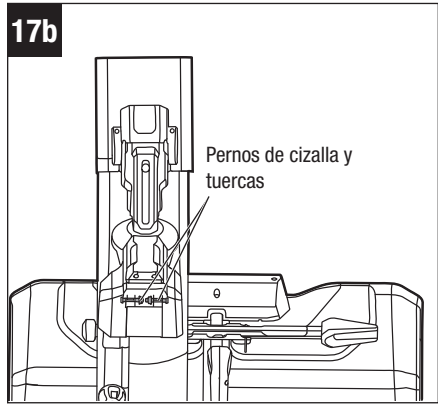
- llave de boca abierta de 10 mm o llave de tuerca ajustable



- llave hexagonal de 4 mm

1. Retire el paquete (los paquetes) de batería.
2. Retire el perno de cizalla y la tuerca.
3. Instale el perno de cizalla y la tuerca nuevos. Apriételos firmemente.

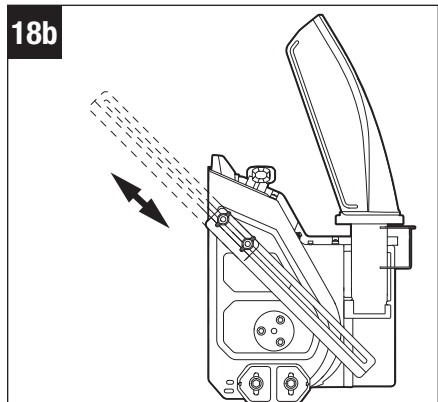
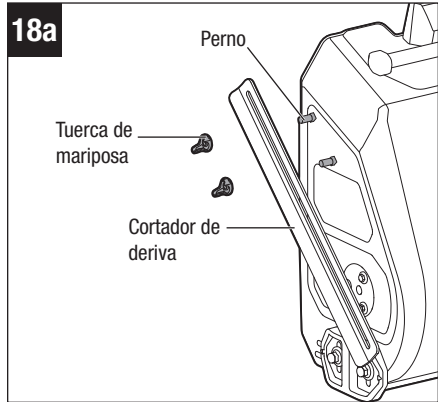
**AVISO:** En el ensamblaje del conducto de descarga de nieve hay almacenados dos pernos de cizalla y dos tuercas de repuesto (Fig. 17b). Si los originales están rotos, reemplácelos por otros nuevos.



## CORTADOR DE DERIVA EGO MODELO ADC2400 (VENDIDO POR SEPARADO) (Fig. 18)

Cuando la altura de la nieve sea mayor que la de la plataforma, los cortadores de deriva pueden rascar la nieve debajo de la plataforma para ayudar a retirarla.

1. Retire el paquete (los paquetes) de batería.
2. Inserte los dos pernos en la plataforma y monte el cortador de deriva y las tuercas de mariposa en los pernos. Preapriete las tuercas de mariposa y mantenga el cortador de deriva un poco flojo para ajustarlo (Fig. 18a).
3. Mueva los cortadores de deriva hasta la posición deseada (Fig. 18b).
4. Apriete las tuercas de mariposa para fijar los cortadores de deriva.



## COMPROBACIÓN DE LA PRESIÓN DE LAS LLANTAS

Es importante para retirar la nieve de manera nivelada que todas las llantas tengan la cantidad correcta de presión de aire. Si el soplador de nieve no está siguiendo una trayectoria recta, por favor, compruebe primero la presión de aire de las ruedas.

Compruebe las dos llantas y asegúrese de que ambas estén infladas con la presión mostrada en a Fig. 19.

Herramientas necesarias (no incluidas):

- manómetro para llantas;
- compresor de aire / inflador o bomba de bicicleta de servicio pesado.

**⚠ ADVERTENCIA:** Compruebe minuciosamente la presión de la llanta mientras la infla. Demasiado aire en la llanta podría hacer que esta reviente y con ello causar lesiones corporales graves.

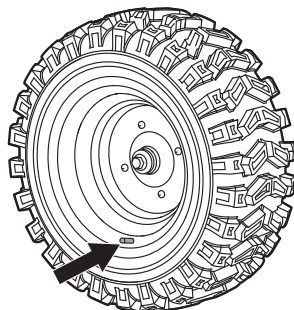
**⚠ ADVERTENCIA:** El mantenimiento de una presión de aire correcta en las llantas es muy importante. Una presión demasiado baja podría permitir que la llanta rote y se salga del rin de la rueda. Demasiada presión podría hacer que la llanta reviente. Si no se mantiene una presión de aire correcta en las llantas, se podrían causar problemas con el funcionamiento y la estabilidad del soplador de nieve, y con ello causar lesiones corporales graves.

## ALMACENAMIENTO DEL SOPLADOR DE NIEVE

**⚠ ADVERTENCIA:** Asegúrese de que toda la nieve derretida que pueda gotear del soplador de nieve sea retirada adecuadamente para prevenir un peligro de resbalamiento y caída.

Retire el paquete o los paquetes de batería y almacénelos en un lugar seguro fuera del alcance de los niños.

**NOTA:** Cuando no se esté utilizando el soplador de nieve, el paquete o los paquetes de batería se deberán almacenar en un área cerrada donde la temperatura no descienda por debajo de  $-4\text{ }^{\circ}\text{F}$  ( $-20\text{ }^{\circ}\text{C}$ ).

**19**

16 PSI (96,5 kPa)



Antes de almacenar la unidad, elimine con un paño la humedad, la suciedad o los residuos del compartimiento de la batería y alrededor del mismo.

- Limpie el soplador de nieve con un paño limpio y seco.
- Compruebe el apriete de todas las tuercas, pernos, perillas, tornillos, etc.
- Inspeccione las piezas móviles para determinar si tienen daños, roturas y desgaste. Haga que se realicen reparaciones en cualquier pieza dañada o que falte.
- Almacene el soplador de nieve en un lugar limpio, seco, cerrado y fuera del alcance de los niños.
- No almacene la unidad cerca de materiales corrosivos, tales como fertilizante o sal de roca.

## SOLUCIÓN DE PROBLEMAS

**⚠ ADVERTENCIA:** Retire siempre el paquete (los paquetes) de batería cuando haga servicio de ajustes y reparaciones del soplador de nieve o lo transporte. Protéjase siempre las manos usando guantes cuando realice cualquier mantenimiento en la barrena o la barra rascadora del soplador de nieve.

PROBLEMA	CAUSA	SOLUCIÓN
El soplador de nieve no arranca.	<ul style="list-style-type: none"> <li>La carga del paquete (los paquetes) de batería está baja.</li> </ul>	<ul style="list-style-type: none"> <li>Cargue el paquete (los paquetes) de batería.</li> </ul>
	<ul style="list-style-type: none"> <li>El gatillo del interruptor de la barrena no se presiona después de que el indicador de alimentación eléctrica se ilumina en verde continuo.</li> </ul>	<ul style="list-style-type: none"> <li>Presione el gatillo del interruptor de la barrena después de que el indicador de alimentación eléctrica se ilumine en verde continuo. Si el indicador de alimentación eléctrica está apagado, el soplador de nieve no responderá al presionar el gatillo del interruptor de la barrena.</li> </ul>
	<ul style="list-style-type: none"> <li>La barrena está congelada por la nieve o el hilo.</li> </ul>	<ul style="list-style-type: none"> <li>Retire primero el paquete (los paquetes) de batería y luego utilice la herramienta de limpieza del conducto de descarga suministrada para retirar la nieve o el hielo que obstruyen la barrena. Rearranque el soplador de nieve.</li> </ul>

PROBLEM	CAUSE	SOLUTION
<p>El soplador de nieve no arranca.</p>	<ul style="list-style-type: none"> <li>■ El paquete de batería está sobrecalentado. El indicador LED ubicado en el paquete (los paquetes) de batería parpadea en naranja o se ilumina en rojo. (Consulte la sección <b>“PROTECCIÓN CONTRA ALTAS TEMPERATURAS DE LA BATERÍA”</b> de este manual).</li> </ul>	<ul style="list-style-type: none"> <li>■ Retire el paquete (los paquetes) de batería sobrecalentados del soplador de nieve y espere a que el paquete o los paquetes de batería se enfríen hasta aproximadamente 152 °F (67 °C). Reinstale el paquete (los paquetes) de batería y re arranque el soplador de nieve.</li> </ul>
	<ul style="list-style-type: none"> <li>■ Falla no identificada.</li> </ul>	<ul style="list-style-type: none"> <li>■ Contacte a un centro de servicio de EGO para la reparación.</li> </ul>
<p>El motor de la barrena está encendido pero la barrena no gira.</p>	<ul style="list-style-type: none"> <li>■ El perno de cizalla está roto.</li> </ul>	<ul style="list-style-type: none"> <li>■ Reemplace el perno de cizalla siguiendo la sección <b>“REEMPLAZO DEL PERNO DE CIZALLA”</b> de este manual.</li> </ul>
<p>Después de pasar el soplador de nieve, este deja una capa de nieve sobre el piso.</p>	<ul style="list-style-type: none"> <li>■ La barra rascadora está desgastada.</li> <li>■ Las zapatas deslizantes están ajustadas demasiado bajas para colocar la barra rascadora demasiado lejos del piso.</li> </ul>	<ul style="list-style-type: none"> <li>■ Reemplace la barra rascadora siguiendo la sección <b>“REEMPLAZO DE LA BARRA RASCADORA”</b> de este manual.</li> <li>■ Ajuste la altura de las zapatas deslizantes siguiendo la sección <b>“PARA AJUSTAR LA ALTURA DE LAS ZAPATAS DESLIZANTES”</b> de este manual.</li> </ul>

<b>PROBLEM</b>	<b>CAUSE</b>	<b>SOLUTION</b>
El soplador de nieve lanza menos nieve.	<ul style="list-style-type: none"><li>■ Las barrenas están desgastadas.</li><li>■ Es posible que la velocidad de la barrena sea demasiado baja.</li></ul>	<ul style="list-style-type: none"><li>■ Contacte a un centro de servicio de EGO para la reparación.</li><li>■ Aumente la velocidad de la barrena.</li></ul>
Las agarraderas no se calientan.	<ul style="list-style-type: none"><li>■ La función de calentamiento se apagará automáticamente cuando el soplador de nieve esté inactivo durante 10 minutos.</li></ul>	<ul style="list-style-type: none"><li>■ Presione el interruptor de calentamiento de la agarradera para reanclar la función de calentamiento.</li></ul>

# GARANTÍA LIMITADA DE EGO

## TÉRMINOS Y DURACIÓN DE LA PÓLIZA DE GARANTÍA

Chervon North America, Inc. (“Chervon North America”), proporciona la siguiente Garantía Limitada para los productos EGO al comprador original de productos EGO.

El período de garantía detallado de cada producto EGO se puede encontrar en línea en <http://egopowerplus.com/warranty-policy>.

**Sírvase contactar a Servicio al Cliente de EGO llamando gratis al 1-855-EGO-5656** en cualquier momento en que tenga preguntas o reclamos de garantía, o si desea obtener una copia impresa de la garantía.

## GARANTÍA LIMITADA DE SERVICIO

Los productos EGO están garantizados contra defectos de material o de fabricación a partir de la fecha de compra minorista original durante el período de garantía aplicable. Para cualquier reclamo de garantía presentado de manera adecuada y oportuna, si Chervon North America determina que un producto presenta algún defecto durante el período de garantía, dicho producto recibirá una reparación o un remplazo gratuitos, según lo determine Chervon North America.

## CÓMO OBTENER SERVICIO

Para obtener servicio de garantía, dentro del período de garantía aplicable, sírvase contactar a servicio al cliente de EGO llamando gratis al **1-855-EGO-5656**. Cuando solicite servicio de garantía, deberá presentar el recibo de venta fechado original. Se seleccionará un centro de servicio autorizado para evaluar y reparar el producto si el mismo presenta algún defecto de acuerdo con los términos establecidos en la garantía. Cuando lleve su producto al centro de servicio autorizado, es posible que se requiera un pequeño depósito cuando deje allí su herramienta. Este depósito es reembolsable cuando se considere que el servicio de reparaciones esté cubierto bajo garantía.

## LIMITACIONES Y EXCLUSIONES ADICIONALES

Esta garantía limitada se aplica solo al comprador original que realice la compra a un minorista EGO autorizado y no es transferible. Los productos EGO no serán considerados defectuosos, y esta garantía no se aplicará, en los casos en que el

defecto por el que se presente el reclamo sea atribuible a cualquier causa que no sean los defectos definidos anteriormente en este documento. Esta garantía quedará anulada si el producto se ha utilizado para fines de alquiler. Esta garantía no se aplicará a daños causados por accidente, abuso, uso incorrecto, alteración, modificación, reparación no autorizada, contacto con líquidos, incendio, terremoto u otra causa externa; utilización del producto sin seguir las instrucciones, especificaciones o pautas de EGO; o no hacer servicio de ajustes y reparaciones o no mantener adecuadamente el producto. Esta garantía tampoco se aplica a los daños cosméticos, incluyendo, pero sin limitarse a ello, rasguñaduras o abolladuras; defectos causados por el desgaste por el uso normal o defectos que de alguna otra manera se deban al envejecimiento normal del producto.

ESTA GARANTÍA EXPRESA SE DA EN LUGAR DE TODAS LAS DEMÁS GARANTÍAS, EXPRESAS O IMPLÍCITAS, INCLUYENDO, PERO SIN LIMITARSE A ELLO, TODAS LAS GARANTÍAS DE COMERCIALIZACIÓN O IDONEIDAD PARA UN PROPÓSITO O USO ESPECÍFICO, LAS CUALES QUEDAN EXCLUIDAS. Todas las garantías implícitas, incluyendo las garantías de comerciabilidad o idoneidad para un propósito específico, que no se puedan excluir bajo la ley estatal, están limitadas al período de garantía aplicable definido al comienzo de este artículo. El remedio único y exclusivo en conexión con la compra, instalación, uso y/o rendimiento de los productos EGO es la reparación o el reemplazo del producto tal y como lo determine Chervon North America. La responsabilidad máxima de North America no excederá en ningún caso el precio de compra pagado por el producto. CHERVON NORTH AMERICA NO SERÁ RESPONSABLE ANTE EL USUARIO NI ANTE NADIE MÁS POR DAÑOS EMERGENTES, INCIDENTALES, ESPECIALES, EJEMPLARES, INDIRECTOS O PUNITIVOS QUE SURJAN DEL USO DE LOS PRODUCTOS, INCLUYENDO, PERO SIN LIMITARSE A ELLO, LESIONES CORPORALES, MUERTE, DAÑOS MATERIALES, GANANCIAS PERDIDAS U OTROS PERJUICIOS ECONÓMICOS. Esta garantía le confiere a usted derechos legales específicos y es posible que usted tenga también otros derechos que varían de un estado a otro. Algunos estados no permiten limitaciones en cuanto a la duración de una garantía implícita, la exclusión o limitación de los daños incidentales o emergentes, o las limitaciones al tiempo para emprender ciertas acciones legales, por lo que las limitaciones contenidas en el presente documento no se aplican a los consumidores individuales de esos estados.



Esta garantía está sujeta a la ley de Michigan y se interpretará de acuerdo con dicha ley, con independencia de los principios sobre conflictos de leyes. No se emprenderá ninguna acción legal contra Chervon North America a menos que se presente dentro del plazo de un (1) año después de que se tenga conocimiento de la base de dicha acción legal o de la cual se debiera haber tenido conocimiento con el ejercicio de una diligencia razonable. Se considerará que se ha renunciado a cualquier acción legal que no se presente oportunamente.

Para obtener servicio al cliente, contáctenos llamando gratis al **1-855-EGO-5656** o en **EGOPOWERPLUS.COM**.

EGO Customer Service,  
769 Seward Ave. NW, Suite 102,  
Grand Rapids, Michigan 49504.

