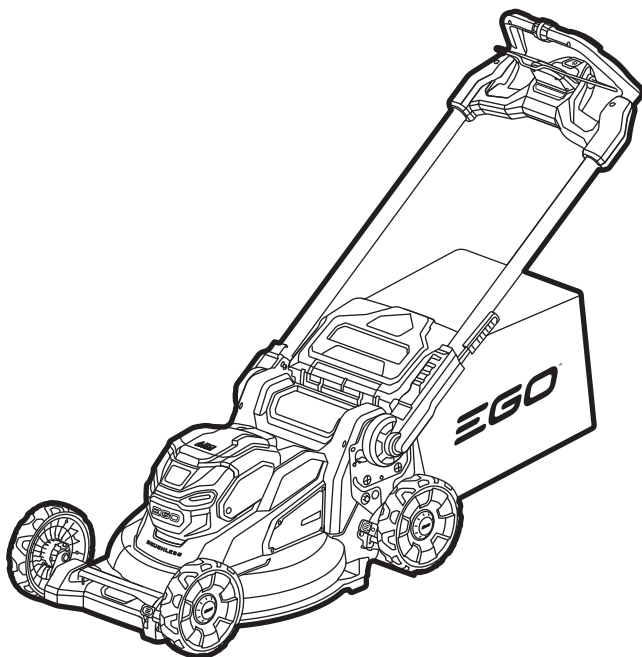


EGO™

POWER⁺ MOWER



OPERATOR'S MANUAL

56-VOLT LITHIUM-ION

CORDLESS 22"

LAWN MOWER

MODEL NUMBER LM2200SP/LM2200SP-FC

Français p. 53

Español p. 109

⚠ WARNING: To reduce the risk of injury, the user must read and understand the Operator's Manual before using this product. Save these instructions for future reference.

READ ALL INSTRUCTIONS!



READ & UNDERSTAND
OPERATOR'S MANUAL


TABLE OF CONTENTS

Safety Symbols	3
Symbols	4-5
Safety Rules for Cordless Lawn Mower	6-12
Introduction	12
Specifications	13-14
Recommended Accessories	14
Description	15-18
Assembly	19-26
Operation	27-37
Maintenance	38-46
Troubleshooting	47-49
EGO Limited Warranty	50-51

SAFETY SYMBOLS

The purpose of safety symbols is to attract your attention to possible dangers. The safety symbols and the explanations with them deserve your careful attention and understanding. The symbol warnings do not, by themselves, eliminate any danger. The instructions and warnings they give are no substitutes for proper accident prevention measures.

⚠ WARNING: Be sure to read and understand all safety instructions in this Operator’s Manual, including all safety alert symbols such as “**DANGER**”, “**WARNING**”, and “**CAUTION**” before using this tool. Failure to follow all instructions listed below may result in electric shock, fire, and/or serious personal injury.

The definitions below describe the level of severity for each signal word. Please read the manual and pay attention to these symbols.	
	This is the safety alert symbol. It is used to alert you to potential personal injury hazards. Obey all safety messages that follow this symbol to avoid possible injury or death.
⚠ DANGER:	DANGER indicates a hazardous situation which, if not avoided, will result in death or serious injury.
⚠ WARNING:	WARNING indicates a hazardous situation which, if not avoided, could result in death or serious injury.
⚠ CAUTION:	CAUTION, used with the safety alert symbol, indicates a hazardous situation which, if not avoided, will result in minor or moderate injury.

DAMAGE PREVENTION AND INFORMATION MESSAGES

These inform the user of important information and/or instructions that could lead to equipment or other property damage if they are not followed. Each message is preceded by the word “**NOTICE**”, as in the example below:

NOTICE: Equipment and/or property damage may result if these instructions are not followed.

SYMBOLS

This page depicts and describes safety symbols that may appear on this product. Read, understand, and follow all instructions on the machine before attempting to assemble and operate.

	<p>Safety Alert</p>	<p>Indicates a potential personal injury hazard.</p>
	<p>Eye Protection</p>	<p>Always wear safety goggles or safety glasses with side shields and a full face shield when operating this product.</p>
	<p>Read & Understand Operator's Manual</p>	<p>To reduce the risk of injury, user must read and understand operator's manual before using this product.</p>
	<p>Maintain Safety Devices</p>	<p>Do not open or remove safety shields while the tool is running.</p>
	<p>Look Behind While Backing</p>	<p>Look down and behind first to avoid tripping when pulling back.</p>
	<p>DANGER — Keep Hands and Feet Away</p>	<p>To reduce the risk of injury, keep hands and feet away from rotating parts. Do not operate unless discharge cover or grass bag is in its proper place. If damaged, replace immediately.</p>
	<p>DANGER — Keep Bystanders Away</p>	<p>Do not mow when children or others are around.</p>
	<p>DANGER — Thrown Debris</p>	<p>Remove objects that can be thrown by the blade in any direction. Wear safety glasses.</p>

	DANGER — Steep Slope Hazard	Use extra caution on slopes. Do not mow slopes greater than 15 degrees.
	Recycle Symbol	This product uses lithium-ion (Li-ion) batteries. Local, state, or federal laws may prohibit disposal of batteries in ordinary trash. Consult your local waste authority for information regarding available recycling and/or disposal options.
	Bluetooth®	Bluetooth® Symbol
IP...	Ingress Protection (IP) Rating	Classifies the degree of protection provided by an enclosure, for electrical equipment
V	Volt	Voltage
	Direct Current (DC)	Type or a characteristic of current
mm	Millimeter	Length or size
in.	Inch	Length or size
kg	Kilogram	Weight
lb	Pound	Weight
L	Liter	Volume
bu	Bushel	Volume
min	Minutes	Time
n_0	No Load Speed	Rotational speed, at no load
RPM	Revolutions Per Minute	Rotational speed
°C	Degrees Celsius	Temperature
°F	Degrees Fahrenheit	Temperature

⚠ WARNING: To ensure safety and reliability, all repairs should be performed by a qualified service technician.

SAFETY RULES FOR CORDLESS LAWN MOWER

⚠ DANGER: This machine was built to be operated according to the rules for safe operation included in this manual. As with any type of power equipment, carelessness or error on the part of the operator can result in serious injury. This machine is capable of amputating hands and feet and throwing objects. Failure to observe all safety instructions could result in serious injury or death.

⚠ WARNING: When using electric lawn mowers, basic safety precautions should always be followed to reduce the risk of fire, electric shock, and personal injury. These basic precautions include the following:

CHILDREN

Tragic accidents can occur if the operator is not alert to the presence of children. Children are often attracted to the mower and mowing activity. They do not understand the dangers. Never assume that children will remain where you last saw them.

- Keep children out of the mowing area and under the watchful care of a responsible adult other than the operator.
- Be alert and turn the mower off if a child enters the area.
- Use extreme care when approaching blind corners, doorways, shrubs, trees, or other objects that may obscure your vision of a child who may run into the mower.
- Never allow children under 14 years old to operate a power mower. Children 14 years old and over should read and understand the operation instructions and safety rules in this manual and should be trained and supervised by a parent. Only responsible individuals who are familiar with these rules of safe operation should be allowed to use this machine.

OPERATION

GENERAL OPERATION:

- Read this operator's manual carefully in its entirety before attempting to assemble this machine. Read, understand, and follow all instructions on the machine and in the manuals before operation. Be completely familiar with the controls and proper use of this machine before operating it. Keep this manual in a safe place for future and regular reference and for ordering replacement parts.

- **Stay Alert** – Watch what you are doing. Use common sense. Do not operate lawn mower when you are tired.
- Do not operate the machine while under the influence of alcohol or drugs.
- **Keep Children Away** – All visitors should be kept a safe distance from work area.
- Keep hands and feet away from cutting area.
- Don't use in rain.
- **Use the right appliance** – Do not use the lawn mower for any job except that for which it is intended. Your lawn mower has been designed to perform only one job: to mow grass.
- **Don't overreach** – Keep proper footing and balance at all times.
- **Objects struck by the lawn mower blade can cause severe injuries to persons.** The lawn should always be carefully examined and cleared of all objects prior to each mowing.
- **Before and while moving backwards with the mower, look behind and down for small children and other people.**
- **Don't force the lawn mower** – it will do the job better and more safely at the rate for which it was designed.
- **Plan your mowing pattern to avoid discharge of material toward roads, sidewalks, bystanders and the like.** Also, avoid discharging material against walls or obstructions, which may cause discharged material to ricochet back toward the operator.
- **To help avoid blade contact or an injury from thrown objects, stay in the operator zone behind the handles and keep children, bystanders, helpers and pets at least 100 feet (30m) from the mower while it is in operation.** Stop the machine if anyone enters the area.
- **Always wear safety glasses or safety goggles during operation and while performing an adjustment or repair to protect your eyes.** Thrown objects that ricochet can cause serious injury to the eyes. Always use a face or dust mask if the operation is dusty.
- **Dress properly** – Do not wear loose clothing or jewelry. They can be caught in moving parts. Use of rubber gloves and footwear is recommended when working outdoors. Wear sturdy, rough-soled work shoes and close-fitting pants and shirts. Shirts and pants that cover the arms and legs and steel-toed shoes are recommended. Never operate this machine in bare feet, sandals, slippery or lightweight (e.g., canvas) shoes.

- Never pull the mower back toward you while you are walking. If you must back the mower away from a wall or obstruction, first look down and behind you to avoid tripping, and then follow these steps:
 - Step back from mower to fully extend your arms.
 - Be sure you are well balanced with sure footing.
 - Pull the mower back slowly, no more than half way toward you.
 - Repeat these steps as needed.
- Keep the area of operation clear of all bystanders, particularly small children. Stop the machine and attachment(s) if anyone enters the area.
- The motor/blade control handle is a safety device. Never attempt to bypass its operation. Doing so makes the safety device inoperative and may result in personal injury through contact with the rotating blade. The motor/blade control handle must operate easily in both directions and automatically return to the disengaged position when released.
- Avoid dangerous environments – Don't use lawn mowers in damp or wet locations so as to avoid slipping and falling during operation.
- Always be sure of your footing. A slip and fall can cause serious personal injury. If you feel you are losing your footing, release the motor/blade control handle immediately and the blade will stop rotating within three seconds.
- Mow only in daylight or good artificial light. Walk, never run while operating.
- Stop the blade when crossing gravel drives, walks or roads.
- If the equipment should start to vibrate abnormally, immediately stop the motor, remove the battery and check for the cause. Vibration is generally a warning of trouble.
- Keep clear of the discharge opening at all times.
- Before cleaning the machine, unclogging the chute or removing or replacing the grass bag, mulching insert, or side discharge chute, turn the motor off and wait until the blade comes to a complete stop, then remove the battery pack. The cutting blade continues to rotate for a few seconds after the motor is shut off. Never place any part of the body in the blade area until you are sure the blade has stopped rotating.
- Never operate the mower without the proper trailing shield, discharge door, grass bag, mulching insert, side discharge chute, motor/blade control handle or other safety protective devices in place and working. Never operate the mower with damaged safety devices. Failure to do so can result in personal injury.
- Disengage the self-propelled mechanism or drive clutch on units so equipped before starting the motor.

- Prevent unintentional starting. Ensure the switch is in the off-position before connecting to battery pack, picking up or carrying the appliance. Carrying the appliance with your finger on the switch or energizing appliance that have the switch on invites accidents.
- Disconnect the battery pack from the appliance before making any adjustments, changing accessories, or storing appliance. Such preventive safety measures reduce the risk of starting the appliance accidentally.
- Recharge only with the charger specified by the manufacturer. A charger that is suitable for one type of battery pack may create a risk of fire when used with another battery pack.
- Use machine only with specifically designated battery packs. Use of any other battery packs may create a risk of injury and fire.

BATTERY PACK	CHARGER
BA1400, BA1400-FC, BA2800, BA2800-FC, BA4200, BA4200-FC, BA1400T, BA1400T-FC, BA2242T, BA2242T-FC, BA2800T, BA2800T-FC, BA3360T, BA3360T-FC, BA4200T, BA4200T-FC, BA4480T, BA4480T-FC, BA5600T, BA5600T-FC, BA6720T, BA6720T-FC	CH2100, CH2100-FC, CH3200, CH3200-FC, CH5500, CH5500-FC, CH2800D, CH2800D-FC, CH7000, CH7000-FC

- When battery pack is not in use, keep it away from other metal objects, like paper clips, coins, keys, nails, screws or other small metal objects that can make a connection from one terminal to another. Shorting the battery terminals together may cause burns or a fire.
- Under abusive conditions, liquid may be ejected from the battery; avoid contact. If contact accidentally occurs, flush with water. If liquid contacts eyes, additionally seek medical help. Liquid ejected from the battery may cause irritation or burns.
- Do not use a battery pack or appliance that is damaged or modified. Damaged or modified batteries may exhibit unpredictable behavior resulting in fire, explosion or risk of injury.
- Do not expose a battery pack or appliance to fire or excessive temperature. Exposure to fire or temperature above 265 °F (130 °C) may cause explosion.
- Follow all charging instructions and do not charge the battery pack or appliance outside of the temperature range specified in the instructions. Charging improperly or at temperatures outside of the specified range may damage the battery and increase the risk of fire.

- Have servicing performed by a qualified repair person using only identical replacement parts. This will ensure that the safety of the product is maintained.
- Do not modify or attempt to repair the machine or the battery pack except as indicated in the instructions for use and care.
- If situations occur that are not covered in this manual, use care and good judgment. Contact EGO Customer Service for assistance.

OPERATION ON A SLOPE:

Slopes are a major factor related to slip-and-fall accidents, which can result in severe injury. Operation on slopes requires extra caution. If you feel uneasy on a slope, do not mow it. For your safety, use the slope gauge in this manual to measure slopes before operating this unit on a sloped or hilly area. If the slope is greater than 15 degrees, do not mow it.

Before cleaning the machine, unclogging the chute or removing or replacing the grass bag, mulching insert, or side discharge chute, turn the motor off and wait until the blade comes to a complete stop, then remove the battery pack. The cutting blade continues to rotate for a few seconds after the motor is shut off. Never place any part of the body in the blade area until you are sure the blade has stopped rotating it.

Do not operate machine under any condition where stability is in question. Tires could slide even if the wheels are stopped.

Use extra care while operating machine with a grass catcher. They can affect the stability of the machine.

Do:

- Mow across the face of slopes; never mow up and down. Exercise extreme caution when changing direction on slopes.
- Watch for holes, ruts, rocks, hidden objects, or bumps which can cause you to slip or trip. Tall grass can hide obstacles.

Do not:

- Do not mow near drop-offs, ditches or embankments; you could lose your footing or balance.
- Do not mow slopes greater than 15 degrees, as shown on the slope gauge.
- Do not mow on wet grass. Unstable footing could cause slipping.

SERVICE

⚠ WARNING: Grass bag components, the discharge door, side discharge chute, mulching insert, and trailing shield are subject to wear and damage, which could expose moving parts or allow objects to be thrown and could increase the risk of injury. For safety protection, frequently check all components and replace damaged components immediately with identical EGO replacement parts.

- If the mower's built-in overload protection switch frequently trips, contact EGO Customer Service or your closest EGO service center.
- Do not wash the mower with a hose; avoid getting water in the motor and electrical connections.
- Remove the battery and store the idle lawn mower in a covered area when not in use. Allow the motor to cool before storing it in any enclosure. The lawn mower should be stored in a dry, high, or locked-up enclosure, out of reach of children.
- When servicing, use only identical EGO replacement parts. Use of parts that do not meet the original equipment specifications may lead to improper performance and compromised safety.
- Remove or disconnect the battery pack before servicing, cleaning, or removing material from the lawn mower.
- Follow instructions for lubricating and changing accessories.
- Keep handles dry, clean and free from oil and grease.
- To reduce a fire hazard, keep the motor cover free of grass, leaves and debris buildup.
- Check the blade bolts at frequent intervals for proper tightness. Also, visually inspect the blade for damage (e.g., bending, cracking and wear.). Replace the blade only with the identical EGO replacement blade, as listed in section "**RECOMMENDED ACCESSORIES**" in this manual.
- Maintain your mower with care – keep the mower blade sharp and clean for the best and safest performance. Mower blades are sharp and can cut. Wrap the blade or wear gloves and use extra caution when servicing it.
- Keep all nuts, bolts, and screws tight to be sure the equipment is in safe working condition.
- Never remove or tamper with safety devices. Regularly check their proper operation. Never do anything to interfere with the intended function of a safety device or to reduce the protection provided by a safety device.



- Always stop the motor before making adjustments to a wheel or a cutting-height adjustment.
- After striking a foreign object, stop the motor, remove the battery pack, allow the blade to stop rotating, and thoroughly inspect the mower for any damage. Repair the damage before operating the mower.
- Maintain or replace safety and instruction labels, as necessary.
- **SAVE THESE INSTRUCTIONS.** Refer to them frequently and use them to instruct others who may use this tool. If you lend this tool to someone else, also lend these instructions to them to prevent misuse of the product and possibly injury

INTRODUCTION

Congratulations on your selection of a new generation of 56V Lithium-ion powered lawn mower. It has been designed, engineered and manufactured to give you the best possible dependability and performance.

Should you experience any problem you cannot easily remedy, **please contact EGO Customer Service 1-855-EGO-5656.**


This manual contains important information on the safe assembly, operation and maintenance of your mower. Read it carefully before using the mower. Keep this manual handy so you can refer to it at any time.

SERIAL NUMBER _____ DATE OF PURCHASE _____

THE MODEL AND SERIAL NUMBERS WILL BE FOUND ON A LABEL ATTACHED ON THE REAR DISCHARGE DOOR.

YOU SHOULD RECORD BOTH SERIAL NUMBER AND DATE OF PURCHASE AND KEEP IN A SAFE PLACE FOR FUTURE REFERENCE

SPECIFICATIONS

Voltage	56 V 
Blade Speed Mode	TURBO
	2
	1
Approximate Cutting-Height Setting	
1	1 in (25 mm)
2	1-3/8 in (33 mm)
3	1-3/4 in (43 mm)
4	2 in (54 mm)
5	2-1/2 in (66 mm)
6	3 in (79 mm)
7	3-1/2 in (92 mm)
8	4 in (105 mm)
Deck Size	22 in (551 mm)
Grass Bag Volume	2.5 bu (85 L)
Ingress Protection Rating	IPX4* (Protected from splashing water)
Mower Weight (Without battery pack; with mulching insert)	83.8 lbs. (38 kg)
Recommended Operating Temperature	32 °F – 104 °F (0 °C – 40 °C)
Recommended Storage Temperature	-4 °F – 158 °F (-20 °C – 70 °C)

* **NOTE:** IPX4 rating is based on the machine and battery being used together as a system.

Approximate Runtime

	With BA5600T/BA5600T-FC Battery Pack
Mode 1	70 min
Mode 2	60 min
Mode TURBO	45 min

NOTICE: The actual runtime will vary with grass condition: species, density, moisture, etc.

Tips on Maximizing the Runtime

To get more out of your EGO mower, please follow these rules:

- Cut no more than 1.5 inch (38 mm) of grass in one pass.
- Move the mower at a moderate pace.
- Do not cut wet grass.
- Make sure the blades are sharp.
- Make sure that the underside of the deck is clean.

RECOMMENDED ACCESSORIES

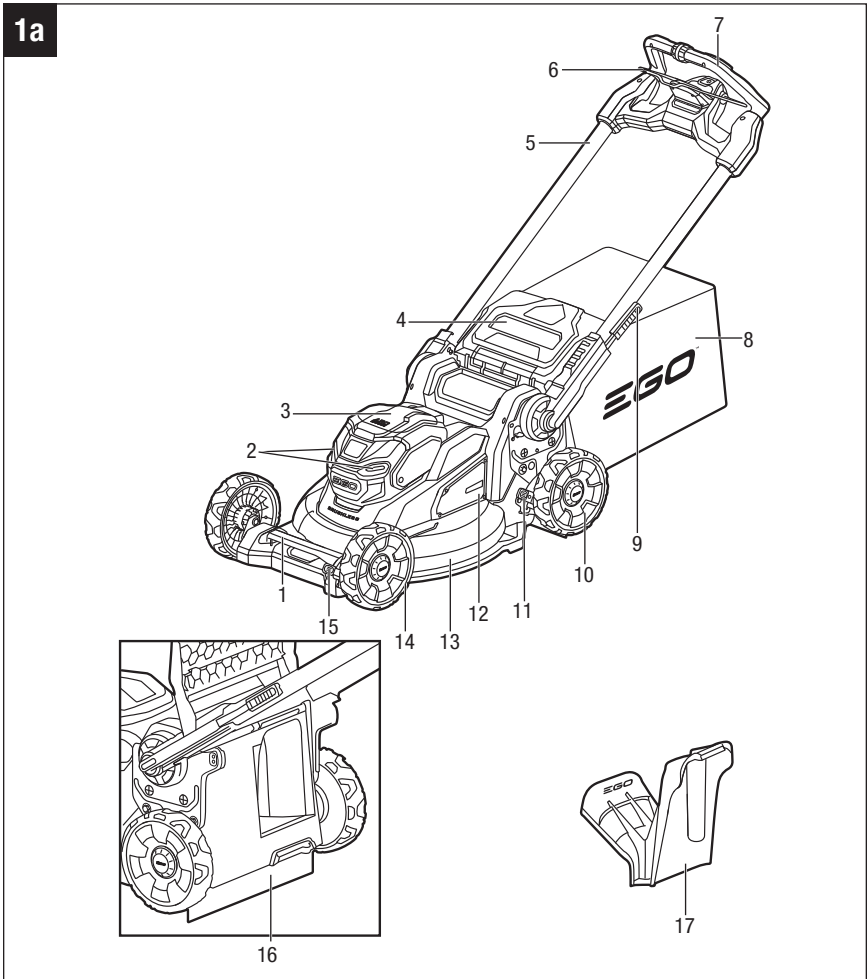
⚠ WARNING: The following part is subjected to be worn out from normal use. Use only identical EGO replacement parts listed below. Use of parts that do not meet the original equipment specifications may lead to improper performance and compromised safety.

PART NAME	MODEL NUMBER
EGO Mulching Blade Set	AB2200D
EGO High-Lift Bagging Blade Set	AB2201D

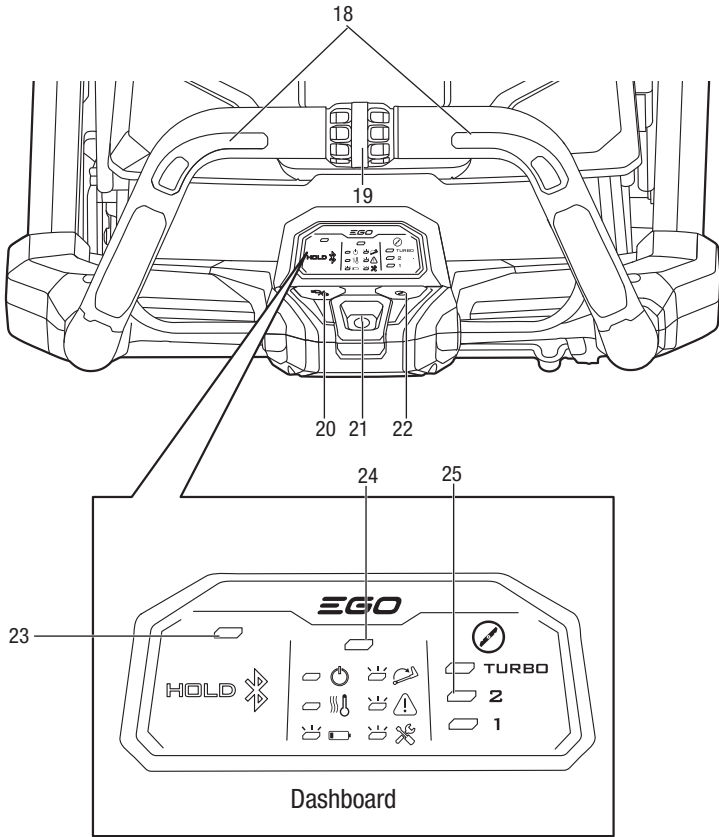
DESCRIPTION

KNOW YOUR LAWN MOWER (Fig. 1a & 1b)

The safe use of this product requires an understanding of the information on the machine and in this operator's manual, as well as knowledge of the project you are attempting. Before using this product, familiarize yourself with all operating features and safety rules.



1b



1. Front Handle
2. LED Headlights
3. Battery Compartment Cover
4. Rear Discharge Door
5. Side Rail
6. Bail Switch (Switch Lever)
7. Handle
8. Grass Bag
9. Quick-adjust Lever
10. Rear Wheel
11. Rear Cutting-height Adjustment Lever
12. Air Intake
13. Deck
14. Front Wheel
15. Front Cutting-height Adjustment Lever
16. Trailing Shield
17. Mulching Insert
18. Self-Propel Trigger
19. Self-Propel Speed Dial
20. LED Headlights Button (Bluetooth® Button)
21. Power Button
22. Blade Speed Mode Button
23. Bluetooth® Indicator
24. Mower Status Indicator
25. Blade Speed Indicator

POWER BUTTON

- When pressed briefly, the mower status indicator and default blade speed indicator (2) will light up.
- The power button must be pressed before the motor can be started.

BAIL SWITCH

The bail switch turns the blade motor ON and OFF.

SELF-PROPEL TRIGGER

Turns the self-propel function ON and OFF.

SELF-PROPEL SPEED DIAL

Increases or decreases the self-propel speed.

BLADE SPEED MODE BUTTON

Allows the user to select the blade speed mode, depending on grass conditions.

TRAILING SHIELD

Designed to reduce the risk of injury from thrown objects and/or blade contact.

MULCHING INSERT

For mulching the grass.

QUICK-ADJUST LEVER

Locks/unlocks the handle position when adjusting the angle of the mower handle:

1. Storage Position
2. Upper Operating Position
3. Middle Operating Position
4. Lower Operating Position

LED HEADLIGHTS

The LED headlights are located on the front of the mower and provide illumination for increased visibility.

FRONT/REAR CUTTING-HEIGHT ADJUSTMENT LEVER

Allow you to adjust the cutting height of the front and the rear of the mower individually.

BLUETOOTH® INDICATOR

Indicates the Bluetooth® connection status.

NOTE: The Bluetooth® word mark and logos are registered trademarks owned by Bluetooth SIG, inc. and any use of such marks by EGO is under license.

ASSEMBLY

⚠ WARNING: To prevent accidental starting that could cause serious personal injury, always remove the battery pack from the tool when assembling parts.

⚠ WARNING: Do not attempt to modify this machine or create accessories not recommended for use with this mower. Any such alteration or modification is misuse and could result in a hazardous condition leading to serious injury.

UNPACKING

- Remove all the accessories from the carton.

⚠ CAUTION: Heavy object. Two persons are required to lift the mower.

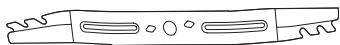
- One person should grasp the front handle and the other person should grasp the parts of the folded handle to carefully lift the mower out of the carton.
- Make sure that all items listed in the "**PACKING LIST**" are included.
- Inspect the product carefully to make sure that no breakage or damage occurred during shipping.
- Do not discard the packing material until you have carefully inspected and satisfactorily operated the mower.
- If any parts are damaged or missing, please return the mower to the place of purchase.

PACKING LIST

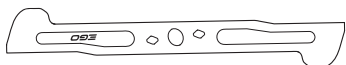
PART NAME	QUANTITY
Lawn Mower	1
Grass Bag	1
Grass-bag Frame	1
Mulching Insert (factory-installed in the mower)	1
EGO Mulching Blade Set (factory-installed in the mower)	1
Operator's Manual	1

SELECT CUT™ CUTTING SYSTEM

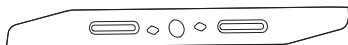
The **Select Cut™** multi-blade cutting system lets you use one of the two interchangeable lower blades: the **Mulching Lower Blade**, and the **High-Lift Bagging Lower Blade**.



The **Mulching Lower Blade** is specifically designed for premium mulching performance. This heavy-duty blade turns grass into fine fragments. Your mower is shipped with this blade already installed.



The **High-Lift Bagging Lower Blade** is specifically designed to provide extra suction ideal for bagging, leaving your yard free of clippings.



The **EGO Upper Blade** is used in combination with the lower blade chosen to slice the grass into fine fragments and greatly enhances cutting performance.

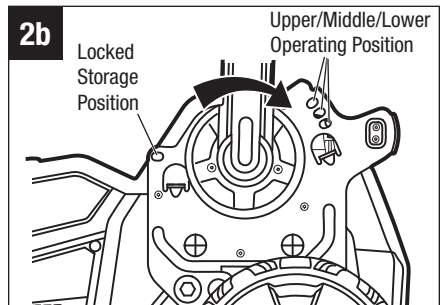
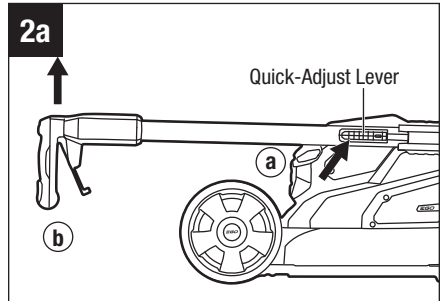
⚠ WARNING: Both Upper and Lower blade must be installed. The mower will not operate with only one blade installed.

ADJUSTING THE FOLDABLE HANDLE

⚠ WARNING: Do not attempt to start the mower or self-propel function until the handle has been locked at one of the three preset operating positions. (UPPER OPERATING POSITION, MIDDLE OPERATING POSITION and LOWER OPERATING POSITION).

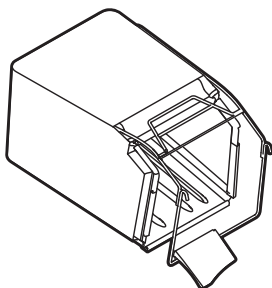
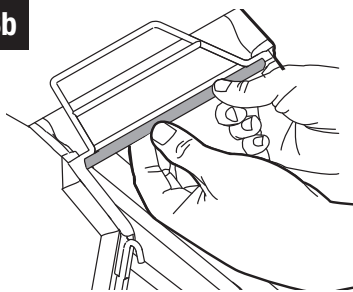
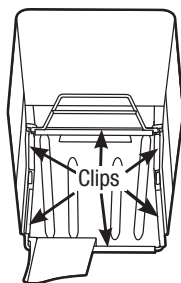
Your mower is shipped with the handle in the compact, LOCKED STORAGE POSITION (Fig. 2a).

1. Press and hold the quick-adjust lever to release the handle from the LOCKED STORAGE POSITION (Fig. 2a).
2. Lift the handle from its folded position, then release the lever. Gently pivot the handle upward until you hear and feel the lock pin engage in one of the three different positions as shown in the Fig. 2b.



ASSEMBLING THE GRASS BAG

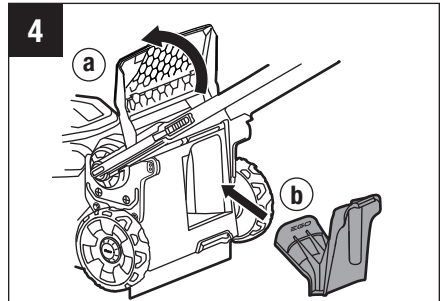
1. Check the grass bag before assembling, to make sure that there is no damage.
2. Slide the grass bag onto the frame, as shown in Fig. 3a.
3. Assemble the top clip to the frame, as shown in Fig. 3b, then assemble the two side clips. Assemble the bottom clip last.
4. The completely assembled grass bag is shown in Fig. 3c.

3a**3b****3c**

ATTACHING/REMOVING THE MULCHING INSERT (FIG. 4)

⚠ DANGER: The machine can throw grass clippings and other objects through an opening in the machine housing. Objects thrown with enough force could cause serious personal injury or death to you or to bystanders.

Never operate the mower without either the mulching insert, the grass bag, or the side-discharge chute properly installed.



1. Switch off the mower.
2. Remove the battery pack.
3. Position the mower on a level surface.
4. Lift the rear-discharge door.
5. Grasp the handle of the mulching insert and fully insert it into the mower, so that it is securely seated.
6. Release the rear-discharge door and make sure it rests firmly against the mulching insert.
7. **To remove the mulching insert**, lift the rear-discharge door, grasp the handle of the mulching insert, and pull it out.
8. Release the rear-discharge door.

⚠ WARNING: The mulching insert must be removed when installing the grass bag or side-discharge chute. The mulching insert must be re-installed when the grass bag or side-discharge chute is removed.

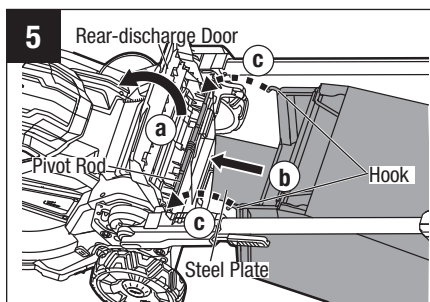
ATTACHING/REMOVING THE GRASS BAG (FIG. 5)

⚠ WARNING: Remove the mulching insert (factory-installed) or side-discharge chute before attaching the grass bag to the mower.

1. Switch off the mower and wait for the cutting blades to come to a complete stop.
2. Remove the battery pack.
3. Position the mower on a level surface.
4. Lift the rear-discharge door.
5. **REMOVE THE MULCHING INSERT (FACTORY-INSTALLED)** or the side-discharge chute.
6. First insert the steel plate of the grass bag into the mower, then hook the grass bag on the pivot rod. Release the rear-discharge door so that it rests on the grass bag.
7. **To remove the grass bag**, lift the rear-discharge door on the mower. Lift the grass bag up and off of the pivot rod.
8. Release the rear-discharge door.

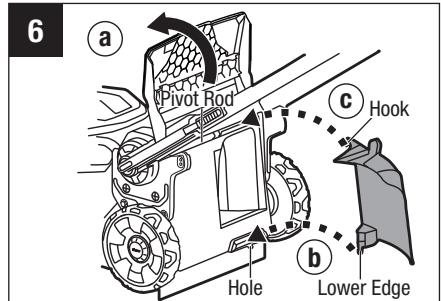
⚠ WARNING: When using the grass bag, never operate the mower unless the two hooks on the grass bag are firmly seated on the pivot rod and the rear-discharge door rests firmly against the top of the grass bag.

⚠ WARNING: Under normal usage, the grass bag material is subject to wear. To reduce the risk of injury, frequently inspect the grass bag and replace the bag if there are any signs of wear or deterioration. Use only grass bags manufactured for this mower.



ATTACHING/REMOVING THE SIDE-DISCHARGE CHUTE (NOT INCLUDED) (FIG. 6)

1. Switch off the mower.
2. Remove the battery pack.
3. Position the mower on a level surface.
4. Lift the rear-discharge door.
5. Remove the mulching insert (factory-installed) or the grass bag.
6. Align the lower edge of the side-discharge chute with the hole of the doorsill and insert it into the hole.
7. Hook the top of the side-discharge chute on the pivot rod. Check to see that it is securely seated in the place.
8. Release the rear-discharge door and make sure that it rests firmly against the side-discharge chute.
9. **To remove the side-discharge chute**, lift the rear-discharge door, lift the side-discharge chute up and pull it out.
10. Release the rear-discharge door.



⚠ WARNING: The mulching insert must be removed before attaching the side-discharge chute.

CUTTING-HEIGHT ADJUSTMENT (FIG. 7a & 7b)

⚠ WARNING: Keep your feet away from the deck when adjusting the cutting height.

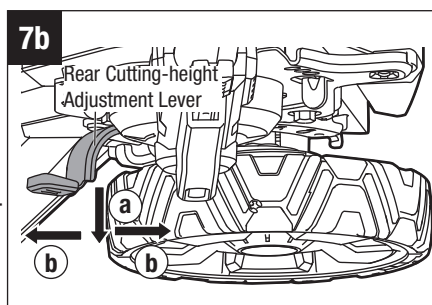
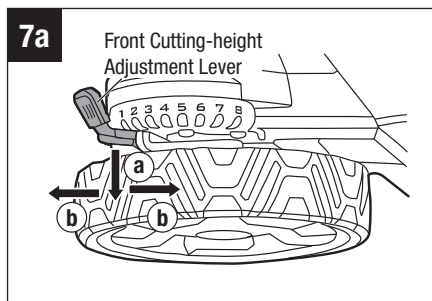
The mower can be set to 8 cutting heights between 1 in (25 mm) and 4 in (105 mm). A marking indicates the selected cutting height.

This mower allows you to adjust the cutting height of the front and the rear of the mower individually. For most users it is recommended to keep both front and rear cutting heights at identical settings. More experienced users may prefer greater control over the deck height for specific cuts. For example, lowering the front of the mower slightly will cause greater suction which can be useful in improved bagging, side discharge, and leaf disposal.

Choose the proper cutting height according to the type and condition of the grass to be cut.

1. Switch off the mower and wait for the cutting blade to come to a complete stop.
2. Remove the battery pack.
3. Pull the front or rear cutting height adjustment lever out of the detent and set it to the desired position.

NOTE: To avoid overloading the motor, avoid setting the cutting height too low in tall grass. If the motor speed begins to slow, raise the cutting height.



OPERATION

⚠ WARNING: Always remove the battery pack from the product when you are assembling parts, making adjustments, cleaning, or when not in use. Removing the battery pack will prevent accidental starting that could cause serious personal injury.

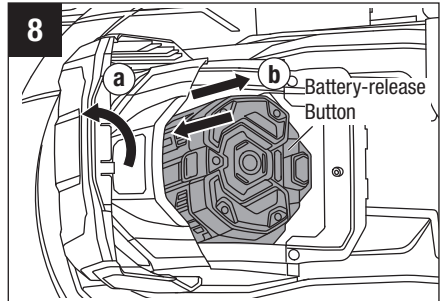
ATTACHING/DETACHING THE BATTERY PACK (FIG. 8)

NOTE: Charge the battery pack before first use.

1. Raise the battery compartment cover by lifting the rear of the cover.
2. Align the grooves in the battery pack, with the raised ribs in the battery compartment, and then insert the battery pack into the compartment.
3. Push the battery pack until you hear a “click”. The battery-release button will spring up when the battery pack is securely attached.

NOTICE: Make sure that the latch in the battery compartment snaps into place and that the battery pack is secured to the mower before starting operation.

4. To detach the battery pack, depress the battery-release button to release the battery pack, and then lift it out of the compartment.
5. Close the battery compartment cover.



SELECTING BLADE SPEED MODE (FIG. 9)

Select Blade Speed Mode

The mower features three blade speed modes:

- **Mode TURBO** is high blade speed mode for high-lift performance to improve suction force or cutting performance.
- **Mode 2** is the best balance between performance and runtime.
- **Mode 1** provides the lowest noise level and longest runtime from your battery pack.

NOTE: Higher blade speed will significantly affect runtime.

Select among **mode TURBO, 2, or 1** by sequentially pressing the blade speed mode button.

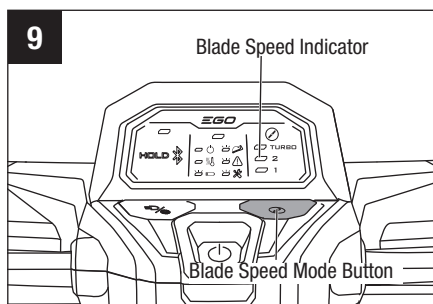
NOTE: The default blade speed mode is **2**.

BLUETOOTH® WIRELESS TECHNOLOGY

Products with built-in Bluetooth® wireless technology can connect to mobile devices.

To install EGO Connect™ app

1. Download EGO Connect™ app on your mobile device.
2. Create a new account in EGO Connect™ app. If you already have an account, skip to step 4.
3. An e-mail will be sent to the registered e-mail address. Follow the instructions in the e-mail to validate your account.
4. Log in to your EGO account in EGO Connect™ app.



To pair EGO Connect™ and the product

Press the Bluetooth® button for 5 seconds, then wait for the product to connect. The Bluetooth® indicator will flash blue during pairing.

The Bluetooth® indicator will glow solid blue when the product is connected to your mobile device.

Follow the instructions in EGO Connect™ app.

STARTING/STOPPING THE MOWER

⚠ WARNING: The operation of any lawn mower can result in foreign objects being thrown into your or others' eyes, which can damage eyes severely. Always wear safety glasses while operating the mower or while performing any adjustments or repairs on the mower.

⚠ WARNING: Ensure that other people and pets remain at least 100 ft. (30 m) away from the mower when it is in use.

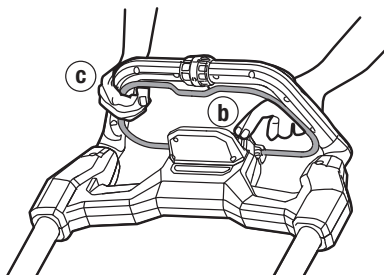
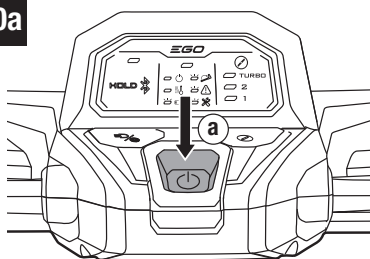
NOTICE: The blade will continue to rotate for a few seconds after the mower is turned off. Allow the motor/blade to stop rotating before starting it again. Do not rapidly turn the mower off and on.

⚠ CAUTION: Do not attempt to override the operation of the power button and bail switch.

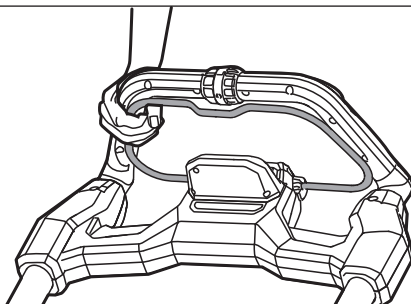
To start the mower (Fig. 10a & 10b)

1. Attach the battery pack to the mower and close the battery compartment cover.
2. Press the power button to illuminate the dashboard, and the mower status indicator – the blade speed indicator for **mode 2** will light up.
3. Press the blade speed mode button to select the desired speed, refer to the section "**Selecting Blade Speed Mode**" in this manual.
4. Press and hold the power button.
5. With the power button pressed, pull the bail switch to meet the handle. The mower will start.
6. Release the power button.

10a

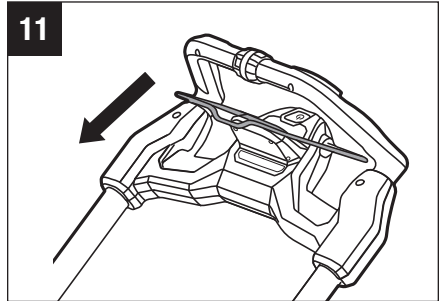


10b



To stop the mower (Fig. 11)

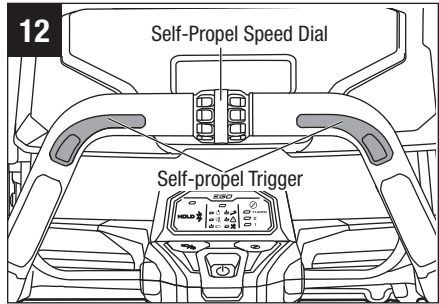
1. Fully release the bail switch.
2. The electric brake in the Automatic Braking Mechanism will stop the blade rotation within 3 seconds of the blade rotation trigger release.



VARIABLE-SPEED SELF-PROPEL SYSTEM (FIG. 12)

The mower is equipped with variable-speed, self-propel capability. To increase the speed, rotate the self-propel speed dial forward. To decrease the speed, rotate the self-propel speed dial backward.

NOTICE: The self-propel function will be disabled (OFF) when the self-propel speed control dial is rotated backward to the lowest position.



WHEN THE MOWER IS SHIPPED, THE SPEED DIAL IS FACTORY-SET AT THE LOWEST (OFF) POSITION. Before starting the self-propel function for the first time, slightly rotate the self-propel speed dial forward.

This self-propel system is independent from the blade rotation. For example, when you have completed cutting your lawn, you can use the self-propel to propel the mower back to your storage location without blade rotation. Or you may choose to operate the mower as a push mower to maximize battery runtime.

To operate the self-propel system without blades rotation

Slightly rotate the self-propel speed dial forward until a click can be heard, then press the self-propel trigger(s). There are two self-propel triggers, press either of them to start the self-propel function.

To turn the self-propel off, release the self-propel trigger.

To operate the self-propel system with the blades rotation

1. Press the power button to illuminate the dashboard.

2. Press the blade speed mode button to select the desired speed.
3. Press the power button.
4. With the power button pressed, pull the bail switch against the handle to start the mower, then release the power button.
5. Hold the bail switch against the handle with either of your hands. Press either of the self-propel triggers to start the self-propel function.
6. With one hand holding both the bail switch and the self-propel trigger against the handle, use the other hand to adjust the self-propel speed-control dial to choose the desired speed.

NOTICE: When you turn off the self-propel, for example, at the end of a row, it may become temporarily locked if you pull backwards on the mower. Simply push ahead slightly and then move the mower as required.

NOTICE: It may, at times, be easier to mow around an object with the self-propel turned off.

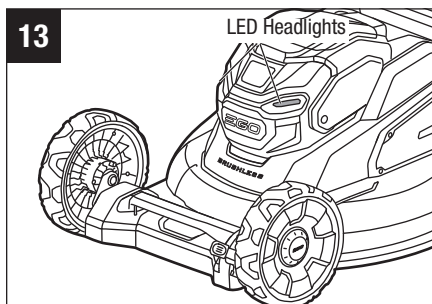
⚠ WARNING: To reduce the risk of injury, never attempt to override the operation of the bail switch or self-propel system. Use the self-propel system for its intended purpose only.

LED HEADLIGHTS (FIG. 13)

The LED headlights are located on the front of the battery compartment (Fig. 13).





To turn on the headlights, press the LED headlights button. The headlights provide bright light in front of the mower.



To turn off the headlights, press the button again.



MOWER STATUS INDICATORS (Fig. 1b)

The mower status indicator on the dashboard shows the working status of the mower.

Indicator	Description	Meaning	Action
	Solid green	Mower is working properly.	None required.
	Flashing green	The handle is not locked in an operating position.	Stop the mower and make sure that the handle is locked in one of the three operating positions.
	Flashing red	Low battery charge.	Stop the mower and charge the battery pack.
	Solid orange	Mower is overheated.	Release the bail switch, wait until the mower temperature drops below 176 °F (80 °C). See " MOWER HIGH-TEMPERATURE PROTECTION " below.

Indicator	Description	Meaning	Action
	Flashing orange	The mower is overloaded.	<ol style="list-style-type: none"> 1. Remove the battery pack, then check if grass has accumulated beneath the deck. Clean if necessary. 2. Slow down your stride when cutting. 3. Raise the cutting height. 4. If above solutions do not work, please contact EGO Customer Service. <p>See "MOWER OVERLOAD PROTECTION" below.</p>
	Flashing red/green alternately	The mower electronics error.	Contact EGO Customer Service.

MOWER HIGH-TEMPERATURE PROTECTION

If the mower temperature exceeds 194 °F (90 °C) during operation, the temperature-protection circuit will immediately shut off the mower to prevent overheating damage.

The mower status indicator will glow solid orange. Release the blade rotation trigger and wait until the overheated mower cools down and the status indicator turns green, then restart the mower.

MOWER OVERLOAD PROTECTION

To prevent overload conditions, do not try to remove too much grass at one time. Slow down your stride or raise the cut height.

Your mower has built-in overload circuit protection. When the mower is overloaded, the motor will stop and the mower status indicator on the dashboard will flash orange.

MOWING TIPS

NOTICE: A sharp blade will greatly enhance the performance of the mower, especially when cutting tall grass. Make sure to check the sharpness of the blade before mowing.

- Verify that the lawn is free of stones, sticks, wires, and other objects which could damage the lawn mower or motor. Such objects could be accidentally thrown by the mower in any direction and could cause serious personal injury to the operator and to others.

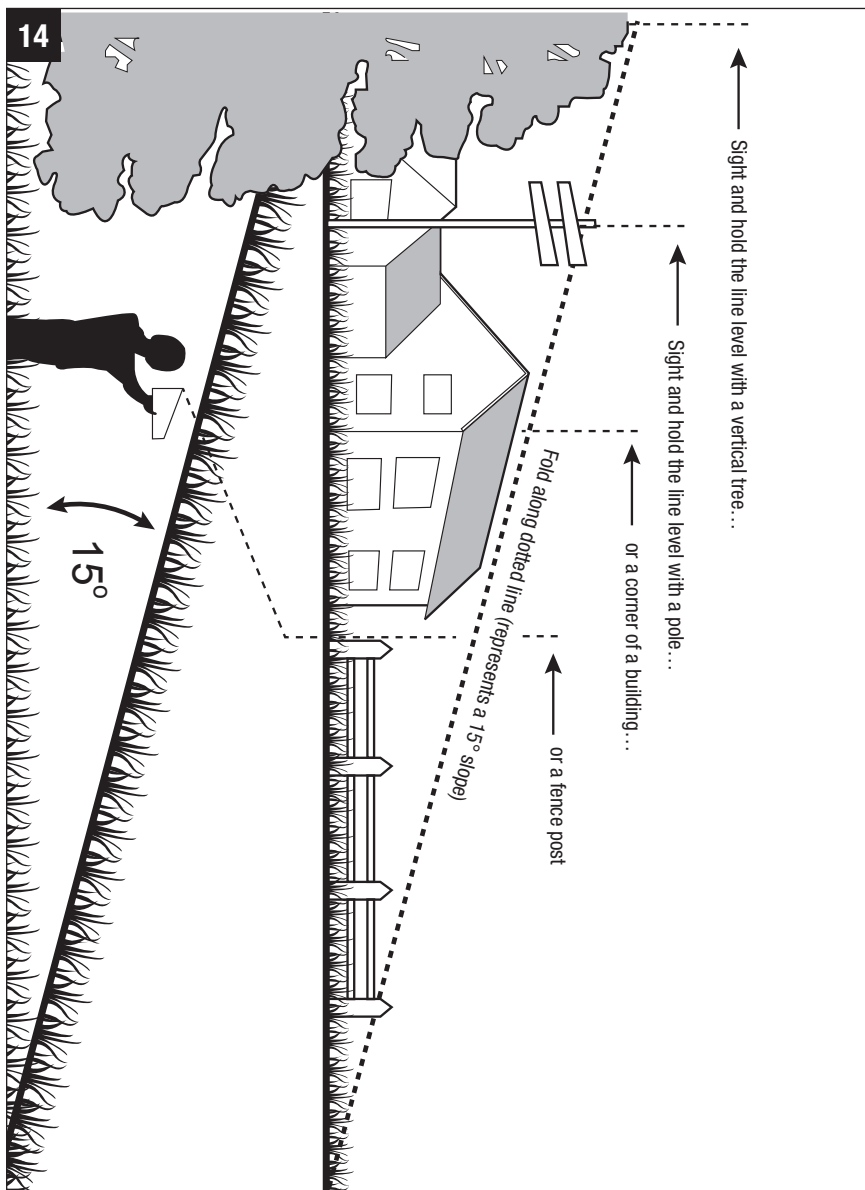
⚠ WARNING: If you strike a foreign object, stop the motor and remove the battery. Thoroughly inspect the mower for any damage, and repair the damage before restarting and operating the mower. Excessive vibration of the mower during operation is an indication of damage. The unit should be promptly inspected and repaired.

- For best results, do not mow in circles. Travel back and forth across the lawn.
- When cutting thick grass, reduce your walking speed in order to allow for a more effective cut and a proper discharge of the clippings.
- To maintain a healthy lawn, cut off only one-third or less of the total length of the grass. The average lawn should be approximately 1-1/2 to 2 inches (38 to 53 mm) long during cool months, and between 2 to 3-1/4 inches (53 to 83 mm) long during hot months.

SLOPE GAUGE (FIG. 14)

⚠ WARNING: Do not mow a slope that has an angle of greater than 15° (a rise of approximately 2-1/2 ft. (0.75 m) every 10 ft. (3 m)). Mow across the face of a slope and never up and down.

Use Fig. 14 as a guide in order to identify slopes that cannot be mowed safely.



MULCHING TIPS

⚠ WARNING: Inspect the area where the mower is to be used and remove all stones, sticks, wire and other debris that might be thrown by the rotating blade.

- Release the blades rotation trigger to turn off the mower when crossing any graveled areas; stones can be thrown by the rotating blades.
- Set the mower to the highest cutting height when mowing on uneven ground or in tall growth.
- For effective mulching, do not cut wet grass; it tends to stick to the underside of the deck, preventing the proper mulching of grass clippings. The best time to mow grass is in the late afternoon, when the grass is dry and the newly cut area will not be exposed to direct sunlight.
- For the best mulching performance, set the cutting height to remove approximately one third of the grass blade length, ideally no more than 1-1/2" (38 mm) at one time. If the grass is overgrown, it may be necessary to increase the cut height to make it easier to mow and to prevent overloading the motor. Slow your cutting pace in tall or thick grass conditions. For mulching extremely thick or tall grass, it is advisable to first cut at a high cut-height setting, and then re-cut to the final cut height. Otherwise, make narrower cuts and mow slowly. **ALWAYS MAKE SURE THAT THE BLADES ARE SHARP.**

MAINTENANCE

⚠ WARNING: To avoid serious personal injury, always remove the battery pack from the mower before cleaning or performing any maintenance.

⚠ WARNING: When servicing, use only identical replacement parts. Use of any other parts may create a hazard or cause product damage. To ensure safety and reliability, all repairs should be performed by a qualified service technician.

CLEANING THE MOWER

⚠ WARNING: Always remove the battery pack from the mower when cleaning or performing any maintenance.

The underside of mower deck should be cleaned after each use, as grass clippings, leaves, dirt, and other debris will accumulate. This accumulation is undesirable; it will promote rust and corrosion.

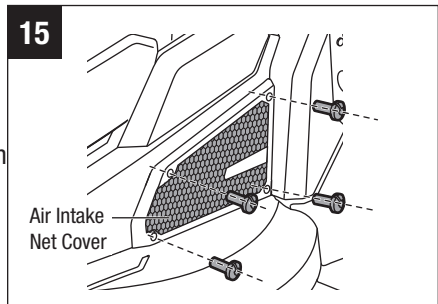
Remove any buildup of grass and leaves on or around the drive shaft and motor fan (do not use water). Wipe the mower clean with a damp cloth.

Cleaning the Air Intake

1. Use a T25 Torx screwdriver or flat-head screwdriver (not included) to remove the air intake net cover by removing the four screws as shown in Fig. 15.
2. Clean the inside of the air intake and net cover with compressed air.

⚠ WARNING: Always wear safety goggles when cleaning the air intake with compressed air.

⚠ WARNING: The air intake must be kept clean and free of foreign objects.



REPLACING THE BLADES

⚠ WARNING: Always protect your hands by wearing heavy gloves or wrapping the cutting edges with rags or other materials when performing any maintenance on the mower blades. Always remove the battery pack when servicing or transporting the mower.

NOTICE: The following tools (not included) are required for replacement of the blades:

- 9/16" (14 mm) adjustable wrench (impact wrench with 9/16" (14 mm) socket is recommended)
- Torque wrench with 9/16" (14 mm) socket
- Manual screwdriver or metal rod with a diameter of 5/16" (8 mm) or less
- Manual screwdriver or metal rod with a diameter of 1/4" (6.35 mm) or less

Replacing the Blade Set

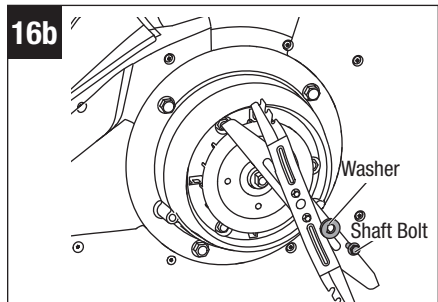
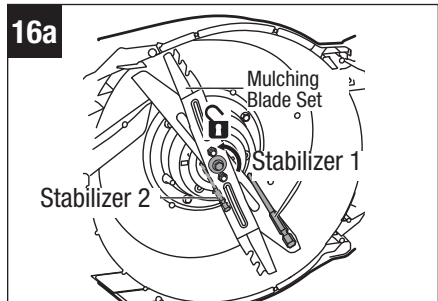
To remove the blade set

Fig. 16a shows the mulching blade set.

1. Stop the motor, remove the battery pack and grass bag from the mower.
2. Turn the mower on its side.
3. Insert a metal rod (stabilizer 1) \varnothing 5/16" (8 mm) or less in the stabilizer hole to prevent the blade set from rotating when loosening the shaft bolt.
4. Use the 9/16" (14 mm) wrench to turn the shaft bolt COUNTERCLOCKWISE to loosen and remove the shaft bolt (Fig. 16a).

NOTICE: If the shaft bolt rotates with the motor shaft when loosening the shaft bolt, place another metal rod with diameter less than 1/4 in (6.35 mm) into the hole in the fan to act as stabilizer 2.

5. Remove the washer and the blade set (Fig. 16b).
6. Leave the fan on the motor shaft.



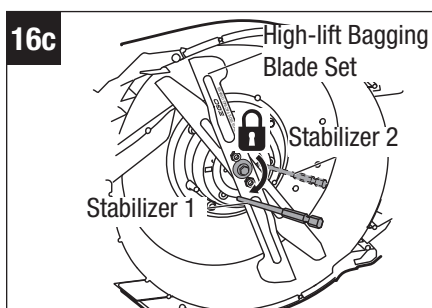
To replace the blade set

Fig. 16c shows the high-lift bagging blade set (not included).

NOTICE: To re-install or replace the blade set, be sure to replace the parts in the exact order in which they were removed.

7. Position the blade set onto the inner flange of the fan with the lower blade surface marked **“THIS SIDE FACING GRASS”** facing toward the outside.
8. Align the washer with the motor shaft and assemble it in place.
9. Mount the shaft bolt into the shaft and finger-tighten the bolt **CLOCKWISE**.
10. Insert the metal rod (stabilizer 1) as aid as shown in Fig. 16c.
11. Use the 9/16" (14 mm) torque wrench to tighten the shaft bolt **CLOCKWISE**. The recommended torque for the blade set bolt is 36-43 ft-lb (50-60 Nm).

NOTICE: If the shaft bolt rotates with the motor shaft when tightening the bolt, place another small metal rod to act as stabilizer 2.



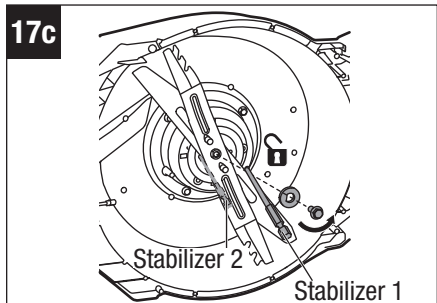
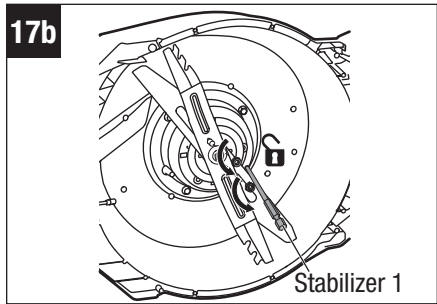
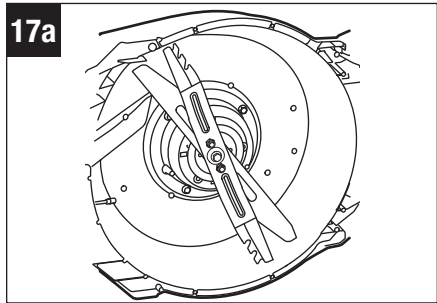
Replacing the Blades Separately

To remove the blades

1. Stop the motor; remove the battery pack from the mower.
2. Turn the mower on its side (Fig. 17a).
3. Wear protective gloves. Insert the metal rod with a diameter of $5/16$ " (8 mm) in the stabilizer hole (stabilizer 1) to block the blades. Use a the $9/16$ " (14 mm) wrench to loosen and remove the two nuts (Fig. 17b). **SAVE THE TWO NUTS FOR LATER BLADES REASSEMBLY.**
4. Use the wrench to loosen and remove the shaft bolt and washer (Fig. 17c).

NOTICE: If the shaft bolt rotates with the motor shaft during loosening, place another metal rod with diameter less than $1/4$ " (6.35 mm) into the smaller hole in the fan to act as stabilizer 2.

5. Remove the Mulching Lower Blade and Upper Blade from the motor shaft (Fig. 17d). Remove the two bolts from the upper blade. **SAVE THE TWO BOLTS FOR LATER BLADES REASSEMBLY.**
6. Leave the fan on the motor shaft. Be sure that the fan blade is facing towards the deck (Fig. 17e).



To install the blades

NOTICE: To re-install or replace the blade(s), be sure to assemble the parts in the exact order in which they were removed, especially ensuring that the statements "**THIS SIDE FACING GRASS**" on the upper blade and lower blade are facing toward the outside.

7. Wear protective gloves.
8. Insert the two bolts into the upper blade from the back side that states "**THIS SIDE FACING GRASS**" and then position the upper blade onto the motor shaft (Fig. 17f).

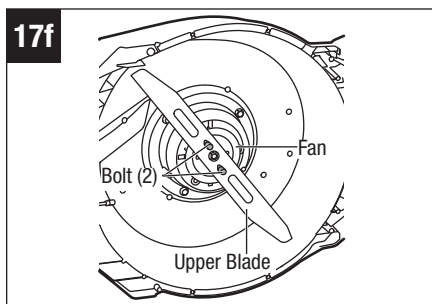
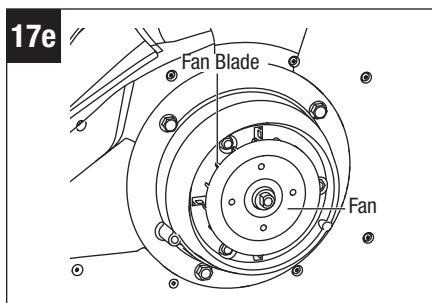
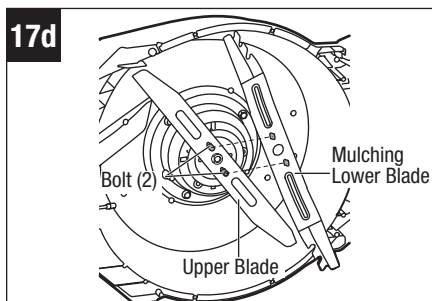
NOTICE: The diamond protrusion on the bolts should be aligned with the diamond hole in the upper blade (Fig. 17g).

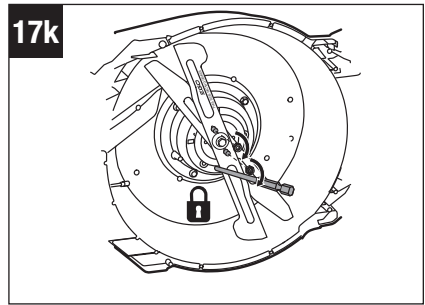
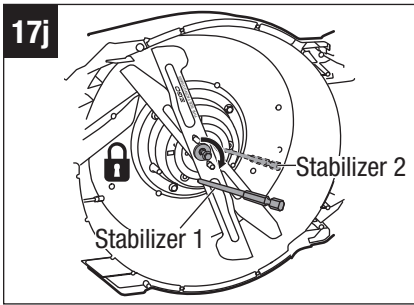
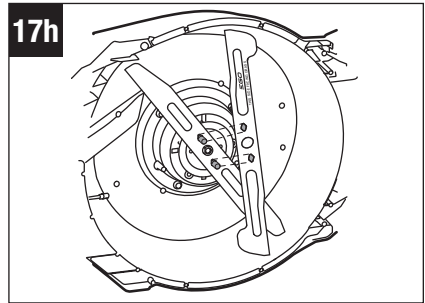
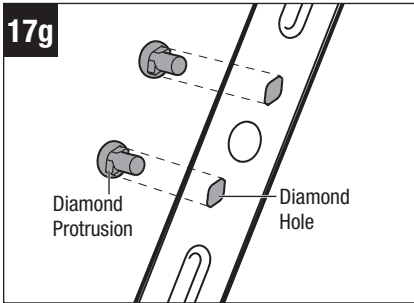
9. Depending on your preference, mount the chosen lower blade onto the motor shaft (refer to the chapter "**SELECT CUT™ CUTTING SYSTEM**" in this manual). Fig. 17h is illustrating the High-Lift Bagging Lower Blade (not included).

NOTICE: The diamond hole in the lower blade should fit into the diamond protrusion on the bolts.

10. Insert the metal rod to block the blades, install the washer and shaft bolt onto the motor shaft and finger-tighten the shaft bolt **CLOCKWISE**. Tighten shaft bolt to 36-43 ft-lb (50-60 Nm) (Fig. 17j).

NOTICE: If the shaft bolt rotates with the motor shaft during tightening, place another metal rod into the smaller hole in the fan to act as stabilizer 2.





11. Install the two nuts onto the bolts and finger-tighten them **CLOCKWISE**. Tighten two nuts to 22 ft-lb (30 Nm) (Fig. 17k).

SHARPENING THE BLADES

⚠ WARNING: Always protect your hands by wearing heavy gloves or wrapping the cutting edges with rags or other materials when performing any maintenance on the mower blades. Always remove the battery pack when servicing or transporting the mower.

⚠ WARNING: Use proper eye protection while removing, sharpening, and installing the blades.

⚠ WARNING: A worn, cracked, or damaged blade can break and pieces of the damaged blade can become dangerous projectiles. Thrown objects can cause serious injury. Inspect the blade regularly and do not operate the mower with a worn or damaged blade.

NOTICE: Keep the blade sharp for best mower performance. A dull blade does not cut grass cleanly or mulch properly.

A dull blade can be sharpened, but a blade that is excessively worn, bent, cracked, or otherwise damaged must be replaced. A worn or damaged blade can break, causing blade pieces to be thrown from the mower.

If the blade is found to be bent, take the lawn mower to an authorized EGO service center for inspection.

Sharpening Frequency

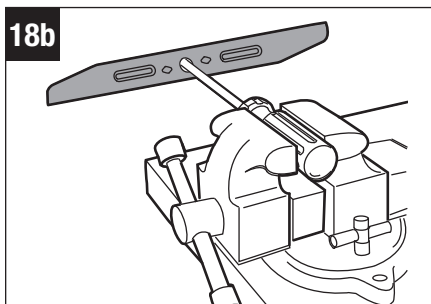
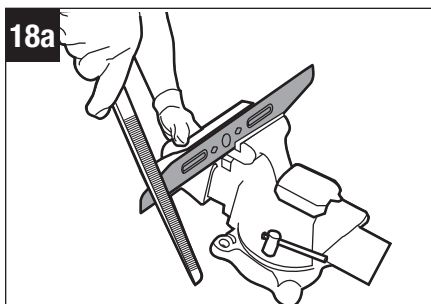
Sharpening the blade twice during a mowing season is usually sufficient under normal circumstances. Sand causes the blade to dull quickly; if your lawn has sandy soil, more frequent sharpening may be required.

When Sharpening the Blade:

- Make sure that the blade remains balanced.
- Sharpen the blade at the original cutting angle.
- Sharpen the cutting edges on both ends of the blade, removing an equal amount of material from each end.

To Sharpen a Blade in a Vise:

1. Remove the blade from the mower.
2. Secure the blade in a vise (Fig. 18a).
3. Wear proper eye protection and gloves and be careful not to cut yourself.
4. Carefully file the cutting edges of the blade with a fine-tooth file or sharpening stone, maintaining the original cutting angle.
5. To check the blade balance: clamp a nail or a screwdriver with a round shank in the horizontal position. Position the blade so that the nail or round shank of the screwdriver supports the blade through its center hole. Balance the blade horizontally. If either end of the blade rotates downward, remove some metal from



the heavy or lower end until the blade is balanced. It is balanced when neither end drops (Fig. 18b).

6. Replace the blade on the mower and tighten it securely.

⚠ WARNING: An unbalanced blade will cause excessive vibration when rotating at high speeds. It may cause damage to the mower and could break, causing personal injury.

LUBRICATING THE MOWER

All of the bearings in this product are lubricated with a sufficient amount of high grade lubricant for the life of the unit under normal operating conditions. Therefore, no further bearing lubrication is required.

STORING THE MOWER

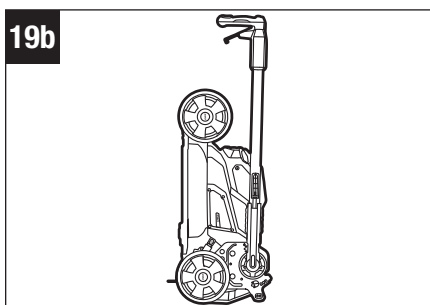
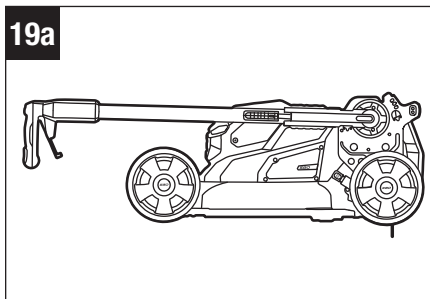
The following steps should be taken in order to prepare the lawn mower for storage.

1. Remove the battery pack from the mower and store it at room temperature in a dry location.
2. Clean the mower as described earlier in the "**MAINTENANCE**" section.
3. Inspect the blade and replace it or sharpen it if required.
4. Store the mower in a dry, clean location. Do not store it next to corrosive materials, such as fertilizer or rock salt.
5. Store the mower in a covered and enclosed space that is cool and dry and out of the reach of children.
6. Do not cover the lawn mower with a solid plastic sheet. Plastic coverings trap moisture around the mower, which causes rust and corrosion.

The handle can be folded away completely for storage:

1. Remove the grass bag.
2. Adjust the front/rear cutting-height adjustment lever to the lowest setting height.
3. Fold down the handle to the locked storage position, refer to the section "**ADJUSTING THE FOLDABLE HANDLE**" in this manual.
4. Store the mower flat (recommended) or upright (Fig. 19a & 19b).

⚠ WARNING: If the mower tips over from the upright position, mower damage or personal injury may result. Always keep the mower stable and out of the reach of children when it is in the upright position. If possible, lay it flat for storage.



TROUBLESHOOTING

PROBLEM	CAUSE	SOLUTION
The mower or self-propel system fails to start.	<ul style="list-style-type: none"> ■ The battery pack charge is depleted. 	<ul style="list-style-type: none"> ■ Charge the battery pack.
	<ul style="list-style-type: none"> ■ The battery pack is not properly inserted into the battery compartment. 	<ul style="list-style-type: none"> ■ Insert the battery pack into battery compartment until you hear a "click".
	<ul style="list-style-type: none"> ■ The handle is not locked in an operating position and the mower status indicator flashes green. 	<ul style="list-style-type: none"> ■ Stop the mower and make sure that the handle is locked in one of the operating positions.
	<ul style="list-style-type: none"> ■ The mower deck is clogged with grass and debris. 	<ul style="list-style-type: none"> ■ Clean the mower deck and ensure that the blade has freedom of movement.
	<ul style="list-style-type: none"> ■ The self-propel speed dial is in the lowest (OFF) position. 	<ul style="list-style-type: none"> ■ Slightly rotate the self-propel speed dial forward, then press the self-propel trigger.
The mower cuts unevenly.	<ul style="list-style-type: none"> ■ The blade is dull. 	<ul style="list-style-type: none"> ■ Sharpen or replace the blade.
	<ul style="list-style-type: none"> ■ The grass-cutting height is not set properly. 	<ul style="list-style-type: none"> ■ Move the deck height to a higher setting.
	<ul style="list-style-type: none"> ■ The blade is installed incorrectly. 	<ul style="list-style-type: none"> ■ Re-install the blade, following the section "INSTALLING THE BLADES" in this manual.
	<ul style="list-style-type: none"> ■ The blade speed mode is not set properly. 	<ul style="list-style-type: none"> ■ Select a proper blade speed mode.
Short runtime of the mower with included battery.	<ul style="list-style-type: none"> ■ Grass conditions and cutting-height setting will greatly affect the battery run time. The claimed run time is based on a light load condition. 	<ul style="list-style-type: none"> ■ Raise the blade height and slow your pace to reduce the cutting load.
	<ul style="list-style-type: none"> ■ The blade speed mode is not set properly. 	<ul style="list-style-type: none"> ■ Select a slower blade speed mode.

PROBLEM	CAUSE	SOLUTION
The mower does not mulch properly.	<ul style="list-style-type: none"> ■ Wet grass clippings are sticking to the underside of the deck. 	<ul style="list-style-type: none"> ■ Wait until the grass dries before mowing.
	<ul style="list-style-type: none"> ■ The mower is set to cut too much grass at once. 	<ul style="list-style-type: none"> ■ Raise the deck to a higher cutting-height setting.
	<ul style="list-style-type: none"> ■ The blade speed mode is not set properly. 	<ul style="list-style-type: none"> ■ Select 2 or 1 blade speed mode.
The mower unexpectedly stops while mowing.	<ul style="list-style-type: none"> ■ The battery pack charge is depleted. 	<ul style="list-style-type: none"> ■ Charge the battery pack.
	<ul style="list-style-type: none"> ■ Mower is overloaded and the mower status indicator flashes orange. 	<ul style="list-style-type: none"> ■ Check if grass has accumulated beneath the deck and clean if needed. Raise the cutting height or slow down the mowing.
	<ul style="list-style-type: none"> ■ Mower deck is clogged with grass and debris. 	<ul style="list-style-type: none"> ■ Unclog the mower deck. Raise the cutting height and/or cut a narrower swath.
	<ul style="list-style-type: none"> ■ The battery pack or mower circuitry is too hot. If the battery pack is overheated the mower status indicator goes off. If the mower is overheated the mower status indicator glow solid orange. 	<ul style="list-style-type: none"> ■ Allow the battery pack or mower to cool down. ■ Clean the air intake, following the section "Cleaning the Air Intake".
	<ul style="list-style-type: none"> ■ The blade speed mode is not set properly. 	<ul style="list-style-type: none"> ■ Select the blade speed to a lower setting.
	<ul style="list-style-type: none"> ■ The mower electronics error and the mower status indicator flashes red/green alternately. 	<ul style="list-style-type: none"> ■ Contact EGO Customer Service.

PROBLEM	CAUSE	SOLUTION
There is excessive vibration.	<ul style="list-style-type: none"> ■ The cutting blade set is loose. 	<ul style="list-style-type: none"> ■ Tighten the shaft bolt.
	<ul style="list-style-type: none"> ■ The cutting blade set is unbalanced. 	<ul style="list-style-type: none"> ■ Balance the blade set following the “SHARPENING THE BLADES”.
	<ul style="list-style-type: none"> ■ The cutting blade(s) is bent. 	<ul style="list-style-type: none"> ■ Replace the blade(s).
	<ul style="list-style-type: none"> ■ The motor shaft is bent. 	<ul style="list-style-type: none"> ■ Contact EGO Customer Service.
	<ul style="list-style-type: none"> ■ The mower is set to cut too much grass at once. 	<ul style="list-style-type: none"> ■ Raise the deck to a higher cutting-height setting.
	<ul style="list-style-type: none"> ■ The blade speed mode is not set properly. 	<ul style="list-style-type: none"> ■ Select the blade speed to a lower setting.
Mower is difficult to be pulled back after the self propel is turned off.	<ul style="list-style-type: none"> ■ The wheels are temporarily locked. 	<ul style="list-style-type: none"> ■ Simply push ahead slightly or raise the rear wheels and then move the mower as desired.
Mower is difficult to maneuver when mowing around an object or mowing back and forth with self-propel turned on.	<ul style="list-style-type: none"> ■ The wheels are temporarily locked. 	<ul style="list-style-type: none"> ■ Turn off the self propel.
The motor works but the blade set doesn't cut the grass.	<ul style="list-style-type: none"> ■ The shaft bolt is not tightened to the required torque. 	<ul style="list-style-type: none"> ■ Re-tighten the shaft bolt. The recommended torque is 36-43 ft-lb (50-60 Nm).



EGO LIMITED WARRANTY

WARRANTY POLICY TERMS AND DURATION

Chervon North America, Inc. (“Chervon North America”) provides the following Limited Warranty for EGO products to the original purchaser of EGO products.

The detailed warranty period for each EGO product can be found online at <http://egopowerplus.com/warranty-policy>.

Please contact EGO Customer Service Toll-Free at 1-855-EGO-5656 any time you have questions or warranty claims or would like a hard copy of the warranty.

LIMITED SERVICE WARRANTY

EGO products are warranted against defects in material or workmanship from the date of original retail purchase for the applicable warranty period. For any properly and timely submitted warranty claim, if Chervon North America determines a product to be defective during the warranty period, the product will receive free repair or replacement as determined by Chervon North America.

HOW TO OBTAIN SERVICE

For warranty service, within the applicable warranty period, please contact EGO customer service toll-free at 1-855-EGO-5656. When requesting warranty service, you must present the original dated sales receipt. An authorized service center will be selected to evaluate and repair the product if defective according to the stated warranty terms. When bringing your product to the authorized service center, there may be a small deposit that will be required when dropping off your tool. This deposit is refundable when the repair service is deemed to be covered under warranty.

ADDITIONAL LIMITATIONS & EXCLUSIONS

This limited warranty applies only to the original purchaser from an authorized EGO retailer and is not transferable. EGO products shall not be considered defective, and this warranty will not apply, where the claimed defect is attributable to any cause other than the above-defined defects. This warranty shall be void if the product has been used for rental purposes. This warranty shall not apply to damage caused by accident, abuse, misuse, alteration, modification, unauthorized repair, liquid contact, fire, earthquake or other external cause; operating the product outside EGO’s instructions, specifications or guidelines; or failure to properly service or maintain the product. This warranty also



does not apply to cosmetic damage, including but not limited to scratches or dents; defects caused by normal wear and tear or otherwise due to the normal aging of the product.

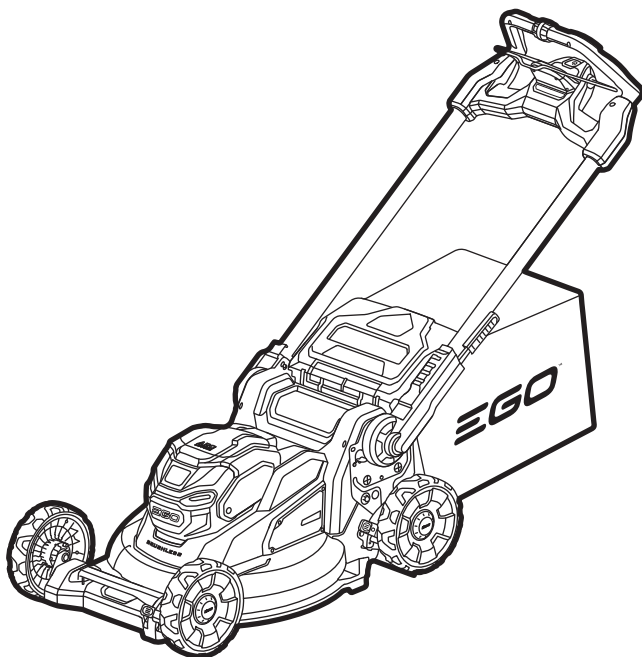
THIS EXPRESS WARRANTY IS GIVEN IN LIEU OF ALL OTHER WARRANTIES, EXPRESS OR IMPLIED, INCLUDING, BUT NOT LIMITED TO, ANY WARRANTIES OF MERCHANTABILITY OR FITNESS FOR PARTICULAR PURPOSE OR USE, WHICH ARE DISCLAIMED. Any implied warranties, including warranties of merchantability or fitness for a particular purpose, that cannot be disclaimed under state law are limited to the applicable warranty period defined at the beginning of this article. The sole and exclusive remedy in connection with the purchase, installation, use, and/or performance of the EGO products is repair or replacement of the product as determined by Chervon North America. Chervon North America's maximum liability shall not in any case exceed the purchase price paid for the product. CHERVON NORTH AMERICA SHALL NOT BE LIABLE TO THE USER OR TO ANYONE ELSE FOR CONSEQUENTIAL, INCIDENTAL, SPECIAL, EXEMPLARY, INDIRECT, OR PUNITIVE DAMAGES ARISING FROM USE OF THE PRODUCTS, INCLUDING BUT NOT LIMITED TO PERSONAL INJURY, DEATH, PROPERTY DAMAGE, LOST PROFITS, OR OTHER ECONOMIC INJURY. This warranty gives you specific legal rights, and you may also have other rights which vary from state to state. Some states do not allow limitations on how long an implied warranty lasts, the exclusion or limitation of incidental or consequential damages, or the limitations on time to bring certain actions, so such limitations contained herein do not apply to individual consumers in those states.

This warranty is subject to and shall be interpreted according to Michigan law without regard to principles of conflicts of laws. No legal action shall be brought against Chervon North America unless filed within one (1) year after the basis for such legal action becomes known, or with the exercise of reasonable diligence should have become known. Any action not timely filed shall be deemed waived.

For customer service contact us toll-free at: **1-855-EGO-5656** or **EGOPOWERPLUS.COM**.
EGO Customer Service, 769 SEWARD AVE NW / Suite 102 Grand Rapids, MI 49504

EGO™

POWER⁺ MOWER



GUIDE D'UTILISATION

TONDEUSE À GAZON DE 22 PO SANS FIL À PILES AU LITHIUM-ION DE 56 V

NUMÉRO DE MODÈLE LM2200SP/LM2200SP-FC

⚠ AVERTISSEMENT : Afin de réduire les risques de blessure, l'utilisateur doit lire et comprendre le guide d'utilisation avant d'utiliser ce produit. Conservez le présent guide afin de pouvoir le consulter ultérieurement.

LISEZ TOUTES LES INSTRUCTIONS !



LISEZ LE MODE D'EMPLOI ET
ASSUREZ-VOUS QUE VOUS LE COMPRENEZ

TABLE DES MATIÈRES

Symboles relatifs à la sécurité	55
Symboles	56-58
Règles relatives à la sécurité pour la tondeuse à gazon sans fil.	59-66
Introduction	67
Spécifications	68
Accessoires recommandés	69
Description	70-74
Assemblage	74-81
Fonctionnement	82-92
Maintenance	93-101
Recherche de la cause des problèmes	102-106
Garantie limitée d'EGO	107-108

SYMBOLES RELATIFS À LA SÉCURITÉ

La raison d'être des symboles relatifs à la sécurité est d'attirer votre attention sur des dangers possibles. Il est important de vous familiariser avec les symboles relatifs à la sécurité et les explications qui les accompagnent afin de bien les comprendre. Les avertissements et les symboles associés ne suffisent pas à éliminer tous les dangers. Les instructions et les avertissements qu'ils donnent ne sauraient remplacer des mesures de prévention des accidents appropriées.

⚠ AVERTISSEMENT : Lisez toutes les consignes de sécurité qui sont contenue dans ce Mode d'emploi, y compris tous les symboles d'alerte relatifs à la sécurité tels que « **DANGER** », « **AVERTISSEMENT** » et « **MISE EN GARDE** », et assurez-vous que vous les comprenez bien avant de commencer à utiliser cet outil. La non-observation de toutes les instructions figurant ci-après pourrait causer un choc électrique, un incendie et/ou des blessures personnelles graves.

Les définitions ci-dessous décrivent le niveau de gravité pour chaque terme signalant un danger. Veuillez lire le mode d'emploi et lire la signification de ces symboles.

	<p>C'est le symbole d'alerte relatif à la sécurité. Il est utilisé pour vous avertir de l'existence possible d'un danger de lésion corporelle. Obéissez à tous les messages relatifs à la sécurité qui suivent ce symbole pour éviter tout risque de blessure ou même de mort.</p>
	<p>DANGER indique une situation dangereuse qui, si elle n'est pas évitée, causera la mort d'une personne ou une blessure grave.</p>
	<p>AVERTISSEMENT indique une situation dangereuse qui, si elle n'est pas évitée, causera la mort d'une personne ou une blessure grave.</p>
	<p>MISE EN GARDE, conjointement avec le symbole d'alerte en liaison avec la sécurité, indique une situation dangereuse qui, si elle n'est pas évitée, causera une blessure légère ou modérée.</p>

MESSAGES D'INFORMATION ET DE PRÉVENTION DES DOMMAGES






Ils informent l'utilisateur d'informations et/ou d'instructions importantes qui pourraient entraîner des dommages matériels ou aux équipements s'ils ne sont pas suivis. Chaque message est précédé par le terme « **AVIS** », comme dans l'exemple ci-dessous :

AVIS : Un dommage matériel et/ou aux équipements peut survenir si ces instructions ne sont pas suivies.

SYMBOLS

Cette page représente et décrit les symboles de sécurité qui peuvent figurer sur ce produit. Lisez, comprenez et suivez toutes les instructions figurant sur la lampe avant de l'assembler et de commencer à l'utiliser.

	<p>Alerte de sécurité</p>	<p>Indique un risque de blessure.</p>
	<p>Protection des yeux</p>	<p>Portez toujours des lunettes de protection ou des lunettes de sécurité à écrans latéraux et un masque couvrant tout le visage lors de l'utilisation de ce produit.</p>
	<p>Lisez le mode d'emploi, et assurez-vous que vous le comprenez.</p>	<p>Pour réduire le risque de blessure, l'utilisateur doit lire et comprendre le mode d'emploi avant d'utiliser ce produit.</p>
	<p>Entretenez les dispositifs de sécurité.</p>	<p>N'ouvrez pas de boucliers de sécurité ou n'en retirez pas pendant que l'outil est en train de fonctionner.</p>
	<p>Regardez derrière vous lorsque vous reculez.</p>	<p>Regardez en bas et derrière vous pour ne pas risquer de trébucher avant de reculer.</p>
	<p>DANGER — Gardez vos mains et vos pieds éloignés</p>	<p>Pour réduire le risque de blessure, gardez les mains et les pieds à une distance suffisante des pièces en mouvement. N'utilisez pas la tondeuse si la goulotte de décharge latérale ou le sac à herbe n'est pas à sa place. Si la goulotte ou le sac est endommagé, remplacez-le immédiatement.</p>
	<p>DANGER — Tenez les autres personnes présentes suffisamment éloignées.</p>	<p>Ne tondez pas lorsque des enfants ou d'autres personnes sont à proximité.</p>

	DANGER — Projection de débris possible	Retirez tous les objets qui pourraient être projetés par la lame dans une direction quelconque. Portez des lunettes de sécurité.
	DANGER — Risque associé à une pente fortement inclinée	Faites particulièrement attention sur les pentes. Si l'inclinaison de la pente est supérieure à 15 degrés, ne tondez pas.
	Symboles de recyclage	Ce produit utilise des piles au lithium-ion (Li-ion). Les lois et règlements locaux, provinciaux et fédéraux interdisent peut-être de jeter des piles au lithium-ion dans les ordures ordinaires. Consultez votre service municipal responsable de la gestion des déchets pour déterminer quelles sont les options de recyclage et/ou d'élimination possibles.
	Bluetooth®	Symbole Bluetooth®
IP...	Indice de protection (IP)	Classifie le degré de protection fourni par une enceinte pour le matériel électrique
V	Volt	Tension
	Courant continu	Type ou caractéristique du courant
mm	Millimètre	Longueur ou la taille
in.	po	Longueur ou la taille
kg	Kilogramme	Poids
lb	lb	Poids
L	Litre	Volume
bu	Boisseau	Volume
min	Minutes	Heure
n_0	Vitesse à vide	Vitesse de rotation à vide

RPM	Tours par minute	Vitesse de rotation
°C	Degrés Celsius	Température
°F	Degrés Fahrenheit	Température

⚠ AVERTISSEMENT : Pour assurer la sécurité et la fiabilité, toutes les réparations doivent être effectuées par un technicien de service qualifié.

RÈGLES RELATIVES À LA SÉCURITÉ POUR LA TON- DEUSE À GAZON SANS FIL

⚠ DANGER : Cette machine a été construite pour être utilisée conformément aux règles pour une utilisation sans danger qui figurent dans ce mode d'emploi. Comme c'est le cas avec tous les types d'équipements électriques, une négligence ou une erreur de la part de l'opérateur peut causer une blessure grave. Cette machine est capable d'amputer des mains et des pieds, et de projeter des objets. Le non-respect de toutes ces consignes de sécurité pourrait causer la mort ou une blessure grave.

⚠ AVERTISSEMENT : Lorsque vous utilisez des tondeuses à gazon électriques, prenez toujours des précautions élémentaires en matière de sécurité pour réduire le risque d'incendie, de choc électrique et de blessures. Ces précautions élémentaires incluent ce qui suit :

ENFANTS

Des accidents tragiques peuvent se produire si l'opérateur ignore la présence d'enfants. Les enfants sont souvent attirés par une tondeuse à gazon et son activité. Ils ne comprennent pas les dangers. Ne supposez jamais que les enfants resteront là où vous les avez vus en dernier.

- Gardez les enfants en dehors de la zone où vous tondez du gazon, et laissez-les sous le contrôle attentif d'un adulte responsable autre que l'opérateur.
- Soyez toujours alerte et arrêtez la tondeuse si un enfant pénètre dans la zone où vous tondez du gazon.
- Soyez extrêmement prudent(e) lorsque vous approchez de coins sans visibilité, de portes, d'arbustes, d'arbres ou d'autres objets qui peuvent obscurcir votre vision d'un enfant qui pourrait heurter la tondeuse.
- Ne permettez jamais à des enfants de moins de 14 ans d'utiliser une tondeuse électrique. Les enfants âgés de 14 ans et plus doivent lire et comprendre les instructions d'utilisation et les consignes de sécurité de ce mode d'emploi, et ils doivent avoir reçu une formation et être supervisés par un parent. Seules des personnes responsables qui connaissent ces règles relatives à une utilisation sans danger doivent être autorisés à utiliser cette machine.

UTILISATION

UTILISATION GÉNÉRALE :

- Lisez attentivement ce mode d'emploi dans son intégralité avant de tenter d'assembler cette machine. Lisez, comprenez et suivez toutes les instructions figurant sur la machine et dans les modes d'emploi avant de commencer à l'utiliser. Familiarisez-vous complètement avec les commandes et l'utilisation appropriée de cette machine avant de commencer à l'utiliser. Gardez ce mode d'emploi en lieu sûr en vue de référence future et de consultation fréquente ainsi que pour commander des pièces de rechange.
- Restez alerte – Surveillez attentivement ce que vous êtes en train de faire. Faites preuve de bon sens. N'utilisez pas la tondeuse à gazon lorsque vous êtes fatigué(e).
- N'utilisez pas la machine pendant que vous êtes sous l'influence d'alcool ou de drogues.
- Gardez les enfants à distance – Tous les visiteurs doivent rester à une distance de sécurité par rapport à la zone de travail.
- Gardez les mains et les pieds à une distance suffisante de la zone de coupe.
- N'utilisez pas cette machine sous la pluie.
- Utilisez l'équipement approprié – N'utilisez pas une tondeuse à gazon conçue pour une tâche différente de celle pour laquelle vous voulez l'utiliser. Votre tondeuse à gazon a été conçue pour n'accomplir qu'une seule et unique tâche : tondre le gazon.
- Ne vous penchez pas au-dessus de la tondeuse à gazon – Veillez à toujours garder un bon équilibre et un appui stable.
- Des objets heurtés par la lame de la tondeuse à gazon peuvent causer de graves blessures aux personnes se trouvant à proximité. Il faut toujours examiner attentivement la pelouse et en retirer tous les objets pouvant s'y trouver avant de commencer à utiliser la tondeuse à gazon.
- Avant de reculer et pendant que vous reculez avec la tondeuse, regardez derrière vous et en dessous de vous pour vous assurer qu'il n'y a pas de petits enfants ou d'autres personnes.
- Ne forcez pas la tondeuse à gazon – elle fera du meilleur travail et limitant les dangers au minimum si elle est utilisée à la vitesse pour laquelle elle a été conçue.
- Planifiez votre travail de tonte de façon à éviter de rejeter des matériaux déchargés

vers des routes, des trottoirs, des passants et ainsi de suite. Par ailleurs, évitez de décharger des matériaux contre des murs ou des obstructions, car cela pourrait avoir pour effet que les matériaux déchargés rebondiraient vers l'opérateur.

- Pour limiter les risques de contact avec la lame ou de blessure résultant de la projection d'objets, restez dans la zone de l'opérateur derrière les poignées et faites en sorte que les enfants, les observateurs, les personnes qui vous aident et les animaux de compagnie restent à au moins 30 m / 100 pi de la tondeuse pendant que celle-ci est en marche. Arrêtez la machine si quelqu'un entre dans la zone.
- Portez toujours des lunettes de protection ou des lunettes de sécurité pendant l'utilisation, ainsi que pendant que vous effectuez des réglages ou des réparations afin de protéger vos yeux. La projection d'objet qui rebondissent peut causer des blessures graves aux yeux. Utilisez toujours un masque antipoussière ou une protection du visage si la tâche que vous allez accomplir va produire de la poussière.
- Habillez-vous correctement – Ne portez pas de vêtements amples ou de bijoux. Ils risqueraient d'être happés par des pièces mobiles. Le port de gants en caoutchouc et de chaussures de travail est recommandé si vous travaillez à l'extérieur. Portez des chaussures de travail solides avec des semelles robustes ainsi que des pantalons et chemises qui collent au corps. Des chemises et des pantalons qui couvrent les bras et les jambes et des chaussures renforcées d'acier pour protéger les orteils sont recommandées. N'utilisez jamais cette machine les pieds nus ou avec des sandales ou d'autres chaussures glissantes ou légères (par exemple en toile).
- Ne tirez jamais la tondeuse en arrière vers vous pendant que vous marchez. Si vous devez faire marche arrière à la tondeuse parce qu'elle est fassée à un mur ou à une obstruction, regardez d'abord en bas et derrière vous pour ne pas risquer de trébucher, puis suivez la procédure ci-dessous :
- Éloignez-vous de la tondeuse jusqu'à ce que vous ne la teniez plus qu'à bout de bras.
- Assurez-vous que vous avez un bon équilibre sur vos pieds.
- Tirez lentement sur la tondeuse pour la faire reculer, mais pas plus qu'à la moitié de la distance initiale à laquelle vous étiez par rapport à elle.
- Répétez cette procédure suivant les besoins.
- Faites en sorte que personne, tout particulièrement de petits enfants, ne se trouve dans la zone de travail. Arrêtez la machine et l'attachement/les attachements si quelqu'un entre dans la zone.

- La poignée de commande du moteur/de la lame est un dispositif de sécurité. Ne tentez jamais de vous en passer. Vous rendriez ainsi ce dispositif de sécurité inefficace, ce qui pourrait causer des blessures en cas de contact avec la lame en rotation. La poignée de contrôle du moteur/de la lame doit pouvoir fonctionner facilement dans les deux sens et revenir automatiquement dans la position désengagée quand elle est relâchée.
- Évitez les environnements dangereux – N'utilisez pas les tondeuses à gazon dans des endroits humides ou mouillés afin de ne pas risquer de glisser et de tomber pendant leur utilisation.
- Soyez toujours sûr(e) de votre équilibre. Une glissade et une chute pourraient causer de graves blessures. Si vous sentez que vous perdez pied, relâchez immédiatement la poignée de commande du moteur / de la lame, et la lame cessera de tourner dans les trois secondes qui suivent.
- Ne tondez que pendant la journée, ou avec un bon éclairage artificiel. Marchez, ne courez jamais, pendant que vous utilisez la tondeuse.
- Arrêtez la lame lorsque vous traversez des voies couvertes de gravier, des trottoirs ou des routes.
- Si l'équipement commence à vibrer de façon anormale, arrêtez immédiatement le moteur, retirez le bloc-piles et recherchez la cause du problème. Des vibrations sont généralement un signe avant-coureur d'un problème.
- Veillez à ce que personne ne se trouve jamais en face des orifices de décharge.
- Avant de nettoyer la machine, de déboucher la goulotte ou de retirer ou remplacer le sac à herbe, l'élément amovible pour le déchiquetage ou la goulotte d'éjection latérale, coupez le moteur et attendez l'arrêt complet de la lame, puis retirez le bloc-piles. La lame de coupe continue à tourner pendant quelques secondes après l'arrêt du moteur. Ne placez jamais aucune partie de votre corps dans la zone de la lame avant de vous être assuré(e) que la lame a cessé de tourner.
- Ne faites jamais fonctionner la tondeuse sans le bouclier arrière, la porte de la goulotte de décharge latérale, le sac à herbe, l'élément amovible pour le déchiquetage, la goulotte de décharge latérale, la poignée de commande du moteur / de la lame ou les autres dispositifs de protection appropriés pour la sécurité en place et en état de marche. N'utilisez jamais la tondeuse si certains de ses dispositifs de sécurité sont endommagés. Sinon, vous risqueriez de causer des blessures.
- Débrayez le mécanisme d'autopropulsion ou l'embrayage d'entraînement sur les appareils qui en sont équipés avant de faire démarrer le moteur.

- Prévenez une mise en marche accidentelle. Assurez-vous que l'interrupteur est dans la position d'arrêt avant de le connecter au bloc-piles, ou de soulever ou de transporter votre outil. Le fait de transporter un outil électrique avec le doigt sur l'interrupteur ou de le mettre sous tension avec l'interrupteur en position de marche invite les accidents.
- Débranchez le bloc-piles de votre outil avant d'y apporter de quelconques modifications, de changer des accessoires ou de ranger l'outil. De telles mesures de sécurité préventives réduisent le risque de démarrage accidentel de l'outil.
- Ne rechargez l'outil qu'avec le chargeur indiqué par le fabricant. Un chargeur qui est approprié pour un type de bloc-piles pourrait créer un risque d'incendie quand il est utilisé avec un autre bloc-piles.
- Utilisez la machine exclusivement avec des blocs-piles conçus spécifiquement pour celle-ci. L'emploi de tout autre bloc-piles risquerait de causer des blessures et un incendie.

BLOC-PILES	CHARGEUR
BA1400, BA1400-FC, BA2800, BA2800-FC, BA4200, BA4200-FC, BA1400T, BA1400T-FC, BA2242T, BA2242T-FC, BA2800T, BA2800T-FC, BA3360T, BA3360T-FC, BA4200T, BA4200T-FC, BA4480T, BA4480T-FC, BA5600T, BA5600T-FC, BA6720T, BA6720T-FC	CH2100, CH2100-FC, CH3200, CH3200-FC, CH5500, CH5500-FC, CH2800D, CH2800D-FC, CH7000, CH7000-FC

- Lorsque le bloc-piles n'est pas utilisé, gardez-le à une distance suffisante des autres objets en métal, comme des trombones, pièces de monnaie, clés, clous, vis ou autres petits objets en métal qui pourraient faire une connexion entre une borne et une autre. Le court-circuitage des bornes d'une pile pourrait causer des brûlures ou un incendie.
- Dans des conditions d'utilisation abusives, du liquide pourrait être éjecté de la pile; évitez tout contact avec ce liquide. En cas de contact accidentel, lavez avec de l'eau. En cas de contact de liquide avec les yeux, consultez un professionnel de santé. Tout liquide éjecté d'une pile peut causer de l'irritation ou des brûlures.
- N'utilisez pas un bloc-piles ou un équipement qui est endommagé ou qui a été modifié. Des piles endommagées ou modifiées peuvent se comporter de façon imprévisible et causer un incendie, une explosion ou des blessures.
- N'exposez pas un bloc-piles ou un luminaire à un incendie ou à une température excessive. L'exposition à un feu ou à une température supérieure à 130° C / 265° F pourrait causer une explosion.

- Suivez toutes les instructions relatives à la charge et ne chargez pas le bloc-piles ou l'équipement en dehors de la plage de température indiquée dans les instructions. Une charge dans des conditions appropriées ou à des températures en dehors de la plage spécifiée pourrait endommager les piles et augmenter le risque d'incendie.
- Faites entretenir votre produit par un réparateur compétent n'utilisant que des pièces de rechange identiques. Ceci assurera le maintien de la sécurité du produit.
- Ne modifiez pas et ne tentez pas de réparer la machine ou le bloc-piles, sauf conformément à ce qui est indiqué dans les instructions d'entretien et d'utilisation.
- Si des situations qui ne sont pas traitées dans ce mode d'emploi surviennent, faites attention et utilisez votre jugement. Contactez le centre de service à la clientèle de EGO pour obtenir de l'assistance.

UTILISATION SUR UN SOL EN PENTE :

Les pentes sont un facteur important d'accidents associés à des glissades et à des chutes pouvant causer de graves blessures. Une utilisation de la tondeuse sur un sol en pente nécessite de prendre des précautions supplémentaires. Si vous vous sentez mal à l'aise sur un sol en pente, ne tondez pas l'herbe qui y pousse. Pour votre propre sécurité, consultez la rubrique concernant la jauge de pente dans ce mode d'emploi pour apprendre à mesurer l'inclinaison avant d'utiliser la tondeuse sur un terrain en pente ou accidenté. Si l'inclinaison de la pente est supérieure à 15 degrés, ne tondez pas.

Avant de nettoyer la machine, de déboucher la goulotte ou de retirer ou remplacer le sac à herbe, l'élément amovible pour le déchiquetage ou la goulotte d'éjection latérale, coupez le moteur et attendez l'arrêt complet de la lame, puis retirez le bloc-piles. La lame de coupe continue à tourner pendant quelques secondes après l'arrêt du moteur. Ne placez jamais aucune partie de votre corps dans la zone de la lame avant de vous être assuré(e) que la lame a cessé de tourner.

N'utilisez pas la machine dans des conditions où la stabilité est remise en question. Les pneus peuvent glisser même si les roues sont arrêtées.

Faites preuve d'une grande prudence lorsque vous utilisez une machine équipée d'un bac de ramassage d'herbe, car il peut affecter la stabilité de la machine.

Faites ce qui suit :

- Tondez horizontalement / latéralement sur des pentes ; ne tondez jamais vers le haut et vers le bas. Faites preuve d'une grande prudence lorsque vous changez de direction sur une pente.

- Faites attention aux trous, ornières, rochers, objets peu visibles ou bosses qui pourraient vous faire glisser ou trébucher. Des herbes hautes peuvent dissimuler des obstacles.

Ne faites pas ce qui suit :

- Ne tondez pas à proximité de talus, de fossés ou de remblais ; vous risqueriez de perdre l'équilibre.
- Ne tondez pas des pentes inclinées de plus de 15 degrés, en vous servant de la jauge de détermination de l'inclinaison comme guide.
- Ne tondez pas de l'herbe mouillée. Si vous n'êtes pas bien équilibré(e), vous risquez de glisser.

SERVICE APRÈS-VENTE

⚠ AVERTISSEMENT : Les composants du sac à herbe, le cache de la goulotte de décharge, la goulotte de décharge latérale, l'élément amovible pour le déchiquetage et le bouclier arrière sont sujets à usure et à endommagement, ce qui pourrait exposer les pièces mobiles ou permettre à des objets d'être projetés et augmenter le risque de blessures. Pour assurer la protection et la sécurité, inspectez fréquemment tous les composants et remplacez immédiatement les composants endommagés par des pièces de rechange EGO identiques.

- Si l'interrupteur de protection contre les surcharges qui est intégré à la tondeuse se déclenche fréquemment, contactez le service clientèle d'EGO ou le centre de service après-vente d'EGO le plus proche.
- Ne lavez pas la tondeuse avec un tuyau flexible. Évitez de faire pénétrer de l'eau dans le moteur et les connexions électriques.
- Retirez le bloc-piles et rangez la tondeuse à gazon inutilisée dans un endroit couvert lorsqu'elle n'est pas utilisée. Laissez le moteur refroidir avant de le ranger dans un endroit clos. La tondeuse à gazon doit être conservée dans un endroit sec, en hauteur ou clos, hors de portée des enfants.
- Lors de toute réparation, n'utilisez que des pièces de rechange EGO identiques. L'utilisation de pièces qui ne répondent pas aux spécifications des équipements d'origine pourrait causer une performance inadéquate et compromettre la sécurité.
- Retirez ou déconnectez le bloc-piles avant toute opération de maintenance ou de nettoyage, ou avant de retirer des matériaux de la tondeuse à gazon.

- Suivez les instructions pour le graissage ainsi que pour le changement d'accessoires.
- Gardez les poignées propres, sèches et exemptes de toute trace d'huile ou de graisse.
- Pour réduire le risque d'incendie, assurez-vous qu'il n'y a pas d'herbe, de feuilles ou de débris accumulés.
- Vérifiez fréquemment les boulons de fixation de la lame et du moteur pour vous assurer qu'ils sont bien serrés. Inspectez aussi visuellement la lame pour vous assurer qu'elle n'est pas endommagée (p. ex., tordue, fissurée ou usée). Remplacez la lame uniquement par une lame de rechange EGO identique, comme indiqué dans le chapitre intitulé « **ACCESSOIRES RECOMMANDÉS** » de ce mode d'emploi.
- Entretenez soigneusement votre tondeuse – une lame propre et bien affûtée assurera la meilleure performance possible en toute sécurité. Les lames des tondeuses sont tranchantes et peuvent vous couper. Enveloppez la lame ou portez des gants, et prenez toutes les précautions nécessaires lorsque vous la manipulez pour l'entretien.
- Assurez-vous que les tous les écrous et boulons, ainsi que toutes les vis, sont bien serrés pour que l'équipement puisse continuer à fonctionner sans danger.
- Ne retirez jamais de dispositifs de sécurité, et ne les modifiez pas. Vérifiez périodiquement qu'ils fonctionnent correctement. Ne faites jamais rien qui interfère avec la fonction prévue d'un dispositif de sécurité ou pour réduire la protection fournie par un dispositif de sécurité.
- Arrêtez toujours le moteur avant de réaliser des réglages d'une roue ou de la hauteur de coupe.
- Si vous heurtez un corps étranger, arrêtez le moteur, retirez le bloc-piles, laissez la lame s'arrêter de tourner et inspectez soigneusement la tondeuse pour déceler tout dommage éventuel. Réparez tout dommage avant de remettre la tondeuse en marche.
- Assurez la lisibilité continue des étiquettes de sécurité et d'instructions, ou remplacez-les si besoin est.
- **CONSERVEZ CES INSTRUCTIONS.** Consultez-les fréquemment et utilisez-les pour donner les instructions nécessaires à d'autres personnes qui peuvent utiliser cet outil. Si vous prêtez cet outil à quelqu'un d'autre, donnez-lui également ces instructions pour éviter toute utilisation abusive du produit et tout risque de blessure.

INTRODUCTION

Félicitations pour votre choix de la nouvelle tondeuse à gazon au lithium-ion EGO COMMERCIALE de 56 V. Elle a été conçue, développée et fabriquée pour vous donner le plus possible de fiabilité et de rendement.

Si vous rencontrez un problème auquel vous ne pouvez pas remédier facilement, **veuillez contacter le de service à la clientèle d'EGO au 1-855-EGO-5656.**


Ce mode d'emploi contient des informations importantes sur l'assemblage, l'utilisation et l'entretien de votre tondeuse en toute sécurité. Lisez-le attentivement avant de commencer à utiliser la tondeuse. Conservez ce mode d'emploi à portée de main afin de pouvoir vous y référer à tout moment.

NUMÉRO DE SÉRIE _____ DATE D'ACHAT _____

LES NUMÉROS DE MODÈLE ET DE SÉRIE SE TROUVENT SUR UNE ÉTIQUETTE APPOSÉE SUR LA PORTE DE DÉCHARGE ARRIÈRE.

VOUS DEVEZ ENREGISTRER LE NUMÉRO DE SÉRIE ET LA DATE D'ACHAT, ET LES CONSERVER EN LIEU SÛR POUR TOUTE RÉFÉRENCE ULTÉRIEURE.

SPÉCIFICATIONS

Tension	56 V 
Mode de réglage de la vitesse de la lame	TURBO
	2
	1
Réglage approximatif de la hauteur de coupe	
1	25 mm / 1 po
2	33 mm / 1-3/8 po
3	43 mm / 1-3/4 po
4	54 mm / 2 po
5	66 mm / 2-1/2 po
6	79 mm / 3 po
7	92 mm / 3-1/2 po
8	105 mm / 4 po
Taille du châssis	551 mm / 22 po
Volume du sac à herbe	85 l / 2,5 bu
Indice de protection	IPX4* (Protection contre les éclaboussures d'eau)
Poids de la tondeuse (sans bloc-piles, avec l'élément amovible pour le déchetage)	38 kg / 83.8 lb
Température de fonctionnement recommandée	0° C – 40° C / 32° F – 104° F
Température de stockage recommandée	-20° C – 70° C / -4° F – 158° F

* **REMARQUE** : L'indice IPX4 est basé sur l'utilisation conjointe de la machine et du bloc-piles en tant que système.

Autonomie de fonctionnement approximative

	Avec le bloc-piles BA5600T/BA5600T-FC
Mode 1	70 min
Mode 2	60 min
Mode TURBO	45 min

AVIS : L'autonomie de fonctionnement réelle varie en fonction de l'état de l'herbe : espèce, densité, humidité, etc.

Conseils pour maximiser l'autonomie de fonctionnement

Pour tirer le meilleur parti de votre tondeuse EGO, veuillez respecter les règles suivantes :

- Ne coupez pas plus de 38 mm / 1,5 po d'herbe en un seul passage.
- Déplacez la tondeuse à un rythme modéré.
- Ne coupez pas d'herbe mouillée.
- Assurez-vous que les lames sont bien aiguisées.
- Assurez-vous que le dessous du plateau est propre.

ACCESSOIRES RECOMMANDÉS

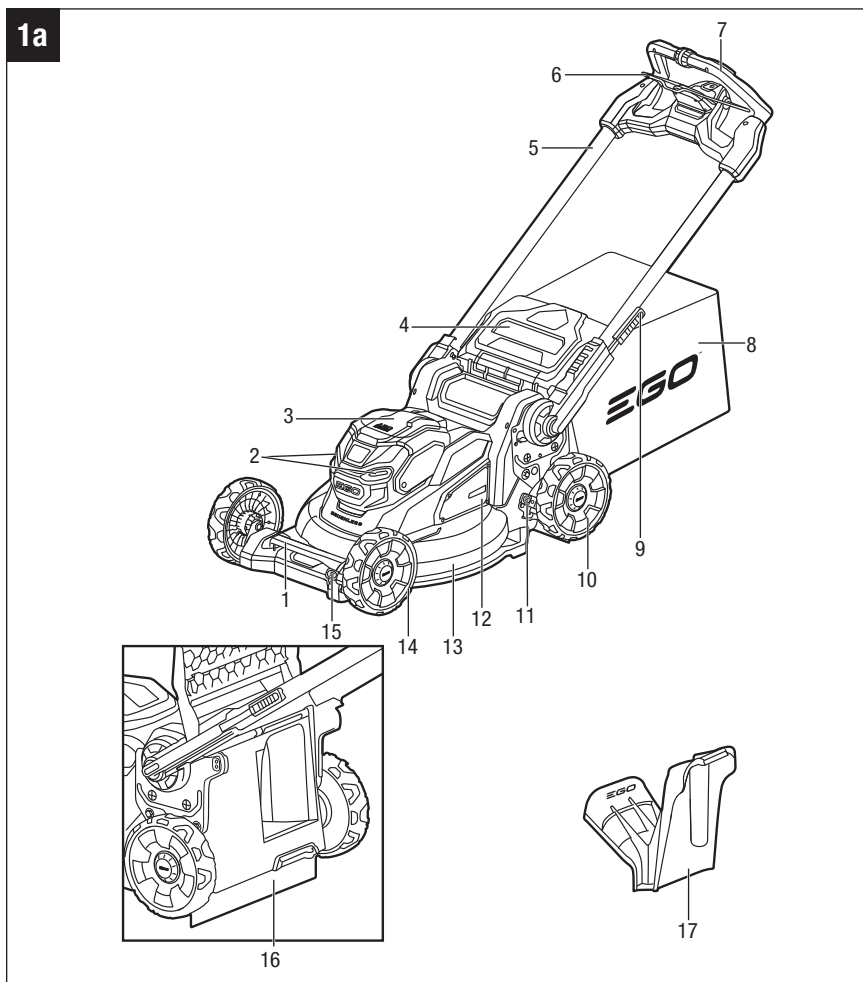
⚠ AVERTISSEMENT: La pièce suivante s'use en conséquence de son utilisation normale. Utilisez seulement des pièces de rechange EGO identiques énumérées ci-dessous. L'utilisation de pièces qui ne répondent pas aux spécifications des équipements d'origine pourrait causer une performance inadéquate et compromettre la sécurité.

NOM DE LA PIÈCE	NUMÉRO DE MODÈLE
Jeu de lames de déchiquetage EGO	AB2200D
Jeu de lames d'ensachage à soulèvement en position haute EGO	AB2201D

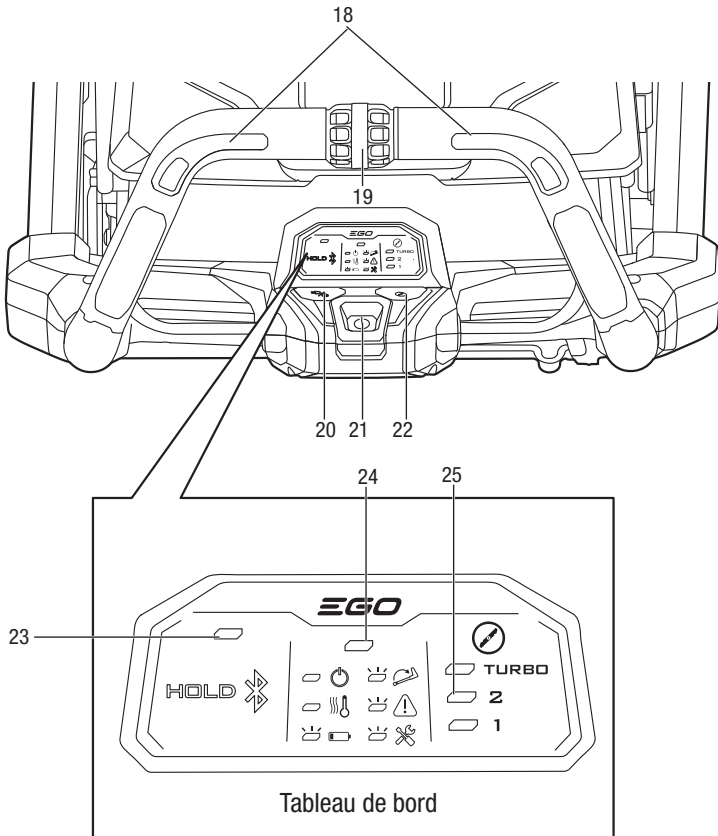
DESCRIPTION

FAMILIARISEZ-VOUS AVEC VOTRE TONDEUSE (Fig. 1a et 1b)

Pour que ce produit puisse être utilisé en toute sécurité, il est nécessaire de comprendre les informations figurant sur la machine et dans son mode d'emploi, et de bien maîtriser le projet que vous voulez réaliser. Avant d'utiliser ce produit, familiarisez-vous avec toutes ses fonctionnalités et les consignes de sécurité qui s'y appliquent.



1b



1. Poignée avant
2. Phares à DEL
3. Couvercle du compartiment des piles
4. Porte de la goulotte de décharge arrière
5. Rail latéral
6. Interrupteur à levier (levier de l'interrupteur)
7. Poignée
8. Sac à herbe
9. Levier de réglage rapide
10. Roue arrière
11. Levier de réglage de la hauteur de coupe à l'arrière
12. Orifice d'admission d'air
13. Châssis
14. Roue avant
15. Levier de réglage de la hauteur de coupe à l'avant
16. Bouclier de protection arrière
17. Élément amovible pour le déchiquetage
18. Gâchette de déclenchement de l'autopropulsion
19. Cadran de la vitesse d'autopropulsion
20. Bouton de commande des phares à DEL (bouton Bluetooth®)
21. Bouton de mise sous tension/hors tension
22. Bouton de mode de réglage de la vitesse de la lame
23. Indicateur Bluetooth®
24. Indicateur d'état de charge de la tondeuse
25. Indicateur de vitesse des lames

BOUTON DE MISE SOUS TENSION/HORS TENSION

- Lorsque vous appuyez brièvement sur cette touche, le voyant d'état de la tondeuse et l'indicateur de vitesse de fonctionnement de la lame par défaut (2) s'allument.
- Le bouton de mise sous tension/hors tension doit être enfoncé avant que le moteur puisse démarrer.

INTERRUPTEUR À LEVIER

L'interrupteur à levier permet d'activer et de désactiver le moteur de la lame.

GÂCHETTE DE DÉCLENCHEMENT DE L'AUTOPROPULSION

Permet d'activer et de désactiver la fonction d'autopropulsion.

CADRAN DE RÉGLAGE DE LA VITESSE D'AUTOPROPULSION

Augmentez ou diminuez la vitesse d'autopropulsion.

BOUTON DE MODE DE RÉGLAGE DE LA VITESSE DES LAMES

Ce bouton permet à l'utilisateur de sélectionner la vitesse des lames en fonction de l'état de la pelouse.

BOUCLIER DE PROTECTION ARRIÈRE

Conçu pour réduire le risque de blessures dues à la projection d'objets et/ou au contact de la lame.

ÉLÉMENT AMOVIBLE POUR LE DÉCHIQUETAGE

Pour le déchiquetage de l'herbe.

LEVIER DE RÉGLAGE RAPIDE

Verrouille/déverrouille la position de la poignée lors du réglage de l'angle de la poignée de la tondeuse :

1. Position de rangement
2. Position d'utilisation supérieure
3. Position d'utilisation intermédiaire
4. Position d'utilisation inférieure

PHARES À DEL

Les phares à DEL sont situés à l'avant de la tondeuse et fournissent un éclairage pour une meilleure visibilité.

LEVIER DE RÉGLAGE DE LA HAUTEUR DE COUPE À L'AVANT/À L'ARRIÈRE

Permet de régler la hauteur de coupe à l'avant et à l'arrière de la tondeuse individuellement.

INDICATEUR BLUETOOTH®

Indique l'état de la connexion Bluetooth®.

REMARQUE : La marque du mot Bluetooth® et les logos correspondants sont des marques déposées appartenant à Bluetooth SIG, Inc., et toute utilisation de ces marques par EGO est effectuée sous licence.

ASSEMBLAGE

⚠ AVERTISSEMENT : Pour empêcher tout démarrage accidentel qui pourrait causer une blessure grave, retirez toujours le bloc-piles de l'outil lorsque vous effectuez le montage de pièces.

⚠ AVERTISSEMENT : Ne tentez pas de modifier cette machine ou de créer des accessoires qu'il n'est pas recommandé d'utiliser avec cette tondeuse. Une telle altération ou modification constituerait une utilisation abusive et pourrait créer une situation dangereuse entraînant un risque de blessures graves.

DÉBALLAGE

- Retirez les accessoires du carton.

⚠ MISE EN GARDE: Objet lourd. Deux personnes sont nécessaires pour soulever la tondeuse.

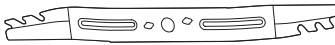
- Une personne doit saisir la poignée avant et l'autre personne doit saisir les parties de la poignée repliée pour soulever avec précaution la tondeuse afin de la sortir du carton.
- Assurez-vous que tous les articles indiqués sur la « **LISTE DES PIÈCES** » sont inclus.
- Inspectez attentivement le produit pour vous assurer qu'aucun dommage ou bris de pièce(s) ne s'est produit pendant le transport.
- Ne jetez pas les matériaux d'emballage avant d'avoir inspecté attentivement la tondeuse et de l'avoir mise en marche de façon satisfaisante.
- Si une pièce quelconque est endommagée ou manquante, rapportez la tondeuse dans le magasin où vous l'avez achetée.

LISTE DES PIÈCES

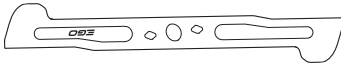
NOM DE LA PIÈCE	QUANTITÉ
Tondeuse à gazon	1
Sac à herbe	1
Cadre du sac à herbe	1
Élément amovible pour le déchiquetage (installé dans la tondeuse à l'usine)	1
Jeu de lames de déchiquetage EGO (installées dans la tondeuse à l'usine)	1
Mode d'emploi	1

SYSTÈME DE COUPE SELECT CUT™

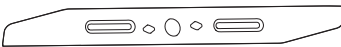
Le système de coupe à plusieurs lames **Select Cut™** vous permet d'utiliser l'une des deux lames inférieures interchangeables : la lame de déchiquetage inférieure et la lame inférieure d'ensilage à grande puissance d'aspiration.



La **lame de déchiquetage inférieure** est conçue pour assurer une performance supérieure en matière de déchiquetage. Cette lame très résistante transforme l'herbe coupée en fins fragments. Votre tondeuse est expédiée avec cette lame déjà installée.



La **lame inférieure d'ensilage à grande puissance d'aspiration** fournit une force d'aspiration accrue qui est idéale pour l'ensilage et garantit qu'il ne restera pas de déchets sur votre pelouse.



La **lame supérieure EGO** est utilisée conjointement avec la lame inférieure choisie pour trancher le gazon en fragments très fins, et elle améliore considérablement la performance de coupe.

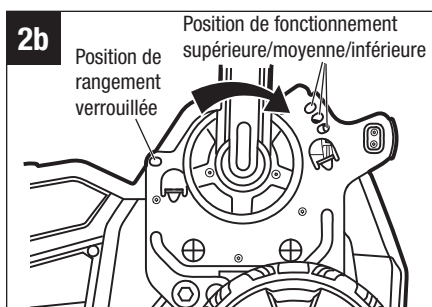
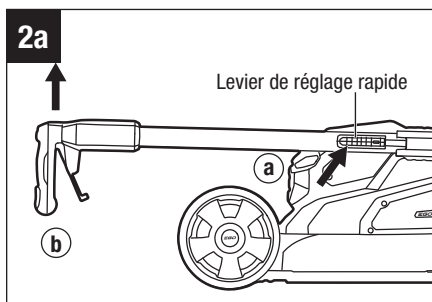
⚠ AVERTISSEMENT : Les lames supérieures et inférieures doivent être installées. La tondeuse ne fonctionnera pas si une seule lame est installée.

RÉGLAGE DE LA POIGNÉE PLIABLE

⚠ AVERTISSEMENT: Ne tentez pas de faire démarrer la tondeuse à gazon ou la fonction d'autopropulsion avant que la poignée n'ait été verrouillée dans l'une des trois positions de fonctionnement pré-réglées. (POSITION OPÉRATIONNELLE SUPÉRIEURE, POSITION OPÉRATIONNELLE INTERMÉDIAIRE et POSITION OPÉRATIONNELLE INFÉRIEURE).

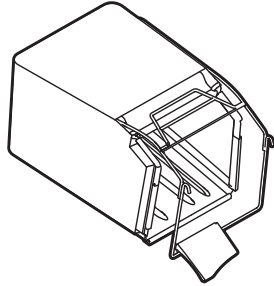
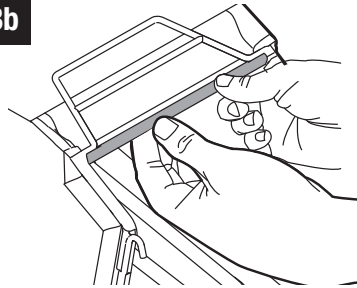
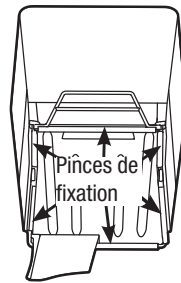
Votre tondeuse est expédiée avec la poignée en POSITION DE RANGEMENT VERROUILLÉE compacte (Fig. 2a).

1. Appuyez sur le levier de réglage rapide et maintenez-le enfoncé pour libérer la poignée de la POSITION DE RANGEMENT VERROUILLÉE (Fig. 2a).
2. Soulevez la poignée de sa position repliée, puis relâchez le levier. Faites pivoter doucement la poignée vers le haut jusqu'à ce que vous entendiez et sentiez la goupille de verrouillage s'engager dans l'une des trois positions différentes comme cela est montré sur l'illustration de la Fig. 2b.



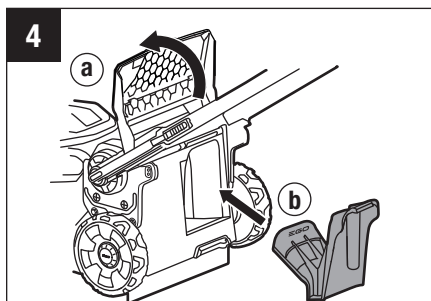
ASSEMBLAGE DU SAC À HERBE

1. Inspectez le sac à herbe avant de l'assembler pour vous assurer qu'il n'est pas endommagé.
2. Faites glisser le sac à herbe sur le cadre, comme illustré à la Fig. 3a.
3. Assemblez la pince du haut sur le cadre, comme illustré à la Fig. 3b, puis assemblez les deux pinces latérales. Assemblez la pince du bas en dernier.
4. Le sac à herbe complètement assemblé est illustré à la Fig. 3c.

3a**3b****3c**

FIXATION/RETRAIT DE L'ÉLÉMENT AMOVIBLE POUR DÉCHIQUETAGE (FIG. 4)

⚠ DANGER: La machine peut projeter de l'herbe coupée et d'autres objets par le biais d'une ouverture dans le carter de la machine. Les objets projetés avec suffisamment de force peuvent provoquer des blessures graves, voire mortelles, pour vous ou les personnes présentes.



N'utilisez jamais la tondeuse si l'élément amovible pour déchiquetage, le sac à herbe ou la goulotte d'éjection latérale n'est pas correctement installé.

1. Arrêtez la tondeuse.
2. Retirez le bloc-piles.
3. Positionnez la tondeuse sur une surface plane.
4. Soulevez la porte de la goulotte de décharge arrière.
5. Saisissez la poignée de l'élément amovible pour le déchiquetage et insérez celui-ci complètement dans la tondeuse de telle sorte qu'il soit bien à sa place.
6. Relâchez la porte de la goulotte de décharge arrière et assurez-vous qu'elle repose fermement contre l'élément amovible pour le déchiquetage.
7. Pour retirer l'élément amovible pour le déchiquetage, soulevez la porte de la goulotte de décharge arrière, saisissez la poignée de l'élément amovible pour le déchiquetage et tirez dessus pour le faire sortir.
8. Ouvrez la porte de la goulotte de décharge arrière.

⚠ AVERTISSEMENT : L'élément amovible pour le déchiquetage doit être retiré lors de l'installation du sac à herbe ou de la goulotte d'éjection latérale. L'élément amovible pour le déchiquetage doit être remis en place lorsque le sac à herbe ou la goulotte de décharge latérale est retiré.

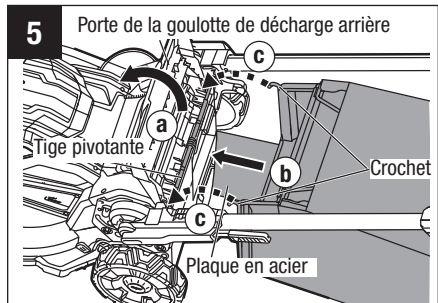
ATTACHEMENT/RETRAIT DU SAC À HERBE (FIG. 5)

⚠ AVERTISSEMENT : Retirez l'élément amovible pour le déchiquetage (installé à l'usine) ou la goulotte de décharge latérale avant d'attacher le sac à herbe à la tondeuse.

1. Arrêtez la tondeuse et attendez l'arrêt complet des lames de coupe.
2. Retirez le bloc-piles.
3. Positionnez la tondeuse sur une surface plane.
4. Soulevez la porte de la goulotte de décharge arrière.
5. **RETIREZ L'ÉLÉMENT AMOVIBLE POUR LE DÉCHIQUETAGE (INSTALLÉ EN USINE)** ou la goulotte de décharge latérale.
6. Insérez d'abord la plaque en acier du sac à herbe dans la tondeuse, puis accrochez le sac à herbe à la tige pivotante. Relâchez la porte de la goulotte de décharge arrière de telle sorte qu'elle repose sur le sac à herbe.
7. Pour retirer le sac à herbe, soulevez la porte de la goulotte de décharge arrière sur la tondeuse. Soulevez le sac à herbe et retirez-le de la tige pivotante.
8. Ouvrez la porte de la goulotte de décharge arrière.

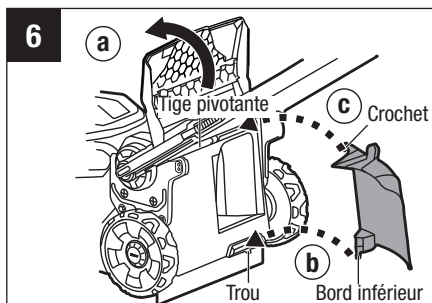
⚠ AVERTISSEMENT : Lorsque vous utilisez le sac à herbe, n'utilisez jamais la tondeuse à moins que les deux crochets du sac à herbe ne soient fermement sécurisés sur la tige pivotante et que la porte de la goulotte de décharge arrière repose fermement contre le dessus du sac à herbe.

⚠ AVERTISSEMENT : Dans des conditions d'utilisation normale, le matériau du sac à herbe est sujet à usure. Pour réduire le risque de blessure, inspectez fréquemment le sac à herbe et remplacez-le si vous observez des signes d'usure ou de détérioration. Utilisez seulement des sacs à herbe fabriqués pour cette tondeuse.



FIXATION/RETRAIT DE LA GOULOTTE DE DÉCHARGE LATÉRALE (NON INCLUS) (FIG. 6)

1. Arrêtez la tondeuse.
2. Retirez le bloc-piles.
3. Positionnez la tondeuse sur une surface plane.
4. Soulevez la porte de la goulotte de décharge arrière.
5. Retirez l'élément amovible pour déchiquetage (installé en usine) ou le sac à herbe.
6. Aligned le bord inférieur de la goulotte de décharge latérale sur le trou du seuil de la porte et insérez-le dans le trou.
7. Accrochez la partie supérieure de la goulotte de décharge latérale à la tige pivotante. Vérifiez qu'elle est bien à sa place.
8. Relâchez la porte de la goulotte de décharge arrière et assurez-vous qu'elle repose fermement contre la goulotte de décharge latérale.
9. Pour retirer la goulotte de décharge latérale, soulevez la porte de la goulotte de décharge arrière, élevez la goulotte de décharge latérale et tirez dessus pour la faire sortir.
10. Ouvrez la porte de la goulotte de décharge arrière.



⚠ AVERTISSEMENT: L'élément amovible pour le déchiquetage doit être retiré avant de fixer la goulotte de décharge latérale.

RÉGLAGE DE LA HAUTEUR DE COUPE (FIG. 7a & 7b)

⚠ AVERTISSEMENT: Gardez vos pieds à distance du châssis lorsque vous êtes en train d'ajuster la hauteur de coupe.

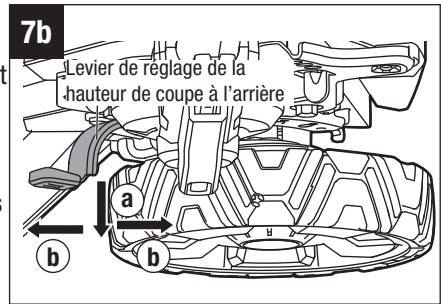
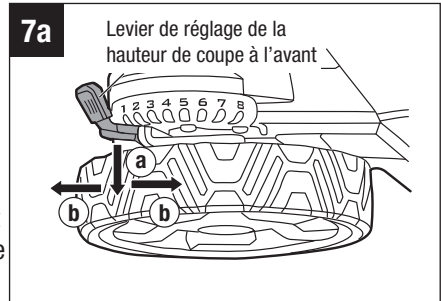
La tondeuse à gazon peut être réglée sur huit hauteurs de coupe possibles, comprises entre 25 mm / 1 po et 105 mm / 4 po. Un repère indique la hauteur de coupe sélectionnée.

Cette tondeuse permet de régler individuellement la hauteur de coupe à l'avant et à l'arrière. Pour la plupart des utilisateurs, il est recommandé de maintenir les hauteurs de coupe avant et arrière à des niveaux identiques. Les utilisateurs plus expérimentés peuvent préférer un meilleur contrôle de la hauteur du châssis pour des coupes spécifiques. Par exemple, en abaissant légèrement l'avant de la tondeuse, l'aspiration sera plus importante, ce qui permettra d'améliorer l'ensachage, la décharge latérale et l'élimination des feuilles.

Choisissez la hauteur de coupe appropriée en fonction du type et de l'état de l'herbe qui doit être coupée.

1. Arrêtez la tondeuse et attendez l'arrêt complet de la lame de coupe.
2. Retirez le bloc-piles.
3. Tirez le levier de réglage de la hauteur de coupe avant ou arrière hors du cran, et mettez-le dans la position souhaitée.

REMARQUE : Pour éviter de surcharger le moteur, évitez de régler la hauteur de coupe trop bas dans l'herbe haute. Si la vitesse du moteur commence à ralentir, élevez davantage la hauteur de coupe.



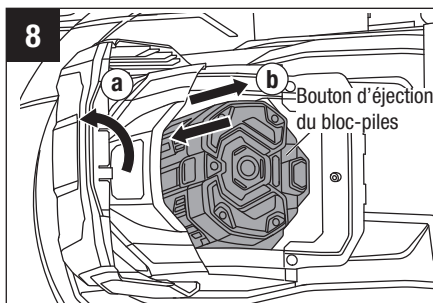
FONCTIONNEMENT

⚠ AVERTISSEMENT: Retirez toujours le bloc-piles de ce produit lorsque vous assemblez des pièces, effectuez des réglages, faites un nettoyage ou n'utilisez pas le produit. Le retrait du bloc-piles empêchera une mise en marche accidentelle qui risquerait de causer des blessures graves.

ATTACHEMENT / DÉTACHEMENT DU BLOC-PILES (FIG. 8)

REMARQUE : Chargez le bloc-piles avant de vous en servir pour la première fois.

1. Levez le couvercle du compartiment des piles en soulevant l'arrière du couvercle.
2. Alignez les rainures dans le bloc-piles sur les nervures du compartiment des piles, puis insérez le bloc-piles dans le compartiment.
3. Enfoncez le bloc-piles jusqu'à ce que vous entendiez un déclic. Le bouton d'éjection des piles rebondira une fois que le bloc-piles aura été attaché de façon sécurisée.



AVIS : Assurez-vous que le loquet de verrouillage du compartiment des piles se met bien en place et que le bloc-piles est bien assujéti à la tondeuse avant de commencer à l'utiliser.

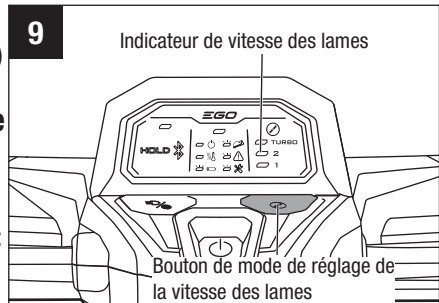
4. Pour retirer le bloc-piles, appuyez sur le bouton d'éjection des piles pour relâcher le bloc-piles, puis tirez dessus pour le faire sortir du compartiment.
5. Rabattez le couvercle du compartiment des piles.

SÉLECTION DU MODE DE RÉGLAGE DE LA VITESSE DES LAMES (FIG. 9)

Sélection Du Mode De Réglage De La Vitesse Des Lames

La tondeuse à gazon dispose de trois modes de réglage de la vitesse des lames :

- **Le mode TURBO** est un mode de réglage des lames à une vitesse rapide pour produire des performances d'aspiration élevées afin d'améliorer la force d'aspiration ou les performances de coupe.
- **Le mode 2** est le meilleur équilibre entre les performances et l'autonomie de fonctionnement.
- **Le mode 1** permet d'obtenir le niveau sonore le plus bas et la plus longue autonomie de fonctionnement de votre bloc-piles.



REMARQUE: Une vitesse de rotation plus élevée de la lame affectera considérablement l'autonomie de fonctionnement.

Sélectionnez le mode **TURBO, 2 ou 1** en appuyant successivement sur le bouton de mode de réglage de la vitesse des lames.

REMARQUE: Le mode de réglage de la vitesse des lames par défaut est **2**.

TECHNOLOGIE SANS FIL BLUETOOTH®

Les produits intégrant la technologie sans fil Bluetooth® peuvent se connecter à des appareils mobiles.

Pour installer l'application EGO Connect™

1. Téléchargez l'application EGO Connect™ sur votre appareil mobile.
2. Créez un nouveau compte dans l'application EGO Connect™. Veuillez passer à l'étape 4 si vous avez déjà un compte.
3. Un courriel sera envoyé à l'adresse électronique enregistrée. Suivez les instructions contenues dans le courriel pour valider votre compte.
4. Connectez-vous ou créez un compte dans l'application EGO Connect™.

Pour coupler l'application EGO Connect™ et le produit

Appuyez sur le bouton Bluetooth® et maintenez-le enfoncé pendant 5 secondes, puis attendez que le produit se connecte. Le voyant Bluetooth® clignote en bleu pendant le couplage.

Le voyant Bluetooth® s'allume en bleu fixe lorsque le produit est connecté à votre appareil mobile.

Suivez les instructions de l'application EGO Connect™.

MISE EN MARCHÉ / ARRÊT DE LA TONDEUSE À GAZON

⚠ AVERTISSEMENT : Pendant leur fonctionnement, les tondeuses à gazon peuvent projeter des corps étrangers dans les yeux de leur utilisateur ou d'autres personnes et leur infliger de graves blessures aux yeux. Portez toujours des lunettes de sécurité lorsque vous utilisez la tondeuse ou pendant que vous réalisez de quelconques réglages ou réparations sur la tondeuse.

⚠ AVERTISSEMENT : Assurez-vous que les autres personnes et les animaux de compagnie restent à au moins 30 mètres / 100 pi de la tondeuse pendant qu'elle est en train de fonctionner.

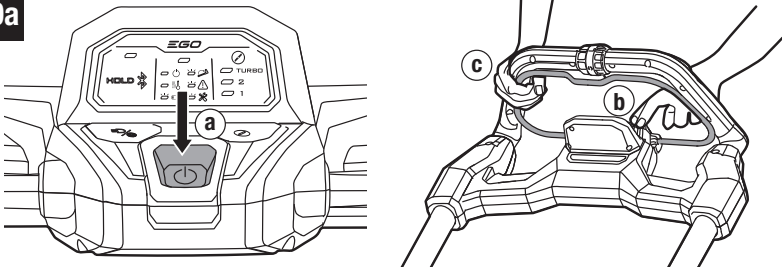
AVIS : La lame continue à tourner pendant quelques secondes après l'arrêt du moteur de la tondeuse. Attendez que le moteur/la lame cesse de tourner avant de le remettre en marche. Ne mettez pas la tondeuse en marche et à l'arrêt en succession rapide.

⚠ MISE EN GARDE: Ne tentez pas de changer les paramètres de fonctionnement du bouton de mise sous tension/hors tension et de l'interrupteur à levier.

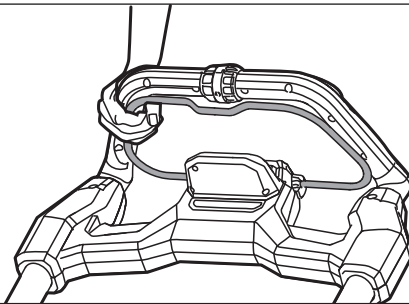
Mise en marche de la tondeuse (Fig. 10a & 10b)

1. Attachez le bloc-piles de la tondeuse et fermez le couvercle du compartiment des piles.
2. Appuyez sur le bouton de mise sous tension/hors tension pour allumer le tableau de bord et l'indicateur d'état de fonctionnement de la tondeuse -- l'indicateur de vitesse des lames pour le mode 2 s'allumera alors.
3. Appuyez sur le bouton du mode de réglage de la vitesse des lames pour sélectionner la vitesse souhaitée ; reportez-vous à la section intitulée « **Sélection du mode de réglage de la vitesse des lames** » de ce mode d'emploi.
4. Appuyez sur le bouton de mise sous tension/hors tension, et maintenez-le enfoncé.
5. Tout en maintenant le bouton de mise sous tension/hors tension enfoncé, tirez sur l'interrupteur à levier (vers le haut) pour entrer en contact avec la poignée. La tondeuse se mettra alors en marche.
6. Relâchez le bouton de mise sous tension/hors tension.

10a

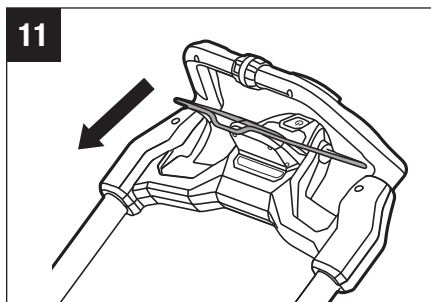


10b



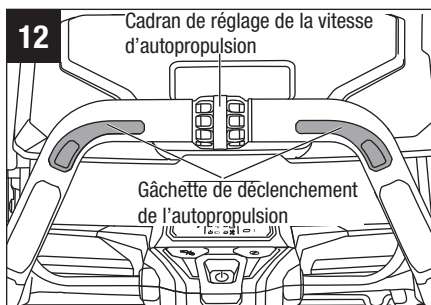
Pour arrêter la tondeuse à gazon (Fig. 11)

1. Relâchez complètement l'interrupteur à levier.
2. Le frein électrique du Mécanisme de freinage automatique arrêtera la rotation des lames dans les trois secondes suivant le relâchement de la gâchette de réglage de la rotation des lames.



SYSTÈME D'AUTOPROPULSEUR À VITESSE VARIABLE (FIG. 12)

La tondeuse est équipée d'une fonctionnalité d'autopropulsion à vitesse variable. Pour augmenter la vitesse, tournez le cadran de réglage de la vitesse d'autopropulsion vers l'avant. Pour diminuer la vitesse, tournez le cadran de réglage de la vitesse d'autopropulsion vers l'arrière.



AVIS : La fonction d'autopropulsion est désactivée (OFF) lorsque le cadran de réglage de la vitesse d'autopropulsion est tourné vers l'arrière jusqu'à la position la plus basse.

LORSQUE LA TONDEUSE EST EXPÉDIÉE, LE CADRAN DE RÉGLAGE DE LA VITESSE EST FIXÉ EN USINE SUR LA POSITION LA PLUS BASSE. Avant de démarrer la fonction d'autopropulsion pour la première fois, tournez légèrement le cadran de réglage de la vitesse d'autopropulsion vers l'avant.

Ce système d'autopropulsion est indépendant de la rotation des lames. Par exemple, lorsque vous avez fini de tondre votre pelouse, vous pouvez utiliser le système d'autopropulsion pour reconduire la tondeuse jusqu'à votre emplacement de stockage sans rotation de la lame. Vous pouvez également choisir d'utiliser la tondeuse comme une tondeuse non autopropulsée pour maximiser l'autonomie de fonctionnement des piles.

Utilisation du système d'autopropulsion sans rotation des lames :

Tournez légèrement le cadran de réglage de la vitesse d'autopropulsion vers l'avant jusqu'à ce qu'un déclic se fasse entendre, puis appuyez sur la ou les gâchettes de

l'autopropulsion. Il y a deux déclencheurs d'autopropulsion ; appuyez sur l'un des deux pour démarrer la fonction d'autopropulsion.

Pour arrêter l'autopropulsion, relâchez la gâchette d'autopropulsion.

Utilisation du système d'autopropulsion avec la rotation des lames

1. Appuyez brièvement sur le bouton de mise sous tension/hors tension pour allumer le tableau de bord.
2. Appuyez sur le bouton du mode de réglage de la vitesse des lames pour sélectionner la vitesse souhaitée.
3. Appuyez sur le bouton de mise sous tension/hors tension.
4. Une fois le bouton de mises sous tension/hors tension enfoncé, tirez l'interrupteur à levier contre la poignée pour mettre la tondeuse en marche, puis relâchez le bouton de mise sous tension/hors tension.
5. Tenez l'interrupteur à levier contre la poignée avec l'une ou l'autre de vos mains. Appuyez sur l'une des deux une ou l'autre des gâchettes du système d'autopropulsion pour activer la fonction d'autopropulsion.
6. En tenant d'une main l'interrupteur à levier et la gâchette d'autopropulsion contre la poignée, utilisez l'autre main pour régler le cadran de commande de la vitesse d'autopropulsion afin de choisir la vitesse désirée.

AVIS : Lorsque vous arrêtez la fonction d'autopropulsion, par exemple à la fin d'une rangée, elle peut se bloquer temporairement si vous tirez la tondeuse en arrière. Il suffit alors de pousser légèrement vers l'avant, puis de déplacer la tondeuse selon les besoins.

AVIS : Il peut parfois être plus facile de tondre autour d'un objet lorsque la fonction d'autopropulsion est désactivée.

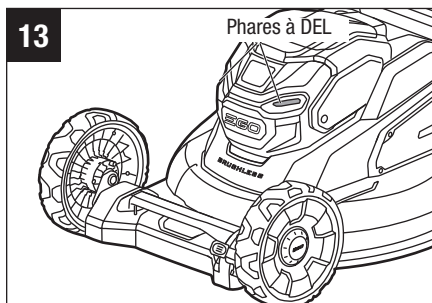
⚠ AVERTISSEMENT: Pour réduire le risque de blessure, n'essayez jamais de neutraliser le fonctionnement de l'interrupteur à levier ou du système d'autopropulsion. N'utilisez le système d'autopropulsion que pour l'usage auquel il est destiné.

PHARES À DEL (FIG. 13)

Les phares à DEL sont situés à l'avant du compartiment des piles (Fig. 13).

Pour allumer les phares, appuyez à nouveau sur le bouton de commande des phares à DEL. Les phares fournissent une lumière vive à l'avant de la tondeuse.



Pour éteindre les phares, appuyez à nouveau sur le bouton.



INDICATEURS D'ÉTAT DE FONCTIONNEMENT DE LA TONDEUSE (Fig. 1b)

Le voyant d'état de fonctionnement de la tondeuse sur le tableau de bord indique l'état de fonctionnement de la tondeuse.

Indicateur	Description	Signification	Action
	Allumé continuellement en vert	La tondeuse à gazon fonctionne correctement.	Aucune action n'est requise.
	Clignotant en vert	La poignée n'est pas verrouillée dans l'une des positions de fonctionnement.	Arrêtez la tondeuse et assurez-vous que la poignée est verrouillée dans l'une des trois positions de fonctionnement.
	Clignotant en rouge	Piles presque déchargées.	Arrêtez la tondeuse et chargez le bloc-piles.
	Allumé continuellement en orange	La tondeuse est en état de surchauffe.	Relâchez l'interrupteur à levier, et attendez que la température de la tondeuse descende en dessous de 80 °C / 176 °F. Voir « PROTECTION DE LA TONDEUSE CONTRE LES HAUTES TEMPÉRATURES » ci-dessous.

Indicateur	Description	Signification	Action
	Clignotant en orange	La tondeuse est en état de surcharge.	<ol style="list-style-type: none"> Commencez par retirer le bloc-piles, puis vérifiez si de l'herbe s'est accumulée sous le châssis. Nettoyez si nécessaire. Ralentissez votre rythme lorsque vous coupez. Élevez la hauteur de coupe. Si aucune de ces solutions ne remédie au problème, veuillez contacter le service à la clientèle d'EGO. <p>Voir « PROTECTION CONTRE LA SURCHARGE DE LA TONDEUSE » ci-dessous.</p>
	Clignotant en rouge/vert en alternance	Dysfonctionnement de l'électronique de la tondeuse.	Contactez le service à la clientèle d'EGO.

PROTECTION DE LA TONDEUSE CONTRE LES HAUTES TEMPÉRATURES

Si la température de la tondeuse dépasse 90° C / 194° F pendant le fonctionnement, le circuit de protection contre les températures élevées éteint immédiatement la tondeuse pour la protéger contre les dommages causés par la chaleur.

Le voyant d'état de fonctionnement de la tondeuse s'allume et brille en orange fixe. Relâchez la gâchette de rotation des lames et attendez que la tondeuse surchauffée refroidisse et que l'indicateur d'état de fonctionnement devienne vert, puis redémarrez la tondeuse.

PROTECTION DE LA TONDEUSE CONTRE LES SURCHARGES

Pour éviter toute surcharge, n'essayez pas de retirer trop d'herbe en une seule fois. Ralentissez votre vitesse de coupe ou élevez davantage la hauteur de coupe.

Votre tondeuse est équipée d'un circuit de protection contre les surcharges. Lorsque la tondeuse est en état de surcharge, le moteur s'arrête et le témoin de charge du tableau de bord clignote en orange.

CONSEILS POUR LA TONTE

AVIS: Une lame bien affûtée améliore considérablement la performance de la tondeuse, en particulier lorsque vous coupez des herbes hautes. Vérifiez systématiquement que la lame est bien affûtée avant de commencer à tondre.

- Vérifiez qu'il n'y a pas de grosses pierres, de bâtons, de fils de fer ou d'autres objets sur la pelouse qui risqueraient d'endommager la tondeuse à gazon ou son moteur. De tels objets risqueraient d'être projetés accidentellement par la tondeuse dans une direction imprévisible et causer des blessures graves à l'opérateur ou à d'autres personnes.

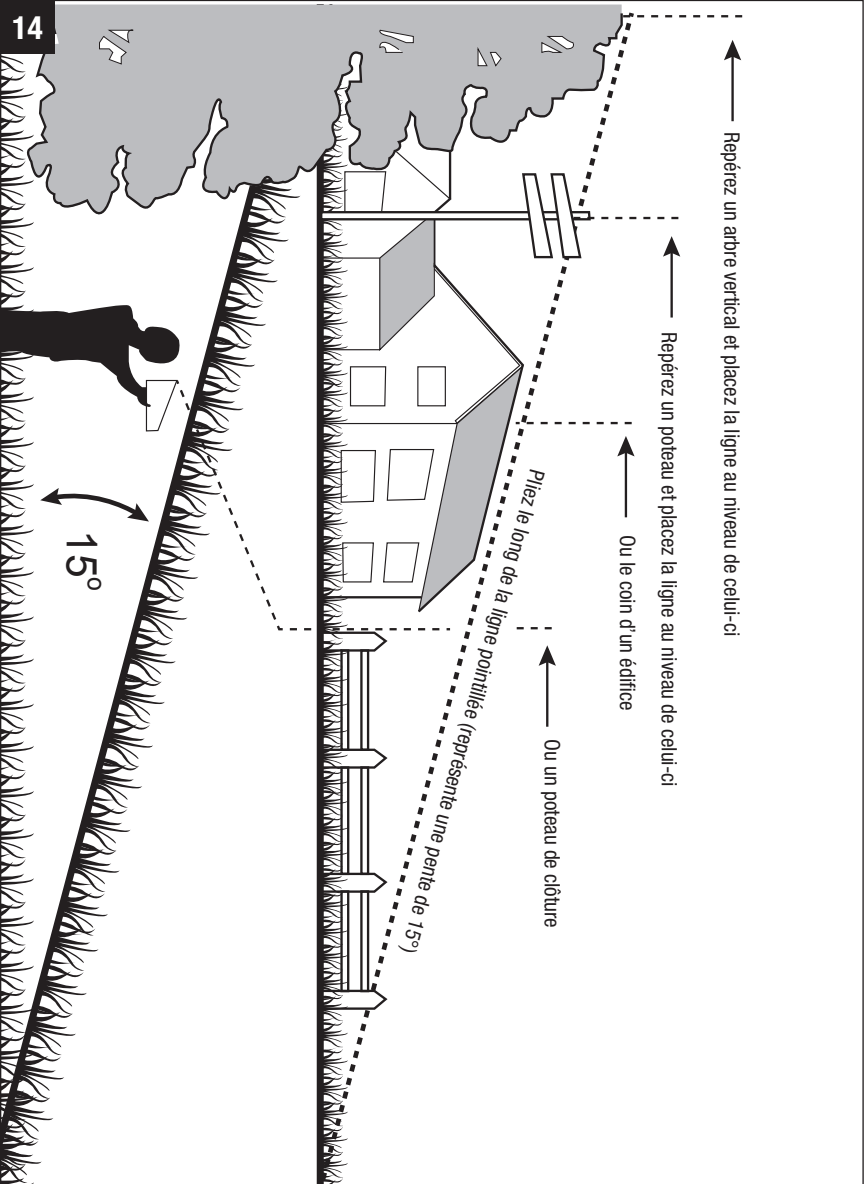
⚠ AVERTISSEMENT : Si vous heurtez un corps étranger, arrêtez le moteur et retirez les piles. Inspectez attentivement la tondeuse pour voir si elle a subi un dommage, et réparez-la avant de la remettre en marche et de l'utiliser. Des vibrations excessives de la tondeuse pendant son fonctionnement sont une indication de dommages. La tondeuse doit alors être inspectée et réparée dans les meilleurs délais.

- Pour obtenir les meilleurs résultats possibles, ne tondez pas en cercles. Faites plutôt des allers et retours à travers la pelouse.
- Lorsque vous coupez de l'herbe épaisse, réduisez la vitesse de conduite pour assurer une coupe plus efficace et une décharge appropriée de l'herbe coupée.
- Pour maintenir une pelouse en bon état, coupez seulement un tiers ou moins de la hauteur totale de l'herbe. En règle générale, le gazon doit avoir une hauteur d'environ 38 mm à 53 mm / 1-1/2 po à 2 po pendant les mois frais, et entre 53 et 83 mm / 2 po et 3-1/4 po pendant les mois très chauds.

JAUGE D'INCLINAISON DE LA PENTE (Fig. 14)

⚠ AVERTISSEMENT: Ne tondez pas le gazon sur une pente ayant une inclinaison de plus de 15° (montant d'environ 0,75 m / 2 1/2 pi tous les 3 m / 10 pi. Tondez horizontalement / latéralement sur des pentes ; ne tondez jamais vers le haut et vers le bas.

Utilisez la Fig. 14 comme guide pour identifier les pentes qui ne peuvent pas être tondues en toute sécurité.



CONSEILS RELATIFS AU DÉCHIQUETAGE

⚠ AVERTISSEMENT: Inspectez la zone où vous comptez utiliser la tondeuse, et retirez les pierres, les bâtons, les fils de fer et autres débris qui pourraient être projetés par la lame en rotation.

- Relâchez la gâchette de réglage de la rotation des lames pour arrêter les lames de la tondeuse lorsque vous traversez une surface couverte de gravier – des pierres pourraient être projetées par des lames en rotation.
- Réglez la tondeuse sur la hauteur de coupe la plus haute lorsque vous avancez sur un terrain irrégulier ou avec des herbes hautes.
- Pour effectuer un déchiquetage efficace, ne coupez pas d'herbe mouillée ; l'herbe mouillée a tendance à adhérer au dessous du châssis, ce qui nuit au déchiquetage approprié des morceaux d'herbe coupés . Le meilleur moment pour tondre du gazon est vers la fin de l'après-midi, lorsque l'herbe est sèche et lorsque la zone à tondre ne sera pas exposée à la lumière directe du soleil.
- Pour obtenir la meilleure performance de déchiquetage possible, réglez la hauteur de coupe de façon à pouvoir retirer environ un tiers de la longueur des brins d'herbe, dans l'idéal pas plus de 38 mm / 1-1/2 po à la fois. Si l'herbe de la pelouse est trop haute, il peut être nécessaire d'augmenter la hauteur de coupe pour permettre de tondre plus facilement et pour ne pas risquer de surcharger le moteur. Ralentissez la vitesse lorsque l'herbe est très haute ou très épaisse. Pour déchiqueter de l'herbe extrêmement épaisse ou haute, il est conseillé de commencer à tondre à une hauteur de coupe élevée, puis de tondre à nouveau la même zone à la hauteur de coupe normale. Sinon, réalisez des coupes plus étroites et tondez lentement. ASSUREZ-VOUS TOUJOURS QUE LES LAMES SONT BIEN AFFÛTÉES.

MAINTENANCE

⚠ AVERTISSEMENT: Pour éviter des blessures graves, retirez toujours le bloc-piles de la tondeuse lorsque vous la nettoyez ou quand vous effectuez des travaux de maintenance.

⚠ AVERTISSEMENT: Lors de toute réparation, n'utilisez que des pièces de rechange identiques. L'utilisation de toutes autres pièces de rechange pourrait créer un danger ou endommager le produit. Pour assurer la sécurité et la fiabilité, toutes les réparations doivent être effectuées par un technicien de service qualifié.

NETTOYAGE DE LA TONDEUSE

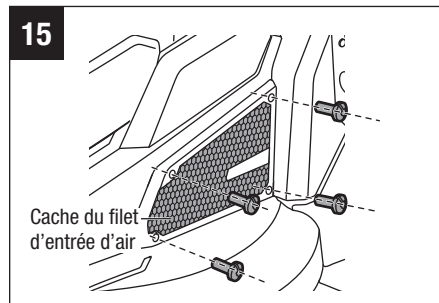
⚠ AVERTISSEMENT: Retirez toujours le bloc-piles de la tondeuse lorsque vous la nettoyez ou quand vous effectuez des travaux de maintenance.

Le dessous du carter de la tondeuse doit être nettoyé après chaque utilisation, car l'herbe coupée, les feuilles, les saletés et autres débris s'accumulent. Cette accumulation n'est pas souhaitable ; elle favorise la rouille et la corrosion.

Enlevez toute accumulation d'herbe et de feuilles sur l'arbre d'entraînement ou autour de l'arbre d'entraînement, ainsi qu'autour du ventilateur du moteur (n'utilisez pas d'eau). Frottez la tondeuse avec un tissu humide pour la nettoyer.

Nettoyage de l'orifice d'entrée d'air

1. Utilisez un tournevis Torx T25 ou un tournevis à tête plate (non fourni) pour retirer le cache du filet d'entrée d'air en enlevant les quatre vis comme illustré à la Fig. 15.
2. Nettoyez l'intérieur de l'orifice d'entrée d'air et du cache du filet avec de l'air comprimé.



⚠ AVERTISSEMENT: Portez toujours des lunettes de sécurité lorsque vous nettoyez un orifice d'entrée d'air avec de l'air comprimé.

⚠ AVERTISSEMENT: Les orifices d'entrée d'air doivent être gardés propres et ne doivent être obstrués par aucun corps étranger.

REPLACEMENT DES LAMES

⚠ AVERTISSEMENT: Protégez-vous toujours les mains en portant des gants épais ou en enveloppant les bords coupants avec des chiffons ou d'autres matériaux lorsque vous effectuez des opérations de maintenance sur la lame de la tondeuse à gazon. Retirez toujours le bloc-piles lorsque vous effectuez une opération d'entretien ou lorsque vous transportez la tondeuse à gazon.

AVIS : Les outils suivants (non inclus) sont nécessaires pour remplacer les lames :

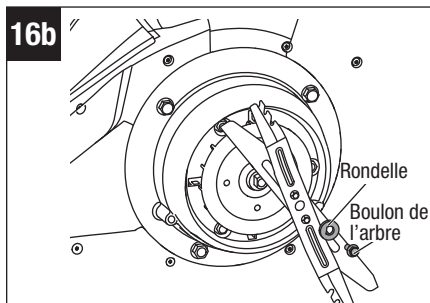
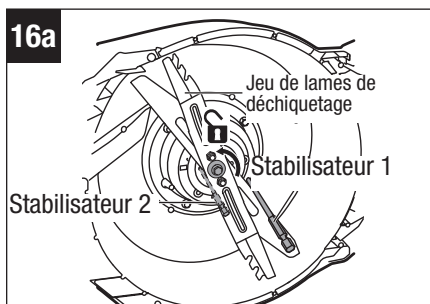
- Clé de 14 mm / 9/16 po réglable (une clé à chocs avec une douille de 14 mm / 9/16 po est recommandée)
- Clé dynamométrique avec douille de 14 mm / 9/16 po
- Tournevis manuel ou tige en métal d'un diamètre de 8 mm / 5/16 po ou moins
- Tournevis manuel ou tige en métal d'un diamètre de 6,35 mm / 1/4 po ou moins

Remplacement du jeu de lames

Retrait du jeu de lames

La Fig. 16a montre le jeu de lames de déchiquetage.

1. Arrêtez le moteur, et retirez le bloc-piles et le sac à herbe de la tondeuse à gazon.
2. Mettez la tondeuse sur son côté.
3. Insérez une tige en métal (stabilisateur 1) de 8 mm / 5/16 po de diamètre ou moins dans le trou du stabilisateur pour empêcher le jeu de lames de tourner lorsque l'on desserre le boulon de l'arbre.
4. Utilisez la clé de 14 mm / 9/16 po pour tourner le boulon de l'arbre **DANS LE SENS INVERSE DES AIGUILLES D'UNE MONTRE** afin de desserrer et de retirer le boulon de l'arbre (Fig. 16a).



AVIS : Si le boulon de l'arbre tourne avec l'arbre du moteur pendant que vous êtes en train de le desserrer, placez une autre tige en métal de diamètre inférieur à 6,35 mm / 1/4 po à l'intérieur du trou dans le ventilateur pour servir de stabilisateur 2.

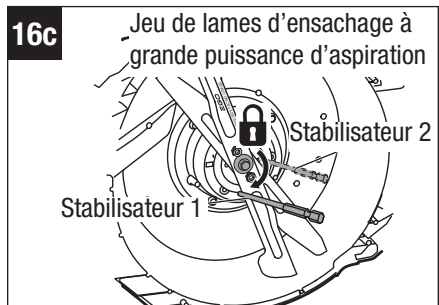
5. Retirez la rondelle et le jeu de lames (Fig. 16b).
6. Laissez le ventilateur sur l'arbre du moteur.

Pour remplacer le jeu de lames (non inclus)

La Fig. 16c montre le jeu de lames d'ensachage à grande puissance d'aspiration.

AVIS : Pour réinstaller ou remplacer le jeu de lames, assurez-vous que toutes les pièces sont remises en place dans l'ordre exact dans lequel elles avaient été retirées.

7. Positionnez le jeu de lames sur la bride intérieure du ventilateur, la surface inférieure de la lame marquée « **THIS SIDE FACING GRASS** » (Ce côté face à l'herbe) étant orientée vers l'extérieur.
8. Alignez la rondelle sur l'arbre du moteur et assemblez-la en place.
9. Montez le boulon de l'arbre dans l'arbre et serrez le boulon à la main **DANS LE SENS DES AIGUILLES D'UNE MONTRE**.



10. Insérez la tige en métal (stabilisateur 1) à l'appui comme indiqué à la Fig. 16c.
11. Utilisez la clé dynamométrique de 14 mm / 9/16 po pour serrer le boulon de l'arbre **DANS LE SENS DES AIGUILLES D'UNE MONTRE**. Le couple recommandé pour le boulon de fixation du jeu de lames est de 50-60 Nm / 36-43 pi-lb.

AVIS : Si le boulon de l'arbre tourne avec l'arbre du moteur lors du serrage du boulon, placez une autre petite tige en métal pour servir de stabilisateur 2.

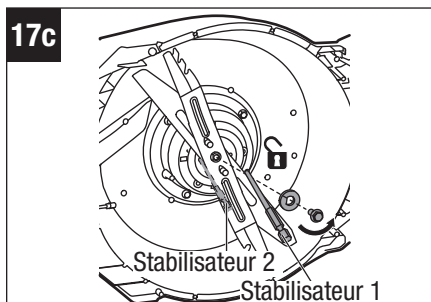
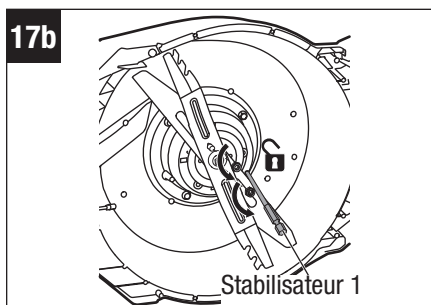
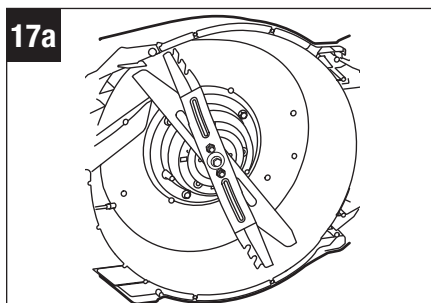
Remplacement des lames séparément

Retrait des lames

1. Arrêtez le moteur ; retirez le bloc-piles de la tondeuse à gazon.
2. Mettez la tondeuse sur son côté (Fig. 17a).
3. Portez des gants de protection. Insérez la tige en métal d'un diamètre de 8 mm / 5/16 po dans l'orifice du stabilisateur (stabilisateur 1) pour bloquer les lames. Utilisez la clé de 14 mm / 9/16 po pour desserrer et retirer les deux écrous (Fig. 17b). **CONSERVEZ LES DEUX ÉCROUS EN VUE DU RÉASSEMBLAGE DES LAMES ULTÉRIEUREMENT.**
4. Utilisez la clé pour desserrer et retirer le boulon et la rondelle de l'arbre (Fig. 17c).

AVIS : Si le boulon de l'arbre tourne avec l'arbre du moteur pendant que vous êtes en train de le desserrer, placez une autre tige en métal de diamètre inférieur à 6,35 mm / 1/4 po à l'intérieur du petit trou dans le ventilateur pour servir de stabilisateur 2.

5. Retirez la lame de déchetage inférieure et lame supérieure de l'arbre du moteur (Fig. 17d). Retirez les deux boulons de la lame supérieure. **CONSERVEZ LES DEUX BOULONS EN VUE DU RÉASSEMBLAGE DES LAMES ULTÉRIEUREMENT.**
6. Laissez le ventilateur sur l'arbre du moteur. Assurez-vous que la pale du ventilateur est orientée vers le châssis (Fig. 17e).



Installation des lames

AVIS : Pour réinstaller ou remplacer la lame ou les lames, veillez à assembler les pièces dans l'ordre exact dans lequel elles ont été retirées, en vous assurant notamment que les mentions « **THIS SIDE FACING GRASS** » (Ce côté face à l'herbe) sur la lame supérieure et sur la lame inférieure sont tournées vers l'extérieur.

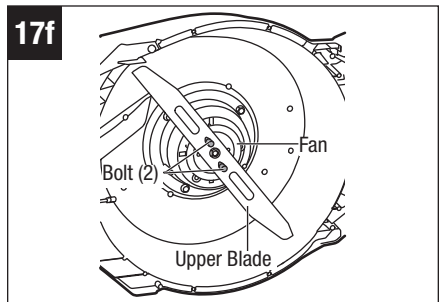
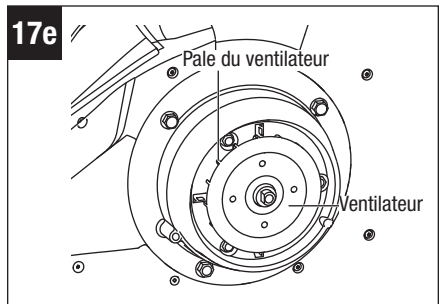
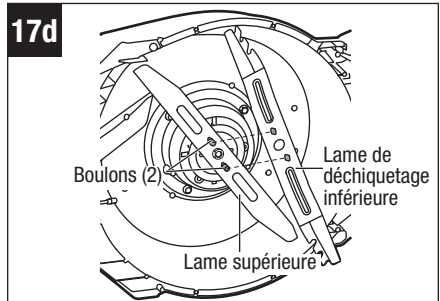
7. Portez des gants de protection.
8. Insérez les deux boulons dans la lame supérieure depuis le côté arrière indiquant « **THIS SIDE FACING GRASS** » (Ce côté face à l'herbe), puis positionnez la lame supérieure sur l'arbre du moteur (Fig. 17f).

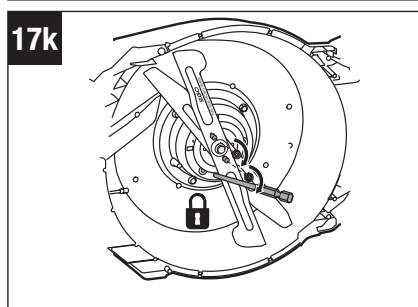
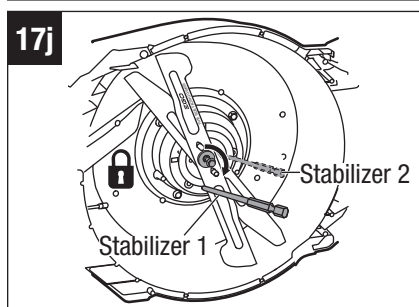
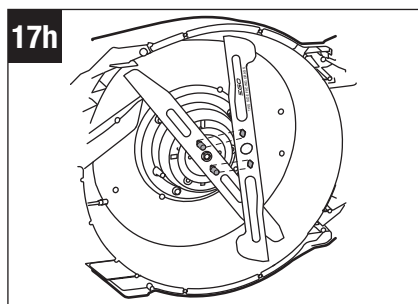
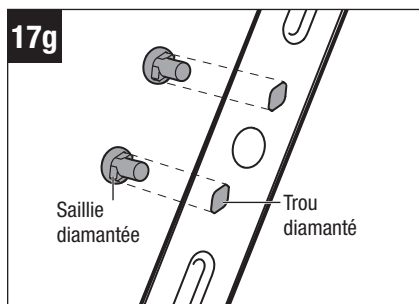
AVIS : La protrusion diamantée sur les boulons doit être alignée sur le trou diamanté de la lame supérieure (Fig. 17g).

9. En fonction de ce que vous souhaitez, montez la lame inférieure choisie sur l'arbre du moteur (voir le chapitre intitulé « **SYSTÈME DE COUPE SELECT CUT™** » dans ce mode d'emploi). La Fig. 17h est une illustration de la lame inférieure d'ensilage à grande puissance d'aspiration (not included).

AVIS : Le trou diamanté de la lame inférieure doit s'emboîter dans la saillie diamantée des boulons.

10. Insérez la tige en métal pour bloquer les lames, installez la rondelle et le boulon de l'arbre sur l'arbre du moteur, et serrez à la main le boulon de l'arbre **DANS LE SENS DES AIGUILLES D'UNE MONTRE**. Serrez le boulon de l'arbre à 50-60 Nm / 36-43 pi-lb (Fig. 17j).





AVIS: Si le boulon de l'arbre tourne avec l'arbre du moteur pendant le serrage, placez une autre tige en métal dans le petit trou du ventilateur pour servir de stabilisateur 2.

11. Installez les deux écrous sur les boulons et serrez-les à la main **DANS LE SENS DES AIGUILLES D'UNE MONTRE**. Serrez les deux écrous à 30 Nm / 22 pi-lb (Fig. 17k).

AFFÛTAGE DES LAMES

⚠ AVERTISSEMENT : Protégez-vous toujours les mains en portant des gants épais ou en enveloppant les bords coupants avec des chiffons ou d'autres matériaux lorsque vous effectuez des opérations de maintenance sur la lame de la tondeuse à gazon. Retirez toujours le bloc-piles lorsque vous effectuez une opération d'entretien ou lorsque vous transportez la tondeuse à gazon.

⚠ AVERTISSEMENT : Utilisez une protection oculaire appropriée lorsque vous retirez, affûtez et installez les lames.

⚠ AVERTISSEMENT : Une lame usée, fissurée ou endommagée peut se casser, et des morceaux de la lame endommagée peuvent devenir des projectiles dangereux. La projection d'objets peut causer des blessures graves. Inspectez régulièrement la lame et ne vous servez pas de la tondeuse si la lame est usée ou endommagée.

AVIS: Gardez la lame affûtée pour obtenir les meilleures performances de la tondeuse. Une lame émoussée ne permet pas de couper l'herbe proprement ni de déchiqeter correctement.

Une lame émoussée peut être affûtée, mais une lame excessivement usée, pliée, fissurée ou autrement endommagée doit être remplacée. Une lame usée ou endommagée peut se briser, et des morceaux de lame peuvent être projetés hors de la tondeuse.

Si la lame est déformée, faites inspecter la tondeuse par un centre de service agréé EGO.

Fréquence d'affûtage

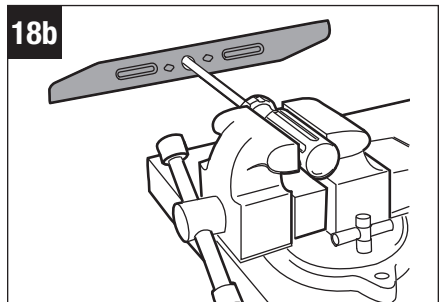
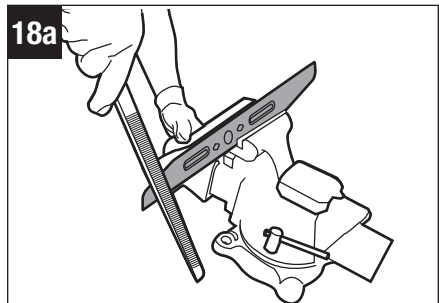
Il suffit généralement d'affûter la lame à deux reprises pendant une saison de tonte dans des circonstances normales. Le sable émousse rapidement une lame ; si votre pelouse pousse sur un sol avec beaucoup de sable, un affûtage plus fréquent peut être nécessaire.

Lors de l'affûtage de la lame :

- Assurez-vous que la lame est bien équilibrée.
- Affûtez la lame de coupe à l'angle de coupe d'origine.
- Affûtez les bords de coupe aux deux extrémités de la lame en retirant une quantité de matériau égale à chaque extrémité.

Pour affûter une lame dans un étau :

1. Retirez la lame de la tondeuse.
2. Sécurisez la lame dans un étau (Fig. 18a).
3. Portez une protection des yeux appropriée ainsi que des gants, et faites attention de ne pas vous couper.



4. Affûtez les bords de coupe de la lame avec précaution en utilisant une lime à dents fines ou une pierre à aiguiser, et veillez à conserver l'angle du bord de coupe d'origine.
5. Pour vérifier l'équilibre de la lame : fixez un clou ou un tournevis à tige ronde en position horizontale. Positionnez la lame de manière à ce que le clou ou la tige ronde du tournevis soutienne la lame par son trou central. Équilibrez la lame horizontalement. Si l'une des extrémités de la lame tourne vers le bas, retirez un peu de métal de l'extrémité la plus lourde ou inférieure jusqu'à ce que la lame soit équilibrée. Elle est équilibrée lorsqu'aucune des deux extrémités ne donne l'impression de s'affaisser (Fig. 18b).
6. Remettez la lame sur la tondeuse et serrez-la bien.

⚠ AVERTISSEMENT: Une lame mal équilibrée causera des vibrations excessives quand elle tournera à une vitesse élevée. Elle pourrait endommager la tondeuse et se casser, causant éventuellement des blessures.

LUBRIFICATION DE LA TONDEUSE

Tous les roulements de ce produit sont lubrifiés avec une quantité suffisante de lubrifiant de haute qualité pour la durée de vie de la machine si elle est utilisée dans des conditions de fonctionnement normales. Par conséquent, aucune lubrification supplémentaire des roulements n'est nécessaire.

RANGEMENT DE LA TONDEUSE

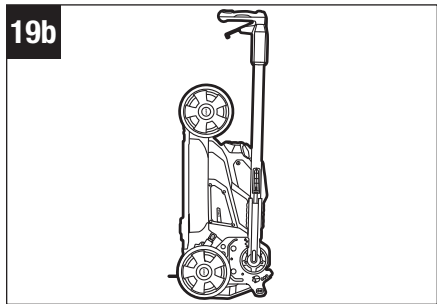
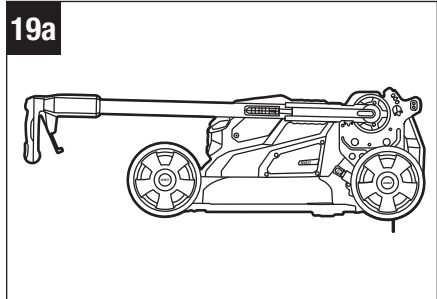
Les mesures suivantes doivent être prises pour préparer la tondeuse à gazon en vue de son stockage.

1. Retirez le bloc-piles de la tondeuse et rangez-le à température ambiante dans un endroit sec.
2. Nettoyez la tondeuse comme décrit précédemment dans la section sur la **MAINTENANCE**.
3. Inspectez la lame et remplacez-la ou affûtez-la si nécessaire.
4. Rangez la tondeuse dans un endroit sec et propre. Ne la rangez pas à côté de matériaux corrosifs tels que des engrais ou du sel gemme.
5. Rangez la tondeuse dans un endroit couvert et fermé, frais et sec, hors de portée des enfants.
6. Ne couvrez pas la tondeuse à gazon avec une feuille de plastique solide. Les emballages en plastique capturent l'humidité autour de la tondeuse, ce qui produit de la rouille et de la corrosion.

La poignée peut être complètement repliée pour être rangée :

1. Retirez le sac à herbe.
2. Ajustez le levier de réglage de la hauteur de coupe avant/arrière sur la hauteur la plus basse.
3. Rabattez la poignée en position de rangement verrouillée ; voir la section intitulée « **AJUSTEMENT DE LA POIGNÉE PLIANTE** » de ce mode d'emploi.
4. Rangez la tondeuse à plat (recommandé) ou en position verticale (Fig. 19a & 19b).

⚠ AVERTISSEMENT : Si la tondeuse bascule depuis la position verticale, elle risque d'être endommagée ou de provoquer des blessures. Gardez toujours la tondeuse stable et hors de portée des enfants lorsqu'elle est en position verticale. Si possible, posez-la à plat pour la ranger.



RECHERCHE DE LA CAUSE DES PROBLÈMES

PROBLÈME	CAUSE	SOLUTION
La tondeuse ou le système d'autopropulsion ne démarre pas.	<ul style="list-style-type: none"> Le bloc-piles est déchargé. 	<ul style="list-style-type: none"> Chargez le bloc-piles.
	<ul style="list-style-type: none"> Le Le bloc-piles n'a pas été inséré correctement dans le compartiment de la pile. 	<ul style="list-style-type: none"> Insérez le bloc-piles dans compartiment des piles et appuyez dessus jusqu'à ce que vous entendiez un déclic.
	<ul style="list-style-type: none"> La poignée n'est pas verrouillée en position de fonctionnement, et le voyant d'état de fonctionnement de la tondeuse clignote en vert. 	<ul style="list-style-type: none"> Arrêtez la tondeuse et assurez-vous que la poignée est verrouillée dans l'une des positions de fonctionnement.
	<ul style="list-style-type: none"> Le châssis de la tondeuse est encombré par de l'herbe et des débris. 	<ul style="list-style-type: none"> Nettoyez le châssis de la tondeuse et assurez-vous que la lame tourne librement.
	<ul style="list-style-type: none"> Le sélecteur de vitesse d'autopropulsion est sur la position la plus basse (OFF). 	<ul style="list-style-type: none"> Tournez légèrement le cadran de réglage de la vitesse d'autopropulsion vers l'avant, puis appuyez sur la gâchette de l'autopropulseur.
La tondeuse coupe de manière irrégulière.	<ul style="list-style-type: none"> La lame est émoussée. 	<ul style="list-style-type: none"> Affûtez la lame ou remplacez-la.
	<ul style="list-style-type: none"> La hauteur de coupe de l'herbe n'est pas réglée correctement. 	<ul style="list-style-type: none"> Réglez la hauteur du châssis à un niveau plus élevé.
	<ul style="list-style-type: none"> La lame est mal installée. 	<ul style="list-style-type: none"> Remontez la lame en suivant les instructions de la section intitulée « INSTALLATION DES LAMES » dans ce mode d'emploi.
	<ul style="list-style-type: none"> Le mode de réglage de la vitesse des lames n'est pas configuré correctement. 	<ul style="list-style-type: none"> Sélectionnez un mode de réglage de la vitesse des lames plus approprié.

PROBLÈME	CAUSE	SOLUTION
<p>L'autonomie de fonctionnement de la tondeuse avec la pile incluse est courte.</p>	<ul style="list-style-type: none"> ■ L'état de l'herbe et le réglage de la hauteur de coupe affectent dans une large mesure l'autonomie de fonctionnement de la tondeuse à piles. L'autonomie de fonctionnement indiquée est basée sur des conditions de charge légère. 	<ul style="list-style-type: none"> ■ Élevez la hauteur de la lame et ralentissez la vitesse de rotation de la lame pour réduire la charge de coupe.
	<ul style="list-style-type: none"> ■ Le mode de réglage de la vitesse des lames n'est pas configuré correctement. 	<ul style="list-style-type: none"> ■ Sélectionnez un mode de réglage de la vitesse des lames plus lent.
<p>La tondeuse ne déchiquette pas correctement.</p>	<ul style="list-style-type: none"> ■ Des déchets de tonte mouillés adhèrent au dessous du châssis. 	<ul style="list-style-type: none"> ■ Attendez que l'herbe sèche avant de la tondre.
	<ul style="list-style-type: none"> ■ La tondeuse est paramétrée pour couper trop d'herbe à la fois. 	<ul style="list-style-type: none"> ■ Relevez le châssis à une hauteur de coupe plus élevée.
	<ul style="list-style-type: none"> ■ Le mode de réglage de la vitesse des lames n'est pas configuré correctement. 	<ul style="list-style-type: none"> ■ Sélectionnez le mode de réglage de la vitesse des lames 2 ou 1.

PROBLÈME	CAUSE	SOLUTION
<p>La tondeuse s'arrête de façon inattendue pendant la tonte.</p>	<ul style="list-style-type: none"> ■ Le bloc-piles est déchargé. 	<ul style="list-style-type: none"> ■ Chargez le bloc-piles.
	<ul style="list-style-type: none"> ■ La tondeuse est surchargée et l'indicateur d'état de fonctionnement de la tondeuse clignote en orange. 	<ul style="list-style-type: none"> ■ Vérifiez si de l'herbe s'est accumulée sous le châssis, et nettoyez-le si nécessaire. Augmentez la hauteur de coupe ou ralentissez la vitesse de tonte.
	<ul style="list-style-type: none"> ■ Le châssis de tondeuse est encombré par de l'herbe et des débris. 	<ul style="list-style-type: none"> ■ Désobstruez le châssis de la tondeuse. Augmentez la hauteur de coupe et/ou coupez un andain plus étroit.
	<ul style="list-style-type: none"> ■ Le bloc-piles ou le circuit de la tondeuse à gazon est trop chaud. Si le bloc-piles est en état de surchauffe, l'indicateur d'état de fonctionnement de la tondeuse s'éteint. Si la tondeuse est en état de surchauffe, le voyant d'état de fonctionnement de la tondeuse s'allume en orange fixe. 	<ul style="list-style-type: none"> ■ Laissez le bloc-piles ou la tondeuse refroidir. ■ Nettoyez l'orifice d'entrée d'air en suivant la section intitulée « Nettoyage de l'orifice d'entrée d'air ».
	<ul style="list-style-type: none"> ■ Le mode de réglage de la vitesse des lames n'est pas configuré correctement. 	<ul style="list-style-type: none"> ■ Configurez la vitesse de rotation des lames sur un réglage inférieur.
	<ul style="list-style-type: none"> ■ L'indicateur d'erreur électronique de la tondeuse et l'indicateur d'état de fonctionnement de la tondeuse clignotent alternativement en rouge/vert. 	<ul style="list-style-type: none"> ■ Contactez le service à la clientèle d'EGO.

PROBLÈME	CAUSE	SOLUTION
Les vibrations sont excessives.	<ul style="list-style-type: none"> La fixation d'une lame de coupe est mal assujettie. 	<ul style="list-style-type: none"> Serrez le boulon de fixation de l'arbre.
	<ul style="list-style-type: none"> La lame de coupe est déséquilibrée. 	<ul style="list-style-type: none"> Équilibrez le jeu de lames en suivant les instructions de la section intitulée « AFFÛTAGE DES LAMES ».
	<ul style="list-style-type: none"> Une ou plusieurs lame(s) de coupe est/sont tordue(s). 	<ul style="list-style-type: none"> Remplacez la lame ou les lames.
	<ul style="list-style-type: none"> L'arbre du moteur est tordu. 	<ul style="list-style-type: none"> Contactez le service à la clientèle d'EGO.
	<ul style="list-style-type: none"> La tondeuse est paramétrée pour couper trop d'herbe à la fois. 	<ul style="list-style-type: none"> Relevez le châssis à une hauteur de coupe plus élevée.
	<ul style="list-style-type: none"> Le mode de réglage de la vitesse des lames n'est pas configuré correctement. 	<ul style="list-style-type: none"> Configurez la vitesse de rotation des lames sur un réglage inférieur.
La tondeuse est difficile à tirer en arrière lorsque le système d'autopropulsion est désactivé.	<ul style="list-style-type: none"> Les roues sont temporairement bloquées. 	<ul style="list-style-type: none"> Il suffit de pousser légèrement vers l'avant ou de relever les roues arrière, puis de déplacer la tondeuse comme vous le souhaitez.
La tondeuse est difficile à manœuvrer lorsqu'elle contourne un objet ou lorsqu'elle tond en alternance vers l'avant et vers l'arrière lorsque l'autopropulsion est activée.	<ul style="list-style-type: none"> Les roues sont temporairement bloquées. 	<ul style="list-style-type: none"> Désactivez le système d'autopropulsion.

PROBLÈME	CAUSE	SOLUTION
Le moteur fonctionne, mais les lames ne coupent pas l'herbe..	<ul style="list-style-type: none">■ Le boulon de fixation de l'arbre n'est pas serré au couple requis.	<ul style="list-style-type: none">■ Serrez à nouveau le boulon de fixation de l'arbre. Le couple recommandé est de 50-60 Nm / 36-43 pi-lb.

GARANTIE LIMITÉE D'EGO

CONDITIONS ET DURÉE DE LA POLITIQUE DE GARANTIE

Chervon North America, Inc. (« Chervon North America ») accorde la Garantie limitée suivante pour les produits EGO à l'acheteur initial de produits EGO.

La période de garantie détaillée de chaque produit EGO est indiquée en ligne à l'adresse

<http://egopowerplus.com/warranty-policy>.

Veillez contacter le Service à la clientèle d'EGO en téléphonant au 1-855-EGO-5656 (appel gratuit) à tout moment en cas de questions, si vous voulez vous prévaloir de la garantie ou si vous souhaitez obtenir une version sur papier de la garantie.

GARANTIE LIMITÉE DE SERVICE APRÈS-VENTE

Les produits EGO sont garantis contre tout défaut de matériel ou de fabrication à partir de la date d'achat au détail originale et pendant la période de garantie applicable.

Pour toute demande de garantie soumise correctement et dans les délais, si Chervon North America détermine qu'un produit est défectueux pendant la période de garantie, le produit sera réparé ou remplacé gratuitement, selon ce qui aura été déterminé par Chervon North America.

COMMENT OBTENIR DE L'ASSISTANCE DANS LE CADRE DU SERVICE APRÈS-VENTE

Pour obtenir de l'assistance dans le cadre de la garantie (pendant la période de garantie applicable), veuillez contacter le service à la clientèle d'EGO en téléphonant au **1-855-EGO-5656** (appel gratuit). Lorsque vous demandez de l'assistance dans le cadre de la garantie, vous devez présenter le reçu de vente original daté. Un centre de service après-vente agréé sera sélectionné pour évaluer et réparer le produit défectueux conformément aux conditions de garantie énoncées. Lorsque vous apportez votre produit au centre de service après-vente agréé, il se peut qu'une petite caution vous soit demandée lors du dépôt de votre outil. Cette caution est remboursable lorsque le service de réparation est considéré comme étant couvert par la garantie.

LIMITATIONS ET EXCLUSIONS SUPPLÉMENTAIRES

Cette garantie limitée ne s'applique qu'à l'acheteur initial d'un produit à un revendeur agréé EGO, et elle ne peut pas être cédée. Les produits EGO ne sont pas considérés comme défectueux et la présente garantie ne s'applique pas lorsque le défaut invoqué est imputable à une cause autre que les défauts définis ci-dessus. Cette garantie est nulle et non avenue si le produit a été utilisé à des fins de location. La présente

garantie ne s'applique pas aux dommages causés par un accident, un abus, une mauvaise utilisation, une altération, une modification, une réparation non autorisée, un contact avec un liquide, un incendie, un tremblement de terre ou toute autre cause externe ; par une utilisation du produit en dehors des instructions, spécifications ou directives d'EGO ; ou par un manquement à l'entretien ou à la maintenance convenable du produit. Cette garantie ne s'applique pas non plus aux dommages esthétiques, y compris, mais sans s'y limiter, les rayures ou les bosses, ainsi qu'aux défauts causés par l'usure normale ou autrement dus au vieillissement normal du produit.

CETTE GARANTIE EXPRESSE EST DONNÉE EN LIEU ET PLACE DE TOUTE AUTRE GARANTIE, EXPRESSE OU IMPLICITE, Y COMPRIS, MAIS SANS S'Y LIMITER, TOUTE GARANTIE DE QUALITÉ MARCHANDE OU D'ADÉQUATION À UN USAGE PARTICULIER, QUI EST REJETÉE. Toute garantie implicite, y compris la garantie de qualité marchande ou d'adéquation à un usage particulier qui ne peut être rejetée en vertu de la loi de l'État ou de la province est limitée à la période de garantie applicable définie au début de cet article. Le seul et unique recours en rapport avec l'achat, l'installation, l'utilisation et/ou la performance des produits EGO est la réparation ou le remplacement du produit selon la décision de Chervon North America. La responsabilité maximale de Chervon North America ne dépassera en aucun cas le prix d'achat payé pour le produit. CHERVON NORTH AMERICA NE SERA PAS RESPONSABLE ENVERS L'UTILISATEUR OU TOUTE AUTRE PERSONNE DES DOMMAGES CONSÉCUTIFS, ACCIDENTELS, SPÉCIAUX, EXEMPLAIRES, INDIRECTS OU PUNITIFS RÉSULTANT DE L'UTILISATION DES PRODUITS, Y COMPRIS, MAIS SANS S'Y LIMITER, LES PRÉJUDICES CORPORELS, LA MORT, LES DOMMAGES MATÉRIELS, LA PERTE DE BÉNÉFICES OU TOUT AUTRE DOMMAGE ÉCONOMIQUE. Cette garantie vous confère des garanties juridiques particulières, et vous pouvez aussi avoir d'autres droits, qui varient selon l'État ou la province. Étant donné que certains États et certaines provinces ne permettent pas de limitations quant à la durée d'une garantie implicite ou ne permettent pas l'exclusion ou la limitation des dommages indirects ou secondaires, ou le délai de prescription pour intenter certaines actions, il est possible que les limitations contenues aux présentes ne s'appliquent pas à consommateurs dans ces États ou provinces.

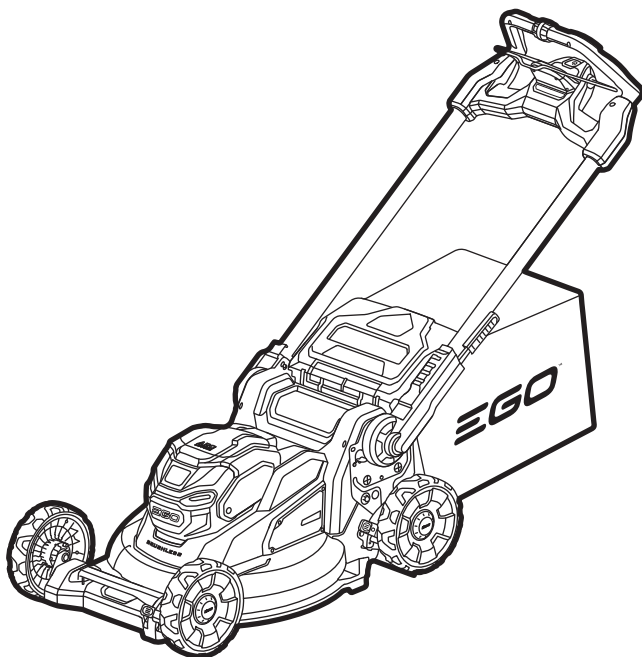
Cette garantie est soumise au droit du Michigan et doit être interprétée conformément au droit du Michigan sans tenir compte des principes de conflits de lois. Aucune action en justice ne pourra être intentée contre Chervon North America si elle n'est pas déposée dans un délai d'un (1) an après que le fondement de cette action en justice aura été connu, ou qu'il aurait dû l'être si une diligence raisonnable avait été exercée. Toute action non intentée dans les délais est réputée abandonnée.

Pour le service à la clientèle, contactez-nous en téléphonant au numéro suivant (appel gratuit) : **1-855-EGO-5656** ou **EGOPOWERPLUS.COM**.

EGO Customer Service,
769 Seward Ave. NW, Suite 102,
Grand Rapids, Michigan 49504.

EGO™

POWER⁺ MOWER



MANUAL DE OPERACIONES
**CORTADORA DE CÉSPED DE 22
PULGADAS INALÁMBRICA DE
ION LITIO DE 56 V**

NÚMERO DE MODELO LM2200SP/LM2200SP-FC

⚠ ADVERTENCIA: Para reducir el riesgo de lesiones, el usuario debe leer y comprender el Manual del usuario antes de usar el producto. Guarde estas instrucciones para consultarlas en el futuro.

¡LEA TODAS LAS INSTRUCCIONES!



LEA Y ENTIENDA EL
MANUAL DEL OPERADOR

ÍNDICE

Símbolos de seguridad	111
Símbolos	112-114
Normas de seguridad para la cortadora de césped inalámbrica	115-122
Introducción	123
Especificaciones	124-125
Accesorios recomendados	125
Descripción	126-130
Ensamblaje	130-137
Utilización	138-148
Mantenimiento	149-157
Resolución de problemas	158-162
Garantía Limitada de EGO	163-165

SÍMBOLOS DE SEGURIDAD

La finalidad de los símbolos de seguridad es atraer la atención del usuario hacia posibles peligros. Los símbolos de seguridad y las explicaciones que los acompañan merecen que usted preste una atención detenida y logre una comprensión profunda. Las advertencias con símbolo no eliminan por sí mismas ningún peligro. Las instrucciones y las advertencias que dan no son sustitutos de las medidas adecuadas de prevención de accidentes.

⚠ ADVERTENCIA: Asegúrese de leer y entender todas las instrucciones de seguridad contenidas en este manual del operador, incluyendo todos los símbolos de alerta de seguridad, tales como “**PELIGRO**”, “**ADVERTENCIA**” y “**PRECAUCIÓN**”, antes de utilizar esta herramienta. Si no se siguen todas las instrucciones que se indican a continuación, es posible que el resultado sea descargas eléctricas, incendio y/o lesiones corporales graves.

Las definiciones que aparecen a continuación describen el nivel de gravedad de cada palabra de aviso. Por favor, lea el manual y preste atención a estos símbolos.	
	Este es el símbolo de alerta de seguridad. Se utiliza para alertarle a usted de posibles peligros de lesiones corporales. Obedezca todos los mensajes de seguridad que sigan a este símbolo para evitar posibles lesiones o la muerte.
	PELIGRO indica una situación peligrosa que, si no se evita, causará la muerte o lesiones graves.
	ADVERTENCIA indica una situación peligrosa que, si no se evita, podría causar la muerte o lesiones graves.
	PRECAUCIÓN, utilizada con el símbolo de alerta de seguridad, indica una situación peligrosa que, si no se evita, podría causar lesiones leves o moderadas.

MENSAJES DE PREVENCIÓN DE DAÑOS E INFORMACIÓN

Estos mensajes ofrecen al usuario información e/o instrucciones importantes que hay que seguir para no causar daños al equipo u otros daños materiales. Cada mensaje va precedido por la palabra “**AVISO**”, como en el ejemplo que aparece a continuación:

AVISO: Si no se siguen estas instrucciones se pueden producir daños al equipo y/o daños materiales.

SÍMBOLOS

Esta página muestra y describe los símbolos de seguridad que es posible que aparezcan en este producto. Lea, entienda y siga todas las instrucciones que se encuentran en la máquina antes de intentar ensamblarla y utilizarla.

	Alerta de seguridad	Indica un peligro potencial de lesiones corporales.
	Protección ocular	Use siempre anteojos de seguridad o gafas de seguridad con escudos laterales y una careta completa cuando utilice este producto.
	Lea y entienda el manual del operador	Para reducir el riesgo de lesiones, el usuario debe leer y entender el manual del operador antes de utilizar este producto.
	Mantenga los dispositivos de seguridad	No abra ni retire los escudos de seguridad mientras la herramienta esté en funcionamiento.
	Mire hacia atrás cuando retroceda	Mire primero hacia abajo y hacia atrás para evitar tropezar al retroceder.
	PELIGRO: Mantenga alejados las manos y los pies	Para reducir el riesgo de lesiones, mantenga las manos y los pies alejados de las piezas rotativas. No utilice la cortadora de césped a menos que la cubierta de descarga o la bolsa de pasto estén en su posición correcta. En caso de daños, se deben reemplazar de inmediato.
	PELIGRO: Mantenga alejados a los curiosos	No corte césped cuando haya cerca niños u otras personas.

	PELIGRO: Residuos lanzados al aire	Retire los objetos que puedan ser lanzados al aire por la cuchilla en cualquier dirección. Use anteojos de seguridad.
	PELIGRO: Peligro de pendiente pronunciada	Tenga precaución adicional en las pendientes. No corte el césped en pendientes de más de 15 grados.
	Símbolos de reciclaje	Este producto utiliza baterías de ion litio (ion Li). Es posible que las leyes locales, estatales o federales prohíban la eliminación de baterías en la basura ordinaria. Consulte a su autoridad local de eliminación de residuos para obtener información sobre las opciones de reciclaje y/o eliminación disponibles.
	Bluetooth®	Símbolo de Bluetooth®
IP...	Calificación de protección contra la penetración (IP)	Clasifica el grado de protección proporcionada por un recinto cerrado para equipos eléctricos
V	Voltio	Tensión
	Corriente continua	Tipo o característica de corriente
mm	Milímetro	Longitud o tamaño
in.	Pulgada	Longitud o tamaño
kg	Kilogramo	Peso
lb	Libra	Peso
L	Litro	Volumen
bu	Fanega	Volumen
min	Minutos	Tiempo
n ₀	Velocidad sin carga	Velocidad rotacional, sin carga
RPM	Revoluciones por minuto	Velocidad rotacional

°C	Grados Celsius	Temperatura
°F	Grados Fahrenheit	Temperatura

⚠ WARNING: To ensure safety and reliability, all repairs should be performed by a qualified service technician.

NORMAS DE SEGURIDAD PARA LA CORTADORA DE CÉSPED INALÁMBRICA

⚠ PELIGRO: Esta máquina fue construida para utilizarse de acuerdo con las normas de utilización segura incluidas en este manual. Al igual que con cualquier equipo eléctrico, un descuido o un error por parte del operador puede causar lesiones graves. Esta máquina es capaz de amputar las manos y los pies y lanzar objetos al aire. Si no se observan todas las instrucciones de seguridad, el resultado podría ser lesiones graves o la muerte.

⚠ ADVERTENCIA: Cuando utilice cortadoras de césped eléctricas, se deberán seguir siempre precauciones de seguridad básicas para reducir el riesgo de incendio, descargas eléctricas y lesiones corporales. Estas precauciones básicas incluyen las siguientes:

NIÑOS

Se pueden producir accidentes trágicos si el operador no está alerta a la presencia de niños. Los niños son atraídos a menudo a la cortadora y la actividad de corte de césped. No entienden los peligros. No suponga nunca que los niños permanecerán donde los vio por última vez.

- Mantenga a los niños fuera del área de corte de césped y bajo el cuidado vigilante de un adulto responsable que no sea el operador.
- Esté alerta y apague la cortadora de césped si un niño entra en el área.
- Tenga sumo cuidado cuando se acerque a esquinas ciegas, puertas, arbustos, árboles u otros objetos que puedan oscurecer al operador la visión de un niño que pueda correr hacia la cortadora.
- No deje nunca que niños menores de 14 años utilicen una cortadora de césped eléctrica. Los niños de 14 años y mayores de esa edad deberán leer y entender las instrucciones de utilización y las normas de seguridad contenidas en este manual, y deberán recibir capacitación y supervisión por un padre o una madre. Solo se deberá permitir que las personas responsables que estén familiarizadas con estas normas de utilización segura empleen esta máquina.

UTILIZACIÓN

UTILIZACIÓN GENERAL:

- Lea detenidamente por completo este manual del operador antes de intentar ensamblar esta máquina. Lea, entienda y siga todas las instrucciones que se encuentran en la máquina y en los manuales antes de utilizarla. Familiarícese completamente con los controles y el uso correcto de esta máquina antes de utilizarla. Mantenga este manual en un lugar seguro para referencia futura y periódica, así como para ordenar piezas de repuesto.
- Manténgase alerta: Fijese en lo que está haciendo. Use el sentido común. No utilice la cortadora de césped cuando esté cansado.
- No utilice la máquina mientras esté bajo la influencia de alcohol o drogas.
- Mantenga alejados a los niños: Todos los visitantes se deberán mantener a una distancia segura del área de trabajo.
- Mantenga las manos y los pies alejados del área de corte.
- No utilice el producto en la lluvia.
- Utilice el aparato eléctrico adecuado: No utilice la cortadora de césped para cualquier trabajo, excepto para aquél para el cual esté diseñada. La cortadora de césped ha sido diseñada para realizar solo un trabajo: cortar pasto.
- No intente alcanzar demasiado lejos: Mantenga un apoyo de los pies y un equilibrio adecuados en todo momento.
- Los objetos golpeados por la cuchilla de la cortadora de césped pueden causar lesiones graves a las personas. El césped se deberá examinar siempre cuidadosamente y se deberán retirar de él todos los objetos antes de realizar cada corte.
- Antes de moverse hacia atrás con la cortadora de césped y mientras lo hace, mire hacia atrás y hacia abajo para ver si hay niños pequeños y otras personas.
- No fuerce la cortadora de césped: Hará el trabajo mejor y de manera más segura a la capacidad nominal para la cual fue diseñada.
- Planifique su patrón de corte para evitar descargar el material hacia caminos, banquetas de la calle, personas presentes y cosas similares. Además, evite descargar material contra paredes u obstrucciones, lo cual podría hacer que el material descargado rebote hacia atrás, hacia el operador.
- Para ayudara a evitar el contacto con la cuchilla o una lesión causada por objetos lanzados al aire, permanezca en la zona del operador detrás de las agarraderas

y mantenga a los niños, las personas presentes, los ayudantes y los animales domésticos al menos a 100 pies (30 m) de la cortadora de césped mientras esté en funcionamiento. Pare la máquina si alguien entra en el área.

- Use siempre gafas de seguridad o anteojos de seguridad durante la utilización y mientras esté realizando un ajuste o una reparación, para protegerse los ojos. Los objetos lanzados al aire que reboten pueden causar lesiones graves en los ojos. Utilice siempre una careta o una máscara antipolvo si la operación genera grandes cantidades de polvo.
- Vístase adecuadamente: No use ropa holgada ni joyas. Pueden quedar atrapadas en las piezas móviles. Se recomienda usar guantes y calzado de caucho cuando se trabaje a la intemperie. Use zapatos de trabajo robustos con suela resistente y pantalones largos y camisas que queden bien ajustados. Se recomiendan camisas y pantalones que cubran los brazos y las piernas, así como zapatos con punta de acero. No utilice nunca esta máquina con los pies descalzos, sandalias o zapatos resbalosos o ligeros (p. ej., de lona).
- No jale nunca la cortadora de césped hacia atrás, hacia usted, mientras esté caminando. Si debe hacer retroceder la cortadora de césped para alejarla de una pared o una obstrucción, mire primero hacia abajo y detrás de usted para evitar tropezar, y luego siga estos pasos:
- Dé un paso hacia atrás respecto a la cortadora de césped para extender completamente los brazos.
- Asegúrese de estar bien equilibrado con un apoyo seguro de los pies.
- Jale la cortadora de césped lentamente hacia atrás, no más de la mitad del recorrido hacia usted.
- Repita estos pasos según sea necesario.
- Mantenga el área de utilización despejada de todos los curiosos, especialmente de niños pequeños. Pare la máquina y el aditamento (los aditamentos) si alguien entra en el área.
- La agarradera de control del motor/la cuchilla es un dispositivo de seguridad. No intente nunca anular su funcionamiento. Al hacer esto se hace que el dispositivo de seguridad se vuelva inoperativo y es posible que cause lesiones corporales a través del contacto con la cuchilla que rota. La agarradera de control del motor/la cuchilla debe funcionar fácilmente en ambos sentidos y regresar automáticamente a la posición desactivada al soltarla.
- Evite los entornos peligrosos: No use cortadoras de césped en lugares húmedos o mojados, para evitar resbalar y caer durante su utilización.

- Esté siempre seguro del apoyo de los pies. Un resbalón y una caída pueden causar lesiones corporales graves. Si siente que está perdiendo el apoyo de los pies, suelte de inmediato la agarradera de control del motor/la cuchilla y la cuchilla dejará de rotar en tres segundos o menos.
- Corte césped solo en luz diurna o buena luz artificial. Camine, no corra nunca, mientras esté utilizando la cortadora de césped.
- Pare la cuchilla cuando cruce entradas de garaje, caminos o carreteras de grava.
- Si el equipo empezara a vibrar anómalamente, pare inmediatamente el motor, retire el paquete de batería y busque la causa. La vibración es generalmente una advertencia de problemas.
- Manténgase alejado de la abertura de descarga en todo momento.
- Antes de limpiar la máquina, desobstruir el conducto o retirar o reemplazar la bolsa de pasto, el inserto de trituración o el conducto de descarga lateral, apague el motor y espere hasta que la cuchilla se detenga por completo, y luego retire el paquete de batería. La cuchilla de corte continúa rotando durante unos segundos después de apagar el motor. No ponga nunca ninguna parte del cuerpo en el área de la cuchilla hasta que esté seguro de que la cuchilla ha dejado de rotar.
- No utilice nunca la cortadora de césped sin el escudo trasero, la cubierta de descarga, la bolsa de pasto, el inserto de trituración, el conducto de descarga lateral, la agarradera de control del motor/la cuchilla u otros dispositivos protectores de seguridad adecuados colocados en la posición correcta y funcionando. No utilice nunca la cortadora de césped con dispositivos de seguridad dañados. Si no se hace así, el resultado puede ser lesiones corporales.
- Desacople el mecanismo de autopropulsión o el embrague de transmisión de las unidades así equipadas antes de arrancar el motor.
- Prevenga los arranques accidentales. Asegúrese de que el interruptor esté en la posición de apagado antes de conectar el aparato eléctrico al paquete de batería, levantar el aparato eléctrico o transportarlo. Si se transporta el aparato eléctrico con el dedo en el interruptor o si se suministra corriente al aparato eléctrico cuando tenga el interruptor en la posición de encendido se invita a que se produzcan accidentes.
- Desconecte el paquete de batería del aparato eléctrico antes de hacer cualquier ajuste, cambiar accesorios o almacenar el aparato eléctrico. Dichas medidas preventivas de seguridad reducen el riesgo de arrancar accidentalmente el aparato eléctrico.

- Recargue las baterías solo con el cargador especificado por el fabricante. Es posible que un cargador que sea adecuado para un tipo de paquete de batería cree un riesgo de incendio cuando se utilice con otro paquete de batería.
- Utilice la máquina solo con paquetes de batería designados específicamente. Es posible que el uso de cualquier otro paquete de batería cree un riesgo de lesiones e incendio.

PAQUETE DE BATERÍA	CARGADOR
BA1400, BA1400-FC, BA2800, BA2800-FC, BA4200, BA4200-FC, BA1400T, BA1400T-FC, BA2242T, BA2242T-FC, BA2800T, BA2800T-FC, BA3360T, BA3360T-FC, BA4200T, BA4200T-FC, BA4480T, BA4480T-FC, BA5600T, BA5600T-FC, BA6720T, BA6720T-FC	CH2100, CH2100-FC, CH3200, CH3200-FC, CH5500, CH5500-FC, CH2800D, CH2800D-FC, CH7000, CH7000-FC

- Cuando el paquete de batería no se esté utilizando, manténgalo alejado de otros objetos metálicos, tales como clips sujetapapeles, monedas, llaves, clavos, tornillos u otros objetos metálicos pequeños, que puedan hacer una conexión de un terminal al otro. Si se cortocircuitan juntos los terminales de la batería, es posible que se causen quemaduras o un incendio.
- En condiciones abusivas es posible que se expulse líquido de la batería; evite el contacto. Si se produce contacto accidentalmente, enjuáguese con agua. Si el líquido entra en contacto con los ojos, obtenga además ayuda médica. Es posible que el líquido expulsado de la batería cause irritación o quemaduras.
- No utilice un paquete de batería o un aparato eléctrico que estén dañados o modificados. Es posible que las baterías dañadas o modificadas exhiban un comportamiento imprevisible que cause incendio, explosión o riesgo de lesiones.
- No exponga un paquete de batería o un aparato eléctrico a un fuego o a una temperatura excesiva. Es posible que la exposición a un fuego o a una temperatura superior a 265 °F (130 °C) cause una explosión.
- Siga todas las instrucciones de carga y no cargue el paquete de batería ni el aparato eléctrico fuera del intervalo de temperatura especificado en las instrucciones. Es posible que la realización de la carga de manera inadecuada o a temperaturas que estén fuera del intervalo especificado dañe la batería y aumente el riesgo de incendio.
- Haga que el servicio de ajustes y reparaciones sea realizado por un técnico de reparaciones calificado que utilice únicamente piezas de repuesto idénticas. Esto garantizará que se mantenga la seguridad del producto.

- No modifique ni intente reparar la máquina o el paquete de batería, excepto tal como se indique en las instrucciones de uso y cuidado.
- Si se producen situaciones que no estén cubiertas en este manual, tenga cuidado y aplique un buen criterio. Contacte a Servicio al Cliente de EGO para obtener asistencia.

UTILIZACIÓN EN UNA PENDIENTE:

Las pendientes son un factor importante relacionado con los accidentes por resbalones y caídas, los cuales pueden causar lesiones graves. La utilización en pendientes requiere precaución adicional. Si se siente incómodo en una pendiente, no corte el césped en ella. Por su seguridad, utilice el calibre de pendientes de este manual para medir las pendientes antes de utilizar esta unidad en un área con pendiente o colinas. Si la pendiente es de más de 15 grados, no corte el césped en ella.

Antes de limpiar la máquina, desobstruir el conducto o retirar o reemplazar la bolsa de pasto, el inserto de trituración o el conducto de descarga lateral, apague el motor y espere hasta que la cuchilla se detenga por completo, y luego retire el paquete de batería. La cuchilla de corte continúa rotando durante unos segundos después de apagar el motor. No ponga nunca ninguna parte del cuerpo en el área de la cuchilla hasta que esté seguro de que la cuchilla ha dejado de rotar.

No utilice la máquina en ninguna situación en la que la estabilidad esté en duda. Las llantas podrían deslizarse incluso si las ruedas están detenidas.

Tenga cuidado adicional cuando utilice la máquina con un colector de pasto, ya que esto puede afectar a la estabilidad de la misma.

Haga lo siguiente:

- Corte el césped transversalmente a la cara de las pendientes; no lo corte nunca hacia arriba y hacia abajo. Tenga suma precaución cuando cambie de dirección en pendientes.
- Esté atento a la presencia de agujeros, surcos, rocas, objetos ocultos o baches que pueden hacer que usted resbale o tropiece. El pasto alto puede ocultar obstáculos.

No haga lo siguiente:

- No corte el césped cerca de desniveles, zanjas o terraplenes; podría perder el apoyo de los pies o el equilibrio.

- No corte el césped en pendientes de más de 15 grados, tal como se muestra en el calibre de pendientes.
- No corte el césped si el pasto está mojado. Un apoyo inestable de los pies podría causar un resbalón.

SERVICIO DE AJUSTES Y REPARACIONES

⚠ ADVERTENCIA: Los componentes de la bolsa de pasto, la puerta de descarga, el conducto de descarga lateral, el inserto de trituración y el escudo trasero están sujetos a desgaste y daños, lo cual podría dejar al descubierto las piezas móviles o permitir que se lancen objetos al aire, con lo cual se podría aumentar el riesgo de lesiones. Por protección de seguridad, compruebe frecuentemente todos los componentes y reemplace inmediatamente los componentes dañados por piezas de repuesto EGO idénticas.

- Si el interruptor de protección contra sobrecargas incorporado en la cortadora de césped salta frecuentemente, contacte a Servicio al Cliente de EGO o a su centro de servicio EGO más cercano.
- No lave la cortadora de césped con una manguera; evite que entre agua en el motor y en las conexiones eléctricas.
- Retire la batería y almacene la cortadora de césped inactiva en un área cubierta cuando no se esté utilizando. Deje que el motor se enfríe antes de almacenarlo en cualquier lugar cerrado. La cortadora de césped se deberá almacenar en un lugar cerrado, seco, elevado o cerrado con llave, fuera del alcance de los niños.
- Cuando realice servicio de ajustes y reparaciones, utilice únicamente piezas de repuesto EGO idénticas. Es posible que el uso de piezas que no cumplan con las especificaciones del equipo original cause un rendimiento incorrecto y ponga en peligro la seguridad.
- Retire o desconecte el paquete de batería antes de hacer servicio de ajustes y reparaciones, realizar limpieza o retirar material de la cortadora de césped.
- Siga las instrucciones de lubricación y cambio de accesorios.
- Mantenga las agarraderas secas, limpias y libres de aceite y grasa.
- Para reducir un peligro de incendio, mantenga la cubierta del motor libre de acumulación de pasto, hojas y residuos.
- Compruebe los pernos de la cuchilla a intervalos frecuentes para determinar si están correctamente apretados. Además, inspeccione visualmente la cuchilla para determinar si está dañada (p. ej., doblada, agrietada y desgastada). Reemplace la

cuchilla solo por una cuchilla de repuesto EGO idéntica, tal como se indica en la sección “**ACCESORIOS RECOMENDADOS**” de este manual.

- Mantenga la cortadora de césped con cuidado: Mantenga la cuchilla de la cortadora de césped afilada y limpia para obtener un rendimiento óptimo y lo más seguro posible. Las cuchillas de la cortadora de césped están afiladas y pueden cortar. Envuelva la cuchilla o use guantes y tenga precaución adicional cuando le haga servicio de ajustes y reparaciones.
- Mantenga todas las tuercas, pernos y tornillos apretados para asegurarse de que el equipo esté en condiciones de trabajo seguras.
- No retire ni manipule nunca indebidamente los dispositivos de seguridad. Compruebe regularmente que funcionan correctamente. No haga nunca nada para interferir con la función prevista de un dispositivo de seguridad ni para reducir la protección proporcionada por un dispositivo de seguridad.
- Pare siempre el motor antes de hacer ajustes a una rueda o realizar un ajuste de la altura de corte.
- Después de golpear un objeto extraño, pare el motor, retire el paquete de batería, espere a que la cuchilla deje de rotar e inspeccione minuciosamente la cortadora de césped para determinar si tiene algún daño. Repare los daños antes de utilizar la cortadora de césped.
- Mantenga o reemplace las etiquetas de seguridad e instrucciones, según sea necesario.
- **GUARDE ESTAS INSTRUCCIONES.** Consúltelas frecuentemente y úselas para instruir a otras personas que puedan utilizar esta herramienta. Si le presta esta herramienta a otra persona, préstele también estas instrucciones para evitar un uso incorrecto del producto y posibles lesiones.

INTRODUCCIÓN

Felicitaciones por su selección de una cortadora de césped COMERCIAL EGO de ion litio de 56 V nueva. Esta cortadora de césped ha sido diseñada, concebida y fabricada para ofrecerle a usted la mejor confiabilidad y el mejor rendimiento posibles.

En caso de que tenga algún problema que no pueda remediar fácilmente, **sírvase contactar al Servicio al Cliente de EGO llamando al 1-855-EGO-5656.**


Este manual contiene información importante sobre el ensamblaje, la utilización y el mantenimiento seguros de su producto. Léalo detenidamente antes de utilizar la cortadora de césped. Tenga este manual al alcance de la mano para poder consultarlo en cualquier momento.

NÚMERO DE SERIE _____ FECHA DE COMPRA _____

LOS NÚMEROS DE MODELO Y DE SERIE SE ENCONTRARÁN EN UNA ETIQUETA COLOCADA EN LA PUERTA DE DESCARGA TRASERA.

USTED DEBERÁ ANOTAR TANTO EL NÚMERO DE SERIE COMO LA FECHA DE COMPRA Y MANTENERLOS EN UN LUGAR SEGURO PARA REFERENCIA FUTURA.

ESPECIFICACIONES

Tensión	56 V 
Modo de velocidad de las cuchillas	TURBO
	2
Ajuste aproximado de la altura de corte	1
	2
	3
	4
	5
	6
	7
	8
	Tamaño de la plataforma
Volumen de la bolsa de pasto	2,5 fanegas (85 l)
Calificación de protección contra la penetración	IPX4* (protegida contra las salpicaduras de agua)
Peso de la cortadora de césped (sin paquete de batería; con inserto de trituración)	83.8 lb (38 kg)
Temperatura de funcionamiento recomendada	32 °F – 104 °F (0 °C – 40 °C)
Temperatura de almacenamiento recomendada	-4 °F – 158 °F (-20 °C – 70 °C)

* **NOTA:** La calificación IPX4 se basa en que la máquina y la batería se utilicen juntas como un sistema.

Tiempo de funcionamiento aproximado

	Con un paquete de batería BA5600T/BA5600T-FC
Modo 1	70 min
Modo 2	60 min
Modo TURBO	45 min

AVISO: El tiempo de funcionamiento real variará con el estado del pasto: especie, densidad, humedad, etc.

Consejos para maximizar el tiempo de funcionamiento

Para sacar mayor provecho de su cortadora de césped EGO, por favor, siga estas reglas:

- Corte no más de 1,5 pulgadas (38 mm) de pasto en una pasada.
- Mueva la cortadora de césped a un ritmo moderado.
- No corte pasto mojado.
- Asegúrese de que las cuchillas estén afiladas.
- Asegúrese de que la parte inferior de la plataforma esté limpia.

ACCESORIOS RECOMENDADOS

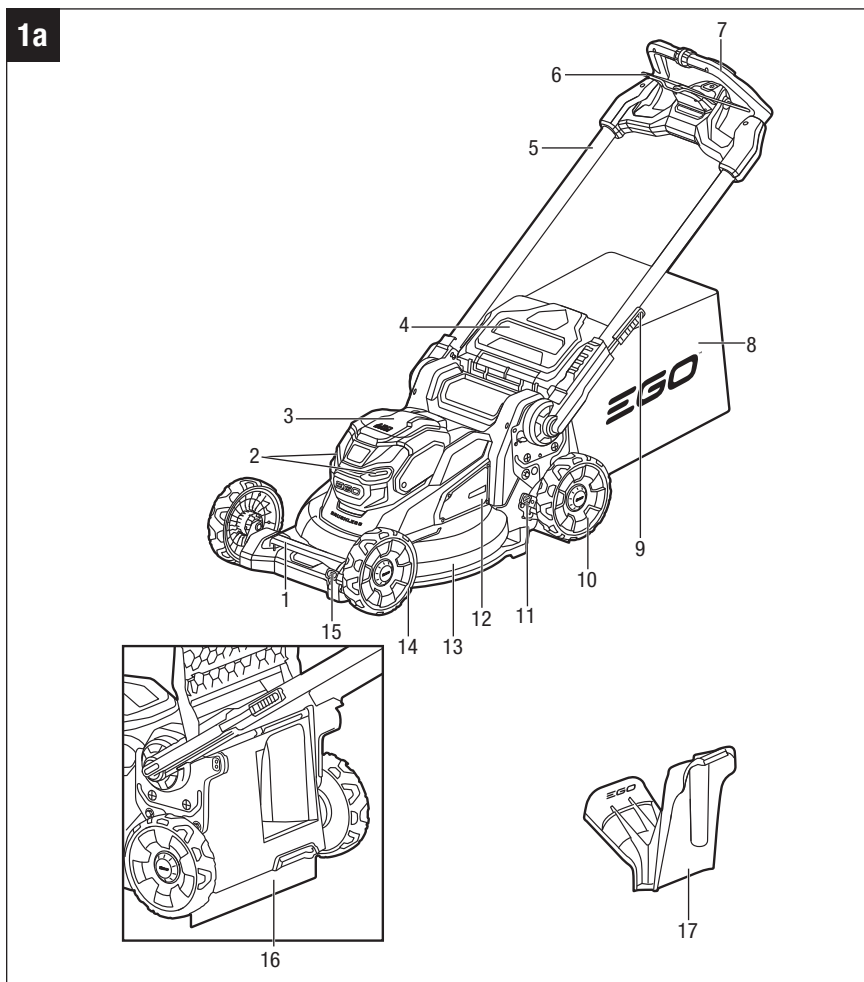
⚠ ADVERTENCIA: La siguiente pieza está sujeta a desgastarse por el uso normal. Utilice solo las piezas de repuesto EGO idénticas que se indican a continuación. Es posible que el uso de piezas que no cumplan con las especificaciones del equipo original cause un rendimiento incorrecto y ponga en peligro la seguridad.

NOMBRE DE LA PIEZA	NÚMERO DE MODELO
Conjunto de cuchilla trituradora EGO	AB2200D
Conjunto de cuchilla embolsadora de alta elevación EGO	AB2201D

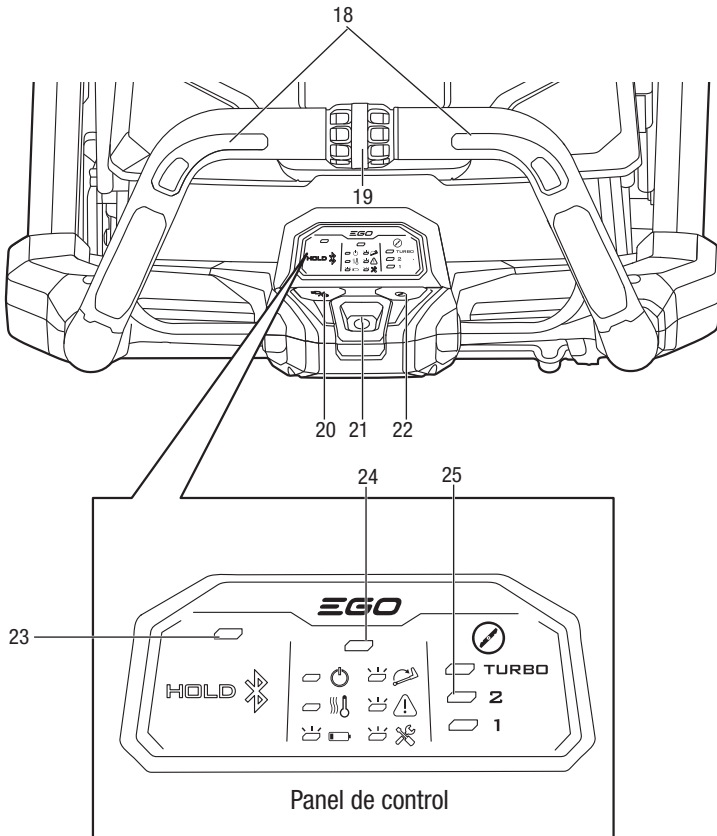
DESCRIPCIÓN

CONOZCA SU CORTADORA DE CÉSPED (Fig. 1a y 1b)

El uso seguro de este producto requiere entender la información que se encuentra en la máquina y en este manual del operador, así como tener conocimiento del proyecto que se esté intentando realizar. Antes de utilizar este producto, familiarícese con todas las características de funcionamiento y todas las normas de seguridad.



1b



1. Agarradera delantera
2. Luces delanteras LED
3. Cubierta del compartimiento de la batería
4. Puerta de descarga trasera
5. Riel lateral
6. Interruptor tipo agarradera (palanca del interruptor)
7. Agarradera
8. Bolsa de pasto
9. Palanca de ajuste rápido
10. Rueda trasera
11. Palanca de ajuste de la altura de corte trasera
12. Entrada de aire
13. Plataforma
14. Rueda delantera
15. Palanca de ajuste de la altura de corte delantera
16. Escudo trasero
17. Inserto de trituración
18. Gatillo de autopropulsión
19. Dial de velocidad de autopropulsión
20. Botón de las luces delanteras LED (botón de Bluetooth®)
21. Botón de alimentación
22. Botón de modo de velocidad de las cuchillas
23. Indicador de Bluetooth®
24. Indicador de estado de la cortadora de césped
25. Indicador de velocidad de las cuchillas

BOTÓN DE ALIMENTACIÓN

- Cuando se presione brevemente, el indicador de estado de la cortadora de césped y el indicador de la velocidad de la cuchilla preestablecida (2) se iluminarán.
- El botón de alimentación se debe presionar antes de que se pueda arrancar el motor.

INTERRUPTOR TIPO AGARRADERA

El interruptor tipo agarradera ENCIENDE y APAGA el motor de las cuchillas.

GATILLO DE AUTOPROPULSIÓN

ENCIENDE y APAGA la función de autopropulsión.

DIAL DE VELOCIDAD DE AUTOPROPULSIÓN

Aumenta o reduce la velocidad de autopropulsión.

BOTÓN DE MODO DE VELOCIDAD DE LAS CUCHILLAS

Permite al usuario seleccionar el modo de velocidad de las cuchillas, dependiendo de las condiciones del pasto.

ESCUDO TRASERO

Diseñado para reducir el riesgo de lesiones causadas por objetos lanzados al aire y/o contacto con las cuchillas.

INSERTO DE TRITURACIÓN

Para triturar el pasto.

PALANCA DE AJUSTE RÁPIDO

Bloquea/desbloquea la posición de la agarradera cuando se ajusta el ángulo de la agarradera de la cortadora de césped:

1. Posición de almacenamiento
2. Posición de utilización superior
3. Posición de utilización central
4. Posición de utilización inferior

LUCES DELANTERAS LED

Las luces delanteras LED están ubicadas en la parte delantera de la cortadora de césped y proporcionan iluminación para aumentar la visibilidad.

PALANCA DE AJUSTE DE LA ALTURA DE CORTE DELANTERA/ TRASERA

Le permite a usted ajustar individualmente la altura de corte de la parte delantera y la parte trasera de la cortadora de césped.

INDICADOR DE BLUETOOTH®

Indica el estado de la conexión Bluetooth®.

NOTA: La marca denominativa y los logotipos Bluetooth® son marcas registradas pertenecientes a Bluetooth SIG, Inc., y cualquier uso de dichas marcas por EGO es bajo licencia.

ENSAMBLAJE

⚠ ADVERTENCIA: Para prevenir arranques accidentales que podrían causar lesiones corporales graves, retire siempre el paquete de batería de la herramienta cuando ensamble piezas.

⚠ ADVERTENCIA: No intente modificar esta máquina ni crear accesorios no recomendados para utilizarse con esta cortadora de césped. Cualquiera de dichas alteraciones o modificaciones constituye un uso incorrecto y podría provocar una situación peligrosa que cause lesiones graves.

DESEMPAQUE

- Saque todos los accesorios de la caja de cartón.

⚠ PRECAUCIÓN: Objeto pesado. Se requieren dos personas para levantar la cortadora de césped.

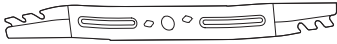
- Una persona deberá agarrar la agarradera delantera y la otra persona deberá agarrar las partes de la agarradera plegada para levantar cuidadosamente la cortadora de césped y sacarla de la caja de cartón.
- Asegúrese de que todos los artículos indicados en la “**LISTA DE EMPAQUETAMIENTO**” estén incluidos.
- Inspeccione minuciosamente el producto para asegurarse de que no se hayan producido roturas o daños durante el envío.
- No deseche el material de empaquetamiento hasta que haya inspeccionado minuciosamente y utilizado satisfactoriamente la cortadora de césped.
- Si alguna de las piezas está dañada o falta, sírvase devolver la cortadora de césped al lugar de compra.

LISTA DE EMPAQUETAMIENTO

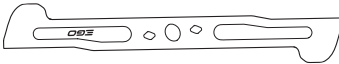
NOMBRE DE LA PIEZA	CANTIDAD
Cortadora de césped	1
Bolsa de pasto	1
Armazón para la bolsa de pasto	1
Inserto de trituración (instalado en la fábrica en la cortadora de césped)	1
Conjunto de cuchilla trituradora EGO (instalado en la fábrica en la cortadora de césped)	1
Manual del operador	1

SISTEMA DE CORTE SELECT CUT™

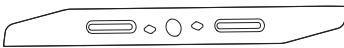
El sistema de corte multicuchilla **Select Cut™** le permite a usted utilizar una de las dos cuchillas inferiores intercambiables: la cuchilla trituradora inferior y la cuchilla embolsadora inferior de alta elevación.



La **cuchilla trituradora inferior** está diseñada específicamente para producir un rendimiento de trituración premium. Esta cuchilla de servicio pesado convierte el pasto en fragmentos finos. Esta cortadora de césped se envía con esta cuchilla ya instalada.



La **cuchilla embolsadora inferior de alta elevación** está diseñada específicamente para proporcionar succión adicional ideal para embolsar, con lo que se deja su jardín libre de pasto cortado.



La **cuchilla superior EGO** se utiliza en combinación con la cuchilla inferior seleccionada para recortar el pasto en fragmentos finos y aumenta enormemente el rendimiento de corte.

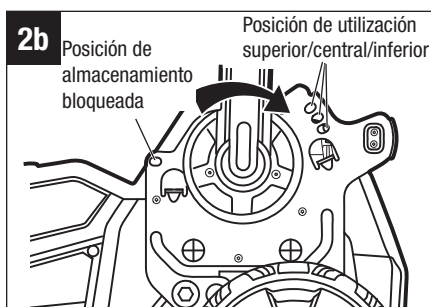
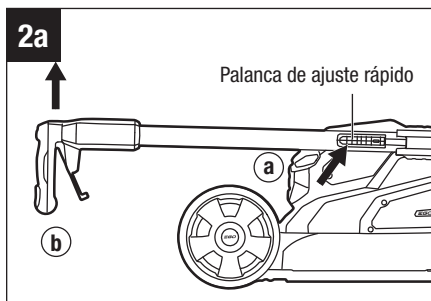
⚠ ADVERTENCIA: Tanto la cuchilla superior como la inferior deben estar instaladas. La cortadora de césped no funcionará solo con una cuchilla instalada.

AJUSTE DE LA AGARRADERA PLEGABLE

⚠ ADVERTENCIA: No intente arrancar la cortadora de césped ni la función de autopropulsión hasta que la agarradera se haya bloqueado en una de las tres posiciones de utilización preestablecidas (POSICIÓN DE UTILIZACIÓN SUPERIOR, POSICIÓN DE UTILIZACIÓN CENTRAL y POSICIÓN DE UTILIZACIÓN INFERIOR).

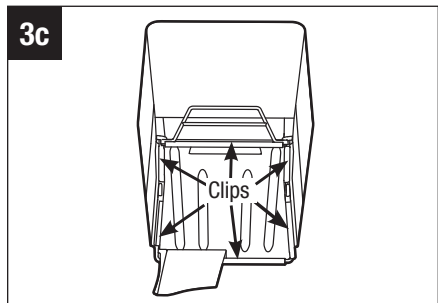
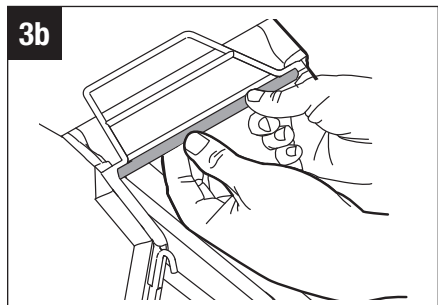
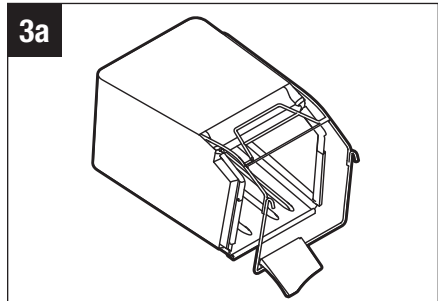
Esta cortadora de césped se envía con la agarradera en la POSICIÓN DE ALMACENAMIENTO BLOQUEADA compacta (Fig. 2a).

1. Presione y mantenga presionada la palanca de ajuste rápido para liberar la agarradera de la POSICIÓN DE ALMACENAMIENTO BLOQUEADA (Fig. 2a).
2. Levante la agarradera para sacarla de su posición plegada y luego suelte la palanca. Pivote suavemente la agarradera hacia arriba hasta que oiga y sienta que el pasador de fijación se acopla en una de las tres posiciones distintas, de la manera que se muestra en la Fig. 2b.



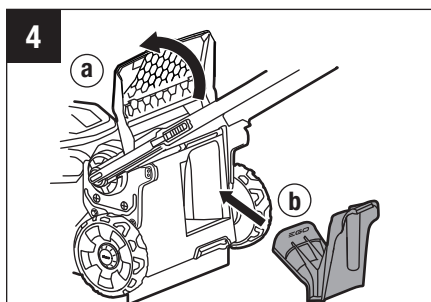
ENSAMBLAJE DE LA BOLSA DE PASTO

1. Compruebe la bolsa de pasto antes de ensamblarla, para asegurarse de que no haya daños.
2. Deslice la bolsa de pasto sobre el armazón, de la manera que se muestra en la Fig. 3a.
3. Ensamble el clip superior en el armazón, de la manera que se muestra en la Fig. 3b, y luego ensamble los dos clips laterales. Ensamble el clip inferior en último lugar.
4. La bolsa de pasto completamente ensamblada se muestra en la Fig. 3c.



INSTALACIÓN/DESINSTALACIÓN DEL INSERTO DE TRITURACIÓN (FIG. 4)

⚠ PELIGRO: La máquina puede lanzar pasto cortado y otros objetos a través de la abertura ubicada en la carcasa de la máquina. Los objetos lanzados con suficiente fuerza les podrían causar lesiones corporales graves o la muerte a usted o a las personas presentes.



No utilice nunca la cortadora de césped sin tener instalados correctamente ya sea el inserto de trituración, la bolsa de pasto o el conducto de descarga lateral.

1. Apague la cortadora de césped.
2. Retire el paquete de batería.
3. Posicione la cortadora de césped sobre una superficie nivelada.
4. Levante la puerta de descarga trasera.
5. Agarre la agarradera del inserto de trituración e insértelo completamente en la cortadora de césped, de manera que esté firmemente asentado.
6. Suelte la puerta de descarga trasera y asegúrese de que descansa firmemente contra el inserto de trituración.
7. Para desinstalar el inserto de trituración, levante la puerta de descarga trasera, agarre la agarradera del inserto de trituración y jálela hacia fuera.
8. Suelte la puerta de descarga trasera.

⚠ ADVERTENCIA: El inserto de trituración se debe retirar cuando se instale la bolsa de pasto o el conducto de descarga lateral. El inserto de trituración se debe reinstalar cuando la bolsa de pasto o el conducto de descarga lateral se haya retirado.

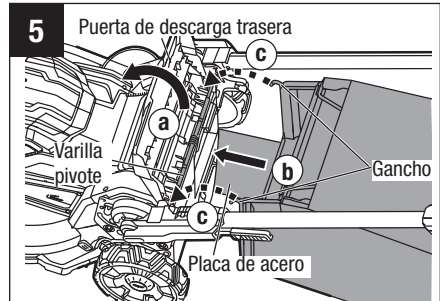
INSTALACIÓN/DESINSTALACIÓN DE LA BOLSA DE PASTO (FIG. 5)

⚠ ADVERTENCIA: Retire el inserto de trituración (instalado en la fábrica) o el conducto de descarga lateral antes de instalar la bolsa de pasto en la cortadora de césped.

1. Apague la cortadora de césped y espere hasta que las cuchillas de corte se detengan por completo.
2. Retire el paquete de batería.
3. Posicione la cortadora de césped sobre una superficie nivelada.
4. Levante la puerta de descarga trasera.
5. **RETIRE EL INSERTO DE TRITURACIÓN (INSTALADO EN LA FÁBRICA)** o el conducto de descarga lateral.
6. Inserte primero la placa de acero de la bolsa de pasto en la cortadora de césped y luego enganche la bolsa de pasto en la varilla pivote. Suelte la puerta de descarga trasera de manera que descance sobre la bolsa de pasto.
7. **Para desinstalar la bolsa de pasto,** levante la puerta de descarga trasera de la cortadora de césped. Levante la bolsa de pasto y sepárela de la varilla pivote.
8. Suelte la puerta de descarga trasera.

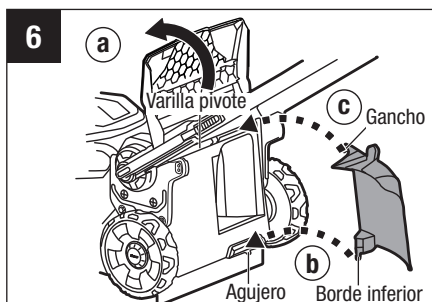
⚠ ADVERTENCIA: Cuando utilice la bolsa de pasto, no utilice nunca la cortadora de césped a menos que los dos ganchos ubicados en la bolsa de pasto estén firmemente asentados sobre la varilla pivote y la puerta de descarga trasera descance firmemente contra la parte superior de la bolsa de pasto.

⚠ ADVERTENCIA: En condiciones de uso normal, el material de la bolsa de pasto está sujeto a desgaste. Para reducir el riesgo de lesiones, inspeccione frecuentemente la bolsa de pasto y reemplace dicha bolsa si hay cualquier señal de desgaste o deterioro. Utilice solo bolsas de pasto fabricadas para esta cortadora de césped.



INSTALACIÓN/DESINSTALACIÓN DEL CONDUCTO DE DESCARGA LATERAL (NO INCLUIDO) (FIG. 6)

1. Apague la cortadora de césped.
2. Retire el paquete de batería.
3. Posicione la cortadora de césped sobre una superficie nivelada.
4. Levante la puerta de descarga trasera.
5. Retire el inserto de trituración (instalado en la fábrica) o la bolsa de pasto.
6. Alinee el borde inferior del conducto de descarga lateral con el agujero del umbral de la puerta e insértelo en el agujero.
7. Enganche la parte superior del conducto de descarga lateral en la varilla pivote. Compruébelo para ver que está firmemente asentado en la posición correcta.
8. Suelte la puerta de descarga trasera y asegúrese de que descance firmemente contra el conducto de descarga lateral.
9. **Para desinstalar el conducto de descarga lateral**, levante la puerta de descarga trasera, levante el conducto de descarga lateral y jálalo hacia fuera.
10. Suelte la puerta de descarga trasera.



⚠ ADVERTENCIA: El accesorio de trituración se debe retirar antes de instalar el conducto de descarga lateral.

AJUSTE DE LA ALTURA DE CORTE (FIG. 7a y 7b)

⚠ ADVERTENCIA: Mantenga los pies alejados de la plataforma cuando ajuste la altura de corte.

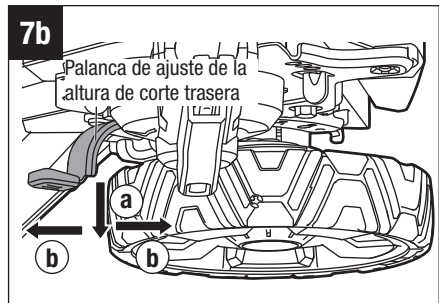
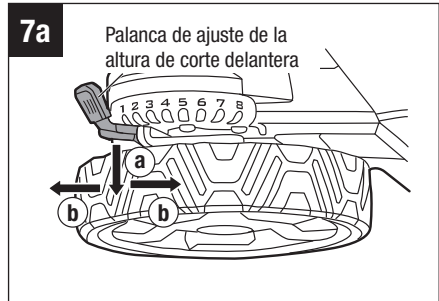
La cortadora de césped se puede ajustar a 8 alturas de corte entre 1 pulgada (25 mm) y 4 pulgadas (105 mm). Una marca indica la altura de corte seleccionada.

Esta cortadora de césped le permite a usted ajustar individualmente la altura de corte de la parte delantera y la parte trasera de la cortadora de césped. Para la mayoría de los usuarios se recomienda mantener las alturas de corte tanto delantera como trasera en un nivel idéntico. Puede que los usuarios más experimentados prefieran un mayor control de la altura de la plataforma para cortes específicos. Por ejemplo, al bajar ligeramente la parte delantera de la cortadora de césped se producirá una succión mayor, lo cual puede ser útil para mejorar el embolsamiento, la descarga lateral y la eliminación de hojas.

Seleccione la altura de corte adecuada de acuerdo con el tipo y el estado del pasto que se vaya a cortar.

1. Apague la cortadora de césped y espere hasta que la cuchilla de corte se detenga por completo.
2. Retire el paquete de batería.
3. Jale la palanca de ajuste de la altura de corte delantera o trasera hacia fuera del retén y ajústela en la posición deseada.

NOTA: Para evitar sobrecargar el motor, evite ajustar la altura de corte a un nivel demasiado bajo en pasto alto. Si la velocidad del motor comienza a disminuir, suba la altura de corte.



UTILIZACIÓN

⚠ ADVERTENCIA: Retire siempre el paquete de batería del producto cuando esté ensamblando piezas, haciendo ajustes o realizando limpieza, o cuando el producto no se esté utilizando. Al retirar el paquete de batería se prevendrán los arranques accidentales que podrían causar lesiones corporales graves.

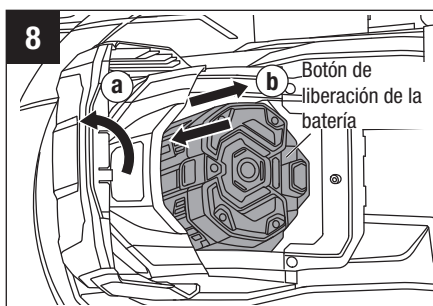
INSTALACIÓN/DESINSTALACIÓN DEL PAQUETE DE BATERÍA (FIG. 8)

NOTA: Cargue el paquete de batería ante del primer uso.

1. Suba la cubierta del compartimiento de la batería levantando la parte trasera de la cubierta.
2. Alinee los surcos ubicados en el paquete de batería con las costillas en relieve ubicadas en el compartimiento de la batería y luego inserte el paquete de batería en el compartimiento.
3. Empuje el paquete de batería hasta que oiga un “clic”. El botón de liberación de la batería subirá por resorte cuando el paquete de batería esté firmemente sujeto.

NOTA: Asegúrese de que el pestillo ubicado en el compartimiento de la batería de la cortadora de césped se acople a presión en la posición correcta y que el paquete de batería esté firmemente sujeto en la cortadora de césped antes de comenzar su utilización.

4. Para desinstalar el paquete de batería, presione el botón de liberación de la batería para liberar el paquete de batería y luego levante dicho paquete hacia fuera del compartimiento de la batería.
5. Cierre la cubierta del compartimiento de la batería.



SELECCIÓN DEL MODO DE VELOCIDAD DE LAS CUCHILLAS (FIG. 9)

Seleccione el modo de velocidad de las cuchillas

La cortadora de césped cuenta con tres modos de velocidad de las cuchillas:

- El **modo TURBO** es el modo de velocidad alta de las cuchillas para ofrecer un rendimiento de alta elevación con el fin de mejorar la fuerza de succión o el rendimiento de corte.
- El **modo 2** es el mejor equilibrio entre rendimiento y tiempo de funcionamiento.
- El **modo 1** proporciona el nivel de ruido más bajo y el tiempo de funcionamiento más prolongado del paquete de batería.

NOTA: Una velocidad más alta de la cuchilla afectará significativamente al tiempo de funcionamiento.

Seleccione entre el modo **TURBO, 2** o **1** presionando secuencialmente el botón de modo de velocidad de las cuchillas.

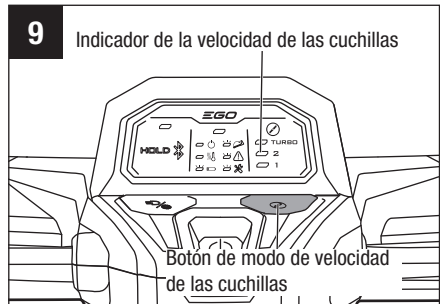
NOTA: El modo de velocidad de las cuchillas preestablecido es el modo 2.

TECNOLOGÍA INALÁMBRICA BLUETOOTH®

Los productos con tecnología inalámbrica Bluetooth® incorporada se pueden conectar a dispositivos móviles.

Para instalar la app EGO Connect™

1. Descargue la app EGO Connect™ en su dispositivo móvil.
2. Cree una cuenta nueva en la app EGO Connect™. Si ya tiene una cuenta, vaya al paso 4.
3. Se enviará un correo electrónico a la dirección de correo electrónico registrada. Siga las instrucciones incluidas en el correo electrónico para validar su cuenta.
4. Inicie sesión en su cuenta EGO en la app EGO Connect™.



Para emparejar EGO Connect™ y el producto

Presione el botón de Bluetooth® durante 5 segundos y luego espere a que el producto se conecte. El indicador de Bluetooth® parpadeará en azul durante el emparejamiento.

El indicador de Bluetooth® se iluminará en azul continuo cuando el producto esté conectado a su dispositivo móvil.

Siga las instrucciones de la app EGO Connect™.

ARRANQUE/PARADA DE LA CORTADORA DE CÉSPED

⚠ ADVERTENCIA: La utilización de cualquier cortadora de césped puede hacer que se lancen objetos extraños hacia los ojos del operador o de otras personas, lo cual puede dañar gravemente los ojos. Use siempre anteojos de seguridad mientras esté utilizando la cortadora de césped o mientras realice cualquier ajuste o reparación en la misma.

⚠ ADVERTENCIA: Asegúrese de que otras personas y los animales domésticos permanezcan al menos a 100 pies (30 m) de distancia de la cortadora de césped cuando se esté utilizando.

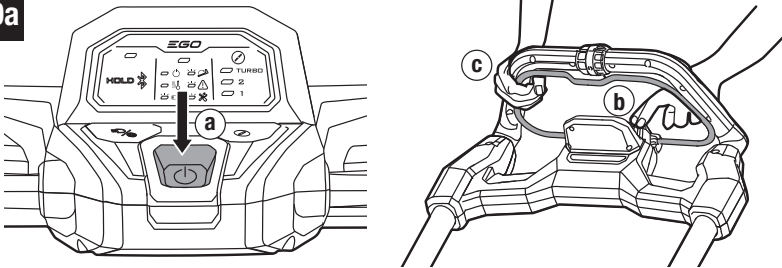
AVISO: La cuchilla continuará rotando durante unos segundos después de apagar la cortadora de césped. Espere a que el motor/la cuchilla deje de rotar antes de arrancar de nuevo la máquina. No apague y encienda rápidamente la cortadora de césped.

⚠ PRECAUCIÓN: No intente anular el funcionamiento del botón de alimentación y del interruptor tipo agarradera.

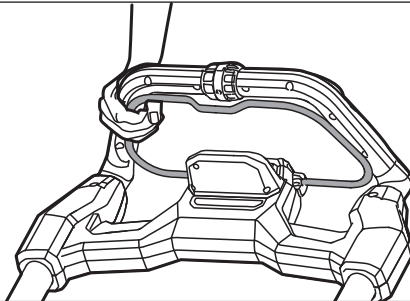
Para arrancar la cortadora de césped (Fig. 10a y 10b)

1. Instale el paquete de batería en la cortadora de césped y cierre la cubierta del compartimiento de la batería.
2. Presione el botón de alimentación para iluminar el panel de control y el indicador de estado de la cortadora de césped junto con el indicador de velocidad de las cuchillas para el **modo 2** se iluminarán.
3. Presione el botón de modo de velocidad de las cuchillas para seleccionar la velocidad deseada. Consulte la sección **“Seleccione el modo de velocidad de las cuchillas”** de este manual.
4. Presione y mantenga presionado el botón de alimentación.
5. Con el botón de alimentación presionado, apriete el interruptor tipo agarradera para que llegue a la agarradera. La cortadora de césped arrancará,
6. Suelte el botón de alimentación.

10a

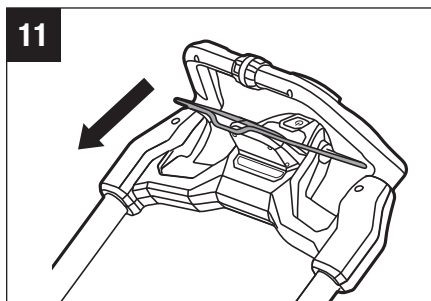


10b



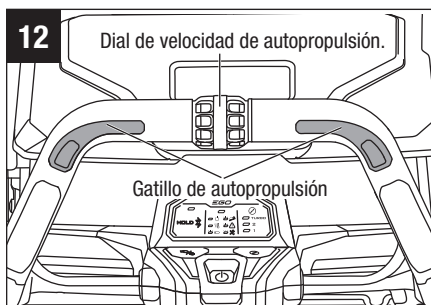
Para detener la cortadora de césped (Fig. 11)

1. Suelte completamente el interruptor tipo agarradera.
2. El freno eléctrico del mecanismo de frenado automático detendrá la rotación de las cuchillas dentro del plazo de 3 segundos después de soltar el gatillo de rotación de las cuchillas.



SISTEMA DE AUTOPROPULSIÓN DE VELOCIDAD VARIABLE (FIG. 12)

La cortadora de césped está equipada con capacidad de autopropulsión de velocidad variable. Para aumentar la velocidad, rote hacia delante el dial de velocidad de autopropulsión. Para reducir la velocidad, rote hacia atrás el dial de velocidad de autopropulsión.



AVISO: La función de autopropulsión estará desactivada (APAGADA) cuando el dial de control de la velocidad de autopropulsión se rote hacia atrás hasta la posición más baja.

CUANDO LA CORTADORA DE CÉSPED SE ENVÍA, EL DIAL DE VELOCIDAD ESTÁ AJUSTADO EN LA FÁBRICA EN LA POSICIÓN MÁS ABAJA (APAGADO). Antes de arrancar la función de autopropulsión por primera vez, rote ligeramente hacia delante el dial de velocidad de autopropulsión.

Este sistema de autopropulsión es independiente de la rotación de las cuchillas. Por ejemplo, cuando haya terminado de cortar el césped, puede utilizar la autopropulsión para propulsar la cortadora de césped de vuelta a su ubicación de almacenamiento sin rotación de las cuchillas. O puede optar por utilizar la cortadora de césped como una cortadora de césped de empuje manual para maximizar el tiempo de funcionamiento de las baterías.

Para utilizar el sistema de autopropulsión sin rotación de las cuchillas

Rote ligeramente hacia delante el dial de velocidad de autopropulsión hasta que se pueda oír un clic y luego presione el gatillo (los gatillos) de autopropulsión. Hay dos

gatillos de autopropulsión, presione cualquiera de ellos para iniciar la función de autopropulsión.

Para apagar la autopropulsión, suelte el gatillo de autopropulsión.

Para utilizar el sistema de autopropulsión con rotación de las cuchillas

1. Presione el botón de alimentación para iluminar el panel de control.
2. Presione el botón de modo de velocidad de las cuchillas para seleccionar la velocidad deseada.
3. Presione el botón de alimentación.
4. Con el botón de alimentación presionado, jale el interruptor tipo agarradera contra la agarradera para arrancar la cortadora de césped y luego suelte el botón de alimentación.
5. Sostenga el interruptor tipo agarradera contra la agarradera con cualquiera de las dos manos. Presione cualquiera de los dos gatillos de autopropulsión para iniciar la función de autopropulsión.
6. Con una mano sosteniendo tanto el interruptor tipo agarradera como el gatillo de autopropulsión contra la agarradera, use la otra mano para ajustar el dial de control de la velocidad de autopropulsión para seleccionar la velocidad deseada.

AVISO: Cuando apague la autopropulsión, por ejemplo, al final de una hilera, es posible que se bloquee temporalmente si usted jala hacia atrás la cortadora de césped. Simplemente empuje ligeramente hacia delante la cortadora de césped y luego mueva la cortadora de césped según se requiera.

AVISO: Es posible que a veces sea más fácil cortar el césped alrededor de un objeto con la autopropulsión apagada.

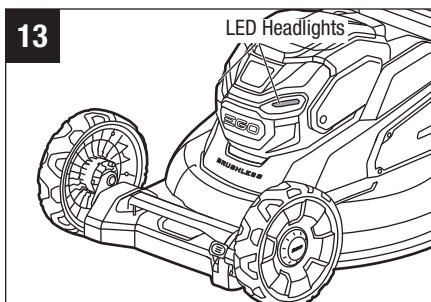
⚠ ADVERTENCIA: Para reducir el riesgo de lesiones, no intente nunca anular el funcionamiento del interruptor tipo agarradera o el sistema de autopropulsión. Utilice el sistema de autopropulsión solo para su propósito previsto.

LUCES DELANTERAS LED (FIG. 13)

Las luces delanteras LED están ubicadas en la parte delantera del compartimiento de la batería (Fig. 13).

Para encender las luces delanteras, presione el botón de las luces delanteras LED. Las luces delanteras proporcionan una iluminación brillante en la parte delantera de la cortadora de césped.



Para apagar las luces delanteras, presione de nuevo el botón.



INDICADORES DE ESTADO DE LA CORTADORA DE CÉSPED (Fig. 1b)

El indicador de estado de la cortadora de césped ubicado en el panel de control muestra el estado de trabajo de la cortadora de césped.

Indicador	Descripción	Significado	Acción
	Verde continuo	La cortadora de césped está funcionando correctamente.	No se requiere ninguna.
	Verde parpadeante	La agarradera no está bloqueada en la posición de utilización.	Pare la cortadora de césped y asegúrese de que la agarradera esté bloqueada en una de las tres posiciones de utilización.
	Rojo parpadeante	Carga baja de la batería.	Pare la cortadora de césped y cargue el paquete de batería.
	Naranja continuo	La cortadora de césped está sobrecalentada.	Suelte el interruptor tipo agarradera y espere hasta que la temperatura de la cortadora de césped descienda por debajo de 176 °F (80 °C). Consulte " PROTECCIÓN CONTRA ALTAS TEMPERATURAS DE LA CORTADORA DE CÉSPED " más adelante.

Indicador	Descripción	Significado	Acción
	Naranja parpadeante	La cortadora de césped está sobrecargada.	<ol style="list-style-type: none"> 1. Retire el paquete de batería y luego compruebe si se ha acumulado pasto debajo de la plataforma. Elimine el pasto si es necesario. 2. Reduzca el ritmo cuando corte. 3. Suba la altura de corte. 4. Si las soluciones que anteceden no funcionan, sírvase contactar a Servicio al Cliente de EGO. <p>Consulte "PROTECCIÓN CONTRA SOBRECARGAS DE LA CORTADORA DE CÉSPED" más adelante.</p>
	Rojo/verde parpadeante alternadamente	Error del sistema electrónico de la cortadora de césped.	Contacte a Servicio al Cliente de EGO.

PROTECCIÓN CONTRA ALTAS TEMPERATURAS DE LA CORTADORA DE CÉSPED

Si la temperatura de la cortadora de césped excede 194 °F (90 °C) durante su utilización, el circuito de protección contra altas temperaturas apagará inmediatamente la cortadora de césped para prevenir daños por sobrecalentamiento.

El indicador de estado de la cortadora de césped se iluminará en naranja continuo. Suelte el gatillo de rotación de las cuchillas, espere hasta que la cortadora de césped sobrecalentada se enfríe y el indicador de estado se ponga verde, y luego rearranque la cortadora de césped.

PROTECCIÓN CONTRA SOBRECARGAS DE LA CORTADORA DE CÉSPED

Para prevenir condiciones de sobrecarga, no intente retirar demasiado pasto al mismo tiempo. Reduzca el ritmo o suba la altura de corte.

Esta cortadora de césped tiene protección de circuito contra sobrecargas incorporada. Cuando la cortadora de césped esté sobrecargada, el motor se detendrá y el indicador de estado de la cortadora de césped ubicado en el panel de control parpadeará en naranja.

CONSEJOS PARA CORTAR EL CÉSPED

AVISO: Una cuchilla afilada aumentará enormemente el rendimiento de la cortadora de césped, especialmente cuando corte pasto alto. Asegúrese de comprobar si la cuchilla está afilada antes de cortar el césped.

- Verifique que el césped esté libre de piedras, palos, alambres y otros objetos que podrían dañar la cortadora de césped o el motor. Dichos objetos podrían ser lanzados accidentalmente al aire por la cortadora de césped en cualquier dirección y podrían causar lesiones corporales graves al operador y a otras personas.

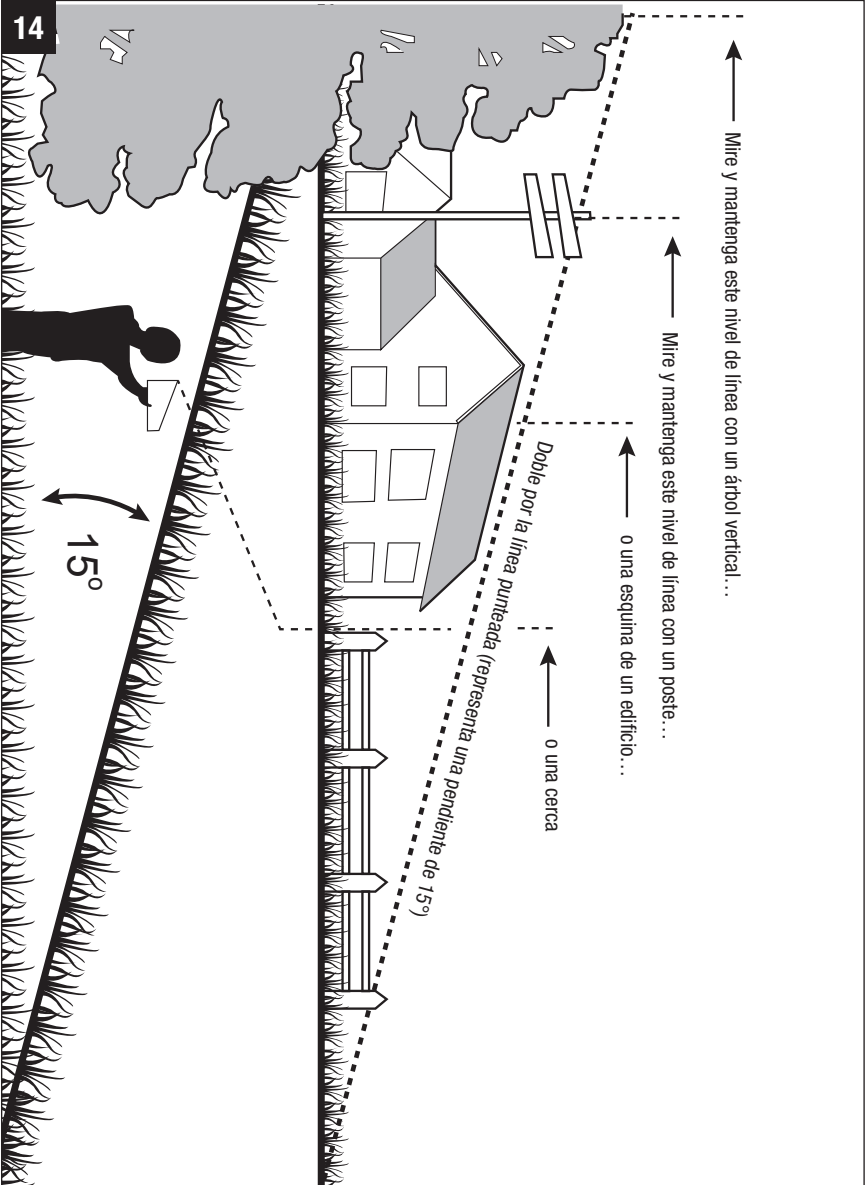
⚠ ADVERTENCIA: Si golpea un objeto extraño, pare el motor y retire la batería. Inspeccione minuciosamente la cortadora de césped para determinar si tiene algún daño y repare el daño antes de rearrancar y utilizar la cortadora de césped. Una vibración excesiva de la cortadora de césped durante su utilización es una indicación de daños. La unidad deberá ser inspeccionada y reparada de inmediato.

- Para obtener los mejores resultados, no corte el césped en círculos. Desplácese hacia detrás y hacia delante por el césped.
- Cuando corte pasto grueso, reduzca la velocidad a la que camina para permitir un corte más efectivo y una descarga adecuada del pasto cortado.
- Para mantener un césped saludable, corte solo un tercio o menos de la longitud total del pasto. El césped promedio debería tener aproximadamente de 1-1/2 a 2 pulgadas (38 a 53 mm) de longitud durante los meses fríos y entre 2 y 3-1/4 pulgadas (53 y 83 mm) de longitud durante los meses calurosos.

CALIBRE DE PENDIENTES (FIG. 14)

⚠ ADVERTENCIA: No corte el césped en una pendiente que tenga un ángulo de más de 15° (una subida de aproximadamente 2-1/2 pies (0,75 m) cada 10 pies [3 m]). Corte el césped transversalmente a la cara de una pendiente y nunca hacia arriba y hacia abajo.

Utilice la Fig. 14 como guía para identificar las pendientes en las que no se puede cortar el césped de manera segura.



CONSEJOS PARA TRITURAR

⚠ ADVERTENCIA: Inspeccione el área donde se va a utilizar la cortadora de césped y retire todas las piedras, palos, alambres y otros residuos que podrían ser lanzados al aire por la cuchilla que rota.

- Suelte el gatillo de rotación de las cuchillas para apagar la cortadora de césped cuando cruce cualquier área con grava; las piedras pueden ser lanzadas al aire por las cuchillas que rotan.
- Ajuste la cortadora de césped a la altura de corte máxima cuando corte el césped en terreno desigual o en pasto alto.
- Para triturar de manera efectiva, no corte pasto mojado; dicho pasto tiende a pegarse a la parte inferior de la plataforma, con lo cual previene la trituración adecuada del pasto cortado. El mejor momento para cortar el pasto es a última hora de la tarde, cuando el pasto está seco y el área recién cortada no estará expuesta a la luz solar directa.
- Para obtener el mejor rendimiento de trituración, ajuste la altura de corte para retirar aproximadamente un tercio de la longitud de las briznas de pasto, idealmente no más de 1-1/2 pulgadas (38 mm) a la vez. Si el pasto ha crecido demasiado, es posible que sea necesario aumentar la altura de corte para facilitar el corte de césped y prevenir la sobrecarga del motor. Reduzca el ritmo de corte en condiciones de pasto alto o grueso. Para triturar pasto sumamente grueso o alto, es aconsejable cortar primero usando un ajuste de la altura de corte grande y luego cortar de nuevo hasta la altura de corte final. De lo contrario, haga cortes más estrechos y más lentamente. **ASEGÚRESE SIEMPRE DE QUE LAS CUCHILLAS ESTÉN AFILADAS.**

MANTENIMIENTO

⚠ ADVERTENCIA: Para evitar lesiones corporales graves, retire siempre el paquete de batería de la cortadora de césped antes de realizar limpieza o efectuar cualquier mantenimiento.

⚠ ADVERTENCIA: Cuando haga servicio de ajustes y reparaciones, utilice solo piezas de repuesto idénticas. Es posible que el uso de cualquier otra pieza cree un peligro o cause daños al producto. Para garantizar la seguridad y la confiabilidad, todas las reparaciones deberán ser realizadas por un técnico de servicio calificado

LIMPIEZA DE LA CORTADORA DE CÉSPED

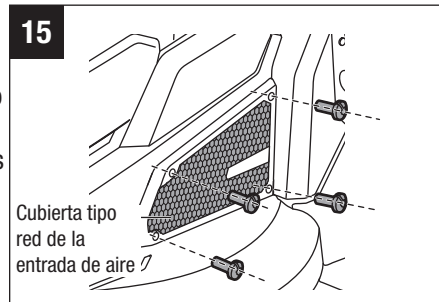
⚠ ADVERTENCIA: Retire siempre el paquete de batería de la cortadora de césped cuando realice limpieza o efectúe cualquier mantenimiento.

La parte inferior de la plataforma de la cortadora de césped se deberá limpiar después de cada uso, ya que se acumularán pasto cortado, hojas, suciedad y otros residuos. Esta acumulación es indeseable; promoverá la oxidación y la corrosión.

Retire cualquier acumulación de pasto y hojas que se encuentre en o alrededor del eje de transmisión y del ventilador del motor (no use agua). Limpie la cortadora de césped con un paño húmedo.

Limpieza de la entrada de aire

1. Utilice un destornillador Torx T25 o un destornillador de cabeza plana (no incluidos) para retirar la cubierta tipo red de la entrada de aire retirando los cuatro tornillos, de la manera que se muestra en la Fig. 15.
2. Limpie el interior de la entrada de aire y la cubierta tipo red con aire comprimido.



⚠ ADVERTENCIA: Use siempre anteojos de seguridad cuando limpie la entrada de aire con aire comprimido.

⚠ ADVERTENCIA: La entrada de aire se debe mantener limpia y libre de objetos extraños.

REEMPLAZO DE LAS CUCHILLAS

⚠️ ADVERTENCIA: Protéjase siempre las manos usando guantes gruesos o envolviendo los bordes de corte con trapos u otros materiales cuando realice cualquier mantenimiento en las cuchillas de la cortadora de césped. Retire siempre el paquete de batería cuando haga servicio de ajustes y reparaciones o transporte la cortadora de césped.

AVISO: Se requieren las siguientes herramientas (no incluidas) para reemplazar las cuchillas:

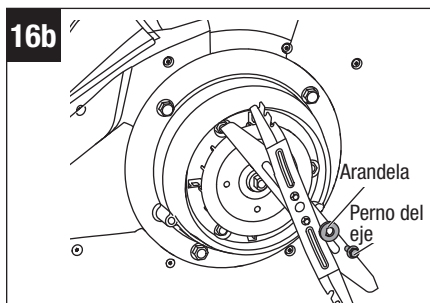
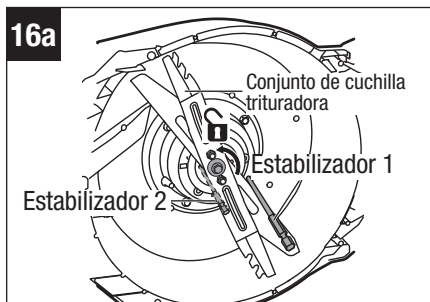
- Llave de tuerca ajustable de 9/16 de pulgada (14 mm) (se recomienda una llave de impacto con una bocallave de 9/16 de pulgada [14 mm])
- Llave de torsión de 9/16 de pulgada (14 mm)
- Destornillador manual o varilla metálica con un diámetro de 5/16 de pulgada (8 mm) o menos
- Destornillador manual o varilla metálica con un diámetro de 1/4 de pulgada (6,35 mm) o menos

Reemplazo del conjunto de cuchilla

Para retirar el conjunto de cuchilla

En la Fig. 16a se muestra el conjunto de cuchilla trituradora.

1. Pare el motor y retire el paquete de batería y la bolsa de pasto de la cortadora de césped.
2. Voltee la cortadora de césped sobre uno de sus lados.
3. Inserte una varilla metálica (estabilizador 1) de 5/16 de pulgada (8 mm) de \varnothing o menos en el agujero del estabilizador para impedir que la cuchilla rote al aflojar el perno del eje.
4. Utilice la llave de tuerca de 9/16 de pulgada (14 mm) para girar el perno del eje EN SENTIDO CONTRARIO AL DE LAS AGUJAS DEL RELOJ para aflojar y retirar el perno del eje (Fig. 16a).



AVISO: Si el perno rota con el eje del motor al aflojar el perno, coloque otra varilla metálica con un diámetro de menos de 1/4 de pulgada (6,35 mm) en el agujero ubicado en el ventilador para que actúe como estabilizador 2.

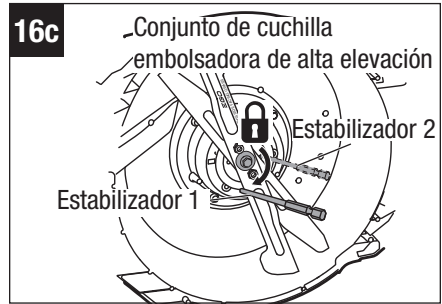
5. Retire la brida arandela y el conjunto de cuchilla (Fig. 16b).
6. Deje el ventilador en el eje del motor.

Para reemplazar el conjunto de cuchilla (no incluido)

En la Fig. 16c se muestra el conjunto de cuchilla embolsadora de alta elevación.

AVISO: Para reinstalar o reemplazar el conjunto de cuchilla, asegúrese de reinstalar las piezas en el orden exacto en que se retiraron.

7. Posicione el conjunto de cuchilla sobre la brida interna del ventilador con la superficie marcada con las palabras “**THIS SIDE FACING GRASS**” (**ESTE LADO ORIENTADO HACIA EL PASTO**) orientadas hacia fuera.



8. Alinee la arandela con el eje del motor y realice el ensamblaje en la posición correcta.
9. Monte el perno del eje en el eje y apriete el perno con los dedos EN EL SENTIDO DE LAS AGUJAS DEL RELOJ.
10. Inserte la varilla metálica (estabilizador 1) como ayuda, de la manera que se muestra en la Fig. 16c.
11. Utilice la llave de torsión de 9/16 de pulgada (14 mm) para apretar el perno del eje EN EL SENTIDO DE LAS AGUJAS DEL RELOJ. La fuerza de torsión recomendada para el perno del conjunto de cuchilla es de 36-43 pies-lb (50-60 Nm).

AVISO: Si el perno del eje rota con el eje del motor al apretar el perno, coloque otra varilla metálica pequeña para que actúe como estabilizador 2.

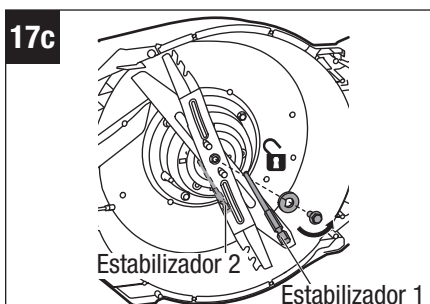
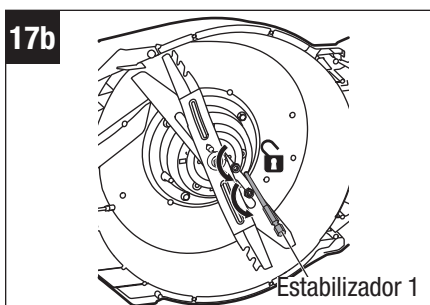
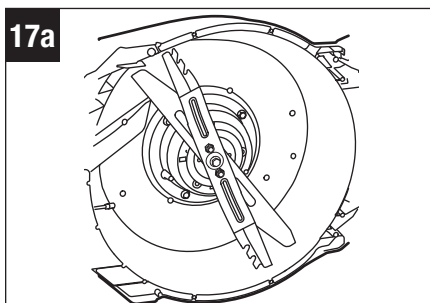
Reemplazo de las cuchillas por separado

Para retirar las cuchillas

1. Pare el motor; retire el paquete de batería de la cortadora de césped.
2. Voltee la cortadora de césped sobre uno de sus lados (Fig. 17a).
3. Use guantes protectores. Inserte la varilla metálica con un diámetro de 5/16 de pulgada (8 mm) en el agujero del estabilizador (estabilizador 1) para bloquear las cuchillas. Utilice una llave de tuerca de 9/16 de pulgada (14 mm) para aflojar y retirar las dos tuercas (Fig. 17b). **GUARDE LAS DOS TUERCAS PARA REENSAMBLAR LAS CUCHILLAS MÁS TARDE.**
4. Utilice la llave de tuerca para aflojar y retirar el perno del eje y la arandela (Fig. 17c).

AVISO: Si el perno del eje rota con el eje del motor durante el aflojamiento, coloque otra varilla metálica con un diámetro inferior a 1/4 de pulgada (6,35 mm) en el agujero más pequeño del ventilador para que actúe como estabilizador 2.

5. Retire la cuchilla trituradora inferior y la cuchilla trituradora superior del eje del motor (Fig. 17d). Retire los dos pernos de la cuchilla superior. **GUARDE LOS DOS PERNOS PARA REENSAMBLAR LAS CUCHILLAS MÁS TARDE.**
6. Deje el ventilador en el eje del motor. Asegúrese de que la paleta del ventilador esté orientada hacia la plataforma (Fig. 17e).



Para instalar las cuchillas

AVISO: Para reinstalar o reemplazar la cuchilla (las cuchillas), asegúrese de ensamblar las piezas en el orden exacto en el que se retiraron, asegurándose especialmente de que el enunciado **"THIS SIDE FACING GRASS" (ESTE LADO ORIENTADO HACIA EL PASTO)** ubicado en la cuchilla superior y en la cuchilla inferior esté orientado hacia fuera.

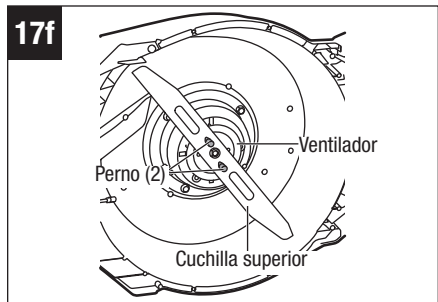
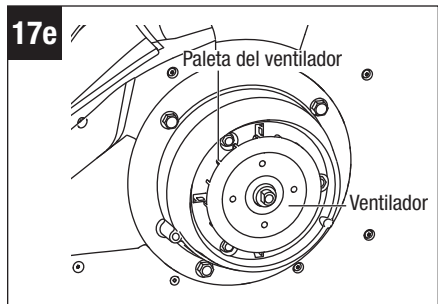
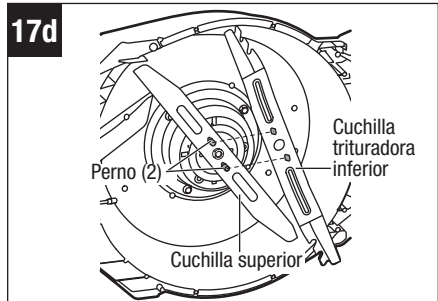
7. Use guantes protectores.
8. Inserte los dos pernos en la cuchilla superior desde el lado trasero que dice **"THIS SIDE FACING GRASS" (ESTE LADO ORIENTADO HACIA EL PASTO)** y luego posicione la cuchilla superior en el eje del motor (Fig. 17f).

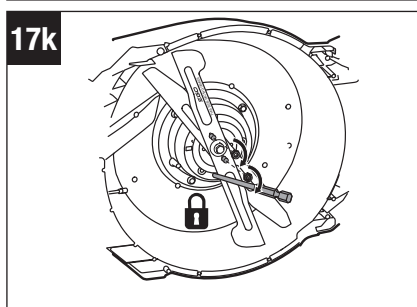
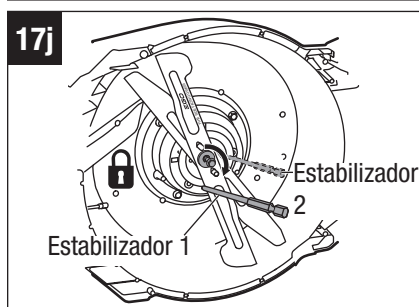
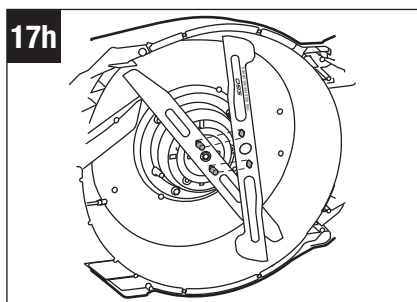
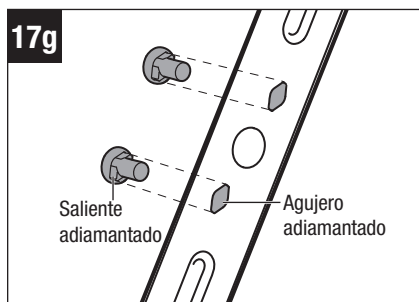
AVISO: El saliente adiamantado ubicado en los pernos deberá estar alineado con el agujero adiamantado ubicado en la cuchilla superior (Fig. 17g).

9. Dependiendo de su preferencia, monte la cuchilla inferior seleccionada en el eje del motor (consulte el capítulo **"SISTEMA DE CORTE SELECT CUT™"** de este manual). En la Fig. 17h se ilustra el montaje de la cuchilla embolsadora inferior de alta elevación (no incluido).

AVISO: El agujero adiamantado ubicado en la cuchilla inferior deberá encajar en el saliente adiamantado ubicado en los pernos.

10. Inserte la varilla metálica para bloquear las cuchillas, instale la arandela y el perno del eje en el eje del motor y apriete el perno del eje con los dedos **EN EL SENTIDO DE LAS AGUJAS DEL RELOJ**. Apriete el perno del eje hasta 36-43 pies-lb (50-60 Nm) (Fig. 17j).





AVISO: Si el perno del eje rota con el eje del motor durante el apriete, coloque otra varilla metálica en el agujero más pequeño del ventilador para que actúe como estabilizador 2.

11. Instale las dos tuercas en los pernos y apriételas con los dedos EN EL SENTIDO DE LAS AGUJAS DEL RELOJ. Apriete las dos tuercas hasta 22 pies-lb (30 Nm) (Fig. 17k).

AFILADO DE LAS CUCHILLAS

⚠ ADVERTENCIA: Protéjase siempre las manos usando guantes gruesos o envolviendo los bordes de corte con trapos u otros materiales cuando realice cualquier mantenimiento en las cuchillas de la cortadora de césped. Retire siempre el paquete de batería cuando haga servicio de ajustes y reparaciones o transporte la cortadora de césped.

⚠ ADVERTENCIA: Use protección ocular adecuada mientras retira, afila e instala las cuchillas.

⚠ ADVERTENCIA: Una cuchilla desgastada, agrietada o dañada puede romperse y los pedazos de la cuchilla dañada se pueden convertir en proyectiles peligrosos. Los

objetos lanzados al aire pueden causar lesiones graves. Inspeccione periódicamente la cuchilla y no utilice la cortadora de césped con una cuchilla desgastada o dañada.

AVISO: Mantenga afilada la cuchilla para obtener el mejor rendimiento de la cortadora de césped. Una cuchilla desafilada no corta el pasto limpiamente ni tritura adecuadamente.

Una cuchilla desafilada se puede afilar, pero una cuchilla que esté excesivamente desgastada, doblada, agrietada o dañada de alguna otra manera debe ser reemplazada. Una cuchilla desgastada o dañada se puede romper, haciendo que los pedazos de la cuchilla sean lanzados al aire desde la cortadora de césped.

Si se comprueba que la cuchilla está doblada, lleve la cortadora de césped a un centro de servicio EGO autorizado para inspección.

Frecuencia de afilado

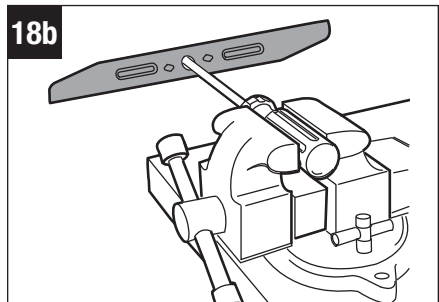
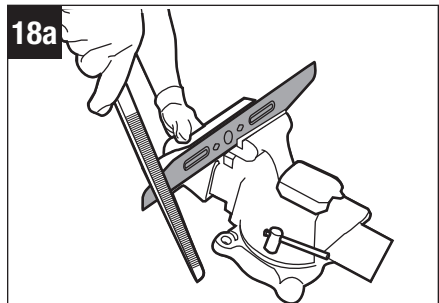
Afilar la cuchilla dos veces durante una temporada de corte de césped es habitualmente suficiente en circunstancias normales. La arena hace que la cuchilla se desafilé rápidamente; si su césped tiene terreno arenoso, es posible que se requiera un afilado más frecuente.

Cuando afile la cuchilla:

- Asegúrese de que la cuchilla permanezca equilibrada.
- Afile la cuchilla con el ángulo de corte original.
- Afile los bordes de corte en ambos extremos de la cuchilla, retirando una cantidad de material igual de cada extremo.

Para afilar una cuchilla en una prensa de tornillo:

1. Retire la cuchilla de la cortadora de césped.



2. Fije la cuchilla en una prensa de tornillo (Fig. 18a).
3. Use protección ocular adecuada y guantes adecuados, y tenga cuidado de no cortarse.
4. Lime cuidadosamente los bordes de corte de la cuchilla con una lima de dientes finos o una piedra de afilar, manteniendo el ángulo del borde de corte original.
5. Para comprobar el equilibrio de la cuchilla: sujete con abrazaderas un clavo o un destornillador con vástago redondo en posición horizontal. Posicione la cuchilla de manera que el clavo o el vástago redondo del destornillador soporte la cuchilla a través de su agujero central. Equilibre la cuchilla horizontalmente. Si cualquiera de los extremos de la cuchilla rota hacia abajo, elimine un poco de metal del extremo pesado o inferior hasta que la cuchilla esté equilibrada. La cuchilla está equilibrada cuando ninguno de los extremos desciende (Fig. 18b).
6. Reinstale la cuchilla en la cortadora de césped y apríetela firmemente.

⚠ ADVERTENCIA: Una cuchilla desequilibrada causará vibración excesiva cuando rote a altas velocidades. Es posible que cause daños a la cortadora de césped y se podría romper, causando lesiones corporales.

LUBRICACIÓN DE LA CORTADORA DE CÉSPED

Todos los cojinetes de este producto están lubricados con una cantidad suficiente de lubricante de alta calidad para la vida útil de la unidad en condiciones de utilización normales. Por lo tanto, no se requiere lubricación adicional de los cojinetes.

ALMACENAMIENTO DE LA CORTADORA DE CÉSPED

Se deberán seguir los siguientes pasos para preparar la cortadora de césped para su almacenamiento:

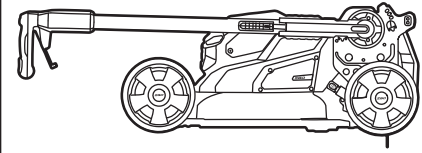
1. Retire el paquete de batería de la cortadora de césped y almacénelo a temperatura ambiente en un lugar seco.
2. Limpie la cortadora de césped tal como se describe anteriormente en la sección **“MANTENIMIENTO”**.
3. Inspeccione la cuchilla y reemplácela o afílela, en caso de que se requiera.
4. Almacene la cortadora de césped en un lugar limpio y seco. No la almacene cerca de materiales corrosivos, tales como fertilizante o sal de roca.
5. Almacene la cortadora de césped en un espacio cubierto y cerrado que esté fresco y seco, y fuera del alcance de los niños.

6. No cubra la cortadora de césped con una lámina de plástico macizo. Las cubiertas de plástico atrapan la humedad alrededor de la cortadora de césped, lo cual causa oxidación y corrosión.

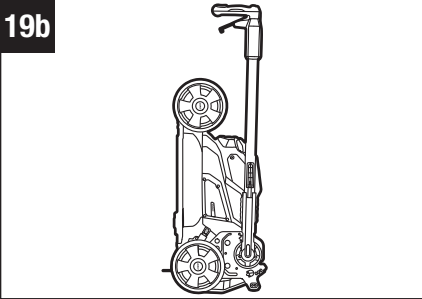
La agarradera se puede plegar con fines de almacenamiento:

1. Retire la bolsa de pasto.
2. Ajuste las palancas de ajuste de la altura de corte delantera/trasera a la altura correspondiente a la posición más baja.
3. Pliegue hacia abajo la agarradera hasta la posición de almacenamiento bloqueada. Consulte la sección “**AJUSTE DE LA AGARRADERA PLEGABLE**” de este manual.
4. Almacene la cortadora de césped en posición plana (recomendada) o en posición vertical (Fig. 19a y 19b).

19a



19b



⚠ ADVERTENCIA: Si la cortadora de césped se inclina desde la posición vertical, es posible que el resultado sea daños a la cortadora de césped o lesiones corporales. Mantenga siempre la cortadora de césped estable y fuera del alcance de los niños cuando esté en posición vertical. Si es posible, póngala en posición plana para su almacenamiento.

RESOLUCIÓN DE PROBLEMAS

PROBLEMA	CAUSA	SOLUCIÓN
La cortadora de césped o el sistema de autopropulsión no arranca.	<ul style="list-style-type: none"> La carga del paquete de batería está agotada. 	<ul style="list-style-type: none"> Cargue el paquete de batería.
	<ul style="list-style-type: none"> El paquete de batería no está insertado adecuadamente en el compartimiento de la batería. 	<ul style="list-style-type: none"> Inserte el paquete de batería en el compartimiento de la batería hasta que oiga un "clic".
	<ul style="list-style-type: none"> La agarradera no está bloqueada en un posición de utilización y el indicador de estado de la cortadora de césped parpadea en verde. 	<ul style="list-style-type: none"> Pare la cortadora de césped y asegúrese de que la agarradera esté bloqueada en una de las tres posiciones de utilización.
	<ul style="list-style-type: none"> La plataforma de la cortadora de césped está obstruida con pasto y residuos. 	<ul style="list-style-type: none"> Limpie la plataforma de la cortadora de césped y asegúrese de que la cuchilla tenga libertad de movimiento
	<ul style="list-style-type: none"> El dial de velocidad de autopropulsión está en la posición más baja (APAGADO). 	<ul style="list-style-type: none"> Rote ligeramente hacia delante el dial de velocidad de autopropulsión y luego presione el gatillo de autopropulsión.
La cortadora de césped corta de desigualmente.	<ul style="list-style-type: none"> La cuchilla está desafilada. 	<ul style="list-style-type: none"> Afile o reemplace la cuchilla.
	<ul style="list-style-type: none"> La altura de corte del pasto no está ajustada correctamente. 	<ul style="list-style-type: none"> Mueva la altura de la plataforma a un ajuste más alto.
	<ul style="list-style-type: none"> La cuchilla está instalada incorrectamente. 	<ul style="list-style-type: none"> Reinstale la cuchilla, siguiendo la sección "INSTALACIÓN DE LAS CUCHILLAS" de este manual.
	<ul style="list-style-type: none"> El modo de velocidad de las cuchillas no está ajustado correctamente. 	<ul style="list-style-type: none"> Seleccione una velocidad correcta de las cuchillas.

PROBLEMA	CAUSA	SOLUCIÓN
<p>Tiempo de funcionamiento corto de la cortadora de césped con la batería incluida.</p>	<ul style="list-style-type: none"> ■ Las condiciones del pasto y el ajuste de la altura de corte afectarán enormemente al tiempo de funcionamiento de la batería. El tiempo de funcionamiento indicado se basa en una situación de carga ligera. 	<ul style="list-style-type: none"> ■ Suba la altura de las cuchillas y disminuya el ritmo de corte para reducir la carga de corte.
	<ul style="list-style-type: none"> ■ El modo de velocidad de las cuchillas no está ajustado correctamente. 	<ul style="list-style-type: none"> ■ Seleccione un modo de velocidad de las cuchillas más bajo.
<p>Las cortadora de césped no tritura correctamente.</p>	<ul style="list-style-type: none"> ■ El pasto cortado mojado se está pegando a la parte inferior de la plataforma. 	<ul style="list-style-type: none"> ■ Espere hasta que el pasto se seque antes de cortarlo.
	<ul style="list-style-type: none"> ■ La cortadora de césped está configurada para cortar demasiado pasto a la vez. 	<ul style="list-style-type: none"> ■ Suba la plataforma hasta un ajuste de la altura de corte mayor.
	<ul style="list-style-type: none"> ■ El modo de velocidad de las cuchillas no está ajustado correctamente. 	<ul style="list-style-type: none"> ■ Seleccione el modo de velocidad de las cuchillas 2 o 1.

PROBLEMA	CAUSA	SOLUCIÓN
<p>La cortadora de césped se detiene inesperadamente mientras está cortando.</p>	<ul style="list-style-type: none"> ■ La carga del paquete de batería está agotada. 	<ul style="list-style-type: none"> ■ Cargue el paquete de batería.
	<ul style="list-style-type: none"> ■ La cortadora de césped está sobrecargada y el indicador de estado de la cortadora de césped parpadea en naranja. 	<ul style="list-style-type: none"> ■ Compruebe si se ha acumulado pasto debajo de la plataforma y límpiela para eliminar el pasto si es necesario. Suba la altura de corte o disminuya el ritmo de corte de césped.
	<ul style="list-style-type: none"> ■ La plataforma de la cortadora de césped está obstruida con pasto y residuos. 	<ul style="list-style-type: none"> ■ Desobstruya la plataforma de la cortadora de césped. Suba la altura de corte y/o corte una franja más estrecha.
	<ul style="list-style-type: none"> ■ El paquete de batería o la circuitería de la cortadora de césped están demasiado calientes. Si el paquete de batería está sobrecalentado, el indicador de estado de la cortadora de césped se apaga. Si la cortadora de césped está sobrecalentada, el indicador de estado de cortadora de césped se ilumina en naranja continuo. 	<ul style="list-style-type: none"> ■ Deje que el paquete de batería o la cortadora de césped se enfrien. ■ Limpie la entrada de aire, siguiendo la sección "Limpieza de la entrada de aire".
	<ul style="list-style-type: none"> ■ El modo de velocidad de las cuchillas no está ajustado correctamente. 	<ul style="list-style-type: none"> ■ Seleccione la velocidad de las cuchillas correspondiente a un ajuste más bajo.
	<ul style="list-style-type: none"> ■ El indicador de error del sistema electrónico de la cortadora de césped y de estado de la cortadora de césped parpadea en rojo/verde alternadamente. 	<ul style="list-style-type: none"> ■ Contacte a Servicio al Cliente de EGO.

PROBLEMA	CAUSA	SOLUCIÓN
Hay vibración excesiva.	<ul style="list-style-type: none"> El ajuste de la cuchilla de corte está flojo. 	<ul style="list-style-type: none"> Apriete el perno del eje.
	<ul style="list-style-type: none"> El ajuste de la cuchilla de corte está desequilibrado. 	<ul style="list-style-type: none"> Equilibre el ajuste de la cuchilla siguiendo “AFILADO DE LAS CUCHILLAS”.
	<ul style="list-style-type: none"> La(s) cuchilla(s) de corte está(n) doblada(s) 	<ul style="list-style-type: none"> Reemplace la cuchilla (las cuchillas).
	<ul style="list-style-type: none"> El eje del motor está doblado. 	<ul style="list-style-type: none"> Contacte a Servicio al Cliente de EGO.
	<ul style="list-style-type: none"> La cortadora de césped está configurada para cortar demasiado pasto a la vez. 	<ul style="list-style-type: none"> Suba la plataforma hasta un ajuste de la altura de corte mayor.
	<ul style="list-style-type: none"> El modo de velocidad de las cuchillas no está ajustado correctamente. 	<ul style="list-style-type: none"> Seleccione la velocidad de las cuchillas correspondiente a un ajuste más bajo.
Es difícil jalar hacia detrás la cortadora de césped después de apagar la autopropulsión.	<ul style="list-style-type: none"> Las ruedas están bloqueadas temporalmente. 	<ul style="list-style-type: none"> Simplemente empuje ligeramente hacia delante la cortadora de césped o suba las ruedas traseras y luego mueva la cortadora de césped según lo desee.
Es difícil maniobrar la cortadora de césped al cortar alrededor de un objeto o cortar hacia detrás y hacia delante con la autopropulsión encendida.	<ul style="list-style-type: none"> Las ruedas están bloqueadas temporalmente. 	<ul style="list-style-type: none"> Apague la autopropulsión.

PROBLEMA	CAUSA	SOLUCIÓN
El motor funciona, pero el ajuste de las cuchillas no corta el pasto.	<ul style="list-style-type: none">■ El perno del eje no está apretado con la fuerza de torsión requerida.	<ul style="list-style-type: none">■ Reapriete el perno del eje. La fuerza de torsión recomendada es de 36-43 pies-lb (50-60 Nm).

GARANTÍA LIMITADA DE EGO

TÉRMINOS Y DURACIÓN DE LA PÓLIZA DE GARANTÍA

Chervon North America, Inc. ("Chervon North America"), proporciona la siguiente Garantía Limitada para los productos EGO al comprador original de productos EGO.

El período de garantía detallado de cada producto EGO se puede encontrar en línea en <http://egopowerplus.com/warranty-policy>.

Sírvase contactar a Servicio al Cliente de EGO llamando gratis al 1-855-EGO-5656 en cualquier momento en que tenga preguntas o reclamos de garantía, o si desea obtener una copia impresa de la garantía.

GARANTÍA LIMITADA DE SERVICIO

Los productos EGO están garantizados contra defectos de material o de fabricación a partir de la fecha de compra minorista original durante el período de garantía aplicable. Para cualquier reclamo de garantía presentado de manera adecuada y oportuna, si Chervon North America determina que un producto presenta algún defecto durante el período de garantía, dicho producto recibirá una reparación o un remplazo gratuitos, según lo determine Chervon North America.

CÓMO OBTENER SERVICIO

Para obtener servicio de garantía, dentro del período de garantía aplicable, sírvase contactar a servicio al cliente de EGO llamando gratis al **1-855-EGO-5656**. Cuando solicite servicio de garantía, deberá presentar el recibo de venta fechado original. Se seleccionará un centro de servicio autorizado para evaluar y reparar el producto si el mismo presenta algún defecto de acuerdo con los términos establecidos en la garantía. Cuando lleve su producto al centro de servicio autorizado, es posible que se requiera un pequeño depósito cuando deje allí su herramienta. Este depósito es reembolsable cuando se considere que el servicio de reparaciones esté cubierto bajo garantía.

LIMITACIONES Y EXCLUSIONES ADICIONALES

Esta garantía limitada se aplica solo al comprador original que realice la compra a un minorista EGO autorizado y no es transferible. Los productos EGO no serán considerados defectuosos, y esta garantía no se aplicará, en los casos en que el defecto por el que se presente el reclamo sea atribuible a cualquier causa que no sean los defectos definidos anteriormente en este documento. Esta garantía quedará anulada si el producto se ha utilizado para fines de alquiler. Esta garantía no se aplicará a daños causados por accidente, abuso, uso incorrecto, alteración, modificación, reparación no autorizada, contacto con líquidos, incendio, terremoto u otra causa externa; utilización del producto sin seguir las instrucciones, especificaciones o pautas de EGO; o no hacer servicio de ajustes y reparaciones o no mantener adecuadamente el producto. Esta garantía tampoco se aplica a los daños cosméticos, incluyendo, pero sin limitarse a ello, rasguñaduras o abolladuras; defectos causados por el desgaste por el uso normal o defectos que de alguna otra manera se deban al envejecimiento normal del producto.

ESTA GARANTÍA EXPRESA SE DA EN LUGAR DE TODAS LAS DEMÁS GARANTÍAS, EXPRESAS O IMPLÍCITAS, INCLUYENDO, PERO SIN LIMITARSE A ELLO, TODAS LAS GARANTÍAS DE COMERCIABILIDAD O IDONEIDAD PARA UN PROPÓSITO O USO ESPECÍFICO, LAS CUALES QUEDAN EXCLUIDAS. Todas las garantías implícitas, incluyendo las garantías de comerciabilidad o idoneidad para un propósito específico, que no se puedan excluir bajo la ley estatal, están limitadas al período de garantía aplicable definido al comienzo de este artículo. El remedio único y exclusivo en conexión con la compra, instalación, uso y/o rendimiento de los productos EGO es la reparación o el reemplazo del producto tal y como lo determine Chervon North America. La responsabilidad máxima de North America no excederá en ningún caso el precio de compra pagado por el producto. CHERVON NORTH AMERICA NO SERÁ RESPONSABLE ANTE EL USUARIO NI ANTE NADIE MÁS POR DAÑOS EMERGENTES, INCIDENTALES, ESPECIALES, EJEMPLARES, INDIRECTOS O PUNITIVOS QUE SURJAN DEL USO DE LOS PRODUCTOS, INCLUYENDO, PERO SIN LIMITARSE A ELLO, LESIONES CORPORALES, MUERTE, DAÑOS MATERIALES, GANANCIAS PERDIDAS U OTROS PERJUICIOS ECONÓMICOS. Esta garantía le confiere a usted derechos legales específicos y es posible que usted tenga también otros derechos que varían de un estado a otro. Algunos estados no permiten limitaciones en cuanto a la duración de una garantía implícita, la exclusión o limitación de los daños incidentales o emergentes, o las limitaciones al tiempo para emprender ciertas acciones legales, por lo que las limitaciones contenidas en el presente documento no se aplican a los consumidores individuales de esos estados.



Esta garantía está sujeta a la ley de Michigan y se interpretará de acuerdo con dicha ley, con independencia de los principios sobre conflictos de leyes. No se emprenderá ninguna acción legal contra Chervon North America a menos que se presente dentro del plazo de un (1) año después de que se tenga conocimiento de la base de dicha acción legal o de la cual se debiera haber tenido conocimiento con el ejercicio de una diligencia razonable. Se considerará que se ha renunciado a cualquier acción legal que no se presente oportunamente.

Para obtener servicio al cliente, contáctenos llamando gratis al **1-855-EGO-5656** o en **EGOPOWERPLUS.COM**.

EGO Customer Service,
769 Seward Ave. NW, Suite 102,
Grand Rapids, Michigan 49504.

