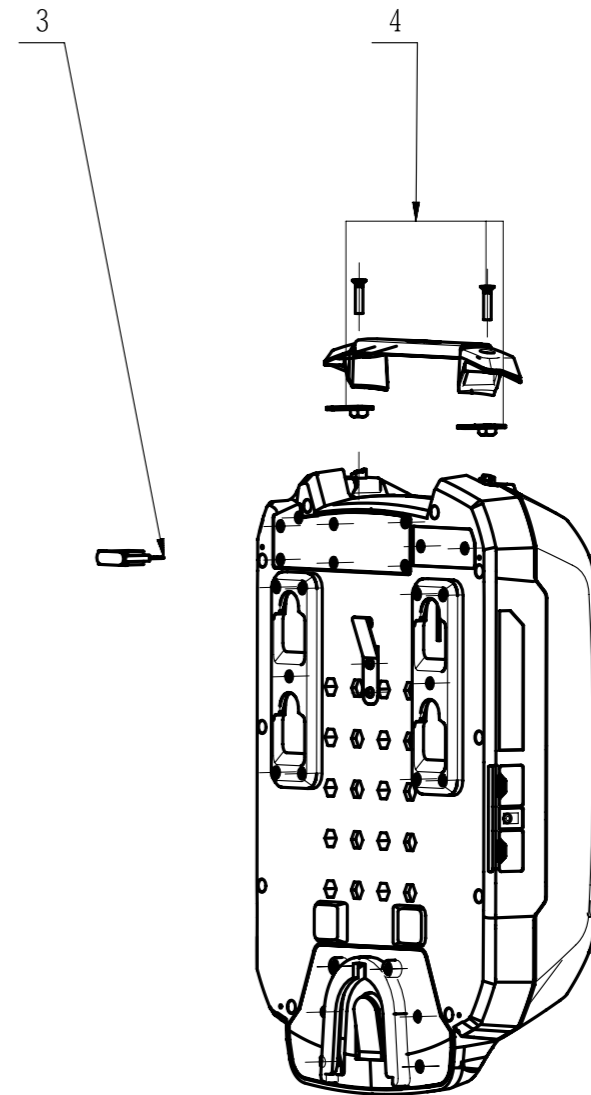
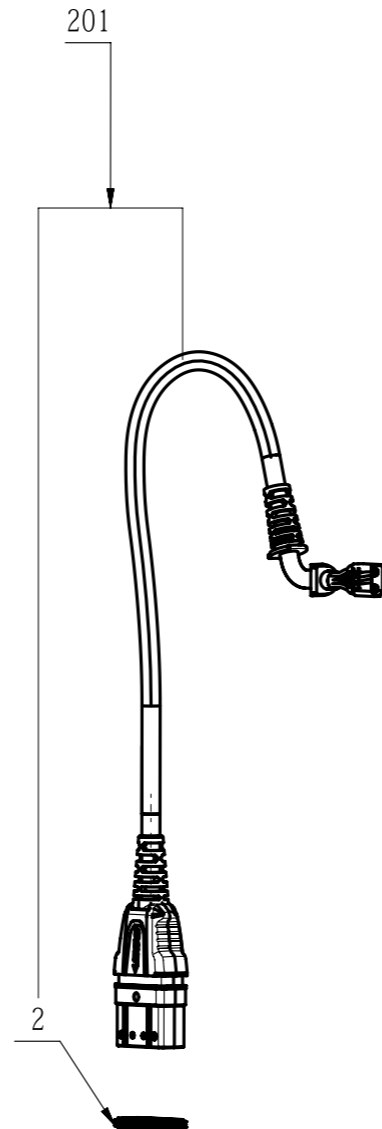
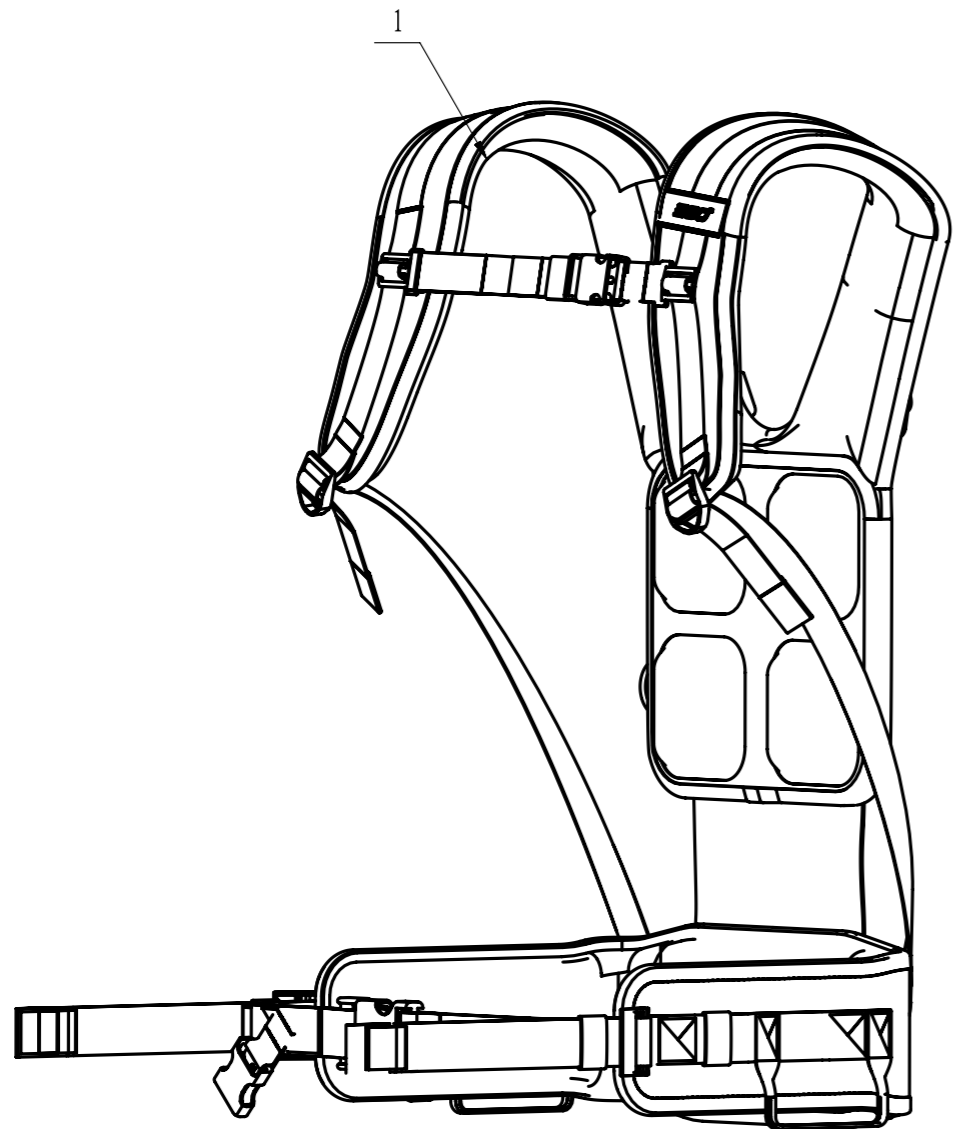




Product Description: Backpack Battery
Model Number: BAX1500
Service Item Number: 0860162001S01
Version: A
Issue Date: 2024/4/26



Service Part List_BAX1500_Vervion A

No.	Product Model#	Part Number	Description	Qty
1	BAX1500	2825382001	Harness Assembly	1
2	BAX1500	5690356002	Seal Ring	1
3	BAX1500	4970316001	fuse	1
4	BAX1500	2825720001	Handle Cover ASSY	1
201	BAX1500	4860423001	Internal Wire ASSY	1