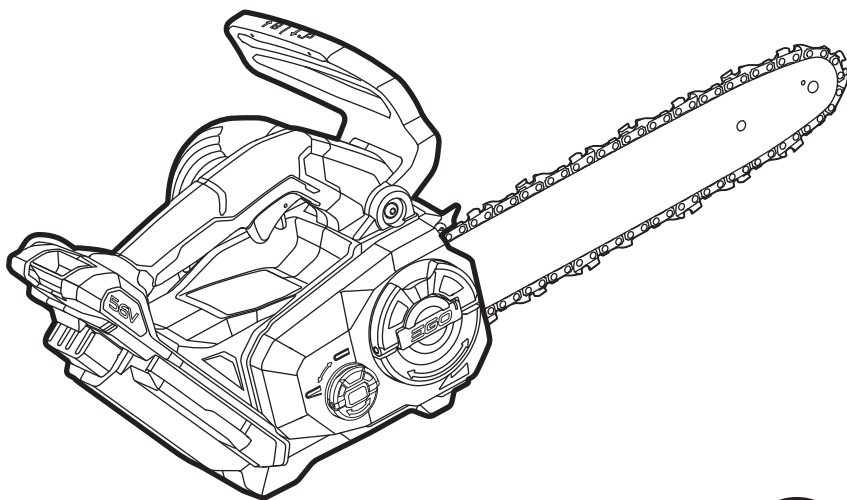


# EGO™

POWER<sup>+</sup> CHAIN SAW™



**FILL OIL TANK WITH BAR AND  
CHAIN OIL BEFORE FIRST USE**

**Français p. 49**

**Español p. 101**

**OPERATOR'S MANUAL**

**CORDLESS 12"**

**COMPACT CHAIN SAW**

**MODEL NUMBER CS1200/CS1200-FC**

**⚠ WARNING: To reduce the risk of injury, the user must read and understand the Operator's Manual before using this product. Save these instructions for future reference.**

# TABLE OF CONTENTS



**READ & UNDERSTAND  
OPERATOR'S MANUAL**

Safety Symbols .....	3
Symbols .....	4-5
General Machine Safety Warnings .....	6-9
Safety Instructions for Chain Saws .....	9-16
Additional Safety Instructions .....	16-17
Introduction .....	17
Specifications .....	18
Packing List .....	18
Description .....	19-21
Assembly .....	22
Operation .....	23-32
Maintenance .....	33-42
Troubleshooting .....	43-46
EGO Limited Warranty .....	47-48

# SAFETY SYMBOLS

The purpose of safety symbols is to attract your attention to possible dangers. The safety symbols and the explanations with them deserve your careful attention and understanding. The symbol warnings do not, by themselves, eliminate any danger. The instructions and warnings they give are no substitutes for proper accident prevention measures.

**⚠ WARNING!** Be sure to read and understand all safety instructions in this Operator’s Manual, including all safety alert symbols such as “**DANGER**”, “**WARNING**”, and “**CAUTION**” before using this machine. Failure to follow all instructions listed below may result in electric shock, fire, and/or serious personal injury.

The definitions below describe the level of severity for each signal word. Please read the manual and pay attention to these symbols.	
	This is the safety alert symbol. It is used to alert you to potential personal injury hazards. Obey all safety messages that follow this symbol to avoid possible injury or death.
	DANGER indicates a hazardous situation which, if not avoided, will result in death or serious injury.
	WARNING indicates a hazardous situation which, if not avoided, could result in death or serious injury.
	CAUTION, used with the safety alert symbol, indicates a hazardous situation which, if not avoided, will result in minor or moderate injury.









## DAMAGE PREVENTION AND INFORMATION MESSAGES

These inform the user of important information and/or instructions that could lead to equipment or other property damage if they are not followed. Each message is preceded by the word “NOTICE”, as in the example below:



**NOTICE:** Equipment and/or property damage may result if these instructions are not followed.

## SYMBOLS

This page depicts and describes safety symbols that may appear on this product. Read, understand, and follow all instructions on the machine before attempting to assemble and operate it.

	Safety Alert	Indicates a potential personal injury hazard.
	Read & Understand Operator's Manual	To reduce the risk of injury, user must read and understand the operator's manual before using this product.
	Wear Eye Protection	Always wear safety goggles or safety glasses with side shields and a full face shield when operating this product.
	Wear Ear Protection	Chain saw noise may damage your hearing. Always wear sound barriers (ear plugs or ear muffs) to protect your hearing.
	Wear Head Protection	Wear an approved safety hard hat to protect your head.
	Wear Protective Gloves	Protect your hands with gloves when handling saw and saw chain. Heavy-duty, nonslip gloves improve your grip and protect your hands.
	Wear Safety Footwear	Wear non-slip safety footwear when using this equipment.
	Guide bar tip kickback	Tip contact can cause the guide bar to move suddenly upward and backward, which can cause serious injury.



	Two handed hold	Always use two hands when operating the chain saw.
IP...	Ingress Protection Degree	Classifies the degree of protection provided by an enclosure, for electrical equipment.
	Direct Current	Type or a characteristic of current
V	Volt	Voltage
mm	Millimeter	Length or size
cm	Centimeter	Length or size
ft	Foot	Length or size
in.	Inch	Length or size
kg	Kilogram	Weight
lb	Pound	Weight
ml	Milliliter	Volume
fl.oz	Fluid Ounce	Volume
°C	Degrees Celsius	Temperature
°F	Degrees Fahrenheit	Temperature

## GENERAL MACHINE SAFETY WARNINGS

**⚠ WARNING!** Read all safety warnings, instructions, illustrations and specifications provided with this machine. Failure to follow all instructions listed below may result in electric shock, fire and/or serious injury.

### Save all warnings and instructions for future reference.

The term "machine" in the warnings refers to your mains-operated (corded) machine or battery-operated (cordless) machine.

### Work Area Safety

- **Keep work area clean and well lit.** Cluttered or dark areas invite accidents.
- **Do not operate power tools in explosive atmospheres, such as in the presence of flammable liquids, gases or dust.** Power tools create sparks which may ignite the dust or fumes.
- **Keep children and bystanders away while operating a power tool.** Distractions can cause you to lose control.

### Electrical Safety

- **Machine plugs must match the outlet. Never modify the plug in any way. Do not use any adapter plugs with earthed (grounded) machines.** Unmodified plugs and matching outlets will reduce risk of electric shock.
- **Avoid body contact with earthed or grounded surfaces, such as pipes, radiators, ranges and refrigerators.** There is an increased risk of electric shock if your body is earthed or grounded.
- **Do not expose machines to rain or wet conditions.** Water entering a machine will increase the risk of electric shock.
- **Do not abuse the cord. Never use the cord for carrying, pulling or unplugging the machine.** Keep cord away from heat, oil, sharp edges or moving parts. Damaged or entangled cords increase the risk of electric shock.
- **When operating a machine outdoors, use an extension cord suitable for outdoor use.** Use of a cord suitable for outdoor use reduces the risk of electric shock.
- **If operating a machine in a damp location is unavoidable, use a ground fault circuit interrupter (GFCI) protected supply.** Use of a GFCI reduces the risk of electric shock.

## Personal Safety

- **Stay alert, watch what you are doing and use common sense when operating a machine. Do not use a machine while you are tired or under the influence of drugs, alcohol or medication.** A moment of inattention while operating machines may result in serious personal injury.
- **Use personal protective equipment. Always wear eye protection.** Protective equipment such as a dust mask, non-skid safety shoes, hard hat or hearing protection used for appropriate conditions will reduce personal injuries.
- **Prevent unintentional starting. Ensure the switch is in the off-position before connecting to power source and/or battery pack, picking up or carrying the machine.** Carrying machines with your finger on the switch or energizing machines that have the switch on invites accidents.
- **Remove any adjusting key or wrench before turning the machine on.** A wrench or a key left attached to a rotating part of the machine may result in personal injury.
- **Do not overreach. Keep proper footing and balance at all times.** This enables better control of the machine in unexpected situations.
- **Dress properly. Do not wear loose clothing or jewelry. Keep your hair and clothing away from moving parts.** Loose clothes, jewelry or long hair can be caught in moving parts.
- **If devices are provided for the connection of dust extraction and collection facilities, ensure these are connected and properly used.** Use of dust collection can reduce dust-related hazards.
- **Do not let familiarity gained from frequent use of machines allow you to become complacent and ignore machine safety principles.** A careless action can cause severe injury within a fraction of a second.

## Machine Use and Care

- **Do not force the machine. Use the correct machine for your application.** The correct machine will do the job better and safer at the rate for which it was designed.
- **Do not use the machine if the switch does not turn it on and off.** Any machine that cannot be controlled with the switch is dangerous and must be repaired.

- **Disconnect the plug from the power source and/or remove the battery pack, if detachable, from the machine before making any adjustments, changing accessories, or storing machines.** Such preventive safety measures reduce the risk of starting the machine accidentally.
- **Store idle machines out of the reach of children and do not allow persons unfamiliar with the machine or these instructions to operate the machine.** Machines are dangerous in the hands of untrained users.
- **Maintain machines and accessories. Check for misalignment or binding of moving parts, breakage of parts and any other condition that may affect the machine's operation. If damaged, have the machine repaired before use.** Many accidents are caused by poorly maintained machines.
- **Keep cutting machines sharp and clean.** Properly maintained cutting machines with sharp cutting edges are less likely to bind and are easier to control.
- **Use the machine, accessories and machine bits etc. in accordance with these instructions, taking into account the working conditions and the work to be performed.** Use of the machine for operations different from those intended could result in a hazardous situation.
- **Keep handles and grasping surfaces dry, clean and free from oil and grease.** Slippery handles and grasping surfaces do not allow for safe handling and control of the machine in unexpected situations.

## Battery Machine Use and Care

- **Recharge only with the charger specified by the manufacturer.** A charger that is suitable for one type of battery pack may create a risk of fire when used with another battery pack.
- **Use machines only with specifically designated battery packs.** Use of any other battery packs may create a risk of injury and fire.
- **When battery pack is not in use, keep it away from other metal objects, like paper clips, coins, keys, nails, screws or other small metal objects, that can make a connection from one terminal to another.** Shorting the battery terminals together may cause burns or a fire.
- **Under abusive conditions, liquid may be ejected from the battery; avoid contact. If contact accidentally occurs, flush with water. If liquid contacts eyes, additionally seek medical help.** Liquid ejected from the battery may cause irritation or burns.

- **Do not use a battery pack or machine that is damaged or modified.** Damaged or modified batteries may exhibit unpredictable behavior resulting in fire, explosion or risk of injury.
- **Do not expose a battery pack or machine to fire or excessive temperature.** Exposure to fire or temperature above 265 °F (130 °C) may cause explosion.
- **Follow all charging instructions and do not charge the battery pack or machine outside the temperature range specified in the instructions.** Charging improperly or at temperatures outside the specified range may damage the battery and increase the risk of fire.

## Service

- **Have your machine serviced by a qualified repair person using only identical replacement parts.** This will ensure that the safety of the machine is maintained.
- **Never service damaged battery packs.** Service of battery packs should only be performed by the manufacturer or authorized service providers.

# SAFETY INSTRUCTIONS FOR CHAIN SAWS

- **Keep all parts of the body away from the saw chain when the chain saw is operating. Before you start the chain saw, make sure that the saw chain is not contacting anything.** A moment of inattention while operating chain saws may cause entanglement of your clothing or body with the chain.
- **Always hold the chain saw with your right hand on the rear handle and your left hand on the front handle.** Holding the chain saw with a reversed hand configuration increases the risk of personal injury and should never be done.
- **Hold the chain saw by insulated gripping surfaces only, because the saw chain may contact hidden wiring.** Saw chains contacting a "live" wire may make exposed metal parts of the chain saw "live" and could give the operator an electric shock.
- **Wear eye protection. Further protective equipment for hearing, head, hands, legs and feet is recommended.** Adequate protective equipment will reduce personal injury from flying debris or accidental contact with the saw chain.
- **Do not operate a chain saw on a ladder, from a rooftop, or any unstable support.** Operation of a chain saw in this manner could result in serious personal injury.

- **Always keep proper footing and operate the chain saw only when standing on fixed, secure and level surface.** Slippery or unstable surfaces may cause a loss of balance or control of the chain saw.
- **When cutting a limb that is under tension, be alert for spring back.** When the tension in the wood fibers is released, the spring-loaded limb may strike the operator and/or throw the chain saw out of control.
- **Use extreme caution when cutting brush and saplings.** The slender material may catch the saw chain and be whipped toward you or pull you off balance.
- **Carry the chain saw by the front handle with the chain saw switched off and away from your body. When transporting or storing the chain saw, always fit the guide bar cover.** Proper handling of the chain saw will reduce the likelihood of accidental contact with the moving saw chain.
- **Follow instructions for lubricating, chain tensioning and changing the bar and chain.** Improperly tensioned or lubricated chain may either break or increase the chance for kickback.
- **Cut wood only. Do not use chain saw for purposes not intended. For example: do not use chain saw for cutting metal, plastic, masonry or non-wood building materials.** Use of the chain saw for operations different than intended could result in a hazardous situation.
- **This chain saw is not intended for tree felling.** Use of the chain saw for operations different than intended could result in serious injury to the operator or bystanders.
- **Follow all instructions when clearing jammed material, storing or servicing the chain saw. Make sure the switch is off and the battery pack is removed.** Unexpected actuation of the chain saw while clearing jammed material or servicing may result in serious personal injury.
- **Do not operate a chain saw in a tree unless you have been specifically trained to do so.** Operation of a chain saw in a tree without proper training could increase the risk of serious personal injury.
- First-time users should, as a minimum, practise cutting logs on a saw-horse or cradle.

## CAUSES AND OPERATOR PREVENTION OF KICKBACK

Kickback may occur when the nose or tip of the guide bar touches an object, or when the wood closes in and pinches the saw chain in the cut.

Tip contact in some cases may cause a sudden reverse reaction, kicking the guide bar up and back towards the operator.

Pinching the saw chain along the top of the guide bar may push the guide bar rapidly back towards the operator.

Either of these reactions may cause you to lose control of the saw which could result in serious personal injury. Do not rely exclusively upon the safety devices built into your saw. As a chain saw user, you should take several steps to keep your cutting jobs free from accident or injury.

Kickback is the result of chain saw misuse and/or incorrect operating procedures or conditions and can be avoided by taking proper precautions as given below:

- **Maintain a firm grip, with thumbs and fingers encircling the chain saw handles, with both hands on the saw and position your body and arm to allow you to resist kickback forces.** Kickback forces can be controlled by the operator, if proper precautions are taken. Do not let go of the chain saw.
- **Do not overreach and do not cut above shoulder height.** This helps prevent unintended tip contact and enables better control of the chain saw in unexpected situations.
- **Only use replacement guide bars and saw chains specified by the manufacturer.** Incorrect replacement guide bars and saw chains may cause chain breakage and/or kickback.
- **Follow the manufacturer's sharpening and maintenance instructions for the saw chain.** Decreasing the depth gauge height can lead to increased kickback.

## KICKBACK SAFETY DEVICES ON THIS CHAIN SAW

### Chain Brake

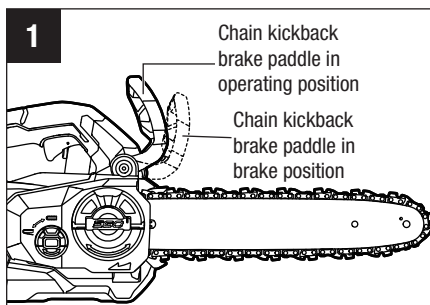
The chain saw comes equipped with a chain brake, which stops both the motor and the motion of the chain when kickback occurs. The chain brake can be activated by the forward motion of the chain-kickback brake paddle as the saw rotates backward during kickback; it can also be activated by the inertial forces generated during rapid pushback.

**⚠ WARNING:** Never modify or attempt to disable the chain brake.

Make sure that the chain brake is working properly before using the chain saw. The chain-kickback brake paddle should move back and forth easily.

To test the operation of the chain brake, perform the following steps (Fig. 1):

- Place the chain saw on a flat bare surface and make sure no objects or obstructions that could come in contact with the bar and chain are in the immediate vicinity.
- Disengage the chain brake by pulling the chain-kickback brake paddle towards the front handle.
- Start the chain saw.
- Push the chain-kickback brake paddle towards the front of the saw. A properly functioning hand brake will stop the movement of the chain immediately. If the chain brake is not working properly, do not use the chain saw until it has been repaired by a qualified service technician.



**⚠ WARNING:** Confirm that the chain brake works properly before each use.

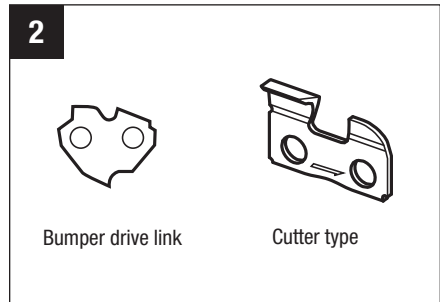
**⚠ WARNING:** If the chain brake is clogged with wood chips, the function of the chain brake may deteriorate. Always keep the device clean.



## Low Kickback Saw Chain

The ramp-shaped depth gauges ahead of each cutter can minimize the force of a kickback reaction by preventing the cutters from digging in too deeply at the kickback zone. Only use a replacement chain that is equivalent to the original chain or has been certified as a low kickback chain per ANSI B175.1. A low kickback tooth saw chain is a chain that has met the kickback performance requirements of ANSI B175.1 (American National Standard for Power Tools - Gasoline-Powered Chain Saws - Safety Requirements) when tested on the representative sample of chain saws below 3.8 c.i.d. specified in ANSI B175.1.

The bumper drive link (Fig. 2) also helps deliver low-kickback performance.



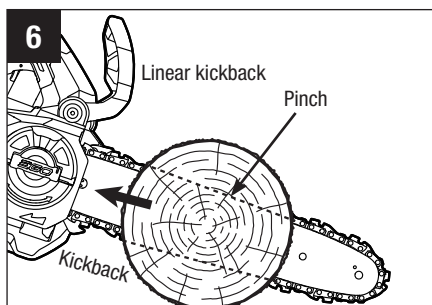
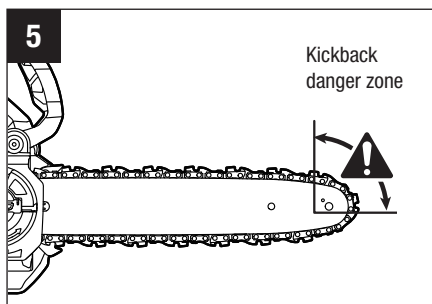
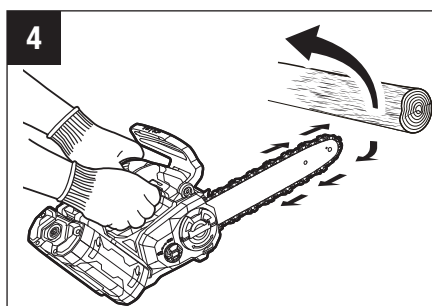
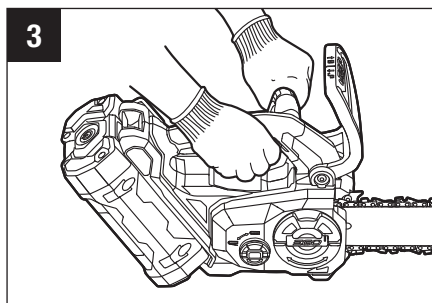
**⚠ CAUTION:** As saw chains are sharpened during their useful life, they lose some of the low kickback qualities and extra caution should be used.

## GUIDE BAR

This saw comes equipped with a guide bar that has a small radius nose. Small radius noses generally have less potential for kickback. When replacing the guide bar, be sure to order the bar listed in this manual.

## ADDITIONAL WARNINGS

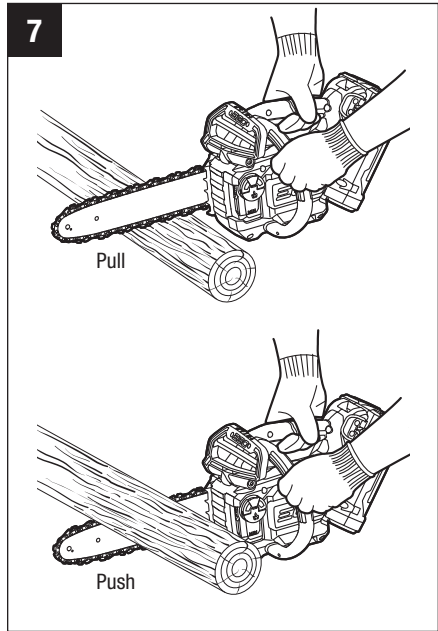
- **With a basic understanding of kickback (Fig. 3 – 5), you can reduce or eliminate the element of surprise.** Sudden surprise contributes to accidents.
- **Make sure that the area in which you are cutting is free from obstructions.** Do not let the nose of the guide bar contact a log, branch, fence, or any other obstruction that could be hit while you are operating the saw.
- **Inspect the work piece for nails, wire, or other foreign objects prior to cutting.**
- **Keep proper footing and balance at all times.**
- **A chain saw is intended for two handed use.** Serious injury to the operator, helpers, and/or bystanders can result from one-handed operation (Fig. 3).
- **Always cut with the unit running at full speed.** Fully squeeze the switch trigger and maintain cutting speed.



- **Push and Pull** – The reaction force is always opposite to the direction the chain is moving where wood contact is made. Thus, the operator must be ready to control the PULL when cutting on the bottom edge of the bar, and the PUSH when cutting along the top edge (Fig. 7).

- **Avoid unintentional contact with the stationary saw chain or guide bar rails.** These can be very sharp. Always wear gloves and long pants or chaps when handling the chain saw, saw chain, or guide bar.

- **Never operate a chain saw that is damaged or improperly adjusted or that is not completely and securely assembled.** Be sure that the saw chain stops moving when the trigger switch is released.



- **When bucking, secure the work piece prior to cutting. When pruning, identify and secure hazardous branches.**
- **Aggressive or abusive cutting or misuse of the chain saw can cause premature bar, chain, and/or sprocket wear, as well as a broken chain or bar, leading to kickback, chain throw or the ejection of material.**
- **Never use the guide bar as a lever.** A bent guide bar can cause premature bar, chain, and/or sprocket wear, as well as a broken chain or bar, leading to kickback, chain throw or the ejection of material.
- **Cut only one work piece at a time.**

**NOTE: This saw will not function with larger EGO batteries. Only the following batteries are compatible with this saw:**

<b>BATTERY PACK</b>
BA1400, BA1400-FC, BA2800, BA2800-FC, BA1400T, BA1400T-FC, BA2242T, BA2242T-FC, BA2800T, BA2800T-FC

- **Use only with the chargers listed below:**

<b>CHARGER</b>
CH2100, CH2100-FC, CH3200, CH3200-FC, CH5500, CH5500-FC, CH2800D, CH2800D-FC, CH7000, CH7000-FC, CH7000T, CH7000T-FC

- **Do not charge the battery pack in rain or in wet locations.**
- **If situations occur which are not covered in this manual, use care and good judgment. Contact EGO Customer Service for assistance.**

## ADDITIONAL SAFETY INSTRUCTIONS

**⚠ WARNING:** Drilling, sawing, sanding or machining wood products can expose you to wood dust, a substance known to the State of California to cause cancer. Avoid inhaling wood dust or use a dust mask or other safeguards for personal protection. For more information go to [www.P65Warnings.ca.gov/wood](http://www.P65Warnings.ca.gov/wood).

**⚠ WARNING:** Some dust created by power cutting contains chemicals known to the state of California to cause cancer, birth defects or other reproductive harm. Some examples of these chemicals are:

- Lead from lead-based paints.
- Crystalline silica from bricks, cement, and other masonry products.
- Arsenic and chromium from chemically-treated lumber.

Your risk from these exposures varies, depending upon how often you do this type of work. To reduce your exposure to these chemicals:

- Work in a well-ventilated area.
- Work with approved safety equipment, such as dust masks that are specially designed to filter out microscopic particles.

- Avoid prolonged contact with dust from power sanding, sawing, grinding, drilling, and other construction activities. Wear protective clothing and wash exposed areas with soap and water. Allowing dust to get into your mouth or eyes or to lie on the skin may promote absorption of harmful chemicals.

**SAVE THESE INSTRUCTIONS!**

## INTRODUCTION

Congratulations on your selection of the new generation of 56V Lithium-ion battery powered chain saw. It has been designed, engineered and manufactured to give you the best possible dependability and performance.

Should you experience any problem you cannot easily remedy, please contact EGO customer service 1-855-EGO-5656.


This manual contains important information on to the safe assembly, operation and maintenance of your chain saw. Read it carefully before using the chain saw.

Keep this manual handy so you can refer to it at any time.

SERIAL NUMBER \_\_\_\_\_ DATE OF PURCHASE \_\_\_\_\_

YOU SHOULD RECORD BOTH SERIAL NUMBER AND DATE OF PURCHASE AND KEEP IN A SAFE PLACE FOR FUTURE REFERENCE

## SPECIFICATIONS

Rated Voltage	56V 
Guide Bar Length	12" (304.8mm)
Chain Pitch	3/8" (9.525mm) LP
Chain Gauge	0.043" (1.1mm)
Number of Drive Links	45
Max. Chain Speed	20m/s
Chain Oil Tank Capacity	5.0 oz (150ml)
Recommended Operating Temperature	5°F – 104°F (-15°C – 40°C)
Recommended Storage Temperature	-4°F – 158°F (-20°C – 70°C)
Weight (without battery pack, saw chain, guide bar, side cover, oil and chain sheath)	4.2 lbs. (1.9 kg)
Ingress Protection Rating	IPX4* (Protection from splashing water)

\* **NOTE:** IPX4 rating is based on the machine and battery being used together as a system.

### Recommended Bar and Chain for This Chain Saw

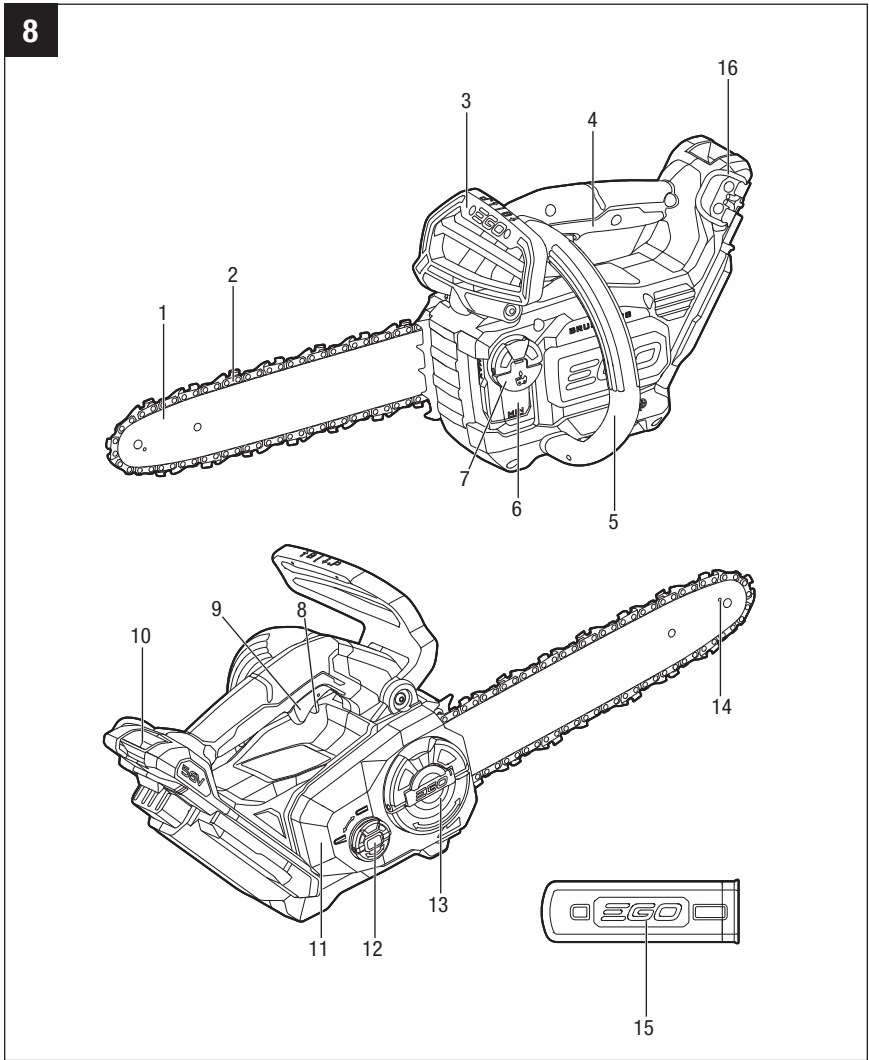
PART NAME	MODEL NUMBER
Guide Bar + Saw Chain	AK1204
Saw Chain	AC1204

## PACKING LIST

PART NAME	QUANTITY
Saw Chain	1
Chain Sheath	1
Operator's Manual	1

# DESCRIPTION

## KNOW YOUR CHAIN SAW (Fig. 8)



- |                                |                            |
|--------------------------------|----------------------------|
| 1. Guide Bar                   | 9. Trigger Switch          |
| 2. Saw Chain                   | 10. Battery-release Button |
| 3. Chain-kickback Brake Paddle | 11. Side Cover             |
| 4. Rear Handle                 | 12. Chain-tensioning Knob  |
| 5. Front Handle                | 13. Side-cover Knob        |
| 6. Oil-inspection Window       | 14. Lubricating Hole       |
| 7. Oil Tank Cap                | 15. Chain Sheath           |
| 8. Locking Tongue              | 16. Lanyard Eyelet         |

**⚠ WARNING:** The safe use of this product requires an understanding of the information on the product and in this instruction manual, as well as knowledge of the project you are attempting. Before use of this product, familiarize yourself with all operating features and safety rules.

### **Chain-kickback Brake Paddle**

Serves as the lever for chain brake activation. It also provides protection against projecting branches and helps prevent the left hand from touching the saw chain if it slips off the front handle.

### **Trigger Switch**

Turns the chain saw On and Off and adjusts the chain speed.

### **Locking Tongue**

Helps to prevent accidental or unauthorized activating of the trigger switch. It must be depressed before the trigger switch can be activated.

### **Oil-tank Cap**

Seals the oil tank.

### **Oil-inspection Window**

Provides a view of the oil level in the oil tank.



## Saw Chain

A loop of chain having cutting teeth that cuts the wood when it is driven by the power head and supported by the guide bar.

## Chain Sheath

The chain sheath keeps the operator from coming in contact with the sharp chain blades when the machine is not in use. It also helps keep the chain blades from being nicked or damaged when the machine is in transportation and storage.

## Guide Bar

Supports and guides the saw chain.

## Front Handle

The support handle for the left hand at the front of the chain saw.

## Rear Handle

The support handle for the right hand, located at the rear of the chain saw. **Always hold the chain saw with your right hand on the rear handle and your left hand on the front handle.**

## Side Cover

Covers the drive sprocket and secures the guide bar.

## Chain-tensioning Knob

Permits precise adjustment of chain tension.

## Battery-release Button

Press to release the battery pack from the tool.

## Lanyard Eyelet

For lifting the chain saw when using at an elevated location and connection to the user for carrying the chain saw when at elevated heights.

## ASSEMBLY

**⚠ WARNING:** If any parts are damaged or missing, do not operate this product until the parts are replaced. Use of this product with damaged or missing parts could result in serious personal injury.

**⚠ WARNING:** Do not attempt to modify this product or create accessories not recommended for use with this product. Any such alteration or modification is misuse and could result in a hazardous condition leading to possible serious personal injury.

**⚠ WARNING:** To prevent accidental starting that could cause serious personal injury, always remove the battery pack from the product when you are assembling parts, making adjustments, cleaning, or when the product is not in use.

## UNPACKING

- This product has been shipped completely assembled.
- Carefully remove the product and any accessories from the box. Make sure that all items listed in the packing list are included.
- Inspect the product carefully to make sure that no breakage or damage occurred during shipping.
- Do not discard the packing material until you have carefully inspected and satisfactorily operated the product.
- If any parts are damaged or missing, please return the product to the place of purchase.

## OPERATION

**⚠ WARNING:** Do not allow familiarity with this product to make you careless. Remember that a careless fraction of a second is sufficient to inflict serious injury.

**⚠ WARNING:** Always wear safety goggles or safety glasses with side shields marked to comply with ANSI Z87.1. Failure to do so could result in objects being thrown into your eyes and other possible serious injuries.

**⚠ WARNING:** Do not use any attachments or accessories not recommended by the manufacturer of this product. The use of attachments or accessories not recommended can result in serious personal injury.

Before each use, inspect the entire product for damaged, missing, or loose parts such as screws, nuts, bolts, caps, etc. Tighten securely all fasteners and caps and do not operate this product until all missing or damaged parts are replaced.

## APPLICATION

You may use this product for basic limbing, pruning, and woodcutting of lumber and trees.

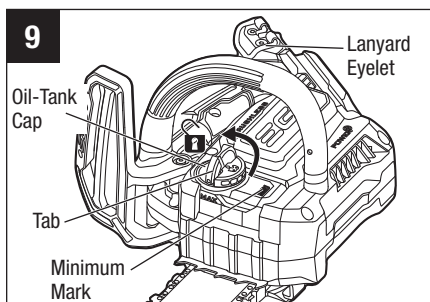
## FILLING OIL TANK WITH BAR AND CHAIN LUBRICANT

**⚠ WARNING:** To prevent accidental starting that could cause serious personal injury, always remove the battery pack from the machine before filling the tank with oil.

**⚠ WARNING:** Do not smoke or bring any fire or flame near the oil or the chain saw. Oil may spill and cause a fire.

**NOTICE:** The chain saw is not filled with oil at the time of purchase. It is essential to fill the tank with chain oil before use. Operating the chain saw without chain oil or when the oil level is below the minimum mark will result in damage to the chain saw. Chain life and cutting capacity depend on optimum lubrication. The chain is automatically lubricated with chain oil during operation, if there is sufficient oil in the oil tank.

1. Remove the battery pack from the chain saw.
2. Clean the oil-tank cap and the area around it to ensure that no dirt falls into the oil tank.
3. Lay the chain saw on a firm, flat surface, so that the oil-tank cap is facing upwards. Rotate the tab counterclockwise to remove the cap (Fig. 9).



4. Carefully pour the bar and chain oil into the tank. Be careful not to let the oil spill from the opening. Fill to the bottom of the fill neck. Wipe off any excess oil.
5. Replace the cap, place the saw upright, and view the level through the oil-inspection window. Oil should fill the window.

## NOTICE:

- Use EGO AOL3200 or AOL1000 bar and chain oil for best results. It is specially designed to provide low friction and faster cuts.
- Never use oil or other lubricants not specifically designed for use on the bar and chain. This can lead to a clogged oil system, which may cause premature wear of the bar and chain.
- Check the oil level frequently and fill when the oil level falls below the minimum mark. Never operate the chain saw if the oil is not visible.
- Do not use dirty, used, or otherwise contaminated oil. Damage may occur to the bar or chain.
- It is normal for oil to seep from the saw when it is not in use. To prevent seepage, empty the oil tank after each use, and then run the saw for one minute. When storing the saw for a long period of time, be sure the chain is lightly lubricated; this will prevent rust on the chain and bar sprocket.
- To preserve natural resources, please recycle or dispose of oil properly. Consult your local waste authority for information regarding available recycling and disposal options.

## USING THE LANYARD EYELET (Fig. 9)

**⚠ WARNING:** Always cover the saw chain and guide bar with chain sheath when hanging the chain saw on a tool belt. Saw chain is sharp and may cause serious injuries.

**⚠ WARNING:** Make sure the lanyard is sufficiently strong to support the combined weight of the chain saw and the battery pack. Serious injuries and property damage could result if the chain saw falls.

## INSTALLING/REMOVING THE BATTERY PACK

**NOTE:** Fully charge your battery pack before first use.

### To install battery pack (Fig. 10)

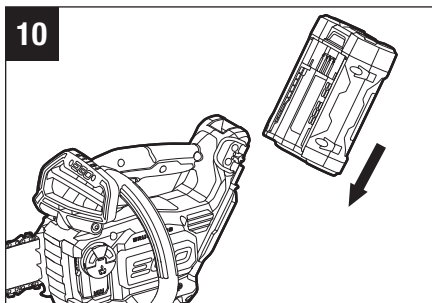
1. Align the ribs of the battery pack with the mounting slots in the chain saw's battery port.
2. Slide the battery pack into the machine until it snaps into position.

**⚠ WARNING:** Make sure that the latch on the chain saw snaps in place and the battery pack is secured to the saw before beginning the operation. Failure to securely seat the battery pack could cause the battery pack to fall out, resulting in serious personal injury.

**⚠ WARNING:** To keep comfortable balance during cutting, please use only with the battery pack BA1400/BA1400-FC/BA1400T/BA1400T-FC. Larger battery packs will tip the rear of the saw down.

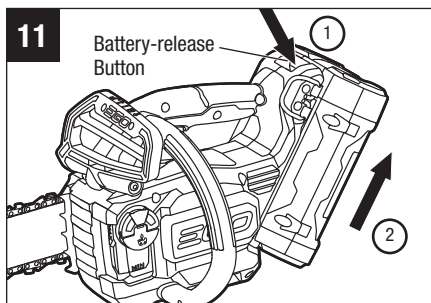
### To remove battery pack (Fig. 11)

**⚠ WARNING:** Always be aware of the location of your feet and children or pets around you when pressing the battery release button. Serious injury could result if the battery pack falls. NEVER remove the battery pack at a high location.



1. Hold the battery pack in the palm of your hand.
2. Press the battery-release button with your thumb; the battery pack will disengage from the latch.
3. Grasp the battery pack and remove it from the chain saw.

**⚠ WARNING:** To avoid serious personal injury, always remove the battery pack and keep hands clear of the locking tongue and trigger switch when carrying or transporting the machine.



## STARTING/STOPPING THE CHAIN SAW

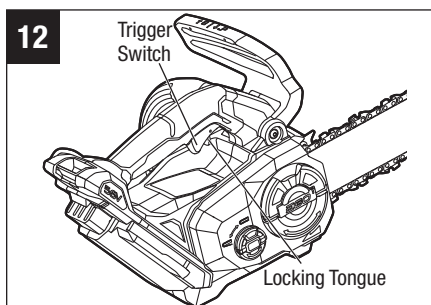
### Before Starting the Chain Saw:

1. Remove the battery pack.
2. Make sure that the chain is properly mounted and correctly tensioned according to the chapter “**ADJUSTING THE CHAIN TENSION**” later in this manual.
3. Check the tension of the side-cover knob before use. If it is loose, securely tighten the side-cover knob.
4. Check the oil level and fill the tank as needed. Make sure the chain is well lubricated.
5. Check the sharpness of the cutting teeth of the saw chain.
6. Make sure that the chain-kickback brake paddle can move back and forth easily between the brake position and the operating position.
7. Hold the chain saw with both hands: with the right hand on the rear handle and the left hand on the front handle.
8. Make sure that you have a secure and balanced footing. Watch out for obstacles such as tree stumps, roots, and ditches, which could cause you to trip or stumble.
9. Stand upright and hold the chain saw in a relaxed position and make sure the saw chain is not touching the ground or any other objects.

10. Make sure that object being cut does not exceed the usable cutting length of the chain saw. The tip of guide bar shall always stick out at least 1-31/32" (5 cm) outside the outline of the wood log.

## To Start the Chain Saw (Fig. 12)

1. Install the battery pack.
2. Make sure that no objects or obstructions that could come in contact with the bar and chain are in the immediate vicinity.
3. Pull the chain-kickback brake paddle towards the front handle to the operating position (see Fig. 1).
4. Grasp the front handle and the rear handle firmly, using both hands.
5. Move the locking tongue forward and then press the trigger switch. The more you pull up the trigger switch, the higher rotating speed of the saw chain is.



**⚠ WARNING:** Do not attempt to start the saw when the saw chain is in a cut or in contact with any surface.

## To Stop the Chain Saw

1. Move the chain saw away from cutting area, and then release the trigger switch to stop the chain saw.
2. Push the chain-kickback brake paddle forward to the brake position to engage the chain brake (see Fig. 1).

**⚠ WARNING:** Always remove the battery pack from the chain saw during work breaks and after finishing work.

## PREPARATION FOR CUTTING

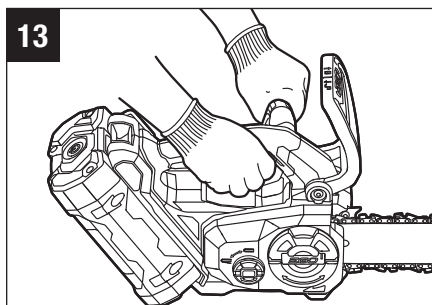
Refer to section **SAFETY INSTRUCTIONS** earlier in this manual for appropriate safety equipment.

## Work Area Precautions

- Cut only wood or materials made from wood; do not cut sheet metal, plastics, masonry, or non-wood building materials.
- Never allow children to operate the chain saw.
- Allow no person to use this chain saw who has not read this Operator's Manual or received adequate instructions for the safe and proper use of this chain saw.
- Always work within calling distance of others in case help is needed.
- Watch out for obstacles.
- If you work in the tree: Use a fall protection rope to protect yourself.
- If you work in the tree: Secure the chainsaw with a rope tied to the carabiner to prevent the saw from falling to ground.
- Do not cut above chest height, as a saw held higher is difficult to control against kickback forces.
- Working near live electric cables can result in accidental contact with the chain and damage the cables. This can result in serious or fatal injuries.
- Cut only when visibility and light are adequate for you to see clearly.
- Do not work in an easily combustible location.

## Proper Grip on Handles

- Wear non-slip gloves for maximum grip and protection.
- With the saw on a firm, flat surface, hold the saw firmly with both hands.
- Always grasp the front handle with the left hand and the rear handle with the right hand.
- The fingers should encircle the handle, with the thumb wrapped under the front handle (Fig. 13).



**⚠ WARNING:** Never use a left-handed (cross-handed) grip, or any stance which would place your body or arm across the chain line.

**⚠ WARNING:** Do not operate the trigger switch with your left hand and hold the front handle with your right hand. Never allow any part of your body to be in the chain line while operating a chain saw (Fig. 14).



## Proper Cutting Stance (Fig. 15)

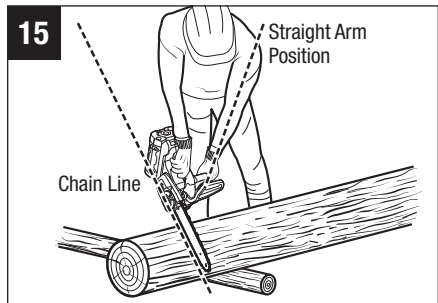
- Both feet should be on solid ground, with weight evenly spread between them.
- The left arm should be straight, with the elbow locked. This helps to withstand the forces generated by kickback.
- Your body should always be to the left of the chain line.



## CUTTING

### Basic Cutting

**⚠ WARNING:** Always be sure of your footing and hold the chain saw firmly with both hands while the motor is running.



Practice cutting a few small logs using the following technique to get the “feel” of using your saw before you begin a major sawing operation.

1. Always hold the product firmly with both hands: front handle with the left hand and rear handle with the right hand. Fully grip both handles at all times during operation. Never operate the product using only one hand.
2. Take the proper stance in front of the wood with the saw off.
3. Press the locking tongue and squeeze the trigger switch to start the chain saw. Let the chain reach the full speed before beginning the cut.
4. Begin cutting by lightly pressing the guide bar against the wood. Use only light pressure, letting the saw do the work. Do not force the chain saw (apply light and continuous pressure in order to avoid overheating the blade tips).
5. Maintain a steady speed throughout the cut, releasing pressure just before the end of the cut.
6. Be careful when reaching the end of the cut. The weight of the chain saw may change unexpectedly as it cuts free from the wood. This can cause accidents to the legs and feet.

Always remove the chain saw from a wood cut while the saw is running. Release the trigger switch as soon as the cut is completed, allowing the chain to stop.

**⚠ WARNING:** When the saw chain is stopped due to pinching during cutting, release the trigger switch; remove the saw chain and guide bar from the wood, then restart the chain saw.

**⚠ WARNING:** Do not pull the saw chain with your hand when it is bound by the sawdust. Serious injury could result if the chain saw starts accidentally. Press the saw chain against the wood, move the chain saw back and forth to discharge the debris. Always remove the battery pack before cleaning. Wear heavy protective gloves when handling the saw chain.

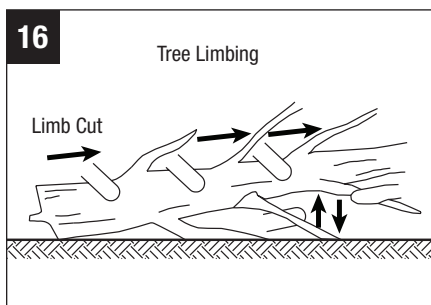
**⚠ WARNING:** Never start the chain saw when it is in contact with the wood. Always allow the chain saw reach full speed before applying the saw to the wood.

## LIMBING

Limbing is removing branches from a fallen tree. When limbing, leave larger limbs to support the log off the ground.

Remove the small limbs in one cut as illustrated in Fig. 16. Branches under tension should be cut from the bottom up to avoid binding the chain saw.

**⚠ WARNING:** There is an extreme danger of kickback during the limbing operation. Be extremely cautious and avoid contacting the log or other limbs with the tip of the guide bar.



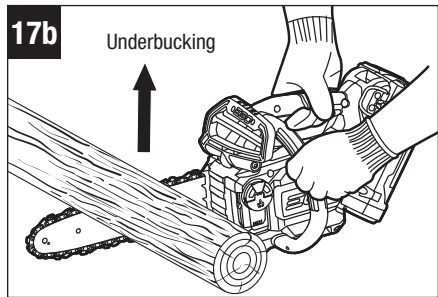
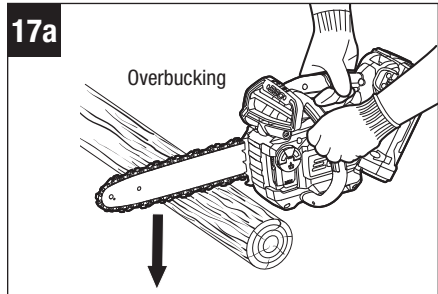
## BUCKING A LOG

Bucking is cutting a log into lengths. It is important to make sure your footing is firm and your weight is evenly distributed on both feet. When possible, the log should be raised and supported by the use of limbs, logs, or chocks. Follow the simple directions for easy cutting.

**⚠ WARNING:** Keep a clear-cutting area. Make sure that no objects can contact the guide bar nose and chain during cutting; this can cause kickback.

### Overbucking (Fig. 17a)

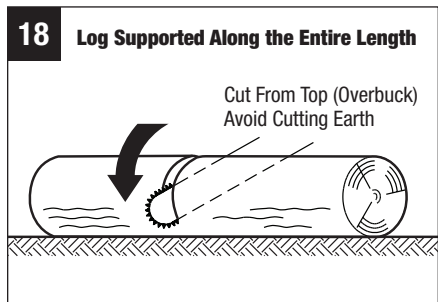
Begin on the top side of the log with the bottom of the saw against the log; exert light pressure downward. Note that the saw will tend to pull away from you.



### Underbucking (Fig. 17b)

Begin on the underside of the log with the top of the saw against the log; exert light pressure upward. During underbucking, the saw will tend to push back at you. Be prepared for this reaction and hold the saw firmly to maintain control.

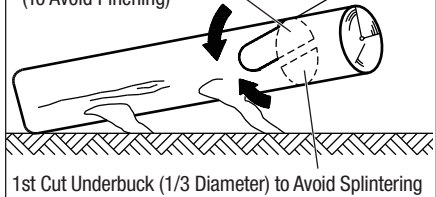
- When the log is supported along its entire length, it should be cut from the top (overbucking) (Fig. 18).
- When the log is supported on only one end, cut 1/3 the diameter from the underside (underbucking). Then make the finishing cut by overbucking to meet the first cut (Fig. 19).



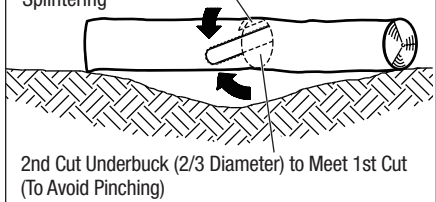
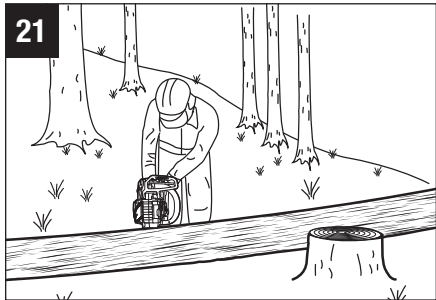
- When the log is supported on both ends, cut 1/3 of that diameter from the top overbuck. Then make the finished cut by underbucking the lower 2/3 to meet the first cut (Fig. 20).
- When bucking on a slope, always stand on the uphill side of the log (Fig. 21).
- To maintain complete control when cutting through, release the cutting pressure near the end of the cut without relaxing the grip on the chain saw handles. Don't allow the chain to contact the ground. After completing the cut, wait for the saw chain to stop before you move the chain saw. Always stop the motor before moving from tree to tree.

**19****Log Supported One End**

2nd Cut Overbuck (2/3 Diameter) to Meet 1st Cut (To Avoid Pinching)

**20****Log Supported Both Ends**

1st Cut Overbuck (1/3 Diameter) to Avoid Splintering

**21**

## MAINTENANCE

**⚠ WARNING:** To avoid serious personal injury, remove the battery pack from the chain saw before servicing, cleaning, changing add-on attachments, performing any maintenance or when the product is not in use. A battery-operated machine with the battery pack inserted is always on and can start accidentally.

**⚠ WARNING:** When servicing, only use identical replacement parts. Use of any other parts may create a hazard or cause product damage.

**⚠ WARNING:** Always wear heavy gloves when handling the bar and chain. Be careful of the saw chain and protect your hands from being injured by the saw chain.

**⚠ WARNING:** Always wear eye protection with side shields marked to comply with ANSI Z87.1. Failure to do so could result in objects being thrown into your eyes resulting in possible serious injury.

## CLEANING

Avoid using solvents when cleaning plastic parts. Most plastics are susceptible to damage from various types of commercial solvents and may be damaged by their use. Use clean cloths to remove dirt, dust, oil, grease, etc.

**⚠ WARNING:** Do not at any time let brake fluids, gasoline, petroleum-based products, penetrating oils, etc., come in contact with plastic parts. Chemicals can damage, weaken, or destroy plastic, which may result in serious personal injury.

**⚠ WARNING:** When cleaning the chain saw, DO NOT immerse it in water or other liquids.

- After each use, clean debris from the chain and guide bar with a soft brush. Wipe the chain saw surface with a clean cloth moistened with a mild soap solution.
- Remove the side cover, and then use a soft brush to remove debris from the guide bar, saw chain, sprocket and side cover.
- Always clean out wood chips, saw dust, and dirt from the guide bar groove when replacing the saw chain.

All chain saw service, other than the items listed in these maintenance instructions, should be performed by competent chain saw service personnel.

## REPLACING THE BAR AND CHAIN

**⚠ WARNING:** Before performing any maintenance, make sure that the battery pack is removed. Failure to heed this warning could result in serious personal injury.

**⚠ WARNING:** Always wear gloves when handling the bar and chain; these components are sharp and may contain burrs.

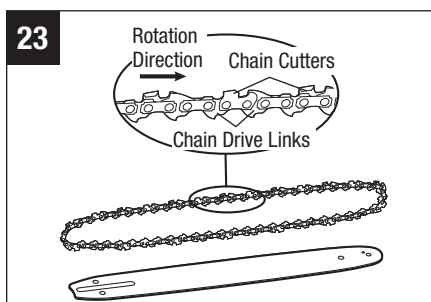
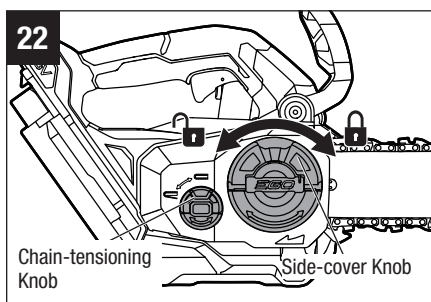
**⚠ WARNING:** Never touch or adjust the chain while the motor is running. The saw chain is very sharp; always wear protective gloves when performing maintenance to the chain.

**NOTICE:** When replacing the guide bar and chain, always use the specified bar and chain combination listed in the “Recommended Bar and Chain for This Chain Saw” section.

### Disassembling the Worn Bar and Chain (Fig. 22)

1. Remove the battery, allow the saw to cool and tighten the oil tank cap.
2. Position the chain saw on its side on a firm, flat surface, so that the side cover is facing upwards.
3. Wear gloves. Remove the side cover by turning the side-cover knob counterclockwise. Clean the side cover with a dry cloth.
4. Remove the worn bar and chain from the mounting surface.

**NOTICE:** This is a good time to inspect the drive sprocket for excessive wear or damage.



### Assembling the New Bar and Chain

1. Remove the battery, allow the saw to cool and tighten the oil tank cap.
2. Lay the new saw chain in a loop on a flat surface and straighten any kinks (Fig. 23).

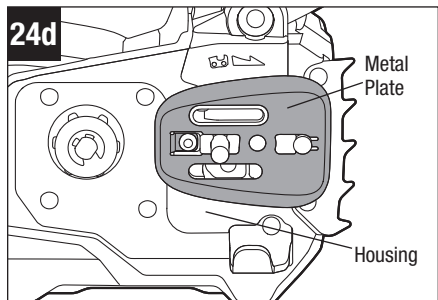
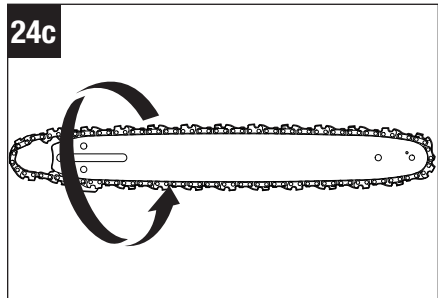
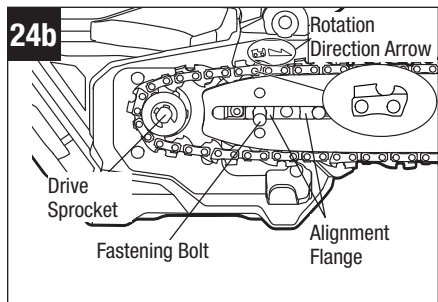
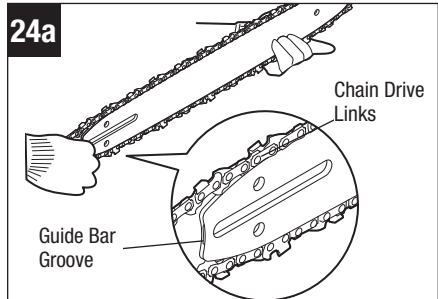
- Place the chain drive links into the guide bar groove. Position the chain so there is a loop at the back of the guide bar (Fig. 24a).
- Hold the chain in position on the guide bar and place the loop around the drive sprocket of the saw.

**NOTICE:** When looping the saw chain onto the guide bar, make sure that after mounting the guide bar onto the saw, the cutter orientation matches the cutter icon and rotation direction arrow on the housing of the saw (Fig. 24b). If they face in opposite directions, reassemble the saw chain onto the guide bar with the cutters facing the same direction (Fig. 24c).

**NOTE:** Tension the chain by following instructions in the chapter “**ADJUSTING THE CHAIN TENSION**” in the next section.

- Place the guide bar on the mounting surface by sliding the guide-bar slot over the alignment flanges. Make sure that the guide bar is correctly positioned over the fastening bolt.

**NOTICE:** During assembly and maintenance, the metal plate underneath the guide bar (Fig. 24d) may pop up. If this happens, clean the gap between this metal piece and the housing thoroughly and push the metal plate back so it is **flush against the housing**. Failure to clean and properly place the metal plate will cause the guide bar misalignment.



6. Attach the side cover to the housing so that the holes/pins and fastening bolt/thread hole are aligned with each other properly (Fig. 25). Lightly tighten the side-cover knob by turning it clockwise. The bar must be free to move for tension adjustment.

**NOTICE:** To extend the guide-bar life, invert the bar occasionally.

**⚠ WARNING:** The saw chain must be properly tensioned before using.

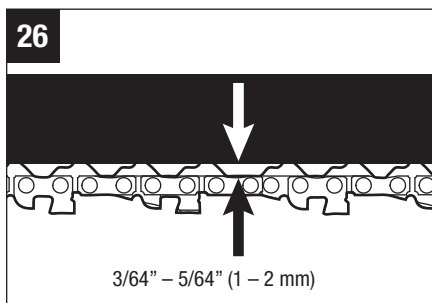
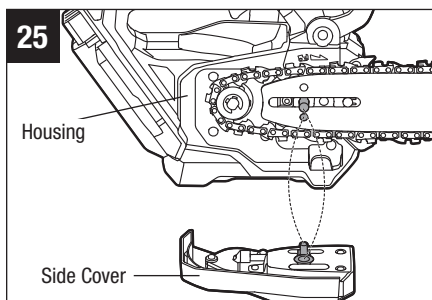
## ADJUSTING THE CHAIN TENSION

1. Make sure that the battery pack is removed.
2. Lift up the tip of the guide bar and keep it slightly lifted as you adjust the tension. Ensure that the guide bar has some movement; loosen the side-cover knob slightly, if necessary.
3. Turn the chain-tensioning knob clockwise to tighten or counterclockwise to loosen, until all chain sections are just touching the bottom edge of the guide.

### NOTE:

- A cold chain is correctly tensioned when there is no slack on the underside of the guide bar and the chain is snug, but it can be turned by hand without binding. The chain must be re-tensioned whenever the flats on the drive links do not sit in the bar groove.
- During normal saw operation, the temperature of the chain will increase. The drive links of a correctly tensioned warm chain will hang approximately  $3/64'' - 5/64''$  (1 – 2 mm) out of the bar groove (Fig. 26).

**NOTICE:** New chains tend to stretch. Check chain tension frequently and adjust tension as required.





**NOTICE:** A chain tensioned while it is warm may be too tight upon cooling. Check the cold tension before next use.

## CHAIN MAINTENANCE

**⚠ WARNING:** Always wear gloves when handling the saw chain. The chain is sharp and may contain burrs.

**⚠ WARNING:** Remove the battery pack before performing any maintenance. Failure to heed this warning could result in serious personal injury.

Only use low-kickback chains on this saw. This fast-cutting chain will provide kickback reduction when properly maintained.

A properly sharpened saw chain cuts through wood effortlessly, even with very little pressure. Never use a dull or damaged saw chain. A dull saw chain cutter leads to increased physical strain, increased vibration load, unsatisfactory cutting results and increased wear.

For smooth and fast cutting, the saw chain needs to be maintained properly. The chain requires sharpening when the wood chips are small and powdery, the chain must be forced through the wood during cutting, or the chain cuts to one side. During maintenance of your saw chain, consider the following:

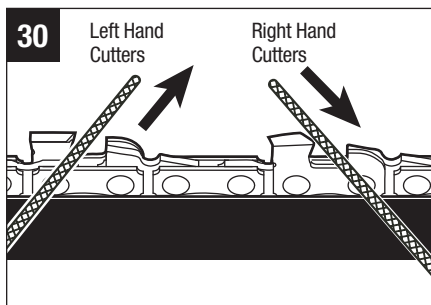
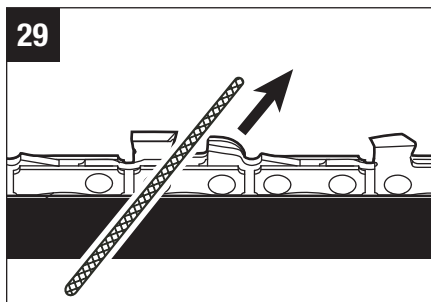
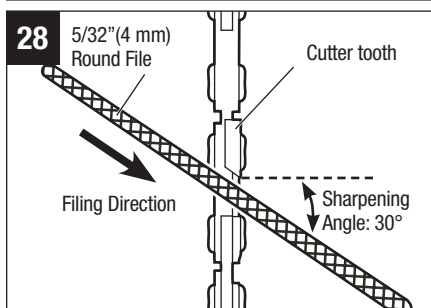
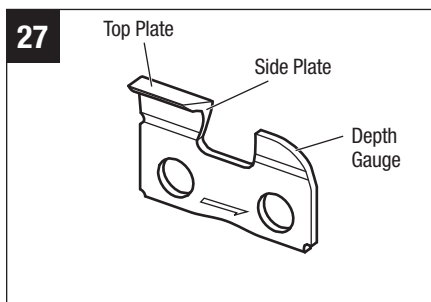
- Improper filing angle of the side plate can increase the risk of a severe kickback.
- Raker (depth gauge) clearance. Too low increases the potential for kickback. Not low enough decreases cutting ability.
- If cutter teeth have hit hard objects, such as nails and stones, or have been abraded by mud or sand on the wood, have the chain sharpened by a qualified service technician.

**NOTICE:** Inspect the drive sprocket for wear or damage when replacing the chain. If signs of wear or damage are present in the areas indicated, have the drive sprocket replaced by qualified service technician.

## How to Sharpen the Cutters

Be sure to file all cutters (Fig. 27) to the specified angles and to the same length, as fast cutting can be obtained only when all cutters are uniform.

1. Remove the battery pack. Wear gloves for protection.
2. Properly tension the chain prior to sharpening. Refer to the chapter **“ADJUSTING THE CHAIN TENSION”** earlier in this manual.
3. Use a 5/32" (4 mm) diameter round file and holder (available separately). Do all of your filing at the middle position of the guide bar.
4. Keep the file level with the top plate of the tooth. Do not let the file dip or rock.
5. Keep a correct sharpening angle of 30° between the file and the saw chain (see Fig. 28 & 29). Always use a file holder (available separately) when sharpening saw chains by hand. File holders have markings for the sharpening angle.
6. Using light but firm pressure, perform a stroke towards the front corner of the tooth. Lift the file away from the steel on each return stroke.
7. Make a few firm strokes on every tooth. File all left-hand cutters in one direction. Then move to the other side and file the right-hand cutters in the opposite direction. Occasionally remove filings from the file with a wire brush (Fig. 30).



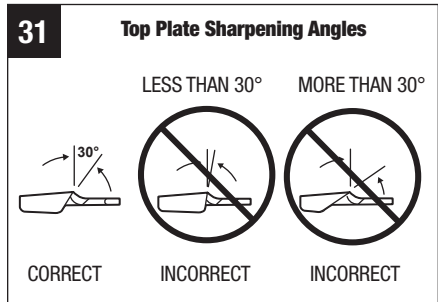
**⚠ WARNING:** A dull or improperly sharpened chain can cause excessive motor speed during cutting, which may result in severe motor damage.

**⚠ WARNING:** Improper chain sharpening increases the potential of kickback.

**⚠ WARNING:** Failure to replace or repair a damaged chain can cause serious injury.

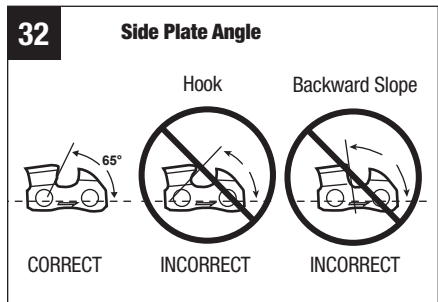
## Top Plate Sharpening Angles (Fig. 31)

- **CORRECT 30°** - This optimal angle can be obtained only when the specified files and proper setting are used. File holders are marked with guide marks to align the file properly to produce the correct top plate angle.
- **LESS THAN 30°** - The tooth is too dull for cutting.
- **MORE THAN 30°** - The edge of the cutting tooth is feathered and dulls quickly.



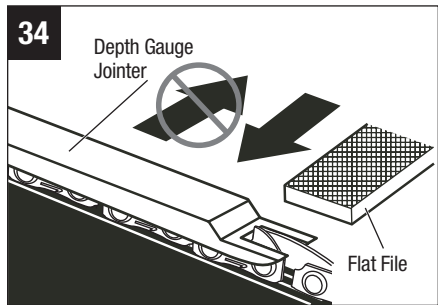
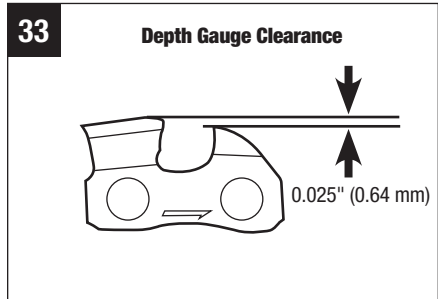
## Side Plate Angle (Fig. 32)

- **CORRECT 65°** - The optimal angle can be produced automatically if the correct diameter file is used in the file holder.
- **HOOK** - “Grabs” and dulls quickly. Increases potential of KICKBACK. Results from using a file with a diameter that is too small, or a file held too low.
- **BACKWARD SLOPE** - Needs too much feed pressure, causes excessive wear to bar and chain. Results from using a file with a diameter too large, or a file held too high.



## Depth-Gauge Clearance

1. The depth gauge should be maintained at a clearance of 0.025 in. (0.64 mm), as shown in Fig. 33. Use a depth gauge tool (available separately) to check the depth gauge clearances.
2. Check the depth-gauge clearance every time the chain is filed. Use a flat file and a depth-gauge jointer (both available separately) to lower all gauges uniformly (Fig. 34). Use a 0.025 in. (0.52 mm) depth-gauge jointer.
3. Depth-gauges must be adjusted with the flat file in the same direction the adjoining cutter was filed with the round file. Use care not to contact the cutter face with the flat file when adjusting depth gauges.



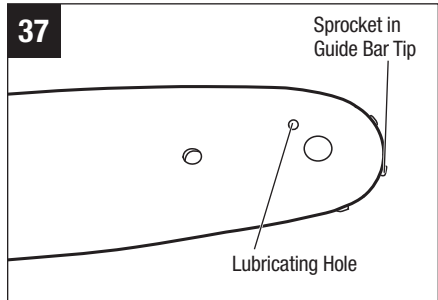
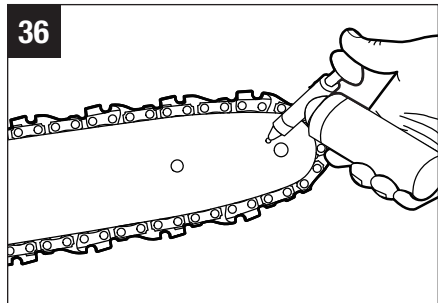
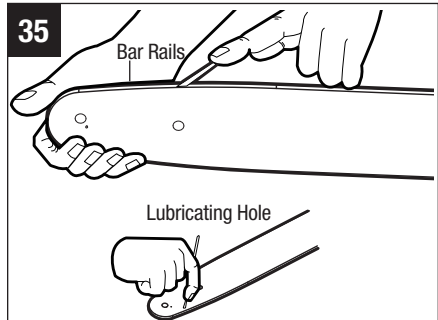
## GUIDE BAR MAINTENANCE

When the guide bar shows signs of wear, reverse it on the saw to distribute the wear for maximum bar life.

The bar should be cleaned every day after use and be checked for wear and damage (Fig. 35). Feathering or burring of the bar rails is a normal process of bar wear. Such faults should be smoothed with a file as soon as they occur. A bar with any of the following faults should be replaced.

- Wear inside the bar rails which permits the chain to lay over sideways.
- Bent guide bar.
- Cracked or broken rails.
- Spread rails.

The guide bar has a sprocket at its tip. The sprocket must be lubricated weekly with a grease syringe to extend the guide bar life (Fig. 36 & 37). Turn the nose sprocket while pumping grease into the lubricating hole until the entire sprocket has new grease. Do not push dirt into the hole.



## **TRANSPORTING AND STORING**

- Do not store or transport the chain saw when it is running. Always remove the battery pack before storing or transporting.
- Always place chain sheath on the guide bar and chain before storing or transporting the chain saw. Use caution to avoid the sharp teeth of the chain.
- Always carry the product by its front handle.
- Protect the product from any heavy impact or strong vibrations which may occur during transportation in vehicles.
- Secure the product to prevent it from slipping or falling over.
- Clean the chain saw thoroughly and empty the oil tank before storing. Store the chain saw indoors, in a dry place that is locked and/or inaccessible to children.
- Keep away from corrosive agents such as garden chemicals and de-icing salts.

# TROUBLESHOOTING

PROBLEM	CAUSE	SOLUTION
<p>Motor does not run.</p>	<ul style="list-style-type: none"> <li>■ The battery pack is not attached to the chain saw.</li> <li>■ No electrical contact between the saw and battery.</li> <li>■ The battery pack charge is depleted.</li> <li>■ The battery pack or chain saw is too hot.</li>   <li>■ The locking tongue is not depressed before pressing the trigger switch.</li> <li>■ Chain brake is engaged.</li>   <li>■ Saw chain is bound in the wood.</li> <li>■ Debris in bar groove.</li>   <li>■ Debris inside the side cover.</li>   <li>■ A 6.0Ah or higher Ah battery pack is used.</li> </ul>	<ul style="list-style-type: none"> <li>■ Attach the battery pack to the chain saw.</li> <li>■ Remove battery, check contacts and reinstall the battery pack.</li> <li>■ Charge the battery pack.</li>   <li>■ Allow the battery pack or power head to cool until the temperature drops to the recommended operating temperature range.</li> <li>■ Press down the locking tongue and hold it, then depress the trigger switch to turn on the chain saw.</li> <li>■ Pull the chain-kickback brake paddle backward toward the front handle (to the operating position).</li> <li>■ Release the trigger switch; remove the saw chain and guide bar from the wood, then restart the chain saw.</li> <li>■ Press the saw chain against the wood, move the chain saw back and forth to discharge the debris.</li> <li>■ Remove battery pack, then remove side cover and clean out debris.</li> <li>■ Use only with EGO batteries listed earlier in this manual.</li> </ul>

<b>PROBLEM</b>	<b>CAUSE</b>	<b>SOLUTION</b>
Chain saw stops unexpectedly during operation.	<ul style="list-style-type: none"><li>■ The chain saw is overloaded.</li><li>■ The battery pack or chain saw is too hot.</li><li>■ Saw chain is bound in the wood.</li></ul>	<ul style="list-style-type: none"><li>■ Decrease the load.</li><li>■ Allow the battery pack or chain saw to cool until the temperature drops to the recommended operating temperature range.</li><li>■ Release the trigger switch; remove the saw chain and guide bar from the wood, then restart the chain saw.</li></ul>
Motor runs, but chain does not rotate.	<ul style="list-style-type: none"><li>■ Chain does not engage drive sprocket.</li></ul>	<ul style="list-style-type: none"><li>■ Remove the battery pack and reinstall the chain, making sure that the drive links on the chain are fully seated on the sprocket.</li></ul>
Chain brake does not engage.	<ul style="list-style-type: none"><li>■ Debris preventing full movement of the chain-kickback brake paddle.</li><li>■ Possible chain brake malfunction.</li></ul>	<ul style="list-style-type: none"><li>■ Clean debris from external chain brake mechanism.</li><li>■ Stop using the chain saw immediately! Contact EGO Customer Service for repair.</li></ul>



PROBLEM	CAUSE	SOLUTION
Chain saw does not cut properly.	<ul style="list-style-type: none"> <li>■ Insufficient chain tension.</li> <li>■ Dull chain.</li> <li>■ Chain installed backwards.</li> <li>■ Worn chain.</li> <li>■ Dry or excessively stretched chain.</li> <li>■ Chain not in bar groove.</li> </ul>	<ul style="list-style-type: none"> <li>■ Tension the chain following the section “<b>ADJUSTING THE CHAIN TENSION</b>” until the chain is correctly tensioned.</li> <li>■ Sharpen the chain cutters, following the section: “<b>HOW TO SHARPEN THE CUTTERS</b>”.</li> <li>■ Remove the battery pack and reinstall the saw chain, following the section “<b>REPLACING THE BAR AND CHAIN</b>”</li> <li>■ Remove the battery pack and replace the chain following the section “<b>REPLACING THE BAR AND CHAIN</b>”.</li> <li>■ Check the oil level. Refill the oil tank if necessary.</li> <li>■ Remove the battery pack and reinstall the saw chain, following the section “<b>REPLACING THE BAR AND CHAIN</b>”.</li> </ul>
Chain becomes loose or drops off the guide bar during normal use.	<ul style="list-style-type: none"> <li>■ The chain will become loose as the temperature of the chain increases during normal saw operation.</li> <li>■ Chain does not engage drive sprocket.</li> </ul>	<ul style="list-style-type: none"> <li>■ Tension the chain following the section “<b>ADJUSTING THE CHAIN TENSION</b>” until the chain is correctly tensioned.</li> <li>■ Remove the battery pack and reinstall the chain, following the section “<b>REPLACING THE BAR AND CHAIN</b>”. Ensuring that the drive links on the chain are fully seated onto the sprocket.</li> </ul>

PROBLEM	CAUSE	SOLUTION
Bar and chain running hot and smoking.	<ul style="list-style-type: none"><li>■ Check chain tension for over-tightened condition.</li><li>■ Chain oil tank is empty.</li><li>■ Debris in guide bar groove.</li></ul>	<ul style="list-style-type: none"><li>■ Re-tension the saw chain following the section “<b>ADJUSTING THE CHAIN TENSION</b>” until the chain is correctly tensioned.</li><li>■ Fill the tank with bar and chain lubricant.</li><li>■ Clear the debris from the groove.</li></ul>



# EGO LIMITED WARRANTY

## WARRANTY POLICY TERMS AND DURATION

Chervon North America, Inc. (“Chervon North America”) provides the following Limited Warranty for EGO products to the original purchaser of EGO products.

The detailed warranty period for each EGO product can be found online at <http://egopowerplus.com/warranty-policy>.

**Please contact EGO Customer Service Toll-Free at 1-855-EGO-5656** any time you have questions or warranty claims.

## LIMITED SERVICE WARRANTY

EGO products are warranted against defects in material or workmanship from the date of original retail purchase for the applicable warranty period. For any properly and timely submitted warranty claim, if Chervon North America determines a product to be defective during the warranty period, the product will receive free repair or replacement as determined by Chervon North America.

## HOW TO OBTAIN SERVICE

For warranty service, within the applicable warranty period, please contact EGO customer service toll-free at **1-855-EGO-5656**. When requesting warranty service, you must present the original dated sales receipt. An authorized service center will be selected to evaluate and repair the product if defective according to the stated warranty terms. When bringing your product to the authorized service center, there may be a small deposit that will be required when dropping off your tool. This deposit is refundable when the repair service is deemed to be covered under warranty. The purchaser is responsible for transportation of any outdoor power equipment or attachments at their expense.



## ADDITIONAL LIMITATIONS & EXCLUSIONS

This limited warranty applies only to the original purchaser from an authorized EGO retailer and is not transferable. EGO products shall not be considered defective, and this warranty will not apply, where the claimed defect is attributable to any cause other than the above-defined defects. This warranty shall be void if the product has been used for rental purposes. This warranty shall not apply to damage caused by accident, abuse, misuse, alteration, modification, unauthorized repair, liquid contact, fire, earthquake or other external cause; operating the product outside EGO's instructions, specifications or guidelines; or failure to properly service or maintain the product. This warranty also does not apply to cosmetic damage, including but not limited to scratches or dents; defects caused by normal wear and tear or otherwise due to the normal aging of the product.

THIS EXPRESS WARRANTY IS GIVEN IN LIEU OF ALL OTHER WARRANTIES, EXPRESS OR IMPLIED, INCLUDING, BUT NOT LIMITED TO, ANY WARRANTIES OF MERCHANTABILITY OR FITNESS FOR PARTICULAR PURPOSE OR USE, WHICH ARE DISCLAIMED. Any implied warranties, including warranties of merchantability or fitness for a particular purpose, that cannot be disclaimed under state law are limited to the applicable warranty period defined at the beginning of this article. The sole and exclusive remedy in connection with the purchase, installation, use, and/or performance of the EGO products is repair or replacement of the product as determined by Chervon North America. Chervon North America's maximum liability shall not in any case exceed the purchase price paid for the product. CHERVON NORTH AMERICA SHALL NOT BE LIABLE TO THE USER OR TO ANYONE ELSE FOR CONSEQUENTIAL, INCIDENTAL, SPECIAL, EXEMPLARY, INDIRECT, OR PUNITIVE DAMAGES ARISING FROM USE OF THE PRODUCTS, INCLUDING BUT NOT LIMITED TO PERSONAL INJURY, DEATH, PROPERTY DAMAGE, LOST PROFITS, OR OTHER ECONOMIC INJURY. This warranty gives you specific legal rights, and you may also have other rights which vary from state to state. Some states do not allow limitations on how long an implied warranty lasts, the exclusion or limitation of incidental or consequential damages, or the limitations on time to bring certain actions, so such limitations contained herein do not apply to individual consumers in those states.

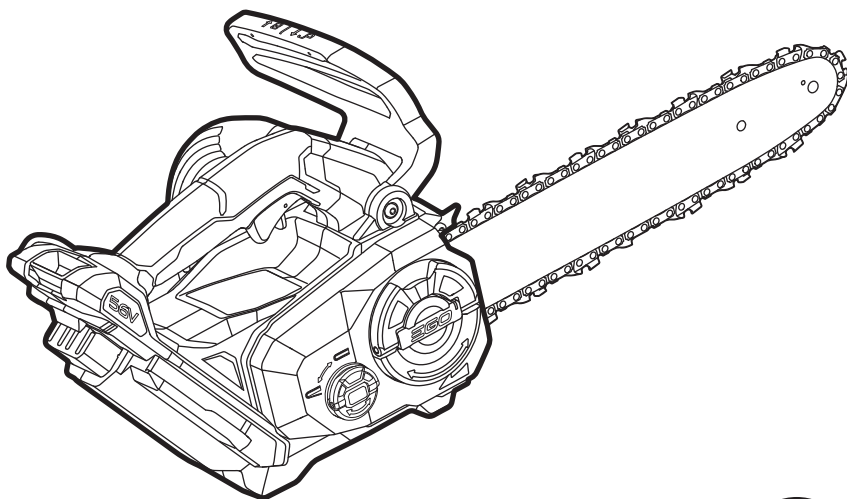
This warranty is subject to and shall be interpreted according to Michigan law without regard to principles of conflicts of laws. No legal action shall be brought against Chervon North America unless filed within one (1) year after the basis for such legal action becomes known, or with the exercise of reasonable diligence should have become known. Any action not timely filed shall be deemed waived.

For customer service contact us toll-free at: **1-855-EGO-5656** or **EGOPOWERPLUS.COM**.

EGO Customer Service  
769 Seward Ave. NW, Suite 102  
Grand Rapids, Michigan 49504.

# EGO™

POWER<sup>+</sup> CHAIN SAW™



GUIDE D'UTILISATION

## SCIE À CHAÎNE COMPACTE

## 12" SANS FIL

NUMÉRO DE MODÈLE CS1200/CS1200-FC

**⚠ AVERTISSEMENT :** Afin de réduire les risques de blessure, l'utilisateur doit lire et comprendre le guide d'utilisation avant d'utiliser ce produit. Conservez le présent guide afin de pouvoir le consulter ultérieurement.

# LISEZ TOUTES LES INSTRUCTIONS!



LISEZ LE MODE D'EMPLOI ET  
ASSUREZ-VOUS QUE VOUS LE COMPRENEZ

Symboles de sécurité .....	51
Symboles .....	52-53
Avertissements généraux sur la sécurité de la machine.....	54-58
Consignes de sécurité pour les scies à chaîne .....	58-65
Consignes de sécurité supplémentaires .....	65-66
Introduction .....	66
Caractéristiques techniques .....	67
Liste des pièces .....	67
Description .....	68-70
Assemblage .....	71
Fonctionnement.....	72-82
Maintenance .....	83-93
Dépannage .....	94-97
Garantie limitée EGO .....	98-100

# SYMBOLES DE SÉCURITÉ

L'objectif des symboles de sécurité est d'attirer votre attention sur les dangers potentiels. Vous devez examiner attentivement et bien comprendre les symboles de sécurité et les explications qui les accompagnent. Les symboles d'avertissement en tant que tels n'éliminent pas le danger. Les consignes et les avertissements qui y sont associés ne remplacent en aucun cas les mesures préventives adéquates.

**⚠ AVERTISSEMENT:** Assurez-vous de lire et de comprendre toutes les consignes de sécurité présentées dans le présent mode d'emploi, notamment toutes les consignes de sécurité indiquées par « **DANGER** », « **AVERTISSEMENT** » et « **MISE EN GARDE** ». Le non-respect des consignes de sécurité ci-dessous peut occasionner une décharge électrique, un incendie ou des blessures graves.

Les définitions ci-dessous décrivent le niveau de gravité pour chaque terme signalant un danger. Veuillez lire le mode d'emploi et regarder la signification de ces symboles	
	C'est le symbole d'alerte relatif à la sécurité. Il est utilisé pour vous avertir de l'existence possible d'un danger de lésion corporelle. Obéissez à tous les messages relatifs à la sécurité qui suivent ce symbole pour éviter tout risque de blessure ou même de mort.
	<b>DANGER</b> indique une situation dangereuse qui, si elle n'est pas évitée, causera la mort d'une personne ou une blessure grave.
	<b>AVERTISSEMENT</b> indique une situation dangereuse qui, si elle n'est pas évitée, pourrait causer la mort d'une personne ou une blessure grave.
	<b>MISE EN GARDE</b> , conjointement avec le symbole d'alerte en liaison avec la sécurité, indique une situation dangereuse qui, si elle n'est pas évitée, causera une blessure légère ou modérée.

## MESSAGES D'INFORMATION ET DE PRÉVENTION DES DOMMAGES

Ils informent l'utilisateur d'informations et/ou d'instructions importantes qui pourraient entraîner des dommages matériels ou aux équipements s'ils ne sont pas suivis. Chaque message est précédé par le terme « **AVIS** », comme dans l'exemple ci-dessous :



**AVIS :** Un dommage matériel et/ou aux équipements peut survenir si ces instructions ne sont pas suivies.

## SYMBOLES

Vous trouverez ci-dessous les symboles de sécurité qui peuvent être présents sur le produit, accompagnés de leur description. Vous devez lire, comprendre et suivre toutes les instructions présentes sur la machine avant de commencer à l'assembler ou à l'utiliser.

	Alerte de sécurité	Précautions concernant votre sécurité.
	Assurez-vous de lire et de comprendre le mode d'emploi	Pour réduire le risque de blessure, l'utilisateur doit lire et comprendre le mode d'emploi avant de commencer à utiliser ce produit.
	Portez des lunettes de sécurité.	Portez toujours des lunettes de protection ou des lunettes de sécurité à écrans latéraux et un masque couvrant tout le visage lors de l'utilisation de ce produit.
	Portez des protecteurs d'oreilles.	Le bruit émis par la scie à chaîne peut endommager votre ouïe. Portez toujours un dispositif de protection des oreilles (protège-oreilles ou bouchons d'oreilles) pour protéger votre ouïe.
	Portez un casque.	Portez un casque dur de sécurité agréé pour protéger votre tête.
	Portez des gants de protection.	Protégez vos mains avec des gants lorsque vous touchez la scie et la chaîne de la scie. Des gants épais et antidérapants améliorent votre préhension et protègent vos mains.
	Portez des chaussures de sécurité	Portez des chaussures de sécurité antidérapantes lorsque vous utilisez cet équipement.
	Choc en retour de la pointe de la barre de guidage	Un tel contact de la pointe peut causer un mouvement soudain de la barre de guidage vers le haut et vers l'arrière, ce qui risquerait de causer des blessures graves.



	Préhension avec les deux mains	Tenez toujours la scie à chaîne des deux mains lorsque vous l'utilisez.
IP...	Indice de protection pour la pénétration	Classifie le degré de protection fourni par une enceinte pour le matériel électrique.
	Courant continu (c.c.)	Type de courant ou caractéristique de courant
V	Volt	Tension
mm	Millimètre	Longueur ou taille
cm	Centimètre	Longueur ou taille
ft	pi	Longueur ou taille
in.	po	Longueur ou taille
kg	Kilogramme	Poids
lb	lb	Poids
ml	Millilitre	Volume
fl.oz	Once liquide	Volume
°C	Degrés Celsius	Température
°F	Degrés Fahrenheit	Température

# AVERTISSEMENTS GÉNÉRAUX SUR LA SÉCURITÉ DE LA MACHINE

**⚠ AVERTISSEMENT !** Lisez tous les avertissements, instructions, illustrations et spécifications fournis avec cet outil électrique. Le non-respect des consignes de sécurité ci-dessous peut occasionner un choc électrique, un incendie ou des blessures graves.

**Conservez tous les avertissements et toutes les instructions afin de pouvoir les consulter ultérieurement.**

Le terme « machine » dans les avertissements fait référence à votre machine à cordon électrique branché dans une prise secteur ou à votre machine à piles (sans fil).

## SÉCURITÉ DE L'AIRE DE TRAVAIL

- **Maintenez l'aire de travail propre et bien éclairée.** Les aires de travail sombres et encombrées sont propices aux accidents.
- **N'utilisez pas d'outils électriques dans un milieu explosif, par exemple en présence de liquides, de vapeurs ou de poussières inflammables.** Les outils électriques produisent des étincelles susceptibles d'enflammer ces poussières ou ces vapeurs.
- **Gardez les enfants et les autres personnes à l'écart lorsque vous utilisez un outil électrique.** Une distraction peut vous faire perdre la maîtrise de l'outil.

## Sécurité électrique

- **Les fiches de la machine doivent correspondre à la prise de courant. Ne modifiez jamais la fiche de quelque façon que ce soit. N'utilisez pas d'adaptateurs de fiches avec des machines mises à la terre (à la masse).** L'emploi de fiches non modifiées et de prises de courant correspondant naturellement aux fiches réduira le risque de choc électrique.
- **Évitez tout contact de votre corps avec des surfaces mises à la terre ou à la masse, telles que des surfaces de tuyaux, de radiateurs, de cuisinières et de réfrigérateurs.** Il existe un risque accru de choc électrique si votre corps est en contact avec la terre ou la masse.
- **N'exposez pas les machines à la pluie ou à l'humidité.** La pénétration d'eau dans une machine augmentera le risque de choc électrique.

- **N'utilisez pas le cordon de façon abusive. N'utilisez jamais le cordon pour porter, tirer ou débrancher l'outil électrique. Tenez le cordon à distance de toute source de chaleur, d'huile, de bords tranchants ou de pièces mobiles.** Des cordons endommagés ou entortillés augmentent le risque de choc électrique.
- **Lorsque vous utilisez un outil électrique à l'extérieur, employez un cordon de rallonge approprié pour un emploi à l'extérieur.** L'utilisation d'un cordon approprié pour une utilisation à l'extérieur réduit le risque de choc électrique.
- **S'il est inévitable d'utiliser un outil électrique dans un environnement humide, utilisez une alimentation protégée par un disjoncteur avec circuit de fuite à la terre (GFCI).** L'utilisation d'un circuit GFCI réduit le risque de choc électrique.

## SÉCURITÉ PERSONNELLE

- **Soyez vigilant, prêtez attention à ce que vous faites et usez de votre jugement lorsque vous utilisez un outil électrique. N'utilisez pas un outil électrique lorsque vous êtes fatigué ou sous l'effet de drogues, d'alcool ou de médicaments.** Un moment d'inattention pendant que vous utilisez des outils électriques peut occasionner des blessures graves.
- **Utilisez des équipements de protection personnelle. Portez toujours des équipements de protection des yeux.** Des équipements de protection tels qu'un masque de protection contre la poussière, des chaussures de sécurité antidérapantes, un casque ou un dispositif de protection de l'ouïe utilisés en fonction des conditions réduiront le nombre des blessures.
- **Prenez des mesures afin d'éviter que l'outil se mette en marche accidentellement. Assurez-vous que l'interrupteur est sur la position d'arrêt avant de brancher l'outil sur un bloc-piles, de le ramasser ou de le transporter.** Transporter les outils électriques avec le doigt sur l'interrupteur ou brancher les outils lorsque l'interrupteur est en position de marche augmente les risques d'accident.
- **Retirez toutes les clés de réglage de l'outil électrique avant de le mettre en marche.** Une clé de réglage oubliée sur une pièce mobile de l'outil électrique peut entraîner des blessures.
- **Ne vous étirez pas pour étendre votre portée.** Gardez une posture sécuritaire et un bon équilibre en tout temps. Cela permet de mieux contrôler l'outil électrique dans des situations inattendues.
- **Habillez-vous convenablement. Ne portez pas de vêtements amples ni de**

**bijoux. Gardez vos cheveux et vos vêtements loin des pièces mobiles.** Les vêtements amples, les bijoux et les cheveux longs risquent de se prendre dans les pièces en mouvement.

- **Si un dispositif permet de raccorder un dépoussiéreur, assurez-vous que celui-ci est branché et utilisé de manière appropriée.** L'emploi d'un dépoussiéreur contribue à réduire les dangers liés à la poussière.
- **Même si vous connaissez parfaitement ces outils parce que vous les utilisez souvent, soyez vigilant et respectez les principes de sécurité.** Il suffit d'être négligent une fraction de seconde pour se blesser gravement.

## Utilisation et entretien de la machine

- **Ne forcez pas l'outil électrique. Utilisez l'outil électrique approprié à la tâche que vous souhaitez accomplir.** L'utilisation de l'outil électrique approprié permet d'obtenir de meilleurs résultats, de façon plus sécuritaire, selon le régime de fonctionnement prévu.
- **N'utilisez pas l'outil électrique si l'interrupteur ne fonctionne pas.** Tout outil électrique qui ne peut être commandé au moyen de l'interrupteur est dangereux et doit être réparé.
- **Débranchez la fiche de la prise secteur et/ou retirez le bloc-piles de la machine (s'il est amovible) avant d'y apporter de quelconques modifications, de changer d'accessoire ou de ranger la machine.** De telles mesures de sécurité préventives réduisent le risque de démarrage accidentel de la machine.
- **Rangez l'outil électrique à l'arrêt hors de la portée des enfants et n'autorisez pas une personne ne sachant pas s'en servir ou n'ayant pas lu ces instructions à l'utiliser.** Les outils électriques sont dangereux s'ils se retrouvent entre les mains d'utilisateurs qui ne savent pas s'en servir.
- **Entretenez les outils électriques et les accessoires. Vérifiez les pièces mobiles pour vous assurer qu'elles ne sont pas désalignées, enrayées, brisées, ou dans un état qui pourrait nuire à leur fonctionnement.** Si l'outil électrique est endommagé, faites-le réparer avant de l'utiliser. De nombreux accidents sont provoqués par des outils électriques et des accessoires mal entretenus.
- **Gardez vos outils tranchants affûtés et propres.** Des outils tranchants bien entretenus et dont les lames sont affûtées risquent moins de se bloquer et sont plus faciles à maîtriser.

- **Utilisez l'outil électrique, les accessoires, les embouts ou autres conformément aux instructions, en tenant compte des conditions de travail et du travail à effectuer.** L'utilisation de l'outil électrique à des fins autres que celles auxquelles il est destiné pourrait entraîner une situation dangereuse.
- **Gardez les poignées et les surfaces de préhension propres, sèches et exemptes de toute trace d'huile ou de graisse.** Les poignées et les surfaces de préhension glissantes ne permettent pas une manipulation et un contrôle sûrs de la machine dans des situations inattendues.

## Utilisation et entretien des machines à piles

- **Rechargez uniquement le bloc-piles à l'aide du chargeur approuvé par le fabricant.** Un chargeur conçu pour un type de bloc-piles peut causer un incendie s'il est utilisé avec un autre bloc-piles.
- **Utilisez les outils électriques uniquement avec les blocs-piles désignés.** L'utilisation de tout autre bloc-piles peut constituer un risque de blessure et d'incendie.
- **Lorsque vous n'utilisez pas le bloc-piles, conservez-le à l'écart d'autres objets métalliques, comme des trombones, des pièces de monnaie, des clés, des clous, des vis et d'autres petits objets métalliques qui peuvent connecter une borne à une autre.** Un court-circuit entre les bornes du bloc-piles peut occasionner des brûlures ou un incendie.
- **Dans de mauvaises conditions, un liquide peut être éjecté du bloc-piles; évitez tout contact avec celui-ci. En cas de contact accidentel, rincez à grande eau. Si vos yeux entrent en contact avec ce liquide, consultez un médecin.** Le liquide provenant des piles peut causer de l'irritation ou des brûlures.
- **N'utilisez pas un bloc-piles ou un outil endommagé ou modifié.** Les blocs-piles modifiés ou endommagés peuvent fonctionner de façon imprévisible et présenter un risque d'incendie, d'explosion ou de blessures.
- **N'exposez pas un bloc-piles ou un outil à un feu ou à une température excessive.** L'exposition au feu ou à une température supérieure à 100 °C (212 °F) peut provoquer une explosion.
- **Suivez toutes les instructions pour la charge et ne chargez pas le bloc-piles ou l'outil en dehors de la plage de température précisée dans les instructions.** Une recharge inadéquate ou effectuée à des températures en dehors de la plage précisée peut endommager le bloc-piles et augmenter le risque d'incendie.

## SERVICE APRÈS-VENTE

- **Demandez à un technicien qualifié qui utilise seulement des pièces de rechange identiques aux pièces d'origine d'effectuer l'entretien de votre outil électrique.** Vous vous assurerez ainsi que l'outil électrique demeure sécuritaire.
- **Ne réparez jamais un bloc-piles endommagé.** Seuls le fabricant et les fournisseurs de services autorisés peuvent effectuer la réparation d'un bloc-piles.

## CONSIGNES DE SÉCURITÉ POUR LES SCIES À CHAÎNE

- **Gardez toutes les parties de votre corps à une distance suffisante de la chaîne de la scie lorsque la scie à chaîne est en marche. Avant de mettre la scie à chaîne en marche, assurez-vous qu'elle n'est pas en contact avec un quelconque objet.** Un simple moment d'inattention pendant que vous utilisez une scie à chaîne pourrait causer l'enchevêtrement d'un de vos vêtements ou de votre corps avec la chaîne de la scie.
- **Tenez toujours la scie à chaîne avec votre main droite placée sur la poignée arrière et votre main gauche sur la poignée avant.** Le fait de tenir la scie à chaîne dans une configuration caractérisée par l'inversement de la position des mains augmenterait le risque de blessure. Il ne faut donc jamais tenir la scie dans une telle configuration des mains.
- **Tenez l'outil électrique uniquement par les poignées protégées, car la chaîne de la scie pourrait entrer en contact avec un câblage caché.** Si la chaîne entre en contact avec un câble alimenté pendant que l'appareil est en marche, cela risque d'exposer les pièces métalliques de l'outil électrique et d'occasionner un choc électrique à l'utilisateur.
- **Portez des lunettes de sécurité et des protections auditives. Des protections pour la tête, les mains, les jambes et les pieds sont aussi recommandées.** Des vêtements de protection adéquats réduisent les risques de blessures provoquées par la projection de débris ou par un contact accidentel avec la chaîne de la scie.
- **N'utilisez pas de scie à chaîne si vous êtes dans un arbre, sur une échelle, sur un toit ou sur un quelconque support instable.** L'utilisation d'une scie à chaîne de cette manière peut occasionner des blessures graves.

- **Maintenez toujours des appuis fermes et n'utilisez la scie à chaîne que lorsque vous vous tenez sur une surface fixe, sécurisée et de niveau.** Des surfaces glissantes ou instables, comme une échelle, peuvent occasionner une perte d'équilibre ou une perte de contrôle de la scie à chaîne.
- **Lorsque vous coupez une branche soumise à une tension, prenez garde à sa détente.** Quand la tension des fibres de bois se relâche, la branche peut venir vous frapper ou vous faire perdre le contrôle de la scie à chaîne.
- **Faites très attention lorsque vous coupez du sous-bois ou de jeunes arbres.** Leur matériau souple pourrait coincer dans la chaîne de la scie et être envoyé dans votre direction ou encore tirer et vous faire perdre l'équilibre.
- **Pour transporter la scie à chaîne, éteignez-la et tenez-la éloignée de votre corps par la poignée avant. Installez toujours la gaine de la chaîne avant de transporter ou de ranger la scie.** Une manipulation appropriée de l'ascie réduit les risques de contacts accidentels avec la chaîne en mouvement.
- **Suivez les instructions pour le graissage, le réglage de la tension de la chaîne et le changement de la barre et de la chaîne.** Une mauvaise tension ou une mauvaise lubrification peut entraîner le bris de la chaîne ou augmenter le risque de rebond.
- **Ne coupez que du bois. N'utilisez pas la scie à chaîne pour des tâches autres que celles pour lesquelles elle a été conçue. Par exemple, ne l'utilisez pas pour couper du métal, du plastique, des matériaux de maçonnerie ni des matériaux de construction non faits de bois.** L'utilisation d'une scie à chaîne pour des tâches pour lesquelles elle n'a pas été conçue pourrait créer une situation dangereuse.
- **Cette scie à chaîne n'est pas destinée à l'abattage d'arbres.** L'utilisation de la scie à chaîne pour des opérations différentes de celles prévues peut entraîner des blessures graves pour l'opérateur ou les personnes à proximité.
- **Suivez toutes les instructions pour dégager les matériaux coincés, ranger la scie à chaîne ou en faire l'entretien. Assurez-vous que l'interrupteur est éteint et que le bloc-piles est retiré.** Une mise en marche inattendue de la scie à chaîne pendant que l'opérateur s'efforce d'en retirer des déchets coincés ou d'effectuer une opération d'entretien pourrait causer une blessure grave.
- **Ne tentez pas d'abattre un arbre avant d'avoir compris les risques qui y sont associés et la façon de les éviter.** L'abattage d'un arbre pourrait causer des blessures graves à l'utilisateur ou aux gens à proximité.
- Les personnes qui utilisent l'appareil pour la première fois doivent, au minimum, s'entraîner à couper des bûches sur un chevalet ou un support de sciage.

## **CAUSES DES CHOCS EN RETOUR, ET PRÉVENTION DE TELS CHOCS PAR L'OPÉRATEUR**

Un choc en retour peut se produire lorsque la pointe ou l'extrémité de la barre de guidage entre en contact avec un objet, ou quand le bois coupé cause un pincement de la chaîne.

Dans certains cas, le contact de la pointe peut causer un effet de rebond projetant la barre de guidage vers le haut et vers l'arrière, en direction de l'opérateur.

Le pincement de la chaîne de la scie le long du haut de la barre de guidage peut pousser très vite la barre de guidage vers l'arrière, dans la direction de l'opérateur.

L'une quelconque de ces réactions peut vous faire perdre le contrôle de la scie, ce qui pourrait causer des blessures graves. Ne comptez pas exclusivement sur les mécanismes de sécurité incorporés à votre scie. En tant qu'utilisateur de la scie à chaîne, il vous incombe de prendre certaines mesures pour éviter les accidents ou les blessures lorsque vous vous servez de cette scie.

Le rebond est la conséquence d'une utilisation incorrecte de la scie et/ou de conditions inappropriées ou de procédures opérationnelles incorrectes ; il peut être évité en prenant des précautions appropriées, comme cela est indiqué ci-dessous :

- **Maintenez une prise ferme, avec les pouces et les doigts autour des poignées de la scie à chaîne, avec les deux mains sur la scie et en positionnant votre corps et votre bras de façon à vous permettre de résister à la force d'un choc en retour.** L'opérateur peut contrôler les forces de l'effet de rebond s'il prend des précautions appropriées. Ne cessez jamais de tenir fermement la scie à chaîne.
- **Ne vous penchez pas excessivement en avant et ne coupez pas plus haut que la hauteur de vos épaules.** Ceci contribue à prévenir un contact accidentel avec la pointe et assure un meilleur contrôle de la scie à chaîne dans des situations inattendues.
- **N'utilisez que des barres de guidage et des chaînes de remplacement qui sont spécifiées par le fabricant.** Des barres et des chaînes de remplacement incorrectes pourraient causer la cassure de la chaîne et/ou un effet de rebond.
- **Suivez les instructions du fabricant pour l'affûtage et la maintenance de la chaîne de la scie.** La réduction de la hauteur de la jauge de profondeur peut causer des risques accrus de choc en retour.



## DISPOSITIFS DE PROTECTION CONTRE LES CHOCS EN RETOUR SUR CETTE SCIE À CHAÎNE

### Frein de la chaîne

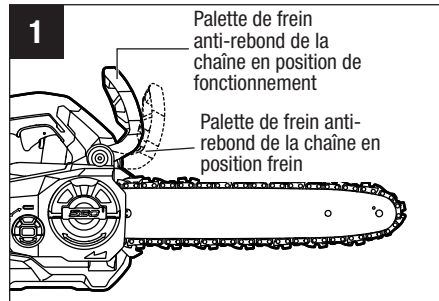
La scie à chaîne est munie d'un frein de chaîne qui arrête à la fois le moteur et le mouvement de la chaîne en cas de choc en retour. Le frein de la chaîne peut être activé par le mouvement vers l'avant de la palette du frein anti-rebond de la chaîne lorsque la scie tourne vers l'arrière pendant le rebond ; il peut également être activé par les forces d'inertie qui sont produites pendant un refoulement rapide.

**⚠ AVERTISSEMENT :** Ne modifiez jamais, ou ne tentez jamais de désactiver, le frein de la chaîne.

Assurez-vous que le frein de la chaîne fonctionne correctement avant de commencer à utiliser la scie à chaîne. La palette du frein anti-rebond de la chaîne doit pouvoir avancer et reculer facilement.

Pour tester le fonctionnement du frein de la chaîne, suivez la procédure ci-dessous (Fig. 1) :

- Placez la scie à chaîne sur une surface plate nue et assurez-vous qu'il n'y a pas dans les environs immédiats d'objets ou d'obstructions qui pourraient entrer en contact avec la barre et la chaîne.
- Désengagez le frein de la chaîne en tirant sur la poignée du frein anti-rebond de la chaîne pour le rapprocher de la poignée avant.
- Mettez la scie à chaîne en marche.
- Poussez la palette du frein anti-rebond de la chaîne vers l'avant de la scie. Un frein à main fonctionnant correctement arrêtera



immédiatement le mouvement de la chaîne. Si le frein de la chaîne ne fonctionne pas correctement, n'utilisez pas la scie à chaîne avant de l'avoir fait réparer par un technicien de service compétent.

**⚠ AVERTISSEMENT :** Confirmez que le frein de la chaîne fonctionne correctement avant chaque utilisation.

**⚠ AVERTISSEMENT :** Si le frein de la chaîne est obstrué par des copeaux de bois, il risque de fonctionner de façon inadéquate à la longue. Nettoyez régulièrement ce dispositif.

## Chaîne de scie à faible rebond

Les guides de profondeur situés devant chaque gouge peuvent réduire au minimum la force d'un rebond en empêchant les gorges de creuser trop profondément à l'endroit où survient ce rebond. N'utilisez qu'une chaîne de rechange équivalente à la chaîne d'origine ou homologuée chaîne à faible rebond selon la norme ANSI B175.1.

Une chaîne de scie à faible rebond est une chaîne qui satisfait aux exigences en matière de rebonds de la norme ANSI B175.1 (la norme de l'American National Standard relative aux outils électriques – Exigences de sécurité des scies à chaîne à essence) lors d'essais sur l'échantillon représentatif de scies à chaîne décrit dans la norme ANSI B175.1, sous 3.8 c.i.d.

Le maillon d'entraînement du butoir (Figure 2) aide également à offrir un rendement à faible rebond.

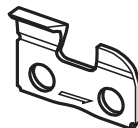
**⚠ MISE EN GARDE :** Au fur et à mesure qu'elles sont affûtées au cours de leur vie utile, les chaînes de scie perdent une partie de leurs propriétés anti-rebond et doivent être utilisées avec davantage de précautions.

## BARRE DE GUIDAGE

La présente scie est équipée d'une barre de guidage avec une extrémité à faible rayon. Les extrémités à faible rayon ont moins tendance à rebondir. Lors du remplacement de la barre de guidage, assurez-vous de vous procurer la barre de guidage indiquée dans le présent mode d'emploi.

**2**

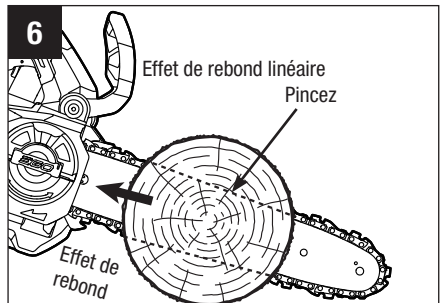
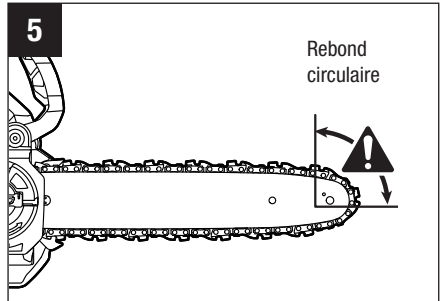
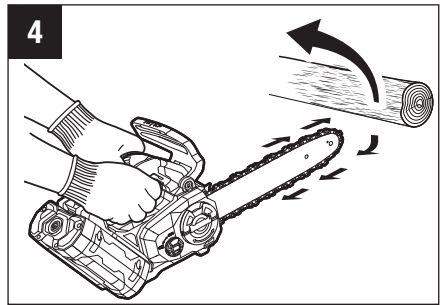
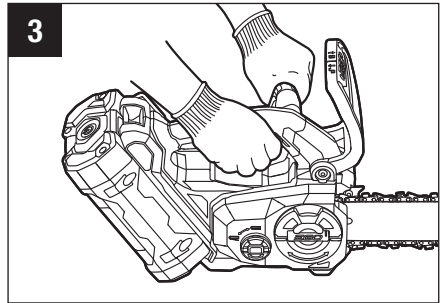
Maillon  
d'entraînement du  
butoir



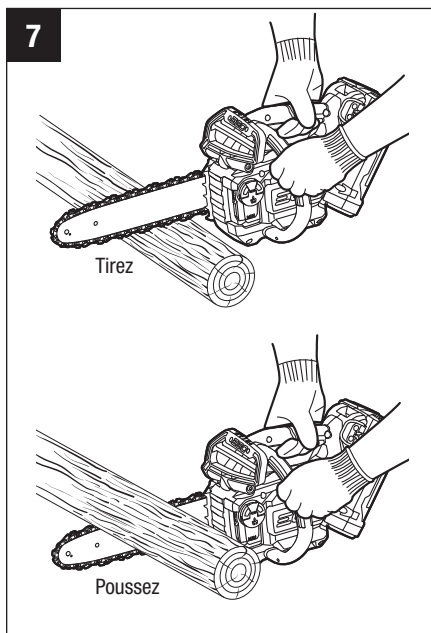
Type d'outil de  
coupe

## AVERTISSEMENTS SUPPLÉMENTAIRES

- **Une compréhension élémentaire des rebonds (Fig. 3 à 5) vous permettra de réduire ou d'éliminer l'élément de surprise.** La surprise contribue aux accidents.
- **Assurez-vous que la zone dans laquelle vous faites la coupe est dépourvue d'obstacles.** Assurez-vous que le bout de la barre de guidage ne rencontre ni bûche, ni branche, ni clôture, ni tout autre obstacle pendant que vous manipulez la scie.
- **Inspectez la pièce à travailler avant la coupe pour repérer tout clou, câble ou autre corps étranger.**
- **Gardez une posture sécuritaire et un bon équilibre en tout temps.**
- **Une scie à chaîne doit être utilisée à deux mains.** Manipuler la scie avec une seule main pourrait occasionner des blessures graves à l'utilisateur et aux personnes se trouvant à proximité (Fig. 3).
- **L'outil doit toujours tourner à pleine vitesse lors des coupes.** Enfoncez complètement la gâchette et conservez la vitesse de coupe.



- **Poussée et traction** – La force d'un rebond va toujours dans la direction opposée à celle de la chaîne à l'endroit où le contact avec le bois a lieu. Cela veut dire que vous devez être prêt à contrôler la TRACTION lorsque vous coupez à l'aide du bord inférieur de la barre de guidage et que vous devez résister à la POUSSÉE lorsque vous coupez le long du bord supérieur de la barre de guidage (Fig. 7).



- **Évitez tout contact involontaire avec la chaîne de la scie immobile ou la rainure de la barre de guidage.** Elles peuvent être très coupantes. Portez toujours des gants et des pantalons ou des jambières de protection pour manipuler la scie à chaîne, la chaîne de la scie ou la barre de guidage.

- **N'utilisez jamais une scie à chaîne endommagée, mal ajustée ou qui n'est pas assemblée complètement et de façon sécuritaire.** Assurez-vous que la chaîne de la scie s'immobilise quand vous relâchez la gâchette.
- **Lors du tronçonnage, fixez la pièce avant de la couper. Lors de l'élagage, identifiez et fixez les branches dangereuses.**
- **Une coupe mal exécutée, effectuée avec brusquerie ou un usage inapproprié de la scie à chaîne pourraient user prématurément la barre de guidage, la chaîne ou le pignon d'entraînement et occasionner le bris de ces éléments (donnant lieu à des rebonds), le déraillement de la chaîne ou l'éjection de matériaux.**
- **N'utilisez jamais la barre de guidage comme un levier.** Une barre de guidage pliée peut entraîner l'usure prématurée de cette barre, de la chaîne et du pignon d'entraînement, ou encore le bris de la chaîne et de la barre de guidage, ce qui pourrait donner lieu à des rebonds, au déraillement de la chaîne et à l'éjection de matériaux.
- **Ne coupez qu'une pièce à travailler à la fois.**

**REMARQUE : Cette scie ne fonctionnera pas avec des batteries EGO de grande capacité. Seules les batteries suivantes sont compatibles avec cette scie :**

BLOC-PILE
BA1400, BA1400-FC, BA2800, BA2800-FC, BA1400T, BA1400T-FC, BA2242T, BA2242T-FC, BA2800T, BA2800T-FC

- **À utiliser uniquement avec les chargeurs répertoriés ci-dessous :**

CHARGEUR
CH2100, CH2100-FC, CH3200, CH3200-FC, CH5500, CH5500-FC, CH2800D, CH2800D-FC, CH7000, CH7000-FC, CH7000T, CH7000T-FC

- **Ne rechargez pas le bloc-piles sous la pluie ni dans un endroit mouillé.**
- **S'il se produit une situation qui ne figure pas dans le présent mode d'emploi, faites preuve de prudence et de jugement. Communiquez avec le centre de service EGO pour obtenir de l'aide.**

## CONSIGNES DE SÉCURITÉ SUPPLÉMENTAIRES

**⚠ AVERTISSEMENT :** Le perçage, le sciage, le ponçage ou l'usinage de produits en bois peuvent vous exposer à de la poussière de bois, une substance qui, selon l'État de Californie, est susceptible de causer des cancers. Évitez d'inhaler de la sciure de bois, ou utilisez un masque antipoussière ou d'autres dispositifs de protection individuelle. Pour obtenir plus d'informations, rendez-vous sur le site [www.P65Warnings.ca.gov/wood](http://www.P65Warnings.ca.gov/wood).

**⚠ AVERTISSEMENT :** Des travaux de ponçage, de sciage, de meulage et de perçage réalisés avec un outil électrique et d'autres travaux de construction peuvent produire des poussières qui, selon l'État de Californie, contiennent des produits chimiques qui sont des causes reconnues de cancer, de malformation congénitale ou d'autres problèmes reproductifs. Ces produits chimiques sont, par exemple :

- du plomb provenant de peinture au plomb,
- des cristaux de silice provenant des briques et du ciment, ou d'autres produits de maçonnerie, et
- de l'arsenic et du chrome provenant de bois de construction traité par des produits

chimiques.

Le niveau de risque causé par de telles expositions varie en fonction de la fréquence de ces types de travaux. Pour réduire votre exposition à ces produits chimiques :

- Travaillez toujours dans un endroit bien ventilé.
- Portez un équipement de sécurité approprié tel que certains masques conçus spécialement pour filtrer les particules microscopiques.
- Évitez tout contact prolongé avec la poussière produite par le ponçage, le sciage, le meulage, le perçage et d'autres activités de construction avec des outils électriques. Portez des vêtements de protection et lavez les surfaces de la peau ayant été exposées avec de l'eau et du savon. Si vous laissez de la poussière pénétrer dans votre bouche ou dans vos yeux, ou rester sur votre peau, cela risquerait de promouvoir l'absorption de produits chimiques toxiques.

**CONSERVEZ CES INSTRUCTIONS!**

## INTRODUCTION

Nous vous félicitons d'avoir choisi la nouvelle génération de scie à chaîne à batterie 56V Lithium-ion. Elle a été conçue, mise au point et fabriquée pour vous offrir la meilleure fiabilité et les meilleures performances possibles.

Si vous éprouvez un problème que vous n'arrivez pas à régler facilement, veuillez communiquer avec le service à la clientèle d'EGO au 1 855 EGO-5656.

Le présent guide contient des renseignements importants pour assembler, utiliser et entretenir en toute sécurité votre produit. Lisez-le soigneusement avant d'utiliser le produit. Conservez ce guide à portée de main afin de pouvoir le consulter à tout moment.

NUMÉRO DE SÉRIE \_\_\_\_\_ DATE D'ACHAT \_\_\_\_\_

NOUS VOUS RECOMMANDONS DE NOTER LE NUMÉRO DE SÉRIE ET LA DATE D'ACHAT ET DE LES CONSERVER EN LIEU SÛR AFIN DE POUVOIR LES CONSULTER ULTÉRIEUREMENT.

## CARACTÉRISTIQUES TECHNIQUES

Tension nominale	56V
Longueur du guide-chaîne	304,8 mm (12 po)
Pas de chaîne	9,525 mm (3/8 po) LP
Calibre	1,1 mm (0,043 po)
Nombre de maillons d'entraînement	45
Vitesse max. de la chaîne	20 m/s
Capacité du réservoir d'huile de la chaîne	5.0 oz (150ml)
Température de fonctionnement recommandée	5°F – 104°F (-15°C – 40°C)
Température de stockage recommandée	-4°F – 158°F (-20°C – 70°C)
Poids (sans le bloc-piles, la chaîne de la scie, la barre de guidage, le cache latéral, l'huile et la gaine de la chaîne)	1,9 kg / 4,2 lb
Indice de protection pour la pénétration	IPX4* (Protection contre les éclaboussures d'eau)

\* **REMARQUE** : Le classement IPX4 est basé sur la machine et la pile utilisées ensemble en tant que système.

### Barre et chaîne recommandées pour cette scie à chaîne

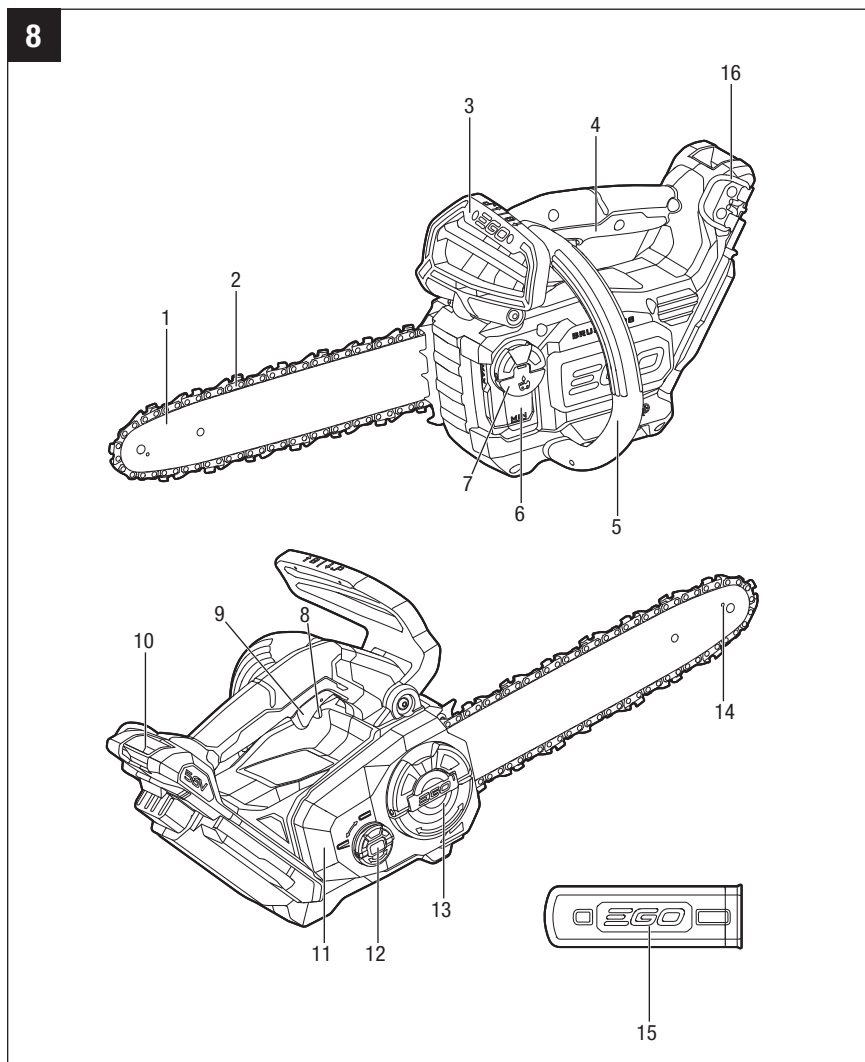
NOM DE LA PIÈCE	NUMÉRO DE MODÈLE
Barre de guidage + Chaîne de la scie	AK1204
Chaîne de la scie	AC1204

## LISTE DES PIÈCES

NOM DE LA PIÈCE	QUANTITÉ
Chaîne de la scie	1
Gaine de la chaîne	1
Mode d'emploi	1

## DESCRIPTION

FAMILIARISEZ-VOUS AVEC VOTRE SCIE À CHAÎNE (Fig. 8)





1. Barre de guidage
2. Chaîne de scie
3. Palette de freinage anti-rebond de la chaîne
4. Poignée arrière
5. Poignée arrière
6. Fenêtre de vue de l'huile
7. Capuchon du réservoir d'huile
8. Languette de verrouillage
9. Interrupteur à gâchette
10. Bouton de déverrouillage de la batterie
11. Couvercle latéral
12. Bouton de tension de la chaîne
13. Bouton du couvercle latéral
14. Trou de lubrification
15. Protège-chaîne
16. Œillet pour lanière

**⚠ AVERTISSEMENT:** L'utilisation en toute sécurité de ce produit exige une bonne compréhension des informations figurant sur le produit et dans le présent manuel d'instructions, ainsi qu'une bonne connaissance du projet que vous entreprenez. Avant d'utiliser ce produit, familiarisez-vous avec toutes les caractéristiques de fonctionnement et les règles de sécurité.

### **Palette de freinage anti-rebond de la chaîne**

Sert de levier pour l'activation du frein de la chaîne. Elle offre également une protection contre les branches en saillie et permet d'éviter que la main gauche ne touche la chaîne de la scie à chaîne si elle glisse de la poignée avant.

### **Interrupteur à gâchette**

Met la scie à chaîne en marche et à l'arrêt et règle la vitesse de la chaîne.

### **Languette de verrouillage**

Permet d'empêcher l'activation accidentelle ou non autorisée de l'interrupteur à gâchette. Elle doit être enfoncée avant que l'interrupteur à gâchette puisse être activé.

### **Bouchon du réservoir d'huile**

Assure l'étanchéité du réservoir d'huile.

### **Fenêtre de vue de l'huile**

Permet de visualiser le niveau d'huile dans le réservoir d'huile.

## Chaîne de scie

Une boucle de chaîne avec des dents coupantes qui coupent le bois lorsqu'elle est entraînée par la tête motrice et soutenue par le guide-chaîne.

## Protège-chaîne

Le protège-chaîne empêche l'opérateur d'entrer en contact avec les lames de chaîne tranchantes lorsque la machine n'est pas utilisée. Il permet également d'éviter que les lames de la chaîne ne soient entaillées ou endommagées lors du transport et du stockage de la machine.

## Barre de guidage

Soutient et guide la chaîne de scie.

## Poignée avant

La poignée de soutien pour la main gauche à l'avant de la scie à chaîne.

## Poignée arrière

La poignée de soutien pour la main droite, située à l'arrière de la scie à chaîne. **Tenez toujours la scie à chaîne avec la main droite sur la poignée arrière et la main gauche sur la poignée avant.**

## Couvercle latéral

Couvre le pignon de chaîne et fixe le guide-chaîne.

## Bouton de tension de la chaîne

Permet un réglage précis de la tension de la chaîne.

## Bouton de déverrouillage de la batterie

Appuyez sur ce bouton pour libérer la batterie de l'outil.

## Œillet pour lanière

Pour soulever la scie à chaîne lorsqu'elle est utilisée en hauteur et pour la fixer à l'utilisateur afin qu'il porte la scie à chaîne lorsqu'il se trouve en hauteur.

## ASSEMBLAGE

**⚠ AVERTISSEMENT:** S'il y a des pièces manquantes ou endommagées, ne tentez pas d'utiliser cet article tant que ces pièces n'auront pas été remplacées. Le fait d'utiliser cet article avec des pièces endommagées ou manquantes pourrait entraîner des blessures graves.

**⚠ AVERTISSEMENT:** Ne tentez pas de modifier cet article ou de créer des accessoires qui ne sont pas recommandés pour cet article. Toute modification est considérée comme un usage inapproprié et peut créer une situation dangereuse susceptible d'entraîner des blessures graves.

**⚠ AVERTISSEMENT:** Pour éviter tout démarrage accidentel susceptible de provoquer des blessures graves, retirez toujours la batterie de l'appareil lorsque vous assemblez des pièces, effectuez des réglages, nettoyez ou lorsque l'appareil n'est pas utilisé.

## DÉBALLAGE

- Ce produit a été complètement assemblé avant l'expédition.
- Retirez soigneusement l'outil et toutes les pièces de l'emballage. Assurez-vous que toutes les pièces mentionnées sur la liste de l'emballage sont présentes.
- Inspectez soigneusement l'outil pour vérifier qu'il n'a pas été endommagé pendant l'expédition.
- Ne jetez pas le matériel d'emballage avant d'avoir inspecté soigneusement la scie à chaîne et de l'avoir fait fonctionner de manière satisfaisante.
- Si des pièces sont endommagées ou manquantes, veuillez contacter le service après-vente d'EGO pour obtenir de l'assistance.

## FONCTIONNEMENT

**⚠ AVERTISSEMENT :** Ne laissez pas l'habitude de l'utilisation de ce produit vous empêcher de prendre toutes les précautions requises. N'oubliez jamais qu'une fraction de seconde d'inattention suffit pour entraîner de graves blessures.

**⚠ AVERTISSEMENT :** Utilisez toujours un équipement de protection des yeux indiquant qu'il est conforme à la norme ANSI Z87.1. Si vous ne portez pas un tel dispositif de protection, vous pourriez subir des blessures graves, y compris en conséquence de la projection d'objets dans vos yeux.

**⚠ AVERTISSEMENT :** N'utilisez pas d'attachements ou d'accessoires qui ne sont pas recommandés par le fabricant de ce produit. L'utilisation d'attachements ou d'accessoires qui ne sont pas recommandés peut causer des blessures graves.

Avant chaque utilisation, inspectez périodiquement l'intégralité du produit pour vous assurer qu'il n'y a pas de pièces endommagées, manquantes ou desserrées comme des vis, des écrous, des boulons, des capuchons, etc. Serrez à fond tous les dispositifs de fixation et capuchons, et ne vous servez pas de ce produit avant que toutes les pièces manquantes ou endommagées aient été remplacées.

## APPLICATION

Ce produit peut être utilisé pour l'ébranchage, l'élagage et le débitage de bois d'œuvre et d'arbres.

## REMPLEISSAGE DU RÉSERVOIR D'HUILE AVEC DU LUBRIFIANT POUR BARRES ET CHÂÎNES

**⚠ AVERTISSEMENT :** Pour éviter tout démarrage accidentel pouvant entraîner des blessures graves, débranchez toujours le bloc-piles de l'outil avant de remplir le réservoir avec de l'huile.

**⚠ AVERTISSEMENT :** Ne fumez pas et ne transportez pas de flamme ou de feu à proximité de l'huile ou de la scie à chaîne. De l'huile pourrait se renverser et causer un incendie.

**AVIS :** La scie à chaîne n'est pas remplie d'huile au moment de l'achat. Il est essentiel de remplir le réservoir d'huile pour chaîne avant de commencer à utiliser la scie. L'utilisation de la scie à chaîne sans huile pour chaîne ou lorsque le niveau d'huile

est inférieur à la marque minimum causera un endommagement de la scie à chaîne. La durée de vie de la chaîne et sa capacité de coupe dépendent d'une lubrification optimale. La chaîne est automatiquement lubrifiée avec de l'huile de chaîne pendant le fonctionnement, s'il y a suffisamment d'huile dans le réservoir d'huile.

1. Détachez le bloc-piles de la scie à chaîne.

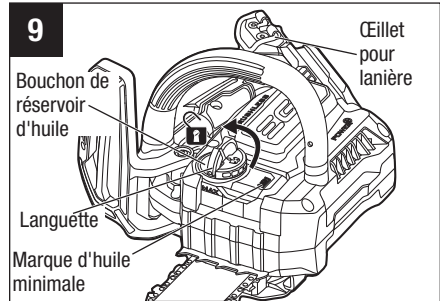
2. Nettoyez le capuchon du réservoir d'huile et la zone adjacente pour vous assurer qu'il n'y aura pas de saletés qui tomberont dans le réservoir d'huile.

3. Posez la scie à chaîne sur une surface plane et solide, de manière

à ce que le bouchon du réservoir d'huile soit orienté vers le haut. Tournez la languette dans le sens inverse des aiguilles d'une montre pour retirer le bouchon (Fig. 9).

4. Versez délicatement l'huile du guide-chaîne et de la chaîne dans le réservoir. Veillez à ce que l'huile ne s'écoule pas par l'ouverture. Remplissez jusqu'au fond du goulot de remplissage. Essayez l'excédent d'huile.

5. Remettez le capuchon en place, placez la scie en position verticale et vérifiez le niveau par la fenêtre d'inspection de l'huile. L'huile devrait remplir la fenêtre.



## AVIS :

- Utilisez l'huile pour barre et chaîne EGO AOL3200 ou AOL1000 pour obtenir les meilleurs résultats. Elle est conçue spécifiquement pour produire peu de frottements et permettre des coupes rapides.
- N'utilisez jamais de l'huile ou d'autres lubrifiants qui ne sont pas conçus spécifiquement pour une utilisation sur des barres et des chaînes. Ceci pourrait causer une obstruction du système d'huile, qui risquerait d'entraîner une usure prématurée de la barre et de la chaîne.
- Vérifiez fréquemment le niveau d'huile, et remplissez à nouveau le réservoir lorsque le niveau d'huile tombe en dessous du trait indiquant le niveau minimum. N'utilisez jamais la scie à chaîne si l'huile n'est pas visible.
- N'utilisez pas d'huile sale, usagée ou contaminée par ailleurs. Ceci pourrait endommager la barre ou la chaîne.

- Il est normal que de l'huile suinte de la scie quand celle-ci n'est pas utilisée. Pour empêcher de tels suintements, vidangez l'huile du réservoir après chaque utilisation, puis laissez fonctionner la scie à vide pendant une minute. Lorsque vous rangez l'outil en pensant ne pas vous en servir pendant une longue période, veillez à ce que la chaîne soit légèrement lubrifiée. Cela évitera la rouille sur la chaîne et le pignon de la barre.
- Pour préserver les ressources naturelles, veuillez recycler ou éliminer l'huile conformément aux règlements applicables. Consultez votre service municipal responsable de la gestion des déchets pour déterminer quelles sont les options de recyclage et/ou d'élimination possibles.

## UTILISATION DE L'ŒILLET DE LANIÈRE (Fig. 9)

**⚠ AVERTISSEMENT** Recouvrez toujours la chaîne de scie et le guide-chaîne avec un protège-chaîne lorsque vous suspendez la scie à chaîne à la ceinture porte-outils. La chaîne de scie est tranchante et peut provoquer des blessures graves.

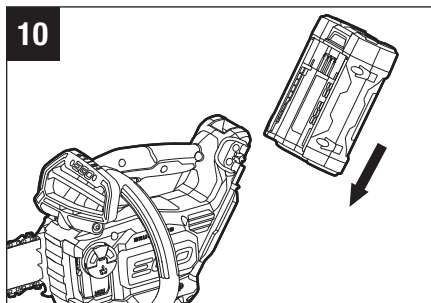
**⚠ AVERTISSEMENT:** Assurez-vous que l'œillet de lanière est suffisamment solide pour supporter le poids combiné de la scie à chaîne et de la batterie. Une chute de la scie à chaîne peut entraîner des blessures graves et des dommages matériels.

## INSTALLATION / RETRAIT DE LA BATTERIE

**REMARQUE :** Chargez complètement votre batterie avant chaque utilisation.

### Pour installer la batterie (Fig. 10)

1. Alignez les nervures de la batterie sur les fentes de montage du port de la batterie de la scie à chaîne.
2. Faites glisser la batterie dans la machine jusqu'à ce qu'elle s'enclenche en position.

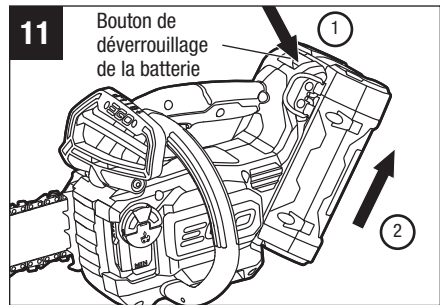


**⚠ AVERTISSEMENT:** Assurez-vous que le loquet de la scie à chaîne s'enclenche et que la batterie est fixée à la scie à chaîne avant de commencer l'opération. Si la batterie n'est pas correctement installée, celle-ci pourrait tomber et entraîner des blessures graves.

**⚠ AVERTISSEMENT:** Pour maintenir un équilibre confortable pendant la coupe, veuillez utiliser uniquement la batterie BA1400/BA1400-FC/BA1400T/BA1400T-FC. Des batteries plus grandes feront basculer l'arrière de la scie vers le bas.

### Pour retirer la batterie (Fig. 11)

**⚠ AVERTISSEMENT:** Soyez toujours conscient(e) de la position de vos pieds et des enfants ou des animaux qui vous entourent lorsque vous retirez la batterie. Une chute de la batterie peut entraîner des blessures graves. Ne retirez JAMAIS la batterie d'un endroit en hauteur.



1. Tenez la batterie dans la paume de votre main.
2. Appuyez sur le bouton de déverrouillage de la batterie avec votre pouce ; la batterie se dégagera du loquet.
3. Saisissez la batterie et retirez-la de la scie à chaîne.

**⚠ AVERTISSEMENT:** Pour éviter des blessures graves, retirez toujours la batterie et gardez les mains éloignées de la languette de verrouillage et de l'interrupteur à gâchette lorsque vous portez ou transportez la machine.

## DÉMARRAGE / ARRÊT DE LA SCIE À CHAÎNE

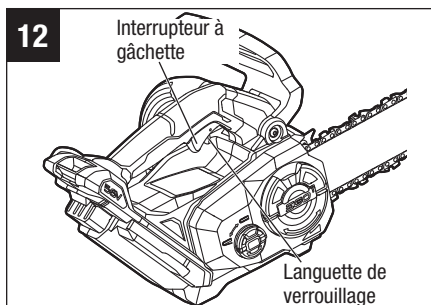
### Avant de démarrer la scie à chaîne :

1. Retirez la batterie.
2. Assurez-vous que la chaîne est correctement montée et correctement tendue conformément au chapitre « RÉGLAGE DE LA TENSION DE LA CHAÎNE » plus loin dans ce manuel.
3. Vérifiez la tension du bouton du couvercle latéral avant l'utilisation. S'il est desserré, serrez fermement le bouton du couvercle latéral.
4. Vérifiez le niveau d'huile et remplissez le réservoir si nécessaire. Assurez-vous que la chaîne est bien lubrifiée.

5. Vérifiez l'affûtage des dents de coupe de la scie à chaîne.
6. Assurez-vous que la palette de frein anti-rebond de la chaîne peut se déplacer facilement d'avant en arrière entre la position de freinage et la position de fonctionnement.
7. Tenez toujours la scie à chaîne avec les deux mains : la main droite sur la poignée arrière et la main gauche sur la poignée avant.
8. Veillez à ce que votre assise soit sûre et équilibrée. Faites attention aux obstacles tels que les souches d'arbres, les racines et les fossés, qui pourraient vous faire trébucher.
9. Tenez-vous droit(e) et tenez la scie à chaîne dans une position détendue et assurez-vous que la chaîne de la scie à chaîne ne touche pas le sol ou d'autres objets.
10. Assurez-vous que l'objet à couper ne dépasse pas la longueur de coupe utilisable de la scie à chaîne. La pointe du guide-chaîne doit toujours dépasser d'au moins 1-31/32 po (5 cm) le contour du rondin de bois.

## Pour démarrer la scie à chaîne (Fig. 12)

1. Installez la batterie.
2. Assurez-vous qu'aucun objet ou obstacle susceptible d'entrer en contact avec le guide et la chaîne ne se trouve à proximité immédiate.
3. Tirez la palette du frein anti-rebond de la chaîne vers la poignée avant pour la mettre en position de fonctionnement (voir le Fig. 1).
4. Saisissez fermement la poignée avant et la poignée arrière à deux mains.
5. Déplacez la languette de verrouillage vers l'avant, puis appuyez sur l'interrupteur à gâchette. Plus vous tirez sur l'interrupteur à gâchette, plus la vitesse de rotation de la chaîne de sciage est élevée.



**⚠ AVERTISSEMENT : N'essayez pas de démarrer la scie à chaîne lorsque la chaîne de la scie à chaîne se trouve dans une coupe ou en contact avec une surface quelconque.**



## Pour arrêter la scie à chaîne

1. Éloignez la scie à chaîne de la zone de coupe, puis relâchez l'interrupteur à gâchette pour arrêter la scie à chaîne.
2. Poussez la palette du frein anti-rebond de la chaîne vers l'avant jusqu'à la position de freinage pour engager le frein de chaîne (voir le Fig. 1).

**⚠ AVERTISSEMENT : Retirez toujours la batterie de la scie à chaîne pendant les pauses et après avoir terminé le travail.**

## PRÉPARATION DE LA COUPE

Reportez-vous à la section **INSTRUCTIONS DE SÉCURITÉ** plus haut dans ce manuel pour connaître l'équipement de sécurité approprié.

## Précautions à prendre dans la zone de travail

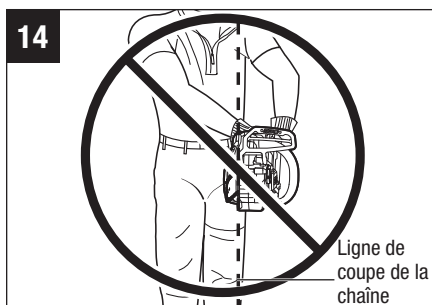
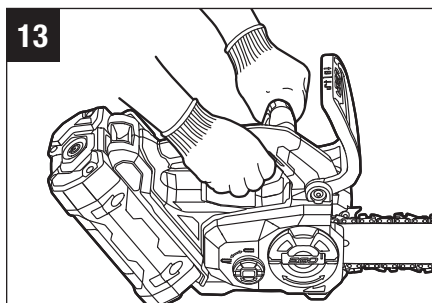
- Ne coupez que du bois ou des matériaux en bois ; ne coupez pas de tôle, de plastique, de maçonnerie ou de matériaux de construction autres que le bois.
- Ne laissez jamais les enfants utiliser la scie à chaîne.
- N'autorisez personne à utiliser cette scie à chaîne sans avoir lu ce manuel d'instructions ou sans avoir reçu des instructions adéquates pour une utilisation sûre et correcte de la scie à chaîne.
- Travaillez toujours à portée des autres pour qu'ils puissent vous aider en cas de besoin.
- Faites attention aux obstacles.
- Si vous travaillez dans l'arbre : Utilisez une corde de protection contre les chutes pour vous protéger.
- Si vous travaillez dans l'arbre : Fixez la scie à chaîne à l'aide d'une corde attachée au mousqueton afin d'éviter qu'elle ne tombe au sol.
- Ne coupez pas au-dessus de la hauteur de la poitrine, car une scie à chaîne tenue plus haut est difficile à contrôler contre les forces de rebond.
- Travailler à proximité de câbles électriques sous tension peut entraîner un contact accidentel avec la chaîne et endommager les câbles. Cela peut entraîner des blessures graves voire mortelles.
- Ne coupez que lorsque la visibilité et la lumière sont suffisantes pour vous permettre de voir clairement.
- Ne travaillez pas dans un endroit facilement inflammable.

## Prise correcte des poignées

- Portez des gants antidérapants pour une prise en main et une protection maximales.
- La scie à chaîne étant posée sur une surface plane et solide, tenez-la fermement des deux mains.
- Saisissez toujours la poignée avant avec la main gauche et la poignée arrière avec la main droite.
- Les doigts doivent encercler la poignée, le pouce étant enroulé sous la poignée avant (Fig. 13).

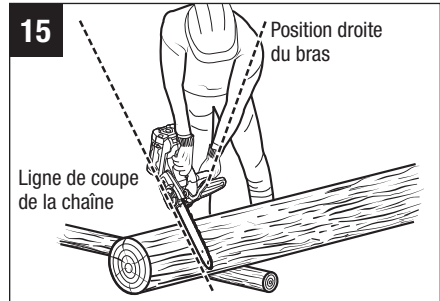
**⚠ AVERTISSEMENT:** N'utilisez jamais une poignée de gaucher ou une position qui placerait votre corps ou votre bras de l'autre côté de la ligne de chaîne.

**⚠ AVERTISSEMENT:** N'actionnez pas l'interrupteur à gâchette de la main gauche et ne tenez pas la poignée avant de la main droite. Ne laissez jamais une partie quelconque de votre corps se trouver dans la ligne de chaîne lorsque vous utilisez une scie à chaîne (Fig. 14).



## Position de coupe correcte (Fig. 15)

- Les deux pieds doivent être posés sur un sol solide et le poids doit être réparti uniformément entre eux.
- Le bras gauche doit être tendu, le coude verrouillé. Cela permet de résister aux forces générées par le rebond.
- Votre corps doit toujours se trouver à gauche de la ligne de chaîne.



## COUPE

### Coupe de base

**⚠ AVERTISSEMENT:** Assurez-vous toujours que vous êtes bien stable sur vos pieds et tenez fermement la scie à chaîne à deux mains lorsque le moteur est en marche.

Entraînez-vous à couper quelques petits rondins à l'aide de la technique suivante pour vous familiariser avec l'utilisation de votre scie à chaîne avant de vous lancer dans une opération de sciage plus importante.

1. Tenez toujours le produit fermement avec les deux mains : la poignée avant avec la main gauche et la poignée arrière avec la main droite. Saisissez complètement les deux poignées à tout moment pendant le fonctionnement. N'utilisez jamais ce produit en le tenant d'une seule main.
2. Scie éteinte, prenez la bonne position devant le bois.
3. Appuyez sur la languette de verrouillage et pressez l'interrupteur à gâchette pour démarrer la scie à chaîne. Laissez la chaîne atteindre sa vitesse maximale avant de commencer la coupe.
4. Commencez la coupe en appuyant légèrement le guide-chaîne contre le bois. N'exercez qu'une légère pression et laissez la scie à chaîne faire le travail. Ne forcez pas la scie à chaîne (exercez une pression légère et continue afin d'éviter la surchauffe des pointes de lames).
5. Maintenez une vitesse constante tout au long de la coupe, en relâchant la pression juste avant la fin de la coupe.

6. Soyez prudent lorsque vous atteignez la fin de la coupe. Le poids du produit peut changer de façon inattendue lorsqu'il se détache du bois. Des accidents peuvent se produire au niveau des jambes et des pieds.

Retirez toujours la scie à chaîne d'une coupe de bois lorsqu'elle est en marche. Relâchez l'interrupteur à gâchette dès que la coupe est terminée, ce qui permet à la chaîne de s'arrêter.

**⚠ AVERTISSEMENT:** Lorsque la chaîne de scie s'arrête en raison d'un pincement pendant la coupe, relâchez l'interrupteur à gâchette ; retirez la chaîne de la scie à chaîne et le guide-chaîne du bois, puis redémarrez la scie à chaîne.

**⚠ AVERTISSEMENT:** Ne tirez pas sur la chaîne de scie avec la main lorsqu'elle est retenue par la sciure. Un démarrage accidentel de la scie à chaîne peut entraîner des blessures graves. Appuyez la chaîne contre le bois et déplacez la scie à chaîne d'avant en arrière pour évacuer les débris. Retirez toujours la batterie avant de procéder au nettoyage. Portez des gants de protection épais lorsque vous manipulez la chaîne de scie.

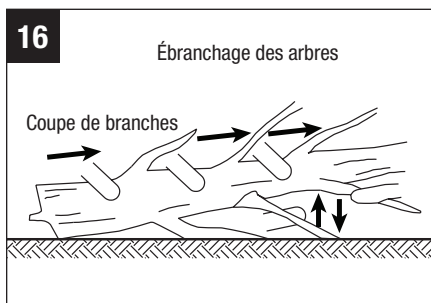
**⚠ AVERTISSEMENT:** Ne démarrez jamais la scie à chaîne lorsqu'elle est en contact avec le bois. Laissez toujours la scie à chaîne tourner à plein régime avant de l'appliquer sur le bois.

## ÉBRANCHAGE

L'ébranchage consiste à enlever les branches d'un arbre abattu. Lors de l'ébranchage, laissez les branches les plus grosses pour soutenir le rondin au-dessus du sol.

Enlevez les petites branches en une seule coupe, comme illustré sur le Fig. 16.

Les branches sous tension doivent être coupées de bas en haut pour éviter de gripper la scie à chaîne.



**⚠ AVERTISSEMENT:** Il existe un risque extrême de rebond lors de l'opération d'ébranchage. Soyez extrêmement prudent et évitez de toucher le rondin ou d'autres branches avec l'extrémité du guide-chaîne.

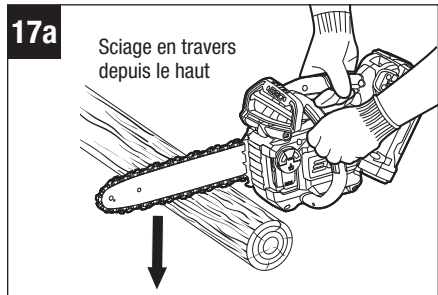
## DÉBITAGE D'UN RONDIN

Le débitage consiste à découper un tronc en rondins. Il est important de vous assurer que votre appui est ferme et que votre poids est réparti uniformément sur les deux pieds. Lorsque cela est possible, la bûche doit être surélevée et soutenue à l'aide de branches, de rondins ou de cales. Pour une coupe plus facile, suivez les principes de base suivants.

**⚠ AVERTISSEMENT:** Conservez une zone de coupe dégagée. Veillez à ce qu'aucun objet n'entre en contact avec le nez du guide-chaîne et la chaîne pendant la coupe, car cela pourrait provoquer un rebond.

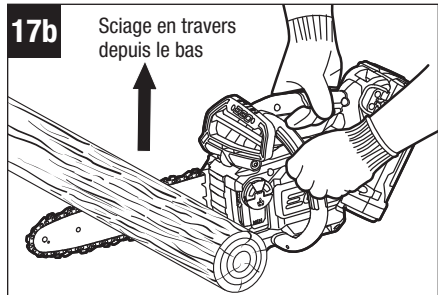
### Débitage par le haut (Fig. 17a)

Commencez par le côté supérieur du rondin, en plaçant le bas de la scie à chaîne contre le rondin ; exercez une légère pression vers le bas. Notez que la scie à chaîne aura tendance à s'éloigner de vous.



### Débitage par le bas (Fig. 17b)

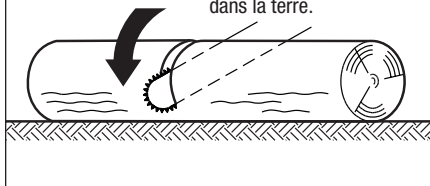
Commencez par le côté inférieur du rondin, en plaçant le haut de la scie à chaîne contre le rondin ; exercez une légère pression vers le haut. Lors du débitage par le bas, la scie à chaîne aura tendance à vous pousser vers l'arrière. Préparez-vous à cette réaction et tenez fermement la scie pour garder le contrôle.



- Si le rondin est soutenu sur toute sa longueur, coupez-le par le dessus (coupe par le haut) (Fig. 18).
- Si le rondin est soutenu par un des deux côtés seulement, coupez environ 1/3 de son diamètre par en-dessous (coupe par le bas). Puis terminez la coupe par le haut, de manière à rejoindre la première entaille (Fig. 19).
- Si le rondin est soutenu des deux côtés, coupez environ 1/3 de son diamètre par le haut. Ensuite, réalisez la coupe finale en coupant par le dessous les 2/3 inférieurs pour rejoindre la première entaille (Fig. 20).
- Lorsque vous débitez un tronc sur une pente, placez-vous toujours en amont du tronc (Fig. 21).
- Lors de la coupe transversale, pour garder un contrôle total, relâchez la pression de coupe vers la fin de la coupe sans relâcher votre prise sur les poignées de la scie à chaîne. Veillez à ce que la chaîne ne touche pas le sol. Une fois la coupe terminée, attendez que la chaîne s'arrête avant de déplacer la scie à chaîne. Arrêtez toujours le moteur avant de vous déplacer d'un arbre à l'autre.

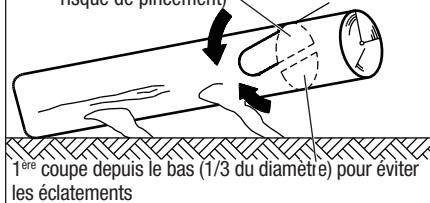
## 18 Bûche supportée sur toute sa longueur

Coupez depuis le haut (en surplomb) Évitez de couper dans la terre.



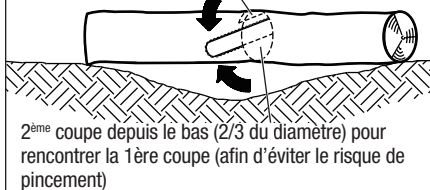
## 19 Bûche supportée par une extrémité

2<sup>ème</sup> coupe depuis le haut (2/3 du diamètre) pour rencontrer la 1<sup>ère</sup> coupe (afin d'éviter le risque de pincement)

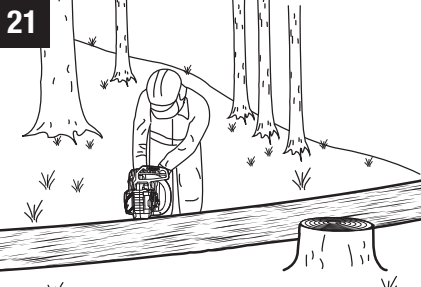


## 20 Bûche supportée à ses deux extrémités

1<sup>ère</sup> coupe depuis le haut (1/3 du diamètre) pour éviter les éclatements



2<sup>ème</sup> coupe depuis le bas (2/3 du diamètre) pour rencontrer la 1<sup>ère</sup> coupe (afin d'éviter le risque de pincement)



## MAINTENANCE

**⚠ AVERTISSEMENT :** Pour éviter des blessures graves, retirez toujours le bloc-piles de la scie à chaîne lorsque vous l'inspectez ou la nettoyez, ou quand vous effectuez des travaux de maintenance. Un outil alimenté par des piles dont le bloc-piles est inséré est toujours prêt à fonctionner, et il pourrait se déclencher accidentellement.

**⚠ AVERTISSEMENT :** Lors de toute réparation, n'utilisez que des pièces de rechange identiques. L'utilisation de toutes autres pièces de rechange pourrait créer un danger ou endommager le produit.

**⚠ AVERTISSEMENT :** Portez toujours des gants épais lorsque vous manipulez la barre et la chaîne. Faites attention à la chaîne de la scie, et protégez-vous les mains pour ne pas qu'elles risquent d'être blessées par la chaîne de la scie.

**⚠ AVERTISSEMENT :** Utilisez toujours un équipement de protection des yeux avec écrans latéraux indiquant qu'il est conforme à la norme ANSI Z87.1. Si vous ne portez pas un tel équipement de protection, vous pourriez subir des blessures graves, y compris en conséquence de la projection d'objets dans vos yeux.

## NETTOYAGE

Évitez d'utiliser des solvants lorsque vous nettoyez des pièces en plastique. La plupart des plastiques sont susceptibles d'être endommagés par divers types de solvants commerciaux, et ils pourraient l'être si vous les utilisez. Utilisez des chiffons propres pour retirer les saletés, la poussière, l'huile, la graisse, etc.

**⚠ AVERTISSEMENT :** Ne laissez jamais de liquide de frein, d'essence, de produits à base de pétrole, d'huiles pénétrantes, etc. entrer en contact avec des composants en plastique. Les produits chimiques peuvent endommager, affaiblir ou détruire le plastique, ce qui pourrait causer des blessures graves.

**⚠ AVERTISSEMENT :** Lors du nettoyage de la scie à chaîne, NE l'immergez PAS dans l'eau ou dans d'autres liquides.

- Après chaque utilisation, nettoyez les débris de la chaîne de la scie et de la barre de guidage avec une brosse non abrasive. Essuyez la surface de la scie à chaîne avec un chiffon propre humidifié avec une solution de savon doux.
- Retirez le cache latéral, puis utilisez une brosse douce pour éliminer les débris de la barre de guidage, de la chaîne de scie, du pignon et du cache latéral.

- Nettoyez toujours les copeaux de bois, la poussière de la scie et les saletés de la rainure de la barre de guidage lorsque vous remettez la chaîne de la scie en place.

Toutes les opérations d'entretien de la scie à chaîne, à l'exception de celles qui sont mentionnées dans ces instructions de maintenance, doivent être effectuées par des techniciens qualifiés pour la réparation d'une scie à chaîne.

## REPLACEMENT DU GUIDE-CHAÎNE ET DE LA CHAÎNE

**⚠ AVERTISSEMENT:** Avant d'effectuer toute opération d'entretien, assurez-vous que la batterie a été retirée. Le non-respect de cet avertissement peut entraîner des blessures graves.

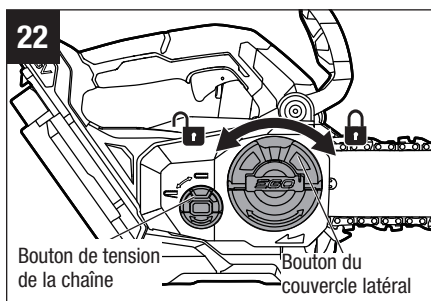
**⚠ AVERTISSEMENT:** Portez toujours des gants lorsque vous manipulez le guide et la chaîne ; ces éléments sont tranchants et peuvent contenir des ébréchures.

**⚠ AVERTISSEMENT:** Ne touchez jamais la chaîne et ne la réglez jamais lorsque le moteur est en marche. La chaîne de scie est très tranchante ; portez toujours des gants de protection lorsque vous effectuez des travaux d'entretien sur la chaîne.

**REMARQUE :** Lorsque vous remplacez le guide-chaîne et la chaîne, utilisez toujours la combinaison de guide-chaîne et de chaîne spécifiée dans la section « Guide-chaîne et chaîne recommandés pour cette scie à chaîne ».

### Démontage du guide-chaîne et de la chaîne usés (Fig. 22)

1. Retirez la batterie, laissez la scie à chaîne refroidir et serrez le bouchon du réservoir d'huile.
2. Placez la scie à chaîne sur le côté, sur une surface plane et solide, de manière à ce que le couvercle latéral soit orienté vers le haut.
3. Portez des gants. Retirez le couvercle latéral en tournant le bouton du couvercle latéral dans le sens inverse des aiguilles d'une montre. Nettoyez le couvercle latéral avec un chiffon sec.





- Retirez le guide et la chaîne usés de la surface de montage.

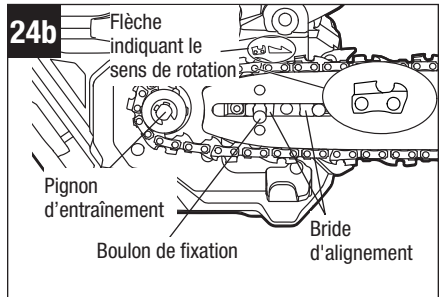
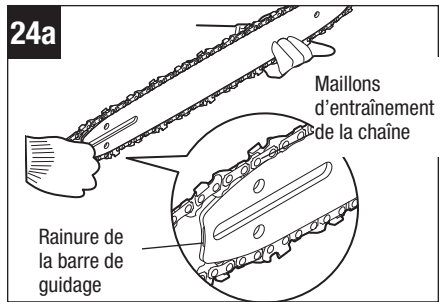
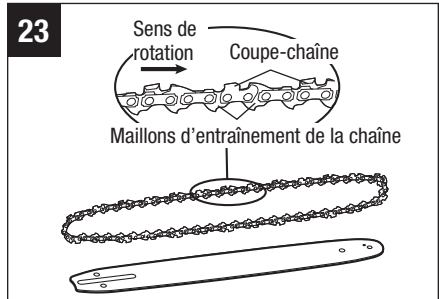
**REMARQUE :** C'est le moment d'inspecter le pignon d'entraînement pour vérifier qu'il n'est pas trop usé ou endommagé.

### Assemblage du nouveau guide et de la nouvelle chaîne

- Retirez la batterie, laissez la scie à chaîne refroidir et serrez le bouchon du réservoir d'huile.
- Posez la nouvelle chaîne de scie en boucle sur une surface plane et redressez-la si elle est pliée (Fig. 23).
- Placez les maillons d'entraînement de la chaîne dans la fente du guide-chaîne. Positionnez la chaîne de façon à ce qu'il y ait une boucle à l'arrière du guide-chaîne (Fig. 24a).
- Maintenez la chaîne en position sur le guide-chaîne et placez la boucle autour du pignon d'entraînement de la scie.

**REMARQUE :** Lorsque vous bouclez la chaîne de la scie sur le guide-chaîne, assurez-vous qu'après avoir monté le guide-chaîne sur la scie, l'orientation de la fraise correspond à l'icône de la fraise et à la flèche du sens de rotation sur le boîtier de la scie (Fig. 24b). S'ils sont orientés dans des directions opposées, remonte la chaîne de scie sur le guide-chaîne avec les dents orientées dans la même direction (Fig. 24c).

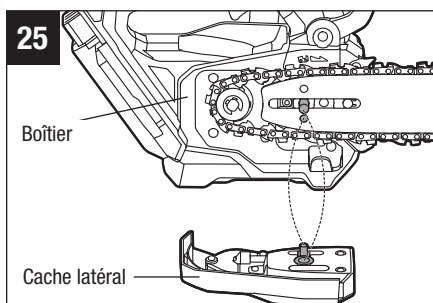
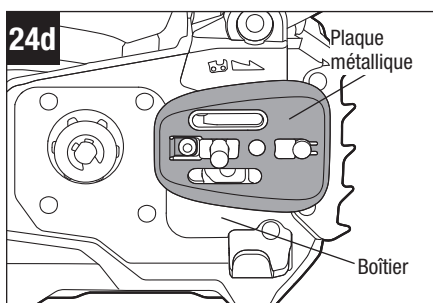
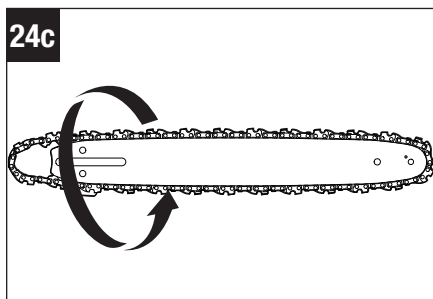
**REMARQUE :** Tendez la chaîne en suivant les instructions du chapitre « RÉGLAGE DE LA TENSION DE LA CHAÎNE » de la section suivante.



- Placez le guide-chaîne sur la surface de montage en faisant glisser la fente du guide-chaîne sur les brides d'alignement. Assurez-vous que le guide-chaîne soit correctement positionné sur le boulon de fixation.

**REMARQUE :** Lors de l'assemblage et de l'entretien, la plaque métallique située sous le guide-chaîne (Fig. 24d) peut se soulever. Si cela se produit, nettoyez soigneusement l'espace entre cette pièce métallique et le boîtier et repoussez la plaque métallique de manière à ce qu'elle soit **au même niveau que le boîtier**. Si la plaque métallique n'est pas nettoyée et placée correctement, le guide-chaîne sera désaligné.

- Fixez le couvercle latéral au boîtier de manière à ce que les trous / goupilles et le boulon de fixation / trou fileté soient correctement alignés (Fig. 25). Serrez légèrement le bouton du couvercle latéral en le tournant dans le sens des aiguilles d'une montre. Le guide doit être libre de bouger pour le réglage de la tension.



**REMARQUE :** Pour prolonger la durée de vie du guide-chaîne, inversez-le de temps en temps.

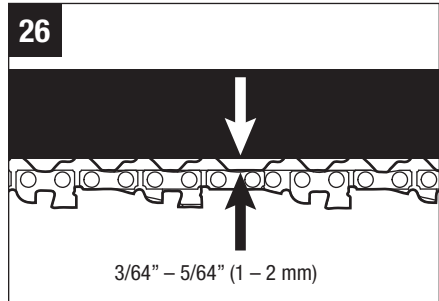
**AVERTISSEMENT:** La chaîne de scie doit être correctement tendue avant d'être utilisée.

## REGLAGE DE LA TENSION DE LA CHAÎNE

- Assurez-vous que la batterie est retirée.

2. Soulevez l'extrémité du guide-chaîne et maintenez-la légèrement soulevée pendant que vous réglez la tension. Assurez-vous que le guide-chaîne est libre de tout mouvement ; desserrez légèrement le bouton du couvercle latéral si nécessaire.

3. Tournez le bouton de tension de la chaîne dans le sens des aiguilles d'une montre pour serrer ou dans le sens inverse des aiguilles d'une montre pour desserrer, jusqu'à ce que toutes les sections de la chaîne touchent le bord inférieur du guide.



### REMARQUE :

- Une chaîne à froid est correctement tendue lorsqu'il n'y a pas de jeu sous le guide-chaîne et que la chaîne est bien tendue, mais qu'elle peut être tournée à la main sans se bloquer. La chaîne doit être retendue chaque fois que les méplats des maillons d'entraînement ne s'insèrent pas dans la fente du guide.
- Pendant le fonctionnement normal de la scie à chaîne, la température de la chaîne augmente. Les maillons d'entraînement d'une chaîne chaude correctement tendue dépassent d'environ 3/64 po – 5/64 po (1 – 2 mm) de la fente du guide (Fig. 26).

**REMARQUE :** Les chaînes neuves ont tendance à s'étirer. Vérifiez fréquemment la tension de la chaîne et réglez-la si nécessaire.

**REMARQUE :** Une chaîne tendue lorsqu'elle est chaude peut être trop tendue lorsqu'elle refroidit. Vérifiez la tension à froid avant la prochaine utilisation.

### ENTRETIEN DE LA CHAÎNE

**⚠ AVERTISSEMENT:** Portez toujours des gants lorsque vous manipulez la chaîne de la scie. La chaîne est tranchante et peut présenter des irrégularités.

**⚠ AVERTISSEMENT:** Retirez la batterie avant de procéder à l'entretien. Le non-respect de cet avertissement peut entraîner des blessures graves.

N'utilisez que des chaînes à faible effet de rebond sur cette scie. Cette chaîne à coupe rapide permet de réduire l'effet de rebond lorsqu'elle est correctement entretenue.

Une chaîne bien affûtée coupe le bois sans effort, même si vous exercez une pression minimale. N'utilisez jamais une chaîne émoussée ni endommagée. Une gouge émoussée entraîne une augmentation de l'effort physique demandé et de la vibration, des résultats de découpe insatisfaisants et une usure accrue.

Pour assurer une coupe rapide et en douceur, la chaîne doit être correctement entretenue. Vous devez affûter la chaîne lorsque les copeaux de bois sont petits et poudreux, que vous devez exercer une pression accrue sur la scie pendant la coupe ou que la chaîne ne coupe que d'un côté. Lors de l'entretien de la chaîne, tenez compte des éléments suivants :

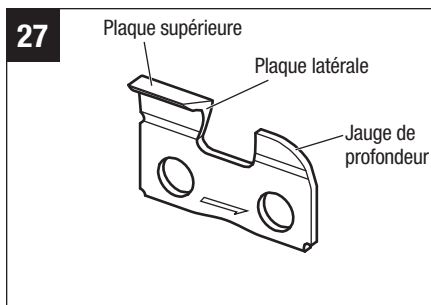
- Un angle d'affûtage incorrect de la plaque latérale peut accroître le risque de rebond important.
- Dégagement du râteau (jauge de profondeur). Un niveau trop bas augmente le risque de rebond. Un niveau pas assez bas réduit la capacité de coupe
- Si les dents de l'élément tranchant ont heurté des objets durs, tels que des clous ou des pierres, ou si elles ont été abrasées par de la boue ou du sable se trouvant sur le bois, faites affûter la chaîne par un technicien / réparateur qualifié.

**AVIS :** Lors du remplacement de la chaîne, vérifiez que le pignon d'entraînement n'est pas usé ou endommagé. Si des signes d'usure ou de dommages sont présents dans les zones indiquées, faites remplacer le pignon d'entraînement par un technicien / réparateur qualifié.

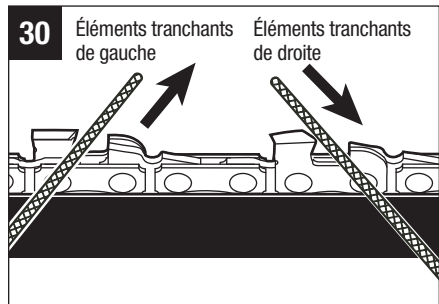
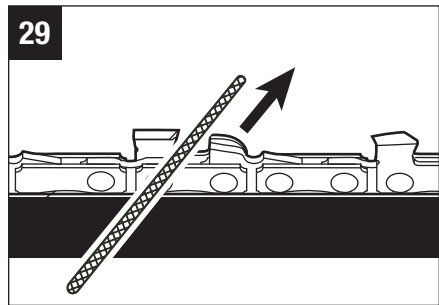
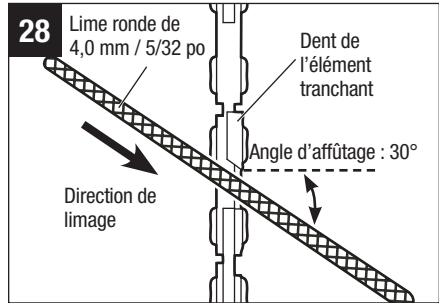
## Affûtage des éléments tranchants

Affûtez tous les éléments tranchants (Fig. 27) aux angles spécifiés et de la même longueur, étant donné qu'il n'est possible de couper rapidement que lorsque tous les bords des éléments tranchants sont uniformes.

1. Retirez le bloc-piles. Portez des gants de protection.
2. Tendez correctement la chaîne avant de l'affûter. Reportez-vous au chapitre « **RÉGLAGE DE LA TENSION DE LA CHAÎNE** » plus haut dans ce mode d'emploi.



3. Utilisez une lime ronde de 4,0 mm / 5/32 po de diamètre et un support (disponibles séparément). Effectuez tout votre limage depuis la position centrale de la barre de guidage.
4. Gardez la lime de niveau avec la plaque supérieure de la dent. Ne l'inclinez pas et ne la faites pas basculer.
5. Maintenez un angle d'affûtage correct de 30° entre la lime et la chaîne de la scie ; voir Fig. 28 & 29. Utilisez toujours un porte-lime (disponible séparément) lors de l'affûtage des chaînes de scie à la main. Les porte-limes ont des repères pour l'angle d'affûtage.
6. Exercez une pression légère, mais ferme, puis limez en direction du coin avant de la dent. Soulevez la lime du métal après chaque retour.
7. Effectuez quelques coups fermes sur chaque dent. Limez tous les éléments tranchants de gauche dans un sens. Passez ensuite de l'autre côté et limez les éléments tranchants de droite dans le sens inverse. De temps en temps, retirez la limaille de la lime avec une brosse métallique (Fig. 30).



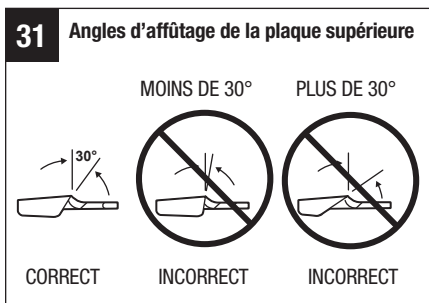
**⚠ AVERTISSEMENT :** Une chaîne émoussée ou mal affûtée peut provoquer une vitesse excessive du moteur pendant la coupe, ce qui peut entraîner de graves dommages au moteur.

**⚠ AVERTISSEMENT :** Une chaîne incorrectement affûtée accroît le risque de rebond.

**⚠ AVERTISSEMENT :** Le fait de ne pas remplacer ou réparer une chaîne endommagée peut causer de graves blessures.

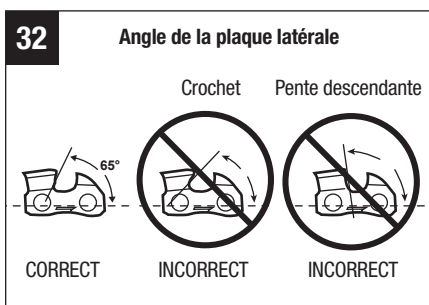
## Angles d'affûtage de la plaque supérieure (Fig. 31)

- CORRECT 30°** – Cet angle optimal ne peut être obtenu que si les limes spécifiées et le réglage approprié sont utilisés. Les porte-limes sont munis de marques de guidage permettant d'aligner correctement la lime afin de produire l'angle correct de la plaque supérieure.
- MOINS DE 30°** – La dent est trop émoussée pour pouvoir couper.
- PLUS DE 30°** – Le bord de la dent coupante est aminci et s'émousse rapidement.



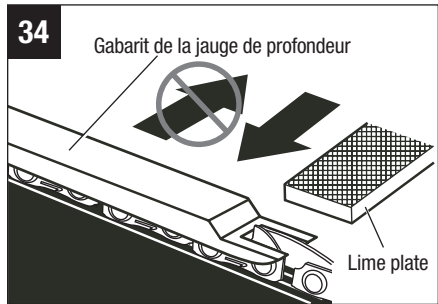
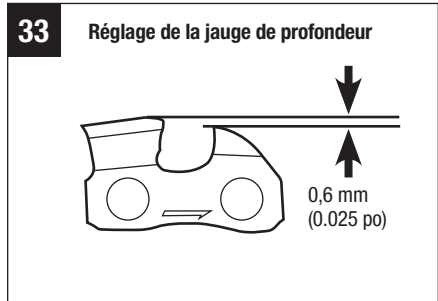
## Angle de la plaque latérale (Fig. 32)

- CORRECT 55°** – L'angle optimal peut être produit automatiquement si la lime de diamètre correct est utilisée dans le porte-lime.
- CROCHET** – « S'accroche » et s'émousse rapidement. Augmente le potentiel d'EFFET DE REBOND. Résultat de l'utilisation d'une lime dont le diamètre est trop petit, ou d'une lime tenue trop bas.
- PENTE DESCENDANTE** – Nécessite trop de pression d'alimentation, provoque une usure excessive de la barre et de la chaîne. Résulte de l'utilisation d'une lime dont le diamètre est trop grand, ou d'une lime tenue trop haut.



## Dégagement de la jauge de profondeur

1. La jauge de profondeur doit être maintenue à une distance de 0,025 po (0,64 mm), comme illustré sur le Fig. 33. Utilisez un outil de jauge de profondeur (disponible séparément) pour vérifier le jeu de la jauge de profondeur.
2. Vérifiez le jeu de la jauge de profondeur à chaque fois que la chaîne est limée. Utilisez une lime plate et un joint de jauge de profondeur (tous deux disponibles séparément) pour abaisser uniformément toutes les jauges (Fig. 34). Utilisez une jauge de profondeur de 0,025 pouces (0,52 mm).



3. Les jauges de profondeur doivent être ajustées avec la lime plate dans le même sens que la dent adjacente a été limée avec la lime ronde. Veillez à ne pas toucher la face de la dent avec la lime plate lorsque vous réglez les jauges de profondeur.

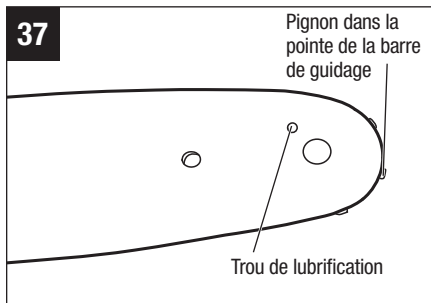
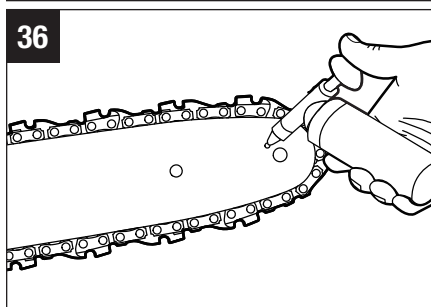
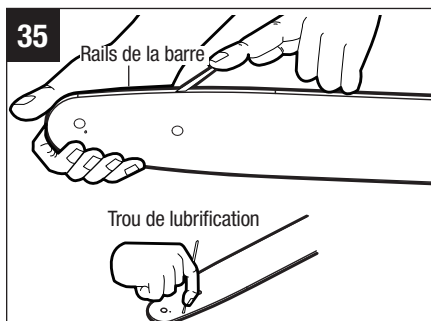
## MAINTENANCE DE LA BARRE DE GUIDAGE

Lorsque la barre de guidage présente des signes d'usure, mettez-la sens dessus-dessous sur la scie pour répartir l'usure et maximiser la durée de vie de la barre.

La barre doit être nettoyée tous les jours après utilisation et inspectée pour déterminer l'usure et les dommages éventuels (Fig. 35). La formation de plumes ou de bavures sur les rails des barres fait partie du processus normal d'usure des barres. Ces défauts doivent être lissés à l'aide d'une lime dès qu'ils se produisent. Une barre présentant l'un des défauts suivants doit être remplacée.

- Usure de l'intérieur des parois de la rainure de la barre de guidage, qui permet à la chaîne de se coucher sur le côté.
- Barre de guidage tordue.
- Parois de la rainure fendues ou brisées.
- Parois de la rainure écartées.

L'extrémité de la barre de guidage est munie d'un pignon. Ce dernier doit être lubrifié toutes les semaines à l'aide d'une seringue à graisse afin de prolonger la vie utile de la barre de guidage (Fig. 36 et 37). Tournez le pignon de renvoi lorsque vous injectez de la graisse dans le trou de lubrification jusqu'à ce que le pignon soit rempli de nouvelle graisse. N'introduisez pas de poussière dans le trou.





## **TRANSPORT ET STOCKAGE**

- Ne stockez pas et ne transportez pas la scie à chaîne lorsqu'elle est en marche. Retirez toujours la batterie avant de la ranger ou de la transporter.
- Placez toujours la protection de chaîne sur le guide-chaîne et la chaîne avant de ranger ou de transporter la scie à chaîne. Veillez à éviter les dents acérées de la chaîne.
- Transportez toujours le produit par sa poignée avant.
- Protégez l'appareil contre les chocs violents et les fortes vibrations qui peuvent se produire pendant le transport dans un véhicule.
- Sécurisez le produit pour éviter qu'il ne glisse ou ne tombe.
- Nettoyez soigneusement la scie à chaîne et videz le réservoir d'huile avant de la ranger. Rangez la scie à chaîne à l'intérieur, dans un endroit sec, fermé à clé et/ou inaccessible aux enfants.
- Gardez-la à l'écart des agents corrosifs tels que les produits chimiques de jardinage et les sels de déglçage.

## DÉPANNAGE

PROBLÈME	CAUSE	SOLUTION
Le moteur ne tourne pas.	<ul style="list-style-type: none"> <li>■ La batterie n'est pas fixée à la scie à chaîne.</li> <li>■ Il n'y a pas de contact électrique entre la scie à chaîne et la batterie.</li> <li>■ La charge de la batterie est épuisée.</li> <li>■ La batterie ou la scie à chaîne est trop chaude.</li>   <li>■ La languette de verrouillage n'est pas enfoncée avant d'appuyer sur l'interrupteur à gâchette.</li> <li>■ Le frein de chaîne est engagé.</li>   <li>■ La chaîne de la scie est coincée dans le bois.</li>   <li>■ Débris dans la rainure du guide.</li>   <li>■ Débris à l'intérieur du couvercle latéral.</li>   <li>■ Une batterie de 6,0 Ah ou plus est utilisée.</li> </ul>	<ul style="list-style-type: none"> <li>■ Fixez la batterie à la scie à chaîne.</li>   <li>■ Retirez la batterie, vérifiez les contacts et réinstallez la batterie.</li>   <li>■ Chargez la batterie.</li>   <li>■ Laissez la batterie ou le bloc d'alimentation refroidir jusqu'à ce que la température redescende dans la plage de température de fonctionnement recommandée.</li>   <li>■ Appuyez sur la languette de verrouillage et maintenez-le enfoncé, puis appuyez sur l'interrupteur à gâchette pour mettre la scie à chaîne en marche.</li>   <li>■ Tirez la palette du frein de recul de la chaîne vers l'arrière, en direction de la poignée avant (en position de fonctionnement).</li>   <li>■ Relâchez l'interrupteur à gâchette ; retirez la chaîne et le guide-chaîne du bois, puis redémarrez la scie à chaîne.</li>   <li>■ Appuyez la chaîne contre le bois et déplacez la scie à chaîne d'avant en arrière pour évacuer les débris.</li>   <li>■ Retirez la batterie, puis retirez le couvercle latéral et nettoyez les débris.</li>   <li>■ À utiliser uniquement avec les batteries EGO répertoriées précédemment dans ce manuel.</li> </ul>

PROBLÈME	CAUSE	SOLUTION
<p>La scie à chaîne s'arrête inopinément en cours de fonctionnement.</p>	<ul style="list-style-type: none"> <li>■ La scie à chaîne est surchargée.</li> <li>■ La batterie ou la scie à chaîne est trop chaude.</li> <li>■ La chaîne de la scie est coincée dans le bois.</li> </ul>	<ul style="list-style-type: none"> <li>■ Diminuez la charge.</li> <li>■ Laissez la batterie ou la scie à chaîne refroidir jusqu'à ce que la température tombe dans la plage de température de fonctionnement recommandée.</li> <li>■ Relâchez l'interrupteur à gâchette ; retirez la chaîne et le guide-chaîne du bois, puis redémarrez la scie à chaîne.</li> </ul>
<p>Le moteur fonctionne, mais la chaîne ne tourne pas.</p>	<ul style="list-style-type: none"> <li>■ La chaîne ne s'engage pas dans le pignon d'entraînement.</li> </ul>	<ul style="list-style-type: none"> <li>■ Retirez la batterie et réinstallez la chaîne, en veillant à ce que les maillons d'entraînement de la chaîne soient bien en place sur le pignon.</li> </ul>
<p>Le frein de chaîne ne s'engage pas.</p>	<ul style="list-style-type: none"> <li>■ Des débris empêchent le mouvement complet de la palette de frein anti-rebond de la chaîne.</li> <li>■ Dysfonctionnement possible du frein de chaîne.</li> </ul>	<ul style="list-style-type: none"> <li>■ Nettoyez les débris du mécanisme de freinage externe de la chaîne.</li> <li>■ Cessez immédiatement d'utiliser la scie à chaîne ! Contactez le service clientèle EGO pour une réparation.</li> </ul>

PROBLÈME	CAUSE	SOLUTION
<p>La scie à chaîne ne coupe pas correctement.</p>	<ul style="list-style-type: none"> <li>■ Tension insuffisante de la chaîne.</li> <li>■ Chaîne émoussée.</li> <li>■ Chaîne installée à l'envers.</li> <li>■ Chaîne usée.</li> <li>■ Chaîne sèche ou excessivement étirée.</li> <li>■ La chaîne n'est pas dans la rainure du guide-chaîne.</li> </ul>	<ul style="list-style-type: none"> <li>■ Tendez la chaîne en suivant la section «<b>RÉGLAGE DE LA TENSION DE LA CHAÎNE</b>» jusqu'à ce que la chaîne soit correctement tendue.</li> <li>■ Affûtez les dents de la chaîne en suivant la section «<b>COMMENT AIGUISER LES DENTS</b>».</li> <li>■ Retirez la batterie et réinstallez la chaîne de scie en suivant la section «<b>REPLACEMENT DU GUIDE-CHAÎNE ET DE LA CHAÎNE</b>».</li> <li>■ Retirez la batterie et remplacez la chaîne en suivant la section «<b>REPLACEMENT DU GUIDE-CHAÎNE ET DE LA CHAÎNE</b>».</li> <li>■ Vérifiez le niveau d'huile. Remplissez le réservoir d'huile si nécessaire.</li> <li>■ Retirez la batterie et réinstallez la chaîne de scie, en suivant la section «<b>REPLACEMENT DU GUIDE-CHAÎNE ET DE LA CHAÎNE</b>».</li> </ul>
<p>La chaîne se détache ou tombe du guide-chaîne lors d'une utilisation normale.</p>	<ul style="list-style-type: none"> <li>■ La chaîne se détend au fur et à mesure que la température de la chaîne augmente pendant le fonctionnement normal de la scie.</li> <li>■ La chaîne ne s'engage pas dans le pignon d'entraînement.</li> </ul>	<ul style="list-style-type: none"> <li>■ Tendez la chaîne en suivant la section «<b>RÉGLAGE DE LA TENSION DE LA CHAÎNE</b>» jusqu'à ce que la chaîne soit correctement tendue.</li> <li>■ Retirez la batterie et réinstallez la chaîne en suivant la section «<b>REPLACEMENT DU GUIDE-CHAÎNE ET DE LA CHAÎNE</b>». S'assurer que les maillons d'entraînement de la chaîne sont bien en place sur le pignon.</li> </ul>

PROBLÈME	CAUSE	SOLUTION
Le guide et la chaîne chauffent et fument.	<ul style="list-style-type: none"><li>■ Vérifiez la tension de la chaîne pour vous assurer qu'elle n'est pas trop serrée.</li><li>■ Le réservoir d'huile de chaîne est vide.</li><li>■ Débris dans la rainure du guide-chaîne.</li></ul>	<ul style="list-style-type: none"><li>■ Tendez à nouveau la chaîne en suivant la section «<b>RÉGLAGE DE LA TENSION DE LA CHAÎNE</b>» jusqu'à ce que la chaîne soit correctement tendue.</li><li>■ Remplissez le réservoir de lubrifiant pour guide-chaîne et chaîne.</li><li>■ Retirez les débris de la rainure.</li></ul>

# GARANTIE LIMITÉE D'EGO

## CONDITIONS ET DURÉE DE LA POLITIQUE DE GARANTIE

Chervon North America, Inc. (« Chervon North America ») accorde la Garantie limitée suivante pour les produits EGO à l'acheteur initial de produits EGO.

La période de garantie détaillée de chaque produit EGO est indiquée en ligne à l'adresse <http://egopowerplus.com/warranty-policy>.

**Veillez contacter le Service à la clientèle d'EGO en téléphonant au 1-855-EGO-5656 (appel gratuit)** à tout moment en cas de questions, si vous voulez vous prévaloir de la garantie.

## GARANTIE LIMITÉE DE SERVICE APRÈS-VENTE

Les produits EGO sont garantis contre tout défaut de matériel ou de fabrication à partir de la date d'achat au détail originale et pendant la période de garantie applicable.

Pour toute demande de garantie soumise correctement et dans les délais, si Chervon North America détermine qu'un produit est défectueux pendant la période de garantie, le produit sera réparé ou remplacé gratuitement, selon ce qui aura été déterminé par Chervon North America.

## COMMENT OBTENIR DE L'ASSISTANCE DANS LE CADRE DU SERVICE APRÈS-VENTE

Pour obtenir de l'assistance dans le cadre de la garantie (pendant la période de garantie applicable), veuillez contacter le service à la clientèle d'EGO en téléphonant au **1-855-EGO-5656** (appel gratuit). Lorsque vous demandez de l'assistance dans le cadre de la garantie, vous devez présenter le reçu de vente original daté. Un centre de service après-vente agréé sera sélectionné pour évaluer et réparer le produit défectueux conformément aux conditions de garantie énoncées. Lorsque vous apportez votre produit au centre de service après-vente agréé, il se peut qu'une petite caution vous soit demandée lors du dépôt de votre outil. Cette caution est remboursable lorsque le service de réparation est considéré comme étant couvert par la garantie. Il incombe à l'acheteur d'effectuer le transport de tous les équipements électriques d'extérieur ou attachements à ses frais.

## LIMITATIONS ET EXCLUSIONS SUPPLÉMENTAIRES

Cette garantie limitée ne s'applique qu'à l'acheteur initial d'un produit à un revendeur agréé EGO, et elle ne peut pas être cédée. Les produits EGO ne sont pas considérés comme défectueux et la présente garantie ne s'applique pas lorsque le défaut invoqué est imputable à une cause autre que les défauts définis ci-dessus. Cette garantie est nulle et non avenue si le produit a été utilisé à des fins de location. La présente garantie ne s'applique pas aux dommages causés par un accident, un abus, une mauvaise utilisation, une altération, une modification, une réparation non autorisée, un contact avec un liquide, un incendie, un tremblement de terre ou toute autre cause externe ; par une utilisation du produit en dehors des instructions, spécifications ou directives d'EGO ; ou par un manquement à l'entretien ou à la maintenance convenable du produit. Cette garantie ne s'applique pas non plus aux dommages esthétiques, y compris, mais sans s'y limiter, les rayures ou les bosses, ainsi qu'aux défauts causés par l'usure normale ou autrement dus au vieillissement normal du produit.

CETTE GARANTIE EXPRESSE EST DONNÉE EN LIEU ET PLACE DE TOUTE AUTRE GARANTIE, EXPRESSE OU IMPLICITE, Y COMPRIS, MAIS SANS S'Y LIMITER, TOUTE GARANTIE DE QUALITÉ MARCHANDE OU D'ADÉQUATION À UN USAGE PARTICULIER, QUI EST REJETÉE. Toute garantie implicite, y compris la garantie de qualité marchande ou d'adéquation à un usage particulier qui ne peut être rejetée en vertu de la loi de l'État ou de la province est limitée à la période de garantie applicable définie au début de cet article. Le seul et unique recours en rapport avec l'achat, l'installation, l'utilisation et/ou la performance des produits EGO est la réparation ou le remplacement du produit selon la décision de Chervon North America. La responsabilité maximale de Chervon North America ne dépassera en aucun cas le prix d'achat payé pour le produit. CHERVON NORTH AMERICA NE SERA PAS RESPONSABLE ENVERS L'UTILISATEUR OU TOUTE AUTRE PERSONNE DES DOMMAGES CONSÉCUTIFS, ACCIDENTELS, SPÉCIAUX, EXEMPLAIRES, INDIRECTS OU PUNITIFS RÉSULTANT DE L'UTILISATION DES PRODUITS, Y COMPRIS, MAIS SANS S'Y LIMITER, LES PRÉJUDICES CORPORELS, LA MORT, LES DOMMAGES MATÉRIELS, LA PERTE DE BÉNÉFICES OU TOUT AUTRE DOMMAGE ÉCONOMIQUE. Cette garantie vous confère des garanties juridiques particulières, et vous pouvez aussi avoir d'autres droits, qui varient selon l'État ou la province. Étant donné que certains États et certaines provinces ne permettent pas de limitations quant à la durée d'une garantie implicite ou ne permettent pas l'exclusion ou la limitation des dommages indirects ou secondaires, ou le délai de prescription pour intenter certaines actions, il est possible que les limitations contenues aux présentes ne s'appliquent pas à consommateurs dans ces États ou provinces.



Cette garantie est soumise au droit du Michigan et doit être interprétée conformément au droit du Michigan sans tenir compte des principes de conflits de lois. Aucune action en justice ne pourra être intentée contre Chervon North America si elle n'est pas déposée dans un délai d'un (1) an après que le fondement de cette action en justice aura été connu, ou qu'il aurait dû l'être si une diligence raisonnable avait été exercée. Toute action non intentée dans les délais est réputée abandonnée.

Pour le service à la clientèle, contactez-nous en téléphonant au numéro suivant (appel gratuit) : **1-855-EGO-5656** ou **EGOPOWERPLUS.COM**.  
EGO Customer Service,  
769 Seward Ave. NW, Suite 102,  
Grand Rapids, Michigan 49504.

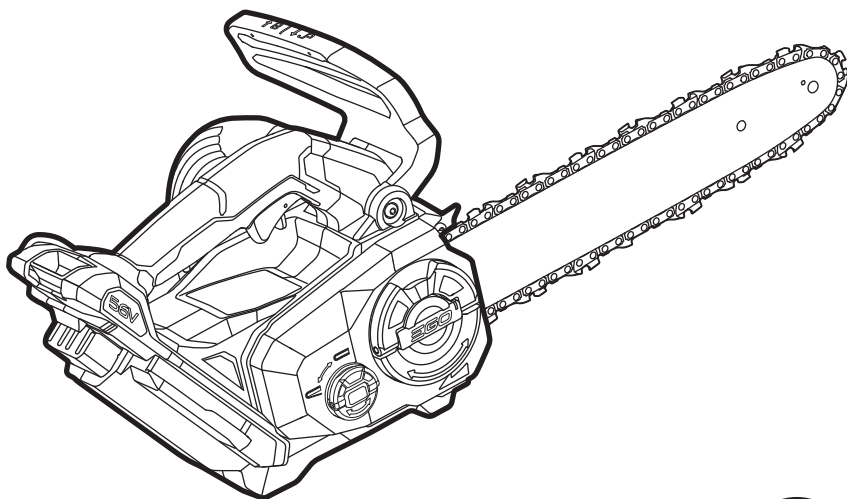
**100**

SCIE À CHAÎNE COMPACTE 12" SANS FIL — CS1200/CS1200-FC



# EGO™

POWER<sup>+</sup> CHAIN SAW™



MANUAL DEL USUARIO

## MOTOSIERRA COMPACTA INALÁMBRICA DE 12"

NÚMERO DE MODELO CS1200/CS1200-FC

**⚠ ADVERTENCIA:** Para reducir el riesgo de lesiones, el usuario debe leer y comprender el Manual del propietario antes de usar este producto. Guarde estas instrucciones para referencia futura.

# ¡LEA TODAS LAS INSTRUCCIONES!



LEA Y ENTIENDA EL  
MANUAL DEL OPERADOR

Símbolos de seguridad .....	103
Símbolos .....	104-105
Advertencias generales de seguridad de la herramienta ....	106-110
Instrucciones de seguridad para motosierras .....	110-117
Instrucciones de seguridad adicionales .....	117-118
Introducción .....	118
Especificaciones .....	119
Lista de empaque .....	119
Descripción .....	120-122
Ensamblaje .....	123
Utilización .....	123-134
Mantenimiento .....	135-144
Solución de problemas .....	145-148
Garantía Limitada de EGO .....	149-150

# SÍMBOLOS DE SEGURIDAD

El propósito de los símbolos de seguridad es alertarlo sobre posibles peligros. Los símbolos de seguridad y sus explicaciones merecen una atención y comprensión minuciosas. Las advertencias de los símbolos, por sí mismas, no eliminan los peligros. Las instrucciones y las advertencias no sustituyen las medidas de prevención de accidentes que correspondan.

**⚠ ADVERTENCIA:** Antes de utilizar esta herramienta, asegúrese de leer y comprender todas las instrucciones de seguridad en este Manual del propietario, incluidos todos los símbolos de alerta de seguridad como “**PELIGRO**”, “**ADVERTENCIA**” y “**PRECAUCIÓN**”. No seguir todas las instrucciones que se indican a continuación podría resultar en descargas eléctricas, incendios y/o lesiones personales graves.

Las definiciones que aparecen a continuación describen el nivel de gravedad de cada palabra de aviso. Por favor, lea el manual y preste atención a estos símbolos.	
	Este es el símbolo de alerta de seguridad. Se utiliza para alertarle a usted de posibles peligros de lesiones corporales. Obedezca todos los mensajes de seguridad que sigan a este símbolo para evitar posibles lesiones o la muerte.
<b>⚠ PELIGRO</b>	PELIGRO indica una situación peligrosa que, si no se evita, causará la muerte o lesiones graves.
<b>⚠ ADVERTENCIA</b>	ADVERTENCIA indica una situación peligrosa que, si no se evita, podría causar la muerte o lesiones graves.
<b>⚠ PRECAUCIÓN</b>	PRECAUCIÓN, utilizada con el símbolo de alerta de seguridad, indica una situación peligrosa que, si no se evita, podría causar lesiones leves o moderadas.

## MENSAJES DE PREVENCIÓN DE DAÑOS E INFORMACIÓN

Estos mensajes ofrecen al usuario información y/o instrucciones importantes que, de no seguirse, podrían causar daños al equipo u otros daños materiales. Antes de cada mensaje, aparece la palabra “**AVISO**”, como en el ejemplo a continuación:

**AVISO:** Si no se siguen estas instrucciones se pueden producir daños al equipo y/o daños materiales.

## SÍMBOLOS

Esta página muestra y describe los símbolos de seguridad que pueden aparecer en este producto. Lea, comprenda y siga todas las instrucciones de la máquina antes de ensamblarla y utilizarla.

	Alerta de seguridad	Precauciones que involucran la seguridad del operador.
	Lea y entienda el Manual del operador	Para reducir el riesgo de lesiones, el usuario debe leer y entender el manual del operador antes de utilizar este producto.
	Use protección ocular	Use siempre anteojos de seguridad o gafas de seguridad con escudos laterales y una careta completa cuando utilice este producto.
	Use protección de oídos	Es posible que el ruido de la motosierra dañe la audición del operador. Use siempre barreras contra el sonido (tapones de oídos u orejeras) para protegerse la audición.
	Use protección de la cabeza	Use un casco de seguridad aprobado para protegerse la cabeza.
	Use guantes protectores	Protéjase las manos con guantes cuando maneje la sierra y la cadena de la sierra. Los guantes antideslizantes gruesos mejoran el agarre y protegen las manos.
	Use calzado de seguridad	Use calzado de seguridad antideslizante cuando utilice este equipo.
	Retroceso de la punta de la espada	El contacto con la punta puede hacer que la espada se mueva repentinamente hacia arriba y hacia atrás, lo cual puede causar lesiones graves.

	Agarre con las dos manos	Use siempre las dos manos cuando utilice la motosierra.
IP...	Grado de protección contra la penetración	Clasifica el grado de protección proporcionada por un recinto cerrado para equipos eléctricos.
	Corriente continua (CC)	Tipo o característica de corriente
V	Voltio	Tensión
mm	Milímetro	Longitud o tamaño
cm	Centímetro	Longitud o tamaño
ft	Pie	Longitud o tamaño
in.	Pulgada	Longitud o tamaño
kg	Kilogramo	Peso
lb	Libra	Peso
ml	Mililitro	Volumen
fl.oz	Onza líquida	Volumen
°C	Grados Celsius	Temperatura
°F	Grados Fahrenheit	Temperatura

# ADVERTENCIAS GENERALES DE SEGURIDAD DE LA HERRAMIENTA

**⚠ ADVERTENCIA** lea todas las advertencias de seguridad, las instrucciones, las ilustraciones y las especificaciones que se incluyen con esta herramienta eléctrica. No seguir todas las instrucciones que se detallan a continuación podría provocar descargas eléctricas, incendios o lesiones graves.

**Guarde todas las advertencias e instrucciones para referencia futura.**

El término “máquina” que se incluye en las advertencias se refiere a su máquina alimentada por la red eléctrica (alámbrica) o su máquina alimentada por baterías (inalámbrica).

## Seguridad en el área de trabajo

- **Mantenga el área de trabajo limpia y bien iluminada.** Las áreas desordenadas u oscuras aumentan las posibilidades de accidentes.
- **No utilice herramientas eléctricas en atmósferas en las que exista riesgo de explosión, como por ejemplo en presencia de líquidos inflamables, gases o polvo.** Las herramientas eléctricas producen chispas que podrían encender el polvo o el humo.
- **Mantenga a los niños y transeúntes alejados mientras opera una herramienta eléctrica.** Las distracciones pueden hacer que pierda el control.

## Seguridad eléctrica

- **Los enchufes de las máquinas deben coincidir con el tomacorriente. No modifique nunca el enchufe de ninguna manera. No utilice enchufes adaptadores con máquinas conectadas a tierra (puestas a masa).** Los enchufes no modificados y los tomacorrientes coincidentes reducirán el riesgo de descargas eléctricas.
- **Evite el contacto del cuerpo con las superficies conectadas a tierra o puestas a masa, tales como tuberías, radiadores, estufas de cocina y refrigeradores.** Hay un mayor riesgo de descargas eléctricas si su cuerpo está conectado a tierra o puesto a masa.

- **No exponga las máquinas a la lluvia ni a condiciones mojadas.** La entrada de agua en una máquina aumentará el riesgo de descargas eléctricas.
- **No maltrate el cable. No use nunca el cable para transportar, jalar o desenchufar la herramienta eléctrica. Mantenga el cable alejado del calor, el aceite, los bordes afilados o las piezas móviles.** Los cables dañados o enredados aumentan el riesgo de descargas eléctricas.
- **Cuando utilice una herramienta eléctrica a la intemperie, use un cable de extensión que sea adecuado para uso a la intemperie.** La utilización de un cable de extensión adecuado para uso a la intemperie reduce el riesgo de descargas eléctricas.
- **Si es inevitable utilizar una herramienta eléctrica en un lugar húmedo, utilice una fuente de alimentación protegida por un interruptor de circuito accionado por corriente de pérdida a tierra (GFCI, por sus siglas en inglés).** El uso de un GFCI reduce el riesgo de descargas eléctricas.

## Seguridad Personal

- **Manténgase alerta, fíjese en lo que está haciendo y use el sentido común cuando utilice una herramienta eléctrica. No utilice una herramienta eléctrica mientras esté cansado o bajo la influencia de drogas, alcohol o medicamentos.** Es posible que un momento de desatención mientras se estén utilizando herramientas eléctricas cause lesiones corporales graves.
- **Use equipo de protección personal. Use siempre protección ocular.** El equipo de protección, tal como una máscara antipolvo, zapatos de seguridad antideslizantes, casco o protección de la audición, utilizado según lo requieran las condiciones, reducirá las lesiones corporales.
- **Evite los arranques accidentales. Asegúrese de que el interruptor esté en la posición de apagado antes de conectar la herramienta al paquete de batería, levantar la herramienta o transportarla.** Si se transportan herramientas eléctricas con el dedo en el interruptor o si se suministra corriente a herramientas eléctricas que tengan el interruptor en la posición de encendido se invita a que se produzcan accidentes.
- **Retire todas las llaves de ajuste o de tuerca antes de encender la herramienta eléctrica.** Es posible que una llave de ajuste o de tuerca que se deje sujeta a una pieza móvil de la herramienta eléctrica cause lesiones corporales.
- **No intente alcanzar demasiado lejos. Mantenga un apoyo de los pies y un equilibrio adecuados en todo momento.** Esto permite un mejor control de la herramienta eléctrica en situaciones inesperadas.

- **Vístase adecuadamente. No use ropa holgada ni joyas. Mantenga el pelo y la ropa alejados de las piezas móviles.** La ropa holgada, las joyas o el pelo largo pueden quedar atrapados en las piezas móviles.
- **Si se proporcionan dispositivos para la conexión de instalaciones de extracción y recolección de polvo, asegúrese de que dichos dispositivos estén conectados y se utilicen correctamente.** El uso de dispositivos de recolección de polvo puede reducir los peligros relacionados con el polvo.
- **No deje que la familiaridad obtenida del uso frecuente de las herramientas le permita volverse complaciente e ignorar los principios de seguridad de las herramientas.** Una acción descuidada puede causar lesiones graves en una fracción de segundo.

## Uso y cuidado de la máquina

- **No fuerce la herramienta eléctrica. Utilice la herramienta eléctrica adecuada para su tarea.** La herramienta eléctrica adecuada realizará un trabajo más seguro y de mejor calidad al ritmo para el que fue diseñada.
- **No utilice la herramienta eléctrica si el interruptor no la enciende y apaga.** Cualquier herramienta eléctrica que no pueda controlarse con el interruptor es peligrosa y debe repararse.
- **Desconecte el enchufe de la fuente de alimentación y/o retire el paquete de batería de la máquina, si es retirable, antes de hacer cualquier ajuste, cambiar accesorios o almacenar máquinas.** Dichas medidas preventivas de seguridad reducen el riesgo de arrancar accidentalmente la máquina.
- **Almacene las herramientas eléctricas que no estén en uso fuera del alcance de los niños y no permita que personas no familiarizadas con la herramienta o estas instrucciones la operen.** Las herramientas eléctricas son peligrosas en manos de usuarios sin capacitación.
- **Realice mantenimiento a las herramientas eléctricas y a los accesorios. Revise si hay piezas móviles desalineadas o atoradas, si hay piezas rotas y cualquier otra condición que pueda afectar el funcionamiento de la herramienta eléctrica. Si se daña la herramienta eléctrica, hágala reparar antes de usarla.** Muchos accidentes son producto del mantenimiento incorrecto de las máquinas.
- **Mantenga las máquinas de corte afiladas y limpias.** Las máquinas de corte mantenidas adecuadamente, con bordes de corte afilados, tienen menos probabilidades de atorarse y son más fáciles de controlar.



- **Use la herramienta eléctrica, los accesorios, las brocas, etc., de acuerdo con estas instrucciones, teniendo en cuenta las condiciones de trabajo y el trabajo que realizará.** El uso de la herramienta eléctrica para diferentes funciones distintas a las previstas podría crear una situación de peligro.
- **Mantenga los mangos y las superficies de agarre secos, limpios y libres de aceite y grasa.** Es posible que los mangos resbalosos y las superficies de agarre resbalosas no permitan un manejo y un control seguros de la máquina en situaciones inesperadas.

## Uso y cuidado de las máquinas a batería

- **Recargue el paquete de baterías solo con el cargador especificado por el fabricante.** Un cargador adecuado para un tipo de paquete de batería puede crear un riesgo de incendio cuando se usa con otro paquete de batería.
- **Use las herramientas eléctricas solo con los paquetes de baterías específicamente designados para ellas.** El uso de cualquier otro paquete de batería puede crear un riesgo de lesión e incendio.
- **Cuando el paquete de baterías no está en uso, aléjelo de objetos metálicos, como sujetapapeles, monedas, llaves, clavos, tornillos u otros objetos metálicos pequeños que pudieran crear una conexión entre los terminales.** Es posible que conectar los terminales de la batería entre sí produzca quemaduras o un incendio.
- **En condiciones de maltrato, es posible que salga líquido de la batería. Evite el contacto. Si se produce un contacto accidental, enjuague con agua. Si el líquido entra en contacto con los ojos, solicite atención médica adicional.** El líquido que sale de la batería puede provocar irritación o quemaduras.
- **No utilice un paquete de baterías ni una herramienta si están dañadas o modificadas.** Las baterías dañadas o modificadas pueden mostrar una conducta impredecible que podría provocar incendios, explosiones o riesgo de lesiones.
- **No exponga el paquete de baterías ni la herramienta al fuego o a una temperatura excesiva.** La exposición al fuego o a temperaturas por encima de los 212 °F (100 °C) puede causar una explosión.
- **Siga todas las instrucciones de carga y no cargue el paquete de baterías ni las herramientas fuera del rango de temperatura especificado en las instrucciones.** La carga inadecuada o a temperaturas fuera del rango especificado podría dañar la batería y aumentar el riesgo de incendio.

## MANTENIMIENTO

- **Permita que solo una persona capacitada repare la herramienta eléctrica, mediante el uso solo de piezas de repuesto idénticas.** Esto mantendrá la seguridad de la herramienta eléctrica.
- **Nunca realice mantenimiento a los paquetes de baterías.** Solo el fabricante o proveedores de servicio autorizados pueden realizar el mantenimiento de los paquetes de baterías.

## INSTRUCCIONES DE SEGURIDAD PARA MOTOSIERRAS

- **Mantenga todas las partes del cuerpo alejadas de la cadena de la sierra cuando la motosierra esté en funcionamiento. Antes de arrancar la motosierra, asegúrese de que la cadena de la sierra no esté en contacto con nada.** Es posible que un momento de desatención mientras se estén utilizando motosierras haga que la ropa o el cuerpo del operador se enganchen con la cadena.
- **Agarre siempre la motosierra con la mano derecha en la empuñadura trasera y la mano izquierda en la empuñadura delantera.** Si se agarra la motosierra con una configuración invertida de las manos, se aumenta el riesgo de lesiones corporales y esto no se deberá hacer nunca.
- **Sostenga la motosierra solo por las superficies de agarre aisladas, porque la cadena de la motosierra puede entrar en contacto con el cableado que está oculto.** Si la cadena de la motosierra entra en contacto con un cable energizado, pueden energizarse las piezas metálicas expuestas de la herramienta eléctrica y puede electrocutarse el usuario.
- **Use gafas de seguridad y protección auditiva. Se recomienda también el uso de equipos de protección para la cabeza, las manos, las piernas y los pies.** El uso de la ropa protectora correspondiente reduce el riesgo de sufrir lesiones causadas por el material despedido o por el contacto accidental con la cadena de la motosierra.
- **No opere una motosierra en un árbol, en una escalera, desde un tejado o cualquier soporte inestable.** La operación de una motosierra de esta manera podría resultar en lesiones personales graves.

- **Siempre manténgase bien parado y utilice la motosierra solo si usted se encuentra sobre una superficie estable, segura y nivelada.** Las superficies resbaladizas o inestables como las escaleras pueden provocar la pérdida de equilibrio o del control de la motosierra.
- **Al cortar ramas sometidas a tensión, esté atento al efecto látigo.** Cuando se libera la tensión de las fibras de la madera, la rama tensa puede golpear al usuario o hacer descontrolar la motosierra.
- **Sea extremadamente precavido al cortar maleza y árboles jóvenes.** Las ramas delgadas pueden quedar atrapadas con la cadena de la motosierra y golpear al usuario o hacerlo perder el equilibrio.
- **Transporte la motosierra apagada y tomándola de la empuñadura frontal, lejos del cuerpo. Al transportar o guardar la motosierra, siempre coloque la cubierta de la espada.** La manipulación correcta de la motosierra reduce la probabilidad de que se haga contacto de forma accidental con la cadena de la motosierra en movimiento.
- **Siga las instrucciones para la lubricación, la tensión de la cadena y el cambio de accesorios.** Si la cadena no tiene la tensión o la lubricación correctas, aumenta el riesgo de que se produzca el efecto rebote o una avería en la herramienta.
- **Corte solo madera. No use la motosierra para fines que no sean los previstos. Por ejemplo: no use la motosierra para cortar metal, plástico, mampostería o materiales de construcción que no sean de madera.** El uso de la motosierra en operaciones que no son las previstas puede producir una situación de peligro.
- **Esta motosierra no está diseñada para talar árboles.** El uso de la motosierra para operaciones distintas de las previstas puede provocar lesiones graves al operador o a otras personas.
- **Siga todas las instrucciones cuando retire material atorado, almacene la motosierra o le haga servicio de ajustes y reparaciones. Asegúrese de que el interruptor esté en la posición de apagado y que el paquete de batería se haya retirado.** Es posible que un accionamiento inesperado de la motosierra mientras se retira material atorado o se realiza servicio de ajustes y reparaciones cause lesiones corporales graves.
- **No intente talar un árbol hasta haber entendido cuáles son los riesgos y cómo evitarlos.** El operador o los transeúntes pueden sufrir lesiones graves durante la tala de un árbol.

- El usuario primerizo debe, como mínimo, practicar el corte de troncos en un caballete o en un soporte.

## **CAUSAS DEL RETROCESO Y SU PREVENCIÓN POR EL OPERADOR**

Es posible que ocurra retroceso cuando la nariz o la punta de la espada toque un objeto, o cuando la madera se cierre y pellizque la cadena de la sierra en el corte.

Es posible que el contacto con la punta en algunos casos cause una reacción inversa repentina y lance la espada hacia arriba y hacia atrás, hacia el operador.

Es posible que si la cadena de la sierra se pellizca a lo largo de la parte superior de la espada, dicha espada resulte empujada rápidamente hacia atrás, hacia el operador.

Es posible que cualquiera de estas dos reacciones haga que usted pierda el control de la sierra, lo cual podría causar lesiones corporales graves. No confíe exclusivamente en los dispositivos de seguridad incorporados a la sierra. Como usuario de una motosierra, usted deberá tomar varias medidas para mantener los trabajos de corte que realice libres de accidentes o lesiones.

El retroceso es el resultado de un uso indebido de la motosierra y/o procedimientos o condiciones de utilización incorrectos, y se puede evitar tomando las precauciones debidas, tal y como se indica a continuación:

- **Mantenga un agarre firme, con los pulgares y los dedos formando un círculo alrededor de las empuñaduras de la motosierra, con ambas manos en la sierra, y posicione el cuerpo y el brazo de manera que le permitan resistir las fuerzas de retroceso.** Las fuerzas de retroceso pueden ser controladas por el operador, si se toman las precauciones adecuadas. No suelte la motosierra.
- **No intente alcanzar demasiado lejos y no corte a una altura por encima del hombro.** Esto ayuda a prevenir el contacto accidental con la punta y permite un mejor control de la motosierra en situaciones inesperadas.
- **Utilice únicamente espadas y cadenas de sierra de repuesto especificadas por el fabricante.** Es posible que las espadas y cadenas de sierra de repuesto incorrectas causen rotura de la cadena y/o retroceso.
- **Siga las instrucciones de afilado y mantenimiento del fabricante de la motosierra.** Una disminución de la altura del calibre de profundidad puede causar un aumento del retroceso.

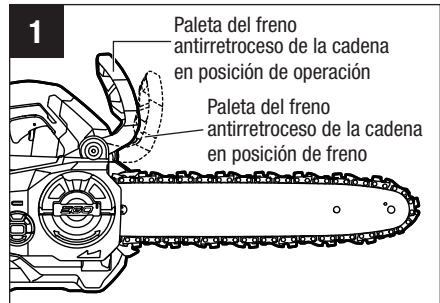
## DISPOSITIVOS DE SEGURIDAD ANTIRRETROCESO DE ESTA MOTOSIERRA

### Freno de la cadena

La motosierra viene equipada con un freno de la cadena, el cual detiene tanto el motor como el movimiento de la cadena cuando ocurre retroceso. El freno de la cadena se puede activar por medio del movimiento hacia delante de la paleta del freno antirretroceso de la cadena mientras la sierra rota hacia atrás durante un retroceso; también se puede activar por las fuerzas de inercia generadas durante un empuje rápido hacia atrás.

**⚠ ADVERTENCIA:** No modifique nunca ni intente desactivar el freno de la cadena.

Asegúrese de que el freno de la cadena esté funcionando correctamente antes de utilizar la motosierra. La paleta del freno antirretroceso de la cadena se debería mover fácilmente hacia detrás y hacia delante.



Para comprobar el funcionamiento del freno de la cadena, realice las siguientes acciones (Fig. 1):

- Coloque la motosierra sobre una superficie plana y despejada, y asegúrese de que no haya objetos ni obstrucciones en proximidad inmediata que podrían entrar en contacto con la espada y la cadena.
- Desactive el freno de la cadena jalando la paleta del freno antirretroceso de la cadena hacia la empuñadura delantera.
- Arranque la motosierra.
- Empuje la paleta del freno antirretroceso de la cadena hacia la parte delantera de la sierra. Un freno de mano que funcione correctamente detendrá inmediatamente el movimiento de la cadena. Si el freno de la cadena no está funcionando correctamente, no utilice la motosierra hasta que el freno haya sido reparado por un técnico de servicio calificado.

**⚠ ADVERTENCIA:** Confirme que el freno de la cadena funciona correctamente antes de cada uso.

**⚠ ADVERTENCIA:** Si el freno de la cadena está obstruido con virutas de madera, es posible que la función de dicho freno se deteriore. Mantenga siempre limpio el dispositivo.

## Cadena de bajo retroceso

La parte frontal de cada eslabón cortante (calibres de profundidad) pueden minimizar la fuerza de la reacción de rebote evitando que los eslabones cortantes se introduzcan a demasiada profundidad en la zona de rebote. Use solo una cadena de repuesto que sea equivalente a la cadena original o que haya sido certificada como cadena de

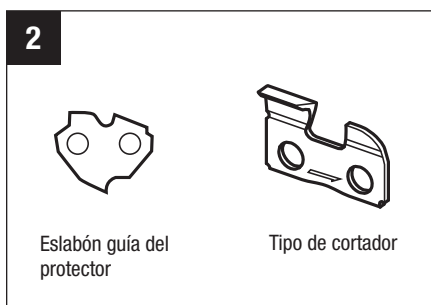
bajo rebote según la norma ANSI B175.1. Una cadena para motosierra con dientes de bajo rebote es una cadena que cumple con los requisitos de rendimiento en rebote de la norma ANSI B175.5 - 1991 (norma nacional estadounidense sobre herramientas eléctricas; requisitos de seguridad para motosierras a gasolina y eléctricas) al someterse a pruebas en la muestra representativa de motosierras por debajo de las 3,8 pulg. cúbicas de desplazamiento especificadas en ANSI B175.1-1991.

El eslabón guía del protector (Fig. 2) también ayuda a ofrecer un rendimiento de bajo retroceso.

**⚠ PRECAUCIÓN:** A medida que se afilan las cadenas de motosierras durante su vida útil, pierden parte de las cualidades de bajoretroceso, por lo que deben tomarse precauciones adicionales al utilizarlas.

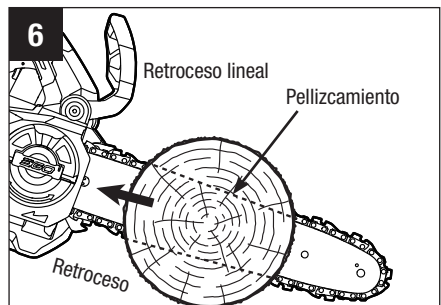
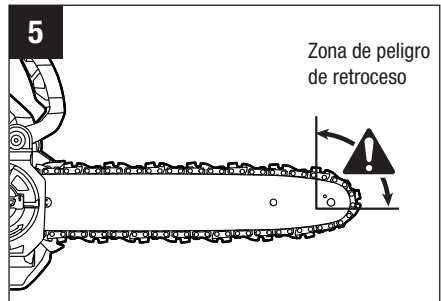
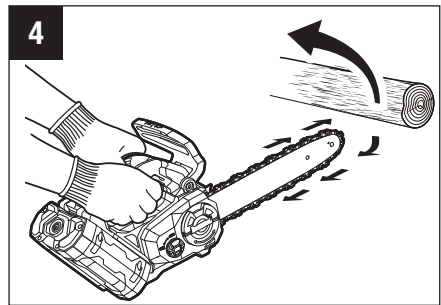
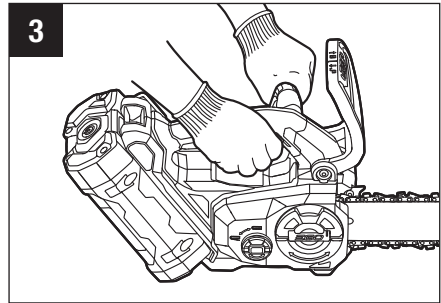
## ESPADAS

Esta motosierra viene equipada con una espada cuya punta tiene un radio pequeño. Las puntas de radios pequeños generalmente presentan un potencial menor de retroceso. Al reemplazar la espada, asegúrese de solicitar la espada especificada en este manual

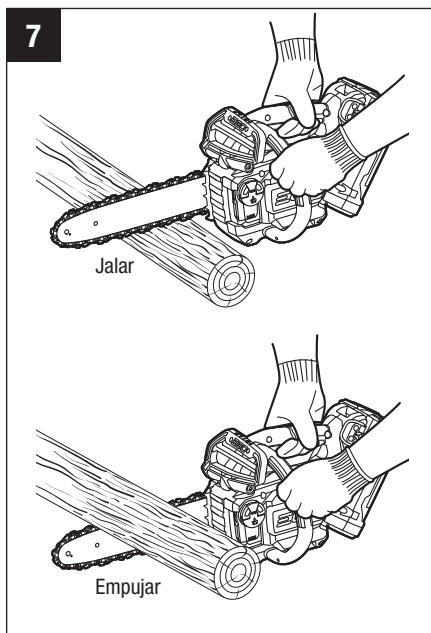


## ADDITIONAL WARNINGS

- Si tiene una comprensión básica del retroceso (Fig. 3-5), puede reducir o eliminar el elemento sorpresa. La sorpresa repentina contribuye a que se produzcan accidentes.
- Asegúrese de que el área donde está cortando esté libre de obstrucciones. No deje que la punta de la espada haga contacto con troncos, ramas, cercas ni ninguna otra obstrucción que podría ser golpeada al utilizar la motosierra.
- Inspeccione la pieza de trabajo para verificar que no tenga clavos, cables ni ningún otro objeto extraño antes de cortarla.
- Mantenga un apoyo de los pies y un equilibrio adecuados en todo momento.
- Las motosierras deben usarse con las dos manos. Si se usan con una sola mano, el operador, los ayudantes y/o los transeúntes pueden sufrir lesiones graves (Fig. 3).
- Corte siempre con la máquina a velocidad plena. Presione el gatillo interruptor a fondo y mantenga la velocidad de corte.



- **Empuje y tracción:** la fuerza de reacción siempre es opuesta a la dirección en que se mueve la cadena donde hace contacto con la madera. Por lo tanto, el operador debe estar preparado para controlar el movimiento de TRACCIÓN cuando está cortando con el borde inferior de la espada y el movimiento de EMPUJE cuando está cortando con el borde superior (Fig. 7).



- **Evite el contacto accidental con la cadena de la motosierra estática o los rieles de la espada.** Estas pueden ser muy filosas. Use siempre guantes y pantalones largos o chaparreras al manipular la motosierra, la cadena de la motosierra o la espada.
- **No utilice nunca una motosierra si está dañada o ajustada incorrectamente, o si no está ensamblada de forma completa y segura.** Asegúrese de que la cadena de la sierra se detenga al soltar el gatillo interruptor.
- **A tronzar, asegure la pieza de trabajo antes de cortar. Al podar, identifique y asegure las ramas peligrosas.**
- **Si se usa la motosierra indebidamente o se abusa al cortar el material, se puede producir el desgaste prematuro de la espada, la cadena o el piñón, además de que puede averiarse la cadena o la espada y producirse el efecto de contragolpe, despedirse la cadena o dispararse el material.**
- **No use nunca la espada como palanca.** Si la espada está doblada, se puede producir desgaste prematuro de la espada, la cadena y/o el piñón, además de que puede romperse la cadena o la espada y producirse retroceso, lanzamiento de la cadena o eyección del material.
- **Corte solo una pieza de trabajo a la vez.**



**NOTA:** Esta sierra no funcionará con baterías EGO de mayor tamaño. Sólo las siguientes baterías son compatibles con esta sierra:

PAQUETE DE BATERÍA
BA1400, BA1400-FC, BA2800, BA2800-FC, BA1400T, BA1400T-FC, BA2242T, BA2242T-FC, BA2800T, BA2800T-FC

- Utilizar sólo con los cargadores indicados a continuación:

CARGADOR
CH2100, CH2100-FC, CH3200, CH3200-FC, CH5500, CH5500-FC, CH2800D, CH2800D-FC, CH7000, CH7000-FC, CH7000T, CH7000T-FC

- No cargue el paquete de batería en la lluvia o en lugares húmedos.
- Si se presentan situaciones que no se cubren en este manual, proceda con precaución y buen juicio. Póngase en contacto con el Departamento de Servicio al Cliente de EGO para obtener ayuda.

## INSTRUCCIONES DE SEGURIDAD ADICIONALES

**⚠ ADVERTENCIA:** El taladrado, el aserrado, el lijado o el maquinado de productos de madera puede exponerlo a usted a polvo de madera, una sustancia que el Estado de California sabe que causa cáncer. Evite inhalar el polvo de madera o utilice una máscara antipolvo u otras salvaguardas de protección personal. Para obtener más información, visite [www.P65Warnings.ca.gov/wood](http://www.P65Warnings.ca.gov/wood).

**⚠ ADVERTENCIA:** Cierto polvo generado por las operaciones de lijado, aserrado, amolado y taladrado con herramientas eléctricas, así como por otras actividades de construcción, contiene sustancias químicas que el estado de California sabe que causan cáncer, defectos de nacimiento u otros daños sobre la reproducción. Algunos ejemplos de estas sustancias químicas son:

- Plomo procedente de pinturas a base de plomo
- Sílice cristalina procedente de ladrillos, cemento y otros productos de mampostería
- Arsénico y cromo procedentes de madera de construcción tratada químicamente

El riesgo para usted por causa de estas exposiciones varía, dependiendo de qué tan a menudo realice este tipo de trabajo. Para reducir su exposición a estas sustancias químicas:

- Trabaje en un área bien ventilada.
- Trabaje con equipo de seguridad aprobado, tal como máscaras antipolvo que estén diseñadas especialmente para filtrar las partículas microscópicas.
- Evite el contacto prolongado con el polvo procedente de las operaciones de lijado, aserrado, amolado y taladrado con herramientas eléctricas, así como de otras actividades de construcción. Use ropa protectora y lave las áreas expuestas del cuerpo con agua y jabón. Si deja que le entre polvo en la boca o en los ojos, o que le quede polvo en la piel, es posible que se promueva la absorción de sustancias químicas perjudiciales.

### **GUARDE ESTAS INSTRUCCIONES!**

## **INTRODUCCIÓN**

Felicitaciones por haber seleccionado la nueva generación de motosierras con batería de iones de litio de 56 V. Ha sido diseñada, construida y fabricada para brindarle la mejor confiabilidad y rendimiento posibles.

En caso de que tuviera algún problema que no pudiera resolver fácilmente, póngase en contacto con el Servicio al Cliente de EGO llamando al 1-855-EGO-5656.

Este manual contiene información importante para el ensamble, el funcionamiento y el mantenimiento seguro de su producto. Léalo detenidamente antes de usar el producto. Mantenga este manual a mano para poder consultarlo en cualquier momento.

NÚMERO DE SERIE \_\_\_\_\_ FECHA DE COMPRA \_\_\_\_\_

DEBE ANOTAR EL NÚMERO DE SERIE Y LA FECHA DE COMPRA Y CONSERVARLOS EN UN LUGAR SEGURO PARA CONSULTARLOS EN EL FUTURO.

## ESPECIFICACIONES

Tensión nominal	56 V CC
Longitud de la espada	12 pulgadas (304.8 mm)
Paso de la cadena	3/8 pulgadas (9.525 mm) LP
Calibre de la cadena	0.043 pulgadas (1.1 mm)
Número de eslabones guía	45
Velocidad máx. de la cadena	20m/s
Capacidad del depósito de aceite de la cadena	5.0 oz (150ml)
Temperatura de funcionamiento recomendada	5°F – 104°F (-15°C – 40°C)
Temperatura de almacenamiento recomendada	-4°F – 158°F (-20°C – 70°C)
Peso (sin paquete de batería, cadena de sierra, espada, cubierta lateral, aceite ni funda de la cadena)	4,2 lb. (1,9 kg)
Grado de protección contra la penetración	IPX4* (Protección contra las salpicaduras de agua)

\* **NOTA:** La calificación IPX4 se basa en que la máquina y la batería se utilicen juntas como un sistema.

### Cadena y espada recomendadas para esta motosierra

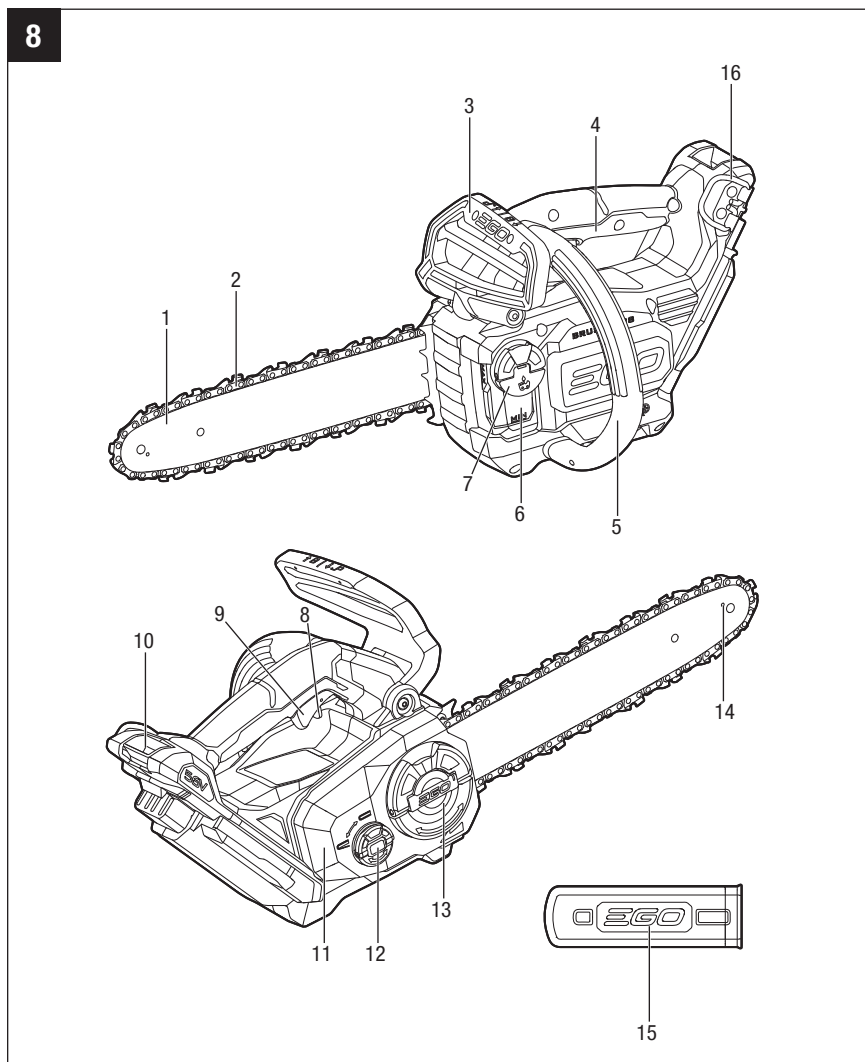
NOMBRE DE LA PIEZA	NÚMERO DE MODELO
Espada + Cadena de sierra	AK1204
Cadena de sierra	AC1204

## LISTA DE EMPAQUE

NOMBRE DE LA PIEZA	CANTIDAD
Motosierra	1
Funda de la cadena	1
Manual del operador	1

# DESCRIPCIÓN

CONOZCA SU MOTOSIERRA (Fig. 8)



- |   |                                       |
|---|---------------------------------------|
| 1. Barra guía                               | 9. Interruptor de gatillo             |
| 2. Cadena de sierra                         | 10. Botón de liberación de la batería |
| 3. Paleta de freno de contragolpe de cadena | 11. Cubierta lateral                  |
| 4. Mango trasero                            | 12. Botón de tensado de la cadena     |
| 5. Mango delantero                          | 13. Botón de la cubierta lateral      |
| 6. Ventana de inspección del aceite         | 14. Orificio de lubricación           |
| 7. Tapón del depósito de aceite             | 15. Funda de la cadena                |
| 8. Lengüeta de bloqueo                      | 16. Anilla para cordón                |

**⚠ ADVERTENCIA:** El uso seguro de este producto requiere la comprensión de la información del producto y de este manual de instrucciones, así como el conocimiento del proyecto a realizar. Antes de utilizar este producto, familiarícese con todas las características de funcionamiento y las normas de seguridad.

### **Paleta de freno de contragolpe de cadena**

Sirve de palanca para accionar el freno de cadena. También ofrece protección contra las ramas que sobresalen y ayuda a evitar que la mano izquierda toque la cadena de la motosierra si se sale del mango delantero.

### **Interruptor de gatillo**

Encienda y apague la motosierra y ajuste la velocidad de la cadena.

### **Lengüeta de bloqueo**

Ayuda a evitar la activación accidental o no autorizada del interruptor de gatillo. Debe liberarse antes de activar el interruptor de gatillo.

### **Tapa del depósito de aceite**

Sella el depósito de aceite.

### **Ventana de inspección del aceite**

Proporciona una vista del nivel de aceite en el depósito de aceite.

## Cadena de sierra

Un bucle de cadena que tiene dientes cortantes que corta la madera cuando es impulsado por el cabezal motor y sostenido por la barra guía.

## Funda de la cadena

La funda de la cadena evita que el operador entre en contacto con los afilados dientes de la cadena cuando la herramienta no está en uso. También ayuda a evitar que los dientes de la cadena se mellen o dañen al transportar o almacenar la herramienta.

## Barra guía

Soporta y guía la cadena de sierra.

## Mango delantero

El mango de apoyo para la mano izquierda está ubicado en la parte delantera de la motosierra.

## Mango trasero

El mango de apoyo para la mano derecha está ubicado en la parte trasera de la motosierra. **Sujete la motosierra con ambas manos: con la mano derecha en el mango trasero y con la mano izquierda en el mango delantero.**

## Cubierta lateral

Cubre el piñón de la cadena y fija la barra guía.

## Botón de tensado de la cadena

Permite ajustar con precisión la tensión de la cadena.

## Botón de liberación de la batería

Presione para extraer la batería de la herramienta.

## Anilla para cordón

Para levantar la motosierra cuando se utiliza en un lugar elevado y para unirse al usuario para transportar la motosierra cuando se encuentra a alturas elevadas.

## ENSAMBLAJE

**⚠ ADVERTENCIA:** Si hay piezas dañadas o faltan piezas, no utilice el producto hasta que las reemplace. Usar este producto con piezas dañadas o faltantes podría provocar lesiones personales graves.

**⚠ ADVERTENCIA:** No intente modificar este producto ni crear accesorios que no sean recomendados para utilizar con este producto. Cualquier alteración o modificación se considera un uso inapropiado y podría generar una condición peligrosa y provocar lesiones personales graves.

**⚠ ADVERTENCIA:** Para evitar un arranque accidental que podría causar lesiones personales graves, retire siempre la batería del producto cuando esté ensamblando piezas, realizando ajustes, limpiándolo o cuando el producto no esté en uso.

## DESEMPAQUE

- Este producto se ha enviado completamente ensamblado.
- Saque cuidadosamente el producto y los accesorios de la caja. Asegúrese de que todos los elementos que aparecen en la lista de empaque estén incluidos.
- Inspeccione minuciosamente la herramienta para asegurarse de que no se hayan producido roturas o daños durante su envío.
- No deseche el material de embalaje hasta que haya inspeccionado cuidadosamente y utilizado satisfactoriamente la herramienta.
- Si alguna pieza está dañada o falta, sírvase contactar a Servicio al Cliente de EGO para obtener asistencia.

## UTILIZACIÓN

**⚠ ADVERTENCIA:** No deje que la familiaridad con este producto le haga volverse descuidado. Recuerde que una fracción de segundo de descuido es suficiente para causar lesiones graves.

**⚠ ADVERTENCIA:** Use siempre protección de los ojos que esté marcada para cumplir con la norma ANSI Z87.1. Si no se hace así, el resultado podría ser que se lancen objetos hacia los ojos del operador y otras posibles lesiones graves.

**⚠ ADVERTENCIA:** No utilice aditamentos o accesorios no recomendados por el fabricante de este producto. El uso de aditamentos o accesorios no recomendados puede causar lesiones corporales graves.

Antes de cada uso, inspeccione todo el producto para determinar si hay piezas dañadas, si faltan piezas o si hay piezas flojas, tales como tornillos, tuercas, pernos, etc. Apriete firmemente todos los sujetadores y todas las tapas, y no utilice este producto hasta que todas las piezas que falten o estén dañadas hayan sido reemplazadas.

## APLICACIÓN

Puede utilizar este producto para el desrame básico, la poda y el corte de madera y árboles.

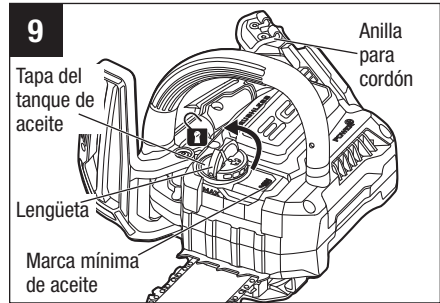
## LLENADO DEL TANQUE DE ACEITE CON LUBRICANTE PARA ESPADAS Y CADENAS

**⚠ ADVERTENCIA:** Para prevenir arranques accidentales que podrían causar lesiones corporales graves, retire siempre el paquete de batería de la herramienta antes de llenar el tanque con aceite.

**⚠ ADVERTENCIA:** No fume ni traiga fuegos o llamas cerca del aceite o la motosierra. Es posible que el aceite se derrame y cause un incendio.



**AVISO:** La motosierra no está llena de aceite en el momento de su compra. Es esencial llenar el tanque con aceite antes de utilizarla. Utilizar la motosierra sin aceite para cadenas o cuando el nivel del aceite esté por debajo de la marca mínima tendrá como resultado daños a la motosierra. La vida útil de la cadena y la capacidad de corte dependen de que la lubricación sea óptima. La cadena se lubrica automáticamente con aceite para cadenas durante la utilización de la motosierra, si hay suficiente aceite en el tanque de aceite.



1. Retire el paquete de batería de la motosierra.
2. Limpie la tapa del tanque de aceite y el área alrededor de la misma para asegurarse de que no caiga suciedad en el tanque de aceite.
3. Coloque la motosierra sobre una superficie firme y plana, de modo que la tapa del depósito de aceite quede hacia arriba. Gire la pestaña en el sentido contrario a las agujas del reloj para quitar la tapa (Fig. 9).
4. Con cuidado, vierta el aceite para barra y cadena en el depósito. Tenga cuidado de que el aceite no se derrame por la abertura. Llene hasta el fondo del cuello de llenado. Limpie el exceso de aceite.
5. Reinstale la tapa, enderece la sierra y vea el nivel a través de la ventana de inspección del aceite. El aceite deberá llenar la ventana.

**AVISO:**

- Utilice aceite para espadas y cadenas EGO AOL3200 o AOL1000 para obtener los mejores resultados. Dicho aceite está diseñado especialmente para producir baja fricción y cortes más rápidos.
- No utilice nunca aceite u otros lubricantes que no estén diseñados específicamente para utilizarse en la espada y la cadena. Esto puede hacer que el sistema de aceite se obstruya, lo cual es posible que cause desgaste prematuro de la espada y la cadena.
- Compruebe frecuentemente el nivel de aceite y llene el tanque cuando dicho nivel descienda por debajo de la línea mínima. No utilice nunca la motosierra si el aceite no es visible.

- No utilice aceite sucio, usado o que esté contaminado de alguna otra manera. Es posible que ocurran daños en la espada o la cadena.
- Es normal que escape aceite de la sierra cuando la misma no se esté utilizando. Para prevenir los escapes, vacíe el tanque de aceite después de cada uso y luego tenga en funcionamiento la sierra durante un minuto. Cuando almacene la herramienta por un período de tiempo prolongado, asegúrese de que la cadena esté ligeramente lubricada. Esto evitará que se forme óxido en el piñón de la cadena y la espada.
- Para preservar los recursos naturales, sírvase reciclar o desechar adecuadamente el aceite. Consulte a su autoridad local de eliminación de residuos para obtener información sobre las opciones de reciclaje y eliminación disponibles.

## UTILIZACIÓN DE LA ANILLA PARA CORDÓN (Fig. 9)

**⚠ ADVERTENCIA:** Cubra siempre la cadena de sierra y la barra guía con una funda de cadena cuando cuelgue la motosierra de la anilla para cordón del cinturón de herramientas. La cadena de la sierra está afilada y puede causar lesiones graves.

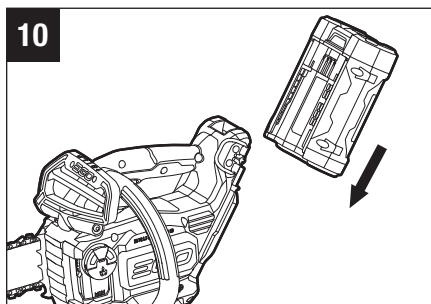
**⚠ ADVERTENCIA:** Asegúrese de que la anilla para cordón es lo suficientemente fuerte como para soportar el peso combinado de la motosierra y la batería. La caída de la motosierra puede provocar lesiones graves y daños materiales.

## INSTALACIÓN/EXTRACCIÓN DE LA BATERÍA

**NOTA:** Cargue completamente su batería antes del primer uso.

### Para instalar la batería (Fig. 10)

1. Alinee los nervios de la batería con las ranuras de montaje del puerto de la batería de la motosierra.
2. Deslice el paquete de baterías dentro de la máquina hasta que encaje en su posición.

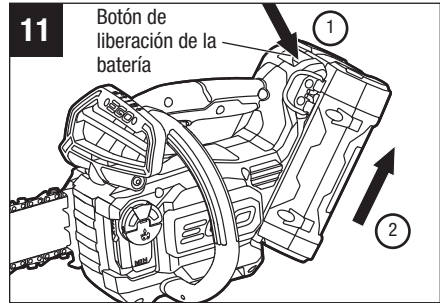


**⚠ ADVERTENCIA:** Asegúrese de que el pestillo de la motosierra encaje en su lugar y que la batería esté asegurada a la sierra antes de comenzar la operación. Si no asienta firmemente la batería, ésta podría caerse y provocar lesiones personales graves.

**⚠ ADVERTENCIA:** Para mantener un equilibrio cómodo durante el corte, utilice únicamente la batería BA1400/BA1400-FC/BA1400T/BA1400T-FC. Los paquetes de baterías más grandes inclinarán la parte trasera de la motosierra hacia abajo.

### Para extraer la batería (Fig. 11)

**⚠ ADVERTENCIA:** Esté siempre atento a la ubicación de sus pies y de los niños o mascotas a su alrededor cuando presione el botón de liberación de la batería. La caída de la batería puede provocar lesiones graves. NUNCA retire la batería en un lugar alto.



1. Sujete la batería con la palma de la mano.
2. Pulse el botón de liberación de la batería con el pulgar; la batería se desenganchará del cierre.
3. Agarre la batería y extráigala de la motosierra.

**⚠ ADVERTENCIA:** Para evitar lesiones personales graves, retire siempre la batería y mantenga las manos alejadas de la lengüeta de bloqueo y del gatillo cuando desplace o transporte la máquina.

## PUESTA EN MARCHA/PARADA DE LA MOTOSIERRA

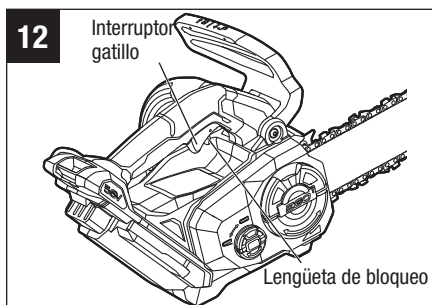
### Antes de poner en marcha la motosierra:

1. Retire la batería.
2. Asegúrese de que la cadena está correctamente montada y tensada de acuerdo con el capítulo "AJUSTE DE LA TENSIÓN DE LA CADENA" más adelante en este manual.
3. Compruebe la tensión del botón de la cubierta lateral antes de usarla. Si está flojo, apriete bien el botón de la cubierta lateral.
4. Compruebe el nivel de aceite y llene el depósito según sea necesario. Asegúrese de que la cadena está bien lubricada.

5. Compruebe el afilado de los dientes de corte de la cadena de sierra.
6. Asegúrese de que la paleta del freno de contragolpe de la cadena pueda moverse hacia adelante y hacia atrás fácilmente entre la posición de freno y la posición de operador.
7. Sujete la motosierra con ambas manos: con la mano derecha en el mango trasero y con la mano izquierda en el mango delantero.
8. Asegúrese de tener una base segura y equilibrada. Tenga cuidado con obstáculos como tocones de árboles, raíces y zanjas, que podrían hacerle tropezar.
9. Párese erguido y sostenga la motosierra en una posición relajada y asegúrese de que la cadena de la sierra no toque el suelo ni ningún otro objeto.
10. Asegúrese de que el objeto cortante no supere la longitud de corte útil de la motosierra. La punta de la barra guía deberá mantenerse siempre al menos 1-31/32" (5 cm) fuera del contorno del tronco de madera.

## Cómo poner en marcha la motosierra (Fig. 12)

1. Instale la batería.
2. Asegúrese de que no hay objetos u obstáculos que puedan entrar en contacto con la barra y la cadena en las inmediaciones.
3. Jale de la palanca de freno de contragolpe de la cadena hacia el mango delantero hasta la posición de funcionamiento (ver Fig. 1).
4. Sujete firmemente los mangos delantero y trasero con ambas manos.
5. Mueva la lengüeta de bloqueo hacia delante y, a continuación, presione el interruptor del gatillo. Cuanto más se aprieta el gatillo, mayor es la velocidad de rotación de la cadena de sierra.



**⚠ ADVERTENCIA:** No intente poner en marcha la motosierra cuando la cadena esté en un corte o en contacto con cualquier superficie.

## Cómo detener la motosierra

1. Aleje la motosierra de la zona de corte y, a continuación, suelte el gatillo para detener la motosierra.
2. Empuje la palanca de freno de contragolpe de la cadena hacia delante hasta la posición de frenado para activar el freno de cadena (ver Fig. 1).

**⚠ ADVERTENCIA:** Retire siempre la batería de la motosierra durante las pausas de trabajo y al finalizar el mismo.

## PREPARACIÓN PARA EL CORTE

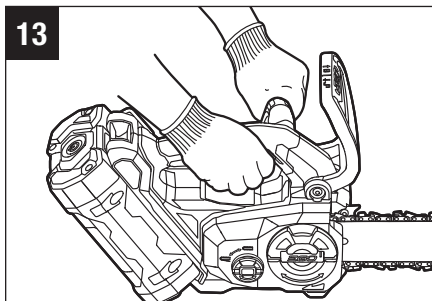
Consulte la sección **INSTRUCCIONES DE SEGURIDAD** anterior de este manual para conocer el equipo de seguridad adecuado

## Precauciones en la zona de trabajo

- Cut only wood or materials made from wood; do not cut sheet metal, plastics, Corte sólo madera o materiales hechos de madera; no corte chapas metálicas, plásticos, mampostería ni materiales de construcción que no sean de madera.
- Nunca permita que los niños operen la motosierra.
- No permita el uso de esta motosierra a ninguna persona que no haya leído este manual del usuario o no haya recibido instrucciones adecuadas para el uso seguro y apropiado de esta motosierra.
- Trabaje siempre a una distancia desde la que pueda llamar a un tercero si se necesita ayuda.
- Tenga cuidado con los obstáculos.
- Si trabaja en el árbol: Utilice una cuerda anticaídas para protegerse.
- Si trabaja en el árbol: Asegure la motosierra con una cuerda atada a la anilla para evitar que la motosierra caiga al suelo.
- No corte por encima de la altura del pecho, ya que una motosierra sostenida en alto es difícil de controlar contra las fuerzas de contragolpe.
- Trabajar cerca de cables eléctricos bajo tensión puede provocar un contacto accidental con la cadena y dañar los cables. Esto puede provocar lesiones graves o mortales.
- Corte sólo cuando la visibilidad y la luz sean adecuadas para que pueda ver con claridad.
- No trabaje en un lugar fácilmente combustible.

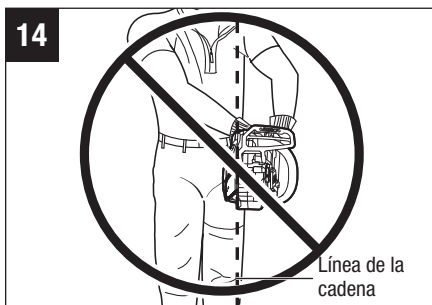
## Agarre adecuado de los mangos

- Utilice guantes antideslizantes para un agarre y una protección máximos.
- Con la sierra sobre una superficie firme y plana, sujétela firmemente con ambas manos.
- Agarre siempre el mango delantero con la mano izquierda y el trasero con la derecha.
- Los dedos deben rodear el mango, con el pulgar envuelto bajo el mango delantero (Fig. 13).



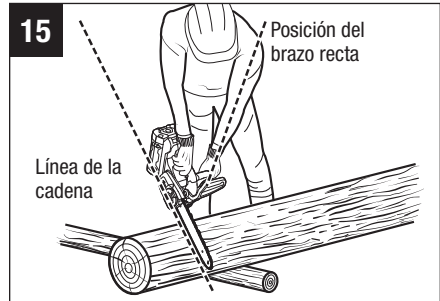
**⚠ ADVERTENCIA:** Nunca utilice un agarre con la mano izquierda (con las manos cruzadas), ni ninguna postura que coloque su cuerpo o brazo a través de la línea de la cadena.

**⚠ ADVERTENCIA:** No accione el interruptor de gatillo con la mano izquierda y sujete el mango delantero con la mano derecha. Nunca permita que ninguna parte de su cuerpo esté en la línea de la cadena mientras opera una motosierra (Fig. 14).



## Postura de corte adecuada (Fig. 15)

- Ambos pies deben estar en suelo firme, con el peso repartido uniformemente entre ellos.
- El brazo izquierdo debe estar recto, con el codo bloqueado. Esto ayuda a soportar las fuerzas generadas por el contragolpe.
- Su cuerpo debe estar siempre a la izquierda de la línea de la cadena.



## CORTE

### Corte básico

**⚠ ADVERTENCIA:** Asegúrese siempre de estar bien parado y sujete firmemente la motosierra con ambas manos mientras el motor esté en marcha.

Practique el corte de algunos troncos pequeños utilizando la siguiente técnica para "sentir" el uso de la sierra antes de comenzar una operación de aserrado mayor.

1. Sujete siempre la herramienta firmemente con ambas manos: el mango delantero con la mano izquierda y el mango trasero con la mano derecha. Agarre ambos mangos en todo momento durante la operación. No utilice nunca el producto con una sola mano.
2. Adopte la postura adecuada frente a la madera con la sierra apagada.
3. Presione la lengüeta de bloqueo y apriete el gatillo para encender la motosierra. Deje que la cadena alcance la velocidad máxima antes de iniciar el corte.
4. Comience a cortar presionando ligeramente la barra guía contra la madera. Utilice sólo una ligera presión, dejando que la sierra haga el trabajo. No fuerce la motosierra (aplique una presión ligera y continua para evitar el sobrecalentamiento de las puntas de los dientes).
5. Mantenga una velocidad constante durante todo el corte, aflojando la presión justo antes del final del corte.
6. Tenga cuidado al llegar al final del corte. El peso de la motosierra puede cambiar inesperadamente a medida que se desprende de la madera. Esto puede provocar accidentes en las piernas y los pies.

Retire siempre la motosierra de un corte de madera mientras esté funcionando. Suelte el interruptor de gatillo en cuanto haya terminado el corte para que la cadena se detenga.

**⚠ ADVERTENCIA:** Cuando la cadena de sierra se detiene debido a un pellizco durante el corte, suelte el interruptor de gatillo; retire la cadena de sierra y la barra guía de la madera y, a continuación, vuelva a poner en marcha la motosierra.

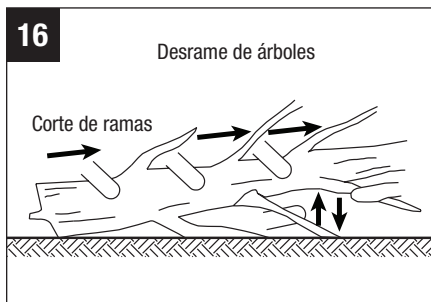
**⚠ ADVERTENCIA:** No jale de la cadena de la sierra con la mano cuando esté atorada por el serrín. Si la motosierra se pone en marcha accidentalmente, puede sufrir lesiones graves. Presione la cadena de la sierra contra la madera, sin poner en marcha la sierra, mueva la motosierra hacia adelante y hacia atrás para liberar los residuos. Retire siempre la batería antes de proceder a la limpieza. Utilice guantes protectores gruesos cuando manipule la cadena de sierra.

**⚠ ADVERTENCIA:** No ponga en marcha nunca la motosierra cuando esté en contacto con la madera. Deje siempre que la motosierra alcance su velocidad máxima antes de aplicar la sierra a la madera.

## DESFRAME

El desrame consiste en eliminar las ramas de un árbol caído. Cuando realice al desrame, deje las ramas inferiores más largas para que soporten el árbol por encima del suelo.

Retire las ramas pequeñas de un solo corte, como se ilustra en la Fig. 16. Las ramas en tensión deben cortarse de abajo hacia arriba para evitar que se atasque la motosierra.



**⚠ ADVERTENCIA:** Existe un peligro extremo de contragolpe durante la operación de desrame. Extreme las precauciones y evite tocar el tronco u otras ramas con la punta de la barra guía.



## TRONZADO DE UN TRONCO

El tronzado consiste en cortar un tronco en trozos. Es importante asegurarse de que la pisada es firme y de que el peso se distribuye uniformemente en ambos pies. Cuando sea posible, el tronco debe elevarse y apoyarse en ramas, troncos o cuñas. Siga las sencillas instrucciones para cortarlo fácilmente.

**⚠ ADVERTENCIA:** Mantenga despejada la zona de corte. Asegúrese de que ningún objeto pueda entrar en contacto con la punta de la barra guía y la cadena durante el corte; esto puede provocar un contragolpe.

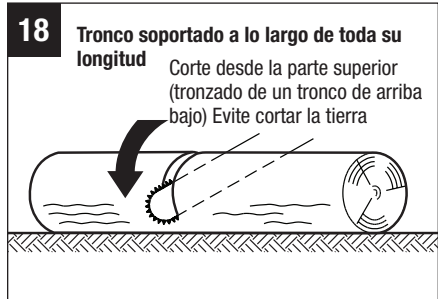
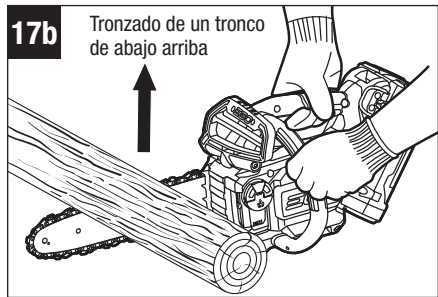
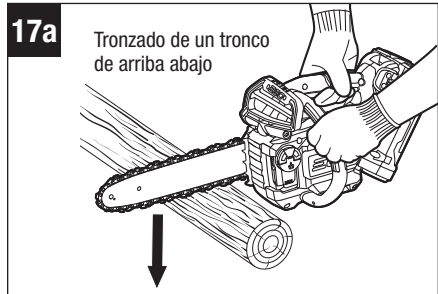
### Tronzado desde arriba (Fig. 17a)

Comience en la parte superior del tronco con la parte inferior de la sierra contra el tronco; ejerza una ligera presión hacia abajo. Tenga en cuenta que la sierra tenderá a alejarse de usted.

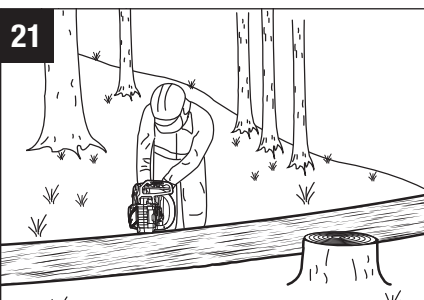
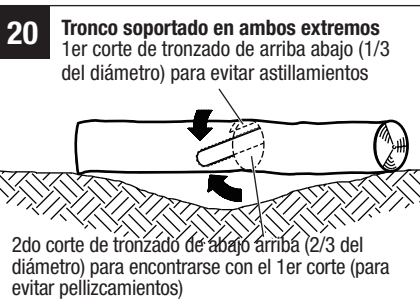
### Tronzado desde abajo (Fig. 17b)

Comience en la parte inferior del tronco con la parte superior de la sierra contra el tronco; ejerza una ligera presión hacia arriba. Durante el tronzado por debajo, la sierra tenderá a empujar hacia usted. Está preparado para esta reacción y sujete firmemente la sierra para mantener el control.

- Cuando el tronco está apoyado en toda su longitud, debe cortarse por la parte superior (tronzado desde arriba) (Fig. 18).



- Cuando el tronco está soportado en un extremo, corte 1/3 del diámetro del lado inferior (tronzado desde abajo). Luego realice el corte final tronizando desde arriba para llegar hasta el primer corte (Fig. 19).
- Cuando el tronco está soportado en ambos extremos, corte 1/3 del diámetro desde arriba. Luego realice el corte final tronizando desde abajo los 2/3 inferiores para llegar hasta el primer corte (Fig. 20).
- Cuando tronce sobre una pendiente, siempre debe pararse en el lado de la parte alta del tronco (Fig. 21).
- Para mantener un control total durante el corte, suelte la presión de corte cerca del final del corte sin aflojar el agarre de los mangos de la motosierra. No deje que la cadena haga contacto con el suelo. Una vez finalizado el corte, espere a que la cadena de sierra se detenga antes de mover la motosierra. Detenga siempre el motor antes de pasar de un árbol a otro.



## MANTENIMIENTO

**⚠ ADVERTENCIA:** Para evitar lesiones corporales graves, retire el paquete de batería de la motosierra antes de hacer servicio de ajustes y reparaciones, limpiarla, cambiar aditamentos adicionales, hacer cualquier mantenimiento o cuando el producto no se esté utilizando. Una motosierra alimentada por baterías con el paquete de batería insertado está siempre encendida y puede arrancar accidentalmente.

**⚠ ADVERTENCIA:** Cuando haga servicio de ajustes y reparaciones, utilice únicamente piezas de repuesto idénticas. Es posible que el uso de cualquier otra pieza cree un peligro o cause daños al producto.

**⚠ ADVERTENCIA:** Póngase siempre guantes gruesos cuando maneje la espada y la cadena. Tenga cuidado con la cadena de la sierra y protéjase las manos para que no resulten lesionadas por la cadena de la sierra.

**⚠ ADVERTENCIA:** Use siempre protección ocular con escudos laterales marcados para cumplir con la norma ANSI Z87.1. Si no se hace esto, el resultado podría ser que se lancen objetos hacia los ojos del operador y otras posibles lesiones graves.

## LIMPIEZA

Evite utilizar solventes cuando limpie piezas de plástico. La mayoría de los plásticos son susceptibles de sufrir daños causados por diversos tipos de solventes comerciales y es posible que resulten dañados por su uso. Use paños limpios para retirar la suciedad, el polvo, el aceite, la grasa, etc.

**⚠ ADVERTENCIA:** No deje en ningún momento que líquidos de freno, gasolina, productos a base de petróleo, aceites penetrantes, etc., entren en contacto con las piezas de plástico. Las sustancias químicas pueden dañar, debilitar o destruir el plástico, lo cual es posible que cause lesiones corporales graves.

**⚠ ADVERTENCIA:** Cuando limpie la motosierra, NO la sumerja en agua u otros líquidos.

- Después de cada uso, elimine los residuos de la cadena y la espada con un cepillo blando. Limpie la superficie de la motosierra con un paño limpio humedecido con una solución de jabón suave.
- Retire la cubierta lateral y luego utilice un cepillo blando para retirar los residuos de la espada, la cadena de la sierra, el piñón y la cubierta lateral.

- Elimine siempre las virutas de madera, el aserrín y la suciedad del surco de la espada cuando reemplace la cadena de la sierra.

Todo el servicio de ajustes y reparaciones de la motosierra, que no sea de los artículos incluidos en las instrucciones de mantenimiento, deberá ser realizado por personal competente en el servicio de motosierras.

## SUSTITUCIÓN DE LA BARRA Y LA CADENA

**⚠ ADVERTENCIA:** Antes de realizar cualquier operación de mantenimiento, asegúrese de haber extraído la batería. Si no se tiene en cuenta esta advertencia, pueden producirse lesiones personales graves.

**⚠ ADVERTENCIA:** Utilice siempre guantes para manipular la barra y la cadena; estos componentes están afilados y pueden contener rebabas.

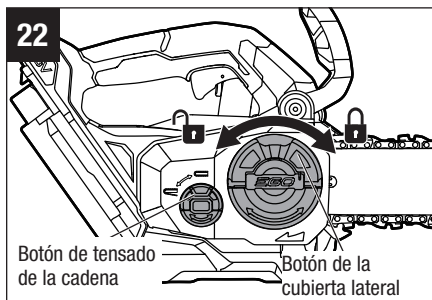
**⚠ ADVERTENCIA:** No toque ni ajuste nunca la cadena con el motor en marcha. La cadena de la motosierra está muy afilada; utilice siempre guantes de protección cuando realice tareas de mantenimiento en la cadena.

**AVISO:** Al reemplazar la barra guía y la cadena, utilice siempre la combinación de barra y cadena especificada que figura en la sección “Barra y cadena recomendadas para esta motosierra”.

### Desarmado de la barra y la cadena desgastadas (Fig. 22)

1. Retire la batería, deje que la motosierra se enfríe y apriete el tapón del depósito de aceite.
2. Coloque la motosierra de lado sobre una superficie firme y plana, de forma que la cubierta lateral quede hacia arriba.
3. Use guantes. Retire la cubierta lateral girando el botón de la cubierta lateral en sentido antihorario. Limpie la cubierta lateral con un paño seco.
4. Retire la barra y la cadena desgastadas de la superficie de montaje.

**AVISO:** Este es un buen momento para inspeccionar el piñón motriz en busca de desgaste excesivo o daños.



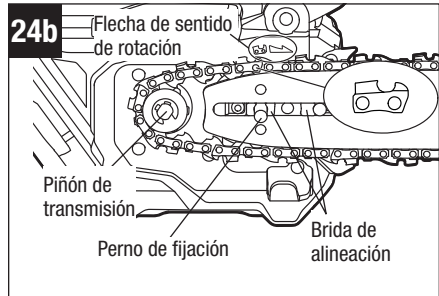
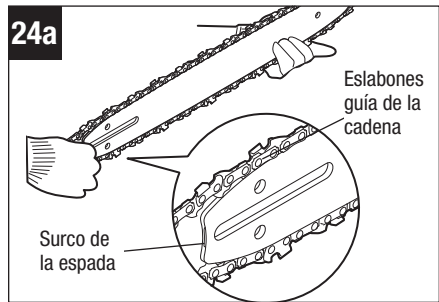
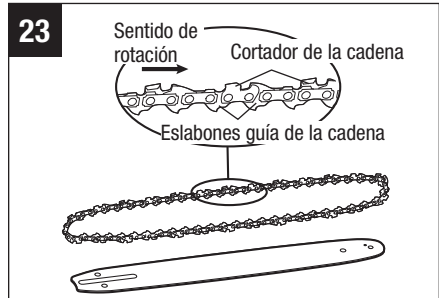
## Armado de la nueva barra y cadena

1. Retire la batería, deje que la motosierra se enfríe y apriete el tapón del depósito de aceite.
2. Coloque la nueva cadena de sierra en un bucle sobre una superficie plana y enderece cualquier torcedura (Fig. 23).
3. Coloque los eslabones motrices de la cadena en la ranura de la barra guía. Coloque la cadena de modo que quede un bucle en la parte posterior de la barra guía (Fig. 24a).
4. Sostenga la cadena en su posición sobre la barra guía y coloque el bucle alrededor del piñón impulsor de la sierra.

**AVISO:** Al enrollar la cadena de la sierra en la barra guía, asegúrese de que después de montar la barra guía en la sierra, la orientación del cortador coincida con el ícono del cortador y la flecha de dirección de rotación en la carcasa de la sierra (Fig. 24b). Si están orientadas en direcciones opuestas, vuelva a montar la cadena de sierra en la barra guía con los cortadores orientados en la misma dirección (Fig. 24c).

**NOTA:** Tense la cadena siguiendo las instrucciones del capítulo "AJUSTE DE LA TENSIÓN DE LA CADENA" del capítulo siguiente.

5. Coloque la barra guía en la superficie de montaje deslizando la ranura de la barra guía sobre las bridas de alineación. Asegúrese de que la barra guía esté correctamente colocada sobre el perno de fijación.



**AVISO:** Durante el montaje y el mantenimiento, la placa metálica situada debajo de la barra guía (Fig. 24d) puede saltar. Si esto ocurre, limpie a fondo el hueco entre esta pieza metálica y la carcasa y empuje la placa metálica hacia atrás para que quede **enrasada con la carcasa**. Si no se limpia y coloca correctamente la placa metálica, se producirá una desalineación de la barra guía.

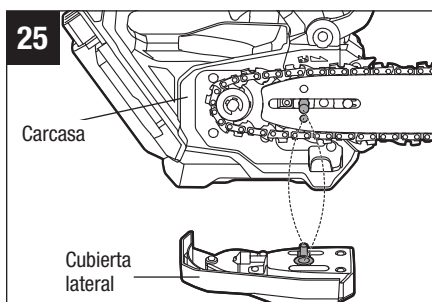
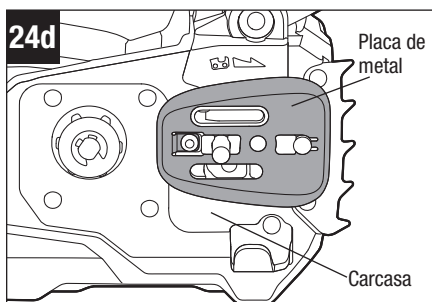
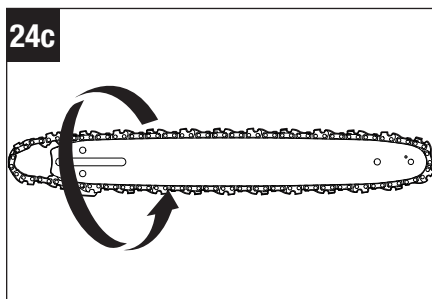
6. Fije la cubierta lateral a la carcasa de forma que los orificios/pasadores y el perno de fijación/agujero roscado queden correctamente alineados entre sí (Fig. 25). Apriete ligeramente el botón de la cubierta lateral girándolo en sentido horario. La barra debe poder moverse libremente para ajustar la tensión.

**AVISO:** Para prolongar la vida útil de la barra guía, inviértala de vez en cuando.

**⚠ ADVERTENCIA:** La cadena de la sierra debe estar correctamente tensada antes de usarla.

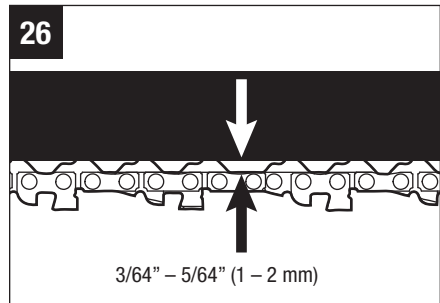
## AJUSTE DE LA TENSIÓN DE LA CADENA

1. Asegúrese de retirar la batería.
2. Levante la punta de la barra guía y manténgala ligeramente levantada mientras ajusta la tensión. Asegúrese de que la barra guía tiene cierto movimiento; si es necesario, afloje ligeramente el botón de la cubierta lateral.
3. Gire la perilla tensora de la cadena en el sentido de las agujas del reloj para apretar o en el sentido contrario a las agujas del reloj para aflojar, hasta que todas las secciones de la cadena apenas toquen el borde inferior de la guía.



**NOTA:**

- Una cadena fría está correctamente tensada cuando no hay holgura en la parte inferior de la barra guía y la cadena está ajustada, pero se puede girar con la mano sin que se atasque. La cadena debe volver a tensarse siempre que las partes planas de los eslabones motrices no se asienten en la ranura de la barra.
- Durante el funcionamiento normal de la sierra, la temperatura de la cadena aumentará. Los eslabones motrices de una cadena caliente correctamente tensada colgarán aproximadamente  $3/64'' - 5/64''$  (1 – 2 mm) fuera de la ranura de la barra (Fig. 26).



**AVISO:** Las cadenas nuevas tienden a estirarse. Verifique la tensión de la cadena con frecuencia y ajuste la tensión según sea necesario.

**AVISO:** Una cadena tensada en caliente puede estar demasiado tensa al enfriarse. Compruebe la tensión en frío antes del siguiente uso.

## MANTENIMIENTO DE LA CADENA

**⚠ ADVERTENCIA:** Use siempre guantes cuando maneje la cadena de la sierra. La cadena está afilada y es posible que contenga rebabas.

**⚠ ADVERTENCIA:** Retire la batería antes de realizar cualquier operación de mantenimiento. Si no se tiene en cuenta esta advertencia, pueden producirse lesiones personales graves.

Utilice únicamente cadenas de bajo retroceso en esta sierra. Esta cadena de corte rápido proporcionará reducción del retroceso cuando se mantenga correctamente.

Una cadena bien afilada corta a través de la madera sin esfuerzo, incluso con muy poca presión. No utilice nunca una cadena desafilada o dañada. Una cadena de sierra con cortadores desafilados aumenta el esfuerzo físico que debe hacer el usuario y la carga de vibración, produce resultados de corte insatisfactorios y aumenta el desgaste.

Para que el corte sea uniforme y rápido, la cadena debe mantenerse correctamente. La cadena debe afilarse cuando las astillas de madera son pequeñas y como polvo, la cadena debe forzarse para que atraviese la madera durante el corte o la cadena corta hacia un lado. Durante el mantenimiento de la cadena, tenga en cuenta lo siguiente:

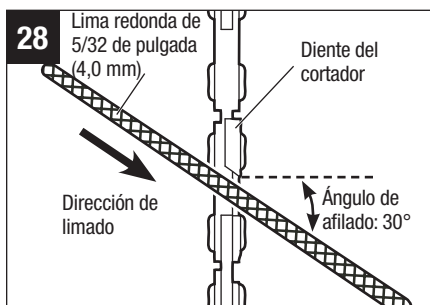
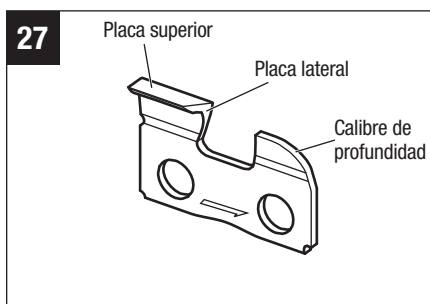
- Un ángulo de limado incorrecto de la placa lateral puede aumentar el riesgo de un retroceso severo.
- Holgura de los dientes limpiadores (calibres de profundidad). Si es demasiado baja se aumenta el potencial de retroceso. Si no es suficientemente baja se reduce la capacidad de corte.
- Si los dientes de los cortadores han golpeado objetos duros, como clavos y piedras, o han sufrido abrasión por lodo o arena presente en la madera, haga que la cadena sea afilada por un técnico de servicio calificado.

**AVISO:** Inspeccione el piñón de transmisión para determinar si está desgastado o dañado cuando reemplace la cadena. Si hay presentes señales de desgaste o daños en las áreas indicadas, haga que el piñón de transmisión sea reemplazado por un técnico de servicio calificado.

## Cómo afilar los cortadores

Asegúrese de limar todos los cortadores (Fig. 27) conforme a los ángulos especificados y con la misma longitud, ya que solo se puede obtener un corte rápido cuando todos los cortadores son uniformes.

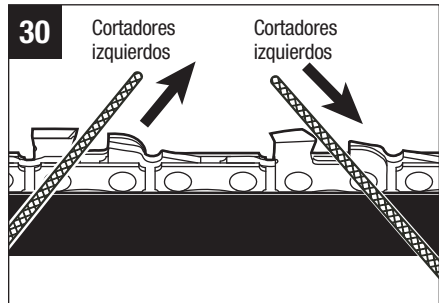
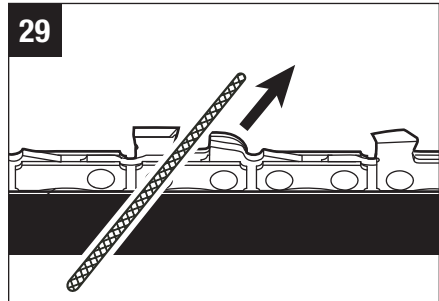
1. Retire el paquete de batería. Use guantes para protegerse.
2. Tense adecuadamente la cadena antes de afilarla. Consulte el capítulo “**AJUSTE DE LA TENSIÓN DE LA CADENA**” que aparece anteriormente en este manual.
3. Utilice una lima redonda de 5/32 de pulgada (4,0 mm) de diámetro y un portalimas (disponibles por separado). Realice todo el limado en la posición central de la espada.



4. Mantenga la lima nivelada con la placa superior del diente. No deje que la lima se hunda o se sacuda.



5. Mantenga un ángulo de afilado correcto de 30° entre la lima y la cadena de la sierra; vea las Fig. 28 y 29. Use siempre un portalimas (disponible por separado) cuando afile cadenas de sierra a mano. Los portalimas tienen marcas para el ángulo de afilado.
6. Haciendo una presión leve pero firme, haga movimientos hacia la esquina frontal del diente. Aleje la lima levantándola del acero en cada movimiento de regreso.
7. Haga unas cuantas pasadas firmes en cada diente. Lime todos los cortadores de la izquierda en un sentido. Luego, vaya al otro lado y lime los cortadores de la derecha en sentido contrario. Retire ocasionalmente las limaduras de la lima con un cepillo de alambre (Fig. 30).



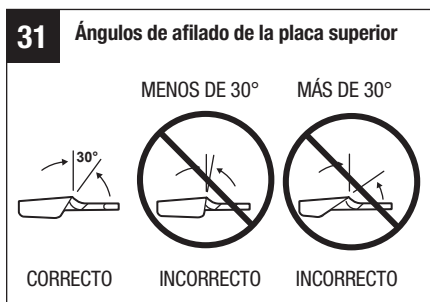
**⚠ ADVERTENCIA:** Una cadena desafilada o afilada incorrectamente puede causar una velocidad excesiva del motor durante el corte, lo cual puede provocar daños severos al motor.

**⚠ ADVERTENCIA:** Si el afilado de la cadena no es correcto, aumenta el potencial de retroceso.

**⚠ ADVERTENCIA:** Si no se reemplaza o repara una cadena dañada, se pueden causar lesiones graves.

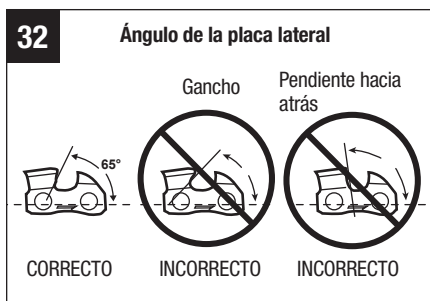
## Ángulos de afilado de la placa superior (Fig. 31)

- CORRECTO 30°:** Este ángulo óptimo se puede obtener solo cuando se utilicen las limas especificadas y la configuración adecuada. Los portalimas están marcados con marcas de guía para alinear la lima correctamente con el fin de producir el ángulo correcto de la placa superior.
- MENOS DE 30°:** El diente está demasiado desafilado para cortar.
- MÁS DE 30°:** El borde del diente de corte está biselado y se desafilá rápidamente.



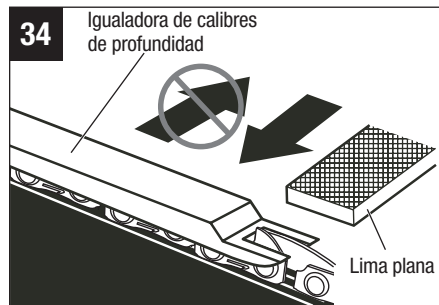
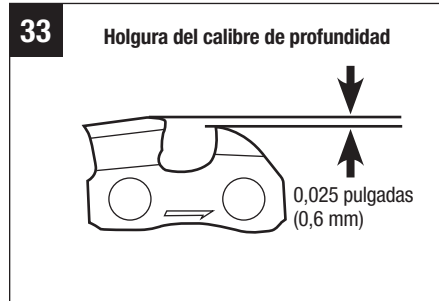
## Ángulo de la placa lateral (Fig. 32)

- CORRECTO 55°:** El ángulo óptimo se puede producir automáticamente si se utiliza una lima de diámetro correcto en el portalimas.
- GANCHO:** Se “agarra” y desafilá rápidamente. Aumenta el potencial de RETROCESO. Se produce como resultado de utilizar una lima con un diámetro que es demasiado pequeño o una lima que se sostiene demasiado baja.
- PENDIENTE HACIA ATRÁS:** Necesita demasiada presión de avance, causa un desgaste excesivo en la espada y la cadena. Ocurre como resultado de utilizar una lima con un diámetro demasiado grande o una lima que se sostiene demasiado alta.



## Holgura del calibre de profundidad

1. El calibre de profundidad debe mantenerse a una holgura de 0,025 pulgadas (0,64 mm), según muestra la Fig. 33. Utilice una herramienta de calibre de profundidad (disponible por separado) para comprobar las holguras del calibre de profundidad.
2. Compruebe la holgura del calibre de profundidad cada vez que se lima la cadena. Utilice una lima plana y una juntera de calibre de profundidad (ambos disponibles por separado) para rebajar todos los calibres de manera uniforme (Fig. 34). Use una juntera de calibre de profundidad de 0,025 pulg. (0,52 mm).
3. Los calibres de profundidad deben ajustarse con la lima plana en la misma dirección en que se limó el cortador contiguo con la lima redonda. Tenga cuidado de no tocar la cara del cortador con la lima plana al ajustar los calibres de profundidad.



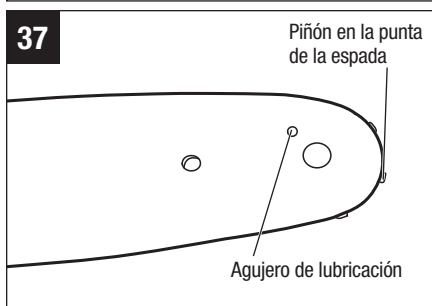
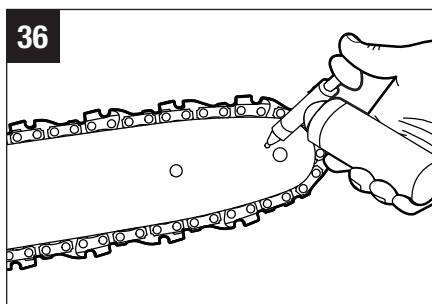
## MANTENIMIENTO DE LA ESPADA

Cuando la espada muestre señales de desgaste, inviértala en la sierra para distribuir el desgaste con el fin de lograr la máxima vida útil de la espada.

La espada se deberá limpiar cada día después de utilizarla y se deberá comprobar si tiene desgaste y daños (Fig. 35). La formación de salientes o rebabas en los rieles de la espada es un proceso normal de desgaste de la misma. Dichas fallas se deberán alisar con una lima en cuanto ocurran. Una espada con cualquiera de las siguientes fallas deberá ser reemplazada.

- Desgaste dentro de los rieles de la espada que permite que la cadena se apoye de costado.
- Espada doblada.
- Rieles agrietados o rotos.
- Rieles separados.

La espada tiene un piñón en la punta. El piñón debe lubricarse semanalmente con una jeringa de grasa para prolongar la vida útil de la espada (Fig. 36 y 37). Gire el piñón de la punta mientras se bombea grasa en el orificio de lubricación hasta que haya grasa nueva en todo el piñón. No empuje suciedad hacia el orificio.



## TRANSPORTE Y ALMACENAMIENTO

- No guarde ni transporte la motosierra cuando esté en marcha. Retire siempre la batería antes de guardarla o transportarla.
- Coloque siempre la funda de la cadena en la barra guía y en la cadena antes de guardar o transportar la motosierra. Tenga cuidado para evitar los dientes afilados de la cadena.
- Transporte siempre el producto por el asa delantera.
- Proteja el producto de golpes fuertes o vibraciones intensas que puedan producirse durante el transporte en vehículos.
- Asegure el producto para evitar que resbale o se caiga.
- Limpie a fondo la motosierra y vacíe el depósito de aceite antes de guardarla. Guarde la motosierra en interiores, en un lugar seco, cerrado con llave y/o inaccesible para los niños.
- Manténgalo alejado de agentes corrosivos como productos químicos de jardinería y sales de deshielo.

# SOLUCIÓN DE PROBLEMAS

PROBLEMA	CAUSA	SOLUCIÓN
<p>El motor no funciona.</p>	<ul style="list-style-type: none"> <li>■ La batería no está conectada a la motosierra.</li> <li>■ No hay contacto eléctrico entre la sierra y la batería.</li> <li>■ La carga de la batería está agotada.</li> <li>■ La batería o la motosierra están demasiado calientes.</li>   <li>■ La lengüeta de bloqueo no está presionada antes de pulsar el gatillo.</li> <li>■ El freno de cadena está accionado.</li>   <li>■ La cadena de la sierra está atascada en la madera.</li>   <li>■ Residuos en la ranura de la barra.</li>   <li>■ Residuos en el interior de la cubierta lateral.</li> <li>■ Se utiliza una batería de 6,0 Ah o más.</li> </ul>	<ul style="list-style-type: none"> <li>■ Conecte la batería a la motosierra.</li> <li>■ Retire la batería, compruebe los contactos y vuelva a instalarla.</li> <li>■ Cargue la batería.</li>   <li>■ Deje que la batería o el cabezal de alimentación se enfríen hasta que la temperatura descienda hasta el intervalo de temperatura de funcionamiento recomendado.</li> <li>■ Presione la lengüeta de bloqueo y apriete el interruptor de gatillo para poner en marcha la motosierra.</li> <li>■ Jale de la paleta del freno de contragolpe de cadena hacia el mango delantero (a la posición de operador).</li> <li>■ Suelte el gatillo, retire la cadena de la sierra y la barra guía de la madera y luego reinicie la motosierra.</li> <li>■ Presione la cadena de la sierra contra la madera, sin poner en marcha la sierra, mueva la motosierra hacia adelante y hacia atrás para liberar los residuos.</li> <li>■ Retire la batería, luego retire la cubierta lateral y limpie los residuos.</li> <li>■ Utilizar sólo con las baterías EGO enumeradas anteriormente en este manual.</li> </ul>

PROBLEMA	CAUSA	SOLUCIÓN
La motosierra se detiene inesperadamente durante el funcionamiento.	<ul style="list-style-type: none"> <li>■ La motosierra está sobrecargada.</li> <li>■ La batería o la motosierra están demasiado calientes.</li> <li>■ La cadena de la sierra está atascada en la madera.</li> </ul>	<ul style="list-style-type: none"> <li>■ Disminuya la carga.</li> <li>■ Deje que la batería o la motosierra se enfríe hasta que la temperatura baje al rango de temperatura de funcionamiento recomendado.</li> <li>■ Suelte el gatillo, retire la cadena de la sierra y la barra guía de la madera y luego reinicie la motosierra.</li> </ul>
El motor funciona, pero la cadena no gira.	<ul style="list-style-type: none"> <li>■ La cadena no engrana en el piñón de accionamiento.</li> </ul>	<ul style="list-style-type: none"> <li>■ Retire el paquete de baterías y vuelva a instalar la cadena, asegurándose de que los eslabones impulsores de la cadena estén completamente asentados en el piñón.</li> </ul>
El freno de cadena no se acciona.	<ul style="list-style-type: none"> <li>■ Escombros que impiden el movimiento completo de la paleta del freno de contragolpe de cadena.</li> <li>■ Posible mal funcionamiento del freno de cadena.</li> </ul>	<ul style="list-style-type: none"> <li>■ Limpie los residuos del mecanismo externo del freno de cadena.</li> <li>■ ¡Deje de usar la motosierra inmediatamente! Póngase en contacto con el servicio de atención al cliente de EGO para que la reparen.</li> </ul>

PROBLEMA	CAUSA	SOLUCIÓN
<p>La motosierra no corta correctamente.</p>	<ul style="list-style-type: none"> <li>■ Tensión de cadena insuficiente.</li> <li>■ Cadena desafilada.</li> <li>■ Cadena instalada al revés.</li> <li>■ Cadena desgastada.</li> <li>■ Cadena seca o excesivamente estirada.</li> <li>■ La cadena no está en la ranura de la barra.</li> </ul>	<ul style="list-style-type: none"> <li>■ Tense la cadena siguiendo el capítulo "<b>AJUSTE DE LA TENSIÓN DE LA CADENA</b>" hasta que la cadena esté correctamente tensada.</li> <li>■ Afile los cortadores de la cadena siguiendo el apartado: <b>CÓMO AFILAR LOS CORTADORES</b>.</li> <li>■ Retire la batería y vuelva a instalar la cadena de la motosierra, siguiendo la sección "<b>SUSTITUCIÓN DE LA BARRA Y LA CADENA</b>".</li> <li>■ Retire la batería y sustituya la cadena siguiendo el apartado "<b>SUSTITUCIÓN DE LA BARRA Y LA CADENA</b>".</li> <li>■ Compruebe el nivel de aceite. Rellene el depósito de aceite si es necesario.</li> <li>■ Retire la batería y vuelva a instalar la cadena de la motosierra, siguiendo la sección "<b>SUSTITUCIÓN DE LA BARRA Y LA CADENA</b>".</li> </ul>
<p>La cadena se suelta o se sale de la barra guía durante el uso normal.</p>	<ul style="list-style-type: none"> <li>■ La cadena se aflojará a medida que aumente su temperatura durante el funcionamiento normal de la sierra.</li> <li>■ La cadena no engrana en el piñón de accionamiento.</li> </ul>	<ul style="list-style-type: none"> <li>■ Tense la cadena siguiendo el capítulo "<b>AJUSTE DE LA TENSIÓN DE LA CADENA</b>" hasta que la cadena esté correctamente tensada.</li> <li>■ Retire la batería y vuelva a montar la cadena, siguiendo el apartado "<b>SUSTITUCIÓN DE LA BARRA Y LA CADENA</b>". Verifique que los eslabones motrices de la cadena están completamente asentados en el piñón.</li> </ul>

PROBLEMA	CAUSA	SOLUCIÓN
Barra y cadena funcionando en caliente y echando humo.	<ul style="list-style-type: none"><li>■ Compruebe la tensión de la cadena por si está demasiado apretada.</li><li>■ El depósito de aceite de la cadena está vacío.</li><li>■ Residuos en la ranura de la barra guía.</li></ul>	<ul style="list-style-type: none"><li>■ Vuelva a tensar la cadena de la motosierra siguiendo el capítulo "<b>AJUSTE DE LA TENSIÓN DE LA CADENA</b>" hasta que la cadena esté correctamente tensada.</li><li>■ Llene el depósito con lubricante para barras y cadenas.</li><li>■ Limpie los residuos de la ranura.</li></ul>



# GARANTÍA LIMITADA DE EGO

## TÉRMINOS Y DURACIÓN DE LA PÓLIZA DE GARANTÍA

Chervon North America, Inc. ("Chervon North America"), proporciona la siguiente Garantía Limitada para los productos EGO al comprador original de productos EGO.

El período de garantía detallado de cada producto EGO se puede encontrar en línea en <http://egopowerplus.com/warranty-policy>.

**Sírvase contactar a Servicio al Cliente de EGO llamando gratis al 1-855-EGO-5656** en cualquier momento en que tenga preguntas o reclamos de garantía.

## GARANTÍA LIMITADA DE SERVICIO

Los productos EGO están garantizados contra defectos de material o de fabricación a partir de la fecha de compra minorista original durante el período de garantía aplicable. Para cualquier reclamo de garantía presentado de manera adecuada y oportuna, si Chervon North America determina que un producto presenta algún defecto durante el período de garantía, dicho producto recibirá una reparación o un remplazo gratuitos, según lo determine Chervon North America.

## CÓMO OBTENER SERVICIO

Para obtener servicio de garantía, dentro del período de garantía aplicable, sírvase contactar a servicio al cliente de EGO llamando gratis al **1-855-EGO-5656**. Cuando solicite servicio de garantía, deberá presentar el recibo de venta fechado original. Se seleccionará un centro de servicio autorizado para evaluar y reparar el producto si el mismo presenta algún defecto de acuerdo con los términos establecidos en la garantía. Cuando lleve su producto al centro de servicio autorizado, es posible que se requiera un pequeño depósito cuando deje allí su herramienta. Este depósito es reembolsable cuando se considere que el servicio de reparaciones esté cubierto bajo garantía. El comprador es responsable del transporte de cualquier equipo o aditamento de energía para exteriores a sus expensas.

## LIMITACIONES Y EXCLUSIONES ADICIONALES

Esta garantía limitada se aplica solo al comprador original que realice la compra a un minorista EGO autorizado y no es transferible. Los productos EGO no serán considerados defectuosos, y esta garantía no se aplicará, en los casos en que el defecto por el que se presente el reclamo sea atribuible a cualquier causa que no sean los defectos definidos anteriormente en este documento. Esta garantía quedará anulada si el producto se ha utilizado para fines de alquiler. Esta garantía no se aplicará a daños causados por accidente, abuso, uso incorrecto, alteración, modificación, reparación no autorizada,

contacto con líquidos, incendio, terremoto u otra causa externa; utilización del producto sin seguir las instrucciones, especificaciones o pautas de EGO; o no hacer servicio de ajustes y reparaciones o no mantener adecuadamente el producto. Esta garantía tampoco se aplica a los daños cosméticos, incluyendo, pero sin limitarse a ello, rasguñaduras o abolladuras; defectos causados por el desgaste por el uso normal o defectos que de alguna otra manera se deban al envejecimiento normal del producto.

ESTA GARANTÍA EXPRESA SE DA EN LUGAR DE TODAS LAS DEMÁS GARANTÍAS, EXPRESAS O IMPLÍCITAS, INCLUYENDO, PERO SIN LIMITARSE A ELLO, TODAS LAS GARANTÍAS DE COMERCIABILIDAD O IDONEIDAD PARA UN PROPÓSITO O USO ESPECÍFICO, LAS CUALES QUEDAN EXCLUIDAS. Todas las garantías implícitas, incluyendo las garantías de comerciabilidad o idoneidad para un propósito específico, que no se puedan excluir bajo la ley estatal, están limitadas al período de garantía aplicable definido al comienzo de este artículo. El remedio único y exclusivo en conexión con la compra, instalación, uso y/o rendimiento de los productos EGO es la reparación o el reemplazo del producto tal y como lo determine Chervon North America. La responsabilidad máxima de North America no excederá en ningún caso el precio de compra pagado por el producto. CHERVON NORTH AMERICA NO SERÁ RESPONSABLE ANTE EL USUARIO NI ANTE NADIE MÁS POR DAÑOS EMERGENTES, INCIDENTALES, ESPECIALES, EJEMPLARES, INDIRECTOS O PUNITIVOS QUE SURJAN DEL USO DE LOS PRODUCTOS, INCLUYENDO, PERO SIN LIMITARSE A ELLO, LESIONES CORPORALES, MUERTE, DAÑOS MATERIALES, GANANCIAS PERDIDAS U OTROS PERJUICIOS ECONÓMICOS. Esta garantía le confiere a usted derechos legales específicos y es posible que usted tenga también otros derechos que varían de un estado a otro. Algunos estados no permiten limitaciones en cuanto a la duración de una garantía implícita, la exclusión o limitación de los daños incidentales o emergentes, o las limitaciones al tiempo para emprender ciertas acciones legales, por lo que las limitaciones contenidas en el presente documento no se aplican a los consumidores individuales de esos estados.

Esta garantía está sujeta a la ley de Michigan y se interpretará de acuerdo con dicha ley, con independencia de los principios sobre conflictos de leyes. No se emprenderá ninguna acción legal contra Chervon North America a menos que se presente dentro del plazo de un (1) año después de que se tenga conocimiento de la base de dicha acción legal o de la cual se debiera haber tenido conocimiento con el ejercicio de una diligencia razonable. Se considerará que se ha renunciado a cualquier acción legal que no se presente oportunamente.

Para obtener servicio al cliente, contáctenos llamando gratis al **1-855-EGO-5656** o en **EGOPOWERPLUS.COM**.

EGO Customer Service,  
769 Seward Ave. NW, Suite 102,  
Grand Rapids, Michigan 49504.



