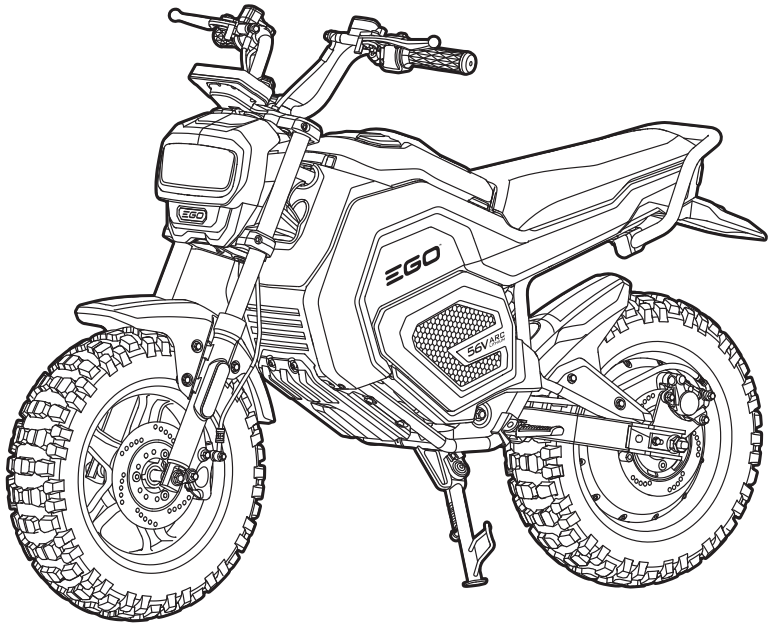


EGO™

POWER+ MINI BIKE™



RIDER AGE: 16+

FOR OFF-ROAD USE ONLY

**INFLATE TIRES BEFORE
FIRST USE**

Français p. 49

Español p. 101

OPERATOR'S MANUAL

56V MINI BIKE

MODEL NUMBER MB1000/ MB1000-FC

⚠ WARNING: To reduce the risk of injury, the user must read and understand the Operator's Manual before using this product. Save these instructions for future reference.



This manual should be considered a permanent part of the Mini Bike and should remain with it when resold.

This publication includes the latest production information available prior to printing. EGO reserves the right to make changes at any time without notice and without incurring obligations.

The Mini Bike pictured in this owner manual may not match your actual Mini Bike. Please contact EGO Customer Service Toll-Free at 877-346-9876 (877-EGO-ZTRM) any time you have questions.

READ ALL INSTRUCTIONS!



READ & UNDERSTAND
OPERATOR'S MANUAL

TABLE OF CONTENTS

Safety Symbols	3-4
Symbols	5-6
Mini Bike Safety Instructions	7-13
Introduction	14
Specifications	14-15
Description	16-23
Assembly	24-26
Operation	27-38
Maintenance	39-43
Troubleshooting	44-45
Fault Code Reference	46
EGO Limited Warranty	47-48

SAFETY SYMBOLS

The purpose of safety symbols is to attract your attention to possible dangers. The safety symbols and the explanations with them deserve your careful attention and understanding. The symbol warnings do not, by themselves, eliminate any danger. The instructions and warnings they give are no substitutes for proper accident prevention measures.

This manual contains many warnings and cautions concerning the consequences of failing to maintain, inspect or properly use your mini bike. Because any incident can result in serious injury or even death, we do not repeat the warning of possible serious injury or death each time such a possibility is mentioned.

When you use this product, you must follow the instructions in the operator's manual and comply with Federal laws and local traffic regulations. The user shall be responsible for the adverse consequences arising from the following circumstances:

- Violation of laws and regulations.
- Improper use.
- Disassembly and change of the original configuration without authorization.
- Illegal operation.

⚠ WARNING: Be sure to read and understand all safety instructions in this Operator's Manual, and all warnings on mini bike, including all safety alert symbols such as "**DANGER**", "**WARNING**", and "**CAUTION**" before using this mini bike. Failure to follow all instructions listed below may result in death, and/or serious personal injury and fire.

The definitions below describe the level of severity for each signal word. Please read the manual and pay attention to these symbols.	
	This is the safety alert symbol. It is used to alert you to potential personal injury hazards. Obey all safety messages that follow this symbol to avoid possible injury or death.
	WARNING indicates a hazardous situation which, if not avoided, could result in death or serious injury.
	CAUTION, used with the safety alert symbol, indicates a hazardous situation which, if not avoided, will result in minor or moderate injury.
	DANGER indicates a hazardous situation which, if not avoided, will result in death or serious injury.

DAMAGE PREVENTION AND INFORMATION MESSAGES

These inform the user of important information and/or instructions that could lead to equipment or other property damage if they are not followed. Each message is preceded by the word “NOTICE”, as in the example below:

NOTICE: Equipment and/or property damage may result if these instructions are not followed.

SYMBOLS

This page depicts and describes safety symbols that may appear on this product. Read, understand, and follow all instructions on the mini bike before attempting to assemble and operate.

	Safety Alert	Indicates a potential personal injury hazard.
	Read & Understand Operator's Manual	To reduce the risk of injury, user must read and understand the operator's manual before using this product.
	Recycle Symbols	This product uses lithium-ion (Li-ion) batteries. Local, state, or federal laws may prohibit disposal of batteries in ordinary trash. Consult your local waste authority for information regarding available recycling and/or disposal options.
IP...	Ingress Protection Degree	Classifies the degree of protection provided by an enclosure, for electrical equipment.
	Direct Current (DC)	Type or a characteristic of current
V	Volt	Voltage
mm	Millimeter	Length or size
cm	Centimeter	Length or size
MPH	Miles Per Hour	Speed
km/h	Kilometers Per Hour	Speed
ft	Foot	Length or size
in.	Inch	Length or size
kg	Kilogram	Weight
lb	Pound	Weight

ml	Milliliter	Volume
fl.oz	Fluid Ounce	Volume
°C	Degrees Celsius	Temperature
°F	Degrees Fahrenheit	Temperature

MINI BIKE SAFETY INSTRUCTIONS

⚠ WARNING! Read, fully understand, and follow all safety warnings, instructions, illustrations, and specifications provided with this mini bike before operation. Failure to follow all instructions listed below may result in serious injury, electric shock, and/or fire.

Save all warnings and instructions for future reference and resale.

Always check and obey any local laws or regulations which may affect the locations where the EGO mini bike may be used.

GENERAL WARNINGS

⚠ WARNING!

- Riding a mini bike does present potential risks that require extra caution. There are inherent hazards with the use of a mini bike (e.g., falling off or collision situation) that no amount of care, instruction, or expertise can eliminate. If such hazards occur serious injury or death, even when using safety equipment or other precautions, could occur. **RIDE AT YOUR OWN RISK AND USE COMMON SENSE.**
- This mini bike is designed and manufactured for off-road use only. The tires supplied with this mini bike are for off-road use only. Use on paved surfaces may cause the mini bike to be unstable. Additionally, this mini bike does not supply safety features like turn indicators or side view mirrors. Never use it on roadways or sidewalks. When crossing a roadway dismount from your mini bike and walk it across the road at a crosswalk.
- It may be illegal to operate this mini bike on any public street, road, or highway in your area. Check your local (state, municipal, etc.) regulations.
- This mini bike is designed as a single person vehicle. Never carry a passenger or allow more than one person at a time to ride the mini bike.
- **DO NOT EXCEED THE WEIGHT LIMIT OF 220 lbs. (100 kg).** Rider weight does not necessarily mean a person's size is appropriate to fit or maintain control of the mini bike. Note, loading capacity includes rider's personal belongings.

- Take time to learn and practice. Even if experienced with other two-wheel vehicles, practice riding this mini bike in a safe area to become familiar with how this mini bike works and handles and become accustomed to the mini bike's size and weight. It is recommended that all riders take a certified course, either approved by the Motorcycle Safety Foundation or a local state training course.
- This mini bike is not suitable for people under 16 years old. Though your child may be of age they may not have the physical or mental ability to ride a mini bike. It is up to the parent to assess their child's capability before allowing them to ride.
 - Rider's feet should be able to completely contact the ground when seated on the mini bike.
 - The rider must be able to reach and actuate all control features.
 - It is the parent's responsibility to assess their child's abilities, skills, and maturity to be able to ride a mini bike.
 - Parents are responsible to ensure their child knows and understands all the warnings, instructions, and safety topics. Parents should reinforce this knowledge each time the mini bike is used by a child.
 - Parents take on the responsibility to inspect and maintain the mini bike prior to a child's use.
- This mini bike was manufactured for performance and durability needed for off road leisure riding. Jumping or other aggressive riding can over-stress and damage this mini bike. The rider assumes all risks associated with damages and injuries due to operating the mini bike in an aggressive manner.

OPERATION WARNINGS

BEFORE YOU RIDE

- Inspect your mini bike prior to each use for damage and wear (see “**Pre-Ride Inspection**” chapter). Service mini bike as needed before use.
 - Check if the brakes are functioning properly.
 - Check the throttle to ensure it works properly and returns to “OFF” position immediately when released.
 - Check wear and inflation of tires.

- Inspect mini bike's suspension, frame, support elements (seat and foot rests), and rims for damage. Confirm that all fasteners: nuts, bolts, and screws, are tightened appropriately.
- Always wear protective apparel:
 - Helmet should be safety certified, have high visibility, and the correct size for the rider. Look for helmets with a DOT (Department of Transportation) certification label.
 - Gloves should be full finger with high abrasion resistance.
 - Boots or riding shoes that have non-slip sole and provide ankle protection should be worn.
 - Jacket and pants should be protective, highly visible, and durable. The jacket should have long sleeves.
- The keys should be used to prevent unauthorized use. Keep keys locked in a secure place to avoid unwanted use of mini bike by untrained and underage users.
- Stay alert, watch what you are doing and use common sense when operating the mini bike. Do not use mini bike while you are under the influence of drugs, alcohol or medication. A moment of inattention while operating the mini bike may result in serious personal injury and/or death.
- Use of other devices while riding this mini bike is prohibited.
 - Do not use cell phone when riding. Interacting with your phone will greatly reduce your control of the mini bike and your ability to react to adverse conditions.
 - Do not wear earbuds or headphones while riding. The reduction in hearing could greatly impact your ability to react to unknown situations.
- To ensure controlled and safe operation of the mini bike, keep both hands on the handlebars and place both feet on the foot rest during riding. One handed riding does not offer sufficient control for all situations and keeping feet on foot rest ensures the rider is ready for unexpected situations.
- Never operate this mini bike next to severe vertical descents: cliffs, stairs, bodies of water, and the like. Free falls from such event could result in serious injuries and/or even death.
- Never tow or be towed by another vehicle. This mini bike is not designed to be towed or to tow other vehicles.

- Transport this mini bike via a truck, trailer, or manufacturer-approved hitch rack. Utilize a ramp to load and unload your mini bike and walk your mini bike up and down the ramp. Never ride the mini bike up or down the ramp. Take caution when loading and unloading the mini bike. Its weight is significant enough to cause serious injuries if it lands on you. On trailer or truck bed the mini bike should be standing on both wheels and the kickstand. Use tie-downs to secure the mini bike in place.
- YOUR MINI BIKE IS NOT A TOY. Do not play with other rider(s) during rides.

RIDING

- Ride Defensively. Always pay attention to your riding environment. Be wary of other riders and pedestrians and don't assume they can see you. Anticipating the actions of other riders and pedestrians isn't just speculation – it's a skill that ensures your safety and that of others. Understand your riding condition and modify your riding habits to accommodate those conditions. Surface conditions will greatly affect the control one has over their mini bike. Look out for potential objects, rocks, sticks which would require maneuvering to avoid.
- The mini bike's ideal riding surface is a level ground without loose debris such as rocks or gravel. It is understood that one can come across many surface conditions in one's ride. It is important that the rider practices with their mini bike in a safe and controlled area to understand how their mini bike handles in all conditions possible and what the rider needs to do to properly control their mini bike. Slick, bumpy, uneven, or rough surfaces may impair traction and contribute to possible accidents. Wet surfaces require longer stopping time/distance.
- Never ride this mini bike on ice. Slippery surface will prevent you from properly controlling the mini bike and may cause serious injuries.
- Never ride this mini bike on frozen lakes, rivers, or similar surfaces. Death or serious injury could occur if the ice breaks.
- This mini bike can be operated in light rainy conditions without risk to battery and electrical system. The rider must use more caution in these conditions as traction will deteriorate and braking distance will increase. Do not use it in medium to heavy rains.
 - **NOTICE:** This mini bike can't be submerged in water. Do not transverse waterways: puddles, brooks, creeks, or rivers, 10" (25.4 cm) in depth or greater. Failure to heed this precaution will result in electrical damage to your mini bike.

- Use your headlights (low beam) and taillight for all riding conditions. Using your headlight and taillight will make you more visible to other riders and pedestrians. It is suggested to use the high beam setting when riding during nighttime and in poor weather conditions, except fog.
- Know your brakes. Practice braking with your mini bike to get accustomed to how it handles in all conditions and situations. Note the following additional warnings:
 - Avoid sudden braking. Braking too fast can cause loss of control.
 - When the brakes get wet your stopping distance increases. Exercise extra caution when braking in wet conditions. To dry brakes, apply light pressure to the brake levers while riding.
 - When possible, reduce your speed before entering a turn.
 - Exercise caution on low traction surfaces. Tire slippage occurs easier and braking distance increases.
 - Avoid continuous braking. Such as on long or steep descent which can seriously overheat the brakes, reducing their effectiveness.

STORAGE AND PARKING

- If possible, store the mini bike in an enclosed space, garage or shed, with a cover. If stored outdoors, completely cover with a waterproof cover.
 - Do not store with battery pack(s) inserted. Remove the battery packs(s) after every use.
 - For long storage, wash mini bike before storing. Apply rust preventive oil to exposed metal parts and a vinyl/rubber protectant to seat and tires.
- Park mini bike on a firm level surface. If not possible, ensure mini bike is orientated in such a manner that ensures that the mini bike cannot fall over.
- Do not park mini bike near egresses of buildings.

BATTERY PACKS AND CHARGER

- Battery packs and chargers have separate operation manuals. Read, fully understand, and follow all safety warnings, instructions, and specification listed in them for proper charging of the battery pack.
- The battery pack charging process should only be carried out by an adult.

- Recharge approved battery packs only with the approved chargers specified by the manufacturer. A charger that is suitable for one type of battery pack may create a risk of fire when used with another battery pack. Below is a table of approved battery packs and chargers which can be used interchangeably. Contact EGO Customer Service for latest compatible battery packs and chargers for use with this product.

BATTERY PACK	CHARGER
BA1400, BA1400-FC, BA2800, BA2800-FC, BA4200, BA4200-FC, BA1400T, BA1400T-FC, BA2242T, BA2242T-FC, BA2800T, BA2800T-FC, BA3360T, BA3360T-FC, BA4200T, BA4200T-FC, BA4480T, BA4480T-FC, BA5600T, BA5600T-FC, BA6720T, BA6720T-FC	CH2100, CH2100-FC, CH3200, CH3200-FC, CH5500, CH5500-FC, CH2800D, CH2800D-FC, CH7000, CH7000-FC

NOTE: For best performance and maximum run time, it is recommended to use two 5.0Ah or higher Ah battery packs.

MAINTENANCE AND SERVICE

NOTICE: It is your responsibility to keep your mini bike well maintained. This is an essential process to ensure your safety, maximum performance, avoid breakdowns, and protect your investment. Any issues found in pre-ride inspection should be addressed immediately. Maintenance listed in this manual is acceptable to be performed by the owner. Any repairs or servicing needs should be performed by a properly trained and equipped technician. Do not ride the mini bike until it is repaired. Perform periodic checks per the “**Recommended Maintenance Schedule**”

- Before cleaning, or performing any maintenance, park the mini bike on a level surface, power off the mini bike, and remove the battery packs and keys to avoid accidental starting and possible serious personal injury.
- Allow mini bike to cool before performing any post riding maintenance. The hub motor and brakes’ calipers and rotors are known elements which get very hot. Contact with these items can lead to significant burns if not allowed to cool.
- Have your mini bike serviced by a properly trained and equipped technician using only identical replacement parts. This will ensure that the safety of the mini bike is maintained. Use of any other parts may create a hazard or cause product damage.

- When performing lubrication maintenance, avoid getting grease on the rotors or calipers as this could lead to a brake failure and personal injury. If grease gets on your rotors, remove with brake cleaner. If grease comes in contact with any brake pad, that pad must be replaced.
- Avoid letting brake fluids, gasoline, petroleum-based products, penetrating oils, etc., come in contact with plastic parts. Chemicals can damage, weaken, or destroy plastic, which may result in serious personal injury.
- Wash mini bike only with a standard garden hose without a nozzle. Use care when washing or rinsing near the seat. Sensitive electronics are contained under seat area and could be affected by water infiltration.
- Maintain or replace safety and instruction labels, as necessary. Contact EGO Customer Service for assistance in procuring new labels.
- If situations occur which are not covered in this manual, use care and good judgment. Contact EGO Customer Service for assistance.

FAILURE TO USE COMMON SENSE AND HEED THE ABOVE WARNINGS INCREASES RISK OF SERIOUS INJURY. USE WITH APPROPRIATE CAUTION AND SERIOUS ATTENTION TO SAFE OPERATION.

KEEP THIS MANUAL WITH YOUR MINI BIKE! Refer to it frequently and use it to instruct others who may use this product. If you loan this product to someone else, show them where the manual is stored to prevent misuse of the product and possible injury.

INTRODUCTION

Congratulations on your selection of the 56V Lithium-ion EGO MINI BIKE. It has been designed, engineered, and manufactured to give you the best possible dependability and performance.


Should you experience any problem you cannot easily remedy, please contact EGO customer service center 877-346-9876 (877-EGO-ZTRM).

This manual contains important information on to the safe assembly, operation and maintenance of your product. Read it carefully before using the product. Keep this manual handy so you can refer to it at any time.

SERIAL NUMBER _____ DATE OF PURCHASE _____ YOU SHOULD RECORD BOTH SERIAL NUMBER AND DATE OF PURCHASE AND KEEP IN A SAFE PLACE FOR FUTURE REFERENCE.
--

SPECIFICATIONS

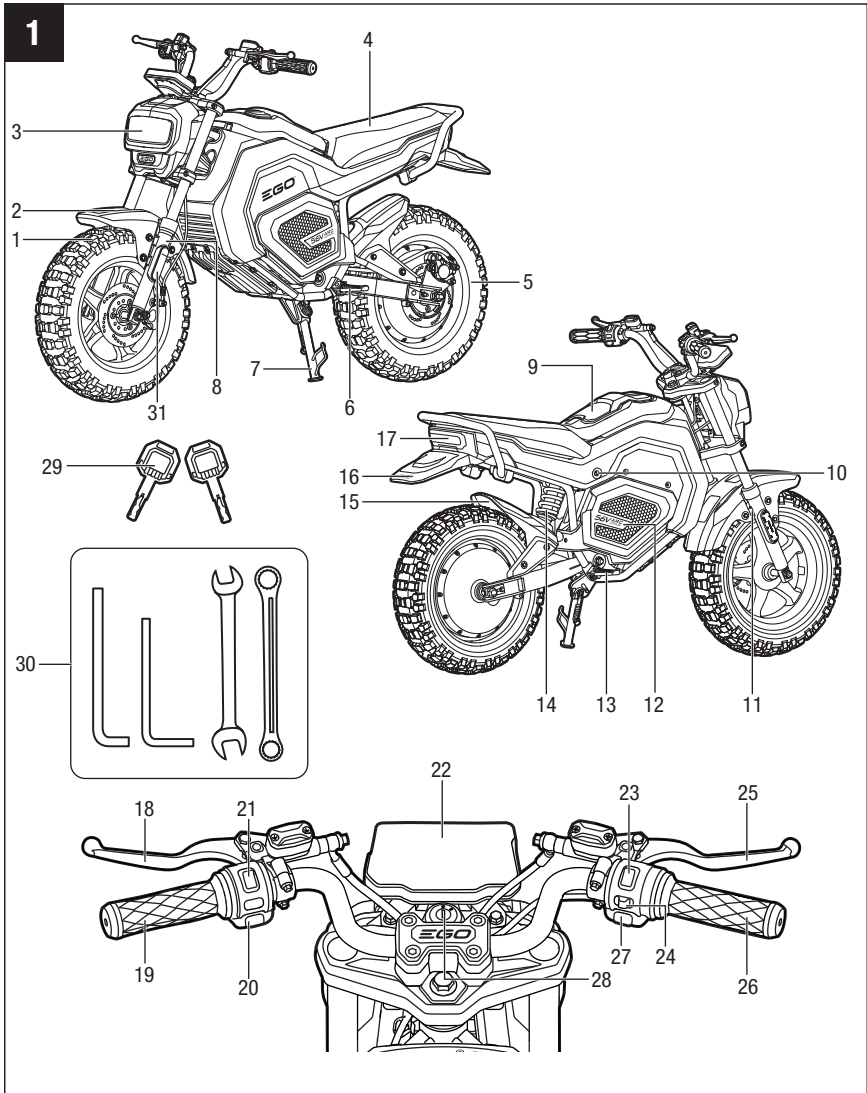
⚠ WARNING: This mini bike is designed and manufactured for off-road use only. It may be illegal to operate this mini bike on any public street, road, or highway in your area. Check your local (state, municipal, etc.) regulations.

Rated Voltage		56V 
Size (length x width x height)		61" x 39-3/8" x 28-17/64" (155 cm x 100 cm x 71.8 cm)
Rim Size	Front	12" (30.48 cm)
	Rear	
Tire Size	Front	130/70-12
	Rear	
Cold Tire Pressure	Front	32 psi (220.6 kPa)
	Rear	
Speed Range	Forward	ECO: Max 15 MPH (24 km/h)
		NORMAL: Max 20 MPH (32 km/h)
	SPORT: Max 28 MPH (44.8 km/h)	
		*NOTE: Only available with speed limiter switch off and with 10 Ah of battery capacity (e.g. two 5.0 Ah battery packs) inserted.
Reverse		≤2 MPH (3 km/h)
Range [using two (2) 7.5Ah battery packs]		20 miles (32 km) [in ECO drive mode] *NOTE: For reference only, the data varies depending on riding conditions.
Maximum Slope Capacity		13°
Seating Capacity		1 person
Load Capacity		220 lbs. (100 kg)
Recommended Operating Temperature		41°F–104°F (5°C–40°C)
Recommended Storage Temperature		-4°F–158°F (-20°C–70°C)
Weight (without battery pack)		148 lbs. (67 kg)
Ingress Protection Rating		IPX4* (Protection from splashing water)

*** NOTE:** IPX4 rating is based on the mini bike and battery being used together as a system.





DESCRIPTION

KNOW YOUR MINI BIKE (Fig. 1)



- | | |
|--------------------------------|-------------------------------|
| 1. Front Wheel Assembly | 17. Taillight |
| 2. Front Wheel Mudguard | 18. Rear (Left) Brake Lever |
| 3. Headlight | 19. Left Handlebar Grip |
| 4. Seat assembly | 20. Horn/Reversing Lever |
| 5. Rear Wheel Assembly | 21. Low Beam/High Beam Button |
| 6. Left Footrest | 22. LCD Screen |
| 7. Kickstand | 23. Riding Mode Selector |
| 8. Front Left Shock Absorber | 24. Lighting Control Button |
| 9. Battery Compartment Cover | 25. Front (Right) Brake Lever |
| 10. Battery & Storage Lock | 26. Throttle |
| 11. Front Right Shock Absorber | 27. READY Button |
| 12. Storage Compartment | 28. Power Lock |
| 13. Right Footrest | 29. Keys |
| 14. Rear Shock Absorber | 30. Toolkit |
| 15. Rear Wheel Mudguard | 31. Side Reflector |
| 16. Taillight Mudguard | |

Toolkit

			
6 mm Hex Key	5 mm Hex Key	8 mm/10 mm Wrench	8 mm/10 mm Combination Wrench

⚠ WARNING: The toolkit is for unpacking and assembly only. Immediately take the mini bike to service to have it inspected and repaired if necessary. Contact EGO customer service for support.

⚠ WARNING: The safe use of this product requires an understanding of the information on the product and in this operator's manual. Before use of this product, familiarize yourself with all operating features and safety rules.

Headlight/Taillight

The headlight provides illumination and visibility in low light conditions. The taillight allows the mini bike to be seen in the dark. It also lights up brighter when braking.

Front Wheel Mudguard/Rear Wheel Mudguard/Taillight Mudguard

Prevent water and debris from spraying up from the tires, covering headlight and taillight, and ruining clothing.

Side Reflectors

Increase visibility of the mini bike in dark riding conditions.

Left and Right Footrests

Allow rider to place feet to avoid touching the ground during riding. Both footrests can be folded when the mini bike is not in use.



Kickstand


Keeps the bike upright when it is not in use. When the kickstand is down, it also locks the drive system to prevent accidental start of the mini bike.

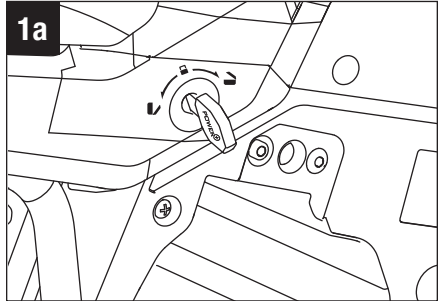
Front Left Shock Absorber/Front Right Shock Absorber/Rear Shock Absorber

Allow the wheels to absorb impacts, helping to keep tires in contact with the ground, increasing rider control and decreasing rider fatigue.

Battery & Storage Lock (Fig. 1a)

Lock the battery and storage compartments. Insert one of the keys and turn the key to , to unlock the battery compartment. Turn the key to , to unlock the storage compartment.

NOTE: Always turn the key to  before you close the storage compartment.

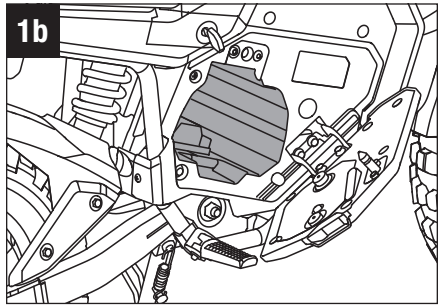


Storage Compartment (Fig. 1b)

Stores spare battery pack or other items.

Rear (Left) Brake Lever/Front (Right) Brake Lever



There is a brake lever on each end of the handlebar. The right-hand side is to apply the front brake, and the one on the left-hand side of the handlebar is to apply the rear brake.





Handlebars

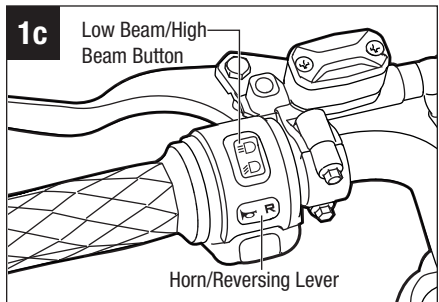
The handlebars are used for steering and controlling the mini bike.

Horn/Reversing Lever (Fig. 1c)

Press and hold the respective side of the switch to reverse the mini bike  or to activate the horn  to give a warning.

Low Beam/High Beam Button (Fig. 1c)

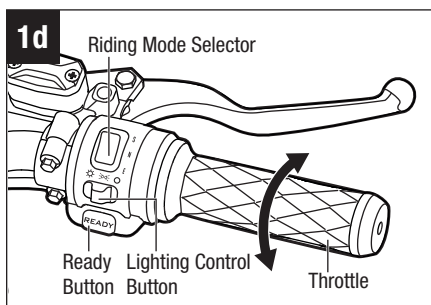
Press the button to switch the headlight between low beam  and high beam .



NOTE: Low beam is low intensity and reaches a shorter distance in front of the mini bike while high beam is high intensity and illuminates a greater distance. Do not use high beam in foggy conditions.

Riding Mode Selector (Fig. 1d)

This mini bike features three speed modes. “S” for SPORT mode, “N” for NORMAL mode and “E” for ECO mode. Each riding mode sets the maximum driving speed. Choose a suitable riding mode by toggling the selector according to the marks on it.



Lighting Control Button (Fig. 1d)

Controls the lighting system of the mini bike. Slide switch to the desired setting; all lights on ☀ / only running light on ⤵⏻ / all lights off ○.

Throttle (Fig. 1d)

A speed controller located on the right end of the handlebar. When you twist the throttle, the engine speed increases, and when you roll the throttle back, the engine speed decreases. It allows you to adjust the speed within the range of the selected riding mode.

⚠ DANGER: Be careful about how you use the throttle. As a beginner, don't rev too hard. Start slowly until you completely understand how it works. Practice in a safe open area to get used to this mini bike's acceleration.

⚠ DANGER: Be careful when starting or accelerating. Sudden acceleration may make the wheels spin and slip, causing the mini bike to slip sideways.

READY Button (Fig. 1d)

Press the button to activate the control system and make the mini bike ready to go.

Power Lock (Fig. 1e)

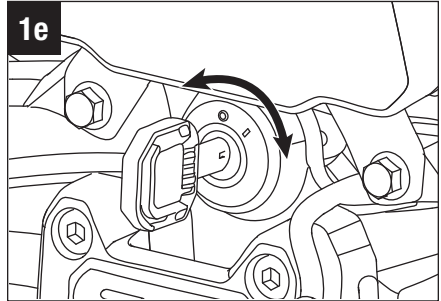
Turns ON (I) and cuts OFF (O) the power to the mini bike. Insert one of the keys and turn the key according to the marks beside the lock slot to power the mini bike ON or OFF.

Toolkit

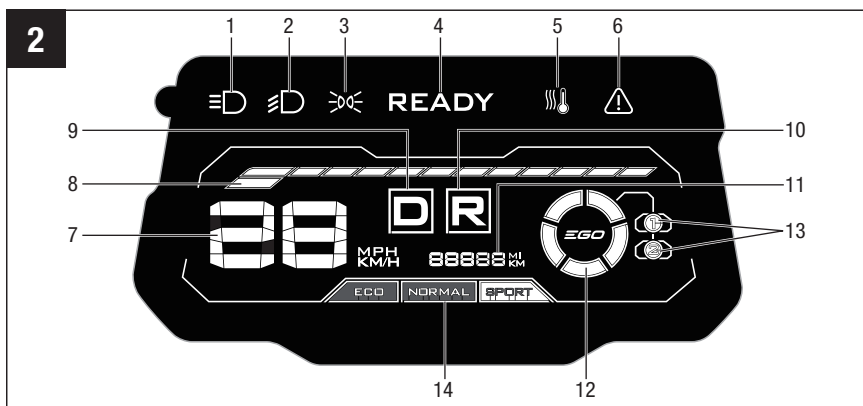
Set of tools for mini bike unpacking and assembly.

Keys

Two identical keys that can lock and unlock both power lock and battery & storage lock.



KNOW THE ICONS AND INDICATORS ON THE LCD SCREEN (Fig. 2)



- | | |
|-------------------------------|-----------------------|
| 1. High Beam Icon | 8. Load Indicator |
| 2. Low Beam Icon | 9. Drive Indicator |
| 3. Running Lights Icon | 10. Reverse Indicator |
| 4. READY Icon | 11. Odometer |
| 5. High-temperature Indicator | 12. Fuel-gauge Circle |
| 6. Fault Indicator | 13. Battery Icon |
| 7. Speedometer | 14. Riding Modes |

High Beam Icon

Indicates headlight set to high beam.

Low Beam Icon

Indicates headlight is set to low beam.

Running Lights Icon

Indicates running lights are enabled.

READY Icon

Indicates status of drive system. Flashing indicates the drive system needs to be engaged. Solid indicates drive system is engaged.

Flashing High-temperature Indicator

Indicates either an over-temperature battery or mini bike's motor has been detected.

Flashing Fault Indicator

Indicates a fault that requires immediate servicing.

Speedometer

Displays the current speed of the mini bike.

Load Indicator

Indicates load which is applied to the motor.

NOTE: Heavier loads will reduce travel range.

Forward Drive Indicator

Indicates drive system is set for forward motion.

Reverse Drive Indicator

Indicates drive system is set for reverse motion.

Odometer

Shows total distance traveled.

Fuel-gauge Circle

Indicates the average charge capacity of the inserted battery packs.

Battery Icon

Indicates battery ports in use.

Riding Modes

Indicates which riding mode is selected.

NOTE: The SPORT mode can only be activated when speed limiter is off and with 10 Ah of battery capacity (e.g. two 5.0 Ah battery packs or 2.5 Ah + 7.5 Ah battery packs) or higher.

ASSEMBLY

⚠ WARNING: If any parts are damaged or missing, do not operate this mini bike until the parts are replaced. Use of this mini bike with damaged or missing parts could result in serious personal injury.

⚠ WARNING: Do not attempt to modify this product or create accessories not recommended for use with this product. Any such alteration or modification is misuse and could result in a hazardous condition leading to possible serious personal injury.

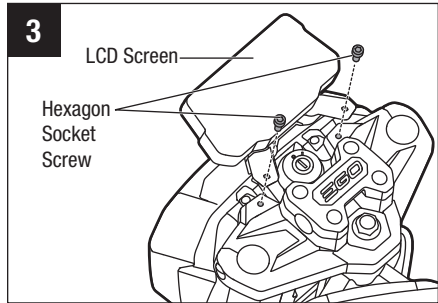
⚠ WARNING: To prevent accidental starting that could cause serious personal injury, always remove the battery pack and keys from the product when you are assembling parts, maintaining, cleaning, or when the product is not in use.

PACKING LIST

PART NAME	QUANTITY
Mini Bike	1
Key	2
Toolkit	1
Operator's Manual	1

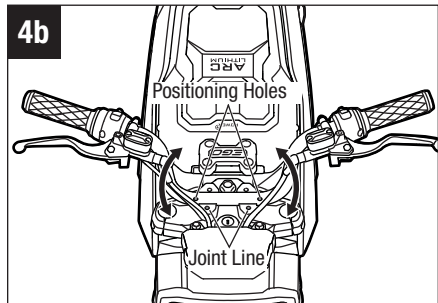
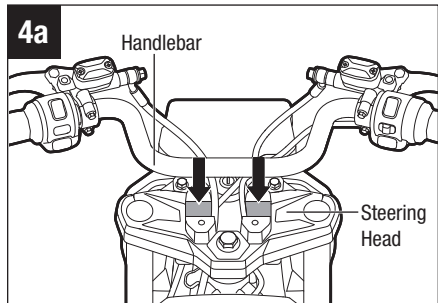
ATTACHING THE LCD SCREEN TO THE STEERING HEAD (Fig. 3)

- Ensure the battery packs are removed prior to LCD screen assembly.
- Remove the LCD screen from the package and unscrew the two M6 hexagon socket screws from the steering head using the 5 mm hex key (included in the toolkit).
- Align the mounting holes of the LCD screen with the bolt holes on the steering head. Use the two bolts and the hex key to secure the screen. Required torque is 6–7 ft-lb (8–10 N m). Torque wrench is required (not included).

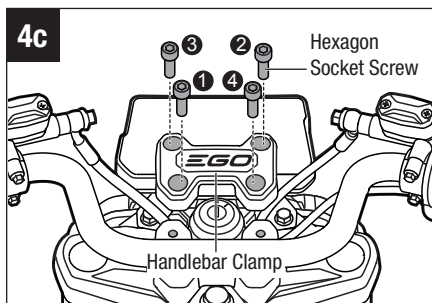


ATTACHING THE HANDLEBAR ASSEMBLY TO THE STEERING HEAD

- Ensure the battery packs are removed prior to handlebar assembly.
- Align and insert the knurled (textured) part of the handlebar into the groove on the steering head as shown in Fig. 4a.
- Align the positioning holes on both sides of the handlebar assembly with the joint line between the handlebar clamp and handlebar assembly (Fig. 4b).
- Install the handlebar clamp using the four M8 hexagon socket screws by hand. **NOTE:** The “EGO” logo on the handlebar clamp cannot be upside down, otherwise it will not fit.



- e. Rotate the handlebar to adjust the height until it is in a position where the rider can rest their hands on the handlebar grips with shoulders relaxed. Use the 6 mm hex key (included in the toolkit) to hand tighten the bolts until they are seated in the counterboard. Using the torque wrench (not included) to tighten the four bolts to a torque of 15–16 ft-lb (20–22 N m) in diagonal order shown in Fig. 4c.



- f. Give the handlebar assembly a good jerk back and forth to verify that it is properly secured. Loose handlebar may cause serious injury!

OPERATION

⚠ WARNING: Do not allow familiarity with this product to make you careless. Remember that a careless fraction of a second is sufficient to inflict serious injury or death.

⚠ WARNING: Wear a DOT (Department of Transportation) certified helmet, goggles, gloves, and boots to reduce the risk of potential injury.

⚠ WARNING: Do not use any attachments or accessories not recommended by the manufacturer of this product. The use of attachments or accessories not recommended can result in serious personal injury or death.

⚠ WARNING: To avoid accidental starting, always remove the battery packs and keys from the mini bike before cleaning, parking, servicing, and storing.

Before each use, perform pre-ride inspection. See chapter “**Pre-ride Inspection**”.

APPLICATIONS

You may use this product for purpose listed below:

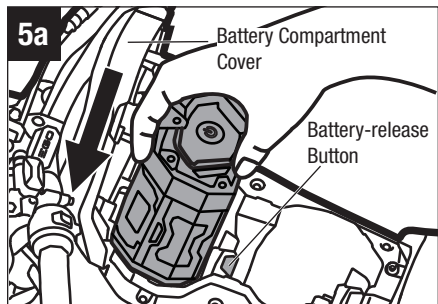
- Off-road leisure riding.

INSTALLING/REMOVING THE BATTERY PACK

NOTE: The fuel-gauge circle on the LCD screen indicates the battery-charge level (Fig. 2). The circle will flash when the battery charge nears depletion. Fully charge your battery pack(s) before each use.

To install battery pack (Fig. 5a)

- Insert the key into the battery & storage lock and turn the key clockwise to unlock the battery compartment.
- Hold the handlebars straight and open the battery compartment cover.



- c. Align the ribs of the battery pack with the mounting slots in one of the mini bike's battery ports.
- d. Slide the battery pack into the battery port and press it down until the battery-release button pops up and the battery pack snaps into position.
- e. Repeat the process to install the second battery pack.
- f. Press the battery compartment cover down to close it.
- g. Rotate the key counterclockwise to lock the battery compartment and remove keys.

NOTE: If only one battery pack is installed, only ECO riding mode will be available.

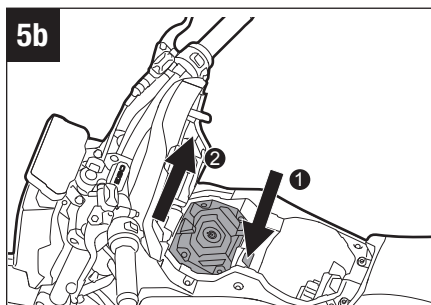
To remove battery pack (Fig. 5b)

⚠ WARNING: Always be aware of the location of your feet and children or pets around you when removing the battery pack. Battery pack is heavy and serious injury could result if the battery pack falls.

- a. Insert the key into the battery & storage lock and turn the key clockwise to unlock the battery compartment.
- b. Open the battery compartment cover.
- c. Press the battery-release button down and the battery pack will disengage from the latch and will pop up slightly.

⚠ WARNING: To protect your fingers from being hit by the ejected battery pack, keep fingers away from the battery pack when pressing the battery-release button.

- d. Grasp the battery pack and remove it from the battery port.
- e. Press the battery compartment cover down to close it.
- f. Rotate the key counterclockwise to lock the battery compartment and remove keys.



SPEED LIMITER

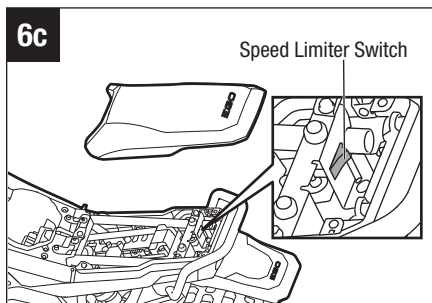
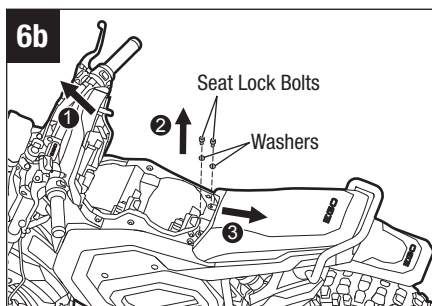
The speed limiter is designed to limit the riding speed of the mini bike to reduce the risk and the severity of injuries for inexperienced riders.

When the speed limiter switch is on, the SPORT mode is not available. If a rider attempts to activate the SPORT mode, the box around the “SPORT” icon on the LCD screen will flash three times and then turn off (Fig. 6a).

NOTICE: The speed limiter is set to ON by default at the factory.

To turn the speed limiter ON or OFF:

- Insert the key into the battery & storage lock and turn the key clockwise to unlock the battery compartment.
- Hold the handlebars straight and open the battery compartment cover (Fig. 6b).
- Loosen the two M6 hexagon socket seat lock bolts and washers with the 5 mm hex key (included in the toolkit). Then push the seat assembly towards the back of the mini bike to remove the seat assembly.
- Turn the speed limiter switch ON (I) or OFF (O) (Fig. 6c) and reinstall the seat assembly by following the above steps in reverse order.



NOTICE: Tighten the bolts to a torque of 6–7 ft-lb (8–10 N m) to prevent them from loosening.

⚠ WARNING: Always keep the speed limiter switch ON when an inexperienced rider is operating the mini bike.

PRE-RIDE INSPECTION

Check Before Riding

It is important to check the condition of the mini bike before each ride. The pre-ride checklist will help you reduce the chance of injury or trouble caused by mechanical problems and ensure that your mini bike is in good working condition before every ride.

Pre-ride Checklist

Item	Checks	Look for	Check-off	
Walk Around				
Visual	Condition	Obvious damage, missing parts, leakage		
Wheel Assembly				
Tires	Tire condition	Tread depth, wear, weathering, flat spots, embedded objects	Front	Rear
	Pressure	Check at room temperature, adjust based on loading	Front	Rear
Wheels	Rims condition	Cracks, dents, out of round	Front	Rear
	Bearings condition	No play (see wheel inspection)	Front	Rear
	Seals condition	Cracked, cut, or torn, excessive grease on outside	Front	Rear
Brakes	Brake function	Each brake on its own keeps mini bike from rolling	Front	Rear
	Brake condition	Wear, damage, and contamination	Front	Rear

Frame & Suspension				
Frame	Condition	Cracks at gussets and welds. Look for lifting paint		
	Steering Head Bearing	Smooth rotation, check for play (see steering bearing inspection)		
Suspension	Front Forks	Smooth travel, equal dampening	Left	Right
	Rear Shock	Smooth travel, linkage moves freely		
Kickstand	Condition	Cracks, bent		
	Function	When engaged drive system is locked out		
Footrest	Condition	Cracks, bent	Left	Right
	Retention	Retaining clip present	Left	Right
Fasteners	Threaded	Tight, missing bolts & nuts		
	Clips	Broken, missing		
Controls				
Levers	Lever condition	Broken, bent, cracked, securely mounted	Left	Right
	Pivot	Lubricated	Left	Right
	Function	Move freely	Left	Right
Throttle	Function	Moves smoothly, returns immediately		
Hoses	Hose condition	Cuts, cracks, leaks, bulges, chafing, deterioration	Left	Right
Lights				
Headlight	Condition	Cracks, securely mounted, clean		
	Aim	Centered and height		
	Function	High & Low beam operate		
Taillight/ Brake Light	Condition	Cracks, securely mounted, clean		
	Function	Running light illuminate when switched on. Brakes lamp activates when either brake lever used.		
Reflectors	Condition	Cracked, broken, securely mounted	Left	Right

Brake Fluid				
Brake Fluid Reservoir	Fill	Greater than 1/4 full	Left	Right

Pre-ride Check Details

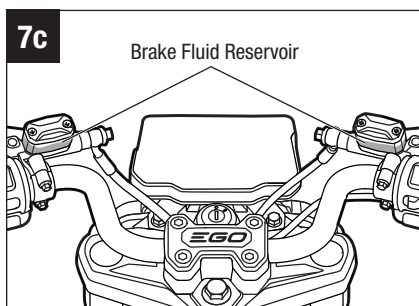
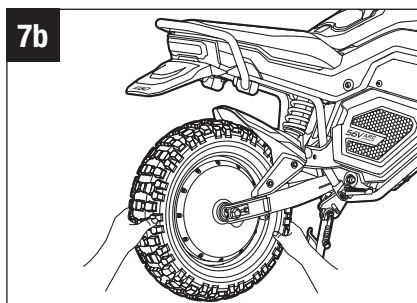
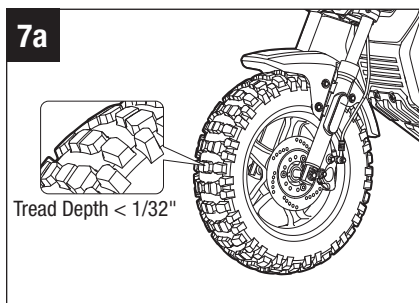
Component	Action
Visual Inspection	<ul style="list-style-type: none"> Visually inspect mini bike for missing or damage parts. Inspect ground below the brake cable for fluid leakage.
Lights and Reflectors	<ul style="list-style-type: none"> Verify all lights are functional. Both low and high beam illuminate. Taillight illuminates when turned on and intensity increases when either brake is applied. Check the lens and reflectors for cracks. If detected have damaged items serviced. Contact EGO customer service for support. Clean all lights and reflectors.
Tires	<ul style="list-style-type: none"> Use an air pressure gauge (not included) to check the tire pressure. Fill to 32 psi (220.6 kPa), if needed. Inspect tires for wear and damages: cuts, punctures or weather cracks. When the tire is worn and the tread depth is less than 1/32" (0.8 mm) (see Fig. 7a), contact EGO Customer Service for replacement.
Wheels	<ul style="list-style-type: none"> Ensure wheel is secured and balanced. Grasp a tire at approximately the 3 and 9 o'clock position on the tire and apply a twisting motion to the wheel (see Fig. 7b). There should be no free play or slip as you twist the wheel. For the front wheel, a second person should hold the handlebar steady while the other person checks the wheel for play in the manner described above. If movement is noticed, have the mini bike serviced immediately. Contact EGO customer service for support. <p>After pre-ride inspection, test ride your mini bike in an open and safe area to assess wheels for runout or vibration. If excess runout or vibration is detected, have the mini bike serviced. Contact EGO customer service for support.</p>

Component	Action
Spokes and Rims	<ul style="list-style-type: none">■ Examine the whole rim for cracks, dents, and other damages. If damage is found, have the rims replaced prior to next use of mini bike.
Nuts and Bolts	<ul style="list-style-type: none">■ Use included wrenches to make sure all non-critical fasteners are tight:<ul style="list-style-type: none">- Headlight housing mounting bolts.- Taillight housing mounting screws.- LCD Screen housing mounting bolts.- Mud flap mounting bolts.■ If any other fasteners are found to be loose, contact EGO Customer Service for servicing.
Handlebar	<ul style="list-style-type: none">■ Verify handlebar is firmly secured.
Throttle	<ul style="list-style-type: none">■ Check the throttle movement: rotate throttle back fully and release. Throttle movement should be smooth and return to starting position immediately. If throttle does not respond immediately contact EGO Customer Service for servicing.
Brake Levers	<ul style="list-style-type: none">■ Verify that both brake levers are mounted rigidly to handlebar and with no sign of loosening fasteners. If loosening is noted, have the brake levers serviced immediately. Contact EGO customer service for support.■ Verify that levers retract and release freely and immediately with no hesitation. If there are any issues with the lever's movement, have mini bike serviced immediately. Contact EGO customer service for support.

Component	Action
Brakes Pads and Rotors	<ul style="list-style-type: none"> ■ Verify grasping of the brake lever engages the caliper into the brake rotor before the lever reaches 3/4 of the travel. Repeat this for each brake lever. If depressing the lever does not allow the caliper to contact rotor, have mini bike serviced immediately. Contact EGO customer service for support. ■ Straddle the mini bike and support it in vertical position. Check brake fluid reservoir for fluid level (Fig. 7c). If the fluid reservoir is 3/4 empty, have mini bike serviced. Contact EGO customer service for support. ■ Inspect brake lines for signs of fluid leakage. If found, have mini bike serviced. Contact EGO customer service for support. ■ Inspect the brake pads for wear, damage, or contamination. Brake pads less than 1/16" (1.5 mm) thick need to be replaced. Verify there are no cracks, glazing, or uneven wear of the brake pads. If wear, damage, contamination is found, have mini bike serviced. Contact EGO customer service for support. ■ Inspect brake rotors for wear, damage, or contamination. If warping, cracking, or excessive wear is detected, have mini bike serviced. Contact EGO customer service for support. If contamination is found, clean rotors with brake cleaner. <p>After pre-ride inspection, test your brakes by riding the mini bike in an open and safe area to assess the braking performance. Look for abnormal noises and vibration. If detected, have mini bike serviced. Contact EGO customer service for support.</p> <p>NOTE: A squeaking noise heard while applying the brakes during testing or on normal rides is an indicator that brake pads and/or rotors require servicing.</p>

Component	Action
Structure	<ul style="list-style-type: none"> ■ Inspect frame and front fork for cracks in welds and/or bending of structure. ■ Inspect the front fork. Look for the presence of oil on the outer tube of the suspension. If present, do not ride mini bike. Have it serviced immediately. Contact EGO customer service for support. ■ Inspect the rear shock. Look for the presence of oil on the outer tube of shock absorber. Verify that shock is not disconnected or malfunctioning. If oil is detected, the shock is disconnected from frame or malfunctioning, have mini bike serviced. Contact EGO customer service for support. ■ Clean fork tubes to remove bugs, tar, or any buildup which would lead to seal wear and leakage. ■ Inspect outer surface of inner fork for scratches and damage from foreign objects. If scratches and/or damage are found, have your mini bike serviced. Contact EGO customer service for support. ■ Test your suspension. Straddle the mini bike and bring it to an upright position. For the front suspension, apply the front brake and push down hard on the handlebars several times. The suspension should operate smoothly and quietly. ■ Have the mini bike's front and rear sag adjusted for the weight of the rider. This needs to be performed by a certified technician. Contact EGO customer service for support. <p>After pre-ride inspection, ride your mini bike in an open and safe area to assess any alignment issue. If detected have mini bike serviced. Contact EGO customer service for support.</p>
Battery Packs	Make sure the charge level is sufficient to complete the ride.

⚠ CAUTION: If there is a problem with any items listed above, contact EGO Customer Service for adjustment, repair and replacement.



STARTING/STOPPING THE MINI BIKE

⚠ WARNING:

- The kickstand must be retracted before riding to prevent the mini bike from turning over when turning or encountering obstacles that may cause injury to the rider.
- Check whether the front and rear brake systems work properly. If there is any problem, contact EGO Customer Service for repair immediately.
- Don't hang objects on the handlebar when riding. This may affect the control over the mini bike and lead to injuries.
- Always be aware of your surroundings, and don't get carried away by focusing on the functions instead of looking ahead of the road.

The most basic aspect of learning to ride a mini bike is understanding the primary controls and features of the mini bike. Get familiar with the mini bike controls in “**KNOW YOUR MINI BIKE**” section before starting the mini bike. Learn how to locate and use the controls without looking at them. You will not have time to look for the controls when riding.

To Start the mini bike

- a. Install battery packs.
- b. Sit on the mini bike.
- c. Insert the key into the ignition and rotate clockwise moving from the OFF position “0” to the ON position “1”. The LCD screen will illuminate.
- d. Hold the handlebars with both hands, straighten the mini bike, and fold/retract the kickstand. NOTE: The box around the “D” icon appears, and “READY” icon will start flashing indicating that the drive system needs to be engaged.
- e. Select Drive mode: ECO, NORMAL, or SPORT. See “**SPEED LIMITER**” chapter for activating SPORT mode.
- f. Unfold the footrests with your feet. With one foot on the ground and the opposite foot on the footrest to maintain balance, turn on the headlight (high beam or low beam depending on the ambient lighting).
- g. Press “READY” button to engage the drive system. The “READY” icon now displays solid.

NOTE: If the rider does not start the mini bike within 1 minute after pressing the READY button, the “READY” icon will turn off and the mini bike will return to the state it was in step f.

- h. Gently rotate the throttle to propel the mini bike forward. The speedometer will display the current riding speed. When the riding speed is lower than 2 MPH (3 km/h), the READY icon will remain illuminated. As soon as the speed reaches or exceeds 2 MPH (3 km/h), the READY icon will turn off.

NOTE: To operate the mini bike in reverse, follow steps a thru g. Then press the “R” of the Horn/Reverse switch and hold. The “D” icon will disappear and a solid “R” icon will display on screen and the mini bike will start to move backwards.

⚠ WARNING: To avoid injury, always be aware of your surroundings when reversing the mini bike.

⚠ DANGER: A quick twist of the throttle effects instant acceleration – the mini bike might move suddenly, causing you to lose control or fall off the mini bike. Not following this instruction may cause serious injury!

⚠ WARNING: When you need to brake or change riding mode, always release the throttle before performing other operations.

NOTE: Make sure to use both brakes for optimum performance.

To Stop the Mini Bike

Release the throttle. Squeeze the front and rear hand brakes together.

The brake levers also function as a motor kill switch, cutting off power to the motor every time they are engaged. In the emergency case, when the throttle is stuck in the on position, to safely stop the mini bike:

- Squeeze both brake levers to come to a controlled stop.
- While squeezing one of the brake levers with one hand, use the other hand to grab the key to turn the mini bike off.
- Dismount the mini bike. Do not ride it until it's been serviced. Contact EGO Customer Service immediately.

Precautions after Riding

- The mini bike can be supported by the kickstand on solid and flat ground.
- After using, fold the footrests with your foot, lower the kickstand, park it, turn off the power, and remove the key.
- Check whether the battery pack has enough charge for your next ride.

MAINTENANCE

⚠ WARNING: Before servicing, cleaning, making any maintenance or when the product is not in use, park the mini bike on a level surface, power it off, and remove the battery packs and keys to avoid accidental starting and possible serious personal injury.

⚠ WARNING: Have your mini bike serviced by a properly trained and equipped technician using only identical replacement parts. This will ensure that the safety of the mini bike is maintained. Use of any other parts may create a hazard or cause product damage.

NOTE: If you are a qualified technician with the appropriate equipment, you can contact EGO customer service for a copy of the Service instructions.

Maintenance and service is imperative to ensure the safe operation, performance, and to avoid breakdowns while riding. It is the owner's responsibility to maintain and service the mini bike as needed. Pre-ride inspections and routine maintenance are required and aid in achieving a safe ride.

RECOMMENDED MAINTENANCE SCHEDULE

In addition to pre-ride inspections, regular maintenance and repair are also needed. The first maintenance should be carried out in the second month after purchase. After that, it is recommended to conduct comprehensive inspection and maintenance at EGO Customer Service every three months to evaluate the mini bike performance. The maintenance items are shown in the table below:

Item	Maintenance Level	Frequency					
		Every Week	Half a Month	Every Month	Every 2 Month	Every 3 Month	Regularly Replace
Throttle Operation	General					i	
Brake Fluid	Technical				i		
Brake Pads	Technical		i				less than 1/16" (1.5 mm) thick

Brake System	Technical					i	
Tail/Brake Lights	General					i	
Headlight	General					i	
Kickstand	General					i	
Suspension	Technical					l	
Wheels/Tires	Technical	i					Wheels: 1 year or 6000 km
							Tires: have cracks or tread depth less than 1/32" (0.8 mm)
Steering Head Bearing	Technical					l	
Nuts, Bolts, Fasteners	General					i	

General – Recommend to be serviced by a trained and equipped technician, unless one has the mechanical skills required.

Technical – For safety it is best to have mini bike serviced by trained and equipped technician.

i – Inspect (clean, lubricate, or replace, if necessary)

c – Clean

l – Lubricate

r – Replace

For detailed inspection and maintenance operations, contact EGO Customer Service.

GENERAL MAINTENANCE

For this mini bike all critical systems; brakes, frame, suspension, and throttle, must be serviced by a trained and equipped technician. Non-critical fasteners and lubrication can be maintained by the customer.

Lubricate front suspension seal as needed. In dry and dusty environments, the lubrication period will be shorter.

Lubricate all pivots as needed:

- Brake lever pivots.
- Footrest pivots.
- Side stand pivot.
- Throttle

Retighten loose fasteners on non-critical systems:

- Headlight housing mounting bolts.
- Taillight housing mounting screws.
- LCD Screen housing mounting bolts.
- Mud flap mounting bolts.

The maintenance schedule provides maintenance requirement to ensure the safe use of the mini bike. Keep a log of maintenance records.

CLEANING

⚠ WARNING: Do not let brake fluids, gasoline, petroleum-based products, penetrating oils, etc., come in contact with plastic parts at any time. Chemicals can damage, weaken, or destroy plastic, which may result in serious personal injury.

- Avoid using solvents when cleaning plastic parts. Most plastics are susceptible to damage from various types of commercial solvents and may be damaged by their use. Use clean cloth to remove dirt, dust, oil, grease, etc. Insect repellent spray may damage plastic and painted surfaces. Do not spray insect repellent near the mini bike.
- Prolonged exposure to sunlight will damage some surfaces.
- If the mini bike is left out in the rain accidentally, use dry clean cloth to dry the seat, throttle, etc., before you restart it or store it.

⚠ WARNING: Always remove keys and battery packs from the mini bike before cleaning.

- Don't flood the battery compartment and electrical components with water. Don't pour water directly into the storage compartment. When cleaning the mini bike, wipe it with a wet towel after squeezing the water out.
- Don't pour water directly on the brakes, motors, and front and rear axles because water may be taken in and the life of components will be shortened.
- It is strictly prohibited to flush the mini bike directly with strong water stream. The electrical parts may be damaged or broken down.
- Clean the mini bike with clear water and neutral detergent. Use soft cloth to dry the mini bike after washing to prevent scratching.

⚠ WARNING: Make sure the battery compartment is dry after each cleaning to avoid risk of electric shock and damage to the mini bike.

CHECKING THE TIRE PRESSURE

Check the air pressure in both tires before use. Improper air pressure will affect handling, steering response, traction, tire life, and rider comfort. Be sure the tires are inflated to the pressure shown in the “**SPECIFICATIONS**” table earlier. Make sure the caps are tight after inflating the tires.

NOTICE: Tire pressure should only be measured or adjusted when tires are cold.

⚠ WARNING: Check the tire pressure carefully while inflating. Too much air in the tire could cause the tire to burst, causing serious personal injury.

⚠ WARNING: Maintaining correct air pressure in the tires is very important. Too little pressure could allow the tire to rotate off the wheel rim. Too much pressure could cause the tire to burst. Failure to maintain correct air pressure in the tires could cause problems with riding stability, causing serious personal injury.

INSPECTING AND MAINTAINING THE TIRES

Check if there are cracks or visible signs of damage of the tires. It is also a good time to remove embedded debris from the tires, like pebbles, glass shards, or screws.

When tires are worn or damaged, or the tread wear marks are not visible, contact EGO Customer Service for replacement.



⚠ CAUTION: If you don't own special mechanical tools or measuring instruments, contact EGO Customer Service for inspection and replacement. Don't disassemble the mini bike before you master the technology, to avoid damage to other parts.

STORING

- Power off the mini bike, remove the keys and battery packs before storing.
- Thoroughly clean the mini bike. See “**CLEANING**” chapter for reference.
- Inspect the mini bike for worn or damaged parts and tighten any nuts or screws that may have become loose.
- Store the mini bike in a dry, clean covered, enclosed space, out of the reach of children. Do not store it next to corrosive materials, such as fertilizer or rock salt.

TROUBLESHOOTING

PROBLEM	CAUSE	SOLUTION
Motor does not run.	<ul style="list-style-type: none">■ The battery packs are not (properly) attached to the mini bike.■ No electrical contact between the electrical components and battery packs.■ The battery pack charge is depleted.■ The battery packs or mini bike are too hot.■ The kickstand is not retracted.■ The READY button is not pressed before turning the throttle.	<ul style="list-style-type: none">■ Properly attach the battery packs to the mini bike.■ Remove battery packs, check contacts and reinstall the battery packs.■ Charge the battery packs.■ Take a break, remove the battery packs, and allow the battery packs and mini bike to cool.■ Retract the kickstand before riding or reversing.■ Press the READY button beside the right handlebar before turning the throttle.
The mini bike drives slowly or has a short run time.	<ul style="list-style-type: none">■ The battery packs are not fully charged.■ Old/damaged battery packs.■ Under-inflated tires.■ Mini bike load exceeds the capacity.	<ul style="list-style-type: none">■ Charge the battery packs.■ Replace the battery packs.■ Inflate the tires to 32 psi (220.6 kPa) when they are cold.■ Keep mini bike load within 220 lbs. (100 kg)

PROBLEM	CAUSE	SOLUTION
The SPORT mode cannot be used.	<ul style="list-style-type: none"> ■ Low Ah battery pack used. ■ Speed limiter switch is on. 	<ul style="list-style-type: none"> ■ Use two 5.0Ah or higher Ah battery packs. ■ Turn off the speed limiter switch. Refer to chapter "SPEED LIMITER".
Mini bike skids while riding.	<ul style="list-style-type: none"> ■ Brake failure or long braking distance. ■ Worn or wrong tires. ■ Tires are under- or over-inflated. ■ Riding on slippery surface. 	<ul style="list-style-type: none"> ■ Inspect the free stroke of brake, brake line, brake disc wear and contact EGO Customer Service for repair. ■ Contact EGO Customer Service for replacement. ■ Inflate or deflate the tires when they are cold until the tire pressure is 32 psi (220.6 kPa). ■ Slow down, stop as soon as possible, walk your mini bike off the slippery area with care and avoid entering the slippery area again.
The low and high beams cannot be turned on.	<ul style="list-style-type: none"> ■ The lightning control system is not switched to "all lights on". 	<ul style="list-style-type: none"> ■ Push the lightning control button to  (all lights on) before activating low and high beams.
The storage compartment cannot be closed.	<ul style="list-style-type: none"> ■ The storage compartment is not locked. 	<ul style="list-style-type: none"> ■ Turn the key to  before closing the storage compartment.

FAULT CODE REFERENCE

The on-board computer system will take action to protect the operator and the mini bike when it detects an issue. When it acts to turn off the mini bike or a component, it will indicate that a fault has occurred, the speedometer on the LCD screen will be replaced by the fault code and the speed unit on the right side of the speedometer will disappear.

Fault Code on LCD Screen	Description	Solution
12	The battery packs are too hot.	Take a break, remove the battery packs and allow the battery packs and mini bike to cool.
21	The motor is too hot.	Take a break, remove the battery packs and allow the mini bike to cool.
32	Low battery charge	Charge the battery packs.
34	Overcurrent protection	Restart the mini bike. Keep mini bike load within 220 lbs. (100 kg) and avoid riding the mini bike on a slope exceeding 13°.
35	Stall protection	Restart the mini bike. Keep mini bike load within 220 lbs. (100 kg) and avoid riding the mini bike on a slope exceeding 13°.
36	Electronics are too hot.	Take a break, remove the battery packs and allow the mini bike to cool.

NOTICE: For any other fault codes appeared on the LCD screen, which may indicate communication failure, throttle signal error, motor failure, controller failure, etc., please remove all battery packs and re-insert them a few minutes later to restart the mini bike. If this doesn't solve the problem, please contact EGO customer service center and have repairs performed by a qualified service technician.

EGO LIMITED WARRANTY

WARRANTY POLICY TERMS AND DURATION

Chervon North America, Inc. (“Chervon North America”) provides the following Limited Warranty for EGO products to the original purchaser of EGO products.

The detailed warranty period for each EGO product can be found online at <http://egopowerplus.com/warranty-policy>.

Please contact EGO Customer Service Toll-Free at 877-346-9876 (877-EGO-ZTRM) any time you have questions or warranty claims or would like a hard copy of the warranty.

LIMITED SERVICE WARRANTY

EGO products are warranted against defects in material or workmanship from the date of original retail purchase for the applicable warranty period. For any properly and timely submitted warranty claim, if Chervon North America determines a product to be defective during the warranty period, the product will receive free repair or replacement as determined by Chervon North America.

HOW TO OBTAIN SERVICE

For warranty service, within the applicable warranty period, please contact EGO customer service toll-free at **877-346-9876 (877-EGO-ZTRM)**. When requesting warranty service, you must present the original dated sales receipt. An authorized service center will be selected to evaluate and repair the product if defective according to the stated warranty terms. When bringing your product to the authorized service center, there may be a small deposit that will be required when dropping off your tool. This deposit is refundable when the repair service is deemed to be covered under warranty.

ADDITIONAL LIMITATIONS & EXCLUSIONS

This limited warranty applies only to the original purchaser from an authorized EGO retailer and is not transferable. EGO products shall not be considered defective, and this warranty will not apply, where the claimed defect is attributable to any cause other than the above-defined defects. This warranty shall be void if the product has been used for rental purposes. This warranty shall not apply to damage caused by accident, abuse, misuse, alteration, modification, unauthorized repair, liquid contact, fire, earthquake or other external cause; operating the product outside EGO’s instructions, specifications or guidelines; or failure to properly service or maintain the product. This warranty also does not apply to cosmetic damage, including but not limited to scratches or dents; defects caused by normal wear and tear or otherwise due to the normal aging of the product.



THIS EXPRESS WARRANTY IS GIVEN IN LIEU OF ALL OTHER WARRANTIES, EXPRESS OR IMPLIED, INCLUDING, BUT NOT LIMITED TO, ANY WARRANTIES OF MERCHANTABILITY OR FITNESS FOR PARTICULAR PURPOSE OR USE, WHICH ARE DISCLAIMED. Any implied warranties, including warranties of merchantability or fitness for a particular purpose, that cannot be disclaimed under state law are limited to the applicable warranty period defined at the beginning of this article. The sole and exclusive remedy in connection with the purchase, installation, use, and/or performance of the EGO products is repair or replacement of the product as determined by Chervon North America. Chervon North America's maximum liability shall not in any case exceed the purchase price paid for the product. CHERVON NORTH AMERICA SHALL NOT BE LIABLE TO THE USER OR TO ANYONE ELSE FOR CONSEQUENTIAL, INCIDENTAL, SPECIAL, EXEMPLARY, INDIRECT, OR PUNITIVE DAMAGES ARISING FROM USE OF THE PRODUCTS, INCLUDING BUT NOT LIMITED TO PERSONAL INJURY, DEATH, PROPERTY DAMAGE, LOST PROFITS, OR OTHER ECONOMIC INJURY. This warranty gives you specific legal rights, and you may also have other rights which vary from state to state. Some states do not allow limitations on how long an implied warranty lasts, the exclusion or limitation of incidental or consequential damages, or the limitations on time to bring certain actions, so such limitations contained herein do not apply to individual consumers in those states.

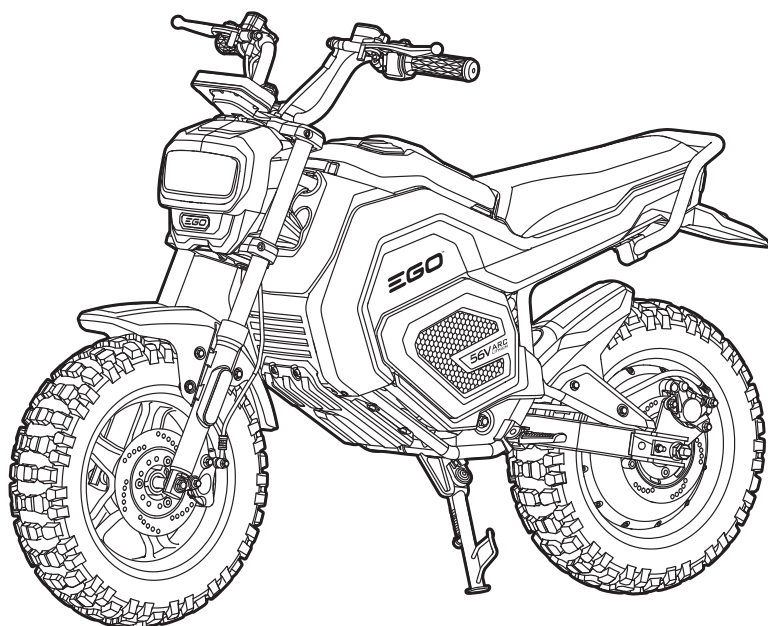
This warranty is subject to and shall be interpreted according to Michigan law without regard to principles of conflicts of laws. No legal action shall be brought against Chervon North America unless filed within one (1) year after the basis for such legal action becomes known, or with the exercise of reasonable diligence should have become known. Any action not timely filed shall be deemed waived.

For customer service contact us toll-free at: **877-346-9876 (877-EGO-ZTRM)** or **EGOPOWERPLUS.COM**.

EGO Customer Service
769 Seward Ave. NW, Suite 102
Grand Rapids, Michigan 49504.

EGO™

POWER+ MINI BIKE™



ÂGE DU PILOTE : 16 ANS ET +

**POUR UNE UTILISATION
HORS ROUTE UNIQUEMENT**

**GONFLEZ LES PNEUS AVANT
LA PREMIÈRE UTILISATION**

GUIDE D'UTILISATION

MINIMOTO 56 V

NUMÉRO DE MODÈLE MB1000/ MB1000-FC

⚠ AVERTISSEMENT : Afin de réduire les risques de blessure, l'utilisateur doit lire et comprendre le guide d'utilisation avant d'utiliser ce produit. Conservez le présent guide afin de pouvoir le consulter ultérieurement.

Ce manuel doit être considéré comme une partie intégrante de la minimoto et doit l'accompagner en cas de revente.

Cette publication contient les dernières informations de production disponibles avant l'impression. EGO se réserve le droit de procéder à des modifications à tout moment, sans préavis et sans obligation.

La minimoto illustrée dans ce manuel peut ne pas correspondre à votre minimoto réelle.

Veuillez contacter le service à la clientèle EGO au numéro gratuit 877-346-9876 (877-EGO-ZTRM) si vous avez des questions.

LISEZ TOUTES LES INSTRUCTIONS !



LISEZ LE MODE D'EMPLOI ET
ASSUREZ-VOUS QUE VOUS LE COMPRENEZ

TABLE DES MATIÈRES

Symboles de sécurité	51-52
Symboles	53-54
Consignes de sécurité pour la minimoto	55-62
Introduction	63
Spécifications	63-64
Description	65-72
Assemblage	73-75
Fonctionnement	76-89
Entretien	90-94
Guide de dépannage	95-96
Référence des codes d'erreur	97
Garantie limitée EGO	98-99

SYMBOLES DE SÉCURITÉ

Les symboles de sécurité ont pour but d'attirer votre attention sur les dangers possibles. Les symboles de sécurité et les explications qui les accompagnent méritent votre attention et votre compréhension. Les symboles d'avertissement n'éliminent pas, en eux-mêmes, tout danger. Les instructions et les avertissements qu'ils donnent ne remplacent pas les mesures appropriées de prévention des accidents.

Ce manuel contient de nombreux avertissements et mises en garde concernant les conséquences d'un manque d'entretien, d'inspection ou d'utilisation correcte de votre minimoto. Comme tout incident peut entraîner des blessures graves, voire mortelles, nous ne répétons pas l'avertissement concernant la possibilité de blessures graves ou mortelles à chaque fois qu'une telle possibilité est mentionnée.

Lorsque vous utilisez ce produit, vous devez suivre les instructions du mode d'emploi et vous conformer aux lois fédérales et au code de la route local. L'utilisateur est responsable des conséquences négatives découlant des circonstances suivantes :

- Violation des lois et règlements.
- Utilisation incorrecte.
- Démontage et modification de la configuration d'origine sans autorisation.
- Fonctionnement illégal.

⚠ AVERTISSEMENT: Assurez-vous de lire et de comprendre toutes les instructions de sécurité figurant dans le présent mode d'emploi, ainsi que tous les avertissements figurant sur la minimoto, y compris tous les symboles d'alerte de sécurité tels que « **DANGER** », « **AVERTISSEMENT** » et « **ATTENTION** » avant d'utiliser cette minimoto. Le non-respect de toutes les instructions énumérées ci-dessous peut entraîner la mort et/ou des blessures graves et un incendie.

Les définitions ci-dessous décrivent le niveau de gravité de chaque avertissement. Veuillez lire le manuel et prêter attention à ces symboles.

	Il s'agit du symbole d'alerte de sécurité. Il est utilisé pour vous avertir des risques potentiels de blessures. Respectez tous les messages de sécurité qui suivent ce symbole afin d'éviter tout risque de blessure ou de décès.
 AVERTISSEMENT	AVERTISSEMENT : indique une situation dangereuse qui, si elle n'est pas évitée, pourrait entraîner la mort ou des blessures graves.
 MISE EN GARDE	ATTENTION : utilisé avec le symbole d'alerte de sécurité, indique une situation dangereuse qui, si elle n'est pas évitée, entraînera des blessures mineures ou modérées.
 DANGER	DANGER : indique une situation dangereuse qui, si elle n'est pas évitée, entraînera la mort ou des blessures graves.

MESSAGES DE PRÉVENTION DES DOMMAGES ET D'INFORMATION

Ces messages informent l'utilisateur d'informations et/ou d'instructions importantes qui, si elles ne sont pas respectées, peuvent entraîner des dommages à l'équipement ou à d'autres biens. Chaque message est précédé du mot « AVIS », comme dans l'exemple ci-dessous :

AVIS : Le non-respect de ces instructions peut entraîner des dommages matériels et/ou des dégâts matériels.

SYMBOLES

Cette page présente et décrit les symboles de sécurité susceptibles d'apparaître sur ce produit. Lisez, comprenez et suivez toutes les instructions figurant sur la minimoto avant de tenter de l'assembler et de l'utiliser.

	Alerte de sécurité	Indique un risque potentiel de blessures corporelles.
	Lisez et comprenez le mode d'emploi	Pour réduire le risque de blessure, l'utilisateur doit lire et comprendre le mode d'emploi avant d'utiliser ce produit.
	Symboles de recyclage	Ce produit utilise des batteries au lithium-ion (Li-ion). Les lois locales, régionales ou fédérales peuvent interdire la mise au rebut des batteries dans les poubelles ordinaires. Consultez les autorités locales chargées des déchets pour obtenir des informations sur les options de recyclage et/ou de mise au rebut disponibles.
IP...	Degré de protection contre les infiltrations	Classifie le degré de protection fourni par une enceinte, pour l'équipement électrique.
	Courant continu (CC)	Type ou caractéristique du courant
V	Volt	Tension
mm	Millimètre	Longueur ou taille
cm	Centimètre	Longueur ou taille
MPH	Miles par heure	Vitesse
km/h	Kilomètres par heure	Vitesse
ft	Pied	Longueur ou taille
in.	Pouce	Longueur ou taille

kg	Kilogramme	Poids
lb	Livre	Poids
ml	Millilitre	Volume
fl.oz	Once liquide	Volume
°C	Degré Celsius	Température
°F	Degrés Fahrenheit	Température

INSTRUCTIONS DE SÉCURITÉ CONCERNANT L'UTILISATION DE LA MINIMOTO

⚠ AVERTISSEMENT! Lisez, comprenez et suivez tous les avertissements de sécurité, les instructions, les illustrations et les spécifications fournis avec cette minimoto avant de l'utiliser. Le non-respect de toutes les instructions énumérées ci-dessous peut entraîner des blessures graves, un choc électrique et/ou un incendie.

Conservez tous les avertissements et toutes les instructions pour référence future et pour la revente.

Vérifiez toujours et respectez les lois et réglementations locales qui peuvent affecter les lieux où la minimoto EGO peut être utilisée.

AVERTISSEMENTS GÉNÉRAUX

⚠ AVERTISSEMENT!

- La conduite d'une minimoto présente des risques potentiels qui requièrent une prudence accrue. L'utilisation d'une minimoto comporte des risques inhérents (par exemple, chute ou collision) qu'aucun soin, instruction ou expertise ne peut éliminer. Si de tels risques surviennent, des blessures graves, voire la mort, pourraient survenir, même en utilisant un équipement de sécurité ou d'autres précautions. **ROULEZ À VOS PROPRES RISQUES ET FAITES PREUVE DE BON SENS.**
- Cette minimoto est conçue et fabriquée uniquement pour un usage tout-terrain uniquement. Les pneus fournis avec cette minimoto sont uniquement destinés à un usage tout-terrain. L'utilisation sur des surfaces pavées peut rendre la minimoto instable. En outre, cette minimoto n'est pas équipée de dispositifs de sécurité tels que des clignotants ou des rétroviseurs latéraux. Ne l'utilisez jamais sur les routes ou les trottoirs. Lorsque vous traversez une route, descendez de votre minimoto et traversez la route en marchant jusqu'à un passage pour piétons.
- Il peut être illégal de conduire cette minimoto sur une rue publique, une route ou une autoroute de votre région. Vérifiez les réglementations locales (état, municipalité, etc.).
- Cette minimoto est conçue pour être conduite par une seule personne. Ne transportez jamais de passager et n'autorisez jamais plus d'une personne à la fois à conduire la minimoto.

- **NE DÉPASSEZ PAS LA LIMITE DE POIDS DE 220 lb. (100 kg).** Le poids du pilote ne signifie pas nécessairement que la taille de la personne est appropriée pour conduire la minimoto ou pour en garder le contrôle. La capacité de poids inclut les effets personnels du conducteur.
- Prenez le temps d'apprendre et de pratiquer. Même si vous êtes expérimenté(e) avec d'autres véhicules à deux roues, entraînez-vous à conduire cette minimoto dans un endroit sûr pour vous familiariser avec son fonctionnement et son maniement et pour vous habituer à sa taille et à son poids. Il est recommandé à tous les conducteurs de suivre un cours certifié, soit approuvé par la Motorcycle Safety Foundation (Fondation pour la sécurité des motocyclistes), soit un cours de formation de l'État local.
- Cette minimoto ne convient pas aux personnes de moins de 16 ans. Même si votre enfant est majeur, il peut ne pas avoir les capacités physiques ou mentales nécessaires pour conduire une minimoto. Il appartient aux parents d'évaluer les capacités de leur enfant avant de l'autoriser à rouler.
- Les pieds du pilote doivent pouvoir toucher complètement le sol lorsqu'il est assis sur la minimoto.
- Le pilote doit pouvoir atteindre et actionner toutes les commandes.
- Il incombe aux parents d'évaluer les capacités, les compétences et la maturité de leur enfant pour qu'il puisse conduire un minimoto.
- Les parents doivent s'assurer que leur enfant connaît et comprend tous les avertissements, les instructions et les consignes de sécurité. Les parents doivent renforcer ces connaissances chaque fois que l'enfant utilise la minimoto.
- Les parents assument la responsabilité d'inspecter et d'entretenir la minimoto avant que l'enfant ne l'utilise.
- Cette minimoto a été fabriquée pour offrir les performances et la durabilité nécessaires à la pratique des loisirs hors route. Des sauts ou d'autres conduites agressives peuvent surcharger et endommager cette minimoto. Le conducteur assume tous les risques liés aux dommages et aux blessures résultant d'une utilisation agressive de la minimoto.

AVERTISSEMENTS CONCERNANT LE FONCTIONNEMENT

AVANT DE ROULER

- Avant chaque utilisation, vérifiez que votre minimoto n'est pas endommagée ou usée (voir le chapitre « **Inspection avant utilisation** »). Réparez la minimoto si nécessaire avant de l'utiliser.
 - Vérifiez que les freins fonctionnent correctement.
 - Vérifiez que l'accélérateur fonctionne correctement et qu'il revient immédiatement en position « OFF » (Arrêt) lorsque vous le relâchez.
 - Vérifiez l'usure et le gonflage des pneus.
 - Inspectez la suspension, le cadre, les éléments de support (siège et repose-pieds) et les jantes de la minimoto pour vérifier qu'ils ne sont pas endommagés. Confirmez que toutes les fixations (écrous, boulons et vis) sont correctement serrées.
- Portez toujours des vêtements de protection :
 - Le casque doit être certifié pour la sécurité, avoir une bonne visibilité et être de la bonne taille pour le conducteur. Recherchez les casques portant une étiquette de certification DOT (Department of Transportation).
 - Les gants doivent être à doigts entiers et très résistants à l'abrasion.
 - Il convient de porter des bottes ou des chaussures d'équitation dotées d'une semelle antidérapante et protégeant les chevilles.
 - La veste et le pantalon doivent être protecteurs, très visibles et durables. La veste doit avoir des manches longues.
- Les clés doivent être utilisées pour empêcher toute utilisation non autorisée. Conservez les clés dans un endroit sûr afin d'éviter que des utilisateurs non formés ou mineurs n'utilisent la minimoto à leur insu.
- Restez vigilant(e), regardez ce que vous faites et faites preuve de bon sens lorsque vous utilisez la minimoto. N'utilisez pas la minimoto si vous êtes sous l'influence de drogues, d'alcool ou de médicaments. Un moment d'inattention lors de l'utilisation de la minimoto peut entraîner des blessures graves et/ou la mort.
- Il est interdit d'utiliser d'autres appareils en conduisant cette minimoto.

- N'utilisez pas de téléphone portable lorsque vous roulez. L'interaction avec votre téléphone réduira considérablement votre contrôle de la minimoto et votre capacité à réagir aux conditions défavorables.
 - Ne portez pas d'oreillettes ou d'écouteurs lorsque vous conduisez. La réduction de l'audition pourrait avoir un impact considérable sur votre capacité à réagir à des situations inconnues.
- Pour garantir un fonctionnement contrôlé et sûr de la minimoto, gardez les deux mains sur le guidon et placez les deux pieds sur le repose-pieds pendant la conduite. La conduite d'une seule main n'offre pas un contrôle suffisant dans toutes les situations et le fait de garder les pieds sur le repose-pieds permet au conducteur d'être prêt à faire face à des situations inattendues.
- N'utilisez jamais cette minimoto à proximité de descentes verticales importantes : falaises, escaliers, plans d'eau, etc. Les chutes libres de ce type peuvent entraîner des blessures graves, voire mortelles.
- Ne tractez jamais et ne vous faites jamais remorqué par un autre véhicule. Cette minimoto n'est pas conçue pour être remorquée ou pour tracter d'autres véhicules.
- Transportez cette minimoto avec un camion, une remorque ou un support d'attelage approuvé par le fabricant. Utilisez une rampe pour charger et décharger votre minimoto et faites monter et descendre votre minimoto sur la rampe. Ne montez ni ne descendez jamais de la minimoto alors qu'elle est sur la rampe. Soyez prudent(e) lors du chargement et du déchargement de la minimoto. Son poids est suffisamment important pour provoquer des blessures graves si elle vous tombe dessus. Sur une remorque ou un camion, la minimoto doit reposer sur ses deux roues et sur sa béquille. Utilisez des attaches pour maintenir la minimoto en place.
- **VOTRE MINIMOTO N'EST PAS UN JOUET.** Ne jouez pas avec d'autres conducteurs pendant les trajets.

CONDUITE

- Roulez de manière défensive. Faites toujours attention à votre environnement de conduite. Méfiez-vous des autres conducteurs et piétons et ne supposez pas qu'ils vous voient. Anticiper les actions des autres conducteurs et piétons n'est pas qu'une simple spéculation : c'est une compétence qui garantit votre sécurité et celle des autres. Prenez en compte vos conditions de conduite et modifiez vos habitudes de conduite en fonction de ces conditions. L'état de la surface influe grandement sur le contrôle que l'on a de sa minimoto. Faites attention aux objets potentiels, aux rochers, aux bâtons qui nécessiteraient une manœuvre pour les éviter.

- La surface de conduite idéale de la minimoto est un sol plat sans débris, tels que des roches ou du gravier. Il est entendu que l'on peut rencontrer de nombreuses conditions de surface au cours de son parcours. Il est important que le pilote s'entraîne avec sa minimoto dans une zone sûre et contrôlée pour comprendre comment sa minimoto se comporte dans toutes les conditions possibles, et ce qu'il doit faire pour contrôler correctement sa minimoto. Les surfaces glissantes, bosselées, inégales ou rugueuses peuvent nuire à la traction et contribuer à d'éventuels accidents. Les surfaces mouillées nécessitent un temps d'arrêt plus long.
- Ne conduisez jamais cette minimoto sur de la glace. Une surface glissante vous empêchera de contrôler correctement la minimoto et peut causer des blessures graves.
- Ne conduisez jamais cette minimoto sur des lacs, des rivières ou des surfaces similaires gelées. La rupture de la glace peut entraîner la mort ou des blessures graves.
- Cette minimoto peut être utilisée par temps de pluie légère sans risque pour la batterie et le système électrique. Le conducteur doit être plus prudent dans ces conditions car la traction se détériore et la distance de freinage augmente. Ne l'utilisez pas en cas de pluie moyenne ou forte.
 - **AVIS :** Cette minimoto ne doit pas être immergée dans l'eau. Ne traversez pas les cours d'eau : flaques, ruisseaux, criques ou rivières, d'une profondeur de 10 po (25,4 cm) ou plus. Le non-respect de cette précaution entraînera des dommages électriques sur votre minimoto.
- Utilisez vos phares (feux de croisement) et votre feu arrière dans toutes les conditions de conduite. L'utilisation des phares et des feux arrière vous rendra plus visible pour les autres conducteurs et les piétons. Il est conseillé d'utiliser les feux de route lorsque vous roulez la nuit et par mauvais temps, à l'exception du brouillard.
- Sachez bien utiliser vos freins. Entraînez-vous à freiner avec votre minimoto pour vous habituer à son comportement dans toutes les conditions et situations. Notez les avertissements supplémentaires suivants :
 - Évitez de freiner brusquement. Un freinage trop rapide peut entraîner une perte de contrôle.
 - Lorsque les freins sont mouillés, la distance de freinage augmente. Soyez extrêmement prudent(e) lorsque vous freinez sur un sol mouillé. Pour sécher les freins, exercez une légère pression sur les leviers de frein pendant la conduite.

- Dans la mesure du possible, réduisez votre vitesse avant d'entrer dans un virage.
- Soyez prudent(e) sur les surfaces à faible adhérence. Les pneus glissent plus facilement et la distance de freinage augmente.
- Évitez de freiner de manière continue. Par exemple, dans les descentes longues ou abruptes, les freins risquent de surchauffer et de perdre de leur efficacité.

STOCKAGE ET STATIONNEMENT

- Si possible, rangez la minimoto dans un espace clos, un garage ou une remise, avec une housse. Si elle est stockée à l'extérieur, recouvrez-la entièrement d'une housse imperméable.
- Ne la stockez pas avec le(s) bloc(s) de batterie inséré(s). Retirez le(s) bloc(s) de batterie après chaque utilisation.
- En cas de stockage prolongé, lavez la minimoto avant de la ranger. Appliquez une huile antirouille sur les parties métalliques exposées et un produit de protection en vinyle / caoutchouc sur le siège et les pneus.
- Garez la minimoto sur une surface ferme et solide. Si cela n'est pas possible, veillez à ce que la minimoto soit orientée de manière à ce qu'elle ne puisse pas tomber.
- Ne garez pas la minimoto à proximité des sorties de bâtiments.

BATTERIES ET CHARGEUR

- Les blocs-batteries et les chargeurs ont des modes d'emploi distincts. Lisez, comprenez parfaitement et suivez tous les avertissements de sécurité, instructions et spécifications qui y sont répertoriés pour charger correctement la batterie.
- Le processus de charge de la batterie ne doit être effectué que par un adulte.
- Rechargez les batteries approuvées uniquement avec les chargeurs approuvés spécifiés par le fabricant. Un chargeur adapté à un type de batterie peut créer un risque d'incendie lorsqu'il est utilisé avec un autre type de batterie. Vous trouverez ci-dessous un tableau des blocs-batteries et des chargeurs approuvés qui peuvent être utilisés de manière interchangeable. Contactez le service clientèle EGO pour connaître les dernières batteries et chargeurs compatibles à utiliser avec ce produit.

BATTERIE	CHARGEUR
BA1400, BA1400-FC, BA2800, BA2800-FC, BA4200, BA4200-FC, BA1400T, BA1400T-FC, BA2242T, BA2242T-FC, BA2800T, BA2800T-FC, BA3360T, BA3360T-FC, BA4200T, BA4200T-FC, BA4480T, BA4480T-FC, BA5600T, BA5600T-FC, BA6720T, BA6720T-FC	CH2100, CH2100-FC, CH3200, CH3200-FC, CH5500, CH5500-FC, CH2800D, CH2800D-FC, CH7000, CH7000-FC

REMARQUE : Pour des performances optimales et une durée de fonctionnement maximale, il est recommandé d'utiliser deux batteries Ah de 5,0 Ah ou plus.

ENTRETIEN ET RÉPARATIONS

AVIS : Il est de votre responsabilité de bien entretenir votre minimoto. Il s'agit d'un processus essentiel pour assurer votre sécurité, des performances maximales, éviter les pannes et protéger votre investissement. Tout problème constaté lors de l'inspection préalable doit être résolu immédiatement. L'entretien indiqué dans ce manuel peut être effectué par le propriétaire. Toute réparation ou tout entretien doit être effectué par un technicien dûment formé et équipé. Ne conduisez pas la minimoto tant qu'elle n'est pas réparée. Effectuez des contrôles périodiques conformément au « **Programme d'entretien recommandé** »

- Avant de procéder au nettoyage ou à l'entretien, garez la minimoto sur une surface plane, éteignez-la et retirez les batteries et les clés afin d'éviter tout démarrage accidentel et tout risque de blessure grave.
- Laissez la minimoto refroidir avant d'effectuer tout entretien après la conduite. Le moteur du moyeu, les étriers et les disques des freins sont des pièces qui deviennent très chaudes. Le contact avec ces pièces peut entraîner des brûlures importantes, et doivent refroidir avant tout contact.
- Faites réviser votre minimoto par un technicien correctement formé et équipé, en utilisant uniquement des pièces de rechange identiques. Cela permettra de garantir la sécurité de la minimoto. L'utilisation d'autres pièces peut créer un danger ou endommager le produit.
- Lors de l'entretien de la lubrification, évitez de mettre de la graisse sur les disques ou les étriers, car cela pourrait entraîner une défaillance des freins et causer des blessures. Si de la graisse se dépose sur les disques, éliminez-la avec un nettoyant pour freins. Si de la graisse entre en contact avec une plaquette de frein, celle-ci doit être remplacée.

- Évitez que les liquides de frein, l'essence, les produits à base de pétrole, les huiles pénétrantes, etc. entrent en contact avec les pièces en plastique. Les produits chimiques peuvent endommager, affaiblir ou détruire le plastique, ce qui peut entraîner des blessures graves.
- Lavez la minimoto uniquement à l'aide d'un tuyau d'arrosage standard sans buse. Soyez prudent(e) lors du lavage ou du rinçage à proximité du siège. Des composants électroniques sensibles se trouvent sous le siège et pourraient être affectés par une infiltration d'eau.
- Conservez ou remplacez les étiquettes de sécurité et d'instructions, si nécessaire. Contactez le service client EGO pour obtenir de l'aide pour l'obtention de nouvelles étiquettes.
- Si des situations se produisent qui ne sont pas couvertes par ce manuel, faire preuve de prudence et de bon sens. Contactez le service client EGO pour obtenir de l'aide.

LE NON-RESPECT DU BON SENS ET DES AVERTISSEMENTS CI-DESSUS AUGMENTE LE RISQUE DE BLESSURES GRAVES. UTILISEZ CE PRODUIT SELON LES PRÉCAUTIONS APPROPRIÉES ET AVEC LA PRUDENCE REQUISE POUR ASSURER UN FONCTIONNEMENT SÉCURISÉ.

CONSERVEZ CE MANUEL AVEC VOTRE MINIMOTO ! Consultez-le fréquemment et utilisez-le pour instruire les autres personnes susceptibles d'utiliser ce produit. Si vous prêtez ce produit à quelqu'un d'autre, montrez-lui où se trouve le manuel pour éviter une mauvaise utilisation du produit et d'éventuelles blessures.

INTRODUCTION

Nous vous félicitons d'avoir choisi la minimoto EGO 56 V Lithium-ion. Elle a été conçue, mise au point et fabriquée pour vous offrir la meilleure fiabilité et les meilleures performances possibles.

Si vous rencontrez un problème auquel vous ne pouvez pas facilement remédier, veuillez contacter le centre de service à la clientèle EGO au 877-346-9876 (877-EGO-ZTRM).

Ce manuel contient des informations importantes sur l'assemblage, le fonctionnement et l'entretien de votre produit en toute sécurité. Lisez-le attentivement avant d'utiliser le produit. Conservez ce manuel à portée de main afin de pouvoir vous y référer à tout moment.

NUMÉRO DE SÉRIE _____ DATE D'ACHAT _____
NOUS VOUS RECOMMANDONS DE NOTER LE NUMÉRO DE SÉRIE ET LA DATE D'ACHAT ET DE LES CONSERVER EN LIEU SÛR AFIN DE POUVOIR LES CONSULTER ULTÉRIEUREMENT.

SPÉCIFICATIONS

⚠ AVERTISSEMENT : Cette minimoto est conçue et fabriquée uniquement pour un usage tout-terrain uniquement. Il peut être illégal de conduire cette minimoto sur une rue publique, une route ou une autoroute de votre région. Vérifiez les réglementations locales (état, municipalité, etc.).

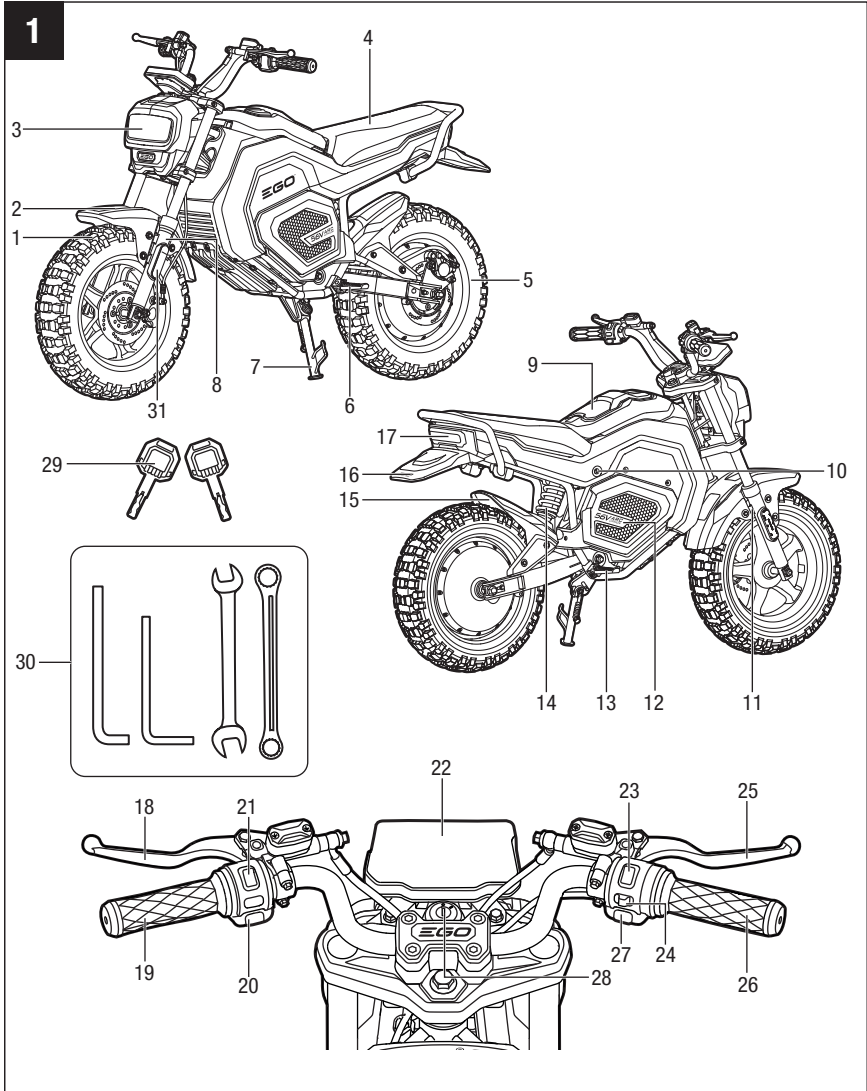
Tension nominale		56V
Dimensions (longueur x largeur x hauteur)		61 po x 39-3/8 po x 28-17/64 po (155 cm x 100 cm x 71,8 cm)
Taille de la jante	Avant	12 po (30,48 cm)
	Arrière	
Taille des pneus	Avant	130/70-12
	Arrière	
Pression des pneus à froid	Avant	32 psi (220,6 kPa)
	Arrière	

Plage de vitesse	Marche avant	ÉCO : Max 15 mph (24 km/h)
		NORMALE : Max 20 mph (32 km/h)
		SPORT : Max 28 mph (44,8 km/h) *REMARQUE : Uniquement disponible lorsque le limiteur de vitesse est désactivé et que la capacité de la batterie est de 10 Ah (par exemple, deux batteries de 5,0 Ah).
	Marche arrière	≤ 2 MPH (3 km/h)
Autonomie [en utilisant deux (2) batteries de 7,5 Ah]		20 miles (32 km) [en mode de conduite ÉCO] *REMARQUE : À titre de référence uniquement, les données varient en fonction des conditions de conduite.
Capacité de pente maximale		13°
Capacité d'assise		1 personne
Capacité de charge		220 lb (100 kg)
Température de fonctionnement recommandée		41 °F à 104 °F (5 °C à 40 °C)
Température de stockage recommandée		-4 °F à 158 °F (-20 °C à 70 °C)
Poids (sans batterie)		148 lb (67 kg)
Indice de protection contre les intrusions		IPX4* (Protection contre les projections d'eau)

***REMARQUE** : L'indice IPX4 est basé sur l'utilisation conjointe de la minimoto et de la batterie en tant que système.





DESCRIPTION

DESCRIPTION DE VOTRE MINIMOTO (Schéma 1)



- | | |
|---|---|
| 1. Assemblage de la roue avant | 17. Feu arrière |
| 2. Garde-boue de la roue avant | 18. Levier de frein arrière (gauche) |
| 3. Phare avant | 19. Poignée gauche du guidon |
| 4. Assemblage du siège | 20. Levier d'avertisseur sonore / de renversement |
| 5. Assemblage de la roue arrière | 21. Bouton feux de croisement / feux de route |
| 6. Repose-pieds gauche | 22. Écran LCD |
| 7. Béquille | 23. Sélecteur du mode de conduite |
| 8. Amortisseur avant gauche | 24. Bouton de commande de l'éclairage |
| 9. Couvercle du compartiment à batterie | 25. Levier de frein avant (droit) |
| 10. Verrouillage de la batterie et du rangement | 26. Accélérateur |
| 11. Amortisseur avant droit | 27. Bouton READY |
| 12. Compartiment de rangement | 28. Verrouillage de l'alimentation |
| 13. Repose-pieds droit | 29. Clés |
| 14. Amortisseur arrière | 30. Boîte à outils |
| 15. Garde-boue de la roue arrière | 31. Réflecteur latéral |
| 16. Garde-boue de feu arrière | |

Boîte à outils

			
Clé hexagonale de 6 mm	Clé hexagonale de 5 mm	Clé de 8 mm / 10 mm	Clé mixte 8 mm / 10 mm

⚠ AVERTISSEMENT : La boîte à outils est uniquement destinée aux déballage et aux assemblage. Apportez immédiatement la minimoto au centre de

service après-vente pour la faire inspecter et réparer si nécessaire. Contactez le service client EGO pour obtenir de l'aide.

⚠ AVERTISSEMENT: Pour utiliser ce produit en toute sécurité, il faut comprendre les informations figurant sur le produit et dans le présent mode d'emploi. Avant d'utiliser ce produit, familiarisez-vous avec toutes les caractéristiques de fonctionnement et les règles de sécurité.

Phare avant / feu arrière

Le phare avant assure l'éclairage et la visibilité dans des conditions de faible luminosité. Le feu arrière permet de voir la minimoto dans l'obscurité. Il s'allume également plus intensément lors du freinage.

Garde-boue de roue avant / garde-boue de roue arrière / garde-boue de feu arrière

Empêche l'eau et les débris de remonter des pneus, de couvrir les phares et les feux arrière et d'abîmer les vêtements.

Réflecteurs latéraux

Augmentent la visibilité de la minimoto dans l'obscurité.

Repose-pieds gauche et droit

Permettent au conducteur de placer ses pieds pour éviter qu'ils ne touchent le sol pendant la conduite. Les deux repose-pieds peuvent être repliés lorsque la minimoto n'est pas utilisée.

Béquille

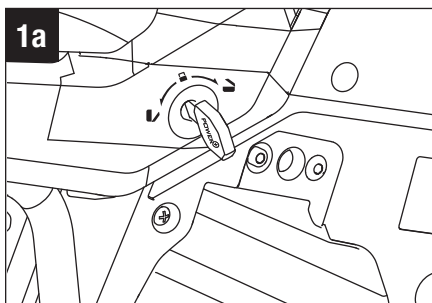
Maintient la moto à la verticale lorsqu'elle n'est pas utilisée. Lorsque la béquille est abaissée, elle bloque également le système d'entraînement afin d'éviter tout démarrage accidentel de la minimoto.


Amortisseur avant gauche / Amortisseur avant droit / Amortisseur arrière

Permettent aux roues d'absorber les chocs, ce qui contribue à maintenir les pneus en contact avec le sol, à améliorer le contrôle du pilote et à réduire sa fatigue.

Verrouillage de la batterie et du compartiment de rangement (Schéma 1a)

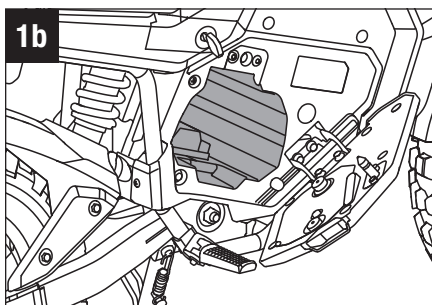
Verrouillez les compartiments à batterie et de rangement. Insérez l'une des clés et tournez la clé vers  pour déverrouiller le compartiment à batterie. Tournez la clé vers , pour déverrouiller le compartiment de rangement.



REMARQUE : Tournez toujours la clé vers  avant de fermer le compartiment de rangement.

Compartiment de rangement (Schéma 1b)

Permet de ranger la batterie de recharge ou d'autres objets.




Levier de frein arrière (gauche) / Levier de frein avant (droite)

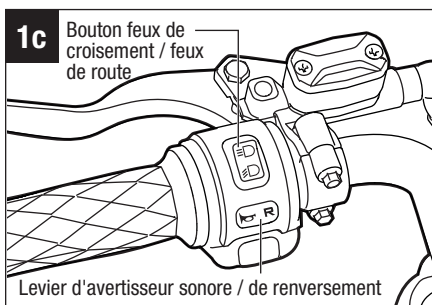
Un levier de frein se trouve à chaque extrémité du guidon. Le levier de droite sert à actionner le frein avant, et celui de gauche sert à actionner le frein arrière.

Guidon

Le guidon est utilisé pour diriger et contrôler la minimoto.

Klaxon / levier de marche arrière (Schéma 1c)

Appuyez sur le côté correspondant de l'interrupteur et maintenez-le enfoncé pour faire reculer la minimoto **R** ou pour activer le klaxon  afin de donner un avertissement.



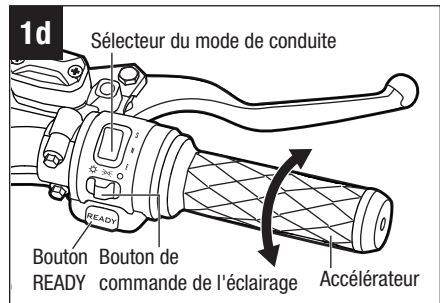
Bouton de feux de croisement / feux de route (Schéma 1c)

Appuyez sur le bouton pour faire passer le phare entre les feux de croisement $\equiv D$ et les feux de route $\equiv D$.

REMARQUE : Les feux de croisement sont de faible intensité et éclairent une courte distance devant la minimoto, tandis que les feux de route sont de forte intensité et éclairent une plus grande distance. N'utilisez pas les feux de route en cas de brouillard.

Sélecteur du mode de conduite (Schéma 1d)

Cette minimoto dispose de trois modes de vitesse. « S » pour le mode SPORT, « N » pour le mode NORMAL et « E » pour le mode ÉCO. Chaque mode de conduite définit la vitesse de conduite maximale. Choisissez un mode de conduite approprié en basculant le sélecteur en fonction des marques qui y figurent.



Bouton de commande de l'éclairage (Schéma 1d)

Contrôle le système d'éclairage de la minimoto. Faites glisser l'interrupteur sur le réglage souhaité : tous les feux sont allumés \odot / seul le feu de position est allumé $\Rightarrow \odot \Leftarrow$ / tous les feux sont éteints \circ .

Accélérateur (Schéma 1d)

Contrôleur de vitesse situé à l'extrémité droite du guidon. Lorsque vous tournez l'accélérateur, le régime du moteur augmente, et lorsque vous la ramenez en arrière, le régime du moteur diminue. Il vous permet d'ajuster la vitesse dans la plage du mode de conduite sélectionné.

⚠ DANGER: Faites attention à la façon dont vous utilisez l'accélérateur. En tant que débutant, ne le tournez pas trop fort. Commencez lentement jusqu'à ce que vous compreniez parfaitement le fonctionnement de l'accélérateur. Entraînez-vous dans un espace ouvert et sécurisé pour vous habituer à l'accélération de cette minimoto.

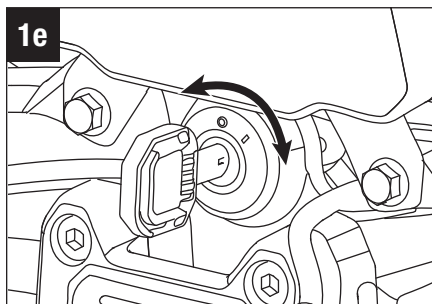
⚠ DANGER: Soyez prudent(e) lorsque vous démarrez ou accélérez. Une accélération soudaine peut faire patiner les roues et faire glisser la minimoto sur le côté.

Bouton READY (Schéma 1d)

Appuyez sur ce bouton pour activer le système de contrôle et préparer la minimoto à démarrer.

Verrouillage de l'alimentation (Schéma 1e)

Permet d'allumer (I) et de couper (O) l'alimentation de la minimoto. Insérez l'une des clés et tournez-la en fonction des repères situés à côté de la fente de la serrure pour allumer ou éteindre la minimoto.



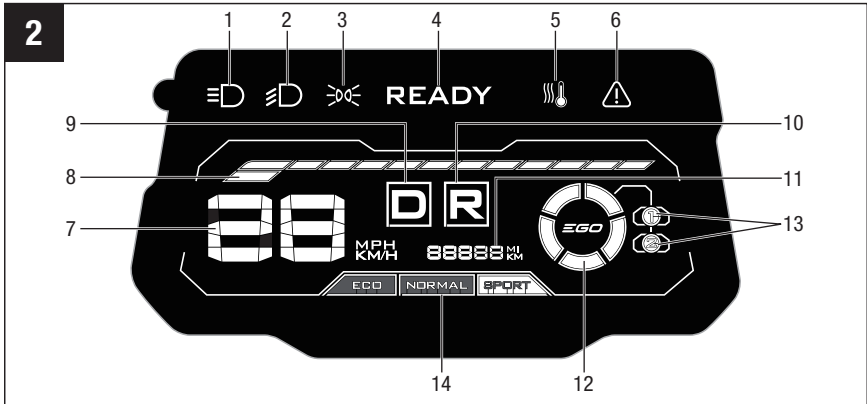
Boîte à outils

Ensemble d'outils pour l'assemblage de la minimoto et déballage.

Clés

Deux clés identiques qui peuvent verrouiller et déverrouiller le verrou d'alimentation et le verrou de batterie et de stockage.

DESCRIPTION DES ICONES ET DES INDICATEURS SUR L'ÉCRAN LCD (Schéma 2)



- | | |
|------------------------------------|----------------------------------|
| 1. Icône des feux de route | 8. Indicateur de charge |
| 2. Icône des feux de croisement | 9. Indicateur de conduite |
| 3. Icône des feux de circulation | 10. Indicateur de marche arrière |
| 4. Icône READY | 11. Compteur kilométrique |
| 5. Indicateur de haute température | 12. Cercle de jauge de carburant |
| 6. Indicateur de défaut | 13. Icône de la batterie |
| 7. Indicateur de vitesse | 14. Modes de conduite |

Icône des feux de route

Indique que le phare est réglé sur les feux de route.

Icône des feux de croisement

Indique que le phare est réglé sur les feux de croisement.

Icône des feux de position

Indique que les feux de position sont activés.

Icône READY

Indique l'état du système d'entraînement. Le clignotement indique que le système d'entraînement doit être engagé. L'icône fixe indique que le système d'entraînement est engagé.

Indicateur clignotant de température élevée

Indique qu'une surchauffe de la batterie ou du moteur de la minimoto a été détectée.

Indicateur de défaut clignotant

Indique un défaut qui nécessite une intervention immédiate.

Indicateur de vitesse

Indique la vitesse actuelle de la minimoto.

Indicateur de charge

Indique la charge appliquée au moteur.

REMARQUE : Les charges plus lourdes réduisent l'autonomie.

Indicateur de marche avant

Indique que le système d'entraînement est réglé pour un mouvement vers l'avant.

Indicateur de marche arrière

Indique que le système d'entraînement est réglé pour la marche arrière.

Compteur kilométrique

Indique la distance totale parcourue.

Cercle de jauge de carburant

Indique la capacité de charge moyenne de la batterie insérée.

Icône de batterie

Indique les ports de batterie en cours d'utilisation.

Modes de conduite

Indique le mode de conduite sélectionné.

REMARQUE : Le mode SPORT ne peut être activé que lorsque le limiteur de vitesse est désactivé et avec une batterie d'une capacité de 10 Ah (par exemple, deux batteries de 5,0 Ah ou des batteries de 2,5 Ah + 7,5 Ah) ou plus.

ASSEMBLAGE

⚠ AVERTISSEMENT: Si des pièces sont endommagées ou manquantes, n'utilisez pas cette minimoto tant que les pièces n'ont pas été remplacées. L'utilisation de cette minimoto avec des pièces endommagées ou manquantes peut entraîner des blessures graves.

⚠ AVERTISSEMENT: N'essayez pas de modifier ce produit ou de créer des accessoires dont l'utilisation n'est pas recommandée avec ce produit. Toute altération ou modification de ce type constitue une utilisation inadaptée et peut entraîner des conditions dangereuses susceptibles de provoquer des blessures graves.

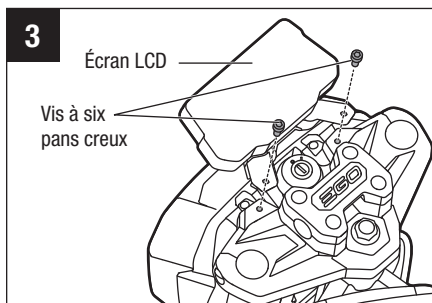
⚠ AVERTISSEMENT: Pour éviter tout démarrage accidentel susceptible de provoquer des blessures graves, retirez toujours la batterie et les clés du produit lorsque vous assemblez des pièces, effectuez des travaux d'entretien ou de nettoyage, ou lorsque le produit n'est pas utilisé.

LISTE DU CONTENU DE L'EMBALLAGE

NOM DE LA PIÈCE	QUANTITÉ
Minimoto	1
Clé	2
Boîte à outils	1
Mode d'emploi	1

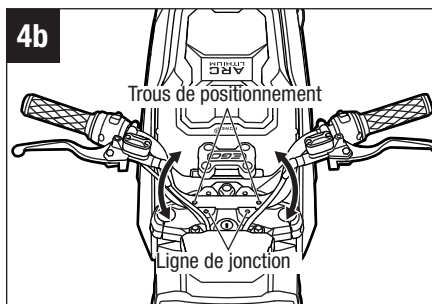
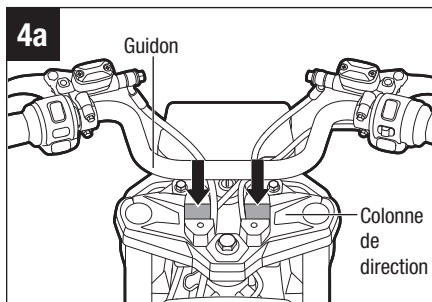
FIXATION DE L'ÉCRAN LCD SUR LA COLONNE DE DIRECTION (Schéma 3)

- Assurez-vous que les batteries ont été retirées avant de procéder à l'assemblage de l'écran LCD.
- Retirez l'écran LCD de l'emballage et dévissez les deux vis à six pans creux M6 de la colonne de direction à l'aide de la clé hexagonale de 5 mm (incluse dans la boîte à outils).
- Alignez les trous de montage de l'écran LCD avec les trous des boulons sur la colonne de direction. Utilisez les deux boulons et la clé hexagonale pour fixer l'écran. Le couple de serrage requis est de 6–7 pi-lb (8–10 N m). Une clé dynamométrique est requise (non incluse).

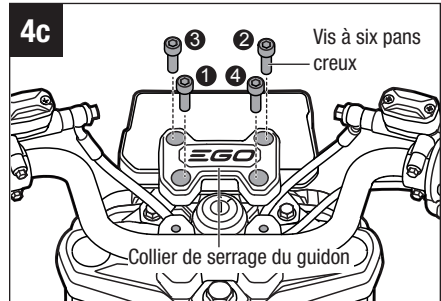


FIXATION DE L'ASSEMBLAGE DU GUIDON SUR LA COLONNE DE DIRECTION

- Assurez-vous que les batteries ont été retirées avant de procéder à l'assemblage du guidon.
- Alignez et insérez la partie moletée (texturée) du guidon dans la rainure de la tête de direction, comme illustré sur le schéma 4a.
- Alignez les trous de positionnement des deux côtés de l'assemblage du guidon avec la ligne de jonction entre le collier de serrage du guidon et l'assemblage du guidon (Schéma 4b).



- d. Installez le collier de serrage du guidon à l'aide des quatre vis à six pans creux M8 à la main.
REMARQUE : Le logo « EGO » sur le collier de serrage du guidon ne peut pas être à l'envers, sinon il ne s'adaptera pas.



- e. Tournez le guidon pour régler la hauteur jusqu'à ce qu'il soit dans une position où le pilote peut reposer ses mains sur les poignées du guidon, les épaules détendues. Utilisez la clé hexagonale de 6 mm (incluse dans la boîte à outils) pour serrer les boulons à la main jusqu'à ce qu'ils soient bien en place dans la contre-planche. À l'aide de la clé dynamométrique (non incluse), serrez les quatre boulons à un couple de 15 à 16 pi-lb (20 à 22 N m) dans l'ordre diagonal indiqué sur la figure 4c.
- f. Donnez une bonne secousse au guidon d'avant en arrière pour vérifier qu'il est correctement fixé. Un guidon mal fixé peut provoquer des blessures graves !

FONCTIONNEMENT

⚠ AVERTISSEMENT: Ne laissez pas la familiarité avec ce produit vous rendre négligent(e). N'oubliez pas qu'une fraction de seconde d'inattention suffit pour infliger des blessures graves, voire mortelles.

⚠ AVERTISSEMENT: Portez un casque, des lunettes, des gants et des bottes certifiés DOT (Department of Transportation) pour réduire le risque de blessures potentielles.

⚠ AVERTISSEMENT: N'utilisez pas d'accessoires non recommandés par le fabricant de ce produit. L'utilisation d'accessoires non recommandés peut entraîner des blessures graves, voire mortelles.

⚠ AVERTISSEMENT: Pour éviter tout démarrage accidentel, retirez toujours les batteries et les clés de la minimoto avant de la nettoyer, de la garer, de l'entretenir et de la ranger.

Avant chaque utilisation, effectuez une inspection préalable. Voir le chapitre « **Inspection avant la conduite** ».

APPLICATIONS

Vous pouvez utiliser ce produit pour les usages suivants :

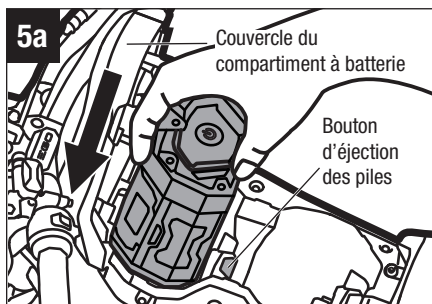
- Conduite tout-terrain de loisir.

INSTALLATION / RETRAIT DE LA BATTERIE

REMARQUE : Le cercle de jauge de carburant sur l'écran LCD indique le niveau de charge de la batterie (Schéma 2). Le cercle clignote lorsque la charge de la batterie est presque épuisée. Chargez complètement votre (vos) batterie(s) avant chaque utilisation.

Pour installer la batterie (Schéma 5a)

- a. Insérez la clé dans le verrou du compartiment à batterie et tournez-la dans le sens des aiguilles d'une montre pour déverrouiller le compartiment à batterie.

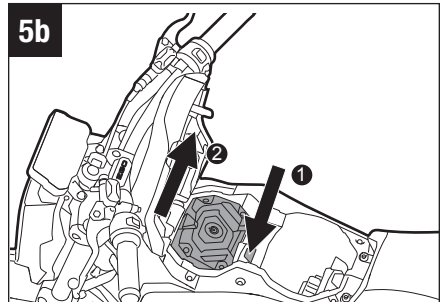


- b. Tenez le guidon droit et ouvrez le couvercle du compartiment à batterie.
- c. Alignez les nervures de la batterie sur les fentes de montage de l'un des ports de batterie de la minimoto.
- d. Faites glisser la batterie dans le port de la batterie et appuyez dessus jusqu'à ce que le bouton d'ouverture de la batterie se soulève et que le bloc-batterie s'enclenche en position.
- e. Répétez le processus pour installer la deuxième batterie.
- f. Appuyez sur le couvercle du compartiment à batterie pour le fermer.
- g. Tournez la clé dans le sens inverse des aiguilles d'une montre pour verrouiller le compartiment à batterie et retirer les clés.

REMARQUE : Si une seule batterie est installée, seul le mode de conduite ÉCO sera disponible.

Pour retirer la batterie (Schéma 5b)

⚠ AVERTISSEMENT : Soyez toujours conscient de l'emplacement de vos pieds et des enfants ou des animaux qui vous entourent lorsque vous retirez la(les) batterie(s). La batterie est lourde et des blessures graves pourraient survenir si la batterie tombe.



- a. Insérez la clé dans le verrou du compartiment à batterie et tournez-la dans le sens des aiguilles d'une montre pour déverrouiller le compartiment à batterie.
- b. Ouvrez le couvercle du compartiment à batterie.
- c. Appuyez sur le bouton de déverrouillage de la batterie et la batterie se dégagera du loquet et se soulèvera légèrement.

⚠ AVERTISSEMENT : Afin de protéger vos doigts contre l'éjection de la batterie, éloignez vos doigts de la batterie lorsque vous appuyez sur le bouton de déverrouillage de la batterie.

- d. Saisissez la batterie et retirez-la de son port.
- e. Appuyez sur le couvercle du compartiment à batterie pour le fermer.
- f. Tournez la clé dans le sens inverse des aiguilles d'une montre pour verrouiller le compartiment à batterie et retirer les clés.

LIMITEUR DE VITESSE

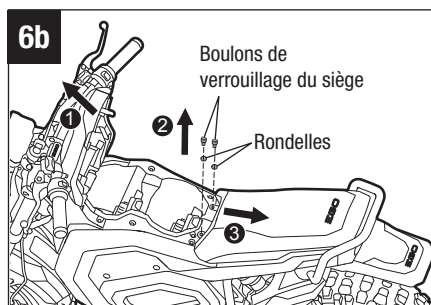
Le limiteur de vitesse est conçu pour limiter la vitesse de conduite de la minimoto afin de réduire le risque et la gravité des blessures pour les conducteurs inexpérimentés.

Lorsque le limiteur de vitesse est activé, le mode SPORT n'est pas disponible. Si le pilote tente d'activer le mode SPORT, la case autour de l'icône « SPORT » sur l'écran LCD clignotera trois fois puis s'éteindra (Schéma 6a).

REMARQUE : Le limiteur de vitesse est réglé par défaut sur ON (MARCHE) en usine.

Pour activer ou désactiver le limiteur de vitesse :

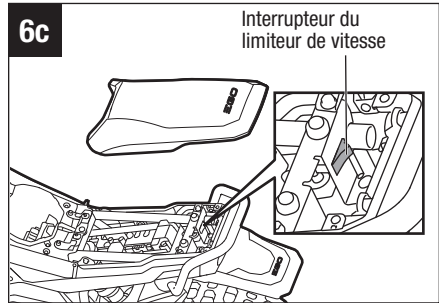
- a. Insérez la clé dans le verrou du compartiment à batterie et tournez-la dans le sens des aiguilles d'une montre pour déverrouiller le compartiment à batterie.
- b. Tenez le guidon droit et ouvrez le couvercle du compartiment à batterie (Schéma 6b).
- c. Desserrez les deux boulons et rondelles de verrouillage du siège à six pans creux M6 avec la clé hexagonale de 5 mm (incluse dans la boîte à outils). Poussez ensuite l'ensemble du siège vers l'arrière de la minimoto pour le retirer.



- d. Mettez l'interrupteur du limiteur de vitesse sur ON (I) ou sur OFF (O) (Schéma 6c) et réinstallez l'ensemble du siège en suivant les étapes ci-dessus dans l'ordre inverse.

REMARQUE : Serrez les boulons à un couple de 6 à 7 pi-lb (8 à 10 N·m) pour éviter qu'ils ne se desserrent.

⚠ AVERTISSEMENT : Gardez toujours l'interrupteur du limiteur de vitesse sur ON (ACTIVÉ) lorsqu'un conducteur inexpérimenté conduit la minimoto.



INSPECTION AVANT LA CONDUITE

Vérifications avant de rouler

Il est important de vérifier l'état de la minimoto avant chaque utilisation. La liste de contrôle avant la conduite vous aidera à réduire les risques de blessures ou de problèmes causés par des problèmes mécaniques et à garantir que votre minimoto est en bon état de fonctionnement avant chaque sortie.

Liste de contrôle avant la conduite

Élément	Contrôles	Rechercher	Vérifier	
Tourner autour de la minimoto				
Visuel	Condition	Dommages évidents, pièces manquantes, fuite		
Assemblage des roues				
Pneus	État des pneus	Profondeur de la tendance, usure, intempéries, points plats, objets incrustés	Avant	Arrière
	Pression	Vérifier à température ambiante, ajuster en fonction de la charge	Avant	Arrière

Roues	État des jantes	Fissures, bosses, asymétries	Avant	Arrière
	État des roulements	Absence de jeu (voir Inspection des roues)	Avant	Arrière
	État des joints	Fissures, coupures ou déchirures, excès de graisse à l'extérieur	Avant	Arrière
Freins	Fonction de freinage	Chaque frein, pris isolément, empêche la minimoto de rouler	Avant	Arrière
	État des freins	Usure, dommages et contamination	Avant	Arrière
Cadre et suspension				
Cadre	Condition	Fissures au niveau des goussets et des soudures. Vérifier que la peinture ne se décolle pas.		
	Roulement de la colonne de direction	Rotation régulière, vérification de l'absence de jeu (voir l'inspection des roulements de direction)		
Suspension	Fourches avant	Course régulière, amortissement égal	Gauche	Droite
	Amortisseur arrière	Course régulière, la transmission s'opère librement		
Béquille	Condition	Fissures, déformation		
	Fonction	Lorsque le système d'entraînement est engagé, il est bloqué		
Repose-pieds	Condition	Fissures, déformation	Gauche	Droite
	Rétention	Clip de retenue présent	Gauche	Droite
Fixations	Fileté	Boulons et écrous serrés ou manquants		
	Clips	Cassures, manques		

Contrôles				
Leviers	État du levier	Cassures, pliures, fissures, montage solide	Gauche	Droite
	Pivot	Lubrifié	Gauche	Droite
	Fonction	Bouge librement	Gauche	Droite
Accélérateur	Fonction	Se déplace en douceur, revient immédiatement		
Tuyaux	État du tuyau	Coupures, fissures, fuites, renflements, frottements, détérioration	Gauche	Droite
Phares				
Phare avant	Condition	Fissures, montage sécurisé, propre		
	Visueur	Centré et en hauteur		
	Fonction	Les feux de route et de croisement fonctionnent		
Feu arrière / feu de freinage	Condition	Fissures, montage sécurisé, propre		
	Fonction	Les feux de position s'allument lorsqu'ils sont allumés. Le témoin de freinage s'allume lorsque l'un des deux leviers de frein est actionné.		
Réflecteurs	Condition	Fissures, cassures, montage solide	Gauche	Droite
Liquide de frein				
Réservoir du liquide de frein	Remplissage	Plus d'un quart du réservoir	Gauche	Droite

Détails du contrôle préalable à la conduite

Composant	Action
Inspection visuelle	<ul style="list-style-type: none"> ■ Inspectez visuellement la minimoto pour vérifier qu'il n'y a pas de pièces manquantes ou endommagées. Inspectez le sol sous le câble de frein pour vérifier qu'il n'y a pas de fuite de liquide.
Lumières et réflecteurs	<ul style="list-style-type: none"> ■ Vérifiez que toutes les lumières fonctionnent. Les feux de croisement et les feux de route s'allument. Le feu arrière s'allume lorsqu'il est mis en marche et son intensité augmente lorsque l'un des deux freins est actionné. ■ Vérifiez que la lentille et les réflecteurs ne sont pas fissurés. Si c'est le cas, faites réparer les éléments endommagés. Contactez le service client EGO pour obtenir de l'aide. ■ Nettoyez tous les feux et réflecteurs.
Pneus	<ul style="list-style-type: none"> ■ Utilisez un manomètre (non inclus) pour vérifier la pression des pneus. Remplissez jusqu'à 32 psi (220,6 kPa), si nécessaire. ■ Inspectez les pneus pour vérifier qu'ils ne sont pas usés ou endommagés : coupures, perforations ou fissures dues aux intempéries. Lorsque le pneu est usé et que la profondeur de la bande de roulement est inférieure à 1/32 po (0,8 mm) (voir le schéma 7a), contactez le service à la clientèle EGO pour le faire remplacer.
Roues	<ul style="list-style-type: none"> ■ Assurez-vous que la roue est fixée et équilibrée. Saisissez un pneu aux positions approximatives de 3 et 9 heures et appliquez un mouvement de torsion à la roue (schéma Fig. 7b). Il ne doit pas y avoir aucun jeu ou de glissement lorsque vous tordez la roue. Pour la roue avant, une deuxième personne doit tenir le guidon fermement pendant que l'autre personne vérifie le jeu de la roue de la manière décrite ci-dessus. Si vous constatez un mouvement, faites immédiatement réparer la minimoto. Contactez le service client EGO pour obtenir de l'aide. <p>Après l'inspection préalable, testez votre minimoto dans un endroit ouvert et sûr afin d'évaluer le patinage ou les vibrations des roues. Si un voile ou des vibrations excessives sont détectés, faites réparer la minimoto. Contactez le service client EGO pour obtenir de l'aide.</p>

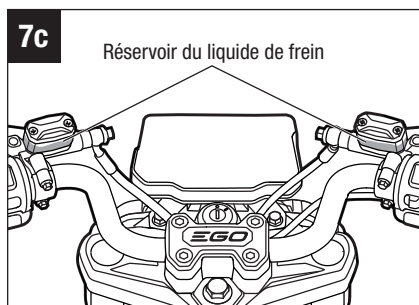
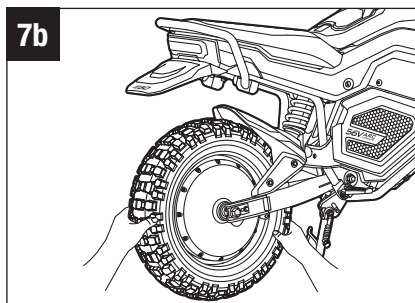
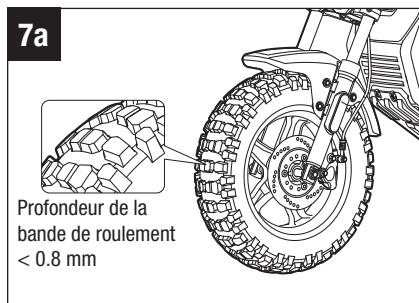
Composant	Action
Rayons et jantes	<ul style="list-style-type: none">■ Examinez l'ensemble de la jante à la recherche de fissures, de bosses et d'autres dommages. Si des dommages sont constatés, faites remplacer les jantes avant la prochaine utilisation de la minimoto.
Écrous et boulons	<ul style="list-style-type: none">■ Utilisez les clés fournies pour vous assurer que toutes les fixations non critiques sont bien serrées :<ul style="list-style-type: none">- Boulons de fixation du boîtier de phare.- Vis de montage du boîtier de feu arrière.- Boulons de fixation du boîtier de l'écran LCD.- Boulons de fixation de la bavette.■ Si d'autres fixations s'avèrent desserrées, contactez le service à la clientèle EGO pour l'entretien.
Guidon	<ul style="list-style-type: none">■ Vérifiez que le guidon est fermement fixé.
Accélérateur	<ul style="list-style-type: none">■ Vérifiez le mouvement de l'accélérateur : tournez complètement l'accélérateur vers l'arrière et relâchez-le. Le mouvement de l'accélérateur doit être régulier et revenir immédiatement à la position de départ. Si l'accélérateur ne répond pas immédiatement, contactez le service à la clientèle EGO pour l'entretien.
Leviers de frein	<ul style="list-style-type: none">■ Vérifiez que les deux leviers de frein sont montés de manière rigide sur le guidon et qu'il n'y a pas de signe de desserrement des fixations. Si un desserrement est constaté, faites réparer immédiatement les leviers de frein. Contactez le service client EGO pour obtenir de l'aide.■ Vérifiez que les leviers se rétractent et se relâchent librement et immédiatement sans hésitation. En cas de problème avec le mouvement du levier, faites immédiatement réviser la minimoto. Contactez le service client EGO pour obtenir de l'aide.

Composant	Action
Plaquettes et disques de freins	<ul style="list-style-type: none"> ■ Vérifiez que la saisie du levier de frein engage l'étrier dans le disque de frein avant que le levier n'atteigne les $\frac{3}{4}$ de sa course. Répétez cette opération pour chaque levier de frein. Si le fait d'appuyer sur le levier ne permet pas à l'étrier d'entrer en contact avec le disque, faites réparer immédiatement la minimoto. Contactez le service client EGO pour obtenir de l'aide. ■ Enjambez la minimoto et soutenez-la en position verticale. Vérifiez le niveau du liquide de frein dans le réservoir (Schéma 7c). Si le réservoir de liquide est aux $\frac{3}{4}$ vide, faites réparer la minimoto. Contactez le service client EGO pour obtenir de l'aide. ■ Inspectez les conduites de frein pour vérifier qu'il n'y a pas de fuite de liquide. Si c'est le cas, faites réparer la minimoto. Contactez le service client EGO pour obtenir de l'aide. ■ Inspectez les plaquettes de frein pour vérifier qu'elles ne sont pas usées, endommagées ou contaminées. Les plaquettes de frein de moins de 1/16 po (1,5 mm) d'épaisseur doivent être remplacées. Vérifiez qu'il n'y a pas de fissures, de vitrage ou d'usure inégale des plaquettes de frein. En cas d'usure, de dommage ou de contamination, faites réviser la minimoto. Contactez le service client EGO pour obtenir de l'aide. ■ Inspectez les disques de frein pour déceler toute usure, tout dommage ou toute contamination. Si une déformation, une fissuration ou une usure excessive est détectée, faites réparer la minimoto. Contactez le service client EGO pour obtenir de l'aide. Si une contamination est détectée, nettoyez les disques à l'aide d'un nettoyeur pour freins. <p>Après l'inspection préalable, testez vos freins en conduisant la minimoto dans un endroit ouvert et sûr afin d'évaluer les performances de freinage. Recherchez les bruits anormaux et les vibrations. Si c'est le cas, faites réviser la minimoto. Contactez le service client EGO pour obtenir de l'aide.</p> <p>REMARQUE : Un bruit de grincement entendu lors du serrage des freins pendant les tests ou lors de trajets normaux indique que les plaquettes de frein et/ou les disques de frein ont besoin d'être révisés.</p>

Composant	Action
Structure	<ul style="list-style-type: none"> ■ Inspectez le cadre et la fourche avant à la recherche de fissures dans les soudures et/ou de déformation de la structure. ■ Inspectez la fourche avant. Recherchez la présence d'huile sur le tube extérieur de la suspension. Le cas échéant, ne conduisez pas la minimoto. Faites-la réparer immédiatement. Contactez le service client EGO pour obtenir de l'aide. ■ Inspectez l'amortisseur arrière. Recherchez la présence d'huile sur le tube extérieur de l'amortisseur. Vérifiez si l'amortisseur n'est pas déconnecté ou s'il dysfonctionne. Si de l'huile est détectée, l'amortisseur est déconnecté du cadre ou présente un dysfonctionnement, faites réparer la minimoto. Contactez le service client EGO pour obtenir de l'aide. ■ Nettoyez les tubes de fourche pour éliminer les insectes, le goudron ou toute accumulation qui pourrait entraîner une usure des joints et des fuites. ■ Inspectez la surface extérieure de la fourche intérieure pour vérifier si elle n'est pas rayée ou endommagée par des objets étrangers. Si des rayures et/ou des dommages sont constatés, faites réparer votre minimoto. Contactez le service client EGO pour obtenir de l'aide. ■ Testez votre suspension. Enjambez la minimoto et mettez-la en position verticale. Pour la suspension avant, serrez le frein avant et appuyez fortement sur le guidon à plusieurs reprises. La suspension doit fonctionner en douceur et silencieusement. ■ Faites régler l'affaissement avant et arrière de la minimoto en fonction du poids du pilote. Cette opération doit être effectuée par un technicien certifié. Contactez le service client EGO pour obtenir de l'aide. <p>Après l'inspection préalable, faites rouler votre minimoto dans un endroit ouvert et sûr pour évaluer tout problème d'alignement. Si le problème est détecté, faites réviser la minimoto. Contactez le service client EGO pour obtenir de l'aide.</p>

Composant	Action
Batteries	Assurez-vous que le niveau de charge est suffisant pour terminer le trajet.

⚠ ATTENTION : En cas de problème avec l'un des éléments énumérés ci-dessus, contactez le service client EGO pour le réglage, la réparation et le remplacement.



DÉMARRAGE / ARRÊT DE LA MINIMOTO

AVERTISSEMENT :

- La béquille doit être rétractée avant de rouler pour éviter que la minimoto ne se retourne dans les virages ou ne rencontre des obstacles susceptibles de blesser le conducteur.
- Vérifiez si les systèmes de freinage avant et arrière fonctionnent correctement. En cas de problème, contactez immédiatement le service client EGO pour toute réparation.
- Ne suspendez pas d'objets au guidon lorsque vous conduisez. Cela peut affecter le contrôle de la minimoto et entraîner des blessures.
- Soyez toujours conscient(e) de votre environnement et ne vous laissez pas emporter en vous concentrant sur les fonctions au lieu de regarder devant vous.

L'aspect le plus fondamental de l'apprentissage de la conduite d'une minimoto consiste à comprendre les principales commandes et caractéristiques de la minimoto. Familiarisez-vous avec les commandes de la minimoto dans la section « **DESCRIPTION DE VOTRE MINIMOTO** » avant de démarrer la minimoto. Apprenez à localiser et à utiliser les commandes sans les regarder. Vous n'aurez pas le temps de chercher les commandes en roulant.

Pour démarrer la minimoto

- a. Installez les batteries.
- b. Asseyez-vous sur la minimoto.
- c. Insérez la clé dans le contact et tournez-la dans le sens des aiguilles d'une montre en passant de la position OFF « 0 » à la position ON « I ». L'écran LCD s'allume.
- d. Tenez le guidon à deux mains, redressez la minimoto et pliez / rétractez la béquille. REMARQUE : La boîte entourant l'icône « D » apparaît et l'icône « READY » commencera à clignoter, indiquant que le système d'entraînement doit être engagé.
- e. Sélectionnez le mode de conduite : ÉCO, NORMAL ou SPORT. Référez-vous au chapitre « LIMITEUR DE VITESSE » pour activer le mode SPORT.
- f. Dépliez les repose-pieds avec vos pieds. En gardant un pied au sol et le pied opposé sur le repose-pied pour maintenir l'équilibre, allumez les phares (feux de route ou feux de croisement en fonction de l'éclairage ambiant).

- g. Appuyez sur le bouton « READY » pour engager le système d'entraînement. L'icône « READY » s'affiche désormais en continu.

REMARQUE : Si le pilote ne démarre pas la minimoto dans la minute qui suit l'appui sur le bouton READY, l'icône « READY » s'éteint et la minimoto revient à l'état dans lequel elle se trouvait à l'étape f.

- h. Tournez doucement l'accélérateur pour faire avancer la minimoto. Le compteur de vitesse affiche la vitesse de conduite actuelle. Lorsque la vitesse est inférieure à 2 MPH (3 km/h), l'icône READY reste allumée. Dès que la vitesse atteint ou dépasse 2 MPH (3 km/h), l'icône READY s'éteint.

REMARQUE : Pour faire fonctionner la minimoto en marche arrière, suivez les étapes a à g. Appuyez ensuite sur le bouton « R » de l'interrupteur Klaxon / Marche arrière et maintenez-le enfoncé. L'icône « D » disparaît et une icône « R » fixe s'affiche à l'écran et la minimoto commencera à reculer.

⚠ AVERTISSEMENT : Pour éviter les blessures, soyez toujours conscient(e) de votre environnement lorsque vous faites marche arrière avec la minimoto.

⚠ DANGER : Une rotation rapide de l'accélérateur provoque une accélération instantanée : la minimoto peut se déplacer brusquement et vous faire perdre le contrôle ou tomber de la minimoto. Le non-respect de cette instruction peut entraîner des blessures graves !

⚠ AVERTISSEMENT : Lorsque vous devez freiner ou changer de mode de conduite, relâchez toujours l'accélérateur avant d'effectuer d'autres opérations.

REMARQUE : Veillez à utiliser les deux freins pour une performance optimale.

Pour arrêter la minimoto

Relâchez l'accélérateur. Serrez les freins à main avant et arrière en même temps.

Les leviers de frein fonctionnent également comme un coupe-circuit du moteur, coupant l'alimentation du moteur à chaque fois qu'ils sont enclenchés. En cas d'urgence, lorsque l'accélérateur est bloqué en position marche, pour arrêter la minimoto en toute sécurité :

- Appuyez sur les deux leviers de frein pour obtenir un arrêt contrôlé.
- Tout en serrant l'un des leviers de frein d'une main, utilisez l'autre main pour saisir la clé afin d'éteindre la minimoto.
- Descendez de la minimoto. Ne l'utilisez pas tant qu'elle n'a pas été réparée. Contactez immédiatement le service client EGO.

Précautions après la conduite

- La minimoto peut être soutenue par la béquille sur un sol solide et plat.
- Après l'utilisation, pliez les repose-pieds avec votre pied, abaissez la béquille, garez-la, coupez l'alimentation et retirez la clé.
- Vérifiez si la batterie est suffisamment chargée pour votre prochaine sortie.

ENTRETIEN

⚠ AVERTISSEMENT : Avant toute opération d'entretien, de nettoyage ou de maintenance, ou lorsque le produit n'est pas utilisé, gardez la minimoto sur une surface plane, éteignez-la et retirez les batteries et les clés afin d'éviter tout démarrage accidentel et toute blessure grave.

⚠ AVERTISSEMENT : Faites réviser votre minimoto par un technicien correctement formé et équipé, en utilisant uniquement des pièces de rechange identiques. Cela permettra de garantir la sécurité de la minimoto. L'utilisation d'autres pièces peut créer un danger ou endommager le produit.

REMARQUE : Si vous êtes un technicien qualifié disposant de l'équipement approprié, vous pouvez contacter le service à la clientèle EGO pour obtenir une copie des instructions concernant les réparations.

L'entretien et les réparations sont impératifs pour garantir un fonctionnement sûr, des performances et pour éviter les pannes pendant la conduite. Il est de la responsabilité du propriétaire d'entretenir et de faire réparer la minimoto selon les besoins. Les inspections préalables à la conduite et l'entretien de routine sont nécessaires et contribuent à la sécurité de la conduite.

CALENDRIER D'ENTRETIEN RECOMMANDÉ

Outre les inspections préalables à la conduite, un entretien et des réparations réguliers sont également nécessaires. Le premier entretien doit être effectué au cours du deuxième mois suivant l'achat. Par la suite, il est recommandé d'effectuer une inspection et un entretien complets auprès du service à la clientèle EGO tous les trois mois afin d'évaluer les performances de la minimoto. Les éléments d'entretien sont indiqués dans le tableau ci-dessous :

Élément	Niveau d'entretien	Fréquence					
		Chaque semaine	Deux fois par mois	Chaque mois	Tous les 2 mois	Tous les 3 mois	Remplacer régulièrement
Fonctionnement de l'accélérateur	Général					i	
Liquide de frein	Technique				i		

Plaquettes de frein	Technique		i				Moins de 1/16 po (1,5 mm) d'épaisseur
Système de freinage	Technique					i	
Feux arrière / feux de freinage	Général					i	
Phare avant	Général					i	
Béquille	Général					i	
Suspension	Technique					l	
Roues / Pneus	Technique	i					Roues : 1 an ou 6000 km
							Pneus : fissures ou profondeur de la bande de roulement inférieure à 1/32 po (0,8 mm)
Roulement de la colonne de direction	Technique					l	
Écrous, boulons, fixations	Général					i	

Général - Il est recommandé de confier l'entretien du véhicule à un technicien formé et équipé, sauf si vous possédez les compétences mécaniques requises.

Technique - Pour des raisons de sécurité, il est préférable de confier l'entretien de la minimoto à un technicien formé et équipé.

i – Inspecter (nettoyer, lubrifier ou remplacer, si nécessaire)

c – Nettoyer

l – Lubrifier

r – Remplacer

Pour les opérations d'inspection et d'entretien détaillées, contactez le service clientèle EGO.

ENTRETIEN GÉNÉRAL

Pour cette minimoto, tous les systèmes critiques (freins, cadre, suspension et accélérateur) doivent être entretenus par un technicien formé et équipé. Les fixations non critiques et la lubrification peuvent être entretenues par le client.

Lubrifiez le joint de la suspension avant si nécessaire. Dans les environnements secs et poussiéreux, la période de lubrification sera plus courte.

Lubrifiez tous les pivots, si nécessaire :

- Pivots du levier de frein.
- Pivots des repose-pieds.
- Pivot de la béquille latérale.
- Accélérateur

Resserrez les fixations desserrées sur les systèmes non critiques :

- Boulons de montage du boîtier de phare.
- Vis de montage du boîtier des feux arrière.
- Boulons de montage du boîtier de l'écran LCD.
- Boulons de montage de la bavette.

Le programme d'entretien fournit les exigences d'entretien nécessaires pour garantir une utilisation sûre de la minimoto. Conservez un registre des opérations d'entretien.

NETTOYAGE

⚠ AVERTISSEMENT : Ne laissez jamais les liquides de frein, l'essence, les produits à base de pétrole, les huiles pénétrantes, etc. entrer en contact avec les pièces en plastique. Les produits chimiques peuvent endommager, affaiblir ou détruire le plastique, ce qui peut entraîner des blessures graves.

- Évitez d'utiliser des solvants pour nettoyer les pièces en plastique. La plupart des plastiques sont susceptibles d'être endommagés par divers types de solvants commerciaux et peuvent être endommagés par leur utilisation. Utilisez un chiffon propre pour enlever la saleté, la poussière, l'huile, la graisse, etc. Les sprays insectifuges peuvent endommager le plastique et les surfaces peintes. Ne vaporisez pas d'insectifuge à proximité de la minimoto.
- Une exposition prolongée à la lumière du soleil peut endommager certaines surfaces.

- Si la minimoto est accidentellement laissée dehors sous la pluie, utilisez un chiffon propre et sec pour sécher le siège, l'accélérateur, etc., avant de la redémarrer ou de la ranger.

⚠ AVERTISSEMENT : Retirez toujours les clés et les batteries de la minimoto avant de la nettoyer.

- N'inondez pas d'eau le compartiment à batterie et les composants électriques. Ne versez pas d'eau directement dans le compartiment de rangement. Lors du nettoyage de la minimoto, essuyez-la avec une serviette humide après avoir essoré l'eau.
- Ne versez pas d'eau directement sur les freins, les moteurs et les essieux avant et arrière, car de l'eau pourrait s'y infiltrer et la durée de vie des composants s'en trouverait réduite.
- Il est strictement interdit d'asperger la minimoto directement avec un jet d'eau puissant. Les pièces électriques pourraient être endommagées ou tomber en panne.
- Nettoyez la minimoto avec de l'eau propre et un détergent neutre. Utilisez un chiffon doux pour sécher la minimoto après le lavage afin d'éviter les rayures.

⚠ AVERTISSEMENT : Assurez-vous que le compartiment à batterie est sec après chaque nettoyage pour éviter tout risque de choc électrique et d'endommagement de la minimoto.

VÉRIFICATION DE LA PRESSION DES PNEUS

Vérifiez la pression d'air dans les deux pneus avant l'utilisation. Une pression d'air inappropriée affectera la maniabilité, la réponse de la direction, la traction, la durée de vie des pneus et le confort du conducteur. Assurez-vous que les pneus sont gonflés à la pression indiquée dans le tableau « **SPÉCIFICATIONS** » ci-dessus. Assurez-vous que les bouchons sont bien serrés après avoir gonflé les pneus.

AVIS : La pression des pneus ne doit être mesurée ou ajustée que lorsque les pneus sont froids.

⚠ AVERTISSEMENT : Vérifiez soigneusement la pression des pneus pendant le gonflage. Une trop grande quantité d'air dans le pneu peut provoquer l'éclatement du pneu et causer des blessures graves.

⚠ AVERTISSEMENT : Il est très important de maintenir une pression d'air correcte dans les pneus. Une pression trop faible pourrait permettre au pneu de se détacher de la jante. Une pression trop forte pourrait faire éclater le pneu. Le fait de ne pas maintenir une pression d'air correcte dans les pneus pourrait entraîner des problèmes de stabilité de conduite, provoquant des blessures graves.

INSPECTION ET ENTRETIEN DES PNEUS

Vérifiez si les pneus présentent des fissures ou des signes visibles de détérioration. C'est également le moment d'enlever les débris incrustés dans les pneus, comme les cailloux, les éclats de verre ou les vis.

Lorsque les pneus sont usés ou endommagés, ou que les marques d'usure de la bande de roulement ne sont pas visibles, contactez le service à la clientèle EGO pour les remplacer.



⚠ ATTENTION : Si vous ne possédez pas d'outils mécaniques spéciaux ou d'instruments de mesure, contactez le service à la clientèle EGO pour l'inspection et le remplacement. Ne démontez pas la minimoto avant d'en maîtriser la technologie, afin d'éviter d'endommager les autres pièces.

RANGEMENT

- Éteignez la minimoto, retirez les clés et les batteries avant de la ranger.
- Nettoyez soigneusement la minimoto. Voir le chapitre « **NETTOYAGE** » à titre de référence.
- Inspectez la minimoto pour vérifier qu'il n'y a pas de pièces usées ou endommagées et resserrez les écrous ou les vis qui pourraient s'être desserrés.
- Rangez la minimoto dans un endroit sec, propre, couvert et fermé, hors de portée des enfants. Ne la rangez pas à proximité de matériaux corrosifs, tels que de l'engrais ou du sel gemme.

GUIDE DE DÉPANNAGE

PROBLÈME	CAUSE	SOLUTION
Le moteur ne tourne pas.	<ul style="list-style-type: none"> ■ Les batteries ne sont pas (correctement) fixées à la minimoto. ■ Il n'y a pas de contact électrique entre les composants électriques et les batteries. ■ La charge de la batterie est épuisée. ■ Les batteries ou la minimoto sont trop chaudes. ■ La béquille n'est pas rétractée. ■ Le bouton READY n'est pas enfoncé avant de tourner l'accélérateur. 	<ul style="list-style-type: none"> ■ Fixez correctement les batteries à la minimoto. ■ Retirez les batteries ; vérifiez les contacts et réinstallez les batteries. ■ Chargez les batteries. ■ Faites une pause, retirez les batteries et laissez-les refroidir ainsi que la minimoto. ■ Rétractez la béquille avant de rouler ou de faire marche arrière. ■ Appuyez sur le bouton READY à côté du guidon droit avant de tourner l'accélérateur.
La minimoto roule lentement ou a une durée d'autonomie courte.	<ul style="list-style-type: none"> ■ Les batteries ne sont pas complètement chargées. ■ Batteries anciennes / endommagées. ■ Pneus sous-gonflés. ■ La charge de la minimoto dépasse la capacité. 	<ul style="list-style-type: none"> ■ Chargez les batteries. ■ Remplacez les batteries. ■ Gonflez les pneus à 32 psi (220,6 kPa) lorsqu'ils sont froids. ■ Maintenez la charge de la minimoto dans la limite de 220 lb. (100 kg)

PROBLÈME	CAUSE	SOLUTION
Le mode SPORT ne peut pas être utilisé.	<ul style="list-style-type: none"> ■ Utilisation d'une batterie de faible capacité (Ah). ■ Le limiteur de vitesse est activé. 	<ul style="list-style-type: none"> ■ Utilisez deux batteries Ah de 5,0 Ah ou plus. ■ Désactivez l'interrupteur du limiteur de vitesse. Référez-vous au chapitre « LIMITEUR DE VITESSE ».
La minimoto dérape pendant la conduite.	<ul style="list-style-type: none"> ■ Défaillance des freins ou longue distance de freinage. ■ Pneus usés ou incorrects. ■ Les pneus sont sous-gonflés ou surgonflés. ■ Conduite sur une surface glissante. 	<ul style="list-style-type: none"> ■ Contrôlez la course libre du frein, la conduite de frein, l'usure du disque de frein et contactez le service à la clientèle EGO pour la réparation. ■ Contactez le service à la clientèle EGO pour le remplacement. ■ Gonflez ou dégonflez les pneus à froid jusqu'à ce que la pression des pneus atteigne 32 psi (220,6 kPa). ■ Ralentissez, arrêtez-vous dès que possible, sortez votre minimoto de la zone glissante avec précaution et évitez de pénétrer à nouveau.
Les feux de croisement et de route ne peuvent pas être allumés.	<ul style="list-style-type: none"> ■ Le système de contrôle de l'éclairage n'est pas réglé sur « toutes les lumières allumées ». 	<ul style="list-style-type: none"> ■ Poussez le bouton de commande de l'éclairage sur  (tous les feux allumés) avant d'activer les feux de croisement et les feux de route.
Le compartiment de rangement ne peut pas être fermé.	<ul style="list-style-type: none"> ■ Le compartiment de rangement n'est pas verrouillé. 	<ul style="list-style-type: none"> ■ Tournez la clé vers  avant de fermer le compartiment de rangement.

RÉFÉRENCE DES CODES D'ERREUR

Le système informatique de bord prend des mesures pour protéger l'opérateur et la minimoto lorsqu'il détecte un problème. Lorsqu'il agit pour éteindre la minimoto ou un composant, il indique qu'une erreur s'est produite ; le code d'erreur remplace le compteur de vitesse sur l'écran LCD et l'unité de vitesse sur le côté droit du compteur de vitesse disparaît.

Code d'erreur sur l'écran LCD	Description	Solution
12	Les batteries sont trop chaudes.	Faites une pause, retirez les batteries et laissez-les refroidir ainsi que la minimoto.
21	Le moteur est trop chaud.	Faites une pause, retirez les batteries et laissez la minimoto refroidir.
32	Charge de batterie faible	Chargez les batteries.
34	Protection contre les surintensités	Redémarrez la minimoto. Maintenez la charge de la minimoto dans la limite de 220 lb. (100 kg) et évitez de conduire la minimoto sur une pente supérieure à 13°.
35	Protection contre le calage	Redémarrez la minimoto. Maintenez la charge de la minimoto dans la limite de 220 lb. (100 kg) et évitez de conduire la minimoto sur une pente supérieure à 13°.
36	L'électronique est trop chaude.	Faites une pause, retirez les batteries et laissez la minimoto refroidir.

REMARQUE : Pour tout autre code d'erreur apparaissant sur l'écran LCD, pouvant indiquer une panne de communication, une erreur du signal d'accélérateur, une panne de moteur, une panne de contrôleur, etc., veuillez retirer toutes les batteries et les réinsérer quelques minutes plus tard pour redémarrer la minimoto. Si cela ne résout pas le problème, veuillez contacter le centre de service à la clientèle EGO et faire effectuer les réparations par un technicien qualifié.

GARANTIE LIMITÉE D'EGO

CONDITIONS ET DURÉE DE LA POLITIQUE DE GARANTIE

Chervon North America, Inc. (« Chervon North America ») accorde la Garantie limitée suivante pour les produits EGO à l'acheteur initial de produits EGO.

La période de garantie détaillée de chaque produit EGO est indiquée en ligne à l'adresse <http://egopowerplus.com/warranty-policy>.

Veillez contacter le Service à la clientèle d'EGO en téléphonant au 877-346-9876 (877-EGO-ZTRM) (appel gratuit) à tout moment en cas de questions, si vous voulez vous prévaloir de la garantie ou si vous souhaitez obtenir une version sur papier de la garantie.

GARANTIE LIMITÉE DE SERVICE APRÈS-VENTE

Les produits EGO sont garantis contre tout défaut de matériel ou de fabrication à partir de la date d'achat au détail originale et pendant la période de garantie applicable.

Pour toute demande de garantie soumise correctement et dans les délais, si Chervon North America détermine qu'un produit est défectueux pendant la période de garantie, le produit sera réparé ou remplacé gratuitement, selon ce qui aura été déterminé par Chervon North America.

COMMENT OBTENIR DE L'ASSISTANCE DANS LE CADRE DU SERVICE APRÈS-VENTE

Pour obtenir de l'assistance dans le cadre de la garantie (pendant la période de garantie applicable), veuillez contacter le service à la clientèle d'EGO en téléphonant au **877-346-9876 (877-EGO-ZTRM)** (appel gratuit). Lorsque vous demandez de l'assistance dans le cadre de la garantie, vous devez présenter le reçu de vente original daté. Un centre de service après-vente agréé sera sélectionné pour évaluer et réparer le produit défectueux conformément aux conditions de garantie énoncées. Lorsque vous apportez votre produit au centre de service après-vente agréé, il se peut qu'une petite caution vous soit demandée lors du dépôt de votre outil. Cette caution est remboursable lorsque le service de réparation est considéré comme étant couvert par la garantie.

LIMITATIONS ET EXCLUSIONS SUPPLÉMENTAIRES

Cette garantie limitée ne s'applique qu'à l'acheteur initial d'un produit à un revendeur agréé EGO, et elle ne peut pas être cédée. Les produits EGO ne sont pas considérés comme défectueux et la présente garantie ne s'applique pas lorsque le défaut invoqué est imputable à une cause autre que les défauts définis ci-dessus. Cette garantie est nulle et non avenue si le produit a été utilisé à des fins de location. La présente

garantie ne s'applique pas aux dommages causés par un accident, un abus, une mauvaise utilisation, une altération, une modification, une réparation non autorisée, un contact avec un liquide, un incendie, un tremblement de terre ou toute autre cause externe ; par une utilisation du produit en dehors des instructions, spécifications ou directives d'EGO ; ou par un manquement à l'entretien ou à la maintenance convenable du produit. Cette garantie ne s'applique pas non plus aux dommages esthétiques, y compris, mais sans s'y limiter, les rayures ou les bosses, ainsi qu'aux défauts causés par l'usure normale ou autrement dus au vieillissement normal du produit.

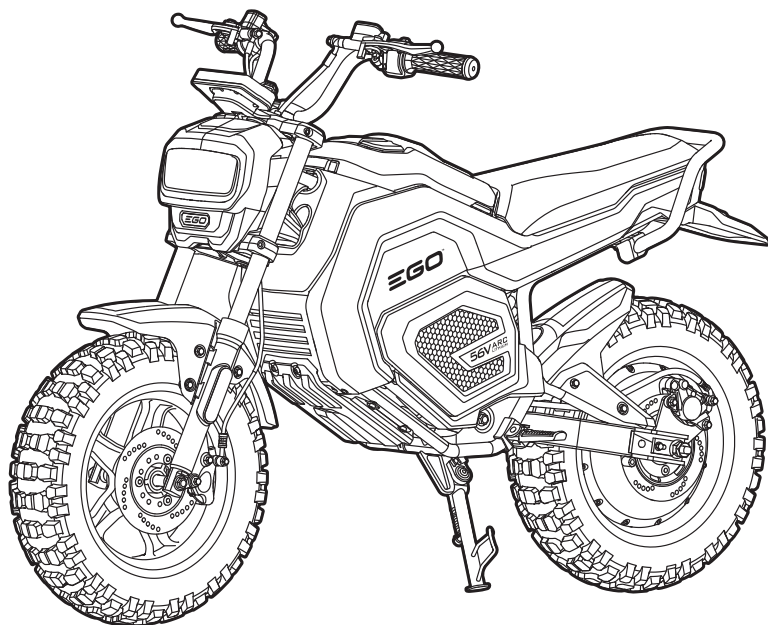
CETTE GARANTIE EXPRESSE EST DONNÉE EN LIEU ET PLACE DE TOUTE AUTRE GARANTIE, EXPRESSE OU IMPLICITE, Y COMPRIS, MAIS SANS S'Y LIMITER, TOUTE GARANTIE DE QUALITÉ MARCHANDE OU D'ADÉQUATION À UN USAGE PARTICULIER, QUI EST REJETÉE. Toute garantie implicite, y compris la garantie de qualité marchande ou d'adéquation à un usage particulier qui ne peut être rejetée en vertu de la loi de l'État ou de la province est limitée à la période de garantie applicable définie au début de cet article. Le seul et unique recours en rapport avec l'achat, l'installation, l'utilisation et/ou la performance des produits EGO est la réparation ou le remplacement du produit selon la décision de Chervon North America. La responsabilité maximale de Chervon North America ne dépassera en aucun cas le prix d'achat payé pour le produit. CHERVON NORTH AMERICA NE SERA PAS RESPONSABLE ENVERS L'UTILISATEUR OU TOUTE AUTRE PERSONNE DES DOMMAGES CONSÉCUTIFS, ACCIDENTELS, SPÉCIAUX, EXEMPLAIRES, INDIRECTS OU PUNITIFS RÉSULTANT DE L'UTILISATION DES PRODUITS, Y COMPRIS, MAIS SANS S'Y LIMITER, LES PRÉJUDICES CORPORELS, LA MORT, LES DOMMAGES MATÉRIELS, LA PERTE DE BÉNÉFICES OU TOUT AUTRE DOMMAGE ÉCONOMIQUE. Cette garantie vous confère des garanties juridiques particulières, et vous pouvez aussi avoir d'autres droits, qui varient selon l'État ou la province. Étant donné que certains États et certaines provinces ne permettent pas de limitations quant à la durée d'une garantie implicite ou ne permettent pas l'exclusion ou la limitation des dommages indirects ou secondaires, ou le délai de prescription pour intenter certaines actions, il est possible que les limitations contenues aux présentes ne s'appliquent pas à consommateurs dans ces États ou provinces.

Cette garantie est soumise au droit du Michigan et doit être interprétée conformément au droit du Michigan sans tenir compte des principes de conflits de lois. Aucune action en justice ne pourra être intentée contre Chervon North America si elle n'est pas déposée dans un délai d'un (1) an après que le fondement de cette action en justice aura été connu, ou qu'il aurait dû l'être si une diligence raisonnable avait été exercée. Toute action non intentée dans les délais est réputée abandonnée.

Pour le service à la clientèle, contactez-nous en téléphonant au numéro suivant (appel gratuit) : **877-346-9876 (877-EGO-ZTRM)** ou **EGOPOWERPLUS.COM**.
EGO Customer Service,
769 Seward Ave. NW, Suite 102,
Grand Rapids, Michigan 49504.

EGO™

POWER+ MINI BIKE™



EDAD DEL CONDUCTOR: 16+

**SÓLO PARA USO EN VÍAS
TODOTERRENO**

**INFLAR LOS NEUMÁTICOS
ANTES DEL PRIMER USO**

MANUAL DEL USUARIO

MINIMOTO DE 56 V

NÚMERO DE MODELO MB1000/ MB1000-FC

⚠ ADVERTENCIA: Para reducir el riesgo de lesiones, el usuario debe leer y comprender el Manual del propietario antes de usar este producto. Guarde estas instrucciones para referencia futura.

Este manual debe ser considerado como parte permanente de la minimoto y debe permanecer con ella cuando sea revendida.

Esta publicación incluye la información de producción más reciente disponible antes de la impresión. EGO se reserva el derecho a realizar cambios en cualquier momento sin previo aviso y sin incurrir en obligaciones.

La minimoto que aparece en este manual puede no coincidir con su minimoto real. Póngase en contacto con el servicio de atención al cliente de EGO llamando al teléfono gratuito 877-346-9876 (877-EGO-ZTRM) siempre que tenga alguna pregunta.

¡LEA TODAS LAS INSTRUCCIONES!



LEA Y ENTIENDA EL
MANUAL DEL OPERADOR

ÍNDICE

Símbolos de seguridad	103-104
Símbolos	105-106
Instrucciones de seguridad para minimotos	107-114
Introducción	115
Especificaciones	115-116
Descripción	117-124
Ensamblaje	125-127
Operación	128-140
Mantenimiento	141-145
Detección y solución de problemas	146-147
Referencia del código de fallas	148
Garantía limitada EGO	149-150

SÍMBOLOS DE SEGURIDAD





La finalidad de los símbolos de seguridad es llamar su atención sobre posibles peligros. Los símbolos de seguridad y las explicaciones que los acompañan merecen toda su atención y comprensión. Los símbolos de advertencia no eliminan por sí solos ningún peligro. Las instrucciones y advertencias que dan no sustituyen a las medidas adecuadas de prevención de accidentes.

Este manual contiene muchas advertencias y precauciones sobre las consecuencias de no mantener, inspeccionar o utilizar correctamente su minimoto. Dado que cualquier incidente puede provocar lesiones graves o incluso la muerte, no repetimos la advertencia de posibles lesiones graves o muerte cada vez que se menciona tal posibilidad.

Cuando utilice este producto, debe seguir las instrucciones del manual del operador y cumplir las leyes federales y las normas de tráfico locales. El usuario será responsable de las consecuencias adversas derivadas de las siguientes circunstancias:

- Violación de leyes y reglamentos.
- Uso inadecuado.
- Desmontaje y cambio de la configuración original sin autorización.
- Operación ilegal.

⚠ ADVERTENCIA: Asegúrese de leer y comprender todas las instrucciones de seguridad de este Manual del operador y todas las advertencias de la minimoto, incluidos todos los símbolos de alerta de seguridad como “**PELIGRO**”, “**ADVERTENCIA**” y “**PRECAUCIÓN**” antes de utilizar esta minimoto. El incumplimiento de todas las instrucciones indicadas a continuación puede provocar la muerte y/o lesiones personales graves e incendios.

Las definiciones que figuran a continuación describen el nivel de gravedad de cada palabra de señalización. Lea el manual y preste atención a estos símbolos.	
	Este es el símbolo de alerta de seguridad. Se utiliza para alertarle de posibles riesgos de lesiones personales. Obedezca todos los mensajes de seguridad que siguen a este símbolo para evitar posibles lesiones o la muerte.
	ADVERTENCIA indica una situación peligrosa que, si no se evita, puede provocar la muerte o lesiones graves.
	PRECAUCIÓN, utilizado con el símbolo de alerta de seguridad, indica una situación peligrosa que, si no se evita, provocará lesiones leves o moderadas.
	PELIGRO indica una situación peligrosa que, si no se evita, provocará la muerte o lesiones graves.

PREVENCIÓN DE DAÑOS Y MENSAJES INFORMATIVOS

Informan al usuario de información importante y/o instrucciones que podrían provocar daños en el equipo u otros bienes si no se siguen. Cada mensaje va precedido de la palabra "AVISO", como en el ejemplo siguiente:

AVISO: Si no se siguen estas instrucciones, pueden producirse daños en el equipo y/o en la propiedad.

SÍMBOLOS

Esta página representa y describe los símbolos de seguridad que pueden aparecer en este producto. Lea, comprenda y siga todas las instrucciones de la minimoto antes de intentar ensamblarla y utilizarla.

	Alerta de seguridad	Indica un peligro potencial de lesiones personales.
	Lea y comprenda el manual de operador	Para reducir el riesgo de lesiones, el usuario debe leer y comprender el manual del operador antes de utilizar este producto.
	Símbolos de reciclaje	Este producto utiliza baterías de iones de litio (Li-ion). Las leyes locales, estatales o federales pueden prohibir desechar las baterías en la basura ordinaria. Consulte a las autoridades locales competentes en materia de residuos para obtener información sobre las opciones de reciclado y/o eliminación disponibles.
IP...	Grado de protección de entrada	Clasifica el grado de protección proporcionado por un compartimento, para equipos eléctricos.
	Corriente continua (CC)	Tipo o característica de corriente
V	Voltio	Tensión
mm	Milímetro	Longitud o tamaño
cm	Centímetro	Longitud o tamaño
MPH	Millas por hora	Velocidad
km/h	Kilómetros por hora	Velocidad
ft	Pie	Longitud o tamaño
in.	Pulgada	Longitud o tamaño

kg	Kilogramo	Peso
lb	Libra	Peso
ml	Mililitro	Volumen
fl.oz	Onza líquida	Volumen
°C	Grados Celsius	Temperatura
°F	Grados Fahrenheit	Temperatura

INSTRUCCIONES DE SEGURIDAD PARA MINIMOTOS

⚠ ¡ADVERTENCIA! Lea, comprenda completamente y siga todas las advertencias de seguridad, instrucciones, ilustraciones y especificaciones proporcionadas con esta minimoto antes de su operación. Si no se siguen todas las instrucciones indicadas a continuación, pueden producirse lesiones graves, descargas eléctricas y/o incendios.

Guarde todas las advertencias e instrucciones para futuras consultas y reventa.

Compruebe y respete siempre las leyes o normativas locales que puedan afectar a los lugares en los que se puede utilizar la minimoto EGO.

ADVERTENCIAS GENERALES

⚠ ¡ADVERTENCIA!

- Conducir una minimoto presenta riesgos potenciales que requieren una mayor precaución. Existen peligros inherentes al uso de una minimoto (por ejemplo, caídas o situaciones de colisión) que ningún tipo de cuidado, instrucción o experiencia puede eliminar. Si se produjeran tales riesgos, podrían producirse lesiones graves o incluso la muerte, aunque se utilicen equipos de seguridad u otras precauciones. **CONDUZCA BAJO SU PROPIA RESPONSABILIDAD Y UTILICE EL SENTIDO COMÚN.**
- Esta minimoto está diseñada y fabricada exclusivamente para su uso en vías todoterreno. Los neumáticos suministrados con esta minimoto son sólo para uso en vías todoterreno. El uso en superficies pavimentadas puede hacer que la minimoto sea inestable. Además, esta minimoto no dispone de elementos de seguridad como intermitentes o espejos visores laterales. Nunca lo utilice en calzadas o aceras. Al cruzar una calzada, bájese de su minimoto y cruce con ella por un paso de peatones.
- Puede ser ilegal conducir esta minimoto en cualquier calle, carretera o autopista pública de su zona. Consulte la normativa local (estatal, municipal, etc.).
- Esta minimoto está diseñada como vehículo para una sola persona. No lleve nunca un pasajero ni permita que conduzca la minimoto más de una persona a la vez.

- NO SOBREPASE EL LÍMITE DE PESO DE 220 lb. (100 kg). El peso del conductor no significa necesariamente que el tamaño de una persona sea el adecuada para adaptarse o mantener el control de la minimoto. Tenga en cuenta que la capacidad de carga incluye las pertenencias u objetos personales del conductor.
- Tómese su tiempo para aprender y practicar. Aunque tenga experiencia con otros vehículos de dos ruedas, practique la conducción de esta minimoto en una zona segura para familiarizarse con su funcionamiento y manejo, y acostumbrarse a su tamaño y peso. Se recomienda que todos los motoristas realicen un curso certificado, ya sea aprobado por la Motorcycle Safety Foundation o un curso de capacitación estatal local.
- Esta minimoto no es apta para menores de 16 años. Aunque su hijo sea mayor de edad, puede que no tenga la capacidad física o mental para montar una minimoto. Corresponde a los padres evaluar la capacidad de su hijo antes de permitirle montar.
 - Los pies del conductor deben poder tocar completamente el suelo cuando esté sentado en la minimoto.
 - El conductor debe poder alcanzar y accionar todos los mandos.
 - Es responsabilidad de los padres evaluar las capacidades, habilidades y madurez de su hijo para poder montar una minimoto.
 - Los padres son responsables de que sus hijos conozcan y comprendan todas las advertencias, instrucciones y temas de seguridad. Los padres deben reforzar estos conocimientos cada vez que el niño utilice la minimoto.
 - Los padres asumen la responsabilidad de inspeccionar y mantener la minimoto antes de que un niño la utilice.
- Esta minimoto se fabricó para ofrecer el rendimiento y la durabilidad necesarios para la conducción recreativa todoterreno. Los saltos u otras conducciones agresivas pueden sobrecargar y dañar esta minimoto. El conductor asume todos los riesgos asociados a daños y lesiones debidos al manejo de la minimoto de forma agresiva.

ADVERTENCIAS DE OPERACIÓN

ANTES DE MONTAR

- Inspeccione su minimoto antes de cada uso por si presenta daños o desgaste (consulte el capítulo “**Inspección previa a la conducción**”). Realice el mantenimiento de la minimoto antes de utilizarla.
 - Compruebe si los frenos funcionan correctamente.
 - Compruebe que el acelerador funcione correctamente y que vuelve a la posición “OFF” inmediatamente después de soltarlo.
 - Compruebe el desgaste y el inflado de los neumáticos.
 - Inspeccione la suspensión, el cuadro, los elementos de apoyo (asiento y reposapiés) y las llantas de la minimoto en busca de daños. Confirme que todos los elementos de fijación: tuercas, pernos y tornillos, estén bien apretados.
- Lleve siempre ropa de protección:
 - El casco debe tener una certificación de seguridad, ser muy visible y ser del tamaño correcto para el conductor. Busque cascos con la etiqueta de certificación DOT (Departamento de Transporte).
 - Los guantes deben ser de dedos enteros con alta resistencia a la abrasión.
 - Deben llevarse botas o zapatos de montar con suela antideslizante y que protejan los tobillos.
 - La chaqueta y los pantalones deben ser protectores, muy visibles y duraderos. La chaqueta debe ser de manga larga.
- Las llaves deben utilizarse para evitar el uso no autorizado. Guarde las llaves en un lugar seguro para evitar el uso no deseado de la minimoto por parte de usuarios sin capacitación o menores de edad.
- Manténgase alerta, observe lo que hace y utilice el sentido común cuando opere la minimoto. No utilice la minimoto bajo los efectos de drogas, alcohol o medicamentos. Un momento de falta de atención durante el manejo de la minimoto puede provocar lesiones personales graves y/o la muerte.
- Está prohibido utilizar otros dispositivos mientras se conduce esta minimoto.

- No utilice el celular mientras conduzca. Interactuar con su teléfono reducirá en gran medida su control de la minimoto y su capacidad de reacción ante condiciones adversas.
- No lleves auriculares o audífonos mientras conduzca. La reducción de la audición podría afectar en gran medida su capacidad para reaccionar ante situaciones desconocidas.
- Para garantizar un manejo controlado y seguro de la minimoto, mantenga ambas manos en el manubrio y coloque ambos pies en el reposapiés durante la conducción. La conducción con una sola mano no ofrece suficiente control para todas las situaciones y mantener los pies en el reposapiés garantiza que el conductor esté preparado para situaciones inesperadas.
- No utilice nunca esta minimoto cerca de descensos verticales pronunciados: acantilados, escaleras, masas de agua y similares. Las caídas libres de este tipo pueden provocar lesiones graves y/o incluso la muerte.
- Nunca remolque ni sea remolcado por otro vehículo. Esta minimoto no está diseñada para ser remolcada ni para remolcar otros vehículos.
- Transporte esta minimoto mediante un camión, un remolque o un portaequipajes de enganche aprobado por el fabricante. Utilice una rampa para cargar y descargar su minimoto y súbala y bájela por la rampa. No conduzca subiendo ni bajando nunca la minimoto por la rampa. Tenga cuidado al cargar y descargar la minimoto. Su peso es lo suficientemente importante como para causar lesiones graves si le cae encima. En el remolque o en la plataforma del camión, la minimoto debe apoyarse sobre las dos ruedas y el pie de apoyo. Utilice amarres para fijar la minimoto en su sitio.
- SU MINIMOTO NO ES UN JUGUETE. No juegue con otro(s) conductor(es) durante los paseos.

CONDUCCIÓN

- Conduzca a la defensiva. Preste siempre atención a su entorno de conducción. Tenga cuidado con los demás ciclistas y peatones y no asuma que lo pueden ver. Anticiparse a las acciones de otros conductores y peatones no es sólo especular: es una habilidad que garantiza su seguridad y la de los demás. Conozca sus condiciones de conducción y modifique sus hábitos para adaptarlos a ellas. Las condiciones de la superficie afectarán en gran medida al control que uno tenga sobre su minimoto. Esté atento a posibles objetos, rocas, palos que requieran maniobras para evitarlos.

- La superficie ideal para conducir la minimoto es un terreno llano sin restos sueltos como piedras o grava. Se entiende que uno puede encontrarse con muchas condiciones de superficie en su recorrido. Es importante que el conductor practique con su minimoto en una zona segura y controlada para comprender cómo se maneja su minimoto en todas las condiciones posibles y qué debe hacer el conductor para controlar correctamente su minimoto. Las superficies resbaladizas, con baches, desiguales o rugosas pueden dificultar la tracción y contribuir a posibles accidentes. Las superficies mojadas requieren un mayor tiempo/distancia de frenado.
- Nunca conduzca esta minimoto sobre hielo. Una superficie resbaladiza le impedirá controlar correctamente la minimoto y puede causarle lesiones graves.
- No conduzca nunca esta minimoto sobre lagos, ríos o superficies similares congeladas. Si el hielo se rompe, puede producirse la muerte o lesiones graves.
- Esta minimoto puede funcionar en condiciones de lluvia ligera sin riesgo para la batería y el sistema eléctrico. El conductor debe tener más precaución en estas condiciones, ya que la tracción se deteriorará y la distancia de frenado aumentará. No la utilice con lluvias medias o fuertes.
 - **AVISO:** Esta minimoto no puede sumergirse en el agua. No atravesie cursos de agua: charcos, arroyos, riachuelos o ríos de 10" (25.4 cm) de profundidad o más. El incumplimiento de esta precaución provocará daños eléctricos en su minimoto.
- Utilice los faros delanteros (luz de cruce) y posteriores en todas las condiciones de conducción. Utilizar los faros delanteros y posteriores le hará más visible para los demás conductores y peatones. Se recomienda utilizar la luz de carretera cuando se circule de noche y en condiciones meteorológicas adversas, excepto niebla.
- Conozca sus frenos. Practique el frenado con su minimoto para acostumbrarse a cómo se comporta en todas las condiciones y situaciones. Tenga en cuenta las siguientes advertencias adicionales:
 - Evite los frenazos bruscos. Frenar demasiado rápido puede provocar la pérdida de control.
 - Cuando los frenos se mojan, aumenta la distancia de frenado. Extreme las precauciones al frenar en condiciones húmedas. Para secar los frenos, ejerza una ligera presión sobre las palancas de freno mientras conduzca.

- Cuando sea posible, reduzca la velocidad antes de entrar en una curva.
- Tenga cuidado en superficies de baja tracción. Los neumáticos patinan más fácilmente y aumenta la distancia de frenado.
- Evite frenar continuamente. Por ejemplo, en descensos largos o pronunciados que pueden sobrecalentar gravemente los frenos, reduciendo su eficacia.

ALMACENAMIENTO Y ESTACIONAMIENTO

- Si es posible, guarde la minimoto en un espacio cerrado, garaje o cobertizo, con una cubierta. Si se almacena al aire libre, cúbralo completamente con una funda impermeable.
- No almacenar con la(s) batería(s) insertada(s). Retire las baterías después de cada uso.
- Para un almacenamiento prolongado, lave la minimoto antes de guardarla. Aplique aceite antioxidante a las partes metálicas expuestas y un protector de vinilo/caucho al asiento y los neumáticos.
- Estacione la minimoto en una superficie firme y nivelada. Si no es posible, asegúrese de que la minimoto esté orientada de forma que no pueda caerse.
- No estacione la minimoto cerca de las salidas de los edificios.

BATERÍAS Y CARGADOR

- Las baterías y los cargadores tienen manuales de instrucciones independientes. Lea, comprenda completamente y siga todas las advertencias de seguridad, instrucciones y especificaciones indicadas en ellas para cargar correctamente las baterías.
- El proceso de carga de la batería sólo debe realizarlo un adulto.
- Recargue las baterías aprobadas únicamente con los cargadores aprobados especificados por el fabricante. Un cargador adecuado para un tipo de batería puede crear riesgo de incendio si se utiliza con otro tipo de batería. A continuación se muestra una tabla de baterías y cargadores aprobados que pueden utilizarse indistintamente. Póngase en contacto con el servicio de atención al cliente de EGO para obtener información sobre las últimas baterías y cargadores compatibles con este producto.

BATERÍAS	CARGADOR
BA1400, BA1400-FC, BA2800, BA2800-FC, BA4200, BA4200-FC, BA1400T, BA1400T-FC, BA2242T, BA2242T-FC, BA2800T, BA2800T-FC, BA3360T, BA3360T-FC, BA4200T, BA4200T-FC, BA4480T, BA4480T-FC, BA5600T, BA5600T-FC, BA6720T, BA6720T-FC	CH2100, CH2100-FC, CH3200, CH3200-FC, CH5500, CH5500-FC, CH2800D, CH2800D-FC, CH7000, CH7000-FC

NOTA: Para obtener el mejor rendimiento y el máximo tiempo de funcionamiento, se recomienda utilizar dos paquetes de baterías de 5.0 Ah o superior.

MANTENIMIENTO Y SERVICIO

AVISO: Es su responsabilidad mantener su minimoto en buen estado de mantenimiento. Se trata de un proceso esencial para garantizar su seguridad, el máximo rendimiento, evitar averías y proteger su inversión. Cualquier problema detectado en la inspección previa a la conducción debe abordarse de inmediato. Es aceptable que el propietario realice el mantenimiento indicado en este manual. Cualquier reparación o mantenimiento debe ser realizado por un técnico debidamente capacitado y equipado. No monte la minimoto hasta que esté reparada. Realice revisiones periódicas según el “**Programa de mantenimiento recomendado**”.

- Antes de limpiar o realizar cualquier tarea de mantenimiento, estacione la minimoto en una superficie nivelada, apáguela y retire las baterías y las llaves para evitar un arranque accidental y posibles lesiones personales graves.
- Deje que la minimoto se enfríe antes de realizar cualquier tarea de mantenimiento posterior a la conducción. El motor del buje y las pinzas y rotores de los frenos son elementos conocidos que se calientan mucho. El contacto con estos objetos puede provocar quemaduras importantes si no se dejan enfriar.
- Encargue el mantenimiento de su minimoto a un técnico debidamente capacitado y equipado que utilice únicamente repuestos idénticos. Esto garantizará que se mantenga la seguridad de la minimoto. El uso de cualquier otra pieza puede crear un peligro o causar daños al producto.
- Al realizar el mantenimiento de lubricación, evite que la grasa entre en contacto con los rotores o las pinzas, ya que podría provocar una falla de los frenos y lesiones personales. Si la grasa se adhiere a los rotores, elimínela con un limpiador de frenos. Si la grasa entra en contacto con alguna pastilla de freno, ésta debe reemplazarse.

- Evite que los líquidos de frenos, la gasolina, los productos derivados del petróleo, los aceites penetrantes, etc., entren en contacto con las piezas de plástico. Los productos químicos pueden dañar, debilitar o destruir el plástico, lo que puede provocar lesiones personales graves.
- Lave la minimoto sólo con una manguera de jardín estándar sin boquilla. Tenga cuidado al lavar o enjuagar cerca del asiento. Los componentes electrónicos sensibles se encuentran bajo la zona de asientos y podrían verse afectados por la infiltración de agua.
- Mantenga o reemplace las etiquetas de seguridad e instrucciones, según sea necesario. Póngase en contacto con el servicio de atención al cliente de EGO para que le ayuden a adquirir nuevas etiquetas.
- Si se producen situaciones no contempladas en este manual, actúe con precaución y buen juicio. Póngase en contacto con el servicio de atención al cliente de EGO para obtener ayuda.

SI NO SE UTILIZA EL SENTIDO COMÚN Y NO SE TIENEN EN CUENTA LAS ADVERTENCIAS ANTERIORES, AUMENTA EL RIESGO DE SUFRIR LESIONES GRAVES. UTILÍCESE CON LA DEBIDA PRECAUCIÓN Y PRESTANDO LA DEBIDA ATENCIÓN PARA UN FUNCIONAMIENTO SEGURO.

¡CONSERVE ESTE MANUAL JUNTO A SU MINIMOTO! Consúltelo con frecuencia y utilícelo para instruir a otras personas que puedan utilizar este producto. Si presta este producto a otra persona, muéstrela dónde está guardado el manual para evitar un uso indebido del producto y posibles lesiones.

INTRODUCCIÓN

Felicitaciones por su elección de la EGO MINIMOTO de 56V de iones de litio. Ha sido diseñada y fabricada para ofrecerle la máxima fiabilidad y rendimiento.

Si experimenta algún problema que no pueda solucionar fácilmente, póngase en contacto con el centro de atención al cliente de EGO 877-346-9876 (877-EGO-ZTRM).

Este manual contiene información importante para el ensamblaje, funcionamiento y mantenimiento seguros de su producto. Léalo atentamente antes de utilizar el producto. Conserve este manual a mano para poder consultarlo en cualquier momento.

NÚMERO DE SERIE _____	FECHA DE COMPRA _____
DEBE ANOTAR EL NÚMERO DE SERIE Y LA FECHA DE COMPRA Y CONSERVARLOS EN UN LUGAR SEGURO PARA CONSULTARLOS EN EL FUTURO.	

ESPECIFICACIONES

⚠ ADVERTENCIA: Esta minimoto está diseñada y fabricada exclusivamente para su uso en vías todoterreno. Puede ser ilegal conducir esta minimoto en cualquier calle, carretera o autopista pública de su zona. Consulte la normativa local (estatal, municipal, etc.).

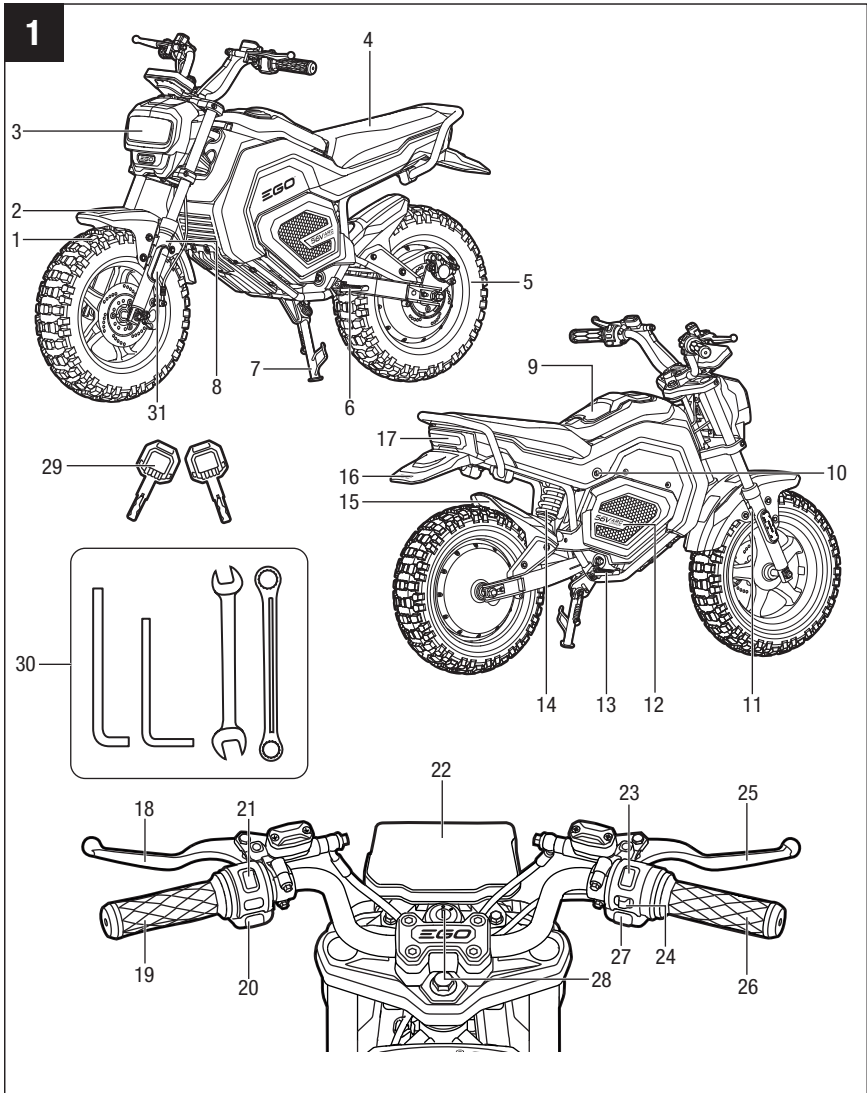
Tensión nominal	56V	
Tamaño (largo x ancho x alto)	61" x 39-3/8" x 28-17/64" (155 cm x 100 cm x 71.8 cm)	
Tamaño del aro	Frontal	12" (30.48 cm)
	Posterior	
Tamaño del neumático	Frontal	130/70-12
	Posterior	
Presión de los neumáticos en frío	Frontal	32 psi (220.6 kPa)
	Posterior	

Rango de velocidad	Adelante	ECO: Máx. 15 MPH (24 km/h)
		NORMAL: Máx. 20 MPH (32 km/h)
		SPORT: Máx. 28 MPH (44.8 km/h) *NOTA: Sólo disponible con el limitador de velocidad desconectado y con 10 Ah de capacidad de batería (por ejemplo, dos paquetes de baterías de 5.0 Ah) insertados.
	Reversa	≤2 MPH (3 km/h)
Autonomía [utilizando dos (2) baterías de 7.5 Ah]		20 millas (32 km) [en modo de conducción ECO] *NOTA: Sólo como referencia, los datos varían en función de las condiciones de conducción.
Capacidad máxima de pendiente		13°
Capacidad de asientos		1 persona
Capacidad de carga		220 lb (100 kg)
Temperatura de funcionamiento recomendada		41°F–104°F (5°C–40°C)
Temperatura de almacenamiento recomendada		-4°F–158°F (-20°C–70°C)
Peso (sin baterías)		148 lb (67 kg)
Grado de protección de entrada		IPX4* (Protección contra salpicaduras de agua)

***NOTA:** La clasificación IPX4 se basa en el uso conjunto de la minimoto y la batería como sistema.





DESCRIPCIÓN

CONOZCA SU MINIMOTO (Fig. 1)



1. Ensamblaje de la rueda delantera
2. Guardabarros de la rueda delantera
3. Faro delantero
4. Ensamblaje del asiento
5. Ensamblaje de la rueda trasera
6. Reposapiés izquierdo
7. Pie de apoyo
8. Amortiguador delantero izquierdo
9. Tapa del compartimento de las baterías
10. Bloqueo de batería y almacenamiento
11. Amortiguador delantero derecho
12. Compartimento de almacenamiento
13. Reposapiés derecho
14. Amortiguador posterior
15. Guardabarros de la rueda posterior
16. Guardabarros del faro posterior
17. Faro posterior
18. Palanca de freno posterior (izquierda)
19. Empuñadura del manubrio izquierdo
20. Bocina/Palanca de inversión
21. Botón de luces bajas/altas
22. Pantalla LCD
23. Selector de modo de conducción
24. Botón de control de la iluminación
25. Palanca de freno delantera (derecha)
26. Acelerador
27. Botón READY
28. Bloqueo de energía
29. Llaves
30. Kit de herramientas
31. Reflector lateral

Kit de herramientas

			
Llave hexagonal de 6 mm	Llave hexagonal de 5 mm	Llave de 8 mm/10 mm	Llave combinada 8 mm/10 mm

⚠ ADVERTENCIA: El kit de herramientas es sólo para montaje y desmontaje. Lleve inmediatamente la minimoto al servicio técnico para que la inspeccionen y reparen si es necesario. Póngase en contacto con el servicio de atención al cliente de EGO para obtener ayuda.

⚠ ADVERTENCIA: El uso seguro de este producto requiere la comprensión de la información que figura en el producto y en este manual del operador. Antes de utilizar este producto, familiarícese con todas las características de funcionamiento y las normas de seguridad.

Faro delantero/luz posterior

El faro delantero proporciona iluminación y visibilidad en condiciones de poca luz. La luz posterior permite ver la minimoto en la oscuridad. También se ilumina más al frenar.

Guardabarros de rueda delantera/Guardabarros de rueda posterior/ Guardabarros de conductor posterior

Evite que el agua y la suciedad salpiquen desde los neumáticos, cubran los faros delanteros y posteriores estropeen la ropa.

Reflectores laterales

Aumenta la visibilidad de la minimoto en condiciones de conducción oscuras.

Reposapiés izquierdo y derecho

Permita que el conductor coloque los pies para evitar que toquen el suelo durante la conducción. Ambos reposapiés se pueden plegar cuando no se utiliza la minimoto.



Pie de apoyo


Mantiene la minimoto en posición vertical cuando no se utiliza. Cuando la pata de cabra está bajada, también bloquea el sistema de propulsión para evitar el arranque accidental de la minimoto.

Amortiguador delantero izquierdo/Amortiguador delantero derecho/ Amortiguador posterior

Permiten que las ruedas absorban los impactos, ayudando a mantener los neumáticos en contacto con el suelo, aumentando el control del conductor y disminuyendo su fatiga.

Bloqueo de batería y almacenamiento (Fig. 1a)

Bloquee la batería y los compartimientos de almacenamiento. Introduzca una de las llaves y gírela hasta  para desbloquear el compartimento de las baterías. Gire la llave a  para desbloquear el compartimento de almacenamiento.

NOTA: Gire siempre la llave a  antes de cerrar el compartimento de almacenamiento.

Compartimento de almacenamiento (Fig. 1b)

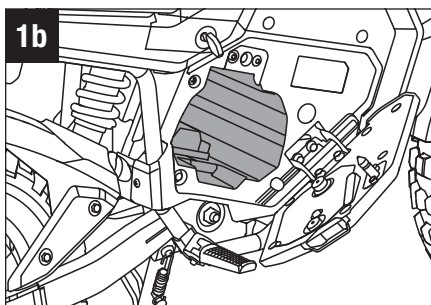
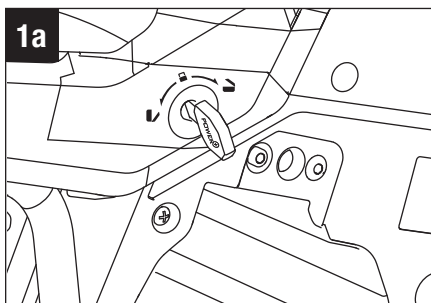
Almacena baterías de repuesto u otros elementos.

Palanca de freno posterior (izquierda)/Palanca de freno delantera (derecha)


Hay una palanca de freno en cada extremo del manubrio. La de la derecha es para accionar el freno delantero, y la de la izquierda del manubrio es para accionar el freno posterior.

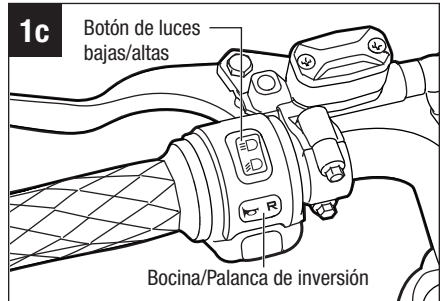
Manubrios

Los manubrios sirven para dirigir y controlar la minimoto.



Bocina/Palanca de inversión (Fig. 1c)

Mantenga pulsado el lado correspondiente del interruptor para hacer retroceder la minimoto **R** o para activar la bocina  para dar una advertencia.



Botón de luces bajas/altas (Fig. 1c)

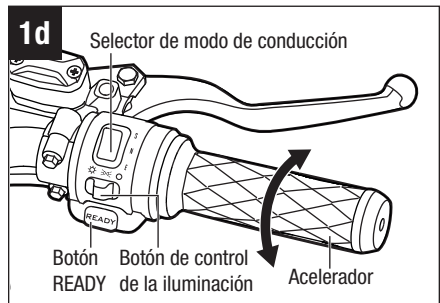
Pulse el botón para conmutar el faro delantero entre la luz baja  y la luz de carretera .

NOTA: La luz baja es de baja intensidad y alcanza una distancia más corta delante de la minimoto, mientras que la luz de carretera es de alta intensidad e ilumina una distancia mayor. No utilice las luces altas en condiciones de niebla.




Selector del modo de conducción (Fig. 1d)

Esta minimoto cuenta con tres modos de velocidad. “S” para el modo SPORT, “N” para el modo NORMAL y “E” para el modo ECO. Cada modo de conducción establece la velocidad máxima de conducción.

Elija un modo de conducción adecuado alternando el selector según las marcas que aparecen en él.



Botón de control de la iluminación (Fig. 1d)

Controla el sistema de iluminación de la minimoto. Deslice el interruptor hasta el ajuste deseado; todas las luces encendidas  / sólo la luz de marcha encendida  / todas las luces apagadas .

Acelerador (Fig. 1d)

Un controlador de velocidad situado en el extremo derecho del manubrio. Al girar el acelerador, la velocidad del motor aumenta, y al girarlo hacia atrás, la velocidad del motor disminuye. Permite ajustar la velocidad dentro del rango del modo de conducción seleccionado.

⚠ PELIGRO: Tenga cuidado con el uso del acelerador. Como principiante, no acelere demasiado. Empiece poco a poco hasta que entienda completamente cómo funciona. Practique en una zona abierta y segura para acostumbrarse a la aceleración de esta minimoto.

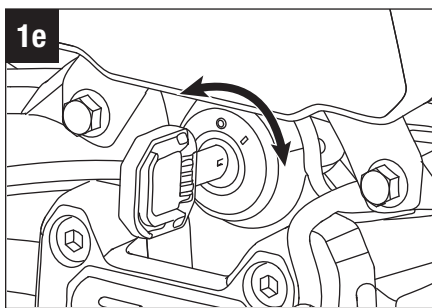
⚠ PELIGRO: Tenga cuidado al arrancar o acelerar. Una aceleración brusca puede hacer que las ruedas giren y patinen, provocando que la minimoto se deslice lateralmente.

Botón READY (Fig. 1d)

Pulse el botón para activar el sistema de control y dejar la minimoto lista para partir.

Bloqueo de alimentación (Fig. 1e)

Conecte (I) y desconecte (O) la alimentación de la minimoto. Inserte una de las llaves y gírela según las marcas situadas junto a la ranura de bloqueo para encender o apagar la minimoto.



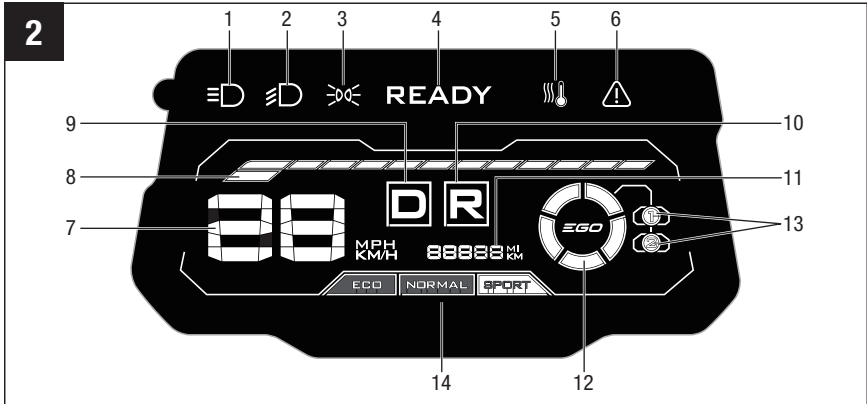
Kit de herramientas

Juego de herramientas para montaje y desembalaje de minimoto.

Llaves

Dos llaves idénticas que pueden bloquear y desbloquear tanto el bloqueo de la alimentación como el bloqueo de las baterías y el almacenamiento.

CONOZCA LOS ÍCONOS E INDICADORES DE LA PANTALLA LCD (Fig. 2)



- | | |
|----------------------------------|------------------------------------|
| 1. Ícono de luz de carretera | 8. Indicador de carga |
| 2. Ícono de luz baja | 9. Indicador de conducción |
| 3. Ícono de las luces de marcha | 10. Indicador de marcha atrás |
| 4. Ícono de READY | 11. Odómetro |
| 5. Indicador de alta temperatura | 12. Círculo medidor de combustible |
| 6. Indicador de avería | 13. Ícono de batería |
| 7. Velocímetro | 14. Modos de conducción |

Ícono de luz de carretera

Indica que el faro delantero está en luz de carretera.

Ícono de luz baja

Indica que el faro delantero está en luz baja.

Ícono de luces de marcha

Indica que las luces de marcha están activadas.

Ícono de READY

Indica el estado del sistema de accionamiento. El parpadeo indica que es necesario conectar el sistema de accionamiento. Sólido indica que el sistema de accionamiento está conectado.

Indicador intermitente de alta temperatura

Indica que se ha detectado un exceso de temperatura en la batería o en el motor de la minimoto.

Indicador intermitente de averías

Indica una avería que requiere una reparación inmediata.

Velocímetro

Muestra la velocidad actual de la minimoto.

Indicador de carga

Indica la carga que se aplica al motor.

NOTA: Las cargas más pesadas reducirán el rango del recorrido.

Indicador de marcha hacia adelante

Indica que el sistema de tracción está configurado para avanzar.

Indicador de marcha hacia atrás

Indica que el sistema de accionamiento está configurado para retroceder.

Odómetro

Muestra la distancia total recorrida.

Círculo medidor de combustible

Indica la capacidad media de carga de las baterías insertadas.

Ícono de batería

Indica los puertos de batería en uso.

Modos de conducción

Indica el modo de conducción seleccionado.

NOTA: El modo SPORT sólo puede activarse cuando el limitador de velocidad está desactivado y con capacidad de batería de 10 Ah (por ejemplo, dos paquetes de baterías de 5.0 Ah o paquetes de baterías de 2.5 Ah + 7.5 Ah) o superior.

ENSAMBLAJE

⚠ ADVERTENCIA: Si alguna pieza está dañada o ausente, no utilice esta minimoto hasta que las piezas hayan sido reemplazadas. El uso de esta minimoto con piezas dañadas o faltantes podría provocar lesiones personales graves.

⚠ ADVERTENCIA: No intente modificar este producto ni crear accesorios no recomendados para su uso con este producto. Cualquier alteración o modificación de este tipo constituye un uso indebido y podría provocar una situación peligrosa con posibles daños personales graves.

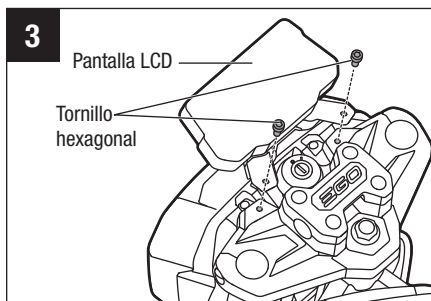
⚠ ADVERTENCIA: Para evitar un arranque accidental que podría causar lesiones personales graves, retire siempre la batería y las llaves del producto cuando esté ensamblando piezas, realizando tareas de mantenimiento, limpieza o cuando el producto no esté en uso.

LISTA DE EMBALAJE

NOMBRE DE LA PARTE	CANTIDAD
Minimoto	1
Llave	2
Kit de herramientas	1
Manual de operador	1

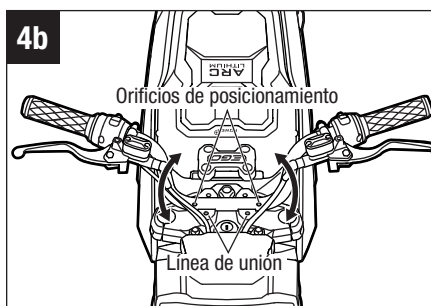
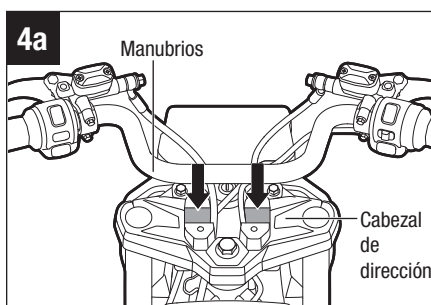
FIJACIÓN DE LA PANTALLA LCD AL CABEZAL DE DIRECCIÓN (Fig. 3)

- Asegúrese de retirar las baterías antes de ensamblar la pantalla LCD.
- Extraiga la pantalla LCD del embalaje y desenrosque los dos tornillos hexagonales M6 del cabezal de dirección utilizando la llave hexagonal de 5 mm (incluida en el kit de herramientas).
- Alinee los orificios de montaje de la pantalla LCD con los orificios de los tornillos del cabezal de dirección. Utilice los dos pernos y la llave hexagonal para fijar la pantalla. El torque requerido es de 6-7 pie-libra (8-10 N m). Se requiere una llave de torque (no incluida).

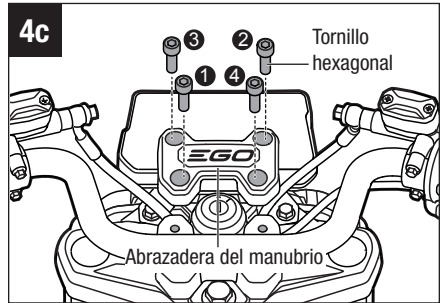


FIJACIÓN DEL ENSAMBLAJE DEL MANUBRIO AL CABEZAL DE DIRECCIÓN

- Asegúrese de retirar las baterías antes de ensamblar el manubrio.
- Alinee e inserte la parte moleteada (texturizada) del manubrio en la ranura del cabezal de dirección como se muestra en la Fig. 4a.
- Alinee los orificios de posicionamiento a ambos lados del conjunto del manubrio con la línea de unión entre la abrazadera del manubrio y el ensamblaje del manubrio (Fig. 4b).
- Instale a mano la abrazadera del manubrio con los cuatro tornillos Allen M8. **NOTA:** El logo "EGO" de la abrazadera del manubrio no puede estar al revés, de lo contrario no encajará.



- e. Gire el manubrio para ajustar la altura hasta que esté en una posición en la que el conductor pueda apoyar las manos en los puños del manubrio con los hombros relajados. Utilice la llave hexagonal de 6 mm (incluida en el juego de herramientas) para apretar a mano los pernos hasta que queden asentados en el contratablero. Utilizando la llave de torque (no incluida) apriete los cuatro tornillos a un torque de 15-16 pie-libra (20-22 N m) en el orden diagonal mostrado en la Fig. 4c.
- f. Dé al ensamblaje del manubrio un buen tirón hacia delante y hacia atrás para verificar que esté bien sujeto. Un manubrio suelto puede causar lesiones graves.



OPERACIÓN

⚠ ADVERTENCIA: No permita que la familiaridad con este producto lo haga descuidado. Recuerde que una fracción de segundo de descuido es suficiente para infligir lesiones graves o la muerte.

⚠ ADVERTENCIA: Utilice un casco, gafas, guantes y botas certificados por el DOT (Departamento de Transporte) para reducir el riesgo de posibles lesiones.

⚠ ADVERTENCIA: No utilice ningún accesorio no recomendado por el fabricante de este producto. El uso de implementos o accesorios no recomendados puede provocar lesiones personales graves o la muerte.

⚠ ADVERTENCIA: Para evitar un arranque accidental, retire siempre las baterías y las llaves de la minimoto antes de limpiarla, estacionarla, mantenerla y guardarla.

Antes de cada uso, realice una inspección previa a la conducción. Ver capítulo “Inspección previa a la conducción”.

APLICACIONES

Puede utilizar este producto para los fines indicados a continuación:

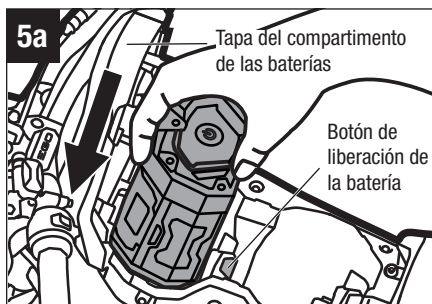
- Conducción de ocio en todoterreno.

INSTALACIÓN/EXTRACCIÓN DE LA BATERÍA

NOTA: El círculo del indicador de combustible de la pantalla LCD indica el nivel de carga de la batería (Fig. 2). El círculo parpadeará cuando la carga de la batería esté próxima a agotarse. Cargue completamente la(s) batería(s) antes de cada uso.

Para instalar la batería (Fig. 5a)

- a. Inserte la llave en la cerradura del compartimento de la batería y gírela en el sentido de las agujas del reloj para desbloquear el compartimento de las baterías.

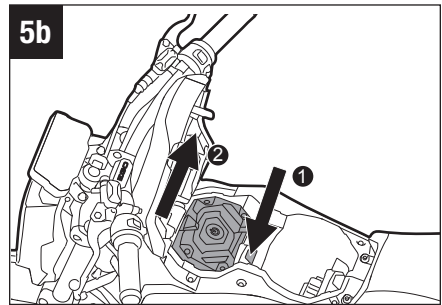


- b. Sujete el manubrio recto y abra la tapa del compartimento de las baterías.
- c. Alinee los ribetes de la batería con las ranuras de montaje de uno de los puertos de batería de la minimoto.
- d. Deslice la batería en el puerto de la batería y presiónela hasta que el botón de liberación de la batería salte hacia arriba y la batería encaje en su posición.
- e. Repita el proceso para instalar la segunda batería.
- f. Presione la tapa del compartimento de las baterías hacia abajo para cerrarla.
- g. Gire la llave en el sentido contrario a las agujas del reloj para bloquear el compartimento de las baterías y extraer las llaves.

NOTA: Si sólo hay una batería instalada, sólo estará disponible el modo de conducción ECO.

Para extraer la batería (Fig. 5b)

⚠ ADVERTENCIA: Tenga siempre en cuenta la ubicación de sus pies y de los niños o mascotas a su alrededor cuando extraiga la batería. La batería es pesada y puede provocar lesiones graves si se cae.



- a. Inserte la llave en la cerradura del compartimento de la batería y gírela en el sentido de las agujas del reloj para desbloquear el compartimento de las baterías.
- b. Abra la tapa del compartimento de las baterías.
- c. Presione el botón de liberación de la batería hacia abajo y la batería se desenganchará del pestillo y saltará ligeramente hacia arriba.

⚠ ADVERTENCIA: Para evitar que la batería expulsada golpee sus dedos, manténgalos alejados de la batería cuando pulse el botón de liberación de la batería.

- d. Sujete las baterías y extráigalas del puerto de baterías.
- e. Presione la tapa del compartimento de las baterías hacia abajo para cerrarla.
- f. Gire la llave en el sentido contrario a las agujas del reloj para bloquear el compartimento de las baterías y extraer las llaves.

LIMITADOR DE VELOCIDAD

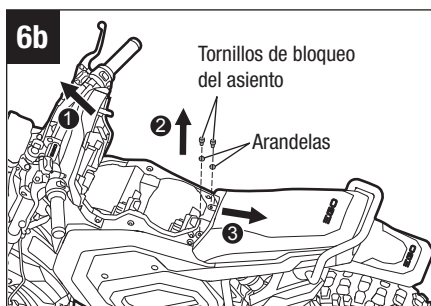
El limitador de velocidad está diseñado para limitar la velocidad de conducción de la minimoto con el fin de reducir el riesgo y la gravedad de las lesiones de los conductores inexpertos.

Cuando el limitador de velocidad está activado, el modo SPORT no está disponible. Si un conductor intenta activar el modo SPORT, el recuadro alrededor del ícono "SPORT" en la pantalla LCD parpadeará tres veces y luego se apagará (Fig. 6a).

AVISO: El limitador de velocidad viene ajustado de fábrica en ON por defecto.

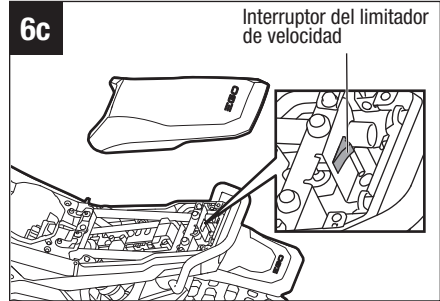
Para activar o desactivar el limitador de velocidad:

- Inserte la llave en la cerradura del compartimento de la batería y gírela en el sentido de las agujas del reloj para desbloquear el compartimento de las baterías.
- Sujete el manubrio recto y abra la tapa del compartimento de las baterías (Fig. 6b).
- Afloje los dos tornillos hexagonales M6 de bloqueo del asiento y las arandelas con la llave hexagonal de 5 mm (incluida en el kit de herramientas). A continuación, empuje el ensamblaje del asiento hacia la parte posterior de la minimoto para extraerlo.
- Gire el interruptor del limitador de velocidad a la posición ON (I) u OFF (O) (Fig. 6c) y vuelva a instalar el conjunto del asiento siguiendo los pasos anteriores en el orden inverso.



AVISO: Apriete los tornillos a un torque de 6-7 pie-libra (8-10 N m) para evitar que se aflojen.

⚠ ADVERTENCIA: Mantenga siempre el interruptor del limitador de velocidad en la posición ON cuando un conductor inexperto maneje la minimoto.



INSPECCIÓN PREVIA A LA CONDUCCIÓN

Comprobar antes de montar

Es importante comprobar el estado de la minimoto antes de cada conducción. La lista de comprobación previa a la salida le ayudará a reducir la posibilidad de lesiones o problemas causados por averías mecánicas y a garantizar que su minimoto esté en buenas condiciones de funcionamiento antes de cada conducción.

Lista de comprobación previa a la salida

Ítem	Comprobaciones	Busque	Marcado	
Revisión alrededor				
Visual	Condición	Daños evidentes, piezas ausentes, fugas		
Montaje de las ruedas				
Neumáticos	Estado de los neumáticos	Profundidad de la rodadura, desgaste, efectos de la intemperie, puntos planos, objetos incrustados	Frontal	Posterior
	Presión	Comprobar a temperatura ambiente, ajustar en función de la carga	Frontal	Posterior
Ruedas	Estado de los aros	Grietas, abolladuras, deformación	Frontal	Posterior
	Estado de los rodamientos	Sin holgura (ver inspección de ruedas)	Frontal	Posterior
	Estado de los sellos	Grietas, cortes o desgarros, exceso de grasa en el exterior	Frontal	Posterior

Frenos	Función de frenado	Cada freno por sí solo evita que la minimoto ruede	Frontal	Posterior
	Estado de los frenos	Desgaste, daños y contaminación	Frontal	Posterior
Bastidor y suspensión				
Bastidor	Condición	Grietas en fuelles y soldaduras. Busque pintura que se esté levantando		
	Rodamiento del cabezal de dirección	Rotación suave, comprobar si hay holgura (ver inspección del rodamiento de dirección)		
Suspensión	Horquillas delanteras	Desplazamiento suave, amortiguación uniforme	Izquierda	Derecha
	Amortiguador posterior	Desplazamiento suave, el varillaje se mueve libremente		
Pie de apoyo	Condición	Grietas, dobleces		
	Función	Cuando el sistema de accionamiento está bloqueado		
Reposapiés	Condición	Grietas, dobleces	Izquierda	Derecha
	Retención	Clip de retención presente	Izquierda	Derecha
Sujetadores	Roscado	Tornillos y tuercas apretados, ausentes		
	Clips	Roto, ausente		
Controles				
Palancas	Estado de la palanca	Roto, doblado, agrietado, montado de forma segura	Izquierda	Derecha
	Pivote	Lubricado	Izquierda	Derecha
	Función	Moverse libremente	Izquierda	Derecha
Acelerador	Función	Se mueve suavemente, retorna inmediatamente		
Mangueras	Estado de la manguera	Cortes, grietas, fugas, abultamientos, rozaduras, deterioro	Izquierda	Derecha

Luces				
Faro delantero	Condición	Grietas, bien montadas, limpias		
	Apunte	Centrado y altura		
	Función	Funcionamiento de las luces de carretera y bajas		
Luz trasera/Luz de freno	Condición	Grietas, bien montadas, limpias		
	Función	La luz de marcha se ilumina cuando se enciende. La luz de freno se activa cuando se utiliza cualquiera de las dos palancas de freno.		
Reflectores	Condición	Agrietado, roto, montado de forma segura	Izquierda	Derecha
Líquido de frenos				
Depósito de líquido para frenos	Rellene	Más de 1/4 lleno	Izquierda	Derecha

Detalles del control previo a la conducción

Componente	Acción
Inspección visual	<ul style="list-style-type: none"> ■ Inspeccione visualmente la minimoto en busca de piezas ausentes o dañadas. Inspeccione el suelo por debajo del cable de freno en busca de fugas de líquido.
Luces y reflectores	<ul style="list-style-type: none"> ■ Compruebe que todas las luces estén funcionales. Se deben encender tanto la luz baja como la de carretera. La luz posterior se ilumina al encenderse y su intensidad aumenta al accionar cualquiera de los frenos. ■ Compruebe si hay grietas en la lente y los reflectores. Si se detectan, haga reparar los elementos dañados. Póngase en contacto con el servicio de atención al cliente de EGO para obtener ayuda. ■ Limpie todas las luces y reflectores.

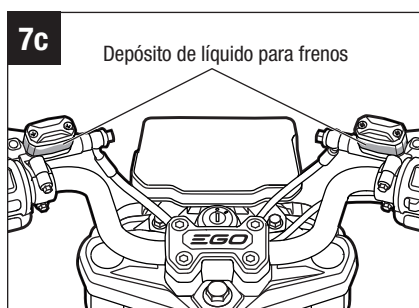
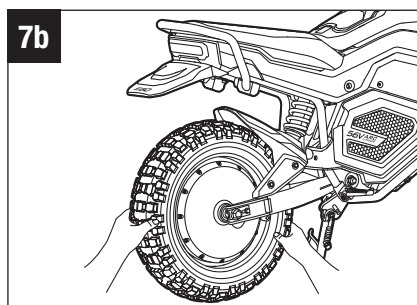
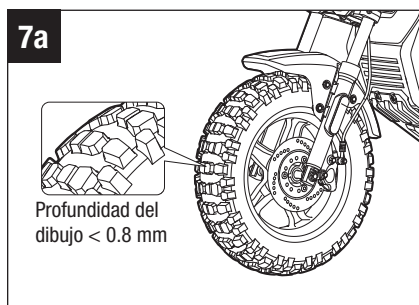
Componente	Acción
Neumáticos	<ul style="list-style-type: none">■ Utilice un manómetro (no incluido) para comprobar la presión de los neumáticos. Llene hasta 32 psi (220.6 kPa), si es necesario.■ Inspeccione los neumáticos en busca de desgaste y daños: cortes, pinchazos o grietas provocadas por el clima. Cuando el neumático esté desgastado y la profundidad del dibujo sea inferior a 1/32" (0.8 mm) (ver Fig. 7a), póngase en contacto con el Servicio de Atención al Cliente de EGO para su reemplazo.
Ruedas	<ul style="list-style-type: none">■ Asegúrese que la rueda esté bien sujeta y equilibrada. Sujete un neumático aproximadamente en la posición de las 3 y las 9 en punto del neumático y aplique un movimiento de torsión a la rueda (véase la Fig. 7b). No debe haber holgura ni deslizamiento al girar la rueda. En el caso de la rueda delantera, una segunda persona debe mantener firme el manubrio mientras la otra persona comprueba que la rueda no tenga holgura del modo descrito anteriormente. Si observa algún movimiento, lleve inmediatamente la minimoto al servicio técnico. Póngase en contacto con el servicio de atención al cliente de EGO para obtener ayuda. <p>Después de la inspección previa a la conducción, pruebe la minimoto en una zona abierta y segura para evaluar si las ruedas presentan holguras o vibraciones. Si se detecta un exceso de holgura o vibraciones, lleve la minimoto al servicio técnico. Póngase en contacto con el servicio de atención al cliente de EGO para obtener ayuda.</p>
Radios y aros	<ul style="list-style-type: none">■ Examine toda la llanta en busca de grietas, abolladuras y otros daños. Si se detectan daños, reemplace las llantas antes de volver a utilizar la minimoto.

Componente	Acción
Tornillos y tuercas	<ul style="list-style-type: none"> ■ Utilice las llaves incluidas para asegurarse de que todos los sujetadores no críticos están apretados: <ul style="list-style-type: none"> - Pernos de montaje de la carcasa del faro delantero. - Tornillos de montaje de la carcasa del faro posterior. - Pernos de montaje de la carcasa de la pantalla LCD. - Pernos de montaje de la aleta de barro. ■ Si se detecta que algún otro sujetador está suelto, póngase en contacto con el servicio de atención al cliente de EGO para su mantenimiento.
Manubrio	<ul style="list-style-type: none"> ■ Compruebe que el manubrio esté bien sujeto.
Acelerador	<ul style="list-style-type: none"> ■ Compruebe el movimiento del acelerador: gire el acelerador completamente hacia atrás y suéltelo. El movimiento del acelerador debe ser suave y volver inmediatamente a la posición inicial. Si el acelerador no responde, póngase inmediatamente en contacto con el Servicio de Atención al Cliente de EGO para su mantenimiento.
Palancas de freno	<ul style="list-style-type: none"> ■ Compruebe que las dos palancas de freno estén montadas rígidamente en el manubrio y que no haya señales de que se hayan aflojado los tornillos. Si se observa aflojamiento, haga revisar inmediatamente las palancas de freno. Póngase en contacto con el servicio de atención al cliente de EGO para obtener ayuda. ■ Verifique que las palancas se retraigan y se liberen libre e inmediatamente sin vacilación. Si hay algún problema con el movimiento de la palanca, lleve la minimoto al servicio técnico inmediatamente. Póngase en contacto con el servicio de atención al cliente de EGO para obtener ayuda.

Componente	Acción
<p>Almohadillas de freno y rotores</p>	<ul style="list-style-type: none"> ■ Verifique que el agarre de la palanca de freno engrane la pinza en el rotor de freno antes de que la palanca alcance $\frac{3}{4}$ del recorrido. Repita esta operación para cada palanca de freno. Si al presionar la palanca la pinza no entra en contacto con el rotor, lleve la minimoto al servicio técnico inmediatamente. Póngase en contacto con el servicio de atención al cliente de EGO para obtener ayuda. ■ Colóquese a horcajadas sobre la minimoto y apóyela en posición vertical. Compruebe el nivel del líquido en el depósito de líquido para frenos (Fig. 7c). Si el depósito de líquido está $\frac{3}{4}$ vacío, lleve la minimoto a mantenimiento. Póngase en contacto con el servicio de atención al cliente de EGO para obtener ayuda. ■ Inspeccione los conductos de los frenos en busca de fugas de líquido. Si se encuentra, haga revisar la minimoto. Póngase en contacto con el servicio de atención al cliente de EGO para obtener ayuda. ■ Inspeccione las almohadillas de freno en busca de desgastes, daños o contaminación. Las almohadillas de freno con un espesor inferior a $\frac{1}{16}$" (1.5 mm) deben reemplazarse. Verifique que no haya grietas, vidriado o desgaste desigual de las almohadillas de freno. Si se detecta desgaste, daños o suciedad, lleve la minimoto a mantenimiento. Póngase en contacto con el servicio de atención al cliente de EGO para obtener ayuda. ■ Inspeccione los rotores de freno en busca de desgastes, daños o contaminación. Si se detectan alabeos, grietas o un desgaste excesivo, lleve la minimoto a mantenimiento. Póngase en contacto con el servicio de atención al cliente de EGO para obtener ayuda. Si se detecta contaminación, limpie los rotores con limpiador de frenos. <p>Tras la inspección previa a la conducción, pruebe los frenos conduciendo la minimoto en una zona abierta y segura para evaluar el rendimiento de frenado. Busque ruidos y vibraciones anormales. Si se detecta, lleve la minimoto a revisión. Póngase en contacto con el servicio de atención al cliente de EGO para obtener ayuda.</p> <p>NOTA: Un ruido chirriante que se escucha al accionar los frenos durante las pruebas o en recorridos normales es un indicador de que las pastillas de freno y/o los rotores necesitan mantenimiento.</p>

Componente	Acción
Estructura	<ul style="list-style-type: none"> ■ Inspeccione el bastidor y la horquilla delantera en busca de grietas en las soldaduras y/o flexiones en la estructura. ■ Inspeccione la horquilla delantera. Busque la presencia de aceite en el tubo exterior de la suspensión. Si está presente, no monte la minimoto. Llévelo inmediatamente al servicio técnico. Póngase en contacto con el servicio de atención al cliente de EGO para obtener ayuda. ■ Inspeccione el amortiguador posterior. Busque la presencia de aceite en el tubo exterior del amortiguador. Compruebe que el amortiguador no está desconectado ni funcione mal. Si se detecta aceite, el amortiguador está desconectado del cuadro o funciona mal, lleve la minimoto al servicio técnico. Póngase en contacto con el servicio de atención al cliente de EGO para obtener ayuda. ■ Limpie los tubos de la horquilla para eliminar insectos, alquitrán o cualquier acumulación que pudiera provocar el desgaste de los sellos y fugas. ■ Inspeccione la superficie exterior de la horquilla interior en busca de rayones y daños causados por objetos extraños. Si detecta rayones y/o daños, lleve su minimoto a mantenimiento. Póngase en contacto con el servicio de atención al cliente de EGO para obtener ayuda. ■ Ponga a prueba su suspensión. Colóquese a horcajadas sobre la minimoto y llévela a posición vertical. Para la suspensión delantera, accione el freno delantero y empuje con fuerza hacia abajo el manubrio varias veces. La suspensión debe funcionar de forma suave y silenciosa. ■ Ajuste el hundimiento delantero y posterior de la minimoto en función del peso del conductor. Debe realizarlo un técnico certificado. Póngase en contacto con el servicio de atención al cliente de EGO para obtener ayuda. ■ Después de la inspección previa a la conducción, monte su minimoto en una zona abierta y segura para evaluar cualquier problema de alineación. Si se detecta que la minimoto ha sido revisada. Póngase en contacto con el servicio de atención al cliente de EGO para obtener ayuda.
Baterías	Asegúrese que el nivel de carga sea suficiente para completar el recorrido.

⚠ PRECAUCIÓN: Si hay algún problema con alguno de los elementos enumerados anteriormente, póngase en contacto con el servicio de atención al cliente de EGO para su ajuste, mantenimiento y reemplazo.



ARRANQUE/DETENCIÓN DE LA MINIMOTO

⚠ ADVERTENCIA:

- El pie de apoyo debe replegarse antes de circular para evitar que la minimoto vuelque al girar o al encontrar obstáculos que puedan causar lesiones al conductor.
- Compruebe si los sistemas de freno delantero y posterior funcionan correctamente. Si hay algún problema, póngase en contacto con el servicio de atención al cliente de EGO para su reparación inmediata.
- No cuelgue objetos del manubrio mientras conduzca. Esto puede afectar al control sobre la minimoto y provocar lesiones.
- Sea siempre consciente de lo que le rodea y no se deje llevar por la idea de centrarse en las funciones en lugar de mirar por delante de la carretera.

El aspecto más básico para aprender a conducir una minimoto es comprender los controles y características principales de la misma. Familiarícese con los controles de la minimoto en la sección **“CONOZCA SU MINIMOTO”** antes de ponerla en marcha. Aprende a localizar y utilizar los mandos sin mirarlos. No tendrá tiempo de buscar los mandos mientras conduce.

Para arrancar la minimoto

- a. Instale las baterías.
- b. Siéntese en la minimoto.
- c. Introduzca la llave en el contacto y gírela en el sentido de las agujas del reloj pasando de la posición OFF “O” a la posición ON “I”. La pantalla LCD se iluminará.
- d. Sujete el manubrio con ambas manos, enderece la minimoto y pliegue/repliegue el pie de apoyo. **NOTA:** Aparecerá el recuadro alrededor del icono “D” y el icono “READY” empezará a parpadear, lo que indica que es necesario enganchar el sistema de accionamiento.
- e. Seleccione el modo de conducción: ECO, NORMAL o SPORT. Consulte el capítulo **“LIMITADOR DE VELOCIDAD”** para activar el modo SPORT.
- f. Despliegue los reposapiés con sus pies. Con un pie en el suelo y el pie opuesto en el reposapiés para mantener el equilibrio, encienda el faro delantero (luces altas o bajas, en función de la iluminación ambiental).
- g. Pulse el botón “READY” para activar el sistema de accionamiento. El icono de “READY” aparece ahora fijo.

NOTA: Si el conductor no arranca la minimoto en el plazo de 1 minuto después de pulsar el botón READY, el icono “READY” se apagará y la minimoto volverá al estado en el que se encontraba en el paso f.

- h. Gire suavemente el acelerador para propulsar la minimoto hacia delante. El velocímetro mostrará la velocidad de conducción actual. Cuando la velocidad de conducción sea inferior a 2 MPH (3 km/h), el icono de LISTO permanecerá iluminado. En cuanto la velocidad alcance o supere los 2 MPH (3 km/h), el icono de “READY” se apagará.

NOTA: Para hacer funcionar la minimoto en marcha atrás, siga las instrucciones del paso a al paso g. A continuación, pulse la “R” del interruptor de bocina/retroceso y manténgala pulsada. El ícono “D” desaparecerá y en la pantalla aparecerá un ícono “R” fijo y la minimoto empezará a moverse hacia atrás.

⚠ ADVERTENCIA: Para evitar lesiones, esté siempre atento a su entorno cuando dé marcha atrás con la minimoto.

⚠ PELIGRO: Un giro rápido del acelerador produce una aceleración instantánea: la minimoto podría moverse de repente, haciéndole perder el control o caer de la minimoto. ¡El incumplimiento de estas instrucciones puede causar lesiones graves!

⚠ ADVERTENCIA: Cuando necesite frenar o cambiar de modo de conducción, suelte siempre el acelerador antes de realizar otras operaciones.

NOTA: Asegúrese de utilizar ambos frenos para un rendimiento óptimo.

Para detener la minimoto

Suelte el acelerador. Apriete a la vez los frenos de mano delantero y posterior.

Las palancas de freno también funcionan como un interruptor de apagado del motor, cortando la alimentación al motor cada vez que se accionan. En caso de emergencia, cuando el acelerador se atasca en la posición de encendido, para detener la minimoto de forma segura:

- Apriete ambas palancas de freno para detenerse de forma controlada.
- Mientras aprieta una de las palancas de freno con una mano, utilice la otra para agarrar la llave y apagar la minimoto.
- Desmonte la minimoto. No la monte hasta que haya sido revisada. Póngase en contacto con el servicio de atención al cliente de EGO inmediatamente.

Precauciones después de montar

- La minimoto puede apoyarse en el pie de apoyo sobre suelo sólido y plano.
- Después de usarla, pliegue los reposapiés con el pie, baje el pie de apoyo, apárquela, desconecte la corriente y retire la llave.
- Compruebe si la batería tiene carga suficiente para su próximo viaje.

MANTENIMIENTO

⚠ ADVERTENCIA: Antes de revisar, limpiar, realizar cualquier tarea de mantenimiento o cuando el producto no esté en uso, estacione la minimoto en una superficie nivelada, apáguela y retire las baterías y las llaves para evitar un arranque accidental y posibles lesiones personales graves.

⚠ ADVERTENCIA: Encargue el mantenimiento de su minimoto a un técnico debidamente capacitado y equipado que utilice únicamente repuestos idénticos. Esto garantizará que se mantenga la seguridad de la minimoto. El uso de cualquier otra pieza puede crear un peligro o causar daños al producto.

NOTA: Si usted es un técnico calificado con el equipo adecuado, puede ponerse en contacto con el servicio de atención al cliente de EGO para obtener una copia de las instrucciones de mantenimiento.

El mantenimiento y las revisiones son imprescindibles para garantizar la seguridad de funcionamiento, el rendimiento y evitar averías durante la conducción. Es responsabilidad del propietario mantener y revisar la minimoto según sea necesario. Las inspecciones previas a la conducción y el mantenimiento rutinario son obligatorios y contribuyen a lograr una conducción segura.

PROGRAMA DE MANTENIMIENTO RECOMENDADO

Además de las inspecciones previas a la conducción, también es necesario un mantenimiento y una reparación periódicos. El primer mantenimiento debe realizarse en el segundo mes tras la compra. Después, se recomienda realizar una inspección y mantenimiento exhaustivos en el Servicio de Atención al Cliente de EGO cada tres meses para evaluar el rendimiento de la minimoto. Los elementos de mantenimiento se muestran en la siguiente tabla:

Elemento	Nivel de mantenimiento	Frecuencia					
		Cada semana	A mitad de mes	Cada mes	Cada 2 meses	Cada 3 meses	Reemplazar con regularidad
Operación del acelerador	General					i	
Líquido de frenos	Técnico				i		

Almohadillas de freno	Técnico		i				menos de 1/16" (1.5 mm) de grosor
Sistema de frenos	Técnico					i	
Luces traseras y de freno	General					i	
Faro delantero	General					i	
Kickstand	General					i	
Pie de apoyo	Técnico					l	
Ruedas/ neumáticos	Técnico	i					Ruedas: 1 año o 6000 km
							Neumáticos: tienen grietas o la profundidad de la banda de rodadura es inferior a 1/32" (0.8 mm).
Rodamiento del cabezal de dirección	Técnico					l	
Tuercas, pernos y sujetadores	General					i	

Generalidades - Se recomienda que el mantenimiento lo realice un técnico capacitado y equipado, a menos que se disponga de los conocimientos mecánicos necesarios.

Técnico - Por seguridad, es mejor que la minimoto sea revisada por un técnico capacitado y equipado.

i - Inspeccionar (limpiar, lubricar o reemplazar, si es necesario)

c - Limpiar

l - Lubricar

r - Reemplazar

Para operaciones detalladas de inspección y mantenimiento, póngase en contacto con el Servicio de Atención al Cliente de EGO.

MANTENIMIENTO GENERAL

Para esta minimoto todos los sistemas críticos; frenos, bastidor, suspensión y acelerador, deben ser revisados por un técnico capacitado y equipado. El cliente puede encargarse del mantenimiento de los elementos sujetadores no críticos y de la lubricación.

Lubrique el sello de la suspensión delantera según sea necesario. En ambientes secos y polvorientos, el período de lubricación será más corto.

Lubrique todos los pivotes según sea necesario:

- Pivotes de la palanca de freno.
- Pivotes del reposapiés.
- Pivote del pie de apoyo lateral.
- Acelerador

Vuelva a apretar los sujetadores sueltos en los sistemas no críticos:

- Pernos de montaje de la carcasa del faro delantero.
- Tornillos de montaje de la carcasa del faro posterior.
- Pernos de montaje de la carcasa de la pantalla LCD.
- Pernos de montaje de la aleta de barro.

El programa de mantenimiento proporciona los requisitos de mantenimiento para garantizar el uso seguro de la minimoto. Lleve un registro de los servicios de mantenimiento.

LIMPIEZA

⚠ ADVERTENCIA: No permita en ningún momento que líquidos de frenos, gasolina, productos derivados del petróleo, aceites penetrantes, etc., entren en contacto con las piezas de plástico. Los productos químicos pueden dañar, debilitar o destruir el plástico, lo que puede provocar lesiones personales graves.

- Evite utilizar disolventes para limpiar las piezas de plástico. La mayoría de los plásticos son susceptibles de sufrir daños por el uso de diversos tipos de disolventes comerciales. Utilice un paño limpio para eliminar la suciedad, el polvo, el aceite, la grasa, etc. El rociador repelente de insectos puede dañar las superficies de plástico y pintadas. No rocíe repelente de insectos cerca de la minimoto.

- La exposición prolongada a la luz solar puede dañar algunas superficies.
- Si la minimoto se deja accidentalmente al aire libre bajo la lluvia, utilice un paño seco para secar el asiento, el acelerador, etc., antes de volver a ponerla en marcha o guardarla.

⚠ ADVERTENCIA: Retire siempre las llaves y las baterías de la minimoto antes de limpiarla.

- No inunde con agua el compartimento de la batería ni los componentes eléctricos. No vierta agua directamente en el compartimento de almacenamiento. Cuando limpie la minimoto, pásele una toalla húmeda después de escurrir el agua.
- No vierta agua directamente sobre los frenos, los motores y los ejes delantero y posterior porque puede entrar agua y acortar la vida útil de los componentes.
- Queda terminantemente prohibido lavar la minimoto directamente con un chorro de agua fuerte. Las piezas eléctricas pueden dañarse o averiarse.
- Limpie la minimoto con agua clara y detergente neutro. Utilice un paño suave para secar la minimoto después de lavarla para evitar que se raye.

⚠ ADVERTENCIA: Asegúrese de que el compartimento de las baterías esté seco después de cada limpieza para evitar el riesgo de descarga eléctrica y daños en la minimoto.

COMPROBAR LA PRESIÓN DE LOS NEUMÁTICOS

Compruebe la presión de aire en ambos neumáticos antes de usarlos. Una presión de aire inadecuada afectará la maniobrabilidad, la respuesta de la dirección, la tracción, la vida útil de los neumáticos y la comodidad del conductor. Asegúrese que los neumáticos estén inflados a la presión indicada en la tabla “**ESPECIFICACIONES**” anterior. Asegúrese que los tapones estén bien apretados después de inflar los neumáticos.

AVISO: La presión de los neumáticos sólo debe medirse o ajustarse cuando estén fríos.

⚠ ADVERTENCIA: Compruebe cuidadosamente la presión de los neumáticos al inflarlos. Demasiado aire en el neumático puede hacer que éste reviente, causando graves lesiones personales.

⚠ ADVERTENCIA: Mantener una presión de aire correcta en los neumáticos es muy importante. Una presión demasiado baja puede hacer que el neumático se salga de la llanta. Un exceso de presión podría reventar el neumático. Si no se mantiene una presión de aire correcta en los neumáticos, podrían producirse problemas de estabilidad en la conducción, causando lesiones personales graves.

INSPECCIÓN Y MANTENIMIENTO DE LOS NEUMÁTICOS

Compruebe si hay grietas o signos visibles de daños en los neumáticos. También es un buen momento para retirar los restos incrustados en los neumáticos, como piedrecitas, fragmentos de cristal o tornillos.

Cuando los neumáticos estén desgastados o dañados, o las marcas de desgaste de la banda de rodadura no sean visibles, póngase en contacto con el Servicio de Atención al Cliente de EGO para su reemplazo.



⚠ PRECAUCIÓN: Si no dispone de herramientas mecánicas o instrumentos de medición especiales, póngase en contacto con el servicio de atención al cliente de EGO para su inspección y reemplazo. No desmonte la minimoto antes de dominar la tecnología, para evitar dañar otras piezas.

ALMACENAMIENTO

- Apague la minimoto, retire las llaves y las baterías antes de guardarla.
- Limpie a fondo la minimoto. Consulte el capítulo “LIMPIEZA” como referencia.
- Inspeccione la minimoto en busca de piezas desgastadas o dañadas y apriete las tuercas o tornillos que puedan haberse aflojado.
- Guarde la minimoto en un lugar seco, limpio, cubierto y cerrado, fuera del alcance de los niños. No lo almacene junto a materiales corrosivos, como fertilizantes o sal gema.

SOLUCIÓN DE PROBLEMAS

PROBLEMA	CAUSA	SOLUCIÓN
El motor no funciona.	<ul style="list-style-type: none"> ■ Las baterías no están fijadas (correctamente) a la minimoto. ■ No hay contacto eléctrico entre los componentes eléctricos y las baterías. ■ La carga de la batería está agotada. ■ Las baterías o la minimoto están demasiado calientes. ■ El pie de apoyo no está retraído. ■ No se pulsa el botón READY antes de girar el acelerador. 	<ul style="list-style-type: none"> ■ Acople correctamente las baterías a la minimoto. ■ Retire las baterías, compruebe los contactos y vuelva a instalarlas. ■ Cargue las baterías. ■ Tómese un descanso, retire las baterías y deje que se enfríen las baterías y la minimoto. ■ Retraiga el pie de apoyo antes de conducir o dar marcha atrás. ■ Pulse el botón READY situado junto al manubrio derecho antes de girar el acelerador.
La minimoto circula despacio o funciona por corto tiempo.	<ul style="list-style-type: none"> ■ Las baterías no están completamente cargadas. ■ Baterías viejas o dañadas. ■ Neumáticos poco inflados. ■ La carga de la minimoto supera su capacidad. 	<ul style="list-style-type: none"> ■ Cargue las baterías. ■ Reemplace las baterías. ■ Infle los neumáticos a 32 psi (220.6 kPa) cuando estén fríos. ■ Mantenga la carga de la minimoto dentro de las 220 lb. (100 kg)

PROBLEMA	CAUSA	SOLUCIÓN
No se puede utilizar el modo SPORT.	<ul style="list-style-type: none"> ■ Batería de bajo Ah utilizada. ■ El limitador de velocidad está activado. 	<ul style="list-style-type: none"> ■ Utilice dos paquetes de baterías de 5.0 Ah o más. ■ Apague el interruptor del limitador de velocidad. Consulte el capítulo "LIMITADOR DE VELOCIDAD".
La minimoto derrapa al circular.	<ul style="list-style-type: none"> ■ Avería de los frenos o distancia de frenado prolongada. ■ Neumáticos desgastados o incorrectos. ■ Los neumáticos están muy poco o demasiado inflados. ■ Conducir sobre una superficie resbaladiza. 	<ul style="list-style-type: none"> ■ Inspeccione la carrera libre del freno, la línea de freno, el desgaste del disco de freno y póngase en contacto con el Servicio de Atención al Cliente de EGO para su reparación. ■ Póngase en contacto con el Servicio de Atención al Cliente de EGO para su reemplazo. ■ Infle o desinfla los neumáticos cuando estén fríos hasta que la presión de los neumáticos sea de 32 psi (220.6 kPa). ■ Reduzca la velocidad, deténgase lo antes posible, salga de la zona resbaladiza con cuidado y evite volver a entrar en ella.
Las luces bajas y de carretera no pueden encenderse.	<ul style="list-style-type: none"> ■ El sistema de control de iluminación no está en "todas las luces encendidas". 	<ul style="list-style-type: none"> ■ Pulse el botón de control del alumbrado en  (todas las luces encendidas) antes de activar las luces cortas y largas.
El compartimiento de almacenamiento no puede cerrarse.	<ul style="list-style-type: none"> ■ El compartimiento de almacenamiento no está bloqueado. 	<ul style="list-style-type: none"> ■ Gire la llave a  antes de cerrar el compartimiento de almacenamiento.

REFERENCIA DEL CÓDIGO DE FALLAS

El sistema informático de a bordo tomará medidas para proteger al operador y a la minimoto cuando detecte un problema. Cuando actúe para apagar la minimoto o un componente, indicará que se ha producido un fallo, el velocímetro de la pantalla LCD será reemplazado por el código de fallas y la unidad de velocidad de la parte derecha del velocímetro desaparecerá.

Código de fallas en la pantalla LCD	Descripción	Solución
12	Las baterías están demasiado calientes.	Haga una pausa, retire las baterías y deje que se enfríen las baterías y la minimoto.
21	El motor está demasiado caliente.	Tómese un descanso, retire las baterías y deje que la minimoto se enfríe.
32	Carga de batería baja	Cargue las baterías.
34	Protección contra sobrecorriente	Reinicie la minimoto. Mantenga la carga de la minimoto dentro de las 220 lb. (100 kg) y evite conducir la minimoto en una pendiente superior a 13°.
35	Protección en caso de bloqueo	Reinicie la minimoto. Mantenga la carga de la minimoto dentro de las 220 lb. (100 kg) y evite conducir la minimoto en una pendiente superior a 13°.
36	Los elementos electrónicos están demasiado calientes.	Tómese un descanso, retire las baterías y deje que la minimoto se enfríe.

AVISO: En caso de que aparezcan otros códigos de avería en la pantalla LCD, que pueden indicar una falla de comunicación, un error de señal del acelerador, una falla del motor, una falla del controlador, etc., retire todas las baterías y vuelva a insertarlas unos minutos después para reiniciar la minimoto. Si esto no resuelve el problema, póngase en contacto con el centro de atención al cliente de EGO para que un técnico calificado realice las reparaciones.

GARANTÍA LIMITADA DE EGO

TÉRMINOS Y DURACIÓN DE LA PÓLIZA DE GARANTÍA

Chervon North America, Inc. ("Chervon North America"), proporciona la siguiente Garantía Limitada para los productos EGO al comprador original de productos EGO.

El período de garantía detallado de cada producto EGO se puede encontrar en línea en <http://egopowerplus.com/warranty-policy>.

Sírvase contactar a Servicio al Cliente de EGO llamando gratis al 877-346-9876 (877-EGO-ZTRM) en cualquier momento en que tenga preguntas o reclamos de garantía, o si desea obtener una copia impresa de la garantía.

GARANTÍA LIMITADA DE SERVICIO

Los productos EGO están garantizados contra defectos de material o de fabricación a partir de la fecha de compra minorista original durante el período de garantía aplicable. Para cualquier reclamo de garantía presentado de manera adecuada y oportuna, si Chervon North America determina que un producto presenta algún defecto durante el período de garantía, dicho producto recibirá una reparación o un remplazo gratuitos, según lo determine Chervon North America.

CÓMO OBTENER SERVICIO

Para obtener servicio de garantía, dentro del período de garantía aplicable, sírvase contactar a servicio al cliente de EGO llamando gratis al **877-346-9876 (877-EGO-ZTRM)**. Cuando solicite servicio de garantía, deberá presentar el recibo de venta fechado original. Se seleccionará un centro de servicio autorizado para evaluar y reparar el producto si el mismo presenta algún defecto de acuerdo con los términos establecidos en la garantía. Cuando lleve su producto al centro de servicio autorizado, es posible que se requiera un pequeño depósito cuando deje allí su herramienta. Este depósito es reembolsable cuando se considere que el servicio de reparaciones esté cubierto bajo garantía.

LIMITACIONES Y EXCLUSIONES ADICIONALES

Esta garantía limitada se aplica solo al comprador original que realice la compra a un minorista EGO autorizado y no es transferible. Los productos EGO no serán considerados defectuosos, y esta garantía no se aplicará, en los casos en que el defecto por el que se presente el reclamo sea atribuible a cualquier causa que no sean los defectos definidos anteriormente en este documento. Esta garantía quedará anulada si el producto se ha utilizado para fines de alquiler. Esta garantía no se aplicará a daños causados por accidente, abuso, uso incorrecto, alteración, modificación, reparación no autorizada, contacto con líquidos, incendio, terremoto u otra causa

externa; utilización del producto sin seguir las instrucciones, especificaciones o pautas de EGO; o no hacer servicio de ajustes y reparaciones o no mantener adecuadamente el producto. Esta garantía tampoco se aplica a los daños cosméticos, incluyendo, pero sin limitarse a ello, rasguñaduras o abolladuras; defectos causados por el desgaste por el uso normal o defectos que de alguna otra manera se deban al envejecimiento normal del producto.

ESTA GARANTÍA EXPRESA SE DA EN LUGAR DE TODAS LAS DEMÁS GARANTÍAS, EXPRESAS O IMPLÍCITAS, INCLUYENDO, PERO SIN LIMITARSE A ELLO, TODAS LAS GARANTÍAS DE COMERCIABILIDAD O IDONEIDAD PARA UN PROPÓSITO O USO ESPECÍFICO, LAS CUALES QUEDAN EXCLUIDAS. Todas las garantías implícitas, incluyendo las garantías de comerciabilidad o idoneidad para un propósito específico, que no se puedan excluir bajo la ley estatal, están limitadas al período de garantía aplicable definido al comienzo de este artículo. El remedio único y exclusivo en conexión con la compra, instalación, uso y/o rendimiento de los productos EGO es la reparación o el reemplazo del producto tal y como lo determine Chervon North America. La responsabilidad máxima de North America no excederá en ningún caso el precio de compra pagado por el producto. CHERVON NORTH AMERICA NO SERÁ RESPONSABLE ANTE EL USUARIO NI ANTE NADIE MÁS POR DAÑOS EMERGENTES, INCIDENTALES, ESPECIALES, EJEMPLARES, INDIRECTOS O PUNITIVOS QUE SURJAN DEL USO DE LOS PRODUCTOS, INCLUYENDO, PERO SIN LIMITARSE A ELLO, LESIONES CORPORALES, MUERTE, DAÑOS MATERIALES, GANANCIAS PERDIDAS U OTROS PERJUICIOS ECONÓMICOS. Esta garantía le confiere a usted derechos legales específicos y es posible que usted tenga también otros derechos que varían de un estado a otro. Algunos estados no permiten limitaciones en cuanto a la duración de una garantía implícita, la exclusión o limitación de los daños incidentales o emergentes, o las limitaciones al tiempo para emprender ciertas acciones legales, por lo que las limitaciones contenidas en el presente documento no se aplican a los consumidores individuales de esos estados.

Esta garantía está sujeta a la ley de Michigan y se interpretará de acuerdo con dicha ley, con independencia de los principios sobre conflictos de leyes. No se emprenderá ninguna acción legal contra Chervon North America a menos que se presente dentro del plazo de un (1) año después de que se tenga conocimiento de la base de dicha acción legal o de la cual se debiera haber tenido conocimiento con el ejercicio de una diligencia razonable. Se considerará que se ha renunciado a cualquier acción legal que no se presente oportunamente.

Para obtener servicio al cliente, contáctenos llamando gratis al **877-346-9876 (877-EGO-ZTRM)** o en **EGOPOWERPLUS.COM**.
EGO Customer Service,
769 Seward Ave. NW, Suite 102,
Grand Rapids, Michigan 49504.

