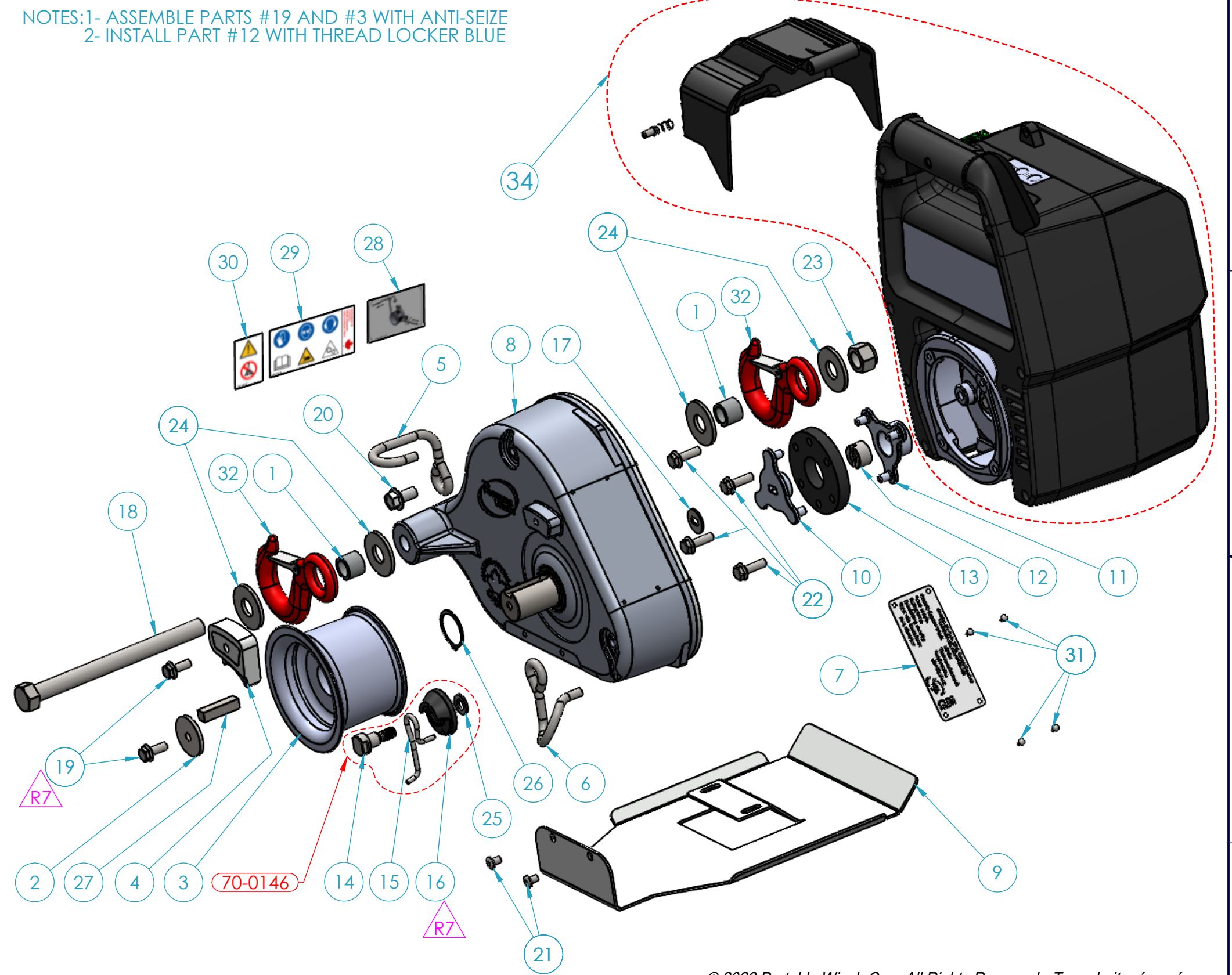


PARTS No.	PARTS NUMBER	REV. No.	DESCRIPTION	QTY
1	10-0098	R2	BUSHING FOR SAFETY HOOK	2
2	10-0102	R2	RETAINING WASHER (1/4 X 1-1/4 OD) - ZN	1
3	10-0129	R2	CAPSTAN DRUM 76mm	1
4	10-0131	R4	ROPE GUIDE FOR CAPSTAN DRUM 76mm	1
5	10-0135	R0	ROPE EXIT HOOK PCW3000	1
6	10-0136	R4	ROPE ENTRY HOOK PCW3000	1
7	10-0336	R2	GENERIC INFORMATION & SERIAL PLATE	1
8	10-0415	R0	GEARBOX 200:1	1
9	10-0421	R3	GROUND PLATE	1
10	10-0516	R1	COUPLING GEARBOX SIDE	1
11	10-0517	R0	COUPLING MOTOR SIDE	1
12	10-0519	R0	ROUND SLOTTED NUT M10x1.25 - ZN	1
13	10-0520	R0	COUPLING FLEXIBLE CENTER	1
14	10-0530	R0	BOLT FOR ENTRY HOOK ASS'Y	1
15	10-0531	R0	TENSION ROD	1
16	10-0532	R1	CUSTOM CAP PROTECTION	1
17	10-0538	R0	COUPLING SPACER	1
18	31-0010	...	HCS 1/2-13 X 6 - GR5 - ZN	1
19	32-0006	R7	HEX FLANGE SERRATED BOLT M6-1.0 X 16mm - ZN	2
20	32-0008	...	HEX FLANGE SERRATED BOLT M8-1.25 X 16mm - ZN	1
21	32-0055	...	BHCS M5-0.8 X 8mm - SS	2
22	32-0056	...	HEX FLANGE SERRATED BOLT M6-1.0 X 20mm - ZN	4
23	33-0005	...	NUT 1/2-13 NYLON - ZN	1
24	35-0004	...	FLAT WASHER 1/2 - ZN	4
25	36-0004	...	FLAT WASHER M8 - ZN	1
26	39-0026	...	RETAINING RING EXT. 25mm	1
27	43-0057	...	KEY FOR CAPSTAN DRUM 76mm (8mm X 30mm)	1
28	44-0025	R1	LABEL - ROPE INSTALLATION	1
29	44-0268	R0	LABEL - MULTI-ICONS FOR RECREATIONAL WINCHES	1
30	44-0269	R0	LABEL - DO NOT USE FOR LIFTING	1
31	49-0032	...	TYPE "U" DRIVE SCREWS 1/4" X 0.114"	4
32	PCA-1281	...	SAFETY HOOK WLL: 3/4 TON	2
34	10-0428	R1	ELECTRIC POWER HEAD - BLACK -1.0kW	1

NOTES: 1- ASSEMBLE PARTS #19 AND #3 WITH ANTI-SEIZE
 2- INSTALL PART #12 WITH THREAD LOCKER BLUE



© 2022 Portable Winch Co. - All Rights Reserved - Tous droits réservés

REV	ZONE	DESCRIPTIONS	DR	CK	APP	DATE
R7	A4	ITEM 10-0532 REVISION UP				2024-04-25
	B6	ITEM 32-0006 WAS 32-0051				
R6	B3	ITEM 10-0422 AND 32-0016 REMOVED	G.B.	A.B.	P.R.	
	B3	ITEM 10-0421 REVISION CHANGE				
	B2	ITEM 10-0516 REVISION CHANGE	G.B.	A.B.	A.B.	2024-05-04

DRAWN	F. MERCURE	TITLE	PCW3000-Li
CHECKED	C. BADUEL	SYSTEM	PCW3000-Li
APPROVED	P. ROY		
APP. DATE	2018-07-18		
INTERPRET PER ASME Y14.5-2018 GENERAL TOLERANCES IF NOT SPECIFIED		MATERIAL	N/A
0 ± 1mm 0.0 ± 0.5mm 0.00 ± 0.25mm 0.000 ± 0.025mm		FINISH	N/A
ANGLE ± 0.5° SURFACE ROUGHNESS 3.2µm HOLE POSITION ± 0.04mm		WEIGHT	9.4kg
3rd ANGLE PROJECTION		DIMENSIONS : METRIC	REFERENCE No.
DO NOT MEASURE DIRECTLY ON DRAFT		SCALE : SHOWN	E.C. No.
		FORMAT	B
		FILE	PCW3000-LI-R7
		DRAWING No.	PCW3000-Li
		REV.	R7
		SHEET	1/1

