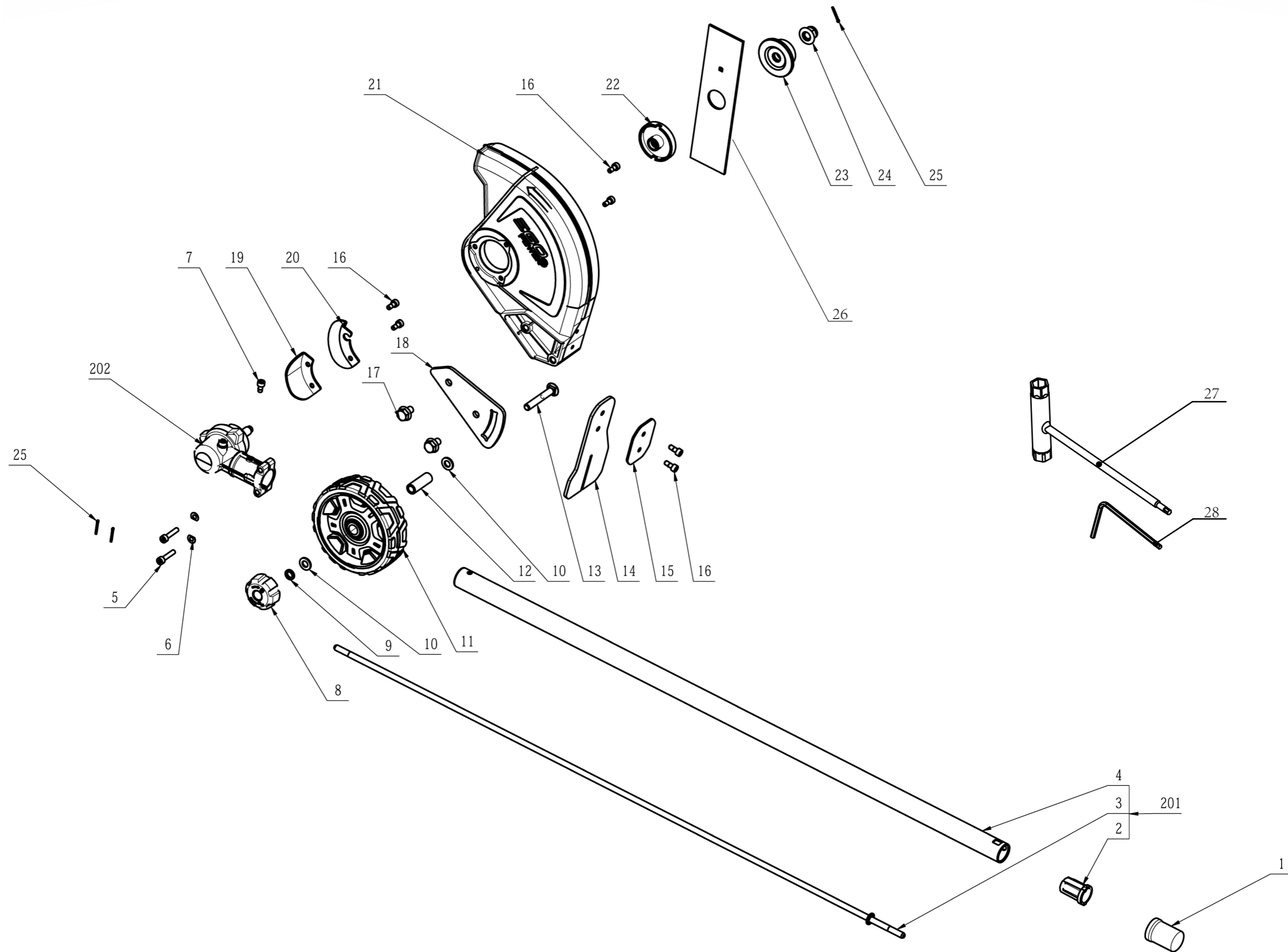




Product Description: DC Multi-head Edger
Model Number: EA0820
Service Item Number: F850004009S01
Version:A
Issue Date: 2024/08/06



Service Part List_EA0820_Vervion A

No.	Product Model#	Part Number	Description	Qty
1	EA0820	3128734001	Sleeve	1
2	EA0820	3128556001	Guiding Block	1
3	EA0820	2824792002	Shaft Assembly	1
4	EA0820	2824590005	Connecting Tube ASSY	1
5	EA0820	5620216003	Hexagon Socket Screw	2
6	EA0820	5650598001	Washer	2
7	EA0820	5620213003	Hexagon Socket Screw	1
8	EA0820	3402815001	Knob	1
9	EA0820	5650026005	Spring Washer	1
10	EA0820	5650025001	Plain Washer	2
11	EA0820	2824793001	Wheel Assembly	1
12	EA0820	3552519001	Screw Sleeve	1
13	EA0820	5640245001	Square Neck Bolt	1
14	EA0820	3706120001	Rubber Pad	1
15	EA0820	3706121001	Clamp	1
16	EA0820	5620018002	Hexagon Socket Screw	6
17	EA0820	5640010004	Hexagon Flange Bolt	2
18	EA0820	3705444001	Height Adjusting Plate	1
19	EA0820	3705450001	Support Plate	1
20	EA0820	3705433001	Guide Plate	1
21	EA0820	3421873001	Shield	1
22	EA0820	3552522001	Inner Flange	1
23	EA0820	3552523001	Outer Flange	1
24	EA0820	5630292001	Nut	1
25	EA0820	5670436001	Split pin	3
26	EA0820	3705431001	Blade	1
27	EA0820	5680217001	Wrench	1
28	EA0820	5680164001	Inner Hexagon Spanner	1
201	EA0820	2824590004	Connecting Tube ASSY	1
202	EA0820	2824795001	Gear Case ASSY	1