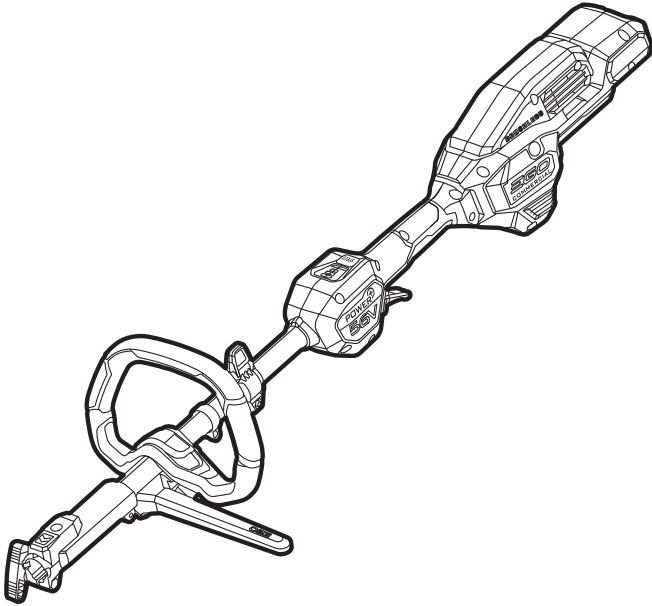


EGO™

COMMERCIAL



FOR USE WITH EGO
POWER HEAD ATTACHMENTS

OPERATOR'S MANUAL

56-VOLT LITHIUM-ION COMMERCIAL POWER HEAD

Français p. 33

Español p. 67

MODEL NUMBER PHX1600/PHX1600-FC

⚠ WARNING: To reduce the risk of injury, the user must read and understand the Operator's Manual before using this product. Save these instructions for future reference.

READ ALL INSTRUCTIONS!



READ & UNDERSTAND
OPERATOR'S MANUAL

TABLE OF CONTENTS

Safety Symbols	3
Symbols	4-5
General Safety Instructions	6-11
Introduction	11
Specifications	12
Packing List	12
Description	13-15
Assembly	16-21
Operation	22-26
Maintenance	27
Troubleshooting	28
EGO Limited Warranty	29-31

SAFETY SYMBOLS

The purpose of safety symbols is to attract your attention to possible dangers. The safety symbols and the explanations with them deserve your careful attention and understanding. The symbol warnings do not, by themselves, eliminate any danger. The instructions and warnings they give are no substitutes for proper accident prevention measures.

⚠ WARNING: Be sure to read and understand all safety instructions in this Operator’s Manual, including all safety alert symbols such as “**DANGER**”, “**WARNING**”, and “**CAUTION**” before using this machine. Failure to follow all instructions listed below may result in electric shock, fire, and/or serious personal injury.

The definitions below describe the level of severity for each signal word. Please read the manual and pay attention to these symbols.	
	This is the safety alert symbol. It is used to alert you to potential personal injury hazards. Obey all safety messages that follow this symbol to avoid possible injury or death.
	DANGER indicates a hazardous situation which, if not avoided, will result in death or serious injury.
	WARNING indicates a hazardous situation which, if not avoided, could result in death or serious injury.
	CAUTION, used with the safety alert symbol, indicates a hazardous situation which, if not avoided, will result in minor or moderate injury.

DAMAGE PREVENTION AND INFORMATION MESSAGES


These inform the user of important information and/or instructions that could lead to equipment or other property damage if they are not followed. Each message is preceded by the word “NOTICE”, as in the example below:

NOTICE: Equipment and/or property damage may result if these instructions are not followed.

SYMBOLS

This page depicts and describes safety symbols that may appear on this product. Read, understand, and follow all instructions on the machine before attempting to assemble and operate it.

	Safety Alert	Indicates a potential personal injury hazard.
	Read & Understand Operator's Manual	To reduce the risk of injury, user must read and understand the operator's manual before using this product.
	Wear eye protection symbol	Always wear safety goggles or safety glasses with side shields and a full face shield when operating this product.
	Recycle Symbol	This product uses lithium-ion (Li-ion) batteries. Local, state, or federal laws may prohibit disposal of batteries in ordinary trash. Consult your local waste authority for information regarding available recycling and/or disposal options.
	Disconnect battery before maintenance	Alerts user to disconnect battery before maintenance.
	Bluetooth®	Bluetooth® Symbol
	Ingestion Hazard	This product contains a button cell or coin battery.
IP...	Ingress Protection (IP) Rating	Classifies the degree of protection provided by an enclosure, for electrical equipment.
V	Volt	Voltage
mm	Millimeter	Length or size
cm	Centimeter	Length or size

in.	Inch	Length or size
kg	Kilogram	Weight
lb	Pound	Weight
	Direct Current	Type or a characteristic of current
°C	Degrees Celsius	Temperature
°F	Degrees Fahrenheit	Temperature

GENERAL SAFETY INSTRUCTIONS

⚠ WARNING! Read all safety warnings, instructions, illustrations and specifications provided with this machine. Failure to follow all instructions listed below may result in electric shock, fire and/or serious injury.

SAVE ALL WARNINGS AND INSTRUCTIONS FOR FUTURE REFERENCE.

The term “machine” in the warnings refers to your mains-operated (corded) machine or battery-operated (cordless) machine.

Work area safety

- **Keep work area clean and well lit.** Cluttered or dark areas invite accidents.
- **Do not operate machines in explosive atmospheres, such as in the presence of flammable liquids, gases or dust.** Machines create sparks which may ignite the dust or fumes.
- **Keep children and bystanders away while operating a machine.** Distractions can cause you to lose control.

Electrical safety

- **Machine plugs must match the outlet. Never modify the plug in any way. Do not use any adapter plugs with earthed (grounded) machines.** Unmodified plugs and matching outlets will reduce risk of electric shock.
- **Avoid body contact with earthed or grounded surfaces, such as pipes, radiators, ranges and refrigerators.** There is an increased risk of electric shock if your body is earthed or grounded.
- **Do not operate the machine in rain or wet conditions.** Water entering the machine may increase the risk of electric shock or malfunction that could result in personal injury.
- **Do not abuse the cord. Never use the cord for carrying, pulling or unplugging the machine. Keep cord away from heat, oil, sharp edges or moving parts.** Damaged or entangled cords increase the risk of electric shock.
- **When operating a machine outdoors, use an extension cord suitable for outdoor use.** Use of a cord suitable for outdoor use reduces the risk of electric shock.
- **If operating a machine in a damp location is unavoidable, use a ground fault circuit interrupter (GFCI) protected supply.** Use of a GFCI reduces the risk of electric shock.

Personal safety

- **Stay alert, watch what you are doing and use common sense when operating a machine. Do not use a machine while you are tired or under the influence of drugs, alcohol or medication.** A moment of inattention while operating machines may result in serious personal injury.
- **Use personal protective equipment. Always wear eye protection.** Protective equipment such as a dust mask, non-skid safety shoes, hard hat or hearing protection used for appropriate conditions will reduce personal injuries.
- **Prevent unintentional starting. Ensure the switch is in the off-position before connecting to power source and/or battery pack, picking up or carrying the machine.** Carrying machines with your finger on the switch or energizing machines that have the switch on invites accidents.
- **Remove any adjusting key or wrench before turning the machine on.** A wrench or a key left attached to a rotating part of the machine may result in personal injury.
- **Do not overreach. Keep proper footing and balance at all times.** This enables better control of the machine in unexpected situations.
- **Dress properly. Do not wear loose clothing or jewelry. Keep your hair and clothing away from moving parts.** Loose clothes, jewelry or long hair can be caught in moving parts.
- **If devices are provided for the connection of dust extraction and collection facilities, ensure these are connected and properly used.** Use of dust collection can reduce dust-related hazards.
- **Do not let familiarity gained from frequent use of machines allow you to become complacent and ignore machine safety principles.** A careless action can cause severe injury within a fraction of a second.

Machine use and care

- **Do not force the machine. Use the correct machine for your application.** The correct machine will do the job better and safer at the rate for which it was designed.
- **Do not use the machine if the switch does not turn it on and off.** Any machine that cannot be controlled with the switch is dangerous and must be repaired.

- **Disconnect the plug from the power source and/or remove the battery pack, if detachable, from the machine before making any adjustments, changing accessories, or storing machines.** Such preventive safety measures reduce the risk of starting the machine accidentally.
- **Store idle machines out of the reach of children and do not allow persons unfamiliar with the machine or these instructions to operate the machine.** Machines are dangerous in the hands of untrained users.
- **Maintain machines and accessories. Check for misalignment or binding of moving parts, breakage of parts and any other condition that may affect the machine's operation. If damaged, have the machine repaired before use.** Many accidents are caused by poorly maintained machines.
- **Keep cutting machines sharp and clean.** Properly maintained cutting machines with sharp cutting edges are less likely to bind and are easier to control.
- **Use the machine, accessories and machine bits, etc. in accordance with these instructions, taking into account the working conditions and the work to be performed.** Use of the machine for operations different from those intended could result in a hazardous situation.
- **Keep handles and grasping surfaces dry, clean and free from oil and grease.** Slippery handles and grasping surfaces do not allow for safe handling and control of the machine in unexpected situations.

Battery machine use and care

- **Recharge only with the charger specified by the manufacturer.** A charger that is suitable for one type of battery pack may create a risk of fire when used with another battery pack.
- **Use machines only with specifically designated battery packs.** Use of any other battery packs may create a risk of injury and fire.
- **When battery pack is not in use, keep it away from other metal objects, like paper clips, coins, keys, nails, screws or other small metal objects, that can make a connection from one terminal to another.** Shorting the battery terminals together may cause burns or a fire.
- **Under abusive conditions, liquid may be ejected from the battery; avoid contact. If contact accidentally occurs, flush with water. If liquid contacts eyes, additionally seek medical help.** Liquid ejected from the battery may cause irritation or burns.
- **Do not use a battery pack or machine that is damaged or modified.** Damaged or modified batteries may exhibit unpredictable behavior resulting in fire, explosion, or risk of injury.

- **Do not expose a battery pack or machine to fire or excessive temperature.** Exposure to fire or temperature above 265°F (130 °C) may cause explosion.
- **Follow all charging instructions and do not charge the battery pack or machine outside the temperature range specified in the instructions.** Charging improperly or at temperatures outside the specified range may damage the battery and increase the risk of fire.

Service

- **Have your machine serviced by a qualified repair person using only identical replacement parts.** This will ensure that the safety of the machine is maintained.
- **Never service damaged battery packs.** Service of battery packs should only be performed by the manufacturer or authorized service providers.

Specific Safety Rules for Power Heads

- **Use only with the battery packs and chargers listed below:**

BATTERY	CHARGER
BA1400, BA1400-FC, BA2800, BA2800-FC, BA4200, BA4200-FC, BA1400T, BA1400T-FC, BA2242T, BA2242T-FC, BA2800T, BA2800T-FC, BA3360T, BA3360T-FC, BA4200T, BA4200T-FC, BA4480T, BA4480T-FC, BA5600T, BA5600T-FC, BA6720T, BA6720T-FC	CH2100, CH2100-FC, CH3200, CH3200-FC, CH5500, CH5500-FC, CH2800D, CH2800D-FC, CH7000, CH7000-FC

- This 56V power head PHX1600/PHX1600-FC may only be used with the following EGO attachments:

ATTACHMENT TYPE	MODEL NUMBER
String Trimmer Attachment	STA1500/STA1500-FC/STA1600/STA1600-FC
Brush Cutter Attachment	BCA1220/BCA1220-FC
Hedge Trimmer Attachment	HTA2000/HTA2000-FC/HTA2020/HTA2020-FC
Pole Saw Attachment	PSA1000/PSA1000-FC/PSA1020/PSA1020-FC
Edger Attachment	EA0800/EA0800-FC/EA0820/EA0820-FC
Cultivator Attachment	CTA9500/CTA9500-FC
Bristle Brush Attachment	BBA2100/BBA2100-FC
Rubber Broom Attachment	RBA2100/RBA2100-FC
Snow Shovel Attachment	SSA1200/SSA1200-FC

SAVE THESE INSTRUCTIONS!

ADDITIONAL SPECIFIC SAFETY RULES CAN BE FOUND IN THE APPLICABLE ATTACHMENT'S OPERATOR'S MANUAL

COIN BATTERY

- The product contains non-replaceable batteries.
- Remove and immediately recycle or dispose of used batteries according to local regulations and keep away from children. Do NOT dispose of batteries in household trash or incinerate.
- Even used batteries may cause severe injury or death.
- Call a local poison control center for treatment information.
- The type of the coin battery: ICB1250 E6
- Nominal voltage of the coin battery: 3.85V
- Non-rechargeable batteries are not to be recharged.
- Do not force discharge, recharge, disassemble, heat above 140°F (60°C) or incinerate. Doing so may result in injury due to venting, leakage or explosion resulting in chemical burns.

WARNING

- **INGESTION HAZARD:** This product contains a button cell or coin battery.
- **DEATH** or serious injury can occur if ingested.
- A swallowed button cell or coin battery can cause **Internal Chemical Burns** in as little as **2 hours**.
- **KEEP** new and used batteries **OUT OF REACH of CHILDREN**
- **SEEK immediate medical attention** if a battery is suspected to be swallowed or inserted inside any part of the body.



INTRODUCTION

Congratulations on your selection of the EGO COMMERCIAL 56-Volt Lithium-ion Power Head. It has been designed, engineered and manufactured to give you the best possible dependability and performance.


Should you experience any problem you cannot easily remedy, please contact EGO customer service center 1-855-EGO-5656.

This manual contains important information on the safe assembly, operation and maintenance of your product. Read it carefully before using the product. Keep this manual handy so you can refer to it at any time.

SERIAL NUMBER _____ DATE OF PURCHASE _____

YOU SHOULD RECORD BOTH SERIAL NUMBER AND DATE OF PURCHASE AND KEEP THEM IN A SAFE PLACE FOR FUTURE REFERENCE

SPECIFICATIONS

Voltage	56V 
Weight	6.5 lbs. (2.95 kg)
Recommended Operating Temperature	5°F – 104°F (-15°C – 40°C)
Recommended Storage Temperature	-4°F – 158°F (-20°C – 70°C)
Ingress Protection Rating	IPX5* (Protection against water jets)

* **NOTE:** IPX5 rating is based on the machine and battery being used together as a system.

RECOMMENDED ACCESSORIES

PART NAME	MODEL NUMBER
Shoulder Strap	AP1500

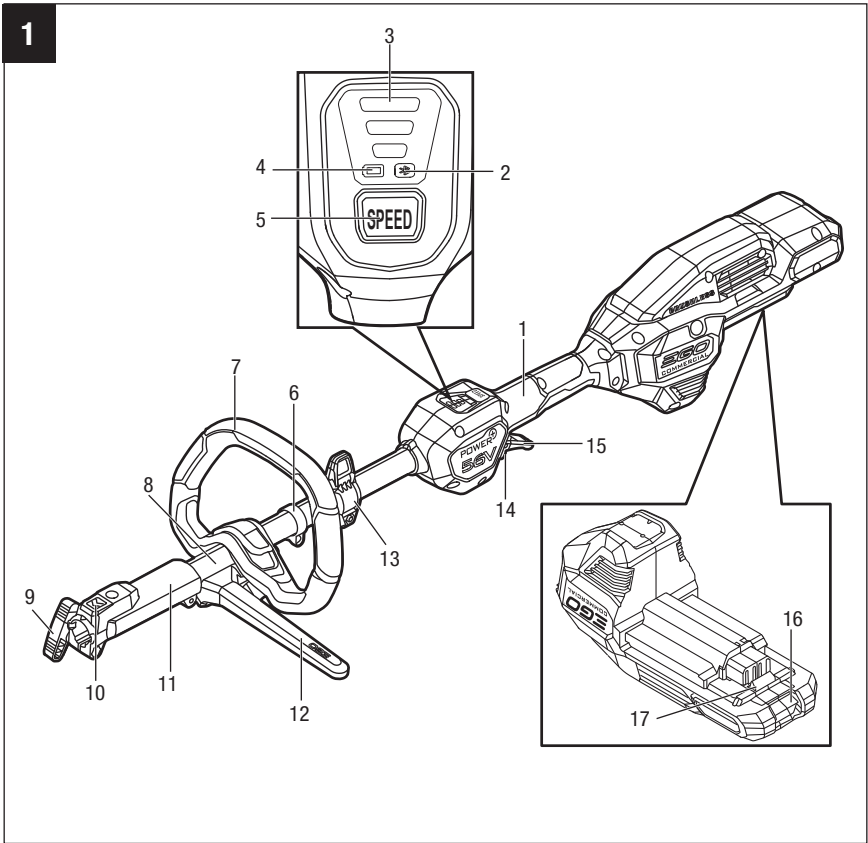
PACKING LIST

PART NAME	QUANTITY
Power Head	1
Front Handle	1
Operator's Manual	1
Safety Barrier Bar (only for use with brush cutter head)	1

DESCRIPTION

KNOW YOUR POWER HEAD (Fig. 1)

The safe use of this product requires an understanding of the information on the machine and in this operator's manual, as well as knowledge of the project you are attempting. Before using this product, familiarize yourself with all operating features and safety rules.



1. Rear Handle
2. Bluetooth® Indicator
3. Speed Indicator
4. Battery-status Indicator
5. Speed Mode Button
6. Threshold Ring
7. Front Handle
8. Power-head Shaft
9. Wing Knob
10. Shaft-release Button
11. Coupler
12. Safety Barrier Bar
13. Shoulder-strap Loop
14. Lock-off Lever
15. Variable-speed Trigger
16. Battery-release Button
17. Latch

FRONT HANDLE

To help prevent loss of control. Can be adjusted and repositioned quickly.

REAR HANDLE

Ergonomic handle with overmold improves comfort and grip.

LOCK-OFF LEVER

Helps to prevent accidental or unauthorized activation of the trigger. It must be moved forward before the trigger can be activated.

VARIABLE-SPEED TRIGGER

To turn the machine on and off and control speed.

SPEED MODE BUTTON

Switches between high, medium, and low speed mode for different tasks at hand.

SAFETY BARRIER BAR

Device attached to the brush cutter, designed to maintain a minimum distance between the operator and the cutting accessory when the machine is being operated.

COUPLER

Aids in quick connection of the attachment shaft.

SHAFT-RELEASE BUTTON

For releasing the attachment shaft.

WING KNOB

Tightens the coupler and attachment shaft connection.

BATTERY-RELEASE BUTTON

Releases the battery pack from the machine.

LATCH

Secures the battery pack to the machine.

BATTERY-STATUS INDICATOR

Indicates the charge level and the working status of the battery pack.

BLUETOOTH® INDICATOR

To set up Bluetooth® connection and indicate the connection status.

The Bluetooth® word mark and logos are registered trademarks owned by Bluetooth SIG, inc. and any use of such marks by EGO is under license.

ASSEMBLY

⚠ WARNING: If any parts are damaged or missing, do not operate this product until the parts are replaced. Use of this product with damaged or missing parts could result in serious personal injury.

⚠ WARNING: Do not attempt to modify this product or create accessories not recommended for use with this power head. Any such alteration or modification is misuse and could result in a hazardous condition leading to possibly serious personal injury.

⚠ WARNING: Always remove the battery pack from the product when you are assembling parts, making adjustments, cleaning, or when the product is not in use.

UNPACKING

- This product requires assembly.
- Carefully remove the product and any accessories from the box. Make sure that all items listed in the "**PACKING LIST**" are included.

⚠ WARNING: Do not use this product if any parts on the "**PACKING LIST**" are already assembled to your product when you unpack it. Parts on this list are not assembled to the product by the manufacturer and require customer installation. Use of a product that may have been improperly assembled could result in serious personal injury.

- Inspect the product carefully to make sure that no breakage or damage occurred during shipping.
- Do not discard the packing material until you have carefully inspected and satisfactorily operated the product.
- If any parts are damaged or missing, please return the product to the place of purchase.

INSTALLING A POWER HEAD ATTACHMENT

⚠ WARNING: Read and understand entire Operator's Manual for each optional attachment used with this power head and follow all warnings and instructions. Failure to follow all instructions could result in electric shock, fire, and/or serious personal injury.

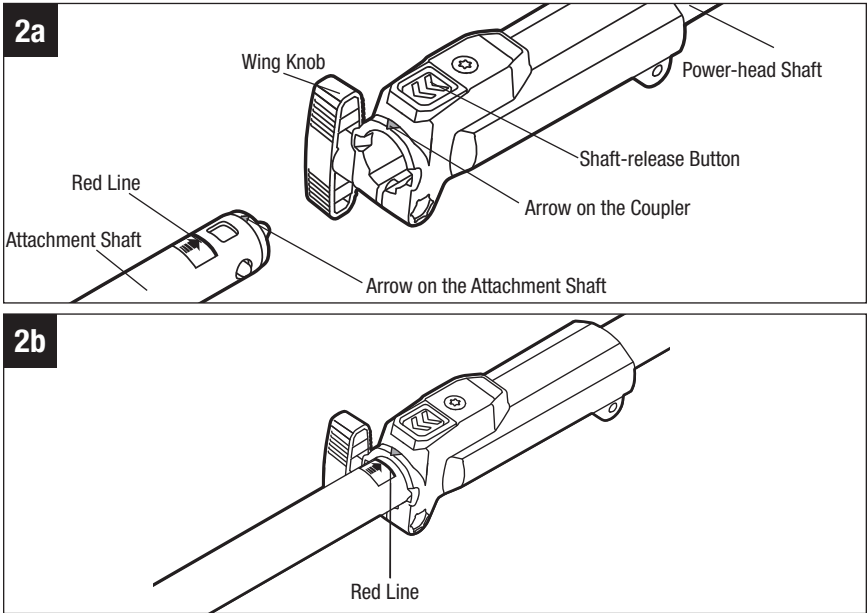
⚠ WARNING: This 56V power head is designed to be used only with the EGO attachment models that are specified in this Operator's Manual or subsequently introduced by EGO for use with this power head. Use of other unauthorized attachments could cause serious personal injuries or property damage.

⚠ WARNING: Some attachments have specific requirements related to safety. Always pay special attention to such instructions in the manual that accompanies each attachment.

⚠ WARNING: Never install, remove, or adjust any attachment while the power head is running or with the battery installed. Failure to stop the motor and remove the battery can cause serious personal injury. NEVER OPERATE THE POWER HEAD WITHOUT AN ATTACHMENT.

The attachment connects to the power head using the coupler.

1. Stop the motor and remove the battery pack.
2. Loosen the wing knob.
3. Remove the end cap from the attachment shaft and keep it in a safe place for future use. Align the arrow on the attachment shaft with the arrow on the coupler (Fig. 2a) and push the attachment shaft into the coupler until you hear a clear "click" sound. The coupler should be positioned all the way to the RED LINE labeled on the shaft for the attachment shaft to be properly mounted into place (Fig. 2b).



4. Pull the shaft of the attachment to verify that it is securely locked into the coupler. If not, rotate the attachment shaft from side to side in the coupler until it snaps into place.
5. Tighten the wing knob securely.

⚠ WARNING: Be certain that the wing knob is fully tightened before operating the product; check it periodically for tightness during use to avoid serious personal injury.

REMOVING THE ATTACHMENT FROM THE POWER HEAD

1. Stop the motor and remove the battery pack.
2. Loosen the wing knob.
3. Press the shaft-release button and, with the button depressed, pull or twist the attachment shaft out of the coupler.

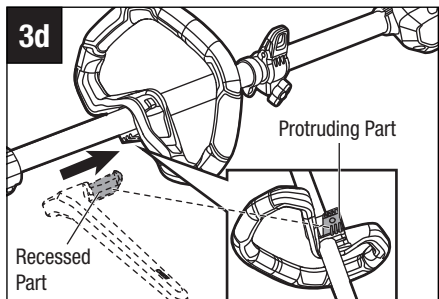
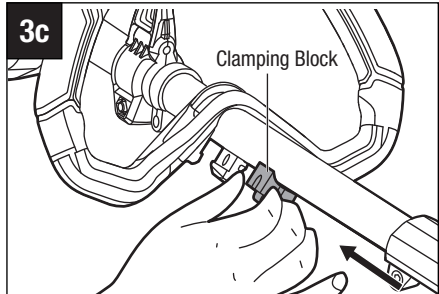
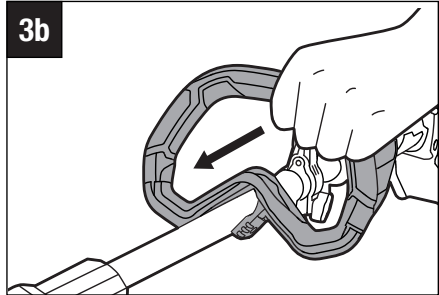
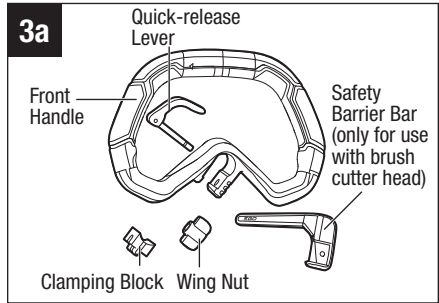
MOUNTING AND ADJUSTING THE FRONT HANDLE

⚠ WARNING: Always remove the battery pack from the product when you are assembling parts, making adjustments, cleaning, or when the product is not in use.

1. Stop the motor and remove the battery pack, if installed.
2. Loosen the wing nut and remove the quick-release lever, clamping block, and wing nut from the front handle (Fig. 3a).

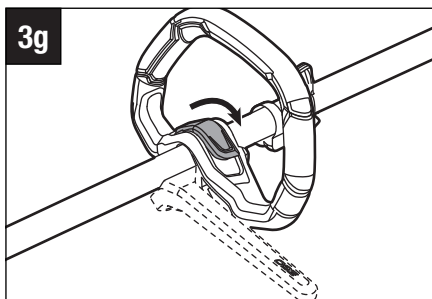
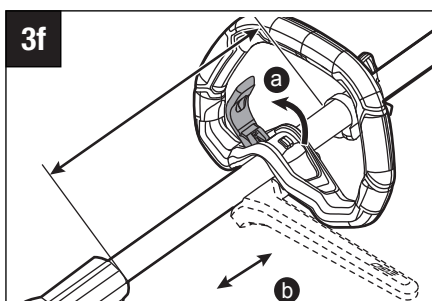
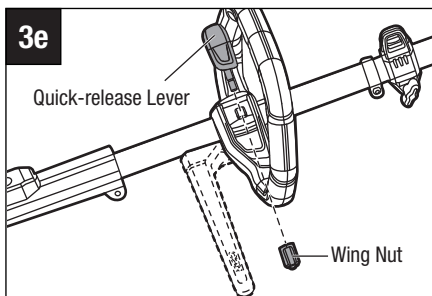
⚠ WARNING: When the machine is used with brush cutter head, the safety barrier bar must also be installed.

3. Push the front handle onto the shaft between the threshold ring and the coupler, make sure that the front handle is positioned upwards and points toward the top of the rear handle (Fig. 3b).
4. Insert the clamping block into the handle slot (Fig. 3c).



5. Align the recessed part in the barrier bar with the protruding part on the front handle, press the barrier bar onto the front handle (Fig. 3d).
6. Mount the quick-release lever and tighten the wing nut (Fig. 3e).
7. Pull the quick-release lever up to move/rotate the front handle to a comfortable operating position (Fig. 3f).
8. Fold the quick-release lever to secure the front handle in place (Fig. 3g).

⚠ WARNING: Never use the machine without the front handle securely attached.



MOUNTING THE SHOULDER STRAP (SOLD SEPERATELY)

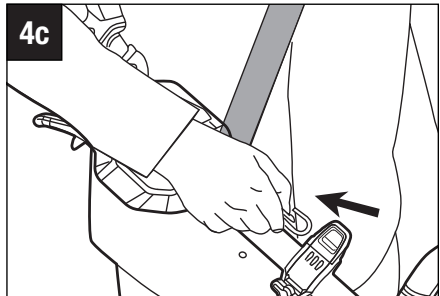
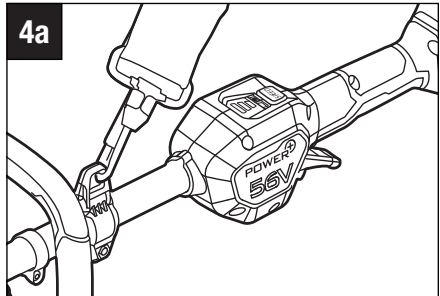
Depress the strap carabiner to open it and attach it onto the shoulder-strap loop (Fig. 4a).

There are two ways to release the strap. Take it off from your shoulder directly (Fig. 4b) or depress the carabiner and disconnect the shoulder strap from the shoulder-strap loop (Fig. 4c).

When wearing the strap, no other wearable should interfere with the release and removal of the strap.

⚠ WARNING: When an emergency occurs, take it off from your shoulder immediately, no matter what way the strap is in.

You should not use the single-shoulder strap and double-shoulder strap simultaneously.



OPERATION

⚠ WARNING: Do not allow familiarity with this product to make you careless. Remember that a careless fraction of a second is sufficient to inflict serious injury.

⚠ WARNING: Always wear safety goggles or safety glasses with side shield marked to comply with ANSI Z87.1. Failure to do so could result in objects being thrown into your eyes and other possible serious injuries.

⚠ WARNING: Do not use any attachments or accessories not recommended by the manufacturer of this product. The use of attachments or accessories not recommended can result in serious personal injury.

INSTALLING/REMOVING THE BATTERY PACK

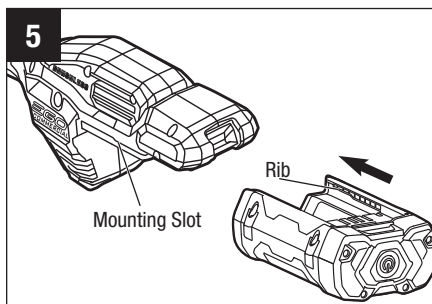
⚠ WARNING: Always remove the battery pack from the product when you are assembling parts, making adjustments, cleaning, or when not in use. Removing the battery pack will prevent accidental starting that could cause serious personal injury.

NOTE: Fully charge the battery pack before first use.

To install battery pack (Fig. 5)

1. Align the ribs of the battery pack with the mounting slots in the power head's battery port.
2. Push the battery pack into the battery port until it snaps into position.

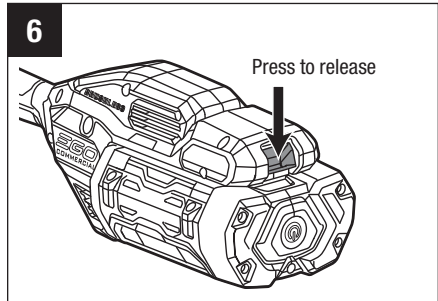
NOTE: Make sure that the latch on the bottom of the battery pack snaps in place and the battery pack is secured to the power head before beginning operation. Failure to securely seat the battery pack could cause the battery pack to fall out, resulting in serious personal injury.



To remove battery pack (Fig. 6)

⚠ WARNING: Always be aware of the location of your feet and children or pets around you when pressing the battery-release button. Serious injury could result if the battery pack falls. NEVER remove the battery pack at a high location.

1. Hold the battery pack in the palm of your hand.
2. Press the battery-release button with your thumb; the battery pack will disengage from the latch.
3. Grasp the battery pack and remove it from the power head.



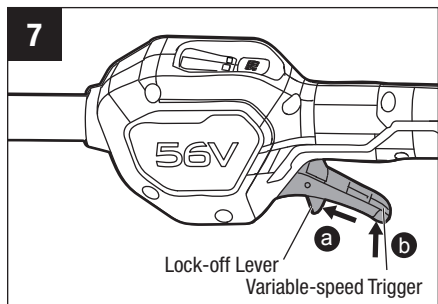
⚠ WARNING: To avoid serious personal injury, always remove the battery pack and keep hands clear of the lock-off lever and variable speed trigger when carrying or transporting the machine.

STARTING/STOPPING THE POWER HEAD

⚠ WARNING: NEVER OPERATE THE POWER HEAD WITHOUT AN ATTACHMENT. Do not attempt to start the power head without an attachment.

To start the power head (Fig. 7)

1. Move the lock-off lever forward and then press the variable speed trigger. The power head will start.
2. The rotational speed of the machine is controlled with the variable speed trigger. More pressure on the trigger results in higher speed; less pressure on the trigger results in lower speed. Adjust the speed to suit the task at hand.



NOTE: The motor starts only when the lock-off lever is moved forward and the variable speed trigger is depressed at the same time.

To stop the power head

Move the attachment away from the cutting area and release the variable speed trigger to stop the power head.

⚠ WARNING: Always remove the battery pack from the power head during work breaks and after finishing work.

Changing Speed Mode (Fig. 8)

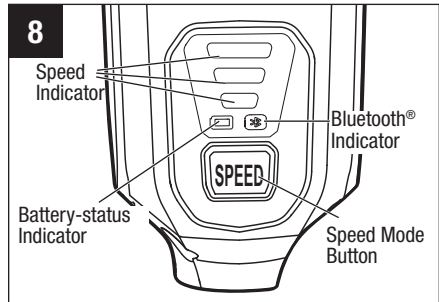
This machine features three speed modes.

The speed mode will change with every press of the speed mode button.

The speed indicator will display the active speed mode: one light for low speed, two lights for medium speed, three lights for high speed. The low speed mode provides better control of the machine and longer operating time per charge.






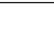




NOTE: The speed mode can be set before the machine is turned on or during operation.

When the machine is re-started after a break, the speed mode will return to the previous speed.



BATTERY-STATUS INDICATOR AND SPEED INDICATOR

The battery-status indicator shows the charge level and the working status of the battery pack, and the speed indicator shows the working status of the machine as shown in the chart below. The battery-status indicator and the speed indicator will illuminate when the machine is started or the speed mode button is pressed.

Indicator Lights		Meaning
Battery-status Indicator	Solid green	 Battery charge level of 20% to 100%
	Flashing green	 Battery charge level of 10% to 20%
	Solid red	 Battery charge level of less than 10%
	Flashing red	 The battery pack charge is nearly depleted and needs to be charged immediately.
	Solid orange	 The battery pack is overheated. Cool the battery pack until the temperature drops below 152°F (67°C). See " Battery High-temperature Protection " below.
	Flashing red/green alternately	  The battery pack electronics error. Replace the battery pack or contact EGO customer service center. See " Battery Electronics Error Protection ".
Speed Indicator (the illustration shows the high speed)	Solid green	 The machine is working properly.
	Solid orange	 The machine is overheated. Cool the machine until the temperature drops below 176°F (80°C). See " Machine High-temperature Protection " below.
	Flashing orange	 The machine is overloaded. See " Machine Overload Protection " below.

Battery High-temperature Protection

If the battery temperature exceeds 158°F (70°C) during operation, the temperature-protection circuit will immediately shut off the machine to protect the battery pack from overheating damage. The battery-status indicator will glow solid orange. Release the trigger and wait until the overheated battery cools down and the indicator turns green, then restart the machine.

Battery Electronics Error Protection

When the battery pack electronics error occurs, the battery-status indicator will flash red/green alternately and the machine will shut off in 3 seconds. Replace the battery pack or contact EGO customer service center.

Machine Overload Protection

This machine features a built-in overload circuit protection. When the machine is overloaded, the motor will stop and the speed indicator will flash orange. Remove the battery pack from the machine, then reattach the battery pack and restart the machine. Decrease the load on the machine, avoid too long or oversize cutting line or cutting of the heavy/woody shrubs.

Machine High-temperature Protection

If the machine temperature exceeds 194°F (90°C) during operation, the temperature-protection circuit will immediately shut off the machine to prevent overheating damage. The speed indicator will glow solid orange. Release the trigger and wait until the overheated machine cools down and the speed indicator turns green, then restart the machine.

BLUETOOTH® WIRELESS TECHNOLOGY

Products with built-in Bluetooth® wireless technology can connect to mobile devices using EGO apps. Please visit www.egopowerplus.com/commercial for instructions and follow the guidance in the EGO Connect App on how to connect and use the Bluetooth® function.

MAINTENANCE

⚠ WARNING: Before inspecting, cleaning or servicing the unit, stop the motor, wait for all moving parts to stop, and remove the battery pack. Failure to follow these instructions can result in serious personal injury or property damage.

⚠ WARNING: When servicing, use only identical replacement parts. Use of any other parts can create a hazard or cause product damage.

GENERAL MAINTENANCE

NOTICE: Before each use, inspect the entire product for damaged, missing, or loose parts such as screws, nuts, bolts, caps, etc. Tighten securely all fasteners and caps and do not operate this product until all missing or damaged parts are replaced. Please contact customer service or a qualified service center for assistance.

CLEANING THE POWER HEAD

Avoid using solvents when cleaning plastic parts. Most plastics are susceptible to damage from various types of commercial solvents and may be damaged by their use. Use clean cloth to remove dirt, dust, oil, grease, etc.

⚠ WARNING: Do not at any time let brake fluids, gasoline, petroleum-based products, penetrating oils, etc., come in contact with plastic parts. Chemicals can damage, weaken or destroy plastic which can result in serious personal injury.

NOTICE: Do not use any strong detergents on the plastic housing or the handle. They can be damaged by certain aromatic oils such as pine and lemon, and by solvents such as kerosene.

1. Stop the motor and remove the battery pack.
2. Clean dirt and debris from the power head using a damp cloth with a mild detergent.

STORING THE POWER HEAD

1. Remove the battery pack from the power head before storing.
2. Clean all foreign material from the power head.
3. Store it in a place that is inaccessible to children.
4. Keep away from corrosive agents such as garden chemicals and de-icing salts.



TROUBLESHOOTING

See the applicable attachment's operator's manual.



EGO LIMITED WARRANTY

WARRANTY POLICY TERMS AND DURATION

Chervon North America, Inc. (“Chervon North America”) provides the following Limited Warranty for EGO products to the original purchaser of EGO products.

The detailed warranty period for each EGO product can be found online at <http://egopowerplus.com/warranty-policy>.

Please contact EGO Customer Service Toll-Free at 1-855-EGO-5656 any time you have questions or warranty claims or would like a hard copy of the warranty.

LIMITED SERVICE WARRANTY

EGO products are warranted against defects in material or workmanship from the date of original retail purchase for the applicable warranty period. For any properly and timely submitted warranty claim, if Chervon North America determines a product to be defective during the warranty period, the product will receive free repair or replacement as determined by Chervon North America.

HOW TO OBTAIN SERVICE

For warranty service, within the applicable warranty period, please contact EGO customer service toll-free at **1-855-EGO-5656**. When requesting warranty service, you must present the original dated sales receipt. An authorized service center will be selected to evaluate and repair the product if defective according to the stated warranty terms. When bringing your product to the authorized service center, there may be a small deposit that will be required when dropping off your machine. This deposit is refundable when the repair service is deemed to be covered under warranty. The purchaser is responsible for transportation of any outdoor power equipment or attachments at their expense.



ADDITIONAL LIMITATIONS & EXCLUSIONS

This limited warranty applies only to the original purchaser from an authorized EGO retailer and is not transferable. EGO products shall not be considered defective, and this warranty will not apply, where the claimed defect is attributable to any cause other than the above-defined defects. This warranty shall be void if the product has been used for rental purposes. This warranty shall not apply to damage caused by accident, abuse, misuse, alteration, modification, unauthorized repair, liquid contact, fire, earthquake or other external cause; operating the product outside EGO's instructions, specifications or guidelines; or failure to properly service or maintain the product. This warranty also does not apply to cosmetic damage, including but not limited to scratches or dents; defects caused by normal wear and tear or otherwise due to the normal aging of the product.

THIS EXPRESS WARRANTY IS GIVEN IN LIEU OF ALL OTHER WARRANTIES, EXPRESS OR IMPLIED, INCLUDING, BUT NOT LIMITED TO, ANY WARRANTIES OF MERCHANTABILITY OR FITNESS FOR PARTICULAR PURPOSE OR USE, WHICH ARE DISCLAIMED. Any implied warranties, including warranties of merchantability or fitness for a particular purpose, that cannot be disclaimed under state law are limited to the applicable warranty period defined at the beginning of this article. The sole and exclusive remedy in connection with the purchase, installation, use, and/or performance of the EGO products is repair or replacement of the product as determined by Chervon North America. Chervon North America's maximum liability shall not in any case exceed the purchase price paid for the product. CHERVON NORTH AMERICA SHALL NOT BE LIABLE TO THE USER OR TO ANYONE ELSE FOR CONSEQUENTIAL, INCIDENTAL, SPECIAL, EXEMPLARY, INDIRECT, OR PUNITIVE DAMAGES ARISING FROM USE OF THE PRODUCTS, INCLUDING BUT NOT LIMITED TO PERSONAL INJURY, DEATH, PROPERTY DAMAGE, LOST PROFITS, OR OTHER ECONOMIC INJURY. This warranty gives you specific legal rights, and you may also have other rights which vary from state to state. Some states do not allow limitations on how long an implied warranty lasts, the exclusion or limitation of incidental or consequential damages, or the limitations on time to bring certain actions, so such limitations contained herein do not apply to individual consumers in those states.

This warranty is subject to and shall be interpreted according to Michigan law without regard to principles of conflicts of laws. No legal action shall be brought against Chervon North America unless filed within one (1) year after the basis for such legal action becomes known, or with the exercise of reasonable diligence should have become known. Any action not timely filed shall be deemed waived.

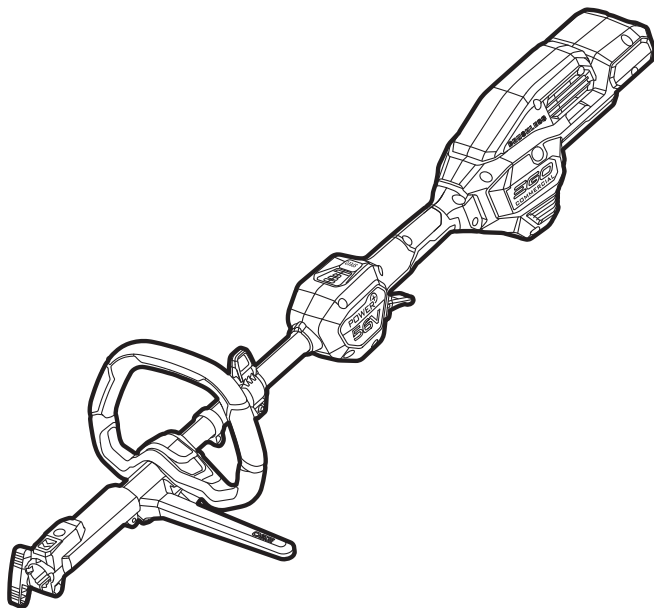


For customer service contact us toll-free at: **1-855-EGO-5656** or
EGOPOWERPLUS.COM.

EGO Customer Service
769 Seward Ave. NW, Suite 102
Grand Rapids, Michigan 49504.

EGO™

COMMERCIAL



POUR UTILISATION AVEC LES ATTACHEMENTS
DU BLOC MOTEUR EGO

MODE D'EMPLOI

BLOC MOTEUR COMMERCIAL DE 56 VOLTS AU LITHIUM-ION

NUMÉRO DE MODÈLE PHX1600/PHX1600-FC

⚠ **AVERTISSEMENT** : Afin de réduire les risques de blessure, l'utilisateur doit lire et comprendre le guide d'utilisation avant d'utiliser ce produit. Conservez le présent guide afin de pouvoir le consulter ultérieurement.

LISEZ TOUTES LES INSTRUCTIONS!



LISEZ LE MODE D'EMPLOI ET
ASSUREZ-VOUS QUE VOUS LE COMPRENEZ

TABLE DES MATIÈRES

Symboles de sécurité	35
Symboles	36-37
Consignes de sécurité générales	38-43
Introduction	44
Spécifications	45
Liste des pièces	45
Description	46-48
Assemblage	49-54
Fonctionnement	55-60
Maintenance	61-62
Recherche de la cause des problèmes	62
Garantie limitée D'EGO	63-65

SYMBOLES DE SÉCURITÉ

L'objectif des symboles de sécurité est d'attirer votre attention sur les dangers potentiels. Vous devez examiner attentivement et bien comprendre les symboles de sécurité et les explications qui les accompagnent. Les symboles d'avertissement en tant que tels n'éliminent pas le danger. Les consignes et les avertissements qui y sont associés ne remplacent en aucun cas les mesures préventives adéquates.

⚠ AVERTISSEMENT: Assurez-vous de lire et de comprendre toutes les consignes de sécurité présentées dans le présent mode d'emploi, notamment toutes les consignes de sécurité indiquées par « **DANGER** », « **AVERTISSEMENT** » et « **MISE EN GARDE** ». Le non-respect des consignes de sécurité ci-dessous peut occasionner une décharge électrique, un incendie ou des blessures graves.

Les définitions ci-dessous décrivent le niveau de gravité pour chaque terme signalant un danger. Veuillez lire le mode d'emploi et regarder la signification de ces symboles	
	C'est le symbole d'alerte relatif à la sécurité. Il est utilisé pour vous avertir de l'existence possible d'un danger de lésion corporelle. Obéissez à tous les messages relatifs à la sécurité qui suivent ce symbole pour éviter tout risque de blessure ou même de mort.
	DANGER indique une situation dangereuse qui, si elle n'est pas évitée, causera la mort d'une personne ou une blessure grave.
	AVERTISSEMENT indique une situation dangereuse qui, si elle n'est pas évitée, pourrait causer la mort d'une personne ou une blessure grave.
	MISE EN GARDE , conjointement avec le symbole d'alerte en liaison avec la sécurité, indique une situation dangereuse qui, si elle n'est pas évitée, causera une blessure légère ou modérée.

MESSAGES D'INFORMATION ET DE PRÉVENTION DES DOMMAGES


Ils informent l'utilisateur d'informations et/ou d'instructions importantes qui pourraient entraîner des dommages matériels ou aux équipements s'ils ne sont pas suivis. Chaque message est précédé par le terme « **AVIS** », comme dans l'exemple ci-dessous :

AVIS : Un dommage matériel et/ou aux équipements peut survenir si ces instructions ne sont pas suivies.

SYMBOLES

Cette page représente et décrit les symboles de sécurité qui peuvent figurer sur ce produit. Lisez, comprenez et suivez toutes les instructions figurant sur la lampe avant de l'assembler et de commencer à l'utiliser.

	Alerte de sécurité	Indique un risque de blessure.
	Lisez le mode d'emploi, et assurez-vous que vous le comprenez.	Pour réduire le risque de blessure, l'utilisateur doit lire le mode d'emploi et s'assurer qu'il le comprend avant de commencer à utiliser ce produit.
	Porter des lunettes de sécurité	Lorsque vous utilisez l'article, portez toujours des lunettes de sécurité couvrantes ou à écrans latéraux, ou un masque complet.
	Symbole de recyclage	Le produit fonctionne à l'aide de piles au lithium-ion (Li-Ion). La législation locale, provinciale ou fédérale peut interdire la mise au rebut des blocs-piles dans une poubelle ordinaire. Consultez l'organisme local de gestion des déchets au sujet des possibilités offertes en ce qui concerne la mise au rebut ou le recyclage.
	Débranchez la pile avant toute opération d'entretien.	Alerte l'utilisateur pour qu'il débranche la pile avant toute opération d'entretien.
	Bluetooth®	Symbole Bluetooth®
	Risque d'ingestion	Ce produit contient une pile bouton ou une pile en forme de pièce de monnaie.
IP...	Indice de protection pour la pénétration	Classifie le degré de protection fourni par une enceinte pour le matériel électrique.

V	Volt	Tension
mm	Millimètre	Longueur ou taille
cm	Centimètre	Longueur ou taille
in.	Pouce	Longueur ou taille
kg	Kilogramme	Poids
lb	Livre	Poids
	Courant continu	Type de courant ou caractéristique de courant
°C	Degrés Celsius	Température
°F	Degrés Fahrenheit	Température

CONSIGNES GÉNÉRALES DE SÉCURITÉ

⚠ AVERTISSEMENT ! Lisez tous les avertissements relatifs à la sécurité, ainsi que toutes les instructions, les illustrations et les spécifications fournies avec cette machine. Le non-respect de toutes les instructions figurant ci-après pourrait causer un choc électrique, un incendie et/ou des blessures graves.

CONSERVEZ TOUS LES AVERTISSEMENTS ET TOUTES LES INSTRUCTIONS POUR RÉFÉRENCE FUTURE.

Le terme « machine » dans les avertissements fait référence à votre machine électrique à cordon électrique branché dans une prise secteur (filaire) ou à votre machine électrique à piles (sans fil).

Sécurité de la zone de travail

- **Gardez votre zone de travail propre et bien éclairée.** Des zones encombrées ou sombres sont propices aux accidents.
- **N'utilisez pas de machines dans une atmosphère explosive, par exemple en présence de liquides, de gaz ou de poussières inflammables.** Les machines produisent des étincelles qui risquent de mettre feu aux poussières ou aux émanations de fumée.
- **Gardez les enfants et les autres personnes présentes à une distance suffisante lorsque vous utilisez une machine.** Des distractions risqueraient de vous faire perdre le contrôle.

Sécurité électrique

- **Les fiches de la machine doivent correspondre à la prise de courant. Ne modifiez jamais la fiche de quelque façon que ce soit. N'utilisez pas d'adaptateurs de fiches avec des machines mises à la terre (à la masse).** L'emploi de fiches non modifiées et de prises de courant correspondant naturellement aux fiches réduira le risque de choc électrique.
- **Évitez tout contact de votre corps avec des surfaces mises à la terre ou à la masse telles que des surfaces de tuyaux, de radiateurs, de cuisinières et de réfrigérateurs.** Il existe un risque accru de choc électrique si votre corps est en contact avec la terre ou la masse.
- **N'exposez pas la machine à la pluie ou à un environnement humide.** La pénétration d'eau dans la machine peut augmenter le risque de choc électrique ou de dysfonctionnement pouvant entraîner des blessures corporelles.

- **N'utilisez pas le cordon de façon abusive. N'utilisez pas le cordon d'alimentation pour porter, tirer ou débrancher la machine. Tenez le cordon à distance de toute source de chaleur, d'huile, de bords tranchants ou de pièces mobiles.** Des cordons endommagés ou entortillés augmentent le risque de choc électrique.
- **Lorsque vous utilisez une machine à l'extérieur, employez un cordon de rallonge approprié pour un emploi à l'extérieur.** L'utilisation d'un cordon approprié pour une utilisation à l'extérieur réduit le risque de choc électrique.
- **S'il est inévitable d'utiliser une machine dans un environnement humide, utilisez une alimentation protégée par un disjoncteur avec circuit de fuite à la terre (GFCI).** L'utilisation d'un circuit GFCI réduit le risque de choc électrique.

Sécurité personnelle

- **Soyez alerte, faites preuve de vigilance et de bon sens, et observez attentivement ce que vous faites lorsque vous utilisez une machine. N'utilisez pas une machine si vous êtes fatigué(e) ou sous l'influence de drogues, d'alcool ou de médicaments.** Un simple moment d'inattention pendant que vous utilisez une machine pourrait causer une blessure grave.
- **Utilisez des équipements de protection personnelle. Portez toujours des équipements de protection des yeux.** Des équipements de protection tels qu'un masque de protection contre la poussière, des chaussures de sécurité antidérapantes, un casque ou un dispositif de protection de l'ouïe utilisés en fonction des conditions réduiront le nombre des blessures.
- **Prévenez une mise en marche accidentelle. Assurez-vous que l'interrupteur est dans la position hors tension avant de connecter la machine à une source d'alimentation et/ou à un bloc-piles, de la soulever ou de la transporter.** Le fait de transporter une machine avec le doigt sur l'interrupteur ou de la mettre sous tension avec l'interrupteur en position de fonctionnement invite les accidents.
- **Retirez toute clé de réglage pouvant être attachée à la machine avant de mettre la machine sous tension.** Une clé laissée attachée à une pièce en rotation de la machine pourrait causer une blessure.
- **Ne vous penchez pas excessivement au-dessus de cette machine. Veillez à toujours garder un bon équilibre et un appui stable.** Ceci permet de mieux contrôler la machine dans des situations inattendues.
- **Portez des vêtements appropriés. Ne portez pas de bijoux ou de vêtements amples. Gardez vos cheveux et vos vêtements à une distance suffisante des pièces mobiles.** Les vêtements amples, bijoux ou cheveux longs pourraient être attrapés par des pièces mobiles.

- **Si des dispositifs sont fournis pour le raccordement d'accessoires d'extraction et de collecte de la poussière, assurez-vous qu'ils sont connectés et utilisés de façon appropriée.** L'emploi correct des accessoires de collecte de la poussière peut réduire les dangers associés à la poussière.
- **Ne laissez pas la familiarité résultant de l'utilisation fréquente des machines vous inciter à devenir complaisant(e) et à ignorer les principes de sécurité des machines.** Une action négligente pourrait causer des blessures graves en une fraction de seconde.

Utilisation et entretien des machines

- **Ne forcez pas la machine. Utilisez la machine correcte pour votre application.** La machine correcte fera le travail plus efficacement et avec plus de sécurité à la vitesse à laquelle elle a été conçue pour fonctionner.
- **N'utilisez pas la machine si l'interrupteur de marche/arrêt ne permet pas de la mettre sous tension/hors tension.** Toute machine qui ne peut pas être contrôlée par son interrupteur est dangereuse et doit être réparée.
- **Débranchez la fiche de la prise secteur et/ou retirez le bloc-piles de la machine (s'il est amovible) avant d'y apporter de quelconques modifications, de changer d'accessoire ou de ranger la machine.** De telles mesures de sécurité préventives réduisent le risque de démarrage accidentel de la machine.
- **Rangez les machines qui ne sont pas utilisées activement hors de portée des enfants, et ne laissez aucune personne n'ayant pas lu ces instructions et ne sachant pas comment utiliser une telle machine se servir de la machine.** Les machines sont dangereuses quand elles sont entre les mains d'utilisateurs n'ayant pas reçu la formation nécessaire à leur utilisation.
- **Entretien des machines et de leurs accessoires. Assurez-vous que les pièces en mouvement sont bien alignées et qu'elles ne se coincent pas, qu'il n'y a pas de pièces cassées ou qu'il n'existe aucune situation pouvant affecter le fonctionnement de la machine. Si la machine est endommagée, faites-la réparer avant de vous en servir à nouveau.** De nombreux accidents sont causés par des machines mal entretenues.
- **Gardez les machines de coupe tranchantes et propres.** Des machines de coupe entretenues de façon adéquate avec des bords de coupe tranchants sont moins susceptibles de se coincer et sont plus faciles à contrôler.

- **Utilisez la machine, les accessoires, les embouts de la machine, etc. conformément à ces instructions, en tenant compte des conditions de travail et de la tâche à accomplir.** L'utilisation de la machine pour des opérations différentes de celles pour lesquelles elle est conçue pourrait causer une situation dangereuse.
- **Gardez les poignées et les surfaces de préhension propres, sèches et exemptes de toute trace d'huile ou de graisse.** Les poignées et les surfaces de préhension glissantes ne permettent pas une manipulation et un contrôle sûrs de la machine dans des situations inattendues.

Utilisation et entretien de la machine alimentée par des piles

- **Ne rechargez la machine qu'avec le chargeur indiqué par le fabricant.** Un chargeur qui est approprié pour un type de bloc-piles pourrait créer un risque d'incendie quand il est utilisé avec un autre bloc-piles.
- **Utilisez la machine exclusivement avec des blocs-piles conçus spécifiquement pour celle-ci.** L'emploi de tout autre bloc-piles risquerait de causer des blessures et un incendie.
- **Lorsque le bloc-piles n'est pas utilisé, gardez-le à une distance suffisante des autres objets en métal, comme des trombones, pièces de monnaie, clés, clous, vis ou autres petits objets en métal qui pourraient établir une connexion entre une borne et une autre.** Le court-circuitage des bornes d'une pile pourrait causer des brûlures ou un incendie.
- **Dans des conditions d'utilisation abusives, du liquide pourrait être éjecté de la pile; évitez tout contact avec ce liquide. En cas de contact accidentel, lavez avec de l'eau. En cas de contact de liquide avec les yeux, consultez un professionnel de santé.** Tout liquide éjecté d'une pile peut causer de l'irritation ou des brûlures.
- **N'utilisez pas une machine ou un bloc-piles qui est endommagé ou qui a été modifié.** Des piles endommagées ou modifiées peuvent se comporter de façon imprévisible et causer un incendie, une explosion ou des blessures.
- **N'exposez pas un bloc-piles ou une machine à un feu ou à une température excessive.** L'exposition à un feu ou à une température supérieure à 130 °C / 265 °F pourrait causer une explosion.
- **Suivez toutes les instructions relatives à la charge, et ne chargez pas le bloc-piles ou la machine en dehors de la plage de température spécifiée dans les instructions.** Une charge dans des conditions appropriées ou à des températures en dehors de la plage spécifiée pourrait endommager la pile et augmenter le risque d'incendie.

Service après-vente

- **Faites réparer votre machine par un réparateur compétent n'utilisant que des pièces de rechange identiques.** Ceci assurera le maintien de la sécurité de la machine.
- **Ne tentez jamais de réparer des blocs-piles endommagés.** La réparation de blocs-piles ne doit être effectuée que par le fabricant ou un prestataire de services agréé.

Règles de sécurité spécifiques pour les blocs moteurs

- **N'utilisez qu'avec les blocs-piles et les chargeurs indiqués ci-dessous :**

PILE	CHARGEUR
BA1400, BA1400-FC, BA2800, BA2800-FC, BA4200, BA4200-FC, BA1400T, BA1400T-FC, BA2242T, BA2242T-FC, BA2800T, BA2800T-FC, BA3360T, BA3360T-FC, BA4200T, BA4200T-FC, BA4480T, BA4480T-FC, BA5600T, BA5600T-FC, BA6720T, BA6720T-FC	CH2100, CH2100-FC, CH3200, CH3200-FC, CH5500, CH5500-FC, CH2800D, CH2800D-FC, CH7000, CH7000-FC

- **Ce bloc moteur de 56 V PHX1600/PHX1600-FC ne peut être utilisé qu'avec les attachements EGO suivants :**

TYPE D'ATTACHEMENT	NUMÉRO DE MODÈLE
Attachement de taille-bordure	STA1500/STA1500-FC/STA1600/STA1600-FC
Attachement de débroussailluse	BCA1220/BCA1220-FC
Attachement de taille-haie	HTA2000/HTA2000-FC/HTA2020/HTA2020-FC
Attachement de scie à élaguer à rallonge	PSA1000/PSA1000-FC/PSA1020/PSA1020-FC
Attachement de coupe-bordure	EA0800/EA0800-FC/EA0820/EA0820-FC
Attachement de cultivateur	CTA9500/CTA9500-FC
Attachement de brosse en soies	BBA2100/BBA2100-FC
Attachement de balai en caoutchouc	RBA2100/RBA2100-FC
Attachement de pelle à neige	SSA1200/SSA1200-FC

CONSERVEZ CES INSTRUCTIONS !

DES RÈGLES DE SÉCURITÉ SPÉCIFIQUES SUPPLÉMENTAIRES PEUVENT ÊTRE TROUVÉES DANS LE MODE D'EMPLOI DE L'ATTACHEMENT CONCERNÉ.

PILE PLATE

- Le produit contient des piles non remplaçables.
- Retirez les piles usagées et recyclez-les ou mettez-les au rebut immédiatement conformément aux réglementations locales, et tenez-les hors de portée des enfants. Ne jetez PAS de piles dans les ordures ménagères, et ne les incinérez pas.
- Des piles même usagées peuvent causer des blessures graves, voire mortelles.
- Appelez un centre antipoison local pour obtenir des informations sur le traitement.
- Type de pile plate : ICB1250 E6
- Tension nominale de la pile plate : 3,85 V
- Les piles non rechargeables ne doivent pas être rechargées.
- Ne déchargez pas, ne rechargez pas ou ne démontez pas en forçant, ne chauffez pas au-delà de 140°F (60°C) et n'incinérez pas. Vous risqueriez de vous blesser en cas de ventilation, de fuite ou d'explosion entraînant des brûlures chimiques.

⚠ AVERTISSEMENT

- **RISQUE D'INGESTION** : Ce produit contient une pile bouton ou une pile en forme de pièce de monnaie.
- L'ingestion de ce produit peut entraîner la **MORT** ou des blessures graves.
- Si elle est avalée, une pile bouton ou une pile en forme de pièce de monnaie peut provoquer des **brûlures chimiques internes** en seulement **deux heures**.
- **TENEZ** les piles neuves et usagées **HORS DE PORTÉE DES ENFANTS**
- **Consultez immédiatement un médecin** si vous soupçonnez qu'une pile a été avalée ou insérée à l'intérieur d'une partie quelconque du corps.



INTRODUCTION

Félicitations pour votre choix du bloc moteur au lithium-ion EGO COMMERCIAL de 56 volts. Elle a été conçue, développée et fabriquée pour vous donner le plus possible de fiabilité et de rendement.


Si vous rencontrez un problème auquel vous ne pouvez pas remédier facilement, veuillez contacter le centre de service à la clientèle EGO au 1-855-EGO-5656.

Ce mode d'emploi contient des informations importantes sur assemblage, l'utilisation et l'entretien de votre produit en toute sécurité. Lisez-le attentivement avant d'utiliser le produit. Conservez ce mode d'emploi à portée de main afin de pouvoir vous y référer à tout moment.

NUMÉRO DE SÉRIE _____ DATE D'ACHAT _____

VEUILLEZ ENREGISTRER LE NUMÉRO DE SÉRIE ET LA DATE D'ACHAT, ET LES CONSERVER DANS UN ENDROIT SÛR POUR TOUTE RÉFÉRENCE ULTÉRIEURE.

SPÉCIFICATIONS

Tension	56V 
Poids	6,5 lb (2,95 kg)
Température de fonctionnement recommandée	-15 °C – 40 °C / 5 °F – 104 °F
Température de stockage recommandée	-20 °C – 70 °C / -4 °F – 158 °F
Indice de protection	IPX5* (protection contre les jets d'eau)

* **REMARQUE** : L'indice IPX5 est basé sur l'utilisation conjointe de la machine et du bloc-piles en tant que système.

ACCESSOIRES RECOMMANDÉS

NOM DE LA PIÈCE	NUMÉRO DE MODÈLE
Bretelle de port en bandoulière	AP1500

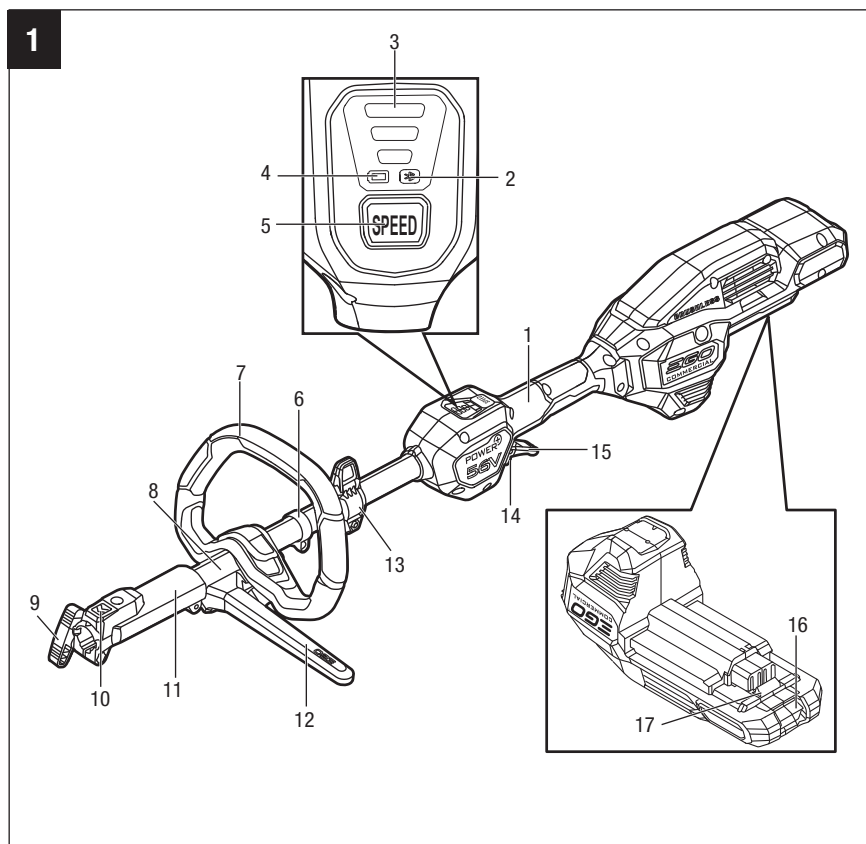
LISTE DES PIÈCES

NOM DE LA PIÈCE	QUANTITÉ
Ensemble moteur	1
Poignée avant	1
Mode d'emploi	1
Barre de sécurité (à utiliser uniquement avec la tête de la débroussailleuse)	1

DESCRIPTION

FAMILIARISEZ-VOUS AVEC VOTRE BLOC MOTEUR (Fig. 1)

Pour que ce produit puisse être utilisé en toute sécurité, il est nécessaire de comprendre les informations figurant sur la machine et dans son mode d'emploi, et de bien maîtriser le projet que vous voulez réaliser. Avant d'utiliser ce produit, familiarisez-vous avec toutes ses fonctionnalités et les consignes de sécurité qui s'y appliquent.



- | | |
|---|--|
| 1. Poignée arrière | 10. Bouton d'éjection de l'arbre |
| 2. Indicateur Bluetooth® | 11. Coupleur |
| 3. Voyant indicateur de vitesse | 12. Barre de sécurité |
| 4. Voyant indicateur d'état de charge des piles | 13. Boucle de la bretelle pour port en bandoulière |
| 5. Bouton de mode de réglage de la vitesse | 14. Levier de verrouillage en position désactivée |
| 6. Anneau de seuil | 15. Gâchette pour le réglage de la vitesse |
| 7. Poignée avant | 16. Bouton d'éjection du bloc-piles |
| 8. Arbre du bloc moteur | 17. Loquet de verrouillage |
| 9. Bouton à ailettes | |

POIGNÉE AVANT

Pour aider à éviter la perte de contrôle. Peut être ajustée et repositionnée rapidement.

POIGNÉE ARRIÈRE

La poignée ergonomique avec surmoulage améliore le confort et la préhension.

LEVIER DE VERROUILLAGE EN POSITION DÉSACTIVÉE

Contribue à empêcher une activation accidentelle ou non autorisée de la gâchette. Il doit être déplacé vers l'avant que la gâchette puisse être activée.

GÂCHETTE DE RÉGLAGE DE LA VITESSE

Pour mettre la machine sous tension et hors tension, et pour en contrôler la vitesse.

BOUTON DE MODE DE RÉGLAGE DE LA VITESSE

Fournit des modes de réglage de la vitesse (rapide, intermédiaire ou lente) en fonction des différentes tâches à accomplir.

BARRE DE SÉCURITÉ

Dispositif attaché à la débroussailluse, conçu pour maintenir une distance minimale entre l'opérateur et l'accessoire de coupe lors de l'utilisation de la machine.

COUPLEUR

Aide à la connexion rapide de l'arbre de l'attacheement.

BOUTON D'ÉJECTION DE L'ARBRE

Pour éjecter l'arbre de l'attacheement.

BOUTONS À AILETTES

Serre la connexion du coupleur et de l'arbre de l'attacheement.

BOUTON D'ÉJECTION DU BLOC-PILES

Détache le bloc-piles de la machine.

VERROU

Assujettit le bloc-piles à la machine.

VOYANT D'ÉTAT DE CHARGE DES PILES

Indique le niveau de charge et l'état de fonctionnement du bloc-piles.

INDICATEUR BLUETOOTH®

Pour établir une connexion Bluetooth® et indiquer l'état de la connexion.

La marque du mot Bluetooth® et les logos correspondants sont des marques déposées appartenant à Bluetooth SIG, Inc., et toute utilisation de ces marques par EGO est effectuée sous licence.

ASSEMBLAGE

⚠ AVERTISSEMENT : Si certaines pièces sont endommagées ou manquantes, n'utilisez pas ce produit avant que ces pièces aient été remplacées. L'utilisation de ce produit avec des pièces endommagées ou manquantes pourrait causer des blessures graves.

⚠ AVERTISSEMENT : Ne tentez pas de modifier ce produit ou de créer des accessoires qu'il n'est pas recommandé d'utiliser avec ce bloc-moteur. Une telle altération ou modification constituerait une utilisation abusive et pourrait créer une situation dangereuse avec risque de blessures graves.

⚠ AVERTISSEMENT : Retirez toujours le bloc-piles de ce produit lorsque vous assemblez des pièces, effectuez des réglages, faites un nettoyage ou n'utilisez pas le produit.

DÉBALLAGE

- Ce produit nécessite un assemblage.
- Retirez le produit et tous les accessoires de la boîte en prenant les précautions nécessaires. Assurez-vous que tous les articles indiqués sur la « **LISTE DES PIÈCES** » sont inclus.

⚠ AVERTISSEMENT : N'utilisez pas ce produit si de quelconques pièces figurant sur la « **LISTE DES PIÈCES** » sont déjà montées sur votre produit lorsque vous le sortez de son emballage. Les pièces figurant sur cette liste ne sont pas montées sur le produit par le fabricant. Elles nécessitent une installation par le client. L'utilisation d'un produit pouvant avoir été assemblé de façon incorrecte pourrait causer des blessures graves.

- Inspectez attentivement le produit pour vous assurer qu'aucun dommage ou bris de pièce(s) ne s'est produit pendant le transport.
- Ne jetez pas les matériaux d'emballage avant d'avoir inspecté attentivement le produit et de l'avoir mis en marche de façon satisfaisante.
- Si une pièce quelconque est endommagée ou manquante, veuillez rapporter le produit dans le magasin où vous l'avez acheté.

INSTALLATION D'UN ATTACHEMENT DU BLOC MOTEUR

⚠ AVERTISSEMENT : Lisez l'intégralité du mode d'emploi de chaque attachement en option utilisé avec ce bloc moteur, assurez-vous que vous le comprenez, et suivez tous les avertissements et toutes les instructions. La non-observation de toutes les instructions pourrait causer un choc électrique, un incendie, et/ou des blessures graves.

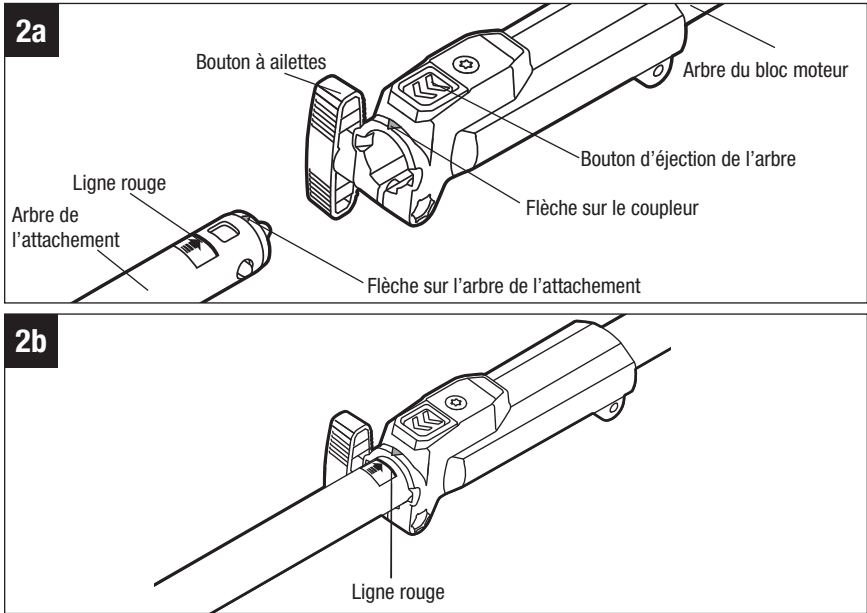
⚠ AVERTISSEMENT : Ce bloc moteur de 56 V est conçu pour être utilisé uniquement avec les modèles d'attachements EGO qui sont spécifiés dans ce mode d'emploi ou qui seront introduits ultérieurement par EGO pour être utilisés avec ce bloc moteur. L'utilisation d'autres attachements non autorisés pourrait entraîner des blessures graves ou des dommages matériels importants.

⚠ AVERTISSEMENT : Certains attachements ont des exigences spécifiques liées à la sécurité. Portez toujours une attention particulière à ces instructions dans le mode d'emploi qui accompagne chaque attachement.

⚠ AVERTISSEMENT : Ne fixez ou ne réglez jamais un attachement lorsque l'ensemble moteur est en marche ou lorsque la pile est installée. Si vous n'arrêtez pas le moteur et ne retirez pas la pile, vous risquez de vous blesser gravement. **N'UTILISEZ JAMAIS LE BLOC MOTEUR SANS ATTACHEMENT INSTALLÉ.**

L'attachement est relié au bloc moteur au moyen du coupleur.

1. Arrêtez le moteur et retirez le bloc-piles.
2. Desserrez le bouton à ailettes.
3. Retirez le capuchon de l'embout de l'arbre de l'attachement et conservez-le dans un endroit sûr en vue d'une utilisation future. Alignez la flèche de l'arbre de l'attachement sur la flèche du coupleur (Fig. 2a) et poussez l'arbre de l'attachement dans le coupleur jusqu'à ce que vous entendiez clairement un déclic. Le coupleur doit être positionné en étant enfoncé complètement, jusqu'à la LIGNE ROUGE inscrite sur l'arbre pour que l'arbre de l'attachement soit monté correctement à sa place (Fig. 2b).



4. Tirez sur l'arbre de l'attache-ment pour vérifier qu'il est bien verrouillé dans le coupleur. Si ce n'est pas le cas, faites tourner l'arbre de l'attache-ment d'un côté à l'autre dans le coupleur jusqu'à ce qu'il s'enclenche en place.
5. Serrez à fond le bouton à ailettes.

⚠ AVERTISSEMENT : Assurez-vous que le bouton à ailettes est serré à fond avant de mettre le produit en marche ; vérifiez-le de temps en temps pour vous assurer qu'il est bien serré pendant l'utilisation de la machine pour éviter tout risque de blessure grave.

RETRAIT DE L'ATTACHEMENT DU BLOC MOTEUR.

1. Arrêtez le moteur et retirez le bloc-piles.
2. Desserrez le bouton à ailettes.
3. Appuyez sur le bouton d'éjection de l'arbre et, avec le bouton enfoncé, tirez ou tournez l'attache-ment pour le faire sortir du coupleur

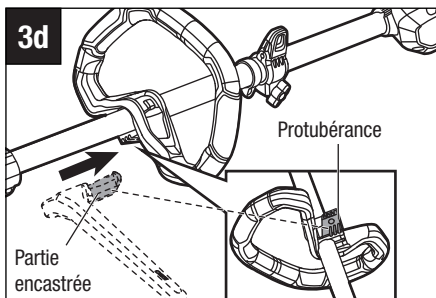
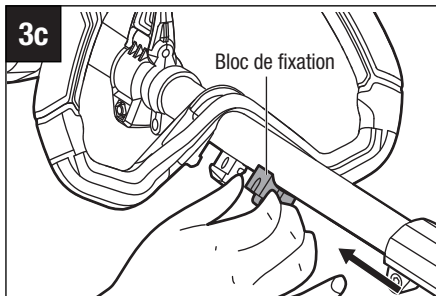
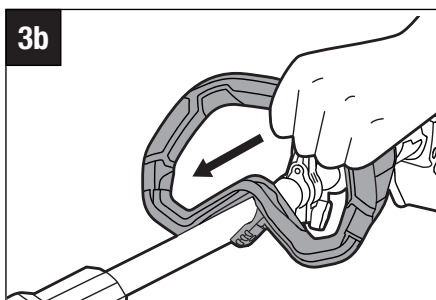
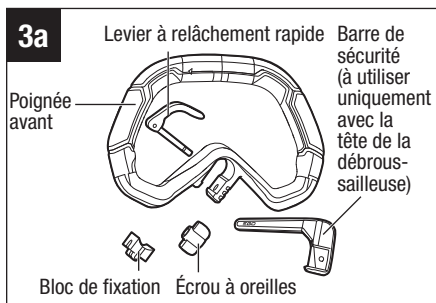
MONTAGE ET RÉGLAGE DE LA POIGNÉE AVANT

⚠ AVERTISSEMENT : Retirez toujours le bloc-piles de ce produit lorsque vous assemblez des pièces, effectuez des réglages, faites un nettoyage ou n'utilisez pas le produit.

1. Arrêtez le moteur et retirez le bloc-piles, s'il avait été installé.
2. Desserrez l'écrou à ailettes et retirez le levier à relâchement rapide, le bloc de fixation et l'écrou à oreilles de la poignée avant (Fig. 3a).

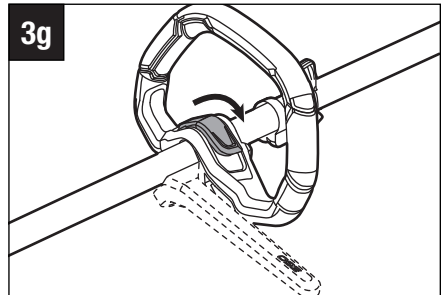
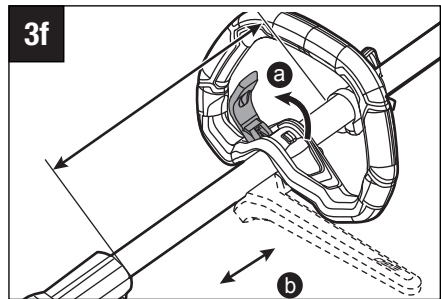
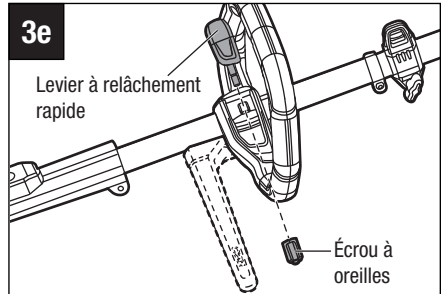
⚠ AVERTISSEMENT : Lorsque la machine est utilisée avec une tête de coupe à brosse, la barre de sécurité doit également être installée.

3. Poussez la poignée avant sur l'arbre entre l'anneau de seuil et coupleur, et assurez-vous que la poignée avant est positionnée vers le haut et pointe vers le haut de la poignée arrière (Fig. 3b).
4. Insérez le bloc de fixation dans la fente de la poignée (Fig. 3c).



5. Alignez la partie encastrée de la barre de sécurité sur la partie saillante de la poignée avant, puis appuyez sur la barre de sécurité pour la pousser vers la poignée avant (Fig. 3d).
6. Montez le levier à relâchement rapide et serrez l'écrou à oreilles (Fig. 3e).
7. Tirez le levier à relâchement rapide vers le haut pour déplacer/faire tourner la poignée avant jusqu'à une position de fonctionnement confortable (Fig. 3f).
8. Pliez le levier à relâchement rapide afin de sécuriser la poignée avant en position (Fig. 3g).

⚠ AVERTISSEMENT : N'utilisez jamais la machine sans que la poignée avant ne soit solidement sécurisée.



MONTAGE DE LA BRETELLE POUR PORT EN BANDOULIÈRE

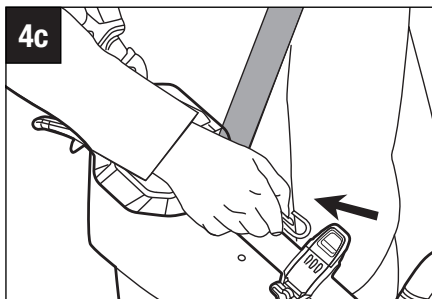
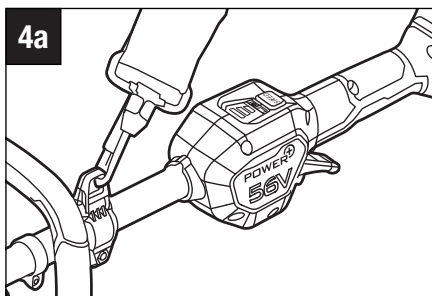
Appuyez sur le mousqueton de la sangle pour l'ouvrir et le fixer sur la boucle de la sangle de port en bandoulière (Fig. 4a).

Il existe deux façons de relâcher la sangle. Retirez-la directement de votre épaule (Fig. 4b) ou appuyez sur le mousqueton et déconnectez la sangle pour port en bandoulière de la boucle de la sangle pour port en bandoulière (Fig. 4c).

Lors du port de la sangle, aucun autre vêtement ne doit gêner le relâchement et le retrait de la sangle.

⚠ AVERTISSEMENT : En cas d'urgence, retirez-la de votre épaule immédiatement, quel que soit le sens d'engagement de la sangle.

Il ne faut pas utiliser la courroie à bretelle unique et la courroie à double bretelle en même temps.



FONCTIONNEMENT

⚠ AVERTISSEMENT : Ne laissez pas l'habitude de l'utilisation de ce produit vous empêcher de prendre toutes les précautions requises. N'oubliez jamais qu'une fraction de seconde d'inattention suffit pour entraîner de graves blessures.

⚠ AVERTISSEMENT : Utilisez toujours un équipement de protection des yeux avec des écrans latéraux indiquant qu'il est conforme à la norme ANSI Z87.1. Si vous ne portez pas un tel dispositif de protection, vous pourriez subir des blessures graves, y compris en conséquence de la projection d'objets dans vos yeux.

⚠ AVERTISSEMENT : N'utilisez pas d'attachements ou d'accessoires qui ne sont pas recommandés par le fabricant de ce produit. L'utilisation d'attachements ou d'accessoires qui ne sont pas recommandés peut causer des blessures graves.

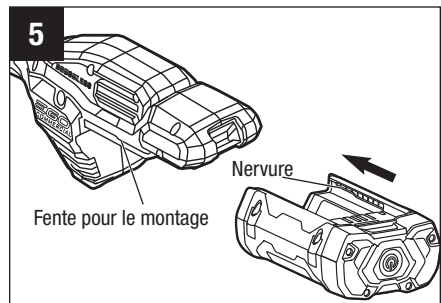
INSTALLATION/RETRAIT DU BLOC-PILES

⚠ AVERTISSEMENT : Retirez toujours le bloc-piles de ce produit lorsque vous assemblez des pièces, effectuez des réglages, faites un nettoyage ou n'utilisez pas le produit. Le retrait du bloc-piles empêchera une mise en marche accidentelle qui risquerait de causer des blessures graves.

REMARQUE : Chargez complètement le bloc-piles avant de vous en servir pour la première fois.

Installation du bloc-piles (Fig. 5)

1. Alignez les nervures du bloc-piles sur les fentes de montage de l'orifice conçu pour les piles dans le bloc moteur.
2. Enfoncez le bloc-piles dans l'orifice d'insertion des piles jusqu'à ce qu'il s'enclenche à sa place.



REMARQUE : Assurez-vous que le loquet de verrouillage en bas du bloc-piles se met bien en place et le bloc-piles est bien assujéti au bloc moteur avant de commencer à utiliser l'outil. Si le bloc-piles n'est pas bien fixé en place, il risque de tomber et de provoquer des blessures graves.

Retrait du bloc-piles (Fig. 6)

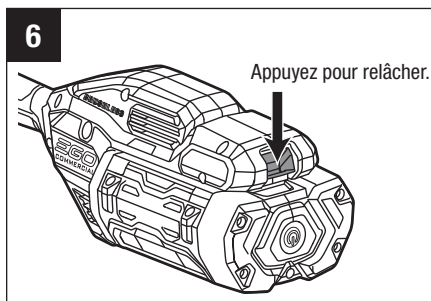
⚠ AVERTISSEMENT : Contrôlez toujours la position de vos pieds et les endroits où se trouvent les enfants et les animaux domestiques avant d'appuyer sur le bouton d'éjection du bloc-piles. La chute du bloc-piles pourrait causer des blessures graves. Ne retirez JAMAIS le bloc-piles lorsque vous vous trouvez à un endroit surélevé.

1. Tenez le bloc-piles dans la paume de votre main.
2. Appuyez sur le bouton d'éjection des piles avec votre pouce ; le bloc-piles se détachera alors du loquet de verrouillage.
3. Saisissez le bloc-piles et retirez-le du bloc moteur.

⚠ AVERTISSEMENT : Pour éviter toute blessure grave, retirez toujours le bloc-piles et gardez les mains à l'écart du levier de verrouillage en position désactivée et de la gâchette de réglage de la vitesse lorsque vous portez ou transportez la machine.

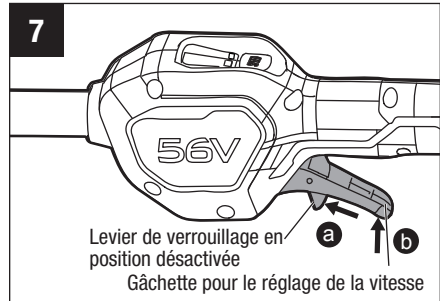
DÉMARRAGE/ARRÊT DU BLOC MOTEUR

⚠ AVERTISSEMENT : N'UTILISEZ JAMAIS LE BLOC MOTEUR SANS ATTACHEMENT INSTALLÉ. N'essayez pas de démarrer le bloc moteur sans attachement installé.



Mise en marche du bloc moteur (Fig. 7)

1. Poussez le levier de verrouillage en position désactivée vers l'avant, puis appuyez sur la gâchette de réglage de la vitesse. Le bloc moteur se mettra alors sous tension.
2. La vitesse de rotation de la machine est contrôlée par la gâchette de réglage de la vitesse. Une pression plus forte sur la gâchette produit une vitesse plus élevée ; une pression réduite sur la gâchette produit une vitesse plus basse. Réglez la vitesse en fonction de la tâche à accomplir.



REMARQUE : Le moteur ne se met en marche que lorsque le levier de verrouillage en position désactivée est déplacé vers l'avant et lorsque la gâchette de réglage de la vitesse est comprimée en même temps.

Arrêt du bloc moteur

Déplacez l'attache dans le sens opposé à la zone de coupe et relâchez la gâchette de réglage de la vitesse pour arrêter le bloc moteur.

⚠ AVERTISSEMENT : Retirez toujours le bloc-piles du bloc moteur pendant les pauses et après avoir fini votre travail.

Changement du mode de réglage de la vitesse (Fig. 8)

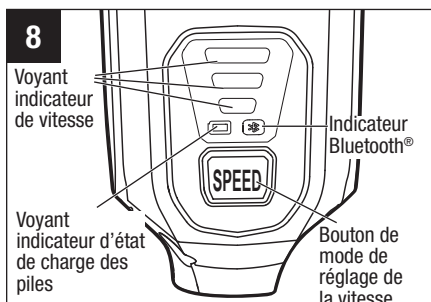
Cette machine dispose de trois modes de réglage de la vitesse.

Le mode de réglage de la vitesse change à chaque fois que l'on appuie sur le bouton de mode de réglage de la vitesse.

L'indicateur de vitesse indiquera le mode de vitesse actif : une lumière pour une vitesse lente, deux lumières pour une vitesse intermédiaire et trois lumières pour une vitesse élevée. Le mode de vitesse lente permet un meilleur contrôle de la machine et une autonomie de fonctionnement plus longue par charge.

REMARQUE : Le mode de réglage de la vitesse peut être réglé avant la mise en marche de la machine ou pendant son fonctionnement.

Lorsque la machine est remise en marche après une pause, la vitesse revient automatiquement à la vitesse précédente.



INDICATEUR D'ÉTAT DE CHARGE DES PILES ET INDICATEUR DE VITESSE

L'indicateur (voyant) d'état de charge des piles indique le niveau de charge et l'état de fonctionnement des piles, et l'indicateur (voyant) de vitesse indique l'état de fonctionnement de la machine, comme le montre le tableau ci-dessous. Le voyant d'état de charge des piles et le voyant indiquant la vitesse s'allument lorsque la machine est mise en marche ou lorsque le bouton de mode de vitesse est enfoncé.

Indicateurs/voyants		Signification	
Indicateur d'état de charge des piles	Allumé continuellement en vert		Niveau de charge des piles entre 20 % et 100 %
	Clignotant en vert		Niveau de charge des piles entre 10 % et 20 %
	Allumé continuellement en rouge		Niveau de charge des piles inférieur à 10 %
	Clignotant en rouge		Le bloc-piles est presque complètement déchargé, et il doit être rechargé immédiatement.
	Allumé continuellement en orange		Le bloc-piles est en état de surchauffe. Refroidissez le bloc-piles jusqu'à ce que sa température descende en dessous de 67 °C / 152 °F. Voir « Protection contre les hautes températures des piles » ci-dessous.
	Clignotant en rouge/vert en alternance		Erreur de l'électronique du bloc-piles. Remplacez le bloc-piles ou contactez un centre de service après-vente EGO. Voir « Protection contre les erreurs de l'électronique du bloc-piles ».
Indicateur de vitesse (l'illustration montre la vitesse élevée)	Allumé continuellement en vert		La machine fonctionne correctement.
	Allumé continuellement en orange		La machine est en état de surchauffe. Refroidissez la machine jusqu'à ce que la température soit inférieure à 80 °C / 176 °F. Voir « Protection contre les hautes températures des machines » ci-dessous.
	Clignotant en orange		La machine est en état de surcharge. Voir « Protection contre la surcharge de la machine » ci-dessous.

Protection contre les hautes températures des piles

Si la température des piles dépasse 70 °C / 158 °F pendant le fonctionnement, le circuit de protection contre les hautes températures éteint immédiatement la machine pour protéger le bloc-piles contre les dommages pouvant être causés par une chaleur excessive. Le voyant d'état de fonctionnement s'allumera et brillera continuellement en orange. Relâchez la gâchette et attendez que la pile surchauffée refroidisse et que le voyant indicateur d'état de fonctionnement devienne vert, puis redémarrez la machine.

Protection contre les erreurs de l'électronique du bloc-piles

En cas d'erreur de l'électronique du bloc-piles, le voyant indicateur de l'état des piles clignotera alternativement en rouge et en vert, et la machine s'éteindra au bout de trois secondes. Remplacez le bloc-piles ou contactez un centre de service après-vente EGO.

Protection contre la surcharge de la machine

Cette machine est équipée d'un circuit de protection contre les surcharges. Lorsque la machine est en état de surcharge, le moteur s'arrête et le voyant indicateur de surcharge clignote en orange. Retirez le bloc-piles de la machine, puis remettez-le en place et redémarrez la machine. Diminuez la charge sur la machine et évitez les lignes de coupe trop longues ou surdimensionnées ou la coupe d'arbustes lourds/ligneux.

Protection contre les hautes températures des machines

Si la température de la machine dépasse 90 °C / 194 °F pendant le fonctionnement, le circuit de protection contre les hautes températures éteint immédiatement la machine pour la protéger contre les dommages causés par une chaleur excessive. Le voyant indicateur de vitesse s'allumera et brillera continuellement en orange. Relâchez la gâchette et attendez que la machine surchauffée refroidisse et que le voyant indicateur de vitesse brille en vert, puis redémarrez la machine.

TECHNOLOGIE SANS FIL BLUETOOTH®

Les produits intégrant la technologie sans fil Bluetooth® peuvent se connecter à des appareils mobiles utilisant des applis EGO. Veuillez consulter le site www.egopowerplus.com/commercial pour obtenir des instructions. Vous trouverez des conseils dans l'application EGO Connect App sur la façon de connecter et d'utiliser la fonction Bluetooth®.

MAINTENANCE

⚠ AVERTISSEMENT : Avant d'inspecter, de nettoyer ou d'entretenir l'appareil, arrêtez le moteur, attendez l'arrêt de toutes les pièces mobiles et retirez le bloc-piles. Le non-respect de toutes les instructions risquerait de causer des blessures graves ou des dommages matériels.

⚠ AVERTISSEMENT : Lors de toute réparation, n'utilisez que des pièces de rechange identiques. L'utilisation de toutes autres pièces pourrait créer un danger ou endommager le produit.

MAINTENANCE GÉNÉRALE

AVIS : Avant chaque utilisation, inspectez périodiquement l'intégralité du produit pour vous assurer qu'il n'y a pas de pièces endommagées, manquantes ou desserrées comme des vis, des écrous, des boulons, des capuchons, etc. Serrez à fond tous les dispositifs de fixation et capuchons, et ne vous servez pas de ce produit avant que toutes les pièces manquantes ou endommagées aient été remplacées. Veuillez contacter le service à la clientèle ou un centre de service après-vente agréé pour obtenir de l'assistance.

NETTOYAGE DU BLOC MOTEUR

Évitez d'utiliser des solvants lorsque vous nettoyez des pièces en plastique. La plupart des plastiques sont susceptibles d'être endommagés par divers types de solvants commerciaux, et ils pourraient l'être si vous les utilisez. Utilisez des chiffons propres pour retirer les saletés, la poussière, l'huile, la graisse, etc.

⚠ AVERTISSEMENT : Ne laissez jamais de liquide de frein, d'essence, de produits à base de pétrole, d'huiles pénétrantes, etc. entrer en contact avec des composants en plastique. Les produits chimiques peuvent endommager, affaiblir ou détruire le plastique, ce qui pourrait causer des blessures graves.

AVIS : N'utilisez pas de détergents trop forts sur le boîtier en plastique ou sur la poignée. Ces composants pourraient être endommagés par certaines huiles aromatiques comme le pin et le citron, et par des solvants tels que le kérosène.

1. Arrêtez le moteur et retirez le bloc-piles.
2. Nettoyez les saletés et les débris du bloc moteur à l'aide d'un chiffon humide et d'un détergent doux.

RANGEMENT DU BLOC MOTEUR

1. Détachez le bloc-piles du bloc moteur avant de le ranger.
2. Nettoyez tous les corps étrangers pouvant se trouver sur le bloc moteur.
3. Rangez le bloc moteur à un endroit qui est hors de portée des enfants.
4. Tenez-le à distance des agents corrosifs tels que des produits chimiques de jardins et des sels pour faire fondre la glace.

RECHERCHE DE LA CAUSE DES PROBLÈMES

Voir le mode d'emploi de l'attacheement concerné.

GARANTIE LIMITÉE D'EGO

CONDITIONS ET DURÉE DE LA POLITIQUE DE GARANTIE

Chervon North America, Inc. (« Chervon North America ») accorde la Garantie limitée suivante pour les produits EGO à l'acheteur initial de produits EGO.

La période de garantie détaillée de chaque produit EGO est indiquée en ligne à l'adresse <http://egopowerplus.com/warranty-policy>.

Veillez contacter le Service à la clientèle d'EGO en téléphonant au 1-855-EGO-5656 (appel gratuit) à tout moment en cas de questions, si vous voulez vous prévaloir de la garantie ou si vous souhaitez obtenir une version sur papier de la garantie.

GARANTIE LIMITÉE DE SERVICE APRÈS-VENTE

Les produits EGO sont garantis contre tout défaut de matériel ou de fabrication à partir de la date d'achat au détail originale et pendant la période de garantie applicable. Pour toute demande de garantie soumise correctement et dans les délais, si Chervon North America détermine qu'un produit est défectueux pendant la période de garantie, le produit sera réparé ou remplacé gratuitement, selon ce qui aura été déterminé par Chervon North America.

COMMENT OBTENIR DE L'ASSISTANCE DANS LE CADRE DU SERVICE APRÈS-VENTE

Pour obtenir de l'assistance dans le cadre de la garantie (pendant la période de garantie applicable), veuillez contacter le service à la clientèle d'EGO en téléphonant au **1-855-EGO-5656** (appel gratuit). Lorsque vous demandez de l'assistance dans le cadre de la garantie, vous devez présenter le reçu de vente original daté. Un centre de service après-vente agréé sera sélectionné pour évaluer et réparer le produit défectueux conformément aux conditions de garantie énoncées. Lorsque vous apportez votre produit au centre de service après-vente agréé, il se peut qu'une petite caution vous soit demandée lors du dépôt de votre outil. Cette caution est remboursable lorsque le service de réparation est considéré comme étant couvert par la garantie. Il incombe à l'acheteur d'effectuer le transport de tous les équipements électriques d'extérieur ou attachements à ses frais.

LIMITATIONS ET EXCLUSIONS SUPPLÉMENTAIRES

Cette garantie limitée ne s'applique qu'à l'acheteur initial d'un produit à un revendeur agréé EGO, et elle ne peut pas être cédée. Les produits EGO ne sont pas considérés comme défectueux et la présente garantie ne s'applique pas lorsque le défaut invoqué est imputable à une cause autre que les défauts définis ci-dessus. Cette garantie est nulle et non avenue si le produit a été utilisé à des fins de location. La présente garantie ne s'applique pas aux dommages causés par un accident, un abus, une mauvaise utilisation, une altération, une modification, une réparation non autorisée, un contact avec un liquide, un incendie, un tremblement de terre ou toute autre cause externe ; par une utilisation du produit en dehors des instructions, spécifications ou directives d'EGO ; ou par un manquement à l'entretien ou à la maintenance convenable du produit. Cette garantie ne s'applique pas non plus aux dommages esthétiques, y compris, mais sans s'y limiter, les rayures ou les bosses, ainsi qu'aux défauts causés par l'usure normale ou autrement dus au vieillissement normal du produit.

CETTE GARANTIE EXPRESSE EST DONNÉE EN LIEU ET PLACE DE TOUTE AUTRE GARANTIE, EXPRESSE OU IMPLICITE, Y COMPRIS, MAIS SANS S'Y LIMITER, TOUTE GARANTIE DE QUALITÉ MARCHANDE OU D'ADÉQUATION À UN USAGE PARTICULIER, QUI EST REJETÉE. Toute garantie implicite, y compris la garantie de qualité marchande ou d'adéquation à un usage particulier qui ne peut être rejetée en vertu de la loi de l'État ou de la province est limitée à la période de garantie applicable définie au début de cet article. Le seul et unique recours en rapport avec l'achat, l'installation, l'utilisation et/ou la performance des produits EGO est la réparation ou le remplacement du produit selon la décision de Chervon North America. La responsabilité maximale de Chervon North America ne dépassera en aucun cas le prix d'achat payé pour le produit. CHERVON NORTH AMERICA NE SERA PAS RESPONSABLE ENVERS L'UTILISATEUR OU TOUTE AUTRE PERSONNE DES DOMMAGES CONSÉCUTIFS, ACCIDENTELS, SPÉCIAUX, EXEMPLAIRES, INDIRECTS OU PUNITIFS RÉSULTANT DE L'UTILISATION DES PRODUITS, Y COMPRIS, MAIS SANS S'Y LIMITER, LES PRÉJUDICES CORPORELS, LA MORT, LES DOMMAGES MATÉRIELS, LA PERTE DE BÉNÉFICES OU TOUT AUTRE DOMMAGE ÉCONOMIQUE. Cette garantie vous confère des garanties juridiques particulières, et vous pouvez aussi avoir d'autres droits, qui varient selon l'État ou la province. Étant donné que certains États et certaines provinces ne permettent pas de limitations quant à la durée d'une garantie implicite ou ne permettent pas l'exclusion ou la limitation des dommages indirects ou secondaires, ou le délai de prescription pour intenter certaines actions, il est possible que les limitations contenues aux présentes ne s'appliquent pas à consommateurs dans ces États ou provinces.



Cette garantie est soumise au droit du Michigan et doit être interprétée conformément au droit du Michigan sans tenir compte des principes de conflits de lois. Aucune action en justice ne pourra être intentée contre Chervon North America si elle n'est pas déposée dans un délai d'un (1) an après que le fondement de cette action en justice aura été connu, ou qu'il aurait dû l'être si une diligence raisonnable avait été exercée. Toute action non intentée dans les délais est réputée abandonnée.

Pour le service à la clientèle, contactez-nous en téléphonant au numéro suivant (appel gratuit) : **1-855-EGO-5656** ou **EGOPOWERPLUS.COM**.

EGO Customer Service,

769 Seward Ave. NW, Suite 102,

Grand Rapids, Michigan 49504. For customer service contact us toll-free at: **1-855-**

EGO-5656 or

EGOPOWERPLUS.COM.

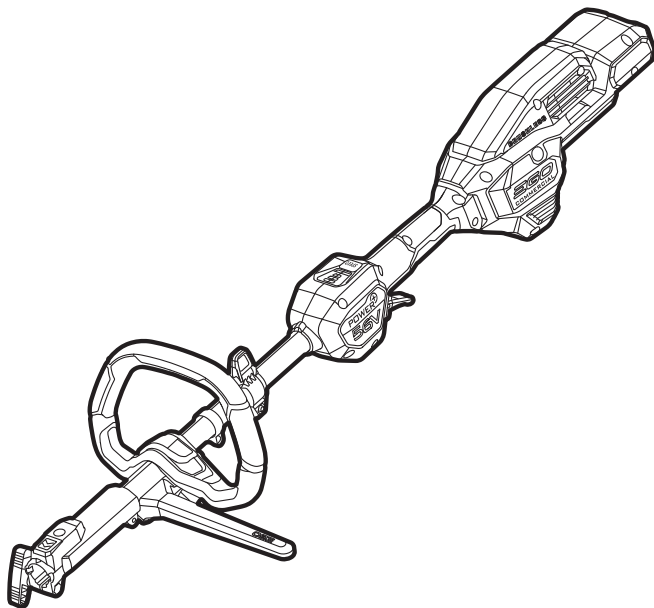
EGO Customer Service

769 Seward Ave. NW, Suite 102

Grand Rapids, Michigan 49504.

EGO™

COMMERCIAL



PARA UTILIZARSE CON ADITAMENTOS DE
CABEZAL MOTRIZ EGO

MANUAL DEL OPERADOR

CABEZAL MOTRIZ COMERCIAL DE ION LITIO DE 56 V

MODELO NÚMERO PHX1600/PHX1600-FC

⚠ ADVERTENCIA: para reducir el riesgo de lesiones, el usuario debe leer y comprender el Manual del usuario antes de usar este producto. Guarde estas instrucciones para consultarlas en el futuro.

¡LEA TODAS LAS INSTRUCCIONES!



LEA Y ENTIENDA EL
MANUAL DEL OPERADOR

ÍNDICE

Símbolos de seguridad	69
Símbolos	70-71
Instrucciones generales de seguridad.....	72-77
Introducción.....	78
Especificaciones	79
Lista de empaquetamiento	79
Descripción	80-82
Ensamblaje	83-88
Utilización	89-94
Mantenimiento.....	95-96
Resolución de problemas	97
Garantía limitada de EGO.....	98-100

SÍMBOLOS DE SEGURIDAD

El propósito de los símbolos de seguridad es alertarlo sobre posibles peligros. Los símbolos de seguridad y sus explicaciones merecen una atención y comprensión minuciosas. Las advertencias de los símbolos, por sí mismas, no eliminan los peligros. Las instrucciones y las advertencias no sustituyen las medidas de prevención de accidentes que correspondan.

⚠ ADVERTENCIA: Antes de utilizar esta herramienta, asegúrese de leer y comprender todas las instrucciones de seguridad en este Manual del propietario, incluidos todos los símbolos de alerta de seguridad como “**PELIGRO**”, “**ADVERTENCIA**” y “**PRECAUCIÓN**”. No seguir todas las instrucciones que se indican a continuación podría resultar en descargas eléctricas, incendios y/o lesiones personales graves.

Las definiciones que aparecen a continuación describen el nivel de gravedad de cada palabra de aviso. Por favor, lea el manual y preste atención a estos símbolos.	
	Este es el símbolo de alerta de seguridad. Se utiliza para alertarle a usted de posibles peligros de lesiones corporales. Obedezca todos los mensajes de seguridad que sigan a este símbolo para evitar posibles lesiones o la muerte.
	PELIGRO indica una situación peligrosa que, si no se evita, causará la muerte o lesiones graves.
	ADVERTENCIA indica una situación peligrosa que, si no se evita, podría causar la muerte o lesiones graves.
	PRECAUCIÓN , utilizada con el símbolo de alerta de seguridad, indica una situación peligrosa que, si no se evita, podría causar lesiones leves o moderadas.

MENSAJES DE PREVENCIÓN DE DAÑOS E INFORMACIÓN


Estos mensajes ofrecen al usuario información y/o instrucciones importantes que, de no seguirse, podrían causar daños al equipo u otros daños materiales. Antes de cada mensaje, aparece la palabra “**AVISO**”, como en el ejemplo a continuación:

AVISO: Si no se siguen estas instrucciones se pueden producir daños al equipo y/o daños materiales.

SÍMBOLOS

Esta página muestra y describe los símbolos de seguridad que es posible que aparezcan en este producto. Lea, entienda y siga todas las instrucciones que se encuentran en la máquina antes de intentar ensamblarla y utilizarla.

	Alerta de seguridad	Indica un peligro potencial de producir lesiones.
	Lea y comprenda el Manual del usuario	Para reducir el riesgo de lesiones, el usuario debe leer y comprender el Manual del usuario antes de usar este producto.
	Use lentes de protección	Use siempre gafas de seguridad o anteojos con protección lateral y un protector facial al operar este producto.
	Símbolo de reciclaje	Este producto usa baterías de iones de litio (Li-ion). Es posible que las leyes municipales, provinciales o nacionales prohíban desechar las baterías con los residuos comunes. Consulte a la autoridad local en materia de residuos sobre las opciones de eliminación y reciclaje disponibles.
	Desconecte la batería antes de realizar mantenimiento	Alerta al usuario para que desconecte la batería antes de realizar mantenimiento.
	Bluetooth®	Símbolo de Bluetooth®
	Peligro de ingestión	Este producto contiene una batería tipo botón o tipo moneda.
IP...	Grado de protección contra la penetración	Clasifica el grado de protección proporcionada por un recinto cerrado para equipos eléctricos.
V	Voltio	Voltaje

mm	milímetro	Longitud o tamaño
cm	Centímetro	Longitud o tamaño
in.	Pulgada	Longitud o tamaño
kg	Kilogramo	Peso
lb	Libra	Peso
	Corriente continua	Tipo o característica de la corriente
°C	Grados Celsius	Temperatura
°F	Grados Fahrenheit	Temperatura

INSTRUCCIONES GENERALES DE SEGURIDAD

⚠ ¡ADVERTENCIA! Lea todas las advertencias de seguridad, instrucciones, ilustraciones y especificaciones que se suministran con esta máquina. Si no se siguen todas las instrucciones que se indican a continuación, es posible que el resultado sea descargas eléctricas, incendio y/o lesiones graves.

GUARDE TODAS LAS ADVERTENCIAS E INSTRUCCIONES PARA REFERENCIA FUTURA.

El término “máquina” que se incluye en las advertencias se refiere a su máquina alimentada por la red eléctrica (alámbrica) o su máquina alimentada por baterías (inalámbrica).

Seguridad en el área de trabajo

- **Mantenga el área de trabajo limpia y bien iluminada.** Las áreas desordenadas u oscuras invitan a que se produzcan accidentes.
- **No utilice máquinas en atmósferas explosivas, tales como las existentes en presencia de líquidos, gases o polvos inflamables.** Las máquinas generan chispas que es posible que prendan los polvos o los vapores.
- **Mantenga alejados a los niños y los curiosos mientras esté utilizando una máquina.** Las distracciones pueden hacer que usted pierda el control de la máquina.

Seguridad eléctrica

- **Los enchufes de las máquinas deben coincidir con el tomacorriente. No modifique nunca el enchufe de ninguna manera. No utilice enchufes adaptadores con máquinas conectadas a tierra (puestas a masa).** Los enchufes no modificados y los tomacorrientes coincidentes reducirán el riesgo de descargas eléctricas.
- **Evite el contacto del cuerpo con las superficies conectadas a tierra o puestas a masa, tales como tuberías, radiadores, estufas de cocina y refrigeradores.** Hay un mayor riesgo de descargas eléctricas si su cuerpo está conectado a tierra o puesto a masa.
- **No utilice la máquina en la lluvia ni en condiciones mojadas.** Es posible que la entrada de agua en la máquina aumente el riesgo de descargas eléctricas o funcionamiento incorrecto que podrían causar lesiones corporales.

- **No maltrate el cable. No utilice nunca el cable para transportar, jalar o desenchufar la máquina. Mantenga el cable alejado del calor, el aceite, los bordes afilados o las piezas móviles.** Los cables dañados o enredados aumentan el riesgo de descargas eléctricas.
- **Cuando utilice una máquina a la intemperie, use un cable de extensión que sea adecuado para uso a la intemperie.** La utilización de un cable de extensión adecuado para uso a la intemperie reduce el riesgo de descargas eléctricas.
- **Si es inevitable utilizar una máquina en un lugar húmedo, utilice una fuente de alimentación protegida por un interruptor de circuito accionado por corriente de pérdida a tierra (GFCI, por sus siglas en inglés).** El uso de un GFCI reduce el riesgo de descargas eléctricas.

Seguridad personal

- **Manténgase alerta, fíjese en lo que está haciendo y use el sentido común cuando utilice una máquina. No utilice una máquina cuando esté cansado o bajo la influencia de drogas, alcohol o medicamentos.** Es posible que un momento de desatención mientras se estén utilizando máquinas cause lesiones corporales graves.
- **Use equipo de protección personal. Use siempre protección ocular.** El equipo de protección, tal como una máscara antipolvo, zapatos de seguridad antideslizantes, casco o protección de la audición, utilizado según lo requieran las condiciones, reducirá las lesiones corporales.
- **Prevenga los arranques accidentales. Asegúrese de que el interruptor esté en la posición de apagado antes de conectar la máquina a la fuente de alimentación y/o al paquete de batería, levantar la máquina o transportarla.** Si se transportan máquinas con el dedo en el interruptor o si se suministra corriente a máquinas que tengan el interruptor en la posición de encendido se invita a que se produzcan accidentes.
- **Retire todas las llaves de ajuste o de tuerca antes de encender la máquina.** Es posible que una llave de ajuste o de tuerca que se deje sujeta a una pieza móvil de la máquina cause lesiones corporales.
- **No intente alcanzar demasiado lejos. Mantenga un apoyo de los pies y un equilibrio adecuados en todo momento.** Esto permite un mejor control de la máquina en situaciones inesperadas.
- **Vístase adecuadamente. No use ropa holgada ni joyas. Mantenga el pelo y la ropa alejados de las piezas móviles.** La ropa holgada, las joyas o el pelo largo pueden quedar atrapados en las piezas móviles.

- **Si se proporcionan dispositivos para la conexión de instalaciones de extracción y recolección de polvo, asegúrese de que dichos dispositivos estén conectados y se utilicen correctamente.** El uso de dispositivos de recolección de polvo puede reducir los peligros relacionados con el polvo.
- **No deje que la familiaridad obtenida del uso frecuente de las máquinas le permita volverse complaciente e ignorar los principios de seguridad de las máquinas.** Una acción descuidada puede causar lesiones graves en una fracción de segundo.

Uso y cuidado de las máquinas

- **No fuerce la máquina. Utilice la máquina correcta para la aplicación que vaya a realizar.** La máquina correcta hará el trabajo mejor y de manera más segura a la capacidad nominal para la que fue diseñada.
- **No utilice la máquina si el interruptor no la enciende y apaga.** Cualquier máquina que no se pueda controlar con el interruptor es peligrosa y debe ser reparada.
- **Desconecte el enchufe de la fuente de alimentación y/o retire el paquete de batería de la máquina, si es retirable, antes de hacer cualquier ajuste, cambiar accesorios o almacenar máquinas.** Dichas medidas preventivas de seguridad reducen el riesgo de arrancar accidentalmente la máquina.
- **Guarde las máquinas inactivas fuera del alcance de los niños y no deje que las personas que no estén familiarizadas con la máquina o con estas instrucciones utilicen la máquina.** Las máquinas son peligrosas en las manos de los usuarios que no hayan recibido capacitación.
- **Realice mantenimiento de las máquinas y los accesorios. Compruebe si hay desalineación o atoramiento de las piezas móviles, rotura de piezas y cualquier otra situación que pueda afectar al funcionamiento de la máquina. Si la máquina está dañada, haga que la reparen antes de utilizarla.** Muchos accidentes son causados por máquinas que reciben un mantenimiento deficiente.
- **Mantenga las máquinas de corte afiladas y limpias.** Las máquinas de corte mantenidas adecuadamente, con bordes de corte afilados, tienen menos probabilidades de atorarse y son más fáciles de controlar.
- **Utilice la máquina, los accesorios, las brocas de la máquina, etc., de acuerdo con estas instrucciones, teniendo en cuenta las condiciones de trabajo y el trabajo que se vaya a realizar.** El uso de la máquina para operaciones distintas a las previstas podría causar una situación peligrosa.

- **Mantenga los mangos y las superficies de agarre secos, limpios y libres de aceite y grasa.** Es posible que los mangos resbalosos y las superficies de agarre resbalosas no permitan un manejo y un control seguros de la máquina en situaciones inesperadas.

Uso y cuidado de las máquinas a batería

- **Recargue las baterías solo con el cargador especificado por el fabricante.** Es posible que un cargador que sea adecuado para un tipo de paquete de batería cree un riesgo de incendio cuando se utilice con otro paquete de batería.
- **Utilice las máquinas solo con paquetes de batería designados específicamente.** Es posible que el uso de cualquier otro paquete de batería cree un riesgo de lesiones e incendio.
- **Cuando el paquete de batería no se esté utilizando, manténgalo alejado de otros objetos metálicos, tales como clips sujetapapeles, monedas, llaves, clavos, tornillos u otros objetos metálicos pequeños, que puedan hacer una conexión de un terminal al otro.** Si se cortocircuitan juntos los terminales de la batería, es posible que se causen quemaduras o un incendio.
- **En condiciones abusivas es posible que se expulse líquido de la batería; evite el contacto. Si se produce contacto accidentalmente, enjuáguese con agua.** Si el líquido entra en contacto con los ojos, obtenga además ayuda médica. Es posible que el líquido expulsado de la batería cause irritación o quemaduras.
- **No utilice un paquete de batería o una máquina que estén dañados o modificados.** Es posible que las baterías dañadas o modificadas exhiban un comportamiento imprevisible que cause incendio, explosión o riesgo de lesiones.
- **No exponga un paquete de batería o una máquina a un fuego o a una temperatura excesiva.** Es posible que la exposición a un fuego o a una temperatura superior a 265 °F (130 °C) cause una explosión.
- **Siga todas las instrucciones de carga y no cargue el paquete de batería ni la máquina fuera del intervalo de temperatura especificado en las instrucciones.** Es posible que la realización de la carga de manera inadecuada o a temperaturas que estén fuera del intervalo especificado dañe la batería y aumente el riesgo de incendio.

Servicio de ajustes y reparaciones

- **Haga que su máquina reciba servicio de ajustes y reparaciones por un técnico de reparaciones calificado que utilice únicamente piezas de**

repuesto idénticas. Esto garantizará que se mantenga la seguridad de la máquina.

- **No haga nunca servicio de ajustes y reparaciones de paquetes de batería dañados.** El servicio de ajustes y reparaciones de los paquetes de batería deberá ser realizado solo por el fabricante o por proveedores de servicio autorizados.

Normas de seguridad específicas para cabezales eléctricos

- **Utilice la máquina solo con los paquetes de batería y los cargadores que se indican a continuación:**

BATERÍA	CARGADOR
BA1400, BA1400-FC, BA2800, BA2800-FC, BA4200, BA4200-FC, BA1400T, BA1400T-FC, BA2242T, BA2242T-FC, BA2800T, BA2800T-FC, BA3360T, BA3360T-FC, BA4200T, BA4200T-FC, BA4480T, BA4480T-FC, BA5600T, BA5600T-FC, BA6720T, BA6720T-FC	CH2100, CH2100-FC, CH3200, CH3200-FC, CH5500, CH5500-FC, CH2800D, CH2800D-FC, CH7000, CH7000-FC

- **Este cabezal motriz de 56 V PHX1600/PHX1600-FC solo se puede utilizar con los siguientes aditamentos EGO:**

TIPO DE ADITAMENTO	NÚMERO DE MODELO
Aditamento de orilladora de hilo	STA1500/STA1500-FC/STA1600/STA1600-FC
Aditamento de desbrozadora	BCA1220/BCA1220-FC
Aditamento de orilladora de arbustos	HTA2000/HTA2000-FC/HTA2020/HTA2020-FC
Aditamento de sierra de pértiga	PSA1000/PSA1000-FC/PSA1020/PSA1020-FC
Aditamento de bordeadora	EA0800/EA0800-FC/EA0820/EA0820-FC
Aditamento de cultivador	CTA9500/CTA9500-FC
Aditamento de cepillo de cerdas	BBA2100/BBA2100-FC
Aditamento de escoba de caucho	RBA2100/RBA2100-FC
Aditamento de pala quitanieves	SSA1200/SSA1200-FC

¡GUARDE ESTAS INSTRUCCIONES!

LAS NORMAS DE SEGURIDAD ESPECÍFICAS ADICIONALES SE PUEDEN ENCONTRAR EN EL MANUAL DEL OPERADOR DEL ADITAMENTO QUE CORRESPONDA

BATERÍA TIPO MONEDA

- Este producto contiene baterías no reemplazables.
- Retire y recicle o deseché inmediatamente las baterías usadas, de acuerdo con los reglamentos locales, y manténgalas fuera del alcance de los niños. NO deseché las baterías en la basura doméstica ni las incinere.
- Es posible que incluso las baterías usadas causen lesiones graves o la muerte.
- Llame a un centro local de control de envenenamientos para obtener información de tratamiento.
- El tipo de batería tipo moneda: ICB1250 E6
- Tensión nominal de la batería tipo moneda: 3,85 V
- Las baterías no recargables no se deben recargar.
- No descargue ni recargue forzosamente, desarme, caliente 140°F (60°C) ni incinere las baterías. Si hace alguna de estas cosas, es posible que el resultado sea lesiones debido a venteo, fuga o explosión que causen quemaduras químicas.

ADVERTENCIA

- **PELIGRO DE INGESTIÓN:** Este producto contiene una batería tipo botón o tipo moneda.
- Si se ingiere, el resultado puede ser la **MUERTE** o lesiones graves.
- Si se traga, una batería tipo botón o tipo moneda puede causar **quemaduras químicas internas** en tan poco tiempo como **2 horas**.
- **MANTENGA** las baterías nuevas y usadas **FUERA DEL ALCANCE DE LOS NIÑOS**.
- **Obtenga atención médica inmediata** si se sospecha que una batería se ha tragado o se ha insertado dentro de cualquier parte del cuerpo.



INTRODUCCIÓN

Felicitaciones por su selección del cabezal motriz de ion litio de 56 V EGO COMERCIAL. Este cabezal motriz ha sido diseñado, concebido y fabricado para ofrecerle a usted la mejor confiabilidad y el mejor rendimiento posibles.


En el caso de que tenga cualquier problema que no pueda resolver fácilmente, sírvase contactar al centro de servicio al cliente de EGO llamando al 1-855-EGO-5656.

Este manual contiene información importante sobre el ensamblaje, la utilización y el mantenimiento seguros de su producto. Léalo detenidamente antes de utilizar el producto. Tenga este manual al alcance de la mano para poder consultarlo en cualquier momento.

NÚMERO DE SERIE _____ FECHA DE COMPRA _____

USTED DEBERÍA ANOTAR TANTO EL NÚMERO DE SERIE COMO LA FECHA DE COMPRA Y GUARDARLOS EN UN LUGAR SEGURO PARA REFERENCIA FUTURA.

ESPECIFICACIONES

Tensión	56V 
Peso	6,5 lb (2,95 kg)
Temperatura de funcionamiento recomendada	5 – 104 °F (-15 – 40 °C)
Temperatura de almacenamiento recomendada	-4 – 158 °F (-20 – 70 °C)
Calificación de protección contra la penetración	IPX5* (protección contra los chorros de agua)

* **NOTA:** La calificación IPX5 se basa en que la máquina y la batería se utilicen juntas como un sistema.

ACCESORIOS RECOMENDADOS

NOMBRE DE LA PIEZA	NÚMERO DE MODELO
Bandolera	AP1500

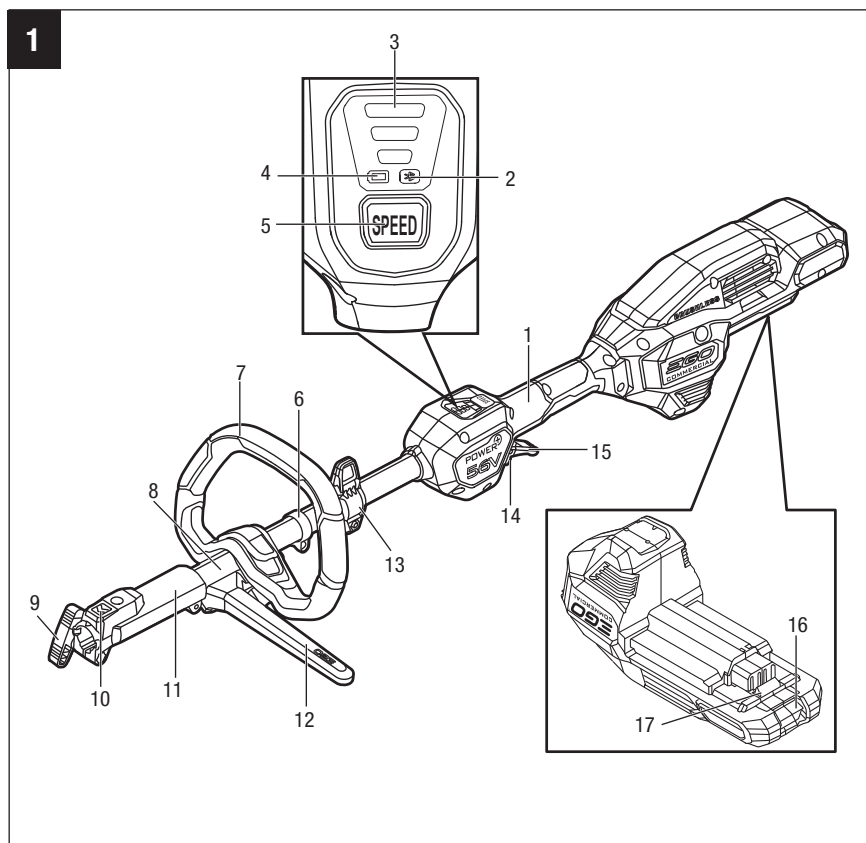
LISTA DE EMPAQUETAMIENTO

NOMBRE DE LA PIEZA	CANTIDAD
Cabezal motriz	1
Empuñadura delantera	1
Manual del operador	1
Barra de barrera de seguridad (para utilizarse solo con el cabezal de desbrozadora)	1

DESCRIPCIÓN

CONOZCA SU CABEZAL MOTRIZ (Fig. 1)

El uso seguro de este producto requiere entender la información que se encuentra en la máquina y en este manual del operador, así como tener conocimiento del proyecto que se esté intentando realizar. Antes de utilizar este producto, familiarícese con todas las características de funcionamiento y todas las normas de seguridad.



- | | |
|--------------------------------------|---------------------------------------|
| 1. Empuñadura trasera | 10. Botón de liberación del eje |
| 2. Indicador de Bluetooth® | 11. Acoplador |
| 3. Indicador de velocidad | 12. Barra de barrera de seguridad |
| 4. Indicador de estado de la batería | 13. Bucle para la bandolera |
| 5. Botón de modo de velocidad | 14. Palanca de fijación en apagado |
| 6. Anillo umbral | 15. Gatillo de velocidad variable |
| 7. Empuñadura delantera | 16. Botón de liberación de la batería |
| 8. Eje del cabezal motriz | 17. Pestillo |
| 9. Perilla de mariposa | |

EMPUÑADURA DELANTERA

Para ayudar a prevenir la pérdida de control. Se puede ajustar y reposicionar rápidamente.

EMPUÑADURA TRASERA

La empuñadura ergonómica con sobremoldura mejora la comodidad y el agarre.

PALANCA DE FIJACIÓN EN APAGADO

Ayuda a prevenir la activación accidental o no autorizada del gatillo. Se debe mover hacia delante antes de que se pueda activar el gatillo.

GATILLO DE VELOCIDAD VARIABLE

Para encender y apagar la máquina y controlar la velocidad.

BOTÓN DE MODO DE VELOCIDAD

Cambia entre el modo de velocidad alta, intermedia y baja para diferentes tareas que se estén realizando.

BARRA DE BARRERA DE SEGURIDAD

Dispositivo instalado en la desbrozadora, diseñado para mantener una distancia mínima entre el operador y el accesorio de corte cuando se esté utilizando la máquina.

ACOPLADOR

Ayuda a hacer una conexión rápida del eje del aditamento.

BOTÓN DE LIBERACIÓN DEL EJE

Para liberar el eje del aditamento.

PERILLA DE MARIPOSA

Aprieta la conexión del acoplador y del eje del aditamento.

BOTÓN DE LIBERACIÓN DE LA BATERÍA

Libera el paquete de batería de la máquina.

PESTILLO

Fija el paquete de batería a la máquina.

INDICADOR DE ESTADO DE LA BATERÍA

Indica el nivel de carga y el estado de funcionamiento del paquete de batería.

INDICADOR DE BLUETOOTH®

Para establecer la conexión de Bluetooth® e indicar el estado de la conexión.

La marca denominativa y los logotipos Bluetooth® son marcas registradas pertenecientes a Bluetooth SIG, Inc., y cualquier uso de dichas marcas por EGO es bajo licencia.

ENSAMBLAJE

⚠ ADVERTENCIA: Si alguna de las piezas está dañada o falta, no utilice este producto hasta que las piezas hayan sido reemplazadas. El uso de este producto con piezas dañadas o si le faltan piezas podría tener como resultado lesiones corporales graves.

⚠ ADVERTENCIA: No intente modificar este producto ni crear accesorios no recomendados para utilizarse con este cabezal motriz. Cualquiera de dichas alteraciones o modificaciones constituye un uso incorrecto y podría provocar una situación peligrosa que cause lesiones corporales posiblemente graves.

⚠ ADVERTENCIA: Retire siempre el paquete de batería del producto cuando esté ensamblando piezas, haciendo ajustes o realizando limpieza, o cuando el producto no se esté utilizando.

DESEMPAQUE

- Este producto requiere ensamblaje.
- Saque cuidadosamente el producto y todos los accesorios de la caja. Asegúrese de que todos los artículos indicados en la “**LISTA DE EMPAQUETAMIENTO**” estén incluidos.

⚠ ADVERTENCIA: No utilice este producto si cualquiera de las piezas de la “**LISTA DE EMPAQUETAMIENTO**” ya está ensamblada en el producto cuando lo desempaque. Las piezas incluidas en esta lista no son ensambladas en el producto por el fabricante y requieren instalación por el cliente. La utilización de un producto que pueda haber sido ensamblado incorrectamente podría causar lesiones corporales graves.

- Inspeccione minuciosamente el producto para asegurarse de que no se hayan producido roturas o daños durante el envío.
- No deseche el material de empaquetamiento hasta que haya inspeccionado minuciosamente y utilizado satisfactoriamente el producto.
- Si alguna de las piezas está dañada o falta, sírvase devolver el producto al lugar de compra.

INSTALACIÓN DE UN ADITAMENTO DEL CABEZAL MOTRIZ

⚠ ADVERTENCIA: Lea y entienda todo el manual del operador para cada aditamento opcional utilizado con este cabezal motriz y siga todas las advertencias e instrucciones. Si no se siguen todas las instrucciones, el resultado podría ser descargas eléctricas, incendio y/o lesiones corporales graves.

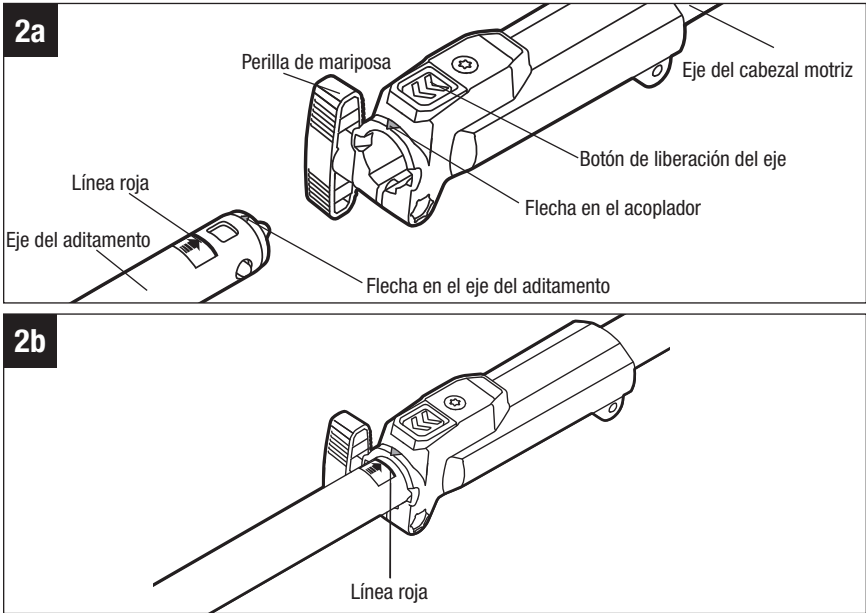
⚠ ADVERTENCIA: Este cabezal motriz de 56 V está diseñado para utilizarse solo con los modelos de aditamento EGO que se especifican en este manual del operador o que sean introducidos posteriormente por EGO para utilizarse con este cabezal motriz. La utilización de otros aditamentos no autorizados podría causar lesiones corporales graves o daños materiales.

⚠ ADVERTENCIA: Algunos accesorios tienen requisitos específicos relacionados con la seguridad. Preste siempre atención especial a dichas instrucciones en el manual que acompaña a cada accesorio.

⚠ ADVERTENCIA: No instale, retire ni ajuste nunca un aditamento mientras el cabezal motriz esté en funcionamiento o con la batería instalada. Si no se detiene el motor y no se retira la batería, el resultado puede ser lesiones corporales graves. **NO UTILICE NUNCA EL CABEZAL MOTRIZ SIN UN ADITAMENTO.**

El aditamento se conecta al cabezal motriz utilizando el acoplador.

1. Pare el motor y retire el paquete de batería.
2. Afloje la perilla de mariposa.
3. Retire la tapa de extremo del eje del aditamento y manténgala en un lugar seguro para uso futuro. Alinee la flecha ubicada en el eje del aditamento con la flecha ubicada en el acoplador (Fig. 2a) y empuje el eje del aditamento hacia el interior del acoplador hasta que oiga un sonido de “clic” nítido. El acoplador se deberá posicionar de manera que llegue completamente hasta la LÍNEA ROJA etiquetada en el eje para que el eje del aditamento esté montado adecuadamente en la posición correcta (Fig. 2b).



4. Jale el eje del aditamento para verificar que esté firmemente bloqueado en el interior del acoplador. Si no lo está, rote el eje del aditamento de un lado a otro en el acoplador hasta que se acople a presión en la posición correcta.
5. Apriete firmemente la perilla de mariposa.

⚠ ADVERTENCIA: Asegúrese de que la perilla de mariposa esté completamente apretada antes de utilizar el equipo; compruebe periódicamente su apriete durante el uso para evitar lesiones corporales graves.

DESINSTALACIÓN DEL ADITAMENTO DEL CABEZAL MOTRIZ

1. Pare el motor y retire el paquete de batería.
2. Afloje la perilla de mariposa.
3. Presione el botón de liberación del eje y, con el botón presionado, jale o gire el eje del aditamento hacia fuera hasta sacarlo del acoplador.

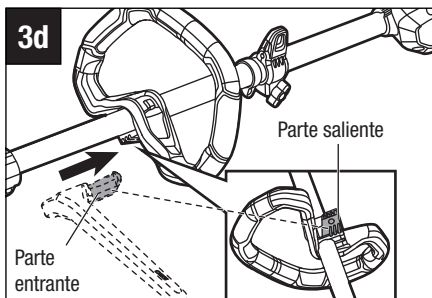
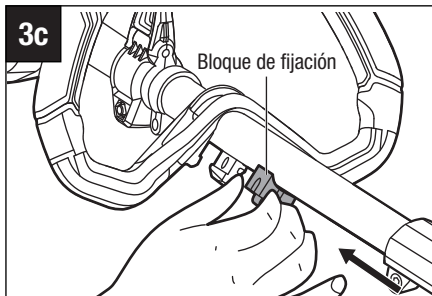
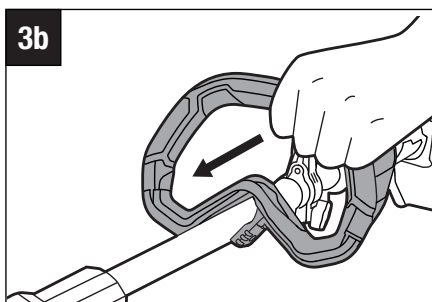
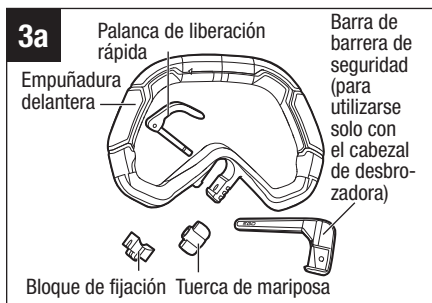
MONTAJE Y AJUSTE DE LA EMPUÑADURA DELANTERA

⚠ ADVERTENCIA: Retire siempre el paquete de batería del producto cuando esté ensamblando piezas, haciendo ajustes o realizando limpieza, o cuando el producto no se esté utilizando.

1. Pare el motor y retire el paquete de batería, si está instalado.
2. Afloje la tuerca de mariposa y retire la palanca de liberación rápida, el bloque de fijación y la tuerca de mariposa de la empuñadura delantera (Fig. 3a).

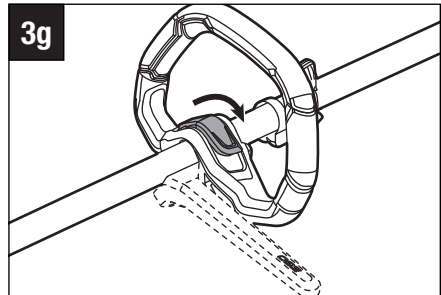
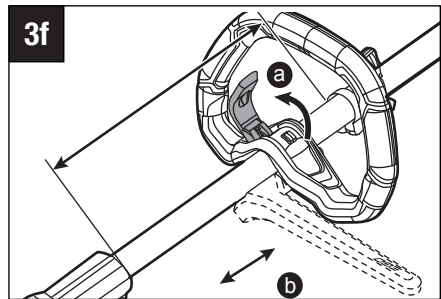
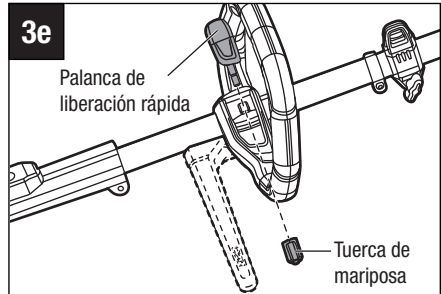
⚠ ADVERTENCIA: Cuando la máquina se utilice con el cabezal de desbrozadora, la barra de barrera de seguridad también deberá estar instalada.

3. Empuje la empuñadura delantera sobre el eje entre el anillo umbral y la acoplador, y asegúrese de que la empuñadura delantera esté orientada hacia arriba y que apunte hacia la parte superior de la empuñadura trasera (Fig. 3b).
4. Inserte el bloque de fijación en la ranura de la empuñadura (Fig. 3c).



5. Alinee la parte entrante de la barra de barrera con la parte saliente de la empuñadura delantera y presione la barra de barrera sobre la empuñadura delantera (Fig. 3d).
6. Monte la palanca de liberación rápida y apriete la tuerca de mariposa (Fig. 3e).
7. Jale hacia arriba la palanca de liberación rápida para mover/rotar la empuñadura delantera hasta una posición de utilización cómoda (Fig. 3f).
8. Pliegue la palanca de liberación rápida para fijar la empuñadura delantera en la posición correcta (Fig. 3g).

⚠ ADVERTENCIA: No utilice nunca la máquina sin tener la empuñadura delantera firmemente instalada.



MONTAJE DE LA BANDOLERA

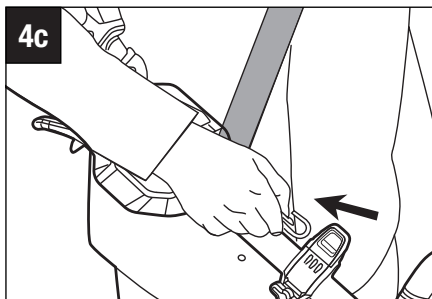
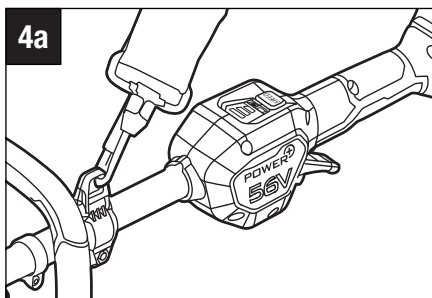
Presione el mosquetón de la bandolera para abrirlo y fíjelo en el bucle para la bandolera (Fig. 4a).

Hay dos maneras de liberar la bandolera. Retírela directamente del hombro (Fig. 4b) o presione el mosquetón y desconecte la bandolera del bucle para la bandolera (Fig. 4c).

Cuando tenga puesta la bandolera, ningún otro elemento ponible deberá interferir con la liberación y la remoción de la bandolera.

⚠ ADVERTENCIA: Cuando se produzca una emergencia, quítese inmediatamente la bandolera del hombro, sin importar de qué manera esté colocada.

No utilice nunca simultáneamente la bandolera sencilla y la bandolera doble.



UTILIZACIÓN

⚠ ADVERTENCIA: No deje que la familiaridad con este producto le haga descuidarse. Recuerde que una fracción de segundo de descuido es suficiente para causar lesiones graves.

⚠ ADVERTENCIA: Use siempre anteojos de seguridad o gafas de seguridad con escudos laterales que esté marcada para cumplir con la norma ANSI Z87.1. Si no se hace así, el resultado podría ser que se lancen objetos hacia los ojos del operador y otras posibles lesiones graves.

⚠ ADVERTENCIA: No utilice ningún aditamento o accesorio no recomendado por el fabricante de este producto. La utilización de aditamentos o accesorios no recomendados puede causar lesiones corporales graves.

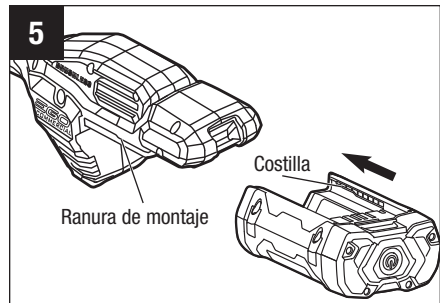
INSTALACIÓN/DESINSTALACIÓN DEL PAQUETE DE BATERÍA

⚠ ADVERTENCIA: Retire siempre el paquete de batería del producto cuando esté ensamblando piezas, haciendo ajustes o realizando limpieza, o cuando el producto no se esté utilizando. La desinstalación del paquete de batería prevendrá los arranques accidentales que podrían causar lesiones corporales graves.

NOTA: Cargue completamente el paquete de batería antes del primer uso.

Para instalar el paquete de batería (Fig. 5)

1. Alinee las costillas del paquete de batería con las ranuras de montaje ubicadas en el puerto de la batería del cabezal motriz.
2. Empuje el paquete de batería hacia el interior del puerto de la batería hasta que se acople a presión en la posición correcta



NOTA: Asegúrese de que el pestillo ubicado en la parte inferior del paquete de batería se acople a presión en la posición correcta y que el paquete de batería esté fijo en el cabezal motriz antes de comenzar la utilización. Si el paquete de batería no se asienta firmemente, el resultado podría ser que el paquete de batería se caiga y cause lesiones corporales graves.

Para desinstalar el paquete de batería (Fig. 6)

⚠ ADVERTENCIA: Esté siempre atento a la ubicación de sus pies, los niños o los animales domésticos cuando presione la palanca de liberación de la batería. Se podrían producir lesiones graves si el paquete de batería se cae. No retire NUNCA el paquete de batería en un lugar elevado.

1. Sostenga el paquete de batería en la palma de la mano.
2. Presione el botón de liberación de la batería con el dedo pulgar; el paquete de batería se desacoplará del pestillo.
3. Agarre el paquete de batería y retírelo del cabezal motriz.

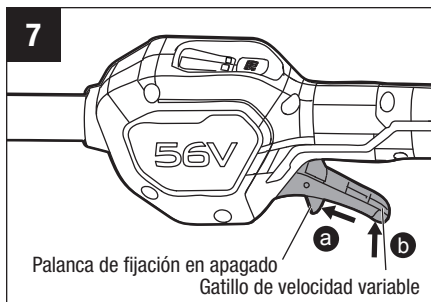
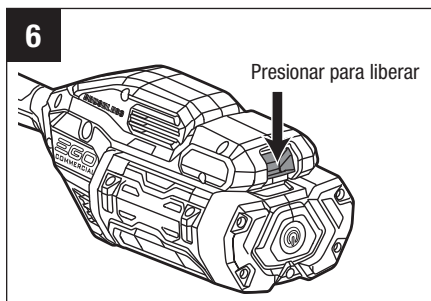
⚠ ADVERTENCIA: Para evitar lesiones corporales graves, retire siempre el paquete de batería y mantenga las manos alejadas de la palanca de fijación en apagado y del gatillo de velocidad variable cuando lleve o transporte la máquina.

ARRANQUE/PARADA DEL CABEZAL MOTRIZ

⚠ ADVERTENCIA: NO UTILICE NUNCA EL CABEZAL MOTRIZ SIN UN ADITAMENTO. No intente arrancar el cabezal motriz sin un aditamento.

Para arrancar el cabezal motriz (Fig. 7)

1. Mueva hacia delante la palanca de fijación en apagado y luego presione el gatillo de velocidad variable. El cabezal motriz arrancará.
2. La velocidad rotacional de la máquina se controla con el gatillo de velocidad variable. Más presión en el gatillo produce una velocidad más alta; menos presión en el gatillo produce una velocidad más baja. Ajuste la velocidad para que se adecue a la tarea que se esté realizando.



NOTA: El motor arranca solo al mover hacia delante la palanca de fijación en apagado y presionar al mismo tiempo el gatillo de velocidad variable.

Para detener el cabezal motriz

Mueva el aditamento alejándolo del área de corte y suelte el gatillo de velocidad variable para detener el cabezal motriz.

⚠ ADVERTENCIA: Retire siempre el paquete de batería del cabezal motriz antes de las pausas de descanso del trabajo y después de acabar el trabajo.

Cambio del modo de velocidad (Fig. 8)

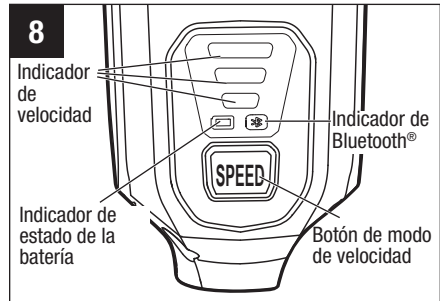
Esta máquina cuenta con tres modos de velocidad.

El modo de velocidad cambiará con cada pulsación del botón de modo de velocidad.

El indicador de velocidad mostrará el modo de velocidad activo: una luz para velocidad baja, dos luces para velocidad intermedia y tres luces para velocidad alta. El modo de velocidad baja proporciona un mejor control de la máquina y un tiempo de funcionamiento más prolongado por carga.







NOTA: El modo de velocidad se puede ajustar antes de encender la máquina o durante su utilización.

Cuando la máquina se arranque después de una pausa, el modo de velocidad regresará a la velocidad previa.



INDICADOR DE ESTADO DE LA BATERÍA E INDICADOR DE VELOCIDAD

El indicador de estado de la batería muestra el nivel de carga y el estado de funcionamiento del paquete de batería, y el indicador de velocidad muestra el estado de funcionamiento de la máquina, tal y como se muestra en el cuadro que aparece a continuación. El indicador de estado de la batería y el indicador de velocidad se iluminarán al arrancar la máquina o al presionar el botón de modo de velocidad.

Luces indicadoras		Significado
Indicador de estado de la batería	Verde continuo	 Nivel de carga de la batería del 20% al 100%
	Verde parpadeante	 Nivel de carga de la batería del 10% al 20%
	Rojo continuo	 Nivel de carga de la batería de menos del 10%
	Rojo parpadeante	 La carga del paquete de batería está casi agotada y es necesario cargar inmediatamente dicho paquete.
	Naranja continuo	 El paquete de batería está sobrecalentado. Enfríe el paquete de batería hasta que la temperatura descienda por debajo de 152 °F (67 °C). Consulte " Protección contra altas temperaturas de la batería " más adelante.
	Rojo/verde parpadeante alternadamente	 Error del sistema electrónico del paquete de batería. Reemplace el paquete de batería o contacte a un centro de servicio al cliente de EGO. Consulte " Protección contra errores del sistema electrónico de la batería " más adelante.

Indicador de velocidad (la ilustración muestra la velocidad alta)	Verde continuo		La máquina está funcionando correctamente.
	Naranja continuo		La máquina está sobrecalentada. Enfríe la máquina hasta que la temperatura descienda por debajo de 176 °F (80 °C). Consulte " Protección contra altas temperaturas de la máquina " más adelante.
	Naranja parpadeante		La máquina está sobrecargada. Consulte " Protección contra sobrecargas de la máquina " más adelante.

Protección contra altas temperaturas de la batería

Si la temperatura de la batería excede 158 °F (70 °C) durante la utilización de la máquina, el circuito de protección contra altas temperaturas apagará inmediatamente la máquina para proteger el paquete de batería contra daños por sobrecalentamiento. El indicador de estado de la batería se iluminará en naranja continuo. Suelte el gatillo y espere hasta que la batería sobrecalentada se enfríe y el indicador se ponga verde, y luego reorganice la máquina.

Protección contra errores del sistema electrónico de la batería

Cuando se produzca un error del sistema electrónico del paquete de batería, el indicador de estado de la batería parpadeará en rojo/verde alternadamente y la máquina se apagará en 3 segundos. Reemplace el paquete de batería o contacte a un centro de servicio al cliente de EGO.

Protección contra sobrecargas de la máquina

Esta máquina cuenta con protección de circuitos contra sobrecargas incorporada. Cuando la máquina esté sobrecargada, el motor se detendrá y el indicador de velocidad parpadeará en naranja. Retire el paquete de batería de la máquina y luego reinstálelo y reorganice la máquina. Reduzca la carga de trabajo de la máquina, evite una línea de corte demasiado larga o de tamaño demasiado grande, o cortar en arbustos pesados/leñosos.

Protección contra altas temperaturas de la máquina

Si la temperatura de la máquina excede 194 °F (90 °C) durante su utilización, el circuito de protección contra altas temperaturas apagará inmediatamente la máquina para prevenir daños por sobrecalentamiento. El indicador de velocidad se iluminará en naranja continuo. Suelte el gatillo, espere hasta que la máquina sobrecalentada se enfríe y el indicador de velocidad se ponga verde, y luego re arranque la máquina.

TECNOLOGÍA INALÁMBRICA BLUETOOTH®

Los productos con tecnología inalámbrica Bluetooth® incorporada se pueden conectar a dispositivos móviles utilizando las apps EGO. Sírvase visitar www.egopowerplus.com/commercial para obtener instrucciones y siga las explicaciones incluidas en la app EGO Connect sobre cómo conectar y utilizar la función Bluetooth®.

MANTENIMIENTO

⚠ WARNING: Antes de inspeccionar la unidad, limpiarla o hacerle servicio de ajustes y reparaciones, pare el motor, espere a que todas las piezas móviles se detengan y retire el paquete de batería. Si no se siguen estas instrucciones, el resultado puede ser lesiones corporales graves o daños materiales.

⚠ WARNING: Cuando haga servicio de ajustes y reparaciones, utilice únicamente piezas de repuesto idénticas. El uso de cualquier otra pieza puede crear un peligro o causar daños al producto.

MANTENIMIENTO GENERAL

AVISO: Antes de cada uso, inspeccione todo el producto para determinar si hay piezas dañadas, si faltan piezas o si hay piezas flojas, tales como tornillos, tuercas, pernos, tapas, etc. Apriete firmemente todos los sujetadores y todas las tapas, y no utilice este producto hasta que todas las piezas que falten o estén dañadas hayan sido reemplazadas. Sírvase contactar a servicio al cliente o a un centro de servicio calificado para obtener asistencia.

LIMPIEZA DEL CABEZAL MOTRIZ

Evite utilizar solventes cuando limpie piezas de plástico. La mayoría de los plásticos son susceptibles de sufrir daños causados por diversos tipos de solventes comerciales y es posible que resulten dañados por el uso de dichos solventes. Use un paño limpio para eliminar la suciedad, el polvo, el aceite, la grasa, etc.

⚠ WARNING: No deje en ningún momento que líquidos de freno, gasolina, productos a base de petróleo, aceites penetrantes, etc., entren en contacto con las piezas de plástico. Las sustancias químicas pueden dañar, debilitar o destruir el plástico, lo cual es posible que cause lesiones corporales graves.

AVISO: No utilice detergentes fuertes en la carcasa de plástico ni en la empuñadura. Las piezas de plástico pueden resultar dañadas por ciertos aceites aromáticos, tales como los de pino y limón, y por solventes tales como el queroseno.

1. Pare el motor y retire el paquete de batería.
2. Elimine la suciedad y los residuos del cabezal motriz utilizando un paño húmedo con un detergente suave.

ALMACENAMIENTO DEL CABEZAL MOTRIZ

1. Retire el paquete de batería del cabezal motriz antes de almacenarlo.
2. Elimine todo material extraño del cabezal motriz.
3. Almacénelo en un lugar que sea inaccesible para los niños.
4. Mantenga el producto alejado de los agentes corrosivos, tales como sustancias químicas de jardín y sales anticongelantes.

RESOLUCIÓN DE PROBLEMAS

Consulte el manual del operador del aditamento que corresponda.



GARANTÍA LIMITADA DE EGO

TÉRMINOS Y DURACIÓN DE LA PÓLIZA DE GARANTÍA

Chervon North America, Inc. ("Chervon North America"), proporciona la siguiente Garantía Limitada para los productos EGO al comprador original de productos EGO.

El período de garantía detallado de cada producto EGO se puede encontrar en línea en <http://egopowerplus.com/warranty-policy>.

Sírvase contactar a Servicio al Cliente de EGO llamando gratis al 1-855-EGO-5656 en cualquier momento en que tenga preguntas o reclamos de garantía, o si desea obtener una copia impresa de la garantía.

GARANTÍA LIMITADA DE SERVICIO

Los productos EGO están garantizados contra defectos de material o de fabricación a partir de la fecha de compra minorista original durante el período de garantía aplicable. Para cualquier reclamo de garantía presentado de manera adecuada y oportuna, si Chervon North America determina que un producto presenta algún defecto durante el período de garantía, dicho producto recibirá una reparación o un remplazo gratuitos, según lo determine Chervon North America.

CÓMO OBTENER SERVICIO

Para obtener servicio de garantía, dentro del período de garantía aplicable, sírvase contactar a servicio al cliente de EGO llamando gratis al **1-855-EGO-5656**. Cuando solicite servicio de garantía, deberá presentar el recibo de venta fechado original. Se seleccionará un centro de servicio autorizado para evaluar y reparar el producto si el mismo presenta algún defecto de acuerdo con los términos establecidos en la garantía. Cuando lleve su producto al centro de servicio autorizado, es posible que se requiera un pequeño depósito cuando deje allí su herramienta. Este depósito es reembolsable cuando se considere que el servicio de reparaciones esté cubierto bajo garantía. El comprador es responsable del transporte de cualquier equipo o aditamento de energía para exteriores a sus expensas.

LIMITACIONES Y EXCLUSIONES ADICIONALES

Esta garantía limitada se aplica solo al comprador original que realice la compra a un minorista EGO autorizado y no es transferible. Los productos EGO no serán considerados defectuosos, y esta garantía no se aplicará, en los casos en que el defecto por el que se presente el reclamo sea atribuible a cualquier causa que no sean los defectos definidos anteriormente en este documento. Esta garantía quedará anulada si el producto se ha utilizado para fines de alquiler. Esta garantía no se aplicará a daños causados por accidente, abuso, uso incorrecto, alteración, modificación, reparación no autorizada, contacto con líquidos, incendio, terremoto u otra causa externa; utilización del producto sin seguir las instrucciones, especificaciones o pautas de EGO; o no hacer servicio de ajustes y reparaciones o no mantener adecuadamente el producto. Esta garantía tampoco se aplica a los daños cosméticos, incluyendo, pero sin limitarse a ello, rasguñaduras o abolladuras; defectos causados por el desgaste por el uso normal o defectos que de alguna otra manera se deban al envejecimiento normal del producto.

ESTA GARANTÍA EXPRESA SE DA EN LUGAR DE TODAS LAS DEMÁS GARANTÍAS, EXPRESAS O IMPLÍCITAS, INCLUYENDO, PERO SIN LIMITARSE A ELLO, TODAS LAS GARANTÍAS DE COMERCIABILIDAD O IDONEIDAD PARA UN PROPÓSITO O USO ESPECÍFICO, LAS CUALES QUEDAN EXCLUIDAS. Todas las garantías implícitas, incluyendo las garantías de comerciabilidad o idoneidad para un propósito específico, que no se puedan excluir bajo la ley estatal, están limitadas al período de garantía aplicable definido al comienzo de este artículo. El remedio único y exclusivo en conexión con la compra, instalación, uso y/o rendimiento de los productos EGO es la reparación o el reemplazo del producto tal y como lo determine Chervon North America. La responsabilidad máxima de North America no excederá en ningún caso el precio de compra pagado por el producto. CHERVON NORTH AMERICA NO SERÁ RESPONSABLE ANTE EL USUARIO NI ANTE NADIE MÁS POR DAÑOS EMERGENTES, INCIDENTALES, ESPECIALES, EJEMPLARES, INDIRECTOS O PUNITIVOS QUE SURJAN DEL USO DE LOS PRODUCTOS, INCLUYENDO, PERO SIN LIMITARSE A ELLO, LESIONES CORPORALES, MUERTE, DAÑOS MATERIALES, GANANCIAS PERDIDAS U OTROS PERJUICIOS ECONÓMICOS. Esta garantía le confiere a usted derechos legales específicos y es posible que usted tenga también otros derechos que varían de un estado a otro. Algunos estados no permiten limitaciones en cuanto a la duración de una garantía implícita, la exclusión o limitación de los daños incidentales o emergentes, o las limitaciones al tiempo para emprender ciertas acciones legales, por lo que las limitaciones contenidas en el presente documento no se aplican a los consumidores individuales de esos estados.



Esta garantía está sujeta a la ley de Michigan y se interpretará de acuerdo con dicha ley, con independencia de los principios sobre conflictos de leyes. No se emprenderá ninguna acción legal contra Chervon North America a menos que se presente dentro del plazo de un (1) año después de que se tenga conocimiento de la base de dicha acción legal o de la cual se debiera haber tenido conocimiento con el ejercicio de una diligencia razonable. Se considerará que se ha renunciado a cualquier acción legal que no se presente oportunamente.

Para obtener servicio al cliente, contáctenos llamando gratis al **1-855-EGO-5656** o en **EGOPOWERPLUS.COM**.

EGO Customer Service,
769 Seward Ave. NW, Suite 102,
Grand Rapids, Michigan 49504.

06/24

100

CABEZAL MOTRIZ COMERCIAL DE ION LITIO DE 56 V — PHX1600/PHX1600-FC