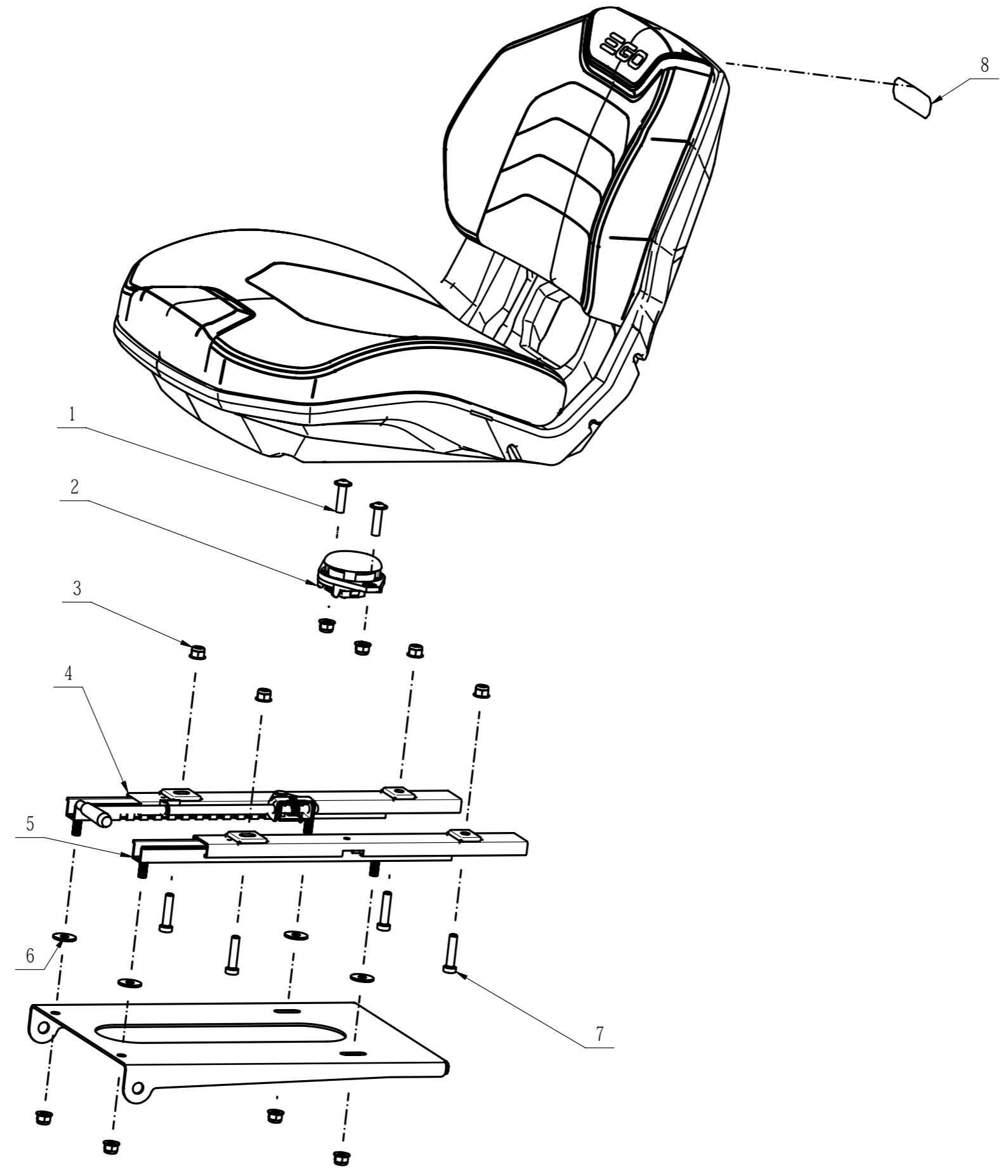


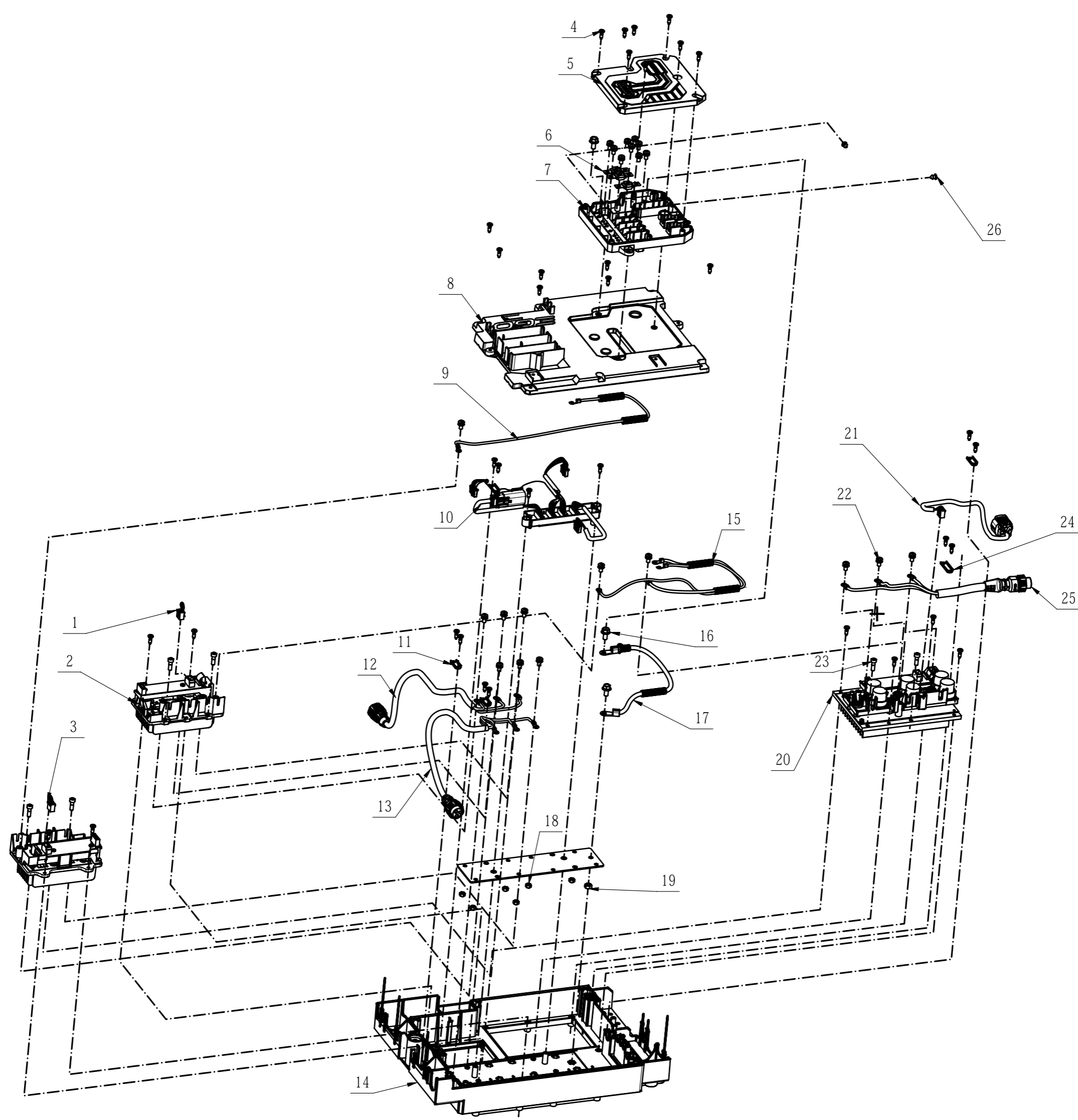


Product Description:Tractor
Model Number:TR4200
Service Item Number:2829546002S01
Version:A
Issue Date: 2023/09/08



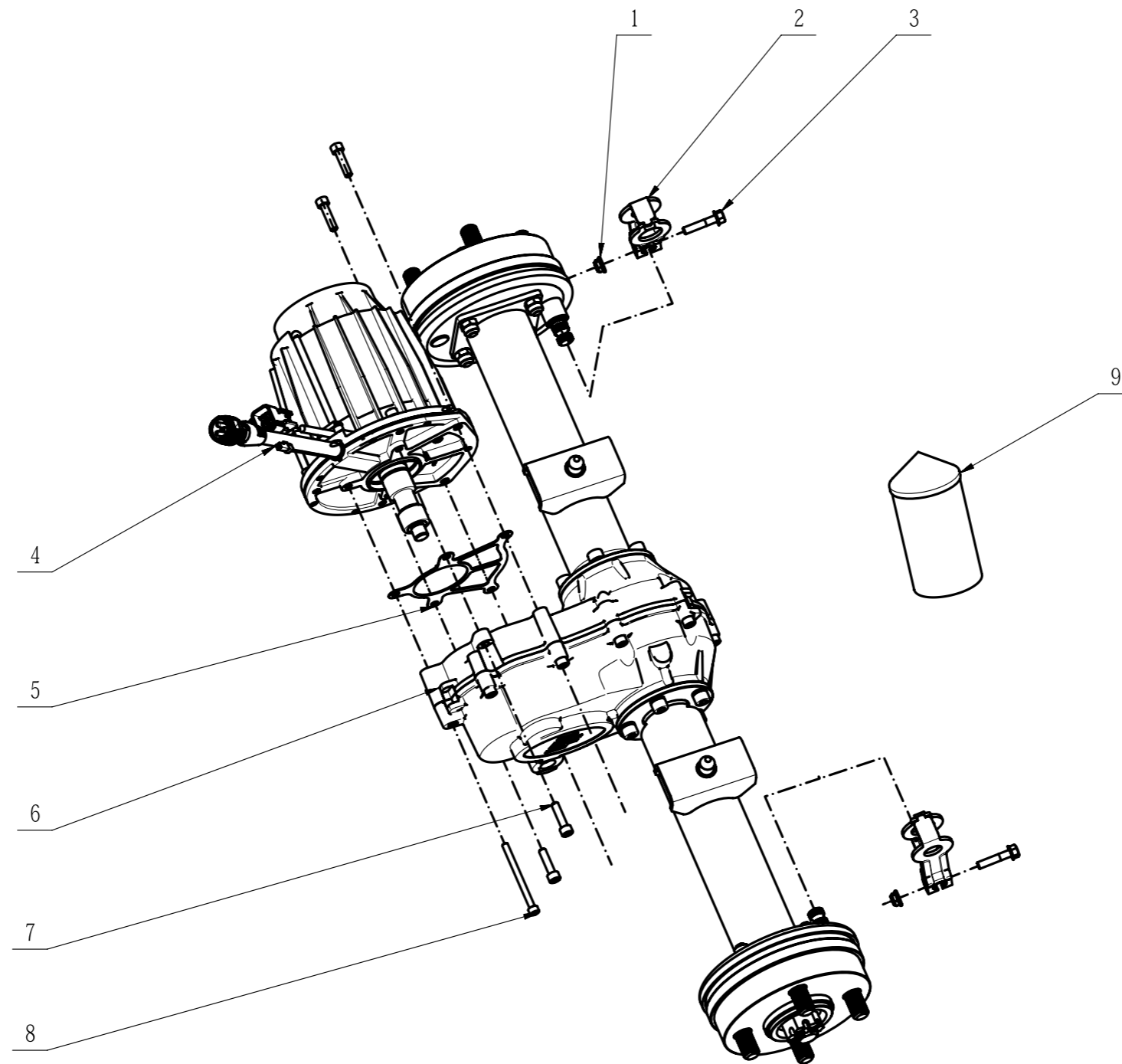
201 Seat Assembly

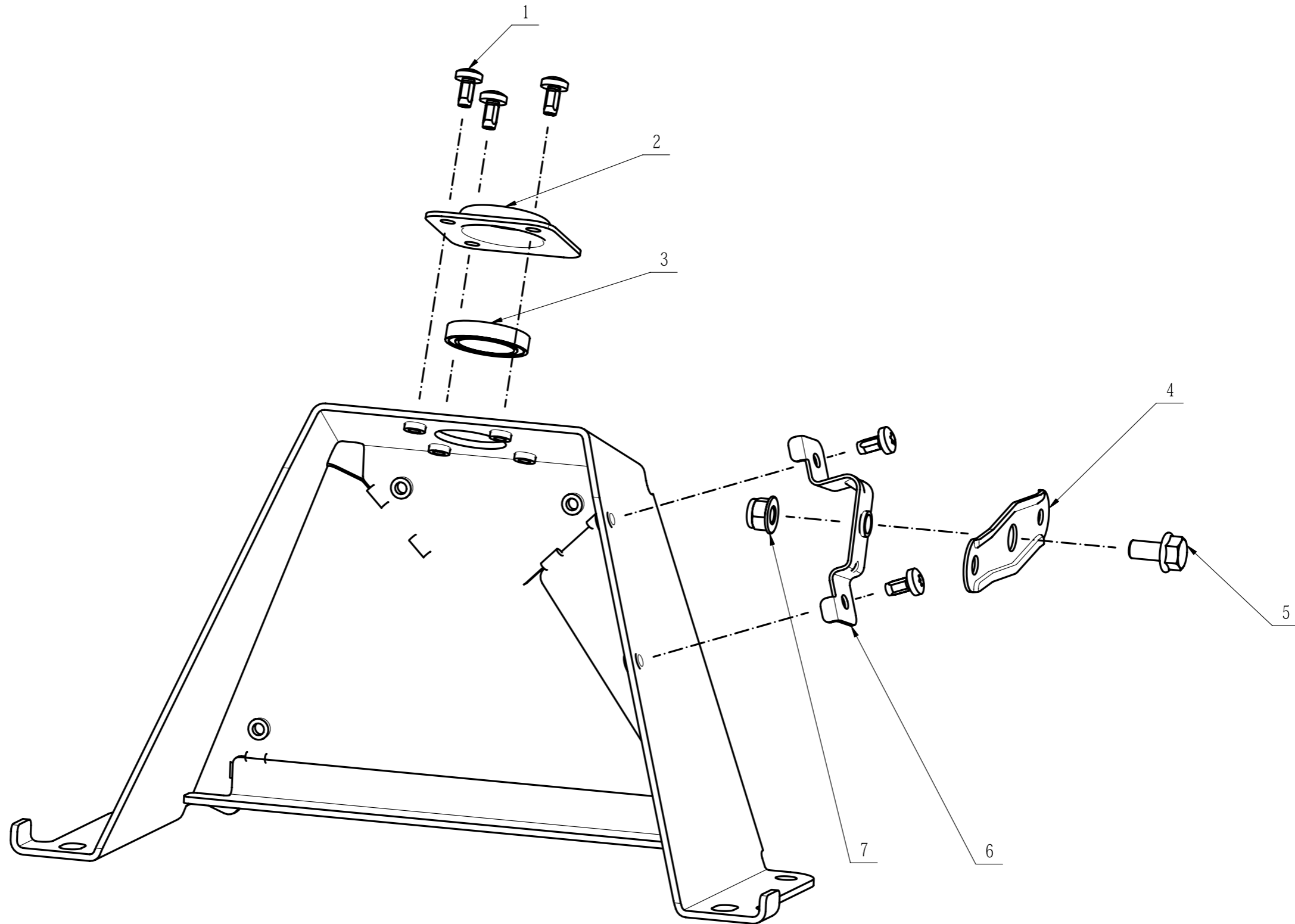
202 Control Electric Assembly

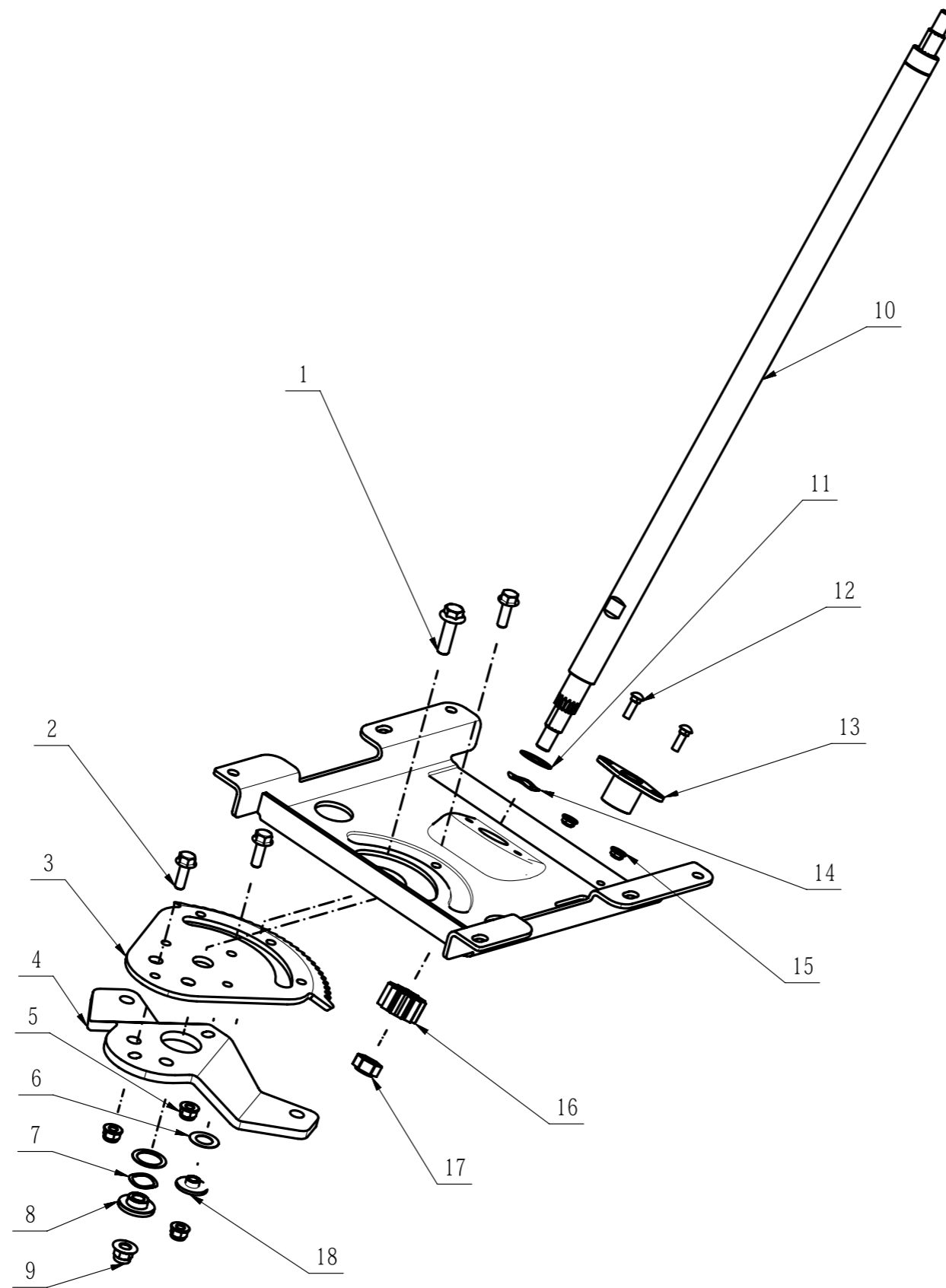


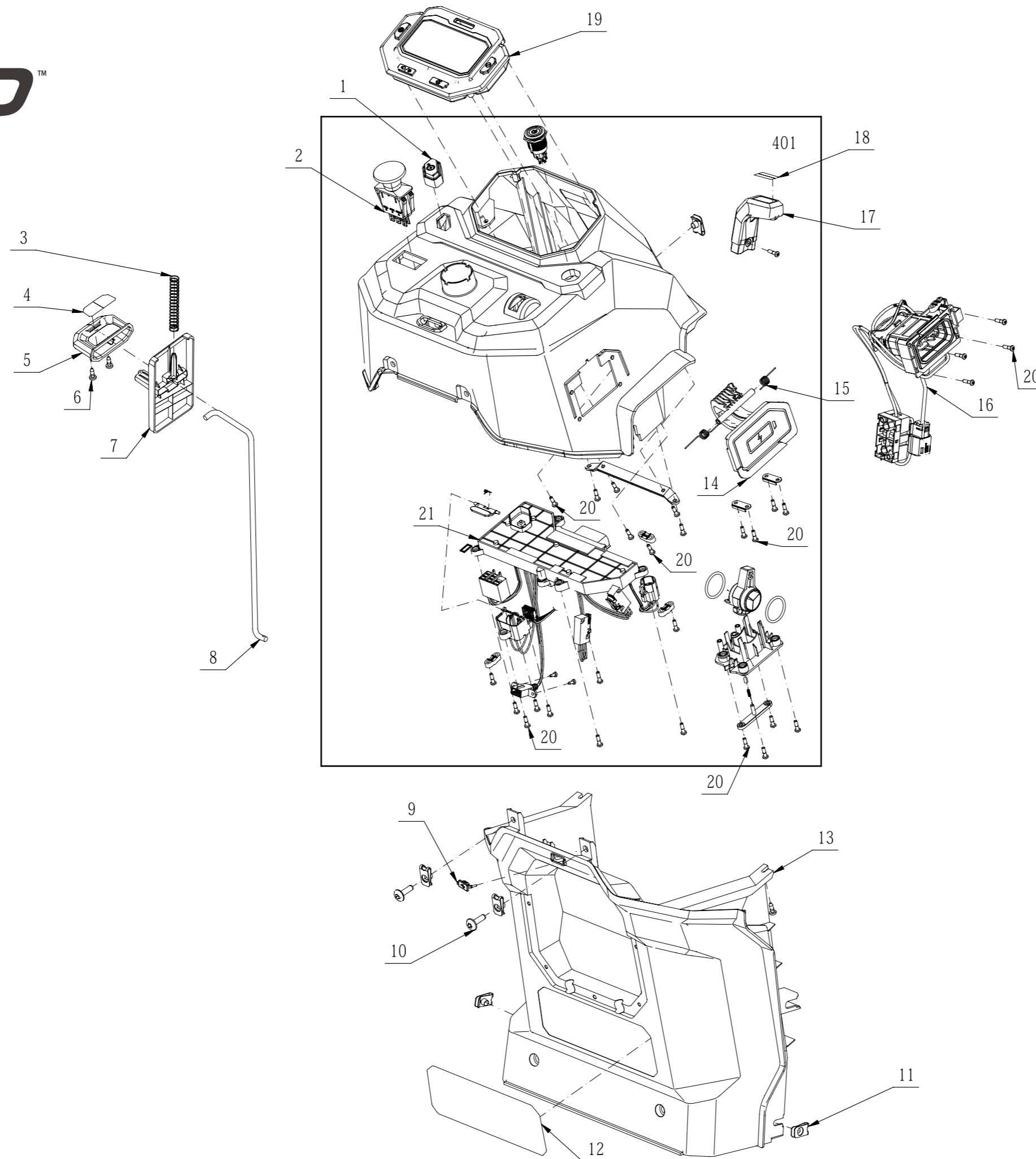


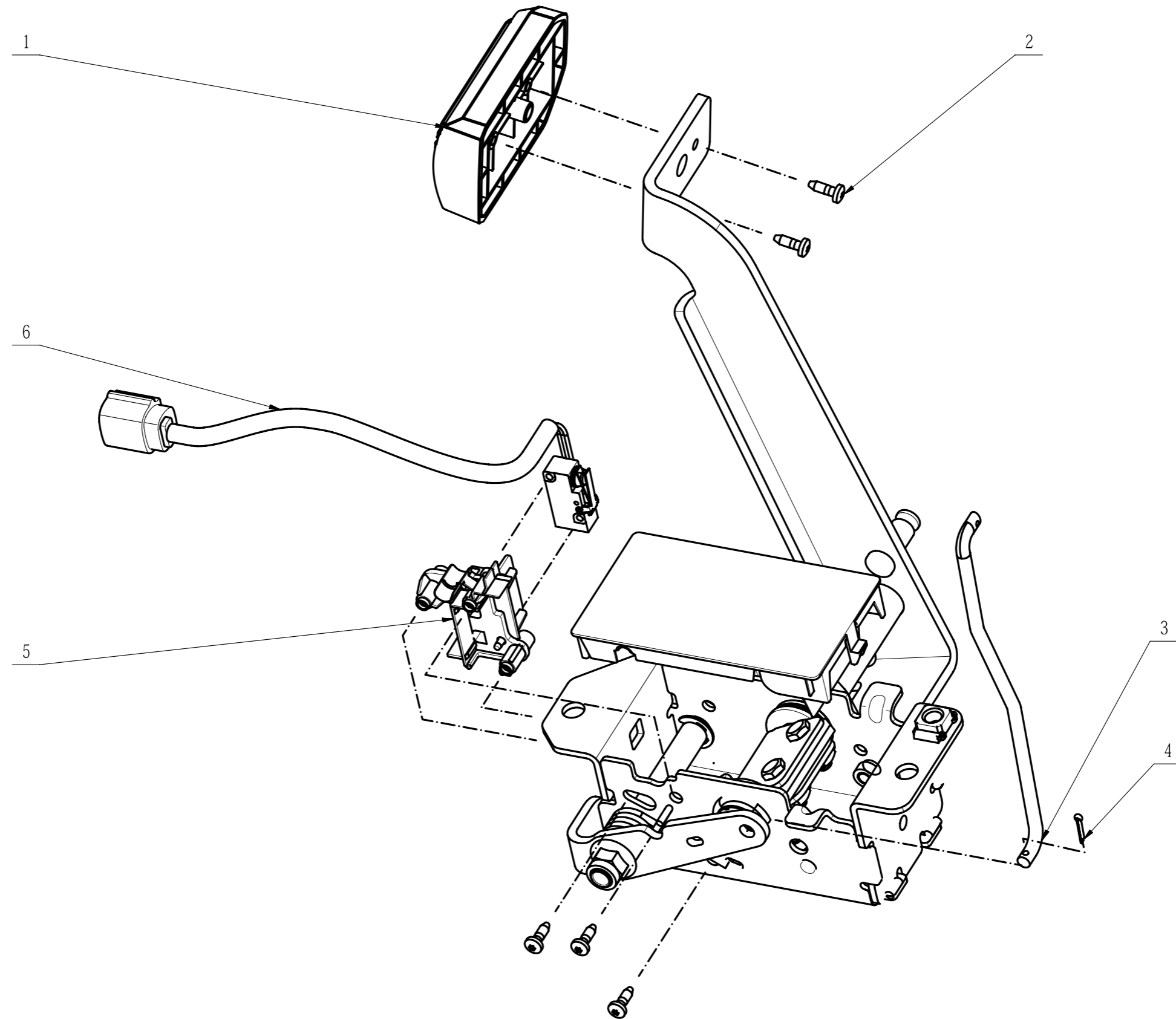
203 Drive Axle Assembly

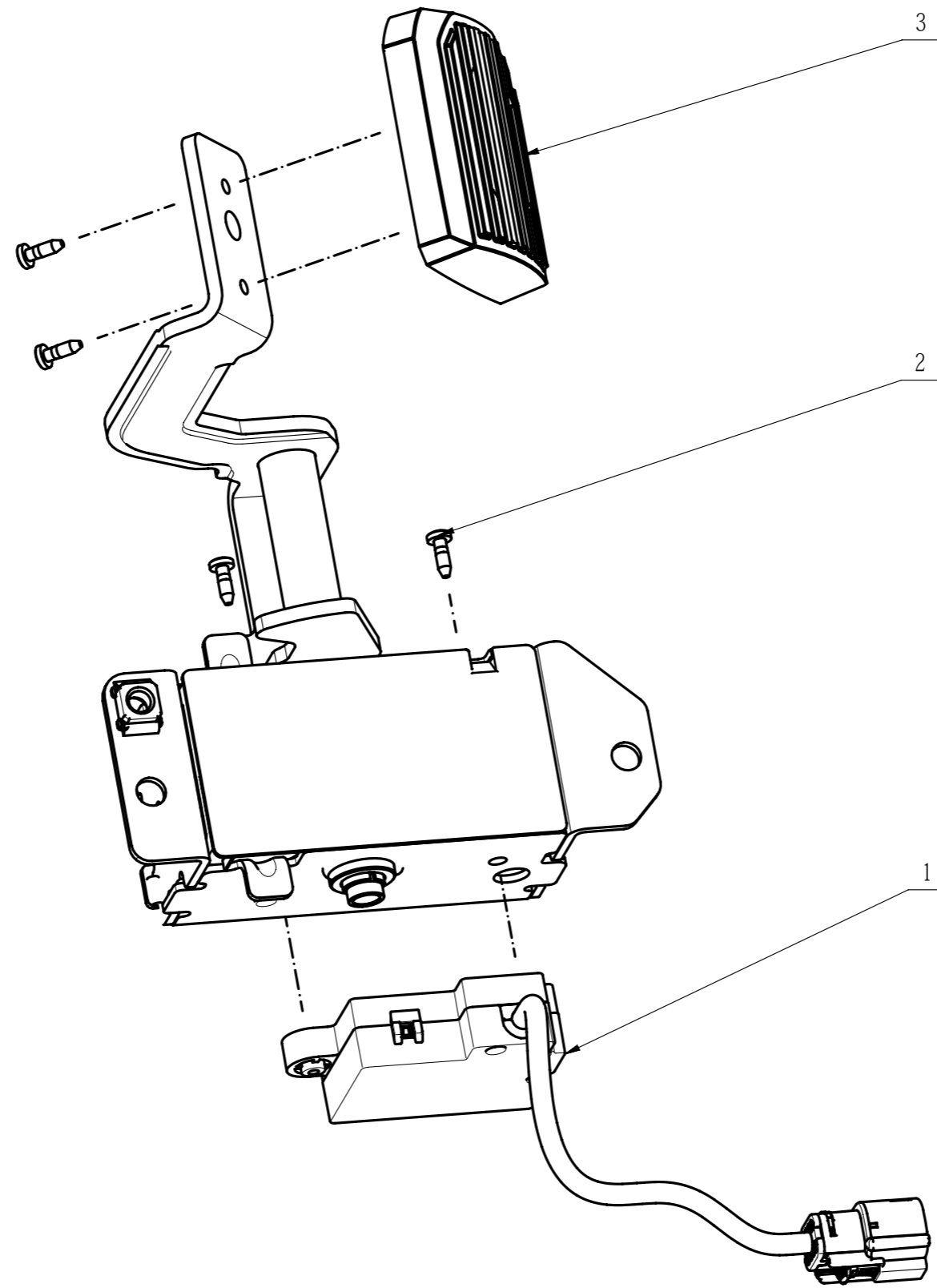


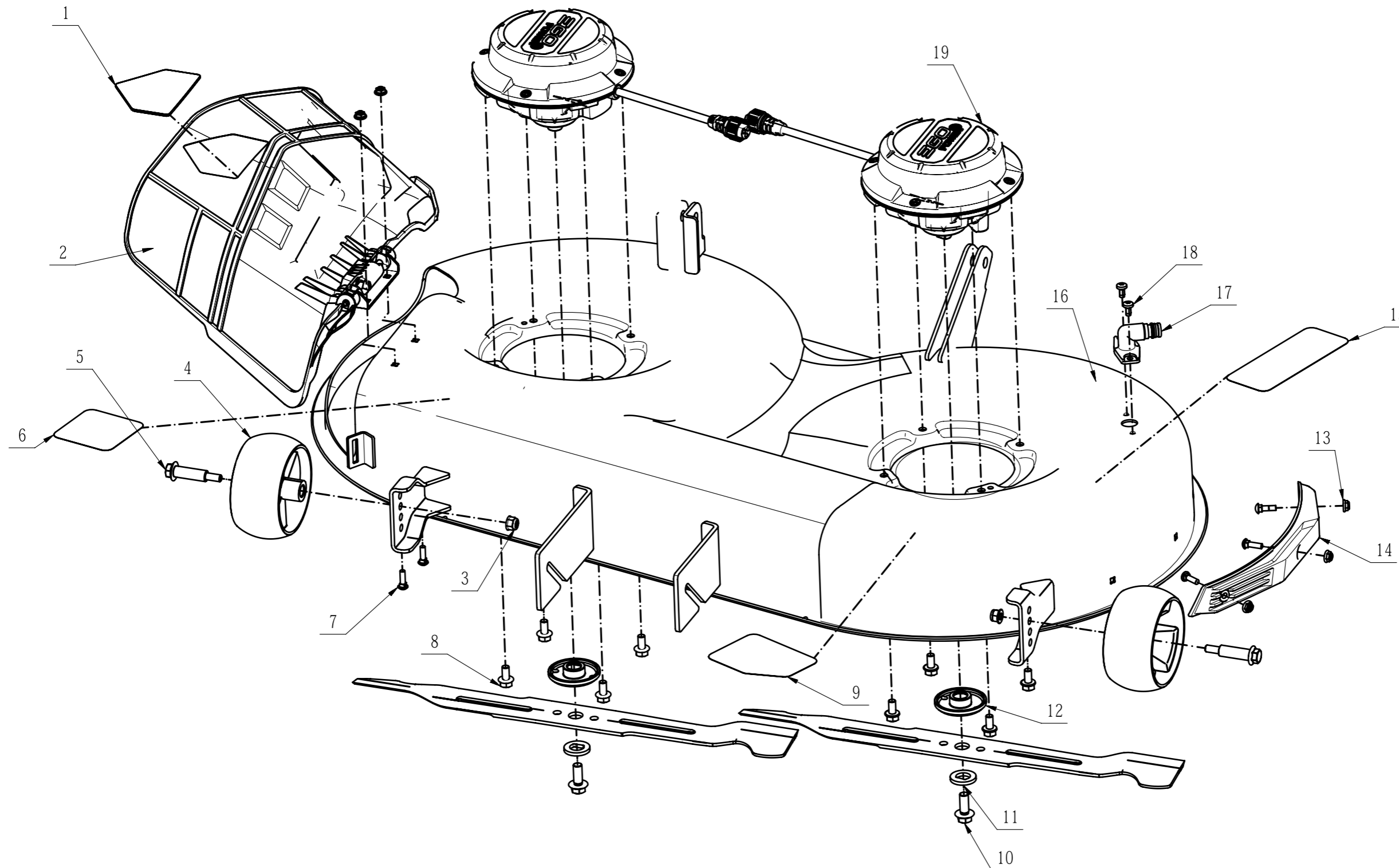




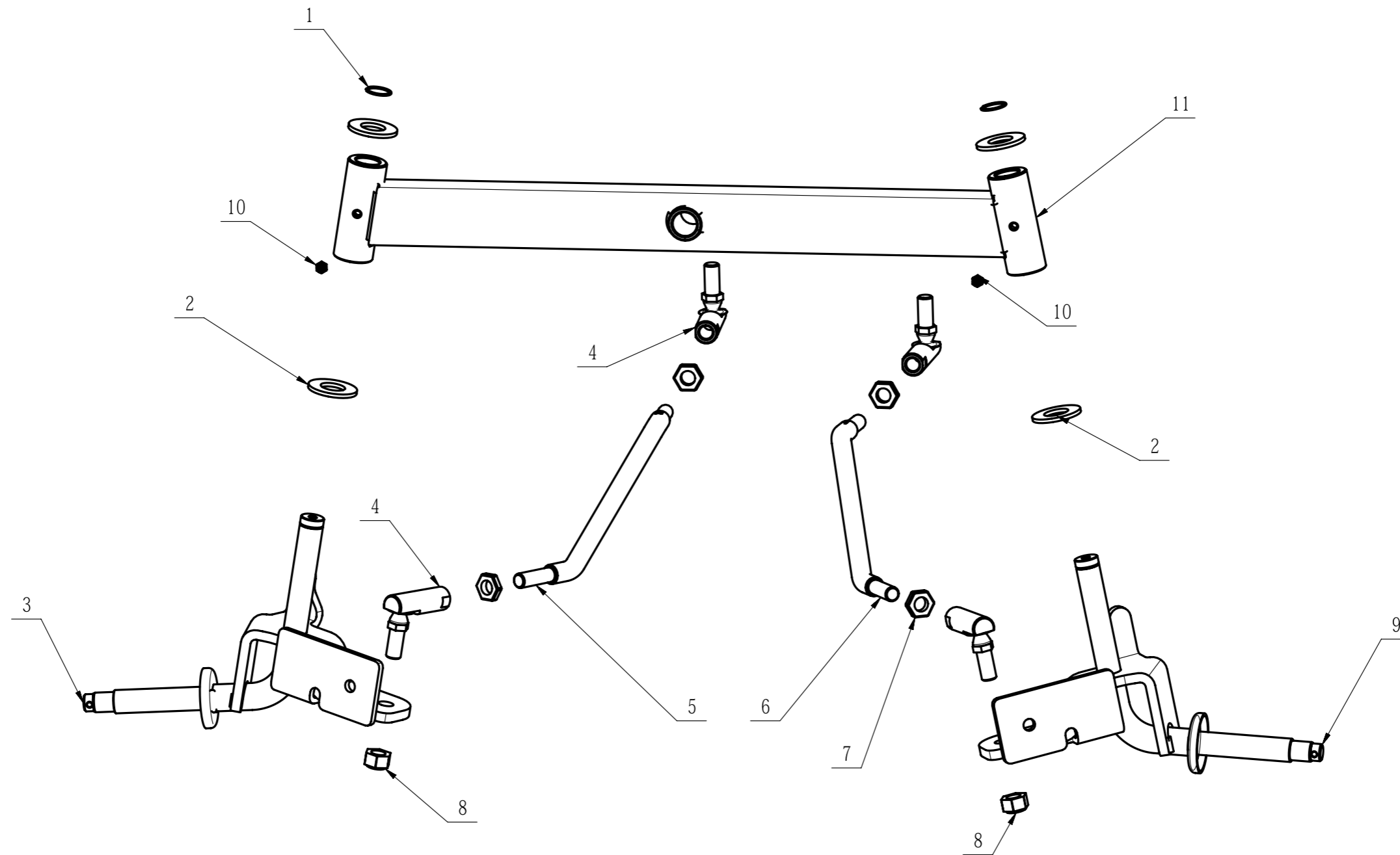


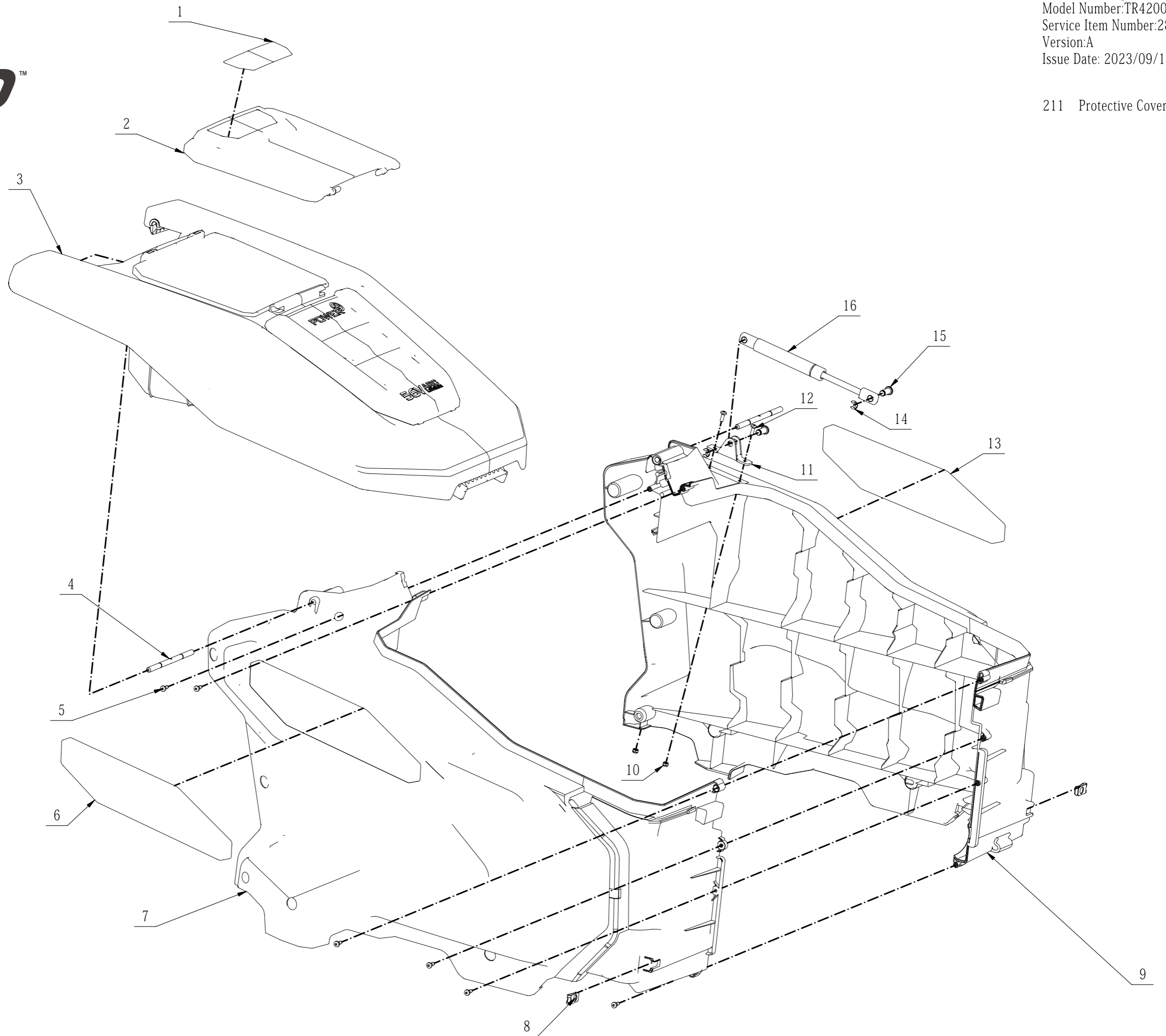


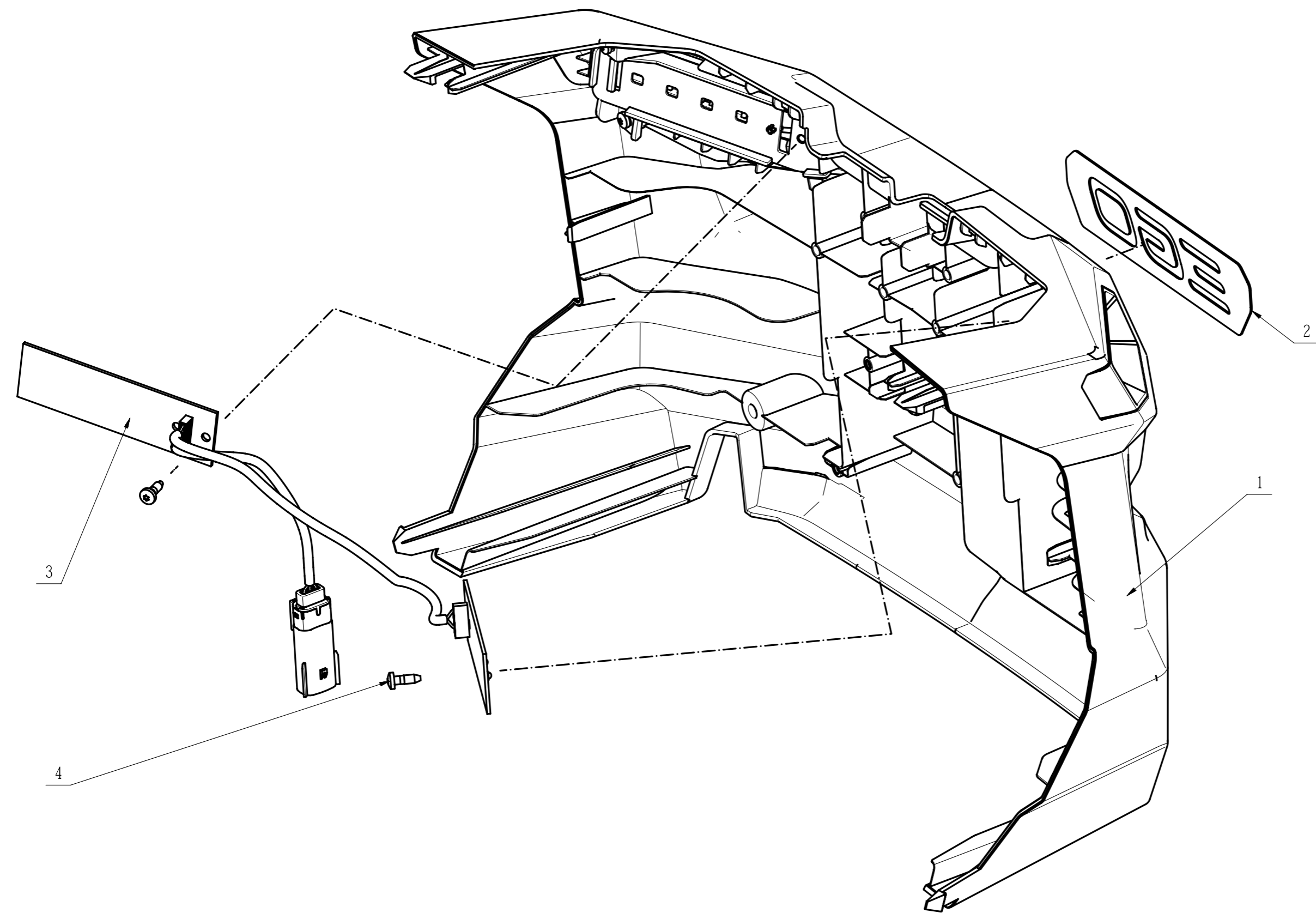




210 Front Axle







No.	Product Model#	Part Number	Description	Qty
1	TR4200	2246076001	Nameplate	1
2	TR4200	3134261002	Rear Guard	1
3	TR4200	2246019001	Nameplate	1
4	TR4200	2850177002	Rear Cover Assembly	1
5	TR4200	5630507001	Anti-stripping Clip	3
6	TR4200	2850182001	Lift Shaft Assembly	1
7	TR4200	3667856001	Tension Spring	1
8	TR4200	2829438001	Rocker Assembly	1
9	TR4200	5640510001	Hexagon Flange Head Screw with Shoulder	3
10	TR4200	2491144001	Nylon String	3
11	TR4200	2246023001	Nameplate	1
12	TR4200	2246086001	Nameplate	1
13	TR4200	5640360001	Hexagon Flange Head Thread Forming Screw	35
14	TR4200	2829621001	Base Assembly	1
15	TR4200	2829349001	Base Assembly	1
16	TR4200	5630516001	Conical Nut	8
17	TR4200	2829492001	Rear Wheel Set	2
18	TR4200	3708913001	Depth Stop Plate	1
19	TR4200	3134839001	Splash Guard	1
20	TR4200	3555993001	Spindle	2
21	TR4200	5630505001	Hex Nut	2
22	TR4200	5670561002	Split Pin	7
23	TR4200	5650178001	Washer	2
24	TR4200	5670553001	Pin Shaft	2
25	TR4200	5611051001	Hexagon Flange Head Thread Forming Screw	12
26	TR4200	5650017011	Plain Washer	4
27	TR4200	2246024001	Nameplate	1
28	TR4200	5610388001	Hexalobular Socket Thread Forming Screw	1
29	TR4200	3708920001	Handle Lever	1
30	TR4200	3134257001	Adjusting Handle	1
31	TR4200	2829635002	Cover Assembly	1
32	TR4200	3135103001	Fixed Unit	3
33	TR4200	3708979001	Close Cover	1
34	TR4200	3131157001	Wire Holder	2
35	TR4200	3667857001	Torsion Spring	1
36	TR4200	2490023001	Bundle	3
37	TR4200	5630511001	Nut	1
38	TR4200	3667865001	Compression Spring	1
39	TR4200	2829443001	Connecting Rod Assembly	1
40	TR4200	5630267001	Nut	8
41	TR4200	3134126001	Fixed Unit	2
42	TR4200	3708866001	Pressure Plate	2
43	TR4200	3134127001	Bottom Board	2
44	TR4200	5640363002	Flange Bolt-Large Series	4
45	TR4200	3708924001	Hitch	1
46	TR4200	5640302001	Hexagon Head Bolt	2
47	TR4200	5670753001	Spring Pin	1
48	TR4200	5640507001	Bolts for T-Slot	2
49	TR4200	3667850001	Compression Spring	2
50	TR4200	5640530001	U Bolt	4
51	TR4200	3134267001	Decorative Ring	1
52	TR4200	3323511001	Decorative Cover	1

No.	Product Model#	Part Number	Description	Qty
53	TR4200	5650703001	Plain Washer	2
54	TR4200	3403459001	Steering Wheel Assembly	1
55	TR4200	2246022001	Nameplate	1
56	TR4200	5670184002	Pin	2
57	TR4200	5640358001	Small Round Head Low Square Neck Bolt	6
58	TR4200	3708859002	Pedal	1
59	TR4200	5630518001	Lock Nut	2
60	TR4200	5650908001	Plain Washer	2
61	TR4200	2829678001	Front Wheel Set	2
62	TR4200	3134435001	Bushing	1
63	TR4200	2850266001	Protecting Net Assembly	1
64	TR4200	3134552001	Decorative Cover	1
65	TR4200	5620157006	Hexagon Socket Screw	4
66	TR4200	3667946001	Tension Spring	1
67	TR4200	3708947001	Bracket	1
68	TR4200	5640222001	Hexagon Flange Bolt	2
69	TR4200	3134123001	Locking Plate	1
70	TR4200	5620377003	Hexagon Socket Screw	21
71	TR4200	5611130001	Hexalobular Socket Tapping Screw	11
72	TR4200	3700367001	Cord Anchorage	1
73	TR4200	2245524001	Nameplate	2
74	TR4200	3708858002	Pedal	1
75	TR4200	5630371001	Prevailing Torque Type Hexagon Lock Nut with Flange	23
76	TR4200	3521236001	Support Base	2
77	TR4200	3707307001	Pressure Plate	2
78	TR4200	5640354001	Flange Bolt-Large Series	4
79	TR4200	5640353001	Flange Bolt-Large Series	4
80	TR4200	2850152001	Hanger Rod Assembly	1
81	TR4200	5630519001	Lock Nut	2
82	TR4200	5630070003	Nut	3
83	TR4200	5640521001	Hexagon Head Bolt	1
84	TR4200	3580470001	Bushing	3
85	TR4200	2850198001	Front Frame Assembly	1
86	TR4200	4861221001	Bus Wire Harness Assembly	1
87	TR4200	2827673001	Key Assembly	2
88	TR4200	5680369001	Open-end Wrench	2
89	TR4200	5680368001	Socket Wrench	1
90	TR4200	2823689001	Quick Connect Coupling	1
201	TR4200	2829546002	Seat Assembly	1
202	TR4200	2832127001	Control Electric Assembly	1
207	TR4200	2829440001	Brake Assembly	1
208	TR4200	2829441001	Accelerator	1
213	TR4200	2850207001	Battery Box Assembly	1
214	TR4200	2851021001	Wrench Tool Set	1
201-1	TR4200	5611121001	Hexagon Socket Button Head Screw	2
201-2	TR4200	4870579001	Switch Assembly	1
201-3	TR4200	5630371001	Prevailing Torque Type Hexagon Lock Nut with Flange	10
201-4	TR4200	2829523001	Right Guide Rail	1
201-5	TR4200	2829522001	Left Guide Rail	1
201-6	TR4200	5650024005	Plain Washer	12
201-7	TR4200	5611175001	Hexagon Socket Head Cap Screw	4
201-8	TR4200	2246018001	Nameplate	1

No.	Product Model#	Part Number	Description	Qty
202-1	TR4200	4861205001	Motor Wiring Harness	1
202-2	TR4200	2831471001	Motor Driver Electric Assembly	2
202-3	TR4200	4861204001	Motor Wiring Harness	1
202-4	TR4200	5620377003	Hexagon Socket Screw	40
202-5	TR4200	3131053001	Fuse PCB Box	1
202-6	TR4200	4970355001	Fuse	3
202-7	TR4200	2850307001	Base Assembly	1
202-8	TR4200	3134292001	Close Cover	1
202-9	TR4200	4861235001	Host Power Wire Harness	1
202-10	TR4200	2831467001	Connecting Electric Assembly	1
202-11	TR4200	3700367001	Cord Anchorage	5
202-12	TR4200	4860751001	Motor Wire Harness	1
202-13	TR4200	4860751002	Motor Wire Harness	1
202-14	TR4200	3134291001	PCB Box	1
202-15	TR4200	4861210001	Host Power Wire Harness	1
202-16	TR4200	5640373001	Hexagon Head Bolt	3
202-17	TR4200	4860768001	Host Power Wire Harness	1
202-18	TR4200	5630006003	Prevailing Torque Hexagon Nut	6
202-19	TR4200	5630015001	Prevailing Torque Hexagon Nut	1
202-20	TR4200	2831470001	Main Electric Assembly	1
202-21	TR4200	4861211001	Wire Harness	1
202-22	TR4200	5611128001	Screw and Washer Assembly	21
202-23	TR4200	5620019004	Hexagon Socket Screw	6
202-24	TR4200	3707407001	Cord Anchorage	1
202-25	TR4200	4861234001	Motor Wire Harness	1
202-26	TR4200	3133018001	Waterproof Plug	2
203-1	TR4200	5630244004	Nut	2
203-2	TR4200	3708883001	Rocker Arm	2
203-3	TR4200	5640536001	Flange Bolt	2
203-4	TR4200	2730382001	DC Motor	1
203-5	TR4200	5690612001	Sealing Gasket	1
203-6	TR4200	2829675001	Rear Axle Assembly	1
203-7	TR4200	5620550004	Hexagon Socket Screw	4
203-8	TR4200	5611050001	Hexagon Socket Screw	1
203-9	TR4200	5970163001	Grease	2
204-1	TR4200	5610388001	Hexalobular Socket Thread Forming Screw	5
204-2	TR4200	3708919001	Bearing Clamping Plate	1
204-3	TR4200	5700252001	Ball Bearing	1
204-4	TR4200	3708905001	Switch-plate	1
204-5	TR4200	5640222001	Hexagon Flange Bolt	1
204-6	TR4200	3708904001	Supporting Structure	1
204-7	TR4200	5630371001	Prevailing Torque Type Hexagon Lock Nut with Flange	1
205-1	TR4200	5640212002	Bolt	1
205-2	TR4200	5640354001	Flange Bolt-Large Series	3
205-3	TR4200	3708923001	Deflecting Plate	1
205-4	TR4200	3708916001	Connecting Plate	1
205-5	TR4200	5630371001	Prevailing Torque Type Hexagon Lock Nut with Flange	3
205-6	TR4200	5650366001	Washer	1
205-7	TR4200	5650288001	Wave washer	1
205-8	TR4200	3580471001	Bushing	1
205-9	TR4200	5630267001	Nut	1
205-10	TR4200	2850275001	Shaft Assembly	1

No.	Product Model#	Part Number	Description	Qty
205-11	TR4200	5650246001	Washer	2
205-12	TR4200	5640357001	Semicircular Head Square Neck Bolt	2
205-13	TR4200	3522133001	Support Base	1
205-14	TR4200	5650305001	Wave Washer	1
205-15	TR4200	5630244004	Nut	2
205-16	TR4200	3570388001	Spline Gear	1
205-17	TR4200	5630070003	Nut	1
205-18	TR4200	3580472001	Bushing	1
206-1	TR4200	3134190001	Cruise Button	1
206-2	TR4200	4870762001	Push Switch	1
206-3	TR4200	3667866001	Compression Spring	1
206-4	TR4200	2246017001	Nameplate	1
206-5	TR4200	3134137002	Push Plate	1
206-6	TR4200	5620377003	Hexagon Socket Screw	4
206-7	TR4200	3134138001	Plunge Unit	1
206-8	TR4200	3650312001	Pull Rod	1
206-9	TR4200	3135120001	Rubber Plug	1
206-10	TR4200	5611130001	Hexalobular Socket Tapping Screw	2
206-11	TR4200	5630507001	Anti-stripping Clip	4
206-12	TR4200	2246021001	Nameplate	1
206-13	TR4200	3134186001	Support Base	1
206-14	TR4200	3134179001	Charging Port Cover	1
206-15	TR4200	3660810001	Torsion Spring	2
206-16	TR4200	2829750001	Charging Harness Assembly	1
206-17	TR4200	3134192002	Handle	1
206-18	TR4200	2246016001	Nameplate	1
206-19	TR4200	2829495001	LCD Assembly	1
206-20	TR4200	5610305001	Tapping Screw	29
206-21	TR4200	2831466001	Operation Panel Control Electric Assembly	1
206-401	TR4200	2851019001	Operation Panel Assembly	1
207-1	TR4200	3134128001	Pedal	1
207-2	TR4200	5620377003	Hexagon Socket Screw	5
207-3	TR4200	3650329001	Handspike	1
207-4	TR4200	5670184002	Pin	1
207-5	TR4200	3134130001	Switch Support	1
207-6	TR4200	4870979001	Switch Assembly	1
208-1	TR4200	2831378001	Hall Electric Assembly	1
208-2	TR4200	5620377003	Hexagon Socket Screw	4
208-3	TR4200	3134129001	Pedal	1
209-1	TR4200	2243529014	Nameplate	1
209-2	TR4200	2823670004	Chute Deflector Assembly	1
209-3	TR4200	5630371001	Prevailing Torque Type Hexagon Lock Nut with Flange	2
209-4	TR4200	3131072001	Roller Wheel	2
209-5	TR4200	5640352001	Hexagon Flange Bolt	2
209-6	TR4200	2246085001	Nameplate	1
209-7	TR4200	5640357001	Semicircular Head Square Neck Bolt	5
209-8	TR4200	5640222001	Hexagon Flange Bolt	8
209-9	TR4200	2246027001	Nameplate	1
209-10	TR4200	5640226001	Flange Bolt	2
209-11	TR4200	5650510001	Washer	2
209-12	TR4200	3580113001	Flange	2
209-13	TR4200	5630244004	Nut	5

No.	Product Model#	Part Number	Description	Qty
209-14	TR4200	3131048001	Baffle Strip	1
209-15	TR4200	2244796001	Nameplate	1
209-16	TR4200	2829476002	Deck Unit	1
209-17	TR4200	2823718001	Outlet Nozzle Assembly	1
209-18	TR4200	5610388001	Hexalobular Socket Thread Forming Screw	1
209-19	TR4200	2730319001	DC Motor	2
210-1	TR4200	5660384001	Spiral Ring For Shaft	2
210-2	TR4200	5650908001	Plain Washer	4
210-3	TR4200	2829425001	Front Wheel Bracket Assembly	1
210-4	TR4200	5700539001	Spherical Plain Bearings	4
210-5	TR4200	3708922001	Right Drag Link	1
210-6	TR4200	3708921001	Left Drag Link	1
210-7	TR4200	5630520001	Hexagon Thin Nut	4
210-8	TR4200	5630519001	Lock Nut	2
210-9	TR4200	2829424001	Front Wheel Bracket Assembly	1
210-10	TR4200	5640520001	Straight Hydraulic Grease Nipples	2
210-11	TR4200	2829423001	Front Axle	1
211-1	TR4200	2246015001	Nameplate	1
211-2	TR4200	3403493002	Lid Case	1
211-3	TR4200	2850158002	Battery Box Cover Assembly	1
211-4	TR4200	5670564001	Pin Shaft	2
211-5	TR4200	5620377003	Hexagon Socket Screw	6
211-6	TR4200	2246020002	Nameplate	1
211-7	TR4200	3134185002	Right Cover	1
211-8	TR4200	5630507001	Anti-stripping Clip	2
211-9	TR4200	3134178002	Left Cover	1
211-10	TR4200	5630231001	Nut	2
211-11	TR4200	3707349001	Support Base	2
211-12	TR4200	5620477003	Hexagon Lobular Screw	2
211-13	TR4200	2246020001	Nameplate	1
211-14	TR4200	5660305001	E Ring	2
211-15	TR4200	5670559001	Pin Shaft	2
211-16	TR4200	3660805001	Gas Spring	1
212-1	TR4200	2850240002	Front Cover Assembly	1
212-2	TR4200	3707446001	EGO Logo	1
212-3	TR4200	2831479001	LED Electric Assembly	1
212-4	TR4200	5620377003	Hexagon Socket Screw	2