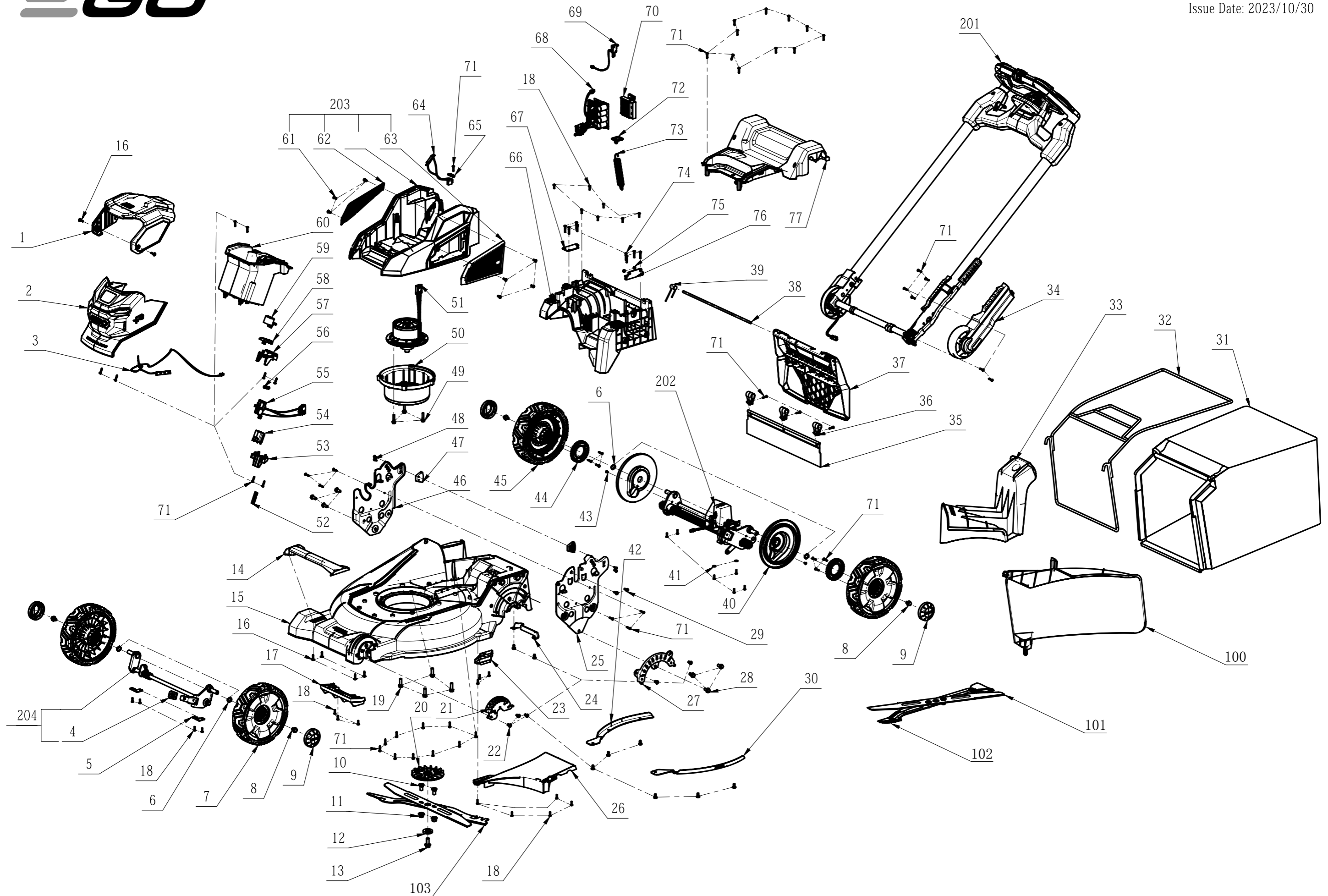


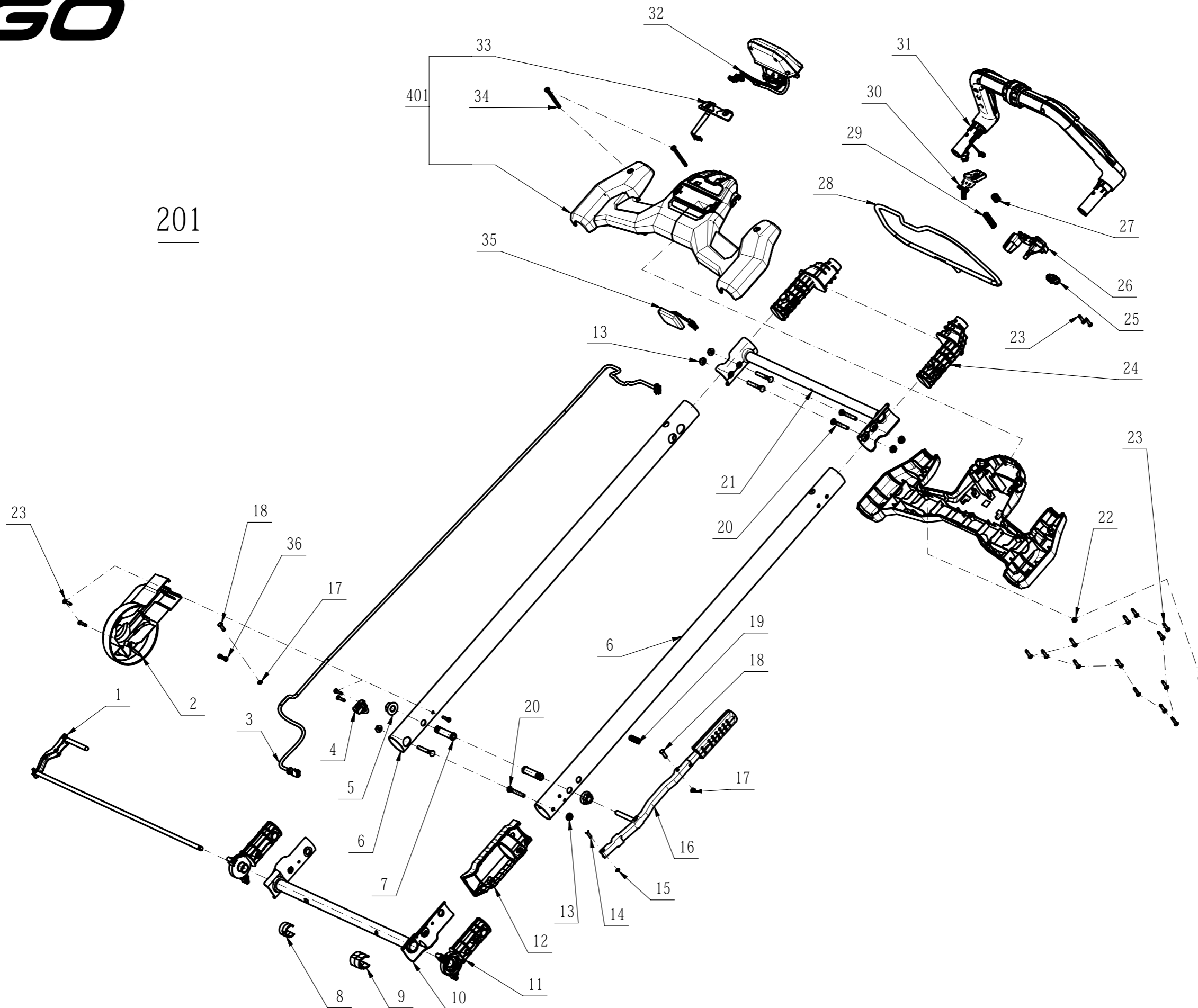


Product Description:Lawn Mower
Model Number:LM2200SP
Service Item Number:F710049001S01
Version:A
Issue Date: 2023/10/30





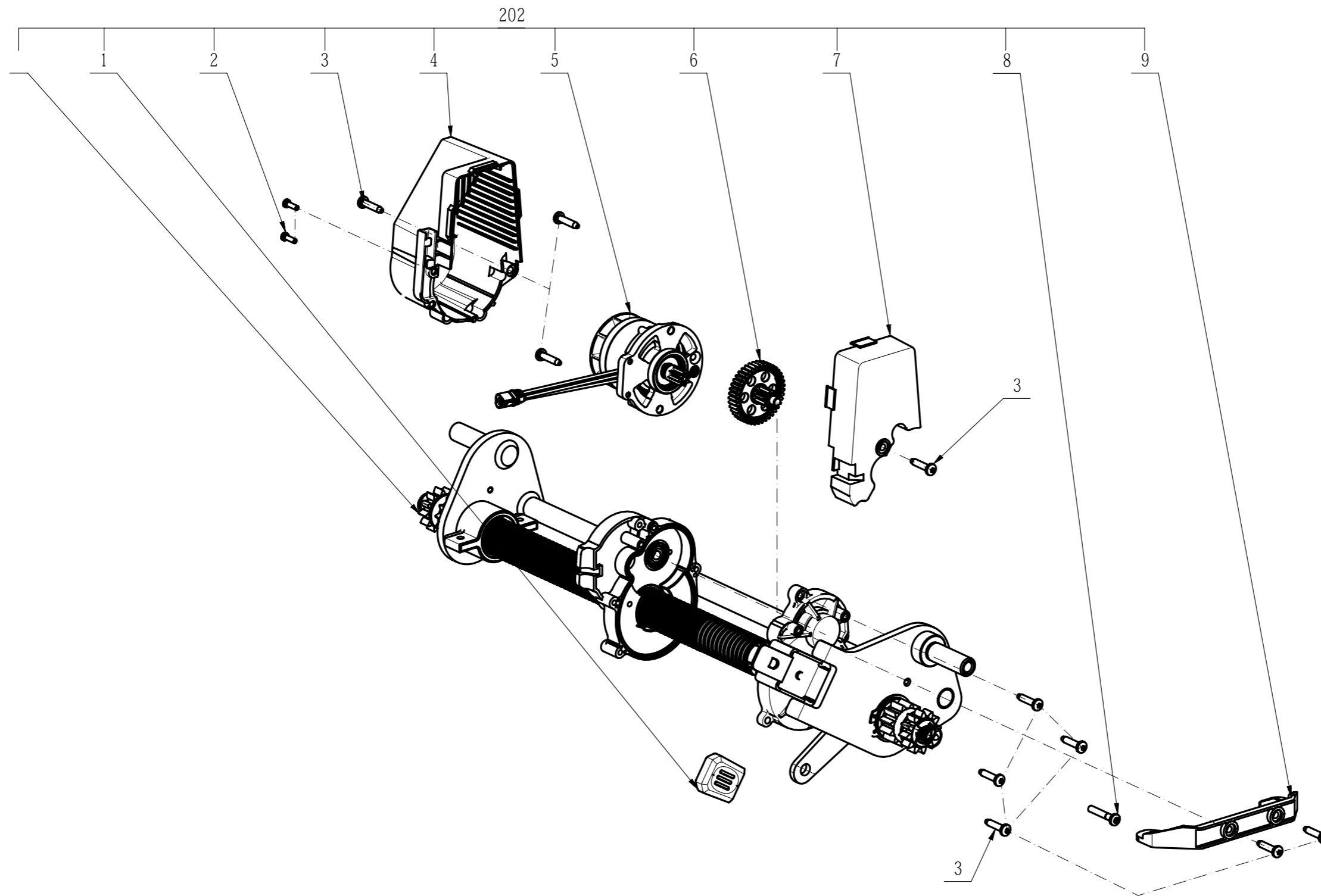
Product Description: Handle Assembly
Model Number: LM2200SP
Service Item Number: 2850674001S01
Version: A
Issue Date: 2023/11/1



201



Product Description: Self-Propelled Unit
Model Number: LM2200SP
Service Item Number: 2850521001S01
Version: A
Issue Date: 2023/11/01



Service Part List_LM2200SP_Vervion A

No.	Product Model#	Part Number	Description	Qty
1	LM2200SP	2850571002	Battery Cover Assembly	1
2	LM2200SP	2850575002	Front Cover Assembly	1
3	LM2200SP	2831849001	LED Electric Assembly	1
4,202-1	LM2200SP	3134856001	Height Adjusting Lever	2
5	LM2200SP	3705216001	Mounting Plate	2
6	LM2200SP	5650453001	Wave Washer	4
7	LM2200SP	2850210001	Front Wheel Assembly	2
8	LM2200SP	5640010003	Hexagon Flange Bolt	4
9	LM2200SP	3131636001	Wheel Hub Cover	4
10	LM2200SP	5640538001	Mushroom Head Square N	2
11	LM2200SP	5630543001	Prevailing Torque Type	2
12	LM2200SP	5650705002	Washer	1
13	LM2200SP	5640226002	Flange Bolt	1
14	LM2200SP	3134931001	Front Handle	1
15	LM2200SP	3423516002	Deck	1
16	LM2200SP	5610893001	Hexalobular Socket Pan	6
17	LM2200SP	3134854001	Shield	1
18	LM2200SP	5620511004	Hexagon Socket Screw	28
19	LM2200SP	5640354001	Flange Bolt-Large Seri	4
20	LM2200SP	3300082001	Fan	1
21	LM2200SP	3709117001	Depth Stop Plate	1
22	LM2200SP	5610388001	Hexalobular Socket Thr	13
23	LM2200SP	3135522001	Fixing Block	1
24	LM2200SP	3709179001	Limit Plate	1
25	LM2200SP	3709114001	Left Supporting Plate	1
26	LM2200SP	3134858001	Rear Enclosure	1
27	LM2200SP	3709116001	Depth Stop Plate	1
28	LM2200SP	5640360001	Hexagon Flange Head Th	6
29	LM2200SP	5620604001	Hexagon Socket Screw	2
30	LM2200SP	3709118001	Protecting Cover Plate	1
31	LM2200SP	3800247001	Grass Catcher	1
32	LM2200SP	3709186001	Bag Frame	1
33	LM2200SP	3134867001	Mulch Plug	1

No.	Product Model#	Part Number	Description	Qty
34	LM2200SP	3135342002	Left Decorate Cover	1
35	LM2200SP	3134857001	Trail Shield	1
36	LM2200SP	3129770001	Bevel Support	3
37	LM2200SP	3134964002	Rear Cover	1
38	LM2200SP	5670757001	Shaft	1
39	LM2200SP	3668002001	Torsion Spring	1
40	LM2200SP	3128946001	Protecting Cap	2
41	LM2200SP	5650004008	Plain Washer	2
42	LM2200SP	3709126001	Protecting Cover Plate	1
43	LM2200SP	5620067010	Screw	2
44	LM2200SP	3520933001	Gear	2
45	LM2200SP	2850211001	Rear Wheel Assembly	2
46	LM2200SP	3709113001	Right Supporting Plate	1
47	LM2200SP	3134881001	Bottom Board	2
48	LM2200SP	5620377001	Hexagon Socket Screw	4
49	LM2200SP	5640217004	Bolt and Washer Set	3
50	LM2200SP	3403523001	Motor Support	1
51	LM2200SP	2730412001	DC Motor	1
52	LM2200SP	3660979001	Compression Spring	1
53	LM2200SP	3131426001	Supporting Structure	1
54	LM2200SP	3131427001	Sliding Block	1
55	LM2200SP	3403584001	Connecting Seat Wire Assembly	1
56	LM2200SP	3660303002	Spring	1
57	LM2200SP	3131425001	Support Base	1
58	LM2200SP	3126772001	Sliding Block	1
59	LM2200SP	3126760001	Release Button	1
60	LM2200SP	3134890001	Battery Box	1
61	LM2200SP	5620566003	Hexalobular Socket Scr	7
62	LM2200SP	3134888001	Right Fan Baffle	1
63	LM2200SP	3134889001	Left Fan Baffle	1
64	LM2200SP	2832018001	Fuse Electric Assembly	1
65	LM2200SP	3707407001	Cord Anchorage	1
66	LM2200SP	3134868001	Base	1
67	LM2200SP	3706195001	Right Fixing Block	1
68	LM2200SP	2831990001	Main Electric Assembly	1

No.	Product Model#	Part Number	Description	Qty
69	LM2200SP	2826165001	Switch Assembly	1
70	LM2200SP	2831987001	Electric Assembly	1
71,201-23,202-3	LM2200SP	5620157006	Hexagon Socket Screw	81
72	LM2200SP	3706726001	Spring Seat	1
73	LM2200SP	3667942001	Tension Spring	1
74,202-8	LM2200SP	5620480002	Screw	8
75	LM2200SP	5630006003	Prevailing Torque Hexa	2
76	LM2200SP	3706196001	Left Fixing Block	1
77	LM2200SP	3134870002	Service Cover	1
100	LM2200SP	3136260001	Side Discharge Chute	1
101	LM2200SP	3709141001	Upper Blade	1
102	LM2200SP	3709140001	High-lift bagging blade	1
103	LM2200SP	3709139001	Mulching Lower Blade	1
201	LM2200SP	2850674001	Handle Assembly	1
201-1	LM2200SP	2850657001	Connecting Rod Assembly	1
201-2	LM2200SP	3135343001	Right Decorate Cover	1
201-3	LM2200SP	4861341001	Bus Wire Harness Assembly	1
201-4	LM2200SP	3135341001	Support	1
201-5	LM2200SP	5630268001	Nut	2
201-6	LM2200SP	3709409001	Aluminium Pipe	2
201-7	LM2200SP	3556190001	Sleeve	2
201-8	LM2200SP	3135605001	Lock Sleeve	1
201-9	LM2200SP	3129714001	Switch Actuator	1
201-10	LM2200SP	2850120001	Spindle Assembly	1
201-11	LM2200SP	3135340001	Joint	2
201-12	LM2200SP	3135339001	Fixing Block	1
201-13	LM2200SP	5630263002	Flange Nut	6
201-14	LM2200SP	5670142001	Pin Shaft	1
201-15	LM2200SP	5660302001	E Ring	1
201-16	LM2200SP	2850670001	Adjusting Lever Set	1
201-17	LM2200SP	5660245001	"E" Ring	2
201-18	LM2200SP	3550048003	Pin	2
201-19	LM2200SP	3660565001	Compression Spring	1
201-20	LM2200SP	5640563001	Semicircular Head Square Neck B	6
201-21	LM2200SP	2850447001	Connecting Lever Assembly	1

No.	Product Model#	Part Number	Description	Qty
201-22	LM2200SP	5630006002	Prevailing Torque Hexagon Nut	2
201-24	LM2200SP	3135388001	Connector	2
201-25	LM2200SP	3126763001	Clamp	1
201-26	LM2200SP	3131603001	Switch Actuator	1
201-27	LM2200SP	3660011002	Spring	1
201-28	LM2200SP	2825826001	Control Handle Set	1
201-29	LM2200SP	3660562001	Compression Spring	1
201-30	LM2200SP	3133864001	Button	1
201-31	LM2200SP	2850874001	Handle Set	1
201-32	LM2200SP	2850838001	Switch Box Assembly	1
201-33	LM2200SP	4871029001	Film Switch	1
201-34	LM2200SP	5620161005	Hexagon Socket Screw	2
201-35	LM2200SP	2831840001	Bluetooth Electric Assembly	1
201-36	LM2200SP	3660340001	Spring	1
201-401	LM2200SP	2850837001	Switch Box Assembly	1
202	LM2200SP	2850521001	Self-Propelled Unit	1
202-2	LM2200SP	5620033010	Cross Recess Pan Head Screw	2
202-4	LM2200SP	3134922001	Dust Cover	1
202-5	LM2200SP	2829506001	Motor & Gear Assembly	1
202-6	LM2200SP	2825404001	Gear Set	1
202-7	LM2200SP	3129891001	Dust Cover	1
202-9	LM2200SP	3128943001	Support	1
203	LM2200SP	2850573002	Base Assembly	1
204	LM2200SP	2850094001	Front Axle Set	1