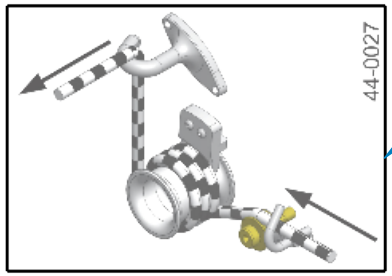


44-0185



44-0027

Portable Winch Co. 1170, Thomas-Tremblay
Sherbrooke, QC, J1G 5G5 Canada

Portable Capstan Winch Model:
Power supply: Year manufactured:
Pulling force: Serial number:
Rated lifting capacity: Classification:
Rope: min. break force:
max. diameter:

10-0336

39-0042 45-0032 R12 45-0028 45-0000 10-0324 31-0019

35-0004 33-0005 10-0098 PCA-1281 35-0004

44-0027 44-0185

10-0084 10-0094 31-0022 44-0019

49-0032 R12 10-0336 R12

70-0013 70-0012 70-0011 10-0093 43-0012 43-0015

35-0004 PCA-1281 10-0098 35-0004 31-0010

43-0005 10-0086 35-0006 31-0023 10-0095

31-0025

10-0099

43-0013

10-0085

35-0001

32-0002

31-0080 R12

10-0102

10-0100

10-0096

39-0008

31-0024

43-0004

10-0103

10-0101

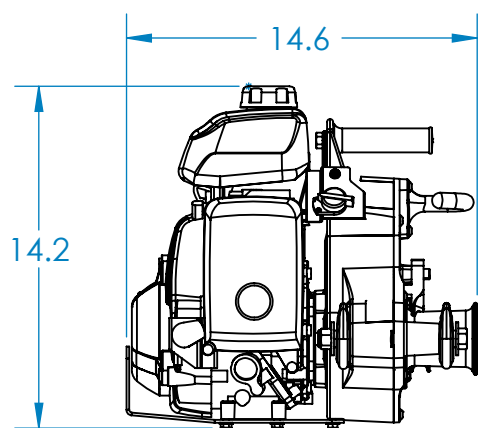
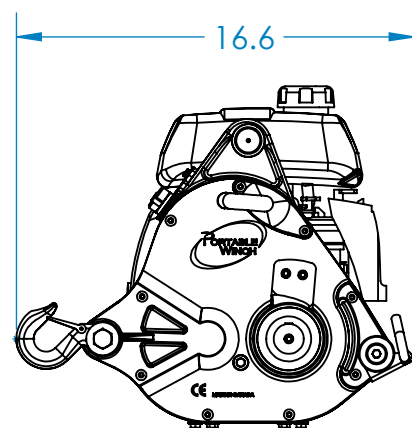
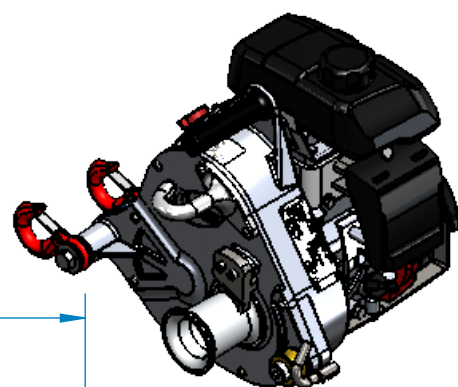
10-0119

REV	ZONE	DESCRIPTIONS	DR	CK	APP	DATE
R12	C1	PART 49-0032 ADDED				21-04-29
	C1	PART 10-0336 ADDED				
	D3	PART 45-0028 ADDED				
	D3	PART 45-0032 ADDED				
	A8	PART NUMBERS ADDED TO DRAWING				
		REVISION COLUMN ADDED				
		PART 31-0080 ADDED				
		PART 31-0025 QUANTITY CHANGED				
R11	D3	PART 18 CHANGED				15-05-04
	D3	PART 16 CHANGED				
R10	A3	TITLE CHANGED				12-12-04

DRAWN	P. GODON	TITLE	PCW5000 GAS POWERED PULLING WINCH. MAX. PULLING FORCE: 1000kg
CHECKED	J.L. BÉDARD	SYSTEM	...
APPROVED	P. ROY	MATERIAL	...
APP. DATE	2004-01-15	FINISH	...
GENERAL TOLERANCES IF NOT SPECIFIED		WEIGHT	35.00lbs
DECIMAL	0.0... ±0.015"	FRACTION	1/32"
0.00... ±0.007"	ANGLE	0.5°	E.C. No.
0.000... ±0.003"	FINISH	125	...
HOLES LOCALIZATION ±1/64		3d ANGLE PROJECTION	DO NOT MEASURE DIRECTLY ON DRAFT



PART NUMBER	REV. No.	DESCRIPTION	QTY	PART NUMBER	REV. No.	DESCRIPTION	QTY
10-0084	R14	GEARBOX HOUSING	1	31-0024	...	BHCS 1/4-20 X 1 - SS	6
10-0085	R12	GEARBOX COVER	1	R12 31-0025	...	BHCS 1/4"-20 X 3/4" SS	3
10-0086	R7	INPUT PINION	1	R12 31-0080	...	SHCS 1/4-20 X 3/4 - SS	3
10-0093	R3	THRUST WASHER 3/4 X 1-1/4 X 0.170	1	32-0002	...	FLANGE BOLT SERRATED M6-1 x 12mm - ZN	6
10-0094	R4	WINCH HANDLE	1	33-0005	...	NUT 1/2-13 NYLON - ZN	1
10-0095	R5	GUARD PLATE PCW5000	1	35-0001	...	INTERNAL TOOTH LOCK WASHER TYPE-A 1/4 - ZN	4
10-0096	R9	CAPSTAN DRUM 57mm	1	35-0004	...	FLAT WASHER 1/2 - ZN	4
10-0098	R2	BUSHING FOR SAFETY HOOK	2	35-0006	...	FLAT WASHER 1/4 - ZN	1
10-0099	R5	ALUMINIUM ROPE EXIT HOOK	1	39-0008	...	OIL PLUG 3/8 - ZN	1
10-0100	R8	ROPE GUIDE FOR CAPSTAN DRUM 57mm	1	39-0042	...	TAPPING SCREW - TYPE AB-#10x5/8	1
10-0101	R7	ROPE ENTRY PULLEY	1	43-0004	...	RADIAL SHAFT SEAL 30 X 42 X 7 - CRWA1	1
10-0102	R2	RETAINING WASHER (1/4 X 1-1/4 OD) - ZN	1	43-0005	R4	KEY FOR INPUT PINION (3/16 X 1/8 X 3/4)	1
10-0103	R3	ROPE KEEPER	1	43-0012	...	CLUTCH BEARING RCB121616	1
10-0119	R0	SHOULDER BOLT 5/8 X 1 1/2 - ZN	1	43-0013	...	KEY FOR CAPSTAN DRUMS 57mm & 85mm (5/16 X 1-1/4)	1
10-0324	R0	HONDA SWITCH MOUNT SPACER	1	43-0015	...	STEEL BUSHING IR1616	1
R12 10-0336	R1	GENERIC INFORMATION & SERIAL PLATE	1	44-0019	...	VINYL GRIP	1
31-0010	...	HCS 1/2-13 X 6 - GR5 - ZN	1	44-0027	...	LABEL - ROPE INSTALLATION PCW5000	1
31-0019	...	HCS 3/8"-24 X 1" Gr5 - ZN	1	44-0185	R1	LABEL FOR AUDITIVE PROTECTION	1
31-0022	...	HCS 1/4-28 X 1-1/4 - ZN	4	R12 45-0028	...	ON/OFF SWITCH PLATE FOR GXH50	1
31-0023	...	BHCS 1/4-28 X 1/2 - ZN	1	R12 45-0032	...	ON/OFF SWITCH FOR WINCHES	1
				45-0000	...	HONDA ENGINE GXH50U-QXA	1
				R12 49-0032	...	TYPE "U" DRIVE SCREWS 1/4" X 0.114"	4
				70-0011	R3	HIGH SPEED SHAFT ASSEMBLY - 97 TEETH	1
				70-0012	R2	INTERMEDIATE SPEED SHAFT ASSY. - 78 TEETH	1
				70-0013	R2	LOW SPEED SHAFT ASSEMBLY - 65 TEETH	1
				PCA-1281	...	SAFETY HOOK WLL: 3/4 TON	2



R12	B4	PART 49-0032 ADDED
	D4	PART 10-0336 ADDED
	B4	PART 45-0028 ADDED
	B4	PART 45-0032 ADDED
	B4	PART NUMBERS ADDED TO DRAWING
	D8	REVISION COLUMN ADDED
	D4	PART 31-0080 ADDED
	D4	PART 31-0025 QUANTITY CHANGED
R11	D3	PART 18 CHANGED
	D3	PART 16 CHANGED
R10	A3	TITLE CHANGED
REV	ZONE	DESCRIPTIONS
		REVISION

F.M.	A.B.	P.R.	21-04-29
F.M.	F.M.	P.R.	15-05-04
F.M.	F.M.	P.R.	12-12-04

DRAWN	P. GODON	TITLE	PCW5000 GAS POWERED PULLING WINCH. MAX. PULLING FORCE: 1000kg
CHECKED	J.L. BÉDARD	SYSTEM	...
APPROVED	P. ROY	MATERIAL	...
APP. DATE	2004-01-15	FINISH	...
GENERAL TOLERANCES IF NOT SPECIFIED		WEIGHT	35.00lbs
DECIMAL	0.0".....±0.015"	FRACTION1/32"
	0.00".....±0.007"	ANGLE0.5°
	0.000".....±0.005"	FINISH125
HOLES LOCALIZATION ±1/64		3rd ANGLE PROJECTION	
		DIMENSIONS : IMPERIAL	REFERENCE No. ...
		SCALE : SHOWN	FILE : PCW5000-R12
		DO NOT MEASURE DIRECTLY ON DRAFT	FORMAT B
		DRAWING No.	PCW5000
		REV. SHEET	R12 1/2



© 2012 Portable Winch Co. - All Rights Reserved - Tous droits réservés