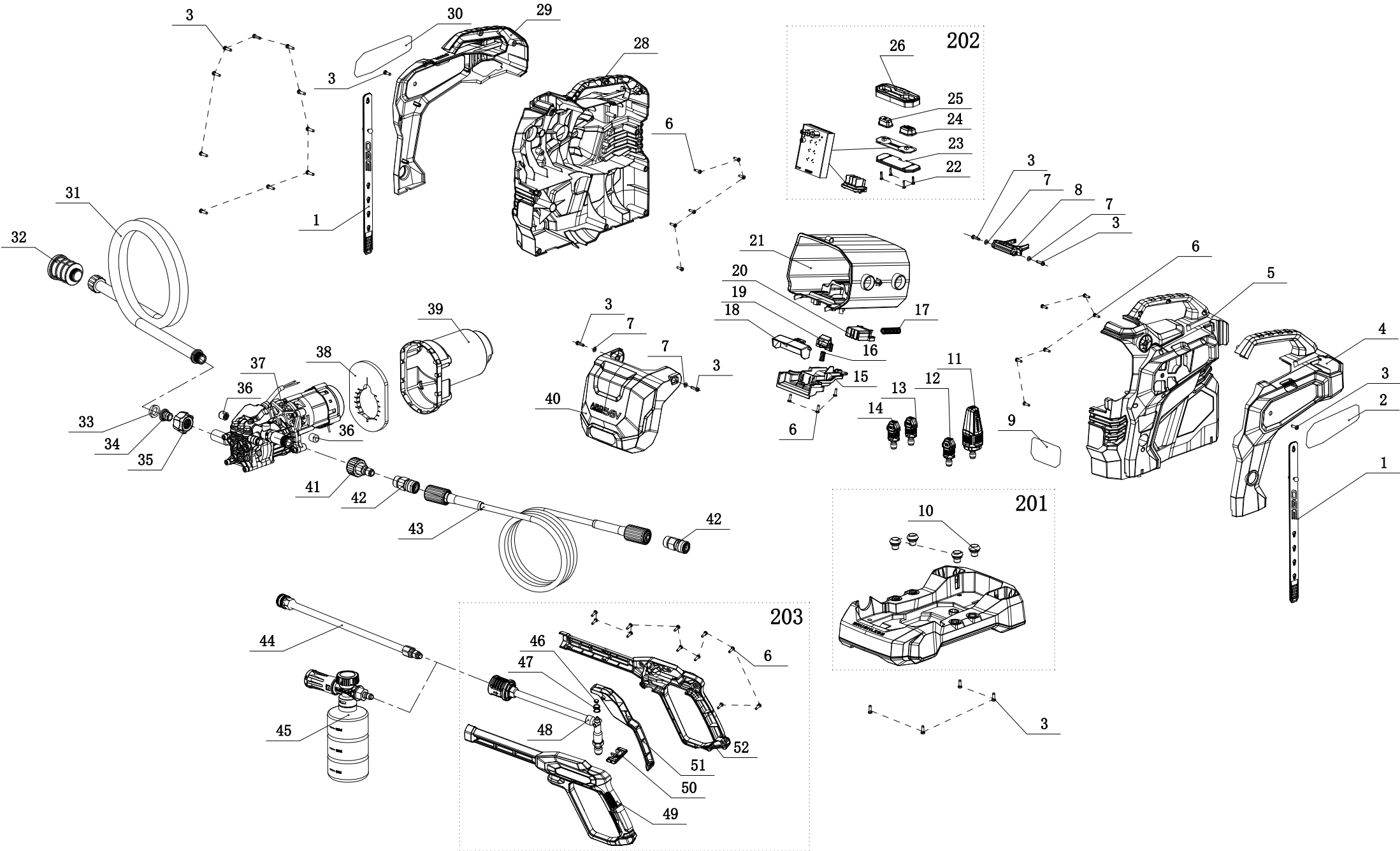




Product Description: High Pressure Washer
Model Number: HPW2100
Body Number:
Version: A
Issue Date: 2024/9/5



Service Part List_HPW2100_Version A

No.	Product Model#	Part Number	Description	Qty
1	HPW2100	3136719001	HOSE HOLDER STRAP	2
2	HPW2100	2246445001	LABEL-1	1
3	HPW2100	5611399001	ST-SCREW	20
4	HPW2100	3136720001	RIGHT TRIM PANEL	1
5	HPW2100	3136721001	RIGHT HOUSING	1
6	HPW2100	5611400001	ST-SCREW	15
7	HPW2100	5651177001	WASHER	4
8	HPW2100	3136714001	FOAM CANNON STORAGE	1
9	HPW2100	2246446001	LABEL-2	1
10	HPW2100	3136722001	NOZZLES STORAGE	4
11	HPW2100	2852299001	QUICK-TURBO	1
12	HPW2100	2852300001	10° NOZZLE	1
13	HPW2100	2852301001	25° NOZZLE	1
14	HPW2100	2852302001	40° NOZZLE	1
15	HPW2100	3136723001	PRESS PLATE	1
16	HPW2100	3668111001	SPRING	1
17	HPW2100	3668112001	SRPING	1
18	HPW2100	3136724001	BATTERY-RELEASE BUTTON	1
19	HPW2100	3136725001	EJECTION MACHANISM	1
20	HPW2100	3136726001	ELECTRIC CONTACTS	1
21	HPW2100	3136727001	BATTERY COMPARTMENT	1
22	HPW2100	5611401001	ST-SCREW	4
23	HPW2100	3136733001	KEY SEAT	1
24	HPW2100	3136718001	SPEED BUTTON	1
25	HPW2100	3136717001	POWER BUTTON	1
26	HPW2100	2852298001	KEY PANEL	1
28	HPW2100	3136728001	LEFT HOUSING	1
29	HPW2100	3136729001	LEFT TRIM PANEL	1
30	HPW2100	2246447001	LABEL-3	1
31	HPW2100	2852303001	INLET HOSE	1
32	HPW2100	2852304001	FILTER COVER	1
33	HPW2100	2852305001	WATER FILTER ASM	1
34	HPW2100	5640632001	CONNECTOR CORE	1
35	HPW2100	5630627001	SWIVEL-NUT	1
36	HPW2100	3136731001	DAMPING WASHER	2
37	HPW2100	2852306001	MOTOR PUMP	1
38	HPW2100	3710214001	MOTOR FILTER	1
39	HPW2100	3136732001	MOTOR COVER	1
40	HPW2100	3324124001	BATTERY COMPARTMENT COVER	1
41	HPW2100	5630628001	CONVERSION CONNECTOR	1
42	HPW2100	5630629001	QUICK JOINT	2
43	HPW2100	2852307001	HIGH PRESSURE TUBE	1
44	HPW2100	2852308001	GUN LANCE	1
45	HPW2100	2852309001	FOAM SPRAYER	1
46	HPW2100	5651176001	TRIGGER WASHER	1
47	HPW2100	3668110001	TRIGGER SPRING	1
48	HPW2100	2852295001	VALVE ASM	1
49	HPW2100	3324123001	GUN LEFT HOUSING	1

50	HPW2100	3136716001	LOCK	1
51	HPW2100	3136715001	GUN TRIGGER	1
52	HPW2100	3324122001	GUN RIGHT HOUSING	1
201	HPW2100	2852310001	SEAT ASM	1
202	HPW2100	2852311001	ELECTRONIC CONTROL SYSTEM ASM	1
203	HPW2100	2852296001	SPRAY GUN ASM	1