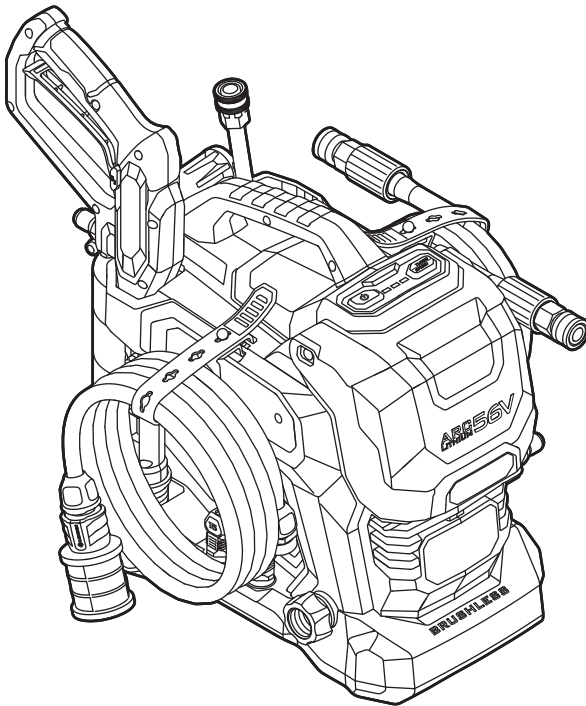


# EGO™

POWER+ CLEANING™



OPERATOR'S MANUAL

## 56-VOLT LITHIUM-ION PRESSURE WASHER

MODEL NUMBER HPW2100/HPW2100-FC

Français p. 37

Español p. 77

**⚠ WARNING:** To reduce the risk of injury, the user must read and understand the Operator's Manual before using this product. Save these instructions for future reference.



# READ ALL INSTRUCTIONS!



READ & UNDERSTAND  
OPERATOR'S MANUAL

## TABLE OF CONTENTS

Safety Symbols .....	3
Symbols .....	4
Important Safety Instructions for Pressure Washer .....	5-6
Introduction .....	7
Specifications .....	8
Accessories .....	9
Description .....	10-14
Assembly .....	15-22
Operation .....	23-27
Maintenance .....	28-31
Troubleshooting .....	32-34
EGO Limited Warranty .....	35-36

# SAFETY SYMBOLS

The purpose of safety symbols is to attract your attention to possible dangers. The safety symbols and the explanations with them deserve your careful attention and understanding. The symbol warnings do not, by themselves, eliminate any danger. The instructions and warnings they give are no substitutes for proper accident prevention measures.

**⚠ WARNING:** Be sure to read and understand all safety instructions in this Operator’s Manual, including all safety alert symbols such as “**DANGER**”, “**WARNING**”, and “**CAUTION**” before using this machine. Failure to follow all instructions listed below may result in electric shock, fire, and/or serious personal injury.

The definitions below describe the level of severity for each signal word. Please read the manual and pay attention to these symbols.	
	This is the safety alert symbol. It is used to alert you to potential personal injury hazards. Obey all safety messages that follow this symbol to avoid possible injury or death.
	DANGER indicates a hazardous situation which, if not avoided, will result in death or serious injury.
	WARNING indicates a hazardous situation which, if not avoided, could result in death or serious injury.
	CAUTION, used with the safety alert symbol, indicates a hazardous situation which, if not avoided, will result in minor or moderate injury.




## DAMAGE PREVENTION AND INFORMATION MESSAGES

These inform the user of important information and/or instructions that could lead to equipment or other property damage if they are not followed. Each message is preceded by the word “NOTICE”, as in the example below:

**NOTICE:** Equipment and/or property damage may result if these instructions are not followed.

## SYMBOLS

This page depicts and describes symbols that may appear on this product. Read, understand, and follow all instructions on the product before attempting to assemble and operate.

	Safety Alert	Precautions that involve your safety.
	Read & Understand Operator's Manual	To reduce the risk of injury, user must read and understand the operator's manual before using this product.
	Do not connect to the potable water mains.	Product is not intended to be connected to the potable water mains.
IP...	Ingress Protection (IP) Rating	Classifies the degree of protection provided by an enclosure, for electrical equipment.
°F	Degrees Fahrenheit	Temperature
°C	Degrees Celsius	Temperature
lbs	Pounds	Weight
kg	Kilogram	Weight
PSI	Pounds per Square Inch	Pressure
MPa	Megapascal	Pressure
GPM	Gallons per Minute	Flow rate
L/min	Liters per Minute	Flow rate

# IMPORTANT SAFETY INSTRUCTIONS FOR PRESSURE WASHER

**⚠ WARNING:** Risk of injury. Do not direct discharge stream at persons.

**⚠ WARNING:** When using this product basic precautions should always be followed, including the following:

- Read all the instructions before using the product.
- To reduce the risk of injury, close supervision is necessary when a product is used near children.
- Know how to stop the product and bleed pressure quickly. Be thoroughly familiar with the controls.
- Stay alert – watch what you are doing.
- Do not operate the product when fatigued or under the influence of alcohol or drugs.
- Keep operating area clear of all persons.
- Do not use the pressure washer in bad weather conditions, especially when there is a risk of lightning. This decreases the risk of being struck by lightning.
- Do not connect to the potable water mains. Product is not intended to be connected to the potable water mains.
- Do not overreach or stand on unstable support. Keep good footing and balance at all times.
- Follow the maintenance instructions specified in the manual.
- Prevent unintentional starting. Ensure the switch is in the off-position before connecting to battery pack, picking up or carrying the appliance. Carrying the appliance with your finger on the switch or energizing appliance that has the switch on invites accidents.
- Disconnect the battery pack from the appliance before making any adjustments, changing accessories, or storing appliance. Such preventive safety measures reduce the risk of starting the appliance accidentally.
- Recharge only with the charger specified by the manufacturer. A charger that is suitable for one type of battery pack may create a risk of fire when used with another battery pack.

- Use the appliance only with specifically designated battery packs. Use of any other battery packs may create a risk of injury and fire.
- When battery pack is not in use, keep it away from other metal objects, like paper clips, coins, keys, nails, screws or other small metal objects, that can make a connection from one terminal to another. Shorting the battery terminals together may cause burns or a fire.
- Under abusive conditions, liquid may be ejected from the battery; avoid contact. If contact accidentally occurs, flush with water. If liquid contacts eyes, additionally seek medical help. Liquid ejected from the battery may cause irritation or burns.
- Do not use a battery pack or appliance that is damaged or modified. Damaged or modified batteries may exhibit unpredictable behavior resulting in fire, explosion or risk of injury.
- Do not expose a battery pack or appliance to fire or excessive temperature. Exposure to fire or temperature above 265°F (130°C) may cause explosion.
- Follow all charging instructions and do not charge the battery pack or appliance outside of the temperature range specified in the instructions. Charging improperly or at temperatures outside of the specified range may damage the battery and increase the risk of fire.
- Have servicing performed by a qualified repair person using only identical replacement parts. This will ensure that the safety of the product is maintained.
- Do not modify or attempt to repair the appliance or the battery pack (as applicable) except as indicated in the instructions for use and care.
- CAUTION—Risk of Injury—Do Not Direct Discharge Stream At Persons.
- **Use only with the battery packs and chargers listed below:**

BATTERY PACK	CHARGER
BA1400, BA1400-FC, BA2800, BA2800-FC, BA4200, BA4200-FC, BA1400T, BA1400T-FC, BA2242T, BA2242T-FC, BA2800T, BA2800T-FC, BA3360T, BA3360T-FC, BA4200T, BA4200T-FC, BA4480T, BA4480T-FC, BA5600T, BA5600T-FC, BA6720T, BA6720T-FC	CH2100, CH2100-FC, CH3200, CH3200-FC, CH5500, CH5500-FC, CH2800D, CH2800D-FC, CH7000, CH7000-FC, CH7000T, CH7000T-FC

**SAVE THESE INSTRUCTIONS!** Refer to them frequently and use them to instruct others who may use this appliance. If you loan this appliance to someone else, also loan these instructions to them to prevent misuse of the product and possible injury.

## INTRODUCTION

Congratulations on your selection of the 56V Lithium-ion Pressure Washer. It has been designed, engineered and manufactured to give you the best possible dependability and performance.


Should you experience any problem you cannot easily remedy, please contact EGO customer service center 1-855-EGO-5656.

This manual contains important information on to the safe assembly, operation and maintenance of your product. Read it carefully before using the product. Keep this manual handy so you can refer to it at any time.

SERIAL NUMBER \_\_\_\_\_ DATE OF PURCHASE \_\_\_\_\_

YOU SHOULD RECORD BOTH SERIAL NUMBER AND DATE OF PURCHASE AND KEEP IN A SAFE PLACE FOR FUTURE REFERENCE.

## SPECIFICATIONS

Voltage	56 V 
Maximum Rated Pressure	2100 PSI (14.5 MPa)
Maximum Rated Flow (with stainless steel wand connected)	1.2 GPM (4.5 L/min)
Maximum Rated Flow (with only short pressure gun connected)	1.3 GPM (5.0 L/min)
Ingress Protection Rating	IPX5* (Protection from water jets)
Recommended Operating Temperature	41°F – 104°F (5°C – 40°C)
Recommended Storage Temperature	-4°F – 158°F (-20°C – 70°C)
Weight (without battery pack)	20.4 lbs. (9.26 kg)

\* **NOTE:** IPX5 rating is valid when the battery compartment is properly closed.



## ACCESSORIES

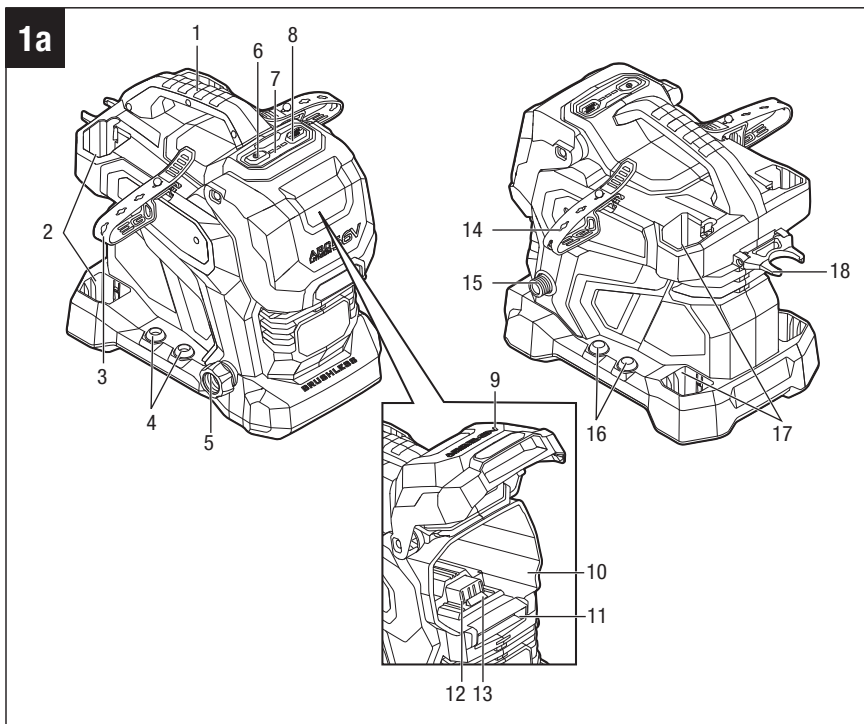
**⚠ WARNING:** Use only identical accessories listed below. Use of accessories that do not meet the original equipment specifications may lead to improper performance and compromised safety.

PART NAME	MODEL NUMBER
Nozzle Kit (Includes one of each: Turbo nozzle, 15° nozzle, 25° nozzle, 40° nozzle, Rinse nozzle)	ANK2100
Premium Brass Foam Cannon	AFC3200

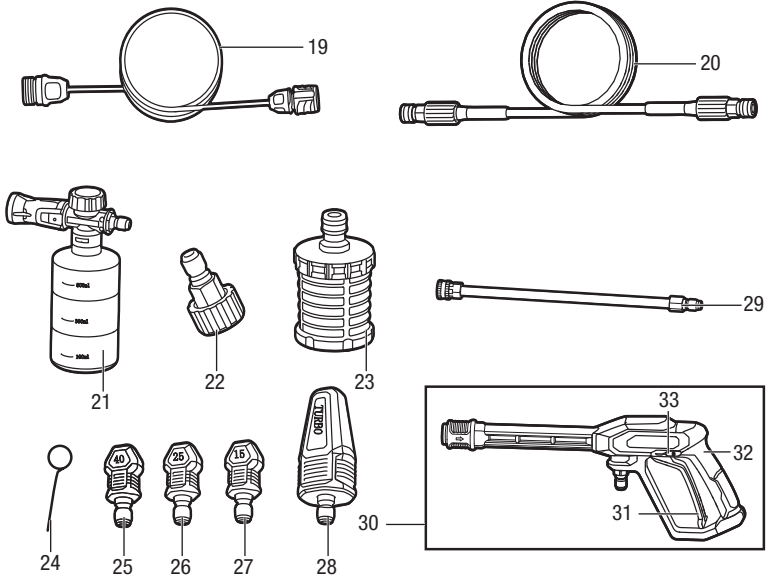
For more information about the latest accessories, please visit:  
[www.egopowerplus.com](http://www.egopowerplus.com).

## DESCRIPTION

### KNOW YOUR PRESSURE WASHER (Fig. 1)



- |                              |                            |
|------------------------------|----------------------------|
| 1. Handle                    | 11. Battery-Release Button |
| 2. Gun Holder Bracket        | 12. Electric Contacts      |
| 3. Hose Holder Strap         | 13. Ejection Mechanism     |
| 4. Nozzles Storage           | 14. Hose Holder Strap      |
| 5. Water Inlet Port          | 15. Water Outlet Port      |
| 6. Power Button              | 16. Nozzles Storage        |
| 7. Speed Indicator           | 17. Wand Holder Bracket    |
| 8. Speed Button              | 18. Foam Cannon Storage    |
| 9. Battery Compartment Cover |                            |
| 10. Battery Compartment      |                            |

**1b**


- |  |                          |
|--|--------------------------|
| 19. Siphon Hose  | 27. 15° Nozzle           |
| 20. High-Pressure Hose<br>(with quick-coupler collars) | 28. Turbo Nozzle         |
| 21. Foam Cannon  | 29. Stainless Steel Wand |
| 22. Quick-coupler Joint                                | 30. Short Pressure Gun   |
| 23. Filter   | 31. Trigger              |
| 24. Nozzle Cleaning Needle                             | 32. Gun Handle           |
| 25. 40° Nozzle   | 33. Lock-off Button      |
| 26. 25° Nozzle   |                          |

**⚠ WARNING:** The safe use of this product requires an understanding of the information on the product and in this instruction manual, as well as knowledge of the project you are attempting. Before use of this product, familiarize yourself with all operating features and safety rules.

### **Water Inlet Port**

With connected siphon hose, this port is used for water inflow.

### **Water Outlet Port**

With connected pressure hose, this port is used for water outflow.

### **Siphon Hose**

Provides path for water inflow.

### **High-Pressure Hose**

Provides path for water outflow.

### **Hose Holder Straps**

Secure the pressure hose and siphon hose during storage.

### **Short Pressure Gun**

Hold the gun to spray out water. Provides high flow and low pressure for rinsing applications.

### **Gun/Wand Holder Brackets**

Provide support for the short pressure gun and stainless steel wand when they are not used.

### **Stainless Steel Wand**

Required to connect most of the nozzles.

## **Nozzles**

Used to spray water at various flow rates, angles, and shapes for different applications.

## **Foam Cannon**

Add detergent into the foam cannon to perform deep cleaning. Please follow concentration recommendations for specific foaming detergent.

## **Nozzle Cleaning Needle**

Used to clear the nozzle blockage.

## **Quick-coupler Set (Collar & Joint)**

Factory-installed onto the water outlet port and pressure hose for quick connection/disconnection.

## **Filter**

Filters the water in a bucket before it flows into the siphon hose.

## **Trigger**

Turns the water spraying on and off.

## **Lock-off Button**

Helps to prevent accidental activation of the trigger. Press the unlock side of the button before the trigger can be activated.

## **Battery Pack Compartment**

Accommodates one battery pack.

## **Battery-release Button**

Press to release the battery pack from the pressure washer.



## **OPERATOR PANEL**

### **Power Button**

Powers the pressure washer ON and OFF.

### **Speed Button**

Allows the operator to select the desirable speed.

### **Speed Indicator**

Displays one green light, two green lights, three green lights to indicate the pressure washer running at low, high, or TURBO speed respectively.

## ASSEMBLY

**⚠ WARNING:** If any parts are damaged or missing, do not operate this product until the parts are replaced. Use of this product with damaged or missing parts could result in serious personal injury.

**⚠ WARNING:** Do not attempt to modify this product or create accessories not recommended for use with this product. Any such alteration or modification is misuse and could result in a hazardous condition leading to possible serious personal injury.

**⚠ WARNING:** To prevent accidental starting that could cause serious personal injury, always remove the battery pack(s) from the product when assembling parts.

## UNPACKING

This product requires assembly.

- Carefully remove the product and any accessories from the box. Make sure that all items listed in the “**PACKING LIST**” are included.
- Inspect the product carefully to make sure no breakage or damage occurred during shipping.
- Do not discard the packing material until you have carefully inspected and satisfactorily operated the product.
- If any parts are damaged or missing, please return the product to the place of purchase.



## PACKING LIST

PART NAME		QUANTITY
Pressure Washer Unit		1
High-pressure Hose (with a factory-installed quick-coupler collar on each end)		1
Siphon Hose		1
Short Pressure Gun		1
Stainless Steel Wand		1
Quick-coupler Joint (For the water outlet port)		1
Foam Cannon		1
Filter		1
Nozzle Cleaning Needle		1
Nozzles	15° Nozzle	1
	25° Nozzle	1
	40° Nozzle	1
	Turbo nozzle	1
Operator's Manual		1

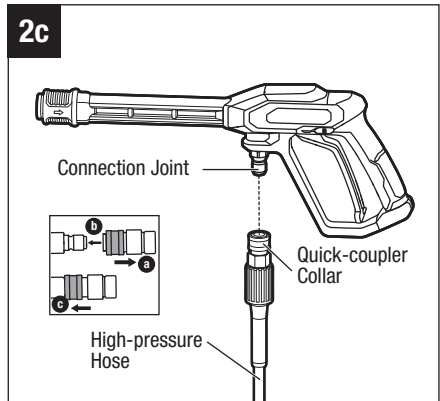
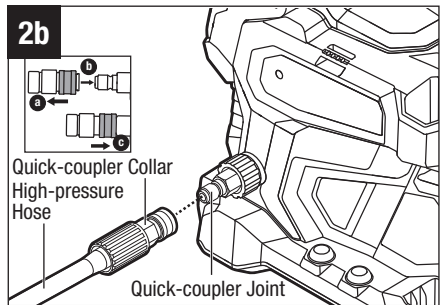
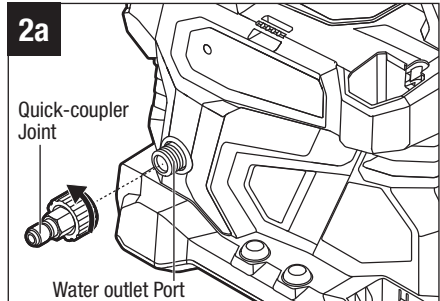


## CONNECTING THE HIGH-PRESSURE HOSE

1. Tightly screw the quick-coupler joint onto the water outlet port (Fig. 2a).
2. Pull back one quick-coupler collar of the high-pressure hose, and then attach it onto the quick-coupler joint of the water outlet port until you hear a “click” (Fig. 2b).

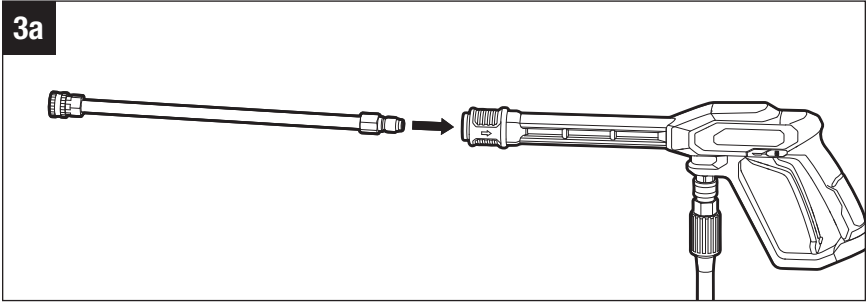
**NOTE:** The quick-coupler collar could be screwed off the high-pressure hose, so that the high-pressure hose connects with the water outlet port directly through thread joints.

3. Pull back the other quick-coupler collar of the high-pressure hose, and then attach it onto the connection joint of the gun until you hear a “click” (Fig. 2c).

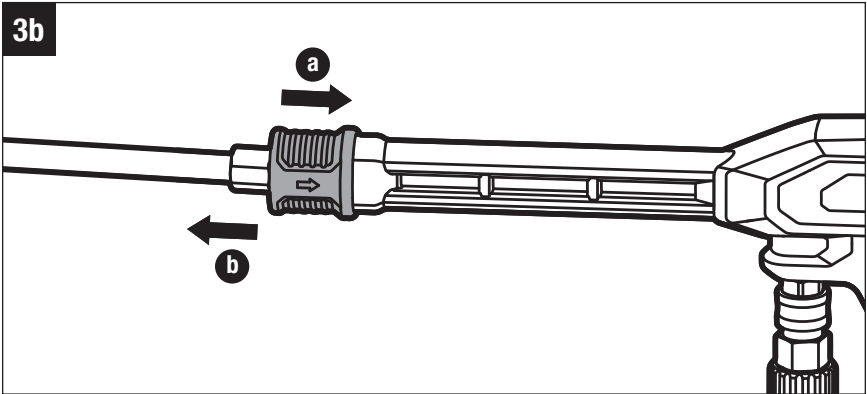


## CONNECTING STAINLESS STEEL WAND TO GUN

Insert the connection joint of the wand into the quick-coupler of the gun until you hear a “click”. The outer ring of the quick-coupler will move forward automatically, which indicates the connection is established properly (Fig. 3a).



To disconnect, pull back the outer ring of the quick-coupler of the gun to pull out the wand (Fig. 3b).



**⚠ WARNING:** Always hold the gun with one hand and the wand with the other hand when disconnecting the wand from the gun. Personal injury may result if the wand falls.

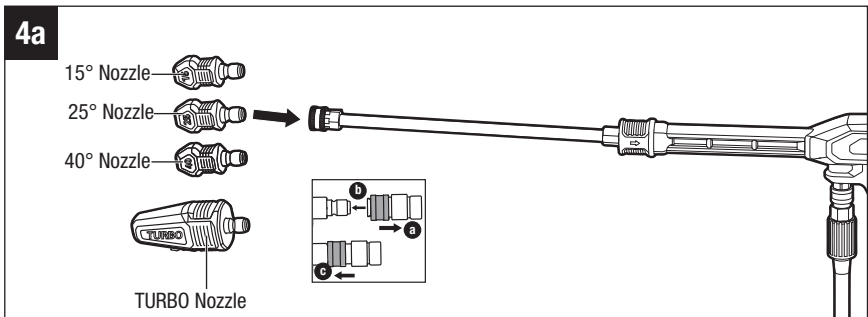
## CONNECTING A NOZZLE

**NOTICE:** Only use the nozzles specified for the pressure washer. Otherwise, the pressure washer may be damaged.

- Choose the 15° nozzle, 25° nozzle, 40° nozzle, or Turbo nozzle to install onto the wand (Fig. 4a).

**To connect,** pull back the collar of the quick-coupler end of the wand, and then insert the nozzle until you hear a “click”.

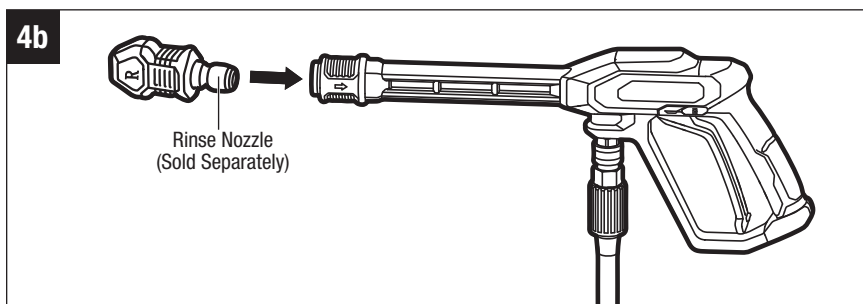
**To disconnect,** pull back the collar of the quick-coupler, and then pull out the nozzle.



- The rinse nozzle is connected to the gun directly (Fig. 4b).

**To connect**, insert the rinse nozzle into the outer ring of the quick-coupler end of the gun until you hear a “click”. The outer ring of the quick-coupler will move forward automatically, which indicates the connection is established. Tug on the nozzle to make sure it is securely attached.

**To disconnect**, pull back the outer ring of the quick-coupler, and then pull out the rinse nozzle.



Use the table below to pick the right nozzle for the job.

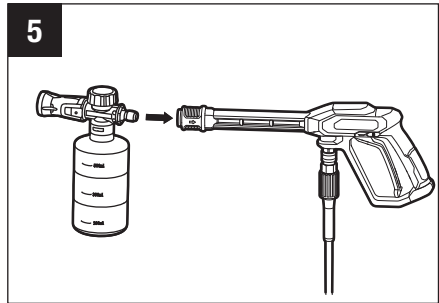
NOZZLE SELECTION	APPLICATIONS
Yellow 15° Nozzle	Clean small metal, concrete, or wood surfaces.
Green 25° Nozzle	Clean larger metal, concrete, or wood surfaces.
White 40° Nozzle	Clean wide metal, concrete, wood, or vinyl surfaces.
Gray Rinse Nozzle (Sold Separately)	Rinse vehicles. Rinse the detergent off of metal, concrete, wood, or vinyl.
Turbo Nozzle	Clean hard surfaces only. To prevent surface damage, do not use on cars and wooden surfaces.

## CONNECTING THE FOAM CANNON (Fig. 5)

The foam cannon is connected to the gun directly.

Pull back the outer ring of the quick-coupler end of the gun, and then attach the foam cannon until you hear a “click”. The outer ring of the quick-coupler will move forward automatically, which indicates the connection is established. Tug on the nozzle of the foam cannon to make sure it is securely attached.

**To disconnect**, pull back the outer ring of the quick-coupler, and then pull out the foam cannon.

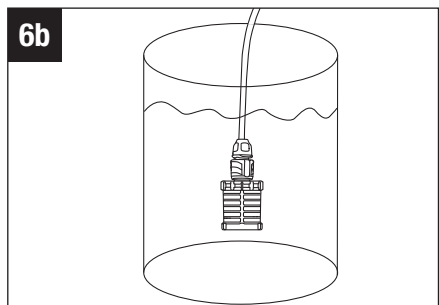
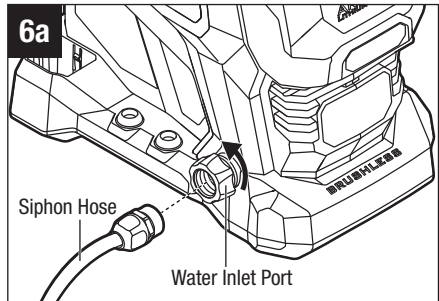


## CONNECTING THE SIPHON HOSE

When using a water bucket (not provided) as a source of water, connect the siphon hose to the pressure washer.

1. Align the threaded end of the siphon hose with the water inlet port and tighten them securely by screwing the knob of the water inlet port (Fig. 6a).
2. Attach the filter to the quick-coupler of the siphon hose and then immerse the filter and the quick-coupler fully into the water (Fig. 6b).

**NOTE: It is recommended to fully fill the bucket with water BEFORE inserting the filter and the quick-coupler. This way the filter and the quick-coupler will properly immerse. They may float if inserted into the empty bucket prior to filling it with water.**



## CONNECTING TO THE GARDEN HOSE (NOT PROVIDED)

When using water faucet (not provided) as a source of water, connect the pressure washer to a garden hose (not provided).

**IMPORTANT:** Always observe all local regulations when connecting hoses to the water main. Some areas have restrictions against connecting directly to public drinking water supply to prevent the feedback of chemicals into the drinking water supply. Direct connection through a receiver tank or backflow preventer is usually permitted.

The water supply must come from a water main. NEVER use hot water or water from pools, lakes, etc.

Before connecting the garden hose to the pressure washer:

- Run water through the hose for 30 seconds to clean any debris from the hose.
- Inspect the metal mesh in the water inlet port. If the metal mesh is damaged, do not use the machine until the metal mesh has been replaced. If the metal mesh is dirty, clean it.
- Completely uncoil the garden hose or remove it completely from reel to prevent kinks.

**NOTE:** There must be enough length of unrestricted hose between the water inlet port and the hose faucet or shut off valve (such as a “Y” shut off connector).

- With the hose faucet turned completely off, attach the end of the garden hose to the washer.

## OPERATION

**⚠ WARNING:** Do not allow familiarity with this product to make you careless. Remember that a careless fraction of a second is sufficient to inflict serious injury.

**⚠ WARNING:** Do not use any attachments or accessories not recommended by the manufacturer of this product. The use of attachments or accessories not recommended can result in serious personal injury.

**⚠ WARNING:** To prevent serious personal injury, remove the battery pack from the product before servicing, cleaning, changing attachments, or removing material from the product.

## APPLICATION

You may use this product for the purposes listed below:

- Cleaning dirt on automobiles, walls, floors, etc.

## INSTALLING/REMOVING BATTERY PACK (Fig. 7)

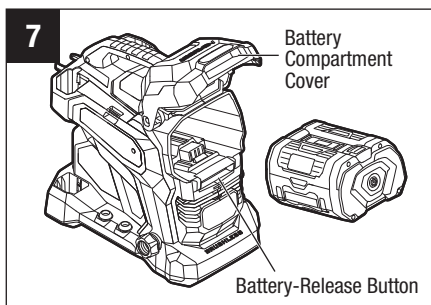
### Charge the battery pack before first use!

**NOTE:** For best performance, we strongly recommend use of a fully charged battery pack.

1. The battery compartment cover is hinged. Raise the cover by lifting the front of the cover.
2. Align the grooves in the battery pack with the raised ribs in the battery compartment, and then insert the battery pack into the compartment.
3. Push the battery pack until you hear a “click”. The battery-release button will spring up when the battery pack is securely attached.

**NOTICE:** Make sure that the latch in the battery compartment snaps into place and that the battery pack is secured to the unit before starting operation.

4. **To detach the battery pack**, pull up the battery-release button to release the battery pack, and then lift it out of the compartment.



5. Close the battery compartment cover.

**⚠ WARNING:** Always remove the battery pack when the pressure washer is not in use.

## **STARTING/STOPPING THE PRESSURE WASHER (Fig. 8)**

### **To Start the Pressure Washer**

**NOTICE:** Do not start the pressure washer without water supply connected and turned on. This may damage the high-pressure seals and decrease pump life.

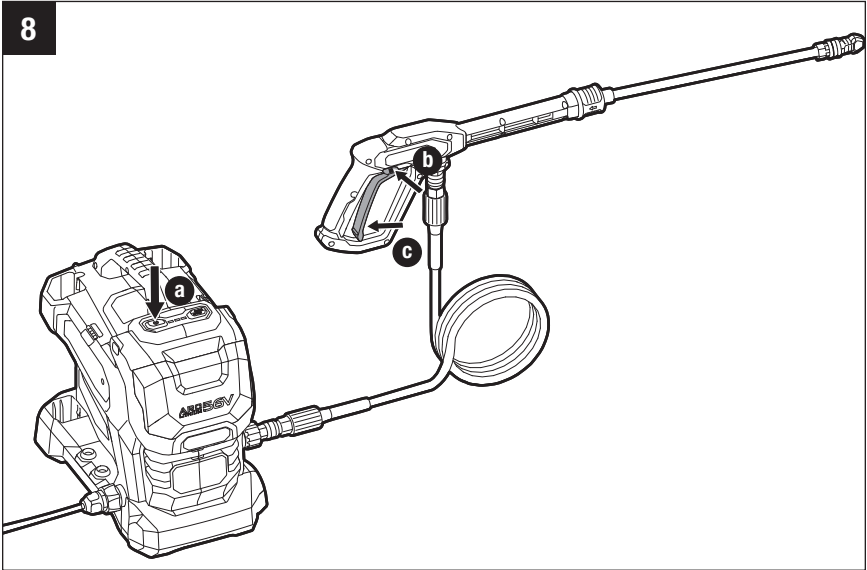
1. Ensure that the siphon hose, high-pressure hose, gun, nozzle are connected properly.
2. Connect wand, foam cannon, filter according to your needs.
3. Choose one of below water supply ways:
  - When using a garden hose (not provided), connect the pressure washer to the garden hose and then open the water faucet.
  - When using a water bucket, connect the filter to the siphon hose and then immerse the filter and the quick-coupler joint fully into the water bucket.
4. Install the battery pack into the pressure washer.
5. Press the power button to power on the pressure washer.

**NOTE:** When the pressure washer is powered on but with no further actions, the washer will turn off automatically after 5 minutes of standby. During the first several minutes of standby, the speed indicator on the pressure washer will flash three green lights, which indicates there is no water flowing into the siphon hose.

6. Hold the gun with both hands, press the unlock side of the lock-off button and then squeeze the trigger until a steady water flow is produced.
7. Start spray washing.



8



**NOTE:** It may take some time for the water to travel from the source and come out of the nozzle as a steady spray. To achieve a steady water flow quickly, you may want to:

- a. Remove the nozzle.
- b. Press the trigger and wait until a steady water stream starts coming out of the wand.
- c. Release the trigger and re-install the nozzle.

**⚠ WARNING:** Car tires and/or tire valves may only be cleaned from a minimum distance of 11-3/4" (30 cm) in order to avoid damages by the high-pressure jet. The first indication of damage is the discoloration of the tire. Damaged car tires or tire valves present a risk of injury.

## To Stop the Pressure Washer

1. Once the washing is completed, release the trigger and press the lock-off button to lock position.
2. Press the power button to power down the pressure washer.
3. Close the water faucet or remove the siphon hose from the water bucket.
4. Press the lock-off button of the gun to the unlock position and squeeze the trigger to empty the water from the hoses.

**NOTICE:** The gun, hoses, wands, nozzles, or foam cannon should not be disconnected for as long as the water remains in the hoses.

5. Disconnect and remove the gun, hoses, wand, nozzles, or foam cannon.
6. Press the power button to power on the pressure washer to empty the water in the pressure washer.
7. Press the power button again to power down the pressure washer.
8. Remove the battery pack.

## SPEED SELECTION

- The speed of the pressure washer could be adjusted by the speed button on the washer.
- The speed of the pressure washer could be adjusted when the washer is powered on or during spraying.
- Every time the speed button is pressed, the speed will toggle among low level, high level and TURBO level. The speed indicator displays one green light, two green lights, or three green lights to indicate the pressure washer running at low speed, high speed, or TURBO speed, respectively.

**NOTICE:** If the pressure washer keeps operating at TURBO speed, the runtime per charge may be affected.

## CLEANING WITH DETERGENT

**⚠ WARNING:** Only use detergents specifically made for use with pressure washers. Comply with the application, disposal, and safety instructions of the detergent manufacturer.

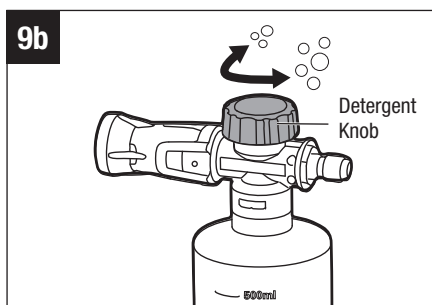
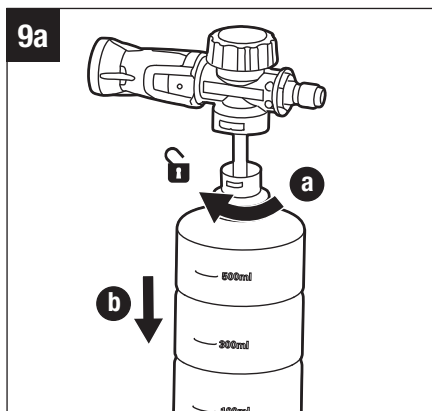
1. Turn the bottle of the foam cannon counterclockwise and remove it (Fig. 9a).
2. Pour detergent into the bottle.

**NOTICE:** The temperature of the detergent should not exceed 140 °F (60 °C).

3. Replace the foam cannon and connect it to the quick-coupler of the gun.
4. Rotate the detergent knob to adjust the amount of detergent added to the water flow according to your needs (Fig. 9b).

5. Open the water faucet or immerse the siphon hose filter and quick-coupler joint fully into the water bucket, start the pressure washer and spray the detergent on a dry surface using long, even, overlapping strokes. To prevent streaking, do not allow detergent to dry on the surface.

**NOTE:** It is recommended to select low speed for gentle cleaning.



## MAINTENANCE

**⚠ WARNING:** To prevent serious personal injury, remove the battery pack from the product before servicing, cleaning, changing attachments, or removing material from the unit.

**⚠ WARNING:** When servicing, use only identical replacement parts. Use of any parts that do not meet the original equipment specifications may create a hazard or cause product damage. To ensure safety and reliability, all repairs should be performed by a qualified service technician.

**NOTICE:** Periodically inspect the entire product for damaged, missing, or loose parts such as screws, nuts, bolts, caps, etc. Tighten securely all fasteners and caps and do not operate this product until all missing or damaged parts are replaced.

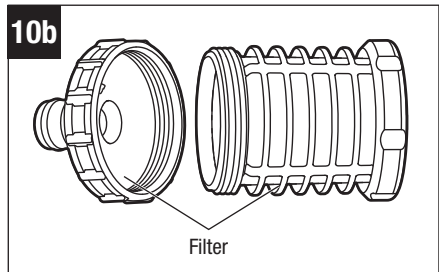
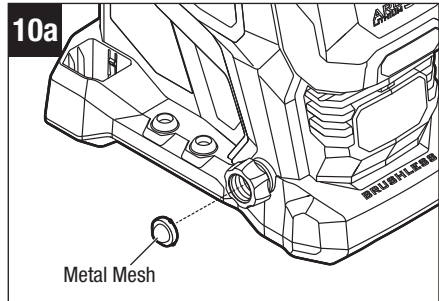
### GENERAL MAINTENANCE

Avoid using solvents when cleaning plastic parts. Most plastics are susceptible to damage from various types of commercial solvents and may be damaged by their use. Use clean cloth to remove dirt, dust, oil, grease, etc.

**⚠ WARNING:** Do not at any time let brake fluids, gasoline, petroleum-based products, penetrating oils, etc., come in contact with plastic parts. Chemicals can damage, weaken or destroy plastic which may result in serious personal injury.

## CLEANING THE FILTERS

- Take out the metal mesh from the water inlet port, rinse the metal mesh or replace it if necessary (Fig. 10a).
- When using a water bucket as the water source for the pressure washer, check and clean the filter periodically. Remove the filter from the quick-coupler of the siphon hose, screw out the filter, and then rinse it thoroughly (Fig. 10b).



## CLEANING THE NOZZLES (Fig. 11)

When the holes of the nozzles are blocked, you may use the provided nozzle cleaning needle to pass through the holes and remove blockage.

## TRANSPORTING AND STORAGE

**⚠ WARNING:** During transportation or storage, protect the washer from impact. Check and make sure the washer is not damaged before using it. To maintain safety and reliability, please contact EGO customer service to make sure all repairs are performed by a qualified service technician.

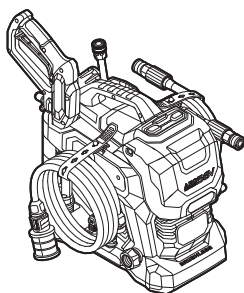
### Storing the Pressure Washer (Fig. 12a & Fig. 12b)

1. Stop the pressure washer, release pressure, empty water, and remove the battery pack from the pressure washer following the instructions in the section “**To Stop the Pressure Washer**”.
2. Store nozzles in the nozzle storage area of the pressure washer.
3. Store the gun and wand in the holder brackets.
4. Roll up the high-pressure hose and siphon hose, store and secure them on the washer using the hose holder straps.
5. Clean the pressure washer thoroughly before storing it.
6. Store the pressure washer in a dry, well-ventilated area, locked-up or up high, out of the reach of children. Do not store the pressure washer on or adjacent to fertilizers, gasoline, or other chemicals.

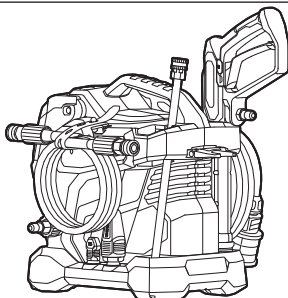
11



12a



12b



## WINTERIZING THE PRESSURE WASHER

Winterizing a pressure washer is essential to protect from freezing temperatures, which can cause damage to the pump, hoses, and other components.

1. **Turn off the pressure washer.** Make sure the pressure washer is turned off and the battery pack is removed.
2. **Release pressure.** Squeeze the trigger on the gun to release any remaining pressure in the system. This could prevent the pressure build-up during the winterization process.
3. **Disconnect hoses and accessories.** Remove all hoses, gun, and other accessories from the pressure washer. Drain any water from the hoses by holding them in a vertical position allowing the water to drain out.
4. **Connect a pressure washer pump protector (sold separately) to the water inlet port for treatment.**
5. **Use a pressure washer pump protector and dispense the liquid.** Once the liquid exits the water outlet port, your pressure washer is protected and winterized.

## TROUBLESHOOTING

PROBLEM	CAUSE	SOLUTION
The pressure washer fails to be powered on.	<ul style="list-style-type: none"> <li>■ Battery pack charge is low.</li> <li>■ Battery pack is not installed properly.</li> </ul>	<ul style="list-style-type: none"> <li>■ Charge the battery pack.</li> <li>■ Slide the battery pack into the battery compartment until it snaps into position.</li> </ul>
The pressure washer pump stops working and the speed indicator on the washer flashes three green lights.	<ul style="list-style-type: none"> <li>■ The pressure washer or the battery pack is too hot.</li> <li>■ No water flows into the siphon hose.</li> <li>■ Battery pack charge is low.</li> <li>■ Other electronic fault(s).</li> </ul>	<ul style="list-style-type: none"> <li>■ Wait until the pressure washer or battery pack returns to the recommended operating temperature and then restart the washer.</li> <li>■ Check and ensure there is water flowing into the siphon hose properly.</li> <li>■ Charge the battery pack.</li> <li>■ Contact EGO customer service.</li> </ul>
The water flow is low during spraying.	<ul style="list-style-type: none"> <li>■ The filter is blocked partially.</li> <li>■ The metal mesh in the water inlet port is blocked partially.</li> <li>■ The filter and quick-coupler joint of the siphon hose is not fully immersed into water.</li> <li>■ The siphon hose is folded.</li> <li>■ Water is dirty.</li> <li>■ The high-pressure hose is blocked.</li> </ul>	<ul style="list-style-type: none"> <li>■ Clean the filter.</li> <li>■ Remove and clean the metal mesh.</li> <li>■ Fully immerse the filter and quick-coupler joint into water.</li> <li>■ Unfold the siphon hose or replace it.</li> <li>■ Use only clean water.</li> <li>■ Remove the nozzle, and then start water spraying from the hose to clear the blockage of the hose.</li> </ul>



PROBLEM	CAUSE	SOLUTION
<p>There's no water spraying out.</p>	<ul style="list-style-type: none"> <li>■ There is no water supply.</li> <li>■ The filter is blocked completely.</li> <li>■ The metal mesh in the water inlet port is block completely.</li> <li>■ The metal mesh in the water inlet port is missing.</li> <li>■ The nozzle is blocked.</li> <li>■ Pump, hoses, or other components are frozen.</li> </ul>	<ul style="list-style-type: none"> <li>■ Check and ensure the washer is connected to the water supply properly.</li> <li>■ Clean the filter.</li> <li>■ Remove and clean the metal mesh.</li> <li>■ Check and make sure the metal mesh is installed in the water inlet port properly (see Fig. 15a).</li> <li>■ Use the nozzle cleaning needle to pass through the holes.</li> <li>■ Wait until they are thawed.</li> </ul>
<p>The water flow is not stable.</p>	<ul style="list-style-type: none"> <li>■ Air flows into the washer.</li> <li>■ Pump seals are worn.</li> </ul>	<ul style="list-style-type: none"> <li>■ Check and ensure the siphon hose is connected properly.</li> <li>■ Contact EGO customer service.</li> </ul>
<p>The water spraying starts or stops automatically.</p>	<ul style="list-style-type: none"> <li>■ The nozzle is blocked.</li> <li>■ The high-pressure hose is damaged.</li> <li>■ There's water leakage from the gun.</li> <li>■ Pump seals, hose seals are worn.</li> </ul>	<ul style="list-style-type: none"> <li>■ Use the nozzle cleaning needle to pass through the holes.</li> <li>■ Replace with new high-pressure hose.</li> <li>■ Contact EGO customer service.</li> </ul>

<b>PROBLEM</b>	<b>CAUSE</b>	<b>SOLUTION</b>
The water spraying is not in a spiral format when using Turbo nozzle.	<ul style="list-style-type: none"><li>■ The Turbo nozzle is blocked partially.</li></ul>	<ul style="list-style-type: none"><li>■ Depress and release the trigger on gun to start and stop spraying for couple times. If the problem is not solved, contact EGO customer service.</li></ul>



# EGO LIMITED WARRANTY

## WARRANTY POLICY TERMS AND DURATION

Chervon North America, Inc. (“Chervon North America”) provides the following Limited Warranty for EGO products to the original purchaser of EGO products.

The detailed warranty period for each EGO product can be found online at <http://egopowerplus.com/warranty-policy>.

**Please contact EGO Customer Service Toll-Free at 1-855-EGO-5656** any time you have questions or warranty claims.

## LIMITED SERVICE WARRANTY

EGO products are warranted against defects in material or workmanship from the date of original retail purchase for the applicable warranty period. For any properly and timely submitted warranty claim, if Chervon North America determines a product to be defective during the warranty period, the product will receive free repair or replacement as determined by Chervon North America.

## HOW TO OBTAIN SERVICE

For warranty service, within the applicable warranty period, please contact EGO customer service toll-free at **1-855-EGO-5656**. When requesting warranty service, you must present the original dated sales receipt. An authorized service center will be selected to evaluate and repair the product if defective according to the stated warranty terms. When bringing your product to the authorized service center, there may be a small deposit that will be required when dropping off your tool. This deposit is refundable when the repair service is deemed to be covered under warranty. The purchaser is responsible for transportation of any outdoor power equipment or attachments at their expense.



## ADDITIONAL LIMITATIONS & EXCLUSIONS

This limited warranty applies only to the original purchaser from an authorized EGO retailer and is not transferable. EGO products shall not be considered defective, and this warranty will not apply, where the claimed defect is attributable to any cause other than the above-defined defects. This warranty shall be void if the product has been used for rental purposes. This warranty shall not apply to damage caused by accident, abuse, misuse, alteration, modification, unauthorized repair, liquid contact, fire, earthquake or other external cause; operating the product outside EGO's instructions, specifications or guidelines; or failure to properly service or maintain the product. This warranty also does not apply to cosmetic damage, including but not limited to scratches or dents; defects caused by normal wear and tear or otherwise due to the normal aging of the product.

THIS EXPRESS WARRANTY IS GIVEN IN LIEU OF ALL OTHER WARRANTIES, EXPRESS OR IMPLIED, INCLUDING, BUT NOT LIMITED TO, ANY WARRANTIES OF MERCHANTABILITY OR FITNESS FOR PARTICULAR PURPOSE OR USE, WHICH ARE DISCLAIMED. Any implied warranties, including warranties of merchantability or fitness for a particular purpose, that cannot be disclaimed under state law are limited to the applicable warranty period defined at the beginning of this article. The sole and exclusive remedy in connection with the purchase, installation, use, and/or performance of the EGO products is repair or replacement of the product as determined by Chervon North America. Chervon North America's maximum liability shall not in any case exceed the purchase price paid for the product. CHERVON NORTH AMERICA SHALL NOT BE LIABLE TO THE USER OR TO ANYONE ELSE FOR CONSEQUENTIAL, INCIDENTAL, SPECIAL, EXEMPLARY, INDIRECT, OR PUNITIVE DAMAGES ARISING FROM USE OF THE PRODUCTS, INCLUDING BUT NOT LIMITED TO PERSONAL INJURY, DEATH, PROPERTY DAMAGE, LOST PROFITS, OR OTHER ECONOMIC INJURY. This warranty gives you specific legal rights, and you may also have other rights which vary from state to state. Some states do not allow limitations on how long an implied warranty lasts, the exclusion or limitation of incidental or consequential damages, or the limitations on time to bring certain actions, so such limitations contained herein do not apply to individual consumers in those states.

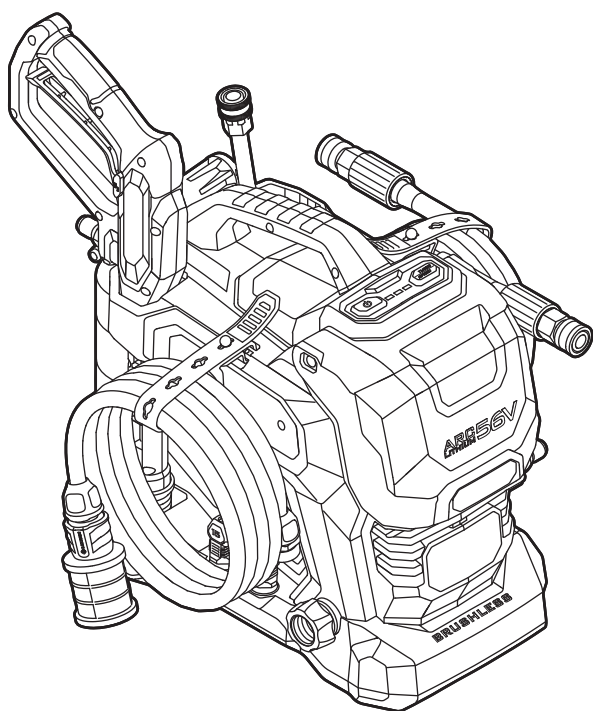
This warranty is subject to and shall be interpreted according to Michigan law without regard to principles of conflicts of laws. No legal action shall be brought against Chervon North America unless filed within one (1) year after the basis for such legal action becomes known, or with the exercise of reasonable diligence should have become known. Any action not timely filed shall be deemed waived.

For customer service contact us toll-free at: **1-855-EGO-5656** or **EGOPOWERPLUS.COM**.

EGO Customer Service  
769 Seward Ave. NW, Suite 102  
Grand Rapids, Michigan 49504.

# EGO™

POWER+ CLEANING™



MANUAL DEL USUARIO

## LAVEUSE À HAUTE PRESSION À PILES AU LITHIUM-ION DE 56 VOLTS

NÚMERO DE MODELO HPW2100/HPW2100-FC

**⚠ AVERTISSEMENT:** Afin de réduire les risques de blessure, l'utilisateur doit lire et comprendre le guide d'utilisation avant d'utiliser ce produit. Conservez le présent mode d'emploi afin de pouvoir le consulter ultérieurement.

# LISEZ TOUTES LES INSTRUCTIONS!



LISEZ LE MODE D'EMPLOI ET  
ASSUREZ-VOUS QUE VOUS LE COMPRENEZ

## TABLE DES MATIÈRES


Symboles de sécurité .....	39-40
Symboles .....	41
Consignes de sécurité importantes pour le nettoyeur à haute pression .....	42-44
Introduction .....	45
Caractéristiques techniques .....	46
Accessoire .....	46
Description .....	47-51
Assemblage .....	52-59
Fonctionnement .....	60-64
Maintenance .....	65-68
Recherche de la cause des problèmes .....	69-72
Garantie limitée EGO .....	73-75

# SYMBOLES DE SÉCURITÉ

L'objectif des symboles de sécurité est d'attirer votre attention sur les dangers potentiels. Vous devez examiner attentivement et bien comprendre les symboles de sécurité et les explications qui les accompagnent. Les symboles d'avertissement en tant que tels n'éliminent pas le danger. Les consignes et les avertissements qui y sont associés ne remplacent en aucun cas les mesures préventives adéquates.

**⚠ AVERTISSEMENT:** Assurez-vous de lire et de comprendre toutes les consignes de sécurité présentées dans le présent mode d'emploi, notamment toutes les consignes de sécurité indiquées par « **DANGER** », « **AVERTISSEMENT** » et « **MISE EN GARDE** ». Le non-respect des consignes de sécurité ci-dessous peut occasionner une décharge électrique, un incendie ou des blessures graves.

Les définitions ci-dessous décrivent le niveau de gravité pour chaque terme signalant un danger. Veuillez lire le mode d'emploi et regarder la signification de ces symboles

	<p>C'est le symbole d'alerte relatif à la sécurité. Il est utilisé pour vous avertir de l'existence possible d'un danger de lésion corporelle. Obéissez à tous les messages relatifs à la sécurité qui suivent ce symbole pour éviter tout risque de blessure ou même de mort.</p>
	<p>DANGER indique une situation dangereuse qui, si elle n'est pas évitée, causera la mort d'une personne ou une blessure grave.</p>
	<p>AVERTISSEMENT indique une situation dangereuse qui, si elle n'est pas évitée, pourrait causer la mort d'une personne ou une blessure grave.</p>
	<p>MISE EN GARDE, conjointement avec le symbole d'alerte en liaison avec la sécurité, indique une situation dangereuse qui, si elle n'est pas évitée, causera une blessure légère ou modérée.</p>

## MESSAGES D'INFORMATION ET DE PRÉVENTION DES DOMMAGES

Ils informent l'utilisateur d'informations et/ou d'instructions importantes qui pourraient entraîner des dommages matériels ou aux équipements s'ils ne sont pas suivis. Chaque message est précédé par le terme « AVIS », comme dans l'exemple ci-dessous :

**AVIS :** Un dommage matériel et/ou aux équipements peut survenir si ces instructions ne sont pas suivies.



## SYMBOLES

Cette page représente et décrit les symboles qui peuvent figurer sur ce produit. Lisez toutes les instructions figurant sur le produit avant de l'assembler et de commencer à l'utiliser, assurez-vous que vous les comprenez, et suivez-les.

	Alerte de sécurité	Précautions en liaison avec votre sécurité.
	Lisez le mode d'emploi, et assurez-vous que vous le comprenez.	Pour réduire le risque de blessure, l'utilisateur doit lire le mode d'emploi et s'assurer qu'il le comprend avant de commencer à utiliser ce produit.
	Ne raccordez pas cet équipement à une source d'alimentation en eau potable.	Le produit n'est pas conçu pour être raccordé à une source d'alimentation en eau potable.
IP...	Indice de protection pour la pénétration (PP)	Le produit n'est pas conçu pour être raccordé à une source d'alimentation en eau potable.
°F	Degrés Fahrenheit	Température
°C	Degrés Celsius	Température
lbs	lb	Poids
kg	Kilogramme	Poids
PSI	Livres par pouce carré	Pression
MPa	Mégapascal	Pression
GPM	Gallons par minute	Débit
L/min	Litres/minute	Débit

# CONSIGNES DE SÉCURITÉ IMPORTANTES POUR LE NETTOYEUR À HAUTE PRESSION

**⚠ AVERTISSEMENT:** Risque de blessure. Ne dirigez pas le flux de décharge vers les personnes se trouvant à proximité.

**⚠ AVERTISSEMENT:** Des précautions élémentaires doivent toujours être prises lors de l'utilisation de ce produit, notamment les précautions suivantes :

- Lisez toutes les instructions avant de commencer à utiliser ce produit.
- Pour réduire le risque de blessure, une supervision attentive est nécessaire lorsqu'un produit est utilisé à proximité d'enfants.
- Apprenez comment arrêter le produit et réduire rapidement la pression. Familiarisez-vous avec les commandes.
- Restez alerte – Surveillez attentivement ce que vous êtes en train de faire.
- N'utilisez pas le produit pendant que vous êtes sous l'influence d'alcool ou de drogues, ou lorsque vous êtes fatigué(e).
- Veillez à ce que la zone d'utilisation soit dégagée et qu'il n'y ait personne à proximité.
- N'utilisez pas la laveuse à haute pression si le temps est mauvais, en particulier s'il existe un risque de foudre. Ceci réduit le risque d'être frappé par la foudre.
- Ne raccordez pas cet équipement à une source d'alimentation en eau potable. Le produit n'est pas conçu pour être raccordé à une source d'alimentation en eau potable.
- Ne vous penchez pas trop en avant et ne vous tenez pas sur un support instable. Veillez à toujours garder un bon équilibre et un appui stable.
- Suivez les instructions figurant dans le mode d'emploi pour la maintenance.
- Prévenez une mise en marche accidentelle. Assurez-vous que l'interrupteur est dans la position d'arrêt avant de le connecter au bloc-piles, ou de soulever ou de transporter votre équipement. Le fait de transporter cet équipement avec le doigt sur l'interrupteur ou de le mettre sous tension avec l'interrupteur en position de marche invite les accidents.
- Débranchez le bloc-piles de votre équipement avant d'y apporter de quelconques modifications, de changer des accessoires ou de ranger cet équipement. De telles mesures de sécurité préventives réduisent le risque de démarrage accidentel de l'outil.

- Ne rechargez cet équipement qu'avec le chargeur indiqué par le fabricant. Un chargeur qui est approprié pour un type de bloc-piles pourrait créer un risque d'incendie quand il est utilisé avec un autre bloc-piles.
- Utilisez cet équipement exclusivement avec des blocs-piles conçus spécifiquement pour celui-ci. L'emploi de tout autre bloc-piles risquerait de causer des blessures et un incendie.
- Lorsque le bloc-piles n'est pas utilisé, gardez-le à une distance suffisante des autres objets en métal, comme des trombones, pièces de monnaie, clés, clous, vis ou autres petits objets en métal qui pourraient établir une connexion entre une borne et une autre. Le court-circuitage des bornes d'une pile pourrait causer des brûlures ou un incendie.
- Dans des conditions d'utilisation abusives, du liquide pourrait être éjecté de la pile; évitez tout contact avec ce liquide. En cas de contact accidentel, lavez avec de l'eau. En cas de contact de liquide avec les yeux, consultez un professionnel de santé. Tout liquide éjecté d'une pile peut causer de l'irritation ou des brûlures.
- N'utilisez pas un bloc-piles ou un équipement qui est endommagé ou qui a été modifié. Des piles endommagées ou modifiées peuvent se comporter de façon imprévisible et causer un incendie, une explosion ou des blessures.
- N'exposez pas un bloc-piles ou un équipement électrique à un incendie ou à une température excessive. L'exposition à un feu ou à une température supérieure à 130° C / 265° F pourrait causer une explosion.
- Suivez toutes les instructions relatives à la charge et ne chargez pas le bloc-piles ou l'équipement en dehors de la plage de température indiquée dans les instructions. Une charge dans des conditions appropriées ou à des températures en dehors de la plage spécifiée pourrait endommager les piles et augmenter le risque d'incendie.
- Faites entretenir votre produit par un réparateur compétent n'utilisant que des pièces de rechange identiques. Ceci assurera le maintien de la sécurité du produit.
- Ne modifiez pas et ne tentez pas de réparer cet équipement ou le bloc-piles (suivant le cas), sauf conformément à ce qui est indiqué dans les instructions d'utilisation et dans le mode d'emploi.
- **MISE EN GARDE – Risque de blessure –** Ne dirigez pas le flux de décharge vers des personnes.

- **N'utilisez qu'avec les blocs-piles et les chargeurs indiqués ci-dessous :**

<b>BLOC-PILE</b>	<b>CHARGEUR</b>
BA1400, BA1400-FC, BA2800, BA2800-FC, BA4200, BA4200-FC, BA1400T, BA1400T-FC, BA2242T, BA2242T-FC, BA2800T, BA2800T-FC, BA3360T, BA3360T-FC, BA4200T, BA4200T-FC, BA4480T, BA4480T-FC, BA5600T, BA5600T-FC, BA6720T, BA6720T-FC	CH2100, CH2100-FC, CH3200, CH3200-FC, CH5500, CH5500-FC, CH2800D, CH2800D-FC, CH7000, CH7000-FC, CH7000T, CH7000T-FC

**CONSERVEZ CES INSTRUCTIONS !** Consultez-les fréquemment et utilisez-les pour donner les instructions nécessaires à d'autres personnes qui peuvent utiliser cet appareil. Si vous prêtez cet appareil à quelqu'un d'autre, remettez également ces instructions à la personne à laquelle vous le prêtez pour éviter toute utilisation inappropriée du produit et tout risque de blessure.

## INTRODUCTION

Félicitations pour votre choix de cette laveuse à haute pression au lithium-ion de 56 V. Elle a été conçue, développée et fabriquée pour vous donner le plus possible de fiabilité et de rendement.


Si vous éprouvez un problème que vous n'arrivez pas à régler facilement, veuillez communiquer avec le centre de service à la clientèle d'EGO au 1 855 EGO-5656.

Le présent guide contient des renseignements importants pour assembler, utiliser et entretenir en toute sécurité votre produit. Lisez-le soigneusement avant d'utiliser le produit. Conservez ce guide à portée de main afin de pouvoir le consulter à tout moment.

NUMÉRO DE SÉRIE \_\_\_\_\_ DATE D'ACHAT \_\_\_\_\_

NOUS VOUS RECOMMANDONS DE NOTER LE NUMÉRO DE SÉRIE ET LA DATE D'ACHAT ET DE LES CONSERVER EN LIEU SÛR AFIN DE POUVOIR LES CONSULTER ULTÉRIEUREMENT.

## CARACTÉRISTIQUES TECHNIQUES

Tension	56 V 
Pression nominale maximum	2 100 psi / 14.5 MPa
Débit nominal maximum (avec lance à connexion rapide et rallonge en acier inoxydable connectée)	4,5 l/min / 1,2 GPM
Débit nominal maximum (avec seulement un pistolet à pression courte connecté)	5,0 l/min / 1,3 GPM
Indice de protection contre la pénétration	IPX5* (Protection contre les jets d'eau)
Température de fonctionnement recommandée	5° C – 40° C / 41° F – 104° F
Température de stockage recommandée	-20° C – 70° C / -4° F – 158° F
Poids (sans le bloc-piles)	9.26 kg / 20.4 lb

\* **REMARQUE** : La notation IPX5 est valable lorsque le compartiment des piles est correctement fermé.

## ACCESSOIRES

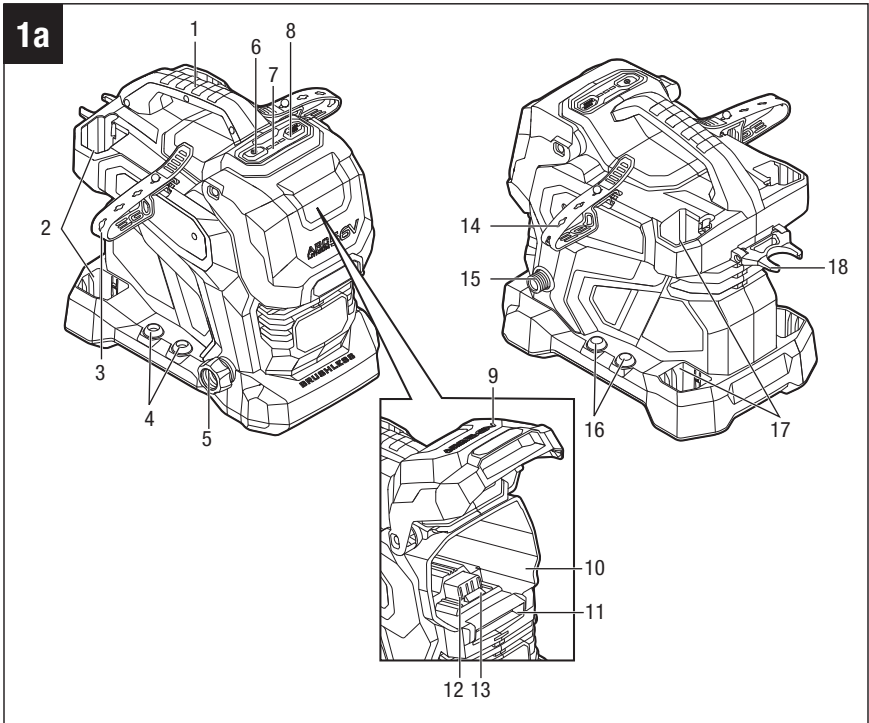
**⚠ AVERTISSEMENT:** Utilisez seulement des accessoires identiques énumérées ci-dessous. L'utilisation d'accessoires qui ne répondent pas aux spécifications des équipements d'origine pourrait causer une performance inadéquate et compromettre la sécurité.

NOM DE LA PIÈCE	NUMÉRO DE MODÈLE
Kit de buses (comprend une buse de chacun des types suivants : buse turbo, buse de 15°, buse de 25°, buse de 40°, buse de rinçage)	ANK2100
Canon à mousse en laiton de première qualité	AFC3200

Pour plus d'informations sur les accessoires les plus récents, veuillez consulter le site : [www.egopowerplus.com](http://www.egopowerplus.com).

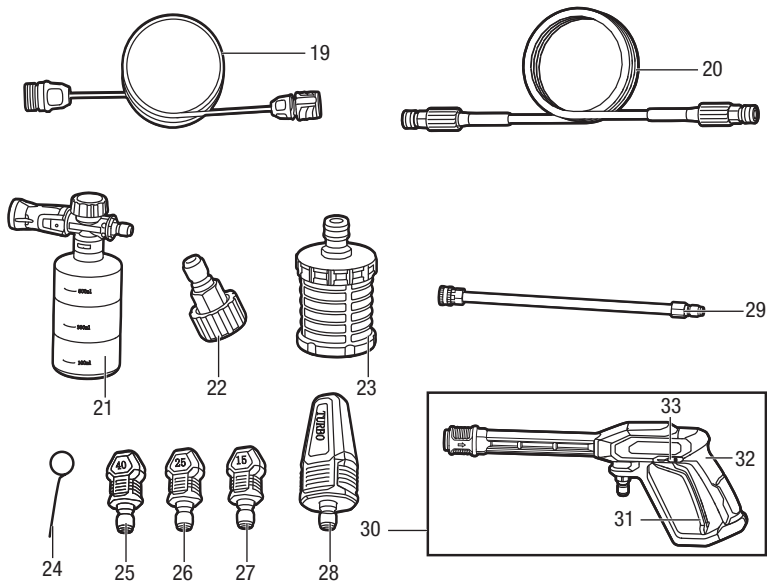
# DESCRIPTION

FAMILIARISEZ-VOUS AVEC VOTRE LAVEUSE À HAUTE PRESSION (Fig. 1)



- |   |   |
|---|---|
| 1. Poignée                                  | 10. Compartiment des piles              |
| 2. Support pour étui à pistolet             | 11. Bouton d'éjection du bloc-piles     |
| 3. Courroie porte-tuyau                     | 12. Contacts électriques                |
| 4. Aire de rangement de buse                | 13. Mécanisme d'éjection                |
| 5. Orifice d'admission d'eau                | 14. Courroie de support du tuyau        |
| 6. Bouton de mise sous tension/hors tension | 15. Orifice de sortie de l'eau          |
| 7. Voyant indicateur de vitesse             | 16. Aire de rangement des buses         |
| 8. Bouton de réglage de la vitesse          | 17. Dispositif de support de tube       |
| 9. Cache du compartiment des piles          | 18. Aire de rangement du canon à mousse |

1b



- |  |   |
|--|---|
| 19. Tuyau-siphon   | 27. Buse à 15°                                    |
| 20. Tuyau flexible à haute pression (avec colliers de coupleur rapide) | 28. Buse turbo                                    |
| 21. Canon à mousse   | 29. Tube de rallonge en acier inoxydable          |
| 22. Joint de coupleur rapide   | 30. Pistolet à haute pression court               |
| 23. Filtre   | 31. Gâchette                                      |
| 24. Aiguille de nettoyage de buse                                      | 32. Poignée de pistolet                           |
| 25. Buse à 40°   | 33. Bouton de verrouillage en position désactivée |
| 26. Buse à 25°   |   |



**⚠ AVERTISSEMENT :** Pour que ce produit puisse être utilisé en toute sécurité, il est nécessaire de comprendre les informations figurant sur le produit et dans son mode d'emploi, et de bien maîtriser le projet que vous voulez réaliser. Avant d'utiliser ce produit, familiarisez-vous avec toutes ses fonctionnalités et les consignes de sécurité qui s'y appliquent.

### **Orifice d'admission d'eau**

Lorsque le tuyau de siphon est raccordé, cet orifice est utilisé pour l'admission d'eau.

### **Orifice de sortie de l'eau**

Lorsque le tuyau de pression est raccordé, cet orifice est utilisé pour la sortie de l'eau.

### **Tuyau de siphon**

Fournit une voie d'entrée de l'eau.

### **Tuyau flexible à haute pression**

Fournit une voie de sortie de l'eau.

### **Courroies de support de tuyaux**

Pour sécuriser le tuyau de pression et le tuyau de siphon pendant le stockage.

### **Pistolet à haute pression court**

Tenez le pistolet pour pulvériser de l'eau. Fournit un débit élevé et une faible pression pour les applications de rinçage.

### **Supports pour les pistolets et les tubes**

Fournissent un support pour le pistolet à haute pression court et le tuyau en acier inoxydable quand ils ne sont pas utilisés.

### **Tube de rallonge en acier inoxydable**

Nécessaire pour raccorder la plupart des buses.

## **Buses**

Utilisées pour pulvériser de l'eau à différents débits et à différents angles, et sous diverses formes pour différentes applications.

## **Canon à mousse**

Ajoutez du détergent dans le canon à mousse pour effectuer un nettoyage en profondeur. Veuillez suivre les recommandations de concentration pour le détergent à mousse spécifique.

## **Aiguille de nettoyage de buse**

Utilisée pour éliminer les obstructions des buses.

## **Jeu de coupleurs rapides (collier et joint)**

Installés en usine sur l'orifice de sortie de l'eau et sur le tuyau de pression pour permettre une connexion/déconnexion rapide.

## **Filtre**

Filtre l'eau dans un seau avant qu'elle ne s'écoule dans le tuyau du siphon.

## **Gâchette**

Ouvre et ferme la projection d'eau.

## **Bouton de verrouillage en position désactivée**

Aide à prévenir une activation accidentelle de la gâchette. Appuyez sur le côté déverrouillé du bouton pour pouvoir activer la gâchette.

## **Compartiment du bloc-piles**

Peut contenir un bloc-piles.

## **Bouton d'éjection du bloc-piles**

Appuyez sur ce bouton pour détacher le bloc-piles du nettoyeur à haute pression.

## **PANNEAU DE L'OPÉRATEUR**

### **Bouton d'activation/de désactivation**

Allume et éteint le nettoyeur à haute pression.

### **Bouton de réglage de la vitesse**

Permet à l'opérateur de sélectionner la vitesse de l'air qu'il désire.

### **Indicateur de vitesse**

Affiche un voyant vert, deux voyants verts, trois voyants verts pour indiquer que le nettoyeur haute pression fonctionne à une vitesse lente, à une vitesse rapide ou à une vitesse TURBO, respectivement.

## ASSEMBLAGE

**⚠ AVERTISSEMENT :** Si certaines pièces sont endommagées ou manquantes, n'utilisez pas ce produit avant que ces pièces aient été remplacées. L'utilisation de ce produit avec des pièces endommagées ou manquantes pourrait causer des blessures graves.

**⚠ AVERTISSEMENT :** Ne tentez pas de modifier ce produit ou de créer des accessoires qu'il n'est pas recommandé d'utiliser avec ce produit. Une telle altération ou modification constituerait une utilisation abusive et pourrait créer une situation dangereuse avec risque de blessures graves.

**⚠ AVERTISSEMENT :** Pour empêcher tout démarrage accidentel qui pourrait causer une blessure grave, retirez toujours le(s) bloc-piles du produit lorsque vous effectuez le montage de pièces.

## DÉBALLAGE

Ce produit nécessite un assemblage.

- Retirez le produit et tous les accessoires de la boîte en prenant les précautions nécessaires. Assurez-vous que tous les articles indiqués sur la « **LISTE DES PIÈCES** » sont inclus.
- Inspectez attentivement le produit pour vous assurer qu'aucun endommagement ou bris de pièce(s) ne s'est produit pendant le transport.
- Ne jetez pas les matériaux d'emballage avant d'avoir inspecté attentivement le produit et de l'avoir mis en marche de façon satisfaisante.
- Si une pièce quelconque est endommagée ou manquante, veuillez rapporter le produit dans le magasin où vous l'avez acheté.

## LISTE DES PIÈCES

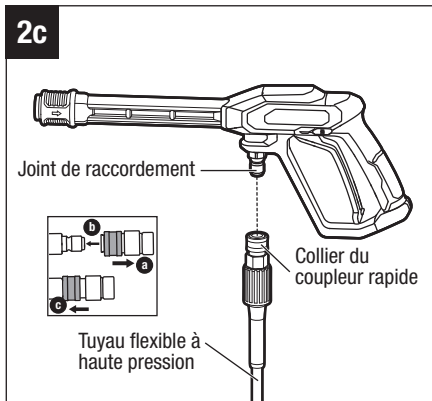
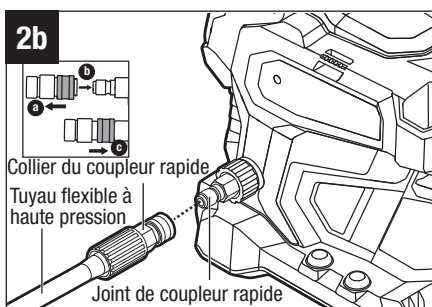
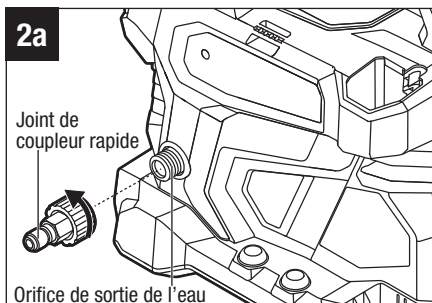
NOM DE LA PIÈCE		QUANTITÉ
Nettoyeur à haute pression		1
Tuyau flexible à haute pression (avec un collier de coupleur rapide installé en usine à chaque extrémité)		1
Tuyau de siphon		1
Pistolet à haute pression court		1
Tube de rallonge en acier inoxydable		1
Joint de coupleur rapide (pour l'orifice de sortie de l'eau)		1
Canon à mousse		1
Filtre		1
Aiguille de nettoyage de buse		1
Buses	Buse à 15°	1
	Buse à 25°	1
	Buse à 40°	1
	Buse turbo	1
Mode d'emploi		1

## RACCORDEMENT DU TUYAU FLEXIBLE À HAUTE PRESSION

1. Vissez fermement le joint de coupleur rapide sur l'orifice de sortie d'eau (Fig. 2a).
2. Tirez vers l'arrière un collier de coupleur rapide du tuyau flexible à haute pression, puis fixez-le sur le joint du coupleur rapide de l'orifice de sortie de l'eau jusqu'à ce que vous entendiez un déclic (Fig. 2b).

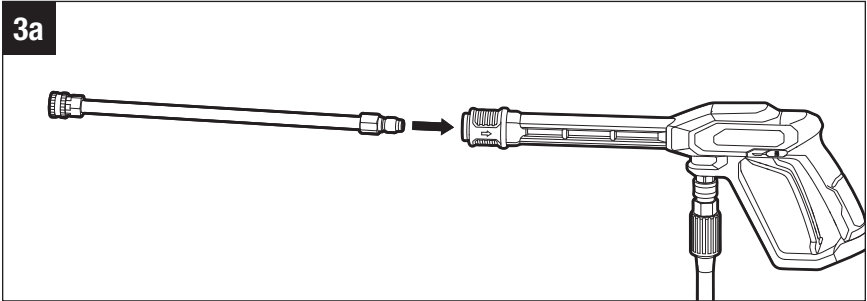
**REMARQUE :** Le collier de coupleur rapide peut être vissé sur le tuyau flexible à haute pression, de telle sorte que celui-ci se raccorde directement à l'orifice de sortie de l'eau par l'intermédiaire de joints de raccordement filetés.

3. Tirez vers l'arrière l'autre collier de coupleur rapide du tuyau flexible à haute pression, puis fixez-le sur le joint de raccordement du pistolet jusqu'à ce que vous entendiez un déclic (Fig. 2c).

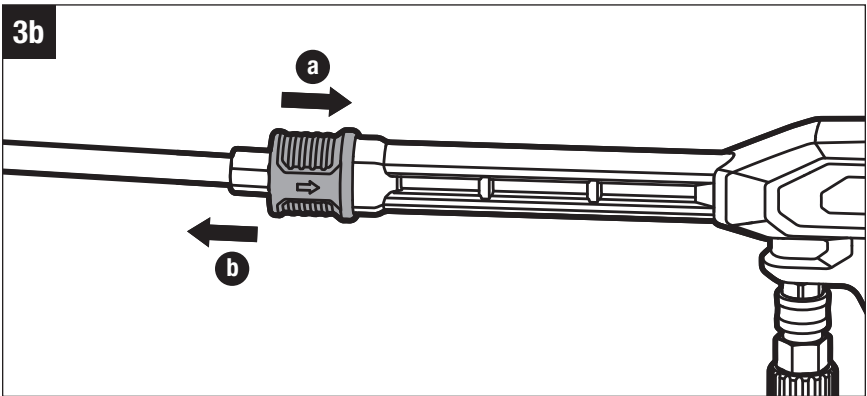


## RACCORDEMENT DU TUBE DE RALLONGE EN ACIER INOXYDABLE AU PISTOLET

Insérez le joint de raccordement du tube de rallonge dans le coupleur rapide du pistolet jusqu'à ce que vous entendiez un déclic. L'anneau extérieur du coupleur rapide se déplacera automatiquement vers l'avant, ce qui indique que la connexion est correctement établie (Fig. 3a).



Pour **déconnecter**, tirez vers l'arrière l'anneau extérieur du coupleur rapide du pistolet pour faire sortir le tube (Fig. 3b).



**⚠ AVERTISSEMENT :** Tenez toujours le pistolet d'une main et le tube de rallonge de l'autre lorsque vous déconnectez le tube du pistolet. La chute du tube de rallonge pourrait entraîner des blessures.

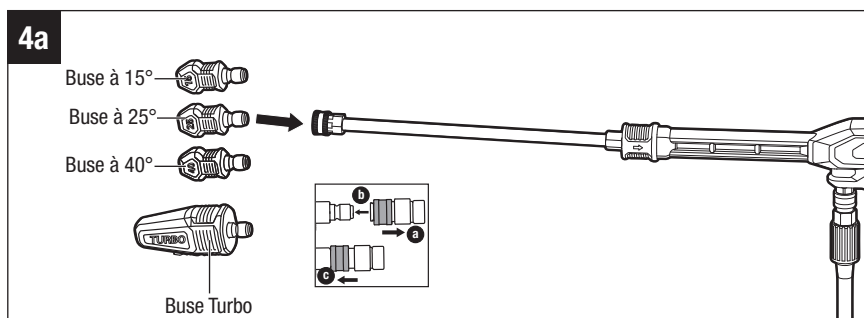
## RACCORDEMENT D'UNE BUSE

**AVIS :** N'utilisez que les buses spécifiées pour le nettoyeur à haute pression. Sinon, le nettoyeur à haute pression risquerait d'être endommagé.

- Choisissez la buse à 15°, une buse à 25°, la buse à 40° ou la buse Turbo pour l'installer sur le tube (Fig. 4a).

**Pour raccorder la buse,** tirez le collier de l'extrémité du coupleur rapide du tube de rallonge vers l'arrière, puis insérez la buse jusqu'à ce que vous entendiez un déclic.

**Pour la déconnecter,** tirez le collier du coupleur rapide vers l'arrière, puis retirez la buse.

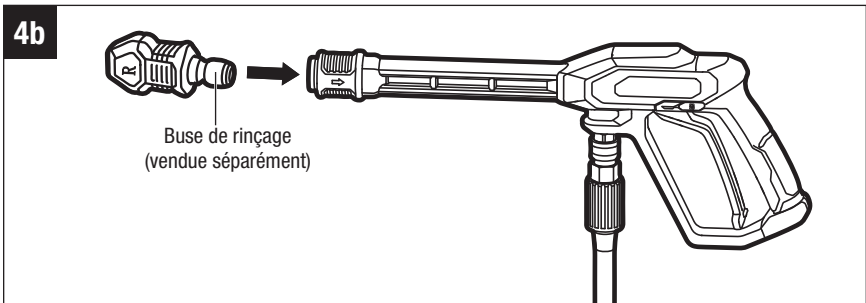




- La buse de rinçage est raccordée directement au pistolet (Fig. 4b).

**Pour la raccorder**, insérez la buse de rinçage dans l’anneau extérieur de l’extrémité coupleur rapide du pistolet jusqu’à ce que vous entendiez un déclic. L’anneau extérieur du coupleur rapide se déplace automatiquement vers l’avant, ce qui indique que la connexion est établie. Tirez sur la buse pour vous assurer qu’elle est bien sécurisée.

**Pour la déconnecter**, tirez vers l’arrière l’anneau extérieur du coupleur rapide, puis retirez la buse de rinçage.



Utilisez le tableau ci-dessous pour choisir la buse adaptée à votre travail.

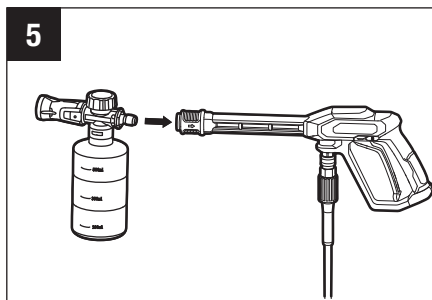
SÉLECTION DE LA BUSE	APPLICATIONS
Buse à 15° jaune	Nettoyage des petites surfaces en métal, en béton ou en bois.
Buse à 25° verte	Nettoyage des grandes surfaces en métal, en béton ou en bois.
Buse à 40° blanche	Nettoyage des surfaces larges en métal, en béton, en bois ou en vinyle.
Buse de rinçage grise (vendue séparément)	Rinçage des véhicules. Rinçage du détergent se trouvant sur le métal, le béton, le bois ou le vinyle.
Buse turbo	Nettoyage des surfaces dures uniquement. Pour éviter d’endommager la surface, il ne faut pas l’utiliser sur les voitures et les surfaces en bois.

## RACCORDEMENT DU CANON À MOUSSE (Fig. 5)

Le canon à mousse est raccordé directement au pistolet.

Tirez sur l'anneau extérieur de l'extrémité du coupleur rapide du pistolet, puis attachez le canon à mousse jusqu'à ce que vous entendiez un déclic. L'anneau extérieur du coupleur rapide se déplace automatiquement vers l'avant, ce qui indique que la connexion est établie. Tirez sur la buse du canon à mousse pour vous assurer qu'elle est bien sécurisée.

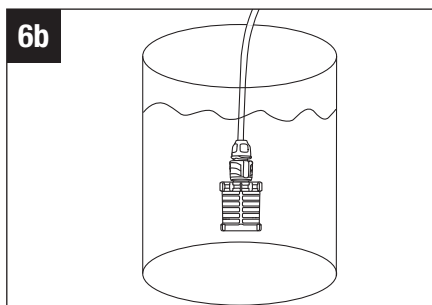
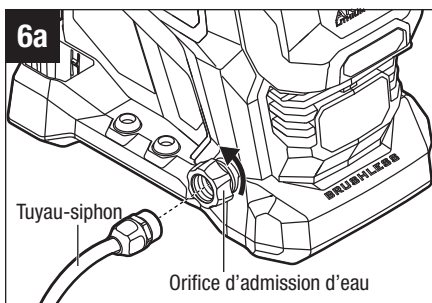
**Pour le déconnecter**, tirez vers l'arrière l'anneau extérieur du coupleur rapide, puis retirez le canon à mousse.



## RACCORDEMENT DU TUYAU-SIPHON

Si vous utilisez un seau d'eau (non fourni) comme source d'alimentation en eau, raccordez le tuyau-siphon au nettoyeur à haute pression.

1. Alignez l'extrémité fileté du tuyau-siphon sur l'orifice d'admission d'eau et serrez-les fermement en vissant le bouton de l'orifice d'admission d'eau (Fig. 6a).
2. Attachez le filtre au coupleur rapide du tuyau-siphon, et immergez complètement le filtre et le coupleur rapide dans l'eau (Fig. 6b).



**REMARQUE : Il est recommandé de remplir complètement le seau d'eau AVANT d'insérer le filtre et le coupleur rapide. De cette manière, le filtre et le coupleur rapide seront correctement immergés. Ils peuvent flotter s'ils sont insérés dans le seau vide avant de le remplir d'eau.**

## RACCORDEMENT AU TUYAU D'ARROSAGE (NON FOURNI)

Si vous utilisez un robinet d'eau (non fourni) comme source d'eau, raccordez le nettoyeur à haute pression à un tuyau d'arrosage (non fourni).

**IMPORTANT :** Respectez toujours les réglementations locales lorsque vous raccordez des tuyaux flexibles à la conduite de distribution d'eau. Dans certaines régions, il est interdit de se raccorder directement au réseau public d'alimentation en eau potable afin d'éviter que des produits chimiques ne s'infiltrent dans le réseau d'eau potable. Le raccordement direct par l'intermédiaire d'un réservoir ou d'un dispositif anti-refoulement est généralement autorisé.

L'alimentation en eau doit provenir d'une conduite de distribution d'eau. N'utilisez JAMAIS d'eau très chaude ou d'eau provenant de piscines, de lacs, etc.

Avant de raccorder le tuyau d'arrosage au nettoyeur à haute pression :

- Faites couler de l'eau dans le tuyau flexible pendant 30 secondes pour éliminer tous les débris du tuyau.
- Inspectez les mailles métalliques de l'orifice d'admission de l'eau. Si les mailles métalliques sont endommagées, n'utilisez pas la machine tant que les mailles n'ont pas été remplacées. Si les mailles métalliques sont sales, nettoyez-les.
- Déroulez complètement le tuyau d'arrosage ou retirez-le complètement de l'enrouleur pour éviter qu'il ne s'entortille.

**REMARQUE :** Il doit y avoir une longueur suffisante de tuyau sans restriction entre l'orifice d'admission d'eau et le robinet ou la vanne d'arrêt (tel qu'un raccord d'arrêt en forme de « Y »).

- Le robinet du tuyau étant complètement fermé, fixez l'extrémité du tuyau d'arrosage au nettoyeur.

## FONCTIONNEMENT

**⚠ AVERTISSEMENT :** Ne laissez pas l'habitude de l'utilisation de ce produit vous empêcher de prendre toutes les précautions requises. N'oubliez jamais qu'une fraction de seconde d'inattention suffit pour causer de graves blessures.

**⚠ AVERTISSEMENT :** N'utilisez pas d'attachelements ou d'accessoires qui ne sont pas recommandés par le fabricant de ce produit. L'utilisation d'attachelements ou d'accessoires qui ne sont pas recommandés peut causer des blessures graves.

**⚠ AVERTISSEMENT :** Pour éviter tout risque de blessure grave, retirez le bloc-piles du produit avant de le réparer ou de le nettoyer, de changer des attachelements ou de retirer des déchets du produit.

### APPLICATION

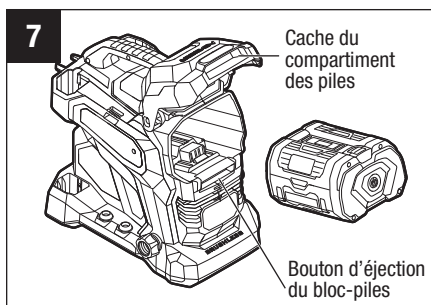
Vous pouvez utiliser ce produit pour faire ce qui suit :

- Nettoyage des saletés sur les automobiles, les murs, les sols, etc.

### INSTALLATION / RETRAIT DU BLOC-PILES (Fig. 7)

**Chargez le bloc-piles avant de vous en servir pour la première fois.**

**REMARQUE :** Pour obtenir des performances optimales, nous recommandons vivement l'utilisation d'un bloc-piles entièrement chargé.



1. Le cache du compartiment des piles est articulé. Levez le cache du compartiment des piles en soulevant le devant du cache.
2. Alignez les rainures dans le bloc-piles sur les nervures du compartiment des piles, puis insérez le bloc-piles dans le compartiment.
3. Enfoncez le bloc-piles jusqu'à ce que vous entendiez un déclic. Le bouton d'éjection des piles rebondira une fois que le bloc-piles aura été attaché de façon sécurisée.

**AVIS :** Assurez-vous que le loquet de verrouillage du compartiment des piles se met bien en place et que le bloc-piles est bien assujéti au nettoyeur avant de commencer à l'utiliser.

4. **Pour retirer le bloc-piles**, appuyez sur le bouton d'éjection des piles pour relâcher le bloc-piles, puis tirez dessus pour le faire sortir du compartiment.
5. Rabattez le cache du compartiment des piles.

**⚠ AVERTISSEMENT :** Retirez toujours le bloc-piles lorsque le nettoyeur à haute pression n'est pas utilisé.

## MISE EN MARCHÉ/ARRÊT DU NETTOYEUR À HAUTE PRESSIION (Fig. 8)

### Mise en marche du nettoyeur à haute pression

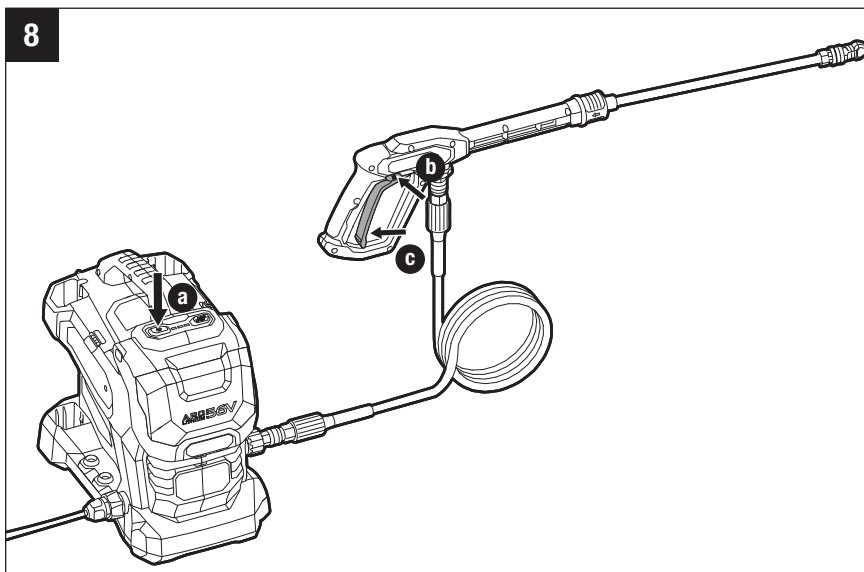
**AVIS :** Ne mettez pas en marche le nettoyeur à haute pression si l'alimentation en eau n'est pas connectée et activée. Ceci pourrait endommager les joints à haute pression et réduire la durée de vie de la pompe.

1. Assurez-vous que le tuyau-siphon, le tuyau flexible à haute pression, le pistolet et la buse sont correctement raccordés.
2. Branchez le tube de rallonge, le canon à mousse et le filtre selon vos besoins.
3. Choisissez l'un des modes d'alimentation en eau ci-dessous :
  - Si vous utilisez un tuyau d'arrosage (non fourni), raccordez le nettoyeur à haute pression au tuyau d'arrosage, puis ouvrez le robinet d'eau.
  - En cas d'utilisation d'un seau d'eau, raccordez le filtre au tuyau-siphon, puis immergez complètement le filtre et le coupleur rapide dans le seau d'eau.
4. Installez le bloc-piles dans le nettoyeur à haute pression.
5. Appuyez sur le bouton de mise sous tension/hors tension pour activer le nettoyeur à haute pression.

**REMARQUE :** Lorsque le nettoyeur à haute pression est sous tension mais qu'aucune autre action n'est effectuée, le nettoyeur s'éteint automatiquement au bout de 5 minutes de veille. Pendant les premières minutes de veille, l'indicateur de vitesse du nettoyeur à haute pression clignote trois fois en vert, ce qui indique qu'il n'y a pas d'eau qui s'écoule dans le tuyau-siphon.

6. Tenez le pistolet avec les deux mains, appuyez sur le côté de déverrouillage du bouton de verrouillage, puis appuyez sur la gâchette jusqu'à ce qu'un débit d'eau régulier soit produit.
7. Commencez le lavage par pulvérisation.

8



**REMARQUE :** Il peut s'écouler un certain temps avant que l'eau ne parte de la source et ne sorte de la buse sous la forme d'un jet de pulvérisation régulier. Pour obtenir rapidement un débit d'eau régulier, vous pouvez faire ce qui suit :

- a. Retirez la buse.
- b. Appuyez sur la gâchette et attendez qu'un jet d'eau régulier commence à sortir du tube.
- c. Relâchez la gâchette et réinstallez la buse.

**⚠ AVERTISSEMENT :** Les pneus de voiture et/ou les valves de pneus ne peuvent être nettoyés qu'à une distance minimale de 30 cm / 11-3/4 po afin d'éviter tout dommage pouvant être causé par le jet à haute pression. La première indication d'un endommagement est la décoloration du pneu. Les pneus de voiture ou les valves de pneus endommagés présentent un risque de blessure.

## Arrêt du nettoyeur à haute pression

1. Une fois le lavage terminé, relâchez la gâchette et appuyez sur le bouton de verrouillage/déverrouillage pour le mettre en position de verrouillage.
2. Appuyez sur le bouton de mise sous tension/hors tension pour désactiver le nettoyeur à haute pression.
3. Fermez le robinet d'eau ou retirez le tuyau-siphon du seau d'eau.
4. Appuyez sur le bouton de verrouillage/déverrouillage du pistolet pour le mettre en position déverrouillée et appuyez sur la gâchette pour vider l'eau des tuyaux flexibles.

**AVIS :** Le pistolet, les tuyaux flexibles, les tubes de rallonge, les buses ou le canon à mousse ne doivent pas être débranchés tant que de l'eau reste dans les tuyaux.

5. Débranchez et retirez le pistolet, les tuyaux flexibles, le tube de rallonge, les buses ou le canon à mousse.
6. Appuyez sur le bouton de mise sous tension/hors tension pour mettre le nettoyeur à haute pression en marche et pour vider l'eau qu'il contient.
7. Appuyez à nouveau sur le bouton de mise sous tension/hors tension pour désactiver le nettoyeur à haute pression.
8. Retirez le bloc-piles.

## SÉLECTION DE LA VITESSE

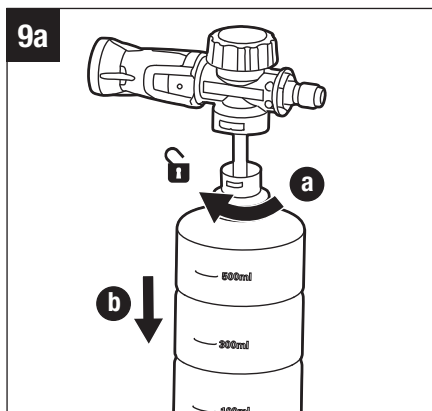
- La vitesse du nettoyeur à haute pression peut être réglée à l'aide du bouton de réglage de la vitesse, qui est situé sur le nettoyeur.
- La vitesse du nettoyeur à haute pression peut être réglée lorsque le nettoyeur est sous tension ou pendant la pulvérisation.
- Chaque fois que l'on appuie sur le bouton de réglage de la vitesse, la vitesse alterne entre le niveau lent, le niveau rapide et le niveau TURBO. L'indicateur de vitesse affiche un voyant vert, deux voyants verts ou trois voyants verts pour indiquer que le nettoyeur à haute pression fonctionne à vitesse lente, à vitesse rapide ou à vitesse TURBO, respectivement.

**AVIS :** Si le nettoyeur à haute pression continue à fonctionner à la vitesse TURBO, la durée d'utilisation par charge peut être affectée.

## NETTOYAGE AVEC DES DÉTERGENTS

**⚠ AVERTISSEMENT :** N'utilisez que des détergents spécifiquement conçus pour les nettoyeurs à haute pression. Respectez les instructions d'application, de mise au rebut et de sécurité du fabricant du détergent.

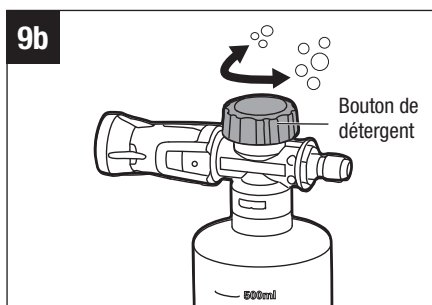
1. Tournez le flacon du canon à mousse dans le sens contraire des aiguilles d'une montre et retirez-le (Fig. 9a).



2. Versez le détergent dans le flacon.

**AVIS :** La température du détergent ne doit pas dépasser 60 °C / 140 °F.

3. Remettez en place le canon à mousse et raccordez-le au coupleur rapide du pistolet.
4. Tournez le bouton du détergent pour ajuster la quantité de détergent ajoutée au débit d'eau en fonction de vos besoins (Fig. 9b).



5. Ouvrez le robinet d'eau ou immergez complètement le filtre-siphon et le coupleur rapide dans le seau d'eau, mettez en marche le nettoyeur à haute pression et pulvérisez le détergent sur une surface sèche en effectuant de longs mouvements réguliers qui se chevauchent. Pour éviter de laisser des marques, ne laissez pas le détergent sécher sur la surface.

**REMARQUE :** Il est recommandé de sélectionner la vitesse lente pour effectuer un nettoyage en douceur.



## MAINTENANCE

**⚠ AVERTISSEMENT :** Pour éviter tout risque de blessure grave, retirez le bloc-piles du produit avant de le réparer ou de le nettoyer, de changer des attachements ou de retirer des déchets du produit.

**⚠ AVERTISSEMENT :** Lors de toute réparation, n'utilisez que des pièces de rechange identiques. L'utilisation de pièces qui ne répondent pas aux spécifications des équipements d'origine pourrait compromettre la sécurité ou endommager le produit. Pour assurer la sécurité et la fiabilité, toutes les réparations doivent être effectuées par un technicien de service qualifié.

**AVIS :** Inspectez périodiquement l'intégralité du produit pour vous assurer qu'il n'y a pas de pièces endommagées, manquantes ou desserrées comme des vis, des écrous, des boulons, des capuchons, etc. Serrez à fond tous les dispositifs de fixation et capuchons, et ne vous servez pas de ce produit avant que toutes les pièces manquantes ou endommagées aient été remplacées.

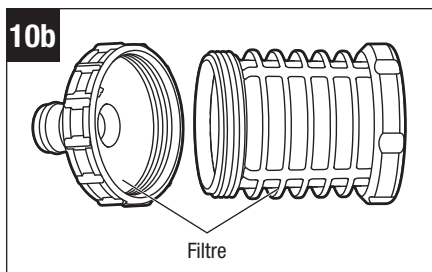
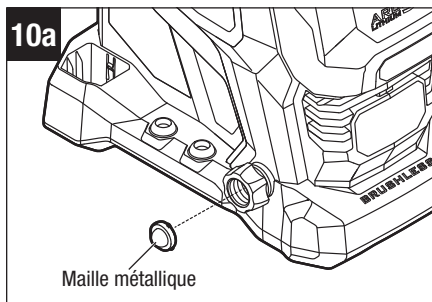
### MAINTENANCE GÉNÉRALE

Évitez d'utiliser des solvants lorsque vous nettoyez des pièces en plastique. La plupart des plastiques sont susceptibles d'être endommagés par divers types de solvants commerciaux, et ils pourraient l'être si vous les utilisez. Utilisez des chiffons propres pour retirer les saletés, la poussière, l'huile, la graisse, etc.

**⚠ AVERTISSEMENT :** Ne laissez jamais de liquide de frein, d'essence, de produits à base de pétrole, d'huiles pénétrantes, etc. entrer en contact avec des composants en plastique. Les produits chimiques peuvent endommager, affaiblir ou détruire le plastique, ce qui pourrait causer des blessures graves.

## NETTOYAGE DES FILTRES

- Retirez la maille métallique de l'orifice d'admission d'eau, rincez-la ou remplacez-la si nécessaire (Fig. 10a).
- Si vous utilisez un seau d'eau comme source d'eau pour le nettoyeur à haute pression, inspectez et nettoyez le filtre régulièrement. Retirez le filtre du coupleur rapide du tuyau-siphon, dévissez le filtre et rincez-le soigneusement (Fig. 10b).



## NETTOYAGE DES BUSES (Fig. 11)

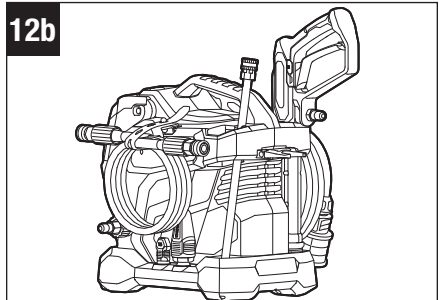
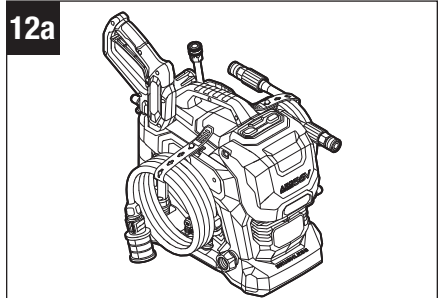
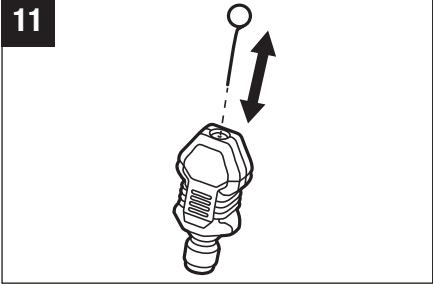
Lorsque les trous des buses sont obstrués, vous pouvez utiliser l'aiguille de nettoyage des buses fournie pour la faire passer à travers les trous et éliminer les obstructions.

## TRANSPORT ET STOCKAGE

**⚠ AVERTISSEMENT :** Pendant le transport ou le stockage, protégez le nettoyeur contre les chocs. Vérifiez et assurez-vous que le nettoyeur n'est pas endommagé avant de vous en servir. Pour garantir la sécurité et la fiabilité, veuillez contacter le service à la clientèle d'EGO pour vous assurer que toutes les réparations sont effectuées par un technicien compétent.

## Rangement du nettoyeur à haute pression (Fig. 12a & Fig. 12b)

1. Arrêtez le nettoyeur à haute pression, relâchez la pression, videz l'eau et retirez le bloc-piles du nettoyeur à haute pression en suivant les instructions de la section intitulée « **Arrêt du nettoyeur à haute pression** ».
2. Rangez les buses dans la zone de stockage des buses du nettoyeur à haute pression.
3. Rangez le pistolet et le tube de rallonge dans les supports prévus à cet effet.
4. Enroulez le tuyau flexible à haute pression et le tuyau-siphon, rangez-les et sécurisez-les sur le nettoyeur à l'aide des courroies de support des tuyaux.
5. Nettoyez soigneusement le nettoyeur à haute pression avant de le ranger.
6. Rangez le nettoyeur à haute pression dans un endroit sec et bien aéré, verrouillé ou en hauteur, hors de portée des enfants. Ne rangez pas le nettoyeur à haute pression sur des engrais, de l'essence ou d'autres produits chimiques, ou à proximité de ceux-ci.



## HIVÉRISATION DE LA LAVEUSE À HAUTE PRESSION

L'hivérisation d'une laveuse à haute pression est essentielle pour la protéger contre les températures glaciales, qui peuvent endommager la pompe, les tuyaux et d'autres composants.

- 1. Arrêt de la laveuse à haute pression.** Assurez-vous que la laveuse à haute pression est éteinte et que les blocs-piles ont été retirés.
- 2. Relâchement de la pression.** Appuyez sur la gâchette du pistolet pour relâcher toute pression résiduelle dans le système. Cela pourrait empêcher la montée en pression pendant le processus d'hivernage.
- 3. Débranchement des tuyaux flexibles et des accessoires.** Retirez tous les tuyaux flexibles, le pistolet et les autres accessoires de la laveuse à haute pression. Vidangez l'eau des tuyaux en les tenant en position verticale et en laissant l'eau s'écouler.
- 4. Connectez un protecteur de pompe de laveuse à haute pression (vendu séparément) à l'orifice d'admission de l'eau pour le traitement.**
- 5. Utilisez un protecteur de pompe de laveuse à haute pression, et distribuez le liquide.** Une fois que le liquide sort de l'orifice de sortie de l'eau, votre laveuse à haute pression est protégée et hivérisée.

## RECHERCHE DE LA CAUSE DES PROBLÈMES

PROBLÈME	CAUSE	SOLUTION
Le nettoyeur à haute pression ne se met pas en marche.	<ul style="list-style-type: none"> <li>■ Le charge du bloc-piles est faible.</li> <li>■ Le bloc-piles n'a pas été installé correctement.</li> </ul>	<ul style="list-style-type: none"> <li>■ Chargez le bloc-piles.</li> <li>■ Faites glisser le bloc-piles dans l'orifice d'insertion des piles jusqu'à ce qu'il s'enclenche à sa place.</li> </ul>
La pompe du nettoyeur à haute pression cesse de fonctionner et l'indicateur de vitesse du nettoyeur clignote trois fois en vert.	<ul style="list-style-type: none"> <li>■ Le nettoyeur à haute pression ou le bloc-piles est trop chaud.</li> <li>■ Il n'y a pas d'eau qui s'écoule dans le tuyau-siphon.</li> <li>■ Le charge du bloc-piles est faible.</li> <li>■ Autre(s) défaut(s) électronique(s).</li> </ul>	<ul style="list-style-type: none"> <li>■ Attendez que le nettoyeur à haute pression ou le bloc-piles revienne à la température de fonctionnement recommandée, puis faites redémarrer le nettoyeur.</li> <li>■ Vérifiez que l'eau s'écoule correctement dans le tuyau-siphon, et faites le nécessaire pour qu'elle s'écoule bien.</li> <li>■ Chargez le bloc-piles.</li> <li>■ Contactez le service à la clientèle d'EGO.</li> </ul>

<b>PROBLÈME</b>	<b>CAUSE</b>	<b>SOLUTION</b>
Le débit d'eau est faible pendant la pulvérisation.	<ul style="list-style-type: none"><li>■ Le filtre est partiellement obstrué.</li><li>■ La maille métallique de l'orifice d'admission de l'eau est partiellement bloquée.</li><li>■ Le filtre et le joint de raccordement du coupleur rapide du tuyau-siphon ne sont pas complètement immergés dans l'eau.</li><li>■ Le tuyau-siphon est replié.</li><li>■ L'eau est sale.</li><li>■ Le tuyau flexible à haute pression est obstrué.</li></ul>	<ul style="list-style-type: none"><li>■ Nettoyez le filtre.</li><li>■ Retirez la maille métallique et nettoyez-la.</li><li>■ Immergez complètement le filtre et le joint de raccordement du coupleur rapide dans l'eau.</li><li>■ Dépliez le tuyau-siphon ou remplacez-le.</li><li>■ N'utilisez que de l'eau propre.</li><li>■ Retirez la buse, puis commencez à pulvériser de l'eau à partir du tuyau flexible pour dégager l'obstruction du tuyau.</li></ul>

PROBLÈME	CAUSE	SOLUTION
<p>Il n'y a pas de pulvérisation d'eau.</p>	<ul style="list-style-type: none"> <li>■ Il n'y a pas d'alimentation en eau.</li> <li>■ Le filtre est complètement obstrué.</li> <li>■ La maille métallique de l'orifice d'admission de l'eau est complètement obstruée.</li> <li>■ La maille métallique de l'orifice d'admission de l'eau est manquante.</li> <li>■ La buse est obstruée.</li> <li>■ La pompe, les tuyaux flexibles ou d'autres composants sont gelés.</li> </ul>	<ul style="list-style-type: none"> <li>■ Vérifiez et assurez-vous que le nettoyeur est correctement raccordé à la source d'alimentation en eau.</li> <li>■ Nettoyez le filtre.</li> <li>■ Retirez la maille métallique et nettoyez-la.</li> <li>■ Vérifiez que la maille métallique est correctement installée dans l'orifice d'admission de l'eau (voir Fig. 15a).</li> <li>■ Utilisez l'aiguille de nettoyage des buses pour passer à travers les trous.</li> <li>■ Attendez qu'ils soient décongelés.</li> </ul>
<p>Le débit d'eau n'est pas stable.</p>	<ul style="list-style-type: none"> <li>■ De l'air circule dans le nettoyeur.</li> <li>■ Les joints d'étanchéité de la pompe sont usés.</li> </ul>	<ul style="list-style-type: none"> <li>■ Vérifiez et assurez-vous que le tuyau-siphon est correctement raccordé.</li> <li>■ Contactez le service à la clientèle d'EGO.</li> </ul>

PROBLÈME	CAUSE	SOLUTION
La pulvérisation d'eau commence ou s'arrête automatiquement.	<ul style="list-style-type: none"><li>■ La buse est obstruée.</li><li>■ Le tuyau flexible à haute pression est endommagé.</li><li>■ Il y a une fuite d'eau provenant du pistolet.</li><li>■ Les joints d'étanchéité de la pompe et du tuyau sont usés.</li></ul>	<ul style="list-style-type: none"><li>■ Utilisez l'aiguille de nettoyage des buses pour passer à travers les trous.</li><li>■ Remplacez le tuyau par un nouveau tuyau flexible à haute pression.</li><li>■ Contactez le service à la clientèle d'EGO.</li></ul>
La pulvérisation de l'eau ne se fait pas en spirale quand on utilise la buse Turbo.	<ul style="list-style-type: none"><li>■ La buse Turbo est partiellement obstruée.</li></ul>	<ul style="list-style-type: none"><li>■ Appuyez sur la gâchette du pistolet et relâchez-la pour activer et désactiver la pulvérisation à plusieurs reprises. Si le problème n'est pas résolu, contactez le service à la clientèle d'EGO.</li></ul>



# GARANTIE LIMITÉE D'EGO

## CONDITIONS ET DURÉE DE LA POLITIQUE DE GARANTIE

Chervon North America, Inc. (« Chervon North America ») accorde la Garantie limitée suivante pour les produits EGO à l'acheteur initial de produits EGO.

La période de garantie détaillée de chaque produit EGO est indiquée en ligne à l'adresse <http://egopowerplus.com/warranty-policy>.

**Veillez contacter le Service à la clientèle d'EGO en téléphonant au 1-855-EGO-5656 (appel gratuit)** à tout moment en cas de questions, si vous voulez vous prévaloir de la garantie.

## GARANTIE LIMITÉE DE SERVICE APRÈS-VENTE

Les produits EGO sont garantis contre tout défaut de matériel ou de fabrication à partir de la date d'achat au détail originale et pendant la période de garantie applicable.

Pour toute demande de garantie soumise correctement et dans les délais, si Chervon North America détermine qu'un produit est défectueux pendant la période de garantie, le produit sera réparé ou remplacé gratuitement, selon ce qui aura été déterminé par Chervon North America.

## COMMENT OBTENIR DE L'ASSISTANCE DANS LE CADRE DU SERVICE APRÈS-VENTE

Pour obtenir de l'assistance dans le cadre de la garantie (pendant la période de garantie applicable), veuillez contacter le service à la clientèle d'EGO en téléphonant au **1-855-EGO-5656** (appel gratuit). Lorsque vous demandez de l'assistance dans le cadre de la garantie, vous devez présenter le reçu de vente original daté. Un centre de service après-vente agréé sera sélectionné pour évaluer et réparer le produit défectueux conformément aux conditions de garantie énoncées. Lorsque vous apportez votre produit au centre de service après-vente agréé, il se peut qu'une petite caution vous soit demandée lors du dépôt de votre outil. Cette caution est remboursable lorsque le service de réparation est considéré comme étant couvert par la garantie. Il incombe à l'acheteur d'effectuer le transport de tous les équipements électriques d'extérieur ou attachements à ses frais.

## LIMITATIONS ET EXCLUSIONS SUPPLÉMENTAIRES

Cette garantie limitée ne s'applique qu'à l'acheteur initial d'un produit à un revendeur agréé EGO, et elle ne peut pas être cédée. Les produits EGO ne sont pas considérés comme défectueux et la présente garantie ne s'applique pas lorsque le défaut invoqué est imputable à une cause autre que les défauts définis ci-dessus. Cette garantie est nulle et non avenue si le produit a été utilisé à des fins de location. La présente garantie ne s'applique pas aux dommages causés par un accident, un abus, une mauvaise utilisation, une altération, une modification, une réparation non autorisée, un contact avec un liquide, un incendie, un tremblement de terre ou toute autre cause externe ; par une utilisation du produit en dehors des instructions, spécifications ou directives d'EGO ; ou par un manquement à l'entretien ou à la maintenance convenable du produit. Cette garantie ne s'applique pas non plus aux dommages esthétiques, y compris, mais sans s'y limiter, les rayures ou les bosses, ainsi qu'aux défauts causés par l'usure normale ou autrement dus au vieillissement normal du produit.

CETTE GARANTIE EXPRESSE EST DONNÉE EN LIEU ET PLACE DE TOUTE AUTRE GARANTIE, EXPRESSE OU IMPLICITE, Y COMPRIS, MAIS SANS S'Y LIMITER, TOUTE GARANTIE DE QUALITÉ MARCHANDE OU D'ADÉQUATION À UN USAGE PARTICULIER, QUI EST REJETÉE. Toute garantie implicite, y compris la garantie de qualité marchande ou d'adéquation à un usage particulier qui ne peut être rejetée en vertu de la loi de l'État ou de la province est limitée à la période de garantie applicable définie au début de cet article. Le seul et unique recours en rapport avec l'achat, l'installation, l'utilisation et/ou la performance des produits EGO est la réparation ou le remplacement du produit selon la décision de Chervon North America. La responsabilité maximale de Chervon North America ne dépassera en aucun cas le prix d'achat payé pour le produit. CHERVON NORTH AMERICA NE SERA PAS RESPONSABLE ENVERS L'UTILISATEUR OU TOUTE AUTRE PERSONNE DES DOMMAGES CONSÉCUTIFS, ACCIDENTELS, SPÉCIAUX, EXEMPLAIRES, INDIRECTS OU PUNITIFS RÉSULTANT DE L'UTILISATION DES PRODUITS, Y COMPRIS, MAIS SANS S'Y LIMITER, LES PRÉJUDICES CORPORELS, LA MORT, LES DOMMAGES MATÉRIELS, LA PERTE DE BÉNÉFICES OU TOUT AUTRE DOMMAGE ÉCONOMIQUE. Cette garantie vous confère des garanties juridiques particulières, et vous pouvez aussi avoir d'autres droits, qui varient selon l'État ou la province. Étant donné que certains États et certaines provinces ne permettent pas de limitations quant à la durée d'une garantie implicite ou ne permettent pas l'exclusion ou la limitation des dommages indirects ou secondaires, ou le délai de prescription pour intenter certaines actions, il est possible que les limitations contenues aux présentes ne s'appliquent pas à consommateurs dans ces États ou provinces.



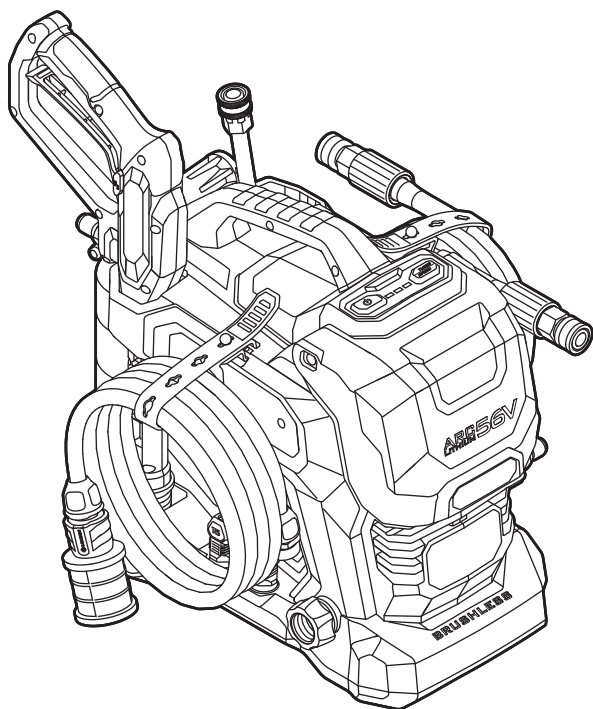
Cette garantie est soumise au droit du Michigan et doit être interprétée conformément au droit du Michigan sans tenir compte des principes de conflits de lois. Aucune action en justice ne pourra être intentée contre Chervon North America si elle n'est pas déposée dans un délai d'un (1) an après que le fondement de cette action en justice aura été connu, ou qu'il aurait dû l'être si une diligence raisonnable avait été exercée. Toute action non intentée dans les délais est réputée abandonnée.

Pour le service à la clientèle, contactez-nous en téléphonant au numéro suivant (appel gratuit) : **1-855-EGO-5656** ou **EGOPOWERPLUS.COM**.  
EGO Customer Service,  
769 Seward Ave. NW, Suite 102,  
Grand Rapids, Michigan 49504.



# EGO™

POWER+ CLEANING™



MANUAL DEL USUARIO

## HIDROLAVADORA A PRESIÓN DE ION LITIO DE 56 V

NÚMERO DE MODELO HPW2100/HPW2100-FC

**⚠ ADVERTENCIA:** Para reducir el riesgo de lesiones, el usuario debe leer y comprender el Manual del propietario antes de usar este producto. Guarde estas instrucciones para referencia futura.

# ¡LEA TODAS LAS INSTRUCCIONES!



LEA Y ENTIENDA EL  
MANUAL DEL OPERADOR

## ÍNDICE

Símbolos de seguridad .....	79
Símbolos .....	80
Instrucciones de seguridad importantes para la hidrolavadora a presión .....	81-83
Introducción .....	84
Especificaciones .....	85
Accesorios .....	85
Descripción .....	86-90
Ensamblaje .....	91-98
Utilización .....	99-103
Mantenimiento .....	104-107
Resolución de problemas .....	108-111
Garantía Limitada de EGO .....	112-114

# SÍMBOLOS DE SEGURIDAD

El propósito de los símbolos de seguridad es alertarlo sobre posibles peligros. Los símbolos de seguridad y sus explicaciones merecen una atención y comprensión minuciosas. Las advertencias de los símbolos, por sí mismas, no eliminan los peligros. Las instrucciones y las advertencias no sustituyen las medidas de prevención de accidentes que correspondan.

**⚠️ ADVERTENCIA:** Antes de utilizar esta herramienta, asegúrese de leer y comprender todas las instrucciones de seguridad en este Manual del propietario, incluidos todos los símbolos de alerta de seguridad como “**PELIGRO**”, “**ADVERTENCIA**” y “**PRECAUCIÓN**”. No seguir todas las instrucciones que se indican a continuación podría resultar en descargas eléctricas, incendios y/o lesiones personales graves.

Las definiciones que aparecen a continuación describen el nivel de gravedad de cada palabra de aviso. Por favor, lea el manual y preste atención a estos símbolos.	
	Este es el símbolo de alerta de seguridad. Se utiliza para alertarle a usted de posibles peligros de lesiones corporales. Obedezca todos los mensajes de seguridad que sigan a este símbolo para evitar posibles lesiones o la muerte.
<b>⚠️ PELIGRO</b>	PELIGRO indica una situación peligrosa que, si no se evita, causará la muerte o lesiones graves.
<b>⚠️ ADVERTENCIA</b>	ADVERTENCIA indica una situación peligrosa que, si no se evita, podría causar la muerte o lesiones graves.
<b>⚠️ PRECAUCIÓN</b>	PRECAUCIÓN, utilizada con el símbolo de alerta de seguridad, indica una situación peligrosa que, si no se evita, podría causar lesiones leves o moderadas.




## MENSAJES DE PREVENCIÓN DE DAÑOS E INFORMACIÓN

Estos mensajes ofrecen al usuario información y/o instrucciones importantes que, de no seguirse, podrían causar daños al equipo u otros daños materiales. Antes de cada mensaje, aparece la palabra “**AVISO**”, como en el ejemplo a continuación:

**AVISO:** Si no se siguen estas instrucciones se pueden producir daños al equipo y/o daños materiales.

## SÍMBOLOS

Esta página muestra y describe los símbolos de seguridad que es posible que aparezcan en este producto. Lea, entienda y siga todas las instrucciones que se encuentran en el producto antes de intentar ensamblarlo y utilizarlo.

	Alerta de seguridad	Precauciones relacionadas con la seguridad del usuario.
	Lea y entienda el manual del operador	Para reducir el riesgo de lesiones, el usuario debe leer y entender el manual del operador antes de utilizar este producto.
	No se debe conectar a las tomas principales de agua potable.	El producto no está diseñado para ser conectado a las tomas principales de agua potable.
IP...	Calificación de protección contra la penetración (IP)	Clasifica el grado de protección proporcionada por un recinto cerrado para equipos eléctricos.
°F	Grados Fahrenheit	Temperatura
°C	Grados Celsius	Temperatura
lbs	Libras	Peso
kg	Kilogramo	Peso
PSI	Libras por pulgada cuadrada	Presión
MPa	Megapascal	Presión
GPM	Galones por minuto	Caudal
L/min	Litros por minuto	Caudal



# INSTRUCCIONES DE SEGURIDAD IMPORTANTES PARA LA HIDROLAVADORA A PRESIÓN

**⚠ ADVERTENCIA:** Riesgo de lesiones. No dirija el chorro de descarga hacia personas.

**⚠ ADVERTENCIA:** Cuando se utilice este producto, se deberán seguir siempre precauciones básicas, incluyendo las siguientes:

- Lea todas las instrucciones antes de utilizar el producto.
- Para reducir el riesgo de lesiones, se necesita supervisión estrecha cuando un producto se utilice cerca de niños.
- Sepa cómo parar el producto y eliminar la presión rápidamente. Esté sumamente familiarizado con los controles.
- Manténgase alerta: Fíjese en lo que está haciendo.
- No utilice el producto cuando esté fatigado o bajo la influencia de alcohol o drogas.
- Mantenga el área de utilización despejada de todas las personas.
- No utilice la hidrolavadora a presión en malas condiciones climáticas, especialmente cuando haya riesgo de rayos. Esto reduce el riesgo de ser alcanzado por rayos.
- No se debe conectar a las tomas principales de agua potable. El producto no está diseñado para ser conectado a las tomas principales de agua potable.
- No intente alcanzar demasiado lejos ni se suba a un soporte inestable. Mantenga un buen apoyo de los pies y un buen equilibrio en todo momento.
- Siga las instrucciones de mantenimiento especificadas en el manual.
- Prevenga los arranques accidentales. Asegúrese de que el interruptor esté en la posición de apagado antes de conectar el aparato eléctrico al paquete de batería, levantar el aparato eléctrico o transportarlo. Si se transporta el aparato eléctrico con el dedo en el interruptor o si se suministra corriente al aparato eléctrico cuando tenga el interruptor en la posición de encendido, se invita a que se produzcan accidentes.
- Desconecte el paquete de batería del aparato eléctrico antes de hacer cualquier ajuste, cambiar accesorios o almacenar el aparato eléctrico. Dichas medidas preventivas de seguridad reducen el riesgo de arrancar accidentalmente el aparato eléctrico.

- Recargue el paquete de batería solo con el cargador especificado por el fabricante. Es posible que un cargador que sea adecuado para un tipo de paquete de batería cree un riesgo de incendio cuando se utilice con otro paquete de batería.
- Utilice el aparato eléctrico solo con los paquetes de batería designados específicamente. Es posible que el uso de cualquier otro paquete de batería cree un riesgo de lesiones e incendio.
- Cuando el paquete de batería no se esté utilizando, manténgalo alejado de otros objetos metálicos, tales como clips sujetapapeles, monedas, llaves, clavos, tornillos u otros objetos metálicos pequeños, que puedan hacer una conexión de un terminal al otro. Si se cortocircuitan juntos los terminales de la batería, es posible que se causen quemaduras o un incendio.
- En condiciones abusivas es posible que se expulse líquido de la batería; evite el contacto. Si se produce contacto accidentalmente, enjuáguese con agua. Si el líquido entra en contacto con los ojos, obtenga además ayuda médica. Es posible que el líquido expulsado de la batería cause irritación o quemaduras.
- No utilice un paquete de batería o un aparato eléctrico que estén dañados o modificados. Es posible que las baterías dañadas o modificadas exhiban un comportamiento imprevisible que cause incendio, explosión o riesgo de lesiones.
- No exponga un paquete de batería o un aparato eléctrico a un fuego o a una temperatura excesiva. Es posible que la exposición a un fuego o a una temperatura superior a 265 °F (130 °C) cause una explosión.
- Siga todas las instrucciones de carga y no cargue el paquete de batería ni el aparato eléctrico fuera del intervalo de temperatura especificado en las instrucciones. Es posible que la realización de la carga de manera inadecuada o a temperaturas que estén fuera del intervalo especificado dañe la batería y aumente el riesgo de incendio.
- Haga que el servicio de ajustes y reparaciones sea realizado por un técnico de reparaciones calificado que utilice únicamente piezas de repuesto idénticas. Esto garantizará que se mantenga la seguridad del producto.
- No modifique ni intente reparar el aparato eléctrico o el paquete de batería (según corresponda), excepto tal como se indique en las instrucciones de uso y cuidado.
- **PRECAUCIÓN:** Riesgo de lesiones. No dirija el chorro de descarga hacia personas.

- **Utilice el producto solo con los paquetes de batería y los cargadores que se indican a continuación:**

<b>PAQUETE DE BATERÍA</b>	<b>CARGADOR</b>
BA1400, BA1400-FC, BA2800, BA2800-FC, BA4200, BA4200-FC, BA1400T, BA1400T-FC, BA2242T, BA2242T-FC, BA2800T, BA2800T-FC, BA3360T, BA3360T-FC, BA4200T, BA4200T-FC, BA4480T, BA4480T-FC, BA5600T, BA5600T-FC, BA6720T, BA6720T-FC	CH2100, CH2100-FC, CH3200, CH3200-FC, CH5500, CH5500-FC, CH2800D, CH2800D-FC, CH7000, CH7000-FC, CH7000T, CH7000T-FC

**¡GUARDE ESTAS INSTRUCCIONES!** Consúltelas frecuentemente y úselas para instruir a otras personas que puedan utilizar este aparato eléctrico. Si le presta este aparato eléctrico a otra persona, préstele también estas instrucciones para evitar un uso incorrecto del producto y posibles lesiones.

## INTRODUCCIÓN

Felicitaciones por su selección de la hidrolavadora a presión de ion litio de 56 V. Esta hidrolavadora a presión ha sido diseñada, concebida y fabricada para ofrecerle a usted la mejor confiabilidad y el mejor rendimiento posibles.


En caso de que tuviera algún problema que no pudiera resolver fácilmente, póngase en contacto con el Centro de Servicio al Cliente de EGO llamando al 1-855-EGO-5656.

Este manual contiene información importante para el ensamble, el funcionamiento y el mantenimiento seguro de su producto. Léalo detenidamente antes de usar el producto. Mantenga este manual a mano para poder consultarlo en cualquier momento.

NÚMERO DE SERIE \_\_\_\_\_ FECHA DE COMPRA \_\_\_\_\_

DEBE ANOTAR EL NÚMERO DE SERIE Y LA FECHA DE COMPRA Y CONSERVARLOS EN UN LUGAR SEGURO PARA CONSULTARLOS EN EL FUTURO.

## ESPECIFICACIONES

Tensión	56 V 
Presión nominal máxima	2100 PSI (14,5 MPa)
Caudal nominal máximo (con la lanza de conexión rápida y el tubo extensor de acero inoxidable conectados)	1,2 GPM (4,5 l/min)
Caudal nominal máximo (solo con la pistola de presión corta conectada)	1,3 GPM (5,0 l/min)
Calificación de protección contra la penetración	IPX5* (protección contra los chorros de agua)
Temperatura de funcionamiento recomendada	41 – 104 °F (5 – 40 °C)
Temperatura de almacenamiento recomendada	-4 – 158 °F (-20 – 70 °C)
Peso (sin paquete de batería)	20.4 lb (9.26 kg)

\* **NOTA:** La calificación IPX5 es válida cuando el compartimento de las baterías está cerrado correctamente.

## ACCESORIOS

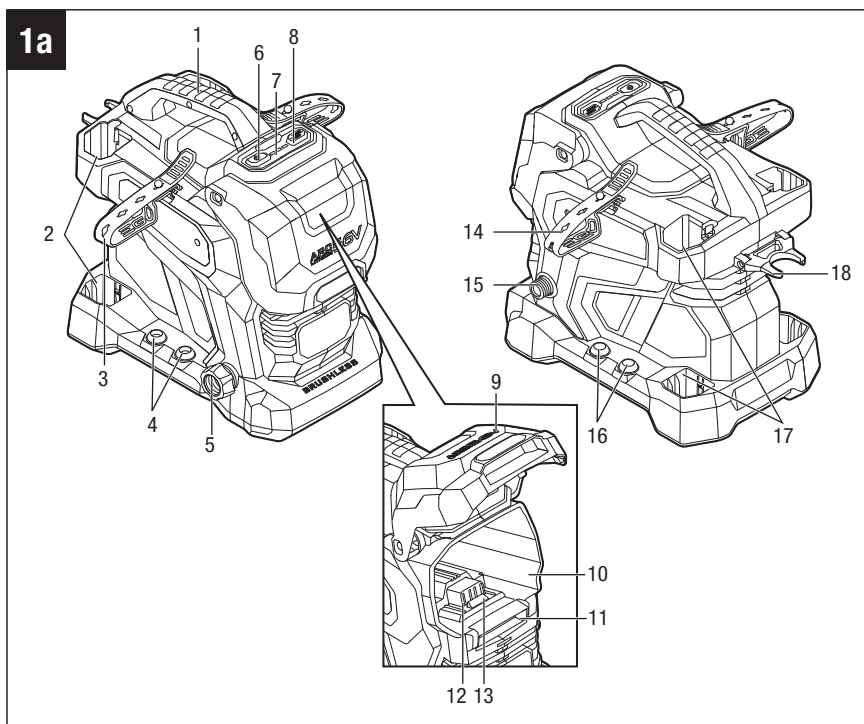
**⚠ ADVERTENCIA:** Utilice solo los accesorios idénticos que se indican a continuación. Es posible que el uso de accesorios que no cumplan con las especificaciones del equipo original cause un rendimiento incorrecto y ponga en peligro la seguridad.

NOMBRE DE LA PIEZA	NÚMERO DE MODELO
Kit de boquillas (incluye una de cada): Boquilla Turbo, boquilla de 15°, boquilla de 25°, boquilla de 40°, boquilla de enjuague)	ANK2100
Cañón de espuma de latón premium	AFC3200

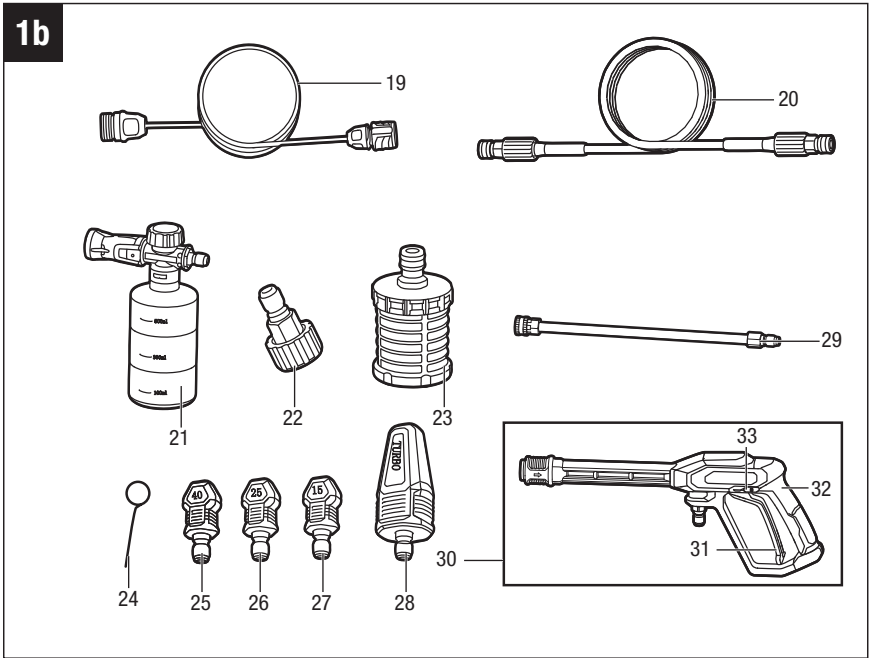
Para obtener más información sobre los últimos accesorios, sírvase visitar: [www.egopowerplus.com](http://www.egopowerplus.com).

# DESCRIPCIÓN

## CONOZCA SU HIDROLAVADORA A PRESIÓN (Fig. 1)



- |  |   |
|--|---|
| 1. Empuñadura                                | 10. Compartimiento de la batería            |
| 2. Soporte de sujeción de la pistola         | 11. Botón de liberación de la batería       |
| 3. Correa de soporte de la manguera          | 12. Contactos eléctricos                    |
| 4. Área de almacenamiento de las boquillas   | 13. Mecanismo de eyección                   |
| 5. Puerto de entrada de agua                 | 14. Correa de soporte de la manguera        |
| 6. Botón de alimentación                     | 15. Puerto de salida de agua                |
| 7. Indicador de velocidad                    | 16. Área de almacenamiento de las boquillas |
| 8. Botón de velocidad                        | 17. Soporte de sujeción del tubo extensor   |
| 9. Cubierta del compartimiento de la batería | 18. Almacenamiento del cañón de espuma      |



- |   |                                       |
|---|---------------------------------------|
| 19. Manguera de sifón   | 26. Boquilla de 25°                   |
| 20. Manguera de alta presión (con collarines de acoplador rápido) | 27. Boquilla de 15°                   |
| 21. Cañón de espuma   | 28. Boquilla Turbo                    |
| 22. Junta del acoplador rápido                                    | 29. Tubo extensor de acero inoxidable |
| 23. Filtro  | 30. Pistola de presión corta          |
| 24. Aguja de limpieza de las boquillas                            | 31. Gatillo                           |
| 25. Boquilla de 40°   | 32. Empuñadura de la pistola          |
|   | 33. Botón de fijación en apagado      |

**⚠ ADVERTENCIA:** El uso seguro de este producto requiere entender la información que está en el producto y en este manual de instrucciones, así como tener conocimiento del proyecto que se esté intentando realizar. Antes de utilizar este producto, familiarícese con todas las características de funcionamiento y todas las normas de seguridad.

### **Puerto de entrada de agua**

Con la manguera de sifón conectada, este puerto se utiliza para que fluya agua hacia dentro.

### **Puerto de salida de agua**

Con la manguera de presión conectada, este puerto se utiliza para que fluya agua hacia fuera.

### **Manguera de sifón**

Proporciona un camino para que fluya agua hacia dentro.

### **Manguera de alta presión**

Proporciona un camino para que fluya agua hacia fuera.

### **Correas de soporte de las mangueras**

Fijan la manguera de presión y la manguera de sifón durante el almacenamiento.

### **Pistola de presión corta**

Agarre la pistola para rociar agua. Proporciona un flujo alto y una presión baja para aplicaciones de enjuague.

### **Soportes de sujeción de la pistola/del tubo extensor**

Proporcionan soporte para la pistola de presión corta y el tubo extensor de acero inoxidable cuando no se están utilizando.

### **Tubo extensor de acero inoxidable**

Se requiere para conectar la mayoría de las boquillas.



## **Boquillas**

Se utilizan para rociar agua con diversos caudales, ángulos y formas para diferentes aplicaciones.

## **Cañón de espuma**

Añada detergente en el cañón de espuma para realizar limpieza profunda. Por favor, siga las recomendaciones de concentración para el detergente espumante específico.

## **Aguja de limpieza de las boquillas**

Se utiliza para despejar los bloqueos de las boquillas.

## **Conjunto de acoplador rápido (collarín y junta)**

Se instala en la fábrica en el puerto de salida de agua y la manguera de presión para realizar una conexión/desconexión rápida.

## **Filtro**

Filtra el agua en una cubeta antes de que fluya hacia el interior de la manguera de sifón.

## **Gatillo**

Enciende y apaga la acción de rociado de agua.

## **Botón de fijación en apagado**

Ayuda a prevenir la activación accidental del gatillo. Presione el lado de desbloqueo del botón antes de que se pueda activar el gatillo.

## **Compartimiento del paquete de batería**

Acomoda un paquete de batería.

## **Botón de liberación de la batería**

Presione el botón para liberar el paquete de batería de la hidrolavadora a presión.

## **PANEL DE OPERADOR**

### **Botón de alimentación**

ENCIENDE y APAGA la hidrolavadora a presión.

### **Botón de velocidad**

Permite al operador seleccionar la velocidad deseable.

### **Indicador de velocidad**

Muestra una luz verde, dos luces verdes o tres luces verdes para indicar que la hidrolavadora a presión está funcionando a velocidad baja, alta o TURBO, respectivamente.

## ENSAMBLAJE

**⚠ ADVERTENCIA:** Si alguna de las piezas está dañada o falta, no utilice este producto hasta que las piezas hayan sido reemplazadas. La utilización de este producto con piezas dañadas o si le faltan piezas podría causar lesiones corporales graves.

**⚠ ADVERTENCIA:** No intente modificar este producto ni crear accesorios no recomendados para utilizarse con este producto. Cualquiera de dichas alteraciones o modificaciones constituye un uso incorrecto y podría provocar una situación peligrosa que cause posibles lesiones corporales graves.

**⚠ ADVERTENCIA:** Para prevenir arranques accidentales que podrían causar lesiones corporales graves, retire siempre el paquete de batería (los paquetes de batería) del producto cuando ensamble piezas.

## DESEMPAQUE

Este producto requiere ensamblaje.

- Saque cuidadosamente el producto y todos los accesorios de la caja de cartón. Asegúrese de que todos los artículos indicados en la “**LISTA DE EMPAQUETAMIENTO**” estén incluidos.
- Inspeccione minuciosamente el producto para asegurarse de que no se hayan producido roturas o daños durante el envío.
- No deseche el material de empaquetamiento hasta que haya inspeccionado minuciosamente y utilizado satisfactoriamente el producto.
- Si alguna de las piezas está dañada o falta, sírvase devolver el producto al lugar de compra.

**LISTA DE EMPAQUETAMIENTO**

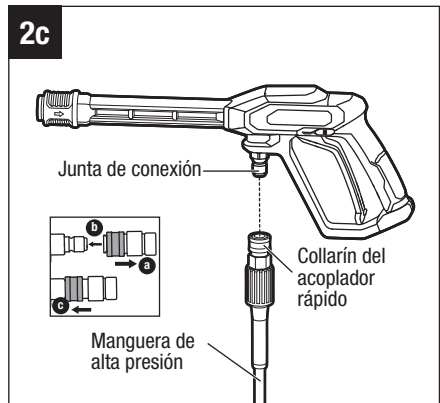
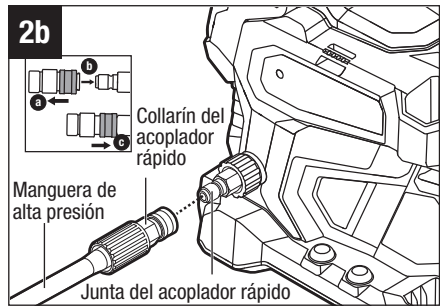
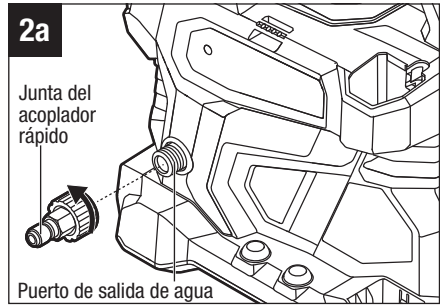
<b>NOMBRE DE LA PIEZA</b>		<b>QUANTITY</b>
Unidad de hidrolavadora a presión		1
Manguera de alta presión (con un collarín de acoplador rápido instalado en la fábrica en cada extremo)		1
Manguera de sifón		1
Pistola de presión corta		1
Tubo extensor de acero inoxidable		1
Junta del acoplador rápido (para el puerto de salida de agua)		1
Cañón de espuma		1
Filtro		1
Aguja de limpieza de las boquillas		1
Boquillas	Boquilla de 15°	1
	Boquilla de 25°	1
	Boquilla de 40°	1
	Boquilla Turbo	1
Manual del operador		1

## CONEXIÓN DE LA MANGUERA DE ALTA PRESIÓN

1. Enrosque firmemente la junta del acoplador rápido en el puerto de salida de agua (Fig. 2a).
2. Jale hacia atrás el collarín del acoplador rápido de la manguera de alta presión y luego acóplelo sobre la junta del acoplador rápido del puerto de entrada de agua hasta que oiga un “clic” (Fig. 2b).

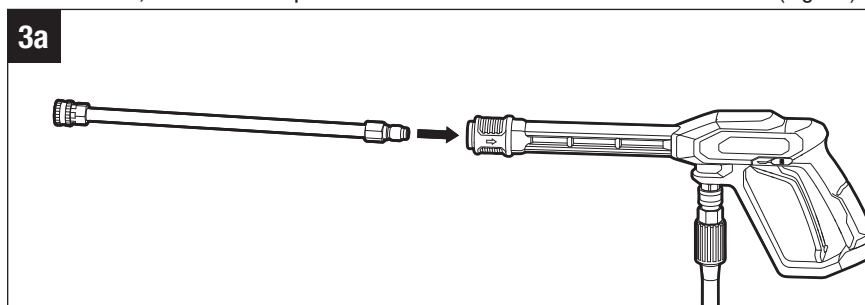
**NOTA:** El collarín del acoplador rápido se podría desenroscar de la manguera de alta presión, por lo que dicha manguera se conecta con el puerto de salida de agua directamente a través de las juntas roscadas.

3. Jale hacia atrás el collarín del otro acoplador rápido de la manguera de alta presión y luego acóplelo sobre la junta de conexión de la pistola hasta que oiga un “clic” (Fig. 2c).

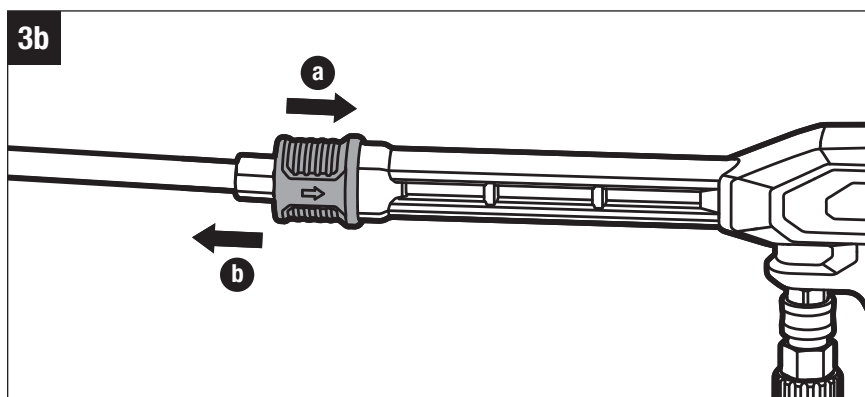


## CONEXIÓN DEL TUBO EXTENSOR DE ACERO INOXIDABLE A LA PISTOLA

Inserte la junta de conexión del tubo extensor en el acoplador rápido de la pistola hasta que oiga un “clic”. El anillo externo del acoplador rápido se moverá automáticamente hacia delante, lo cual indica que la conexión está establecida adecuadamente (Fig. 3a).



**Para desconectar**, jale hacia atrás el anillo externo del acoplador rápido de la pistola para jalar hacia fuera el tubo extensor (Fig. 3b).



**⚠ ADVERTENCIA:** Agarre siempre la pistola con una mano y el tubo extensor con la otra mano cuando desconecte el tubo extensor de la pistola. Es posible que se produzcan lesiones corporales si el tubo extensor se cae.

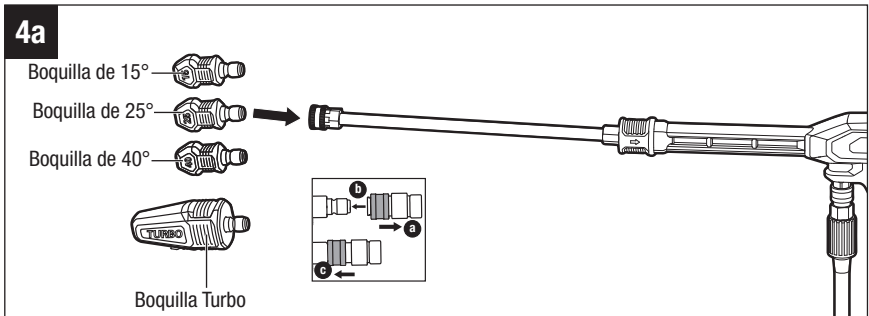
## CONEXIÓN DE UNA BOQUILLA

**AVISO:** Utilice solo las boquillas especificadas para la hidrolavadora a presión. De lo contrario, es posible que la hidrolavadora a presión resulte dañada.

- Escoja la boquilla de 15°, la boquilla de 25°, la boquilla de 40° o la boquilla Turbo para instalarla en el tubo extensor (Fig. 4a).

**Para conectar,** jale hacia atrás el collarín del extremo del tubo extensor donde está el acoplador rápido y luego inserte la boquilla hasta que oiga un “clic”.

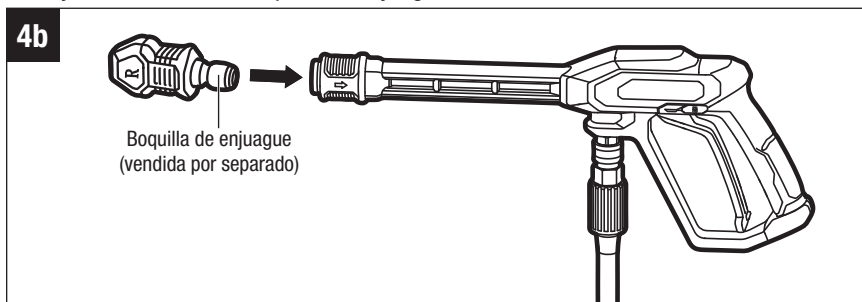
**Para desconectar,** jale hacia atrás el collarín del acoplador rápido y luego jale hacia fuera la boquilla.



- La boquilla de enjuague se conecta directamente a la pistola (Fig. 4b).

**Para conectar**, inserte la boquilla de enjuague en el anillo externo del extremo de la pistola donde está el acoplador rápido hasta que oiga un “clic”. El anillo externo del acoplador rápido se moverá automáticamente hacia adelante, lo cual indica que se ha establecido la conexión. Jale la boquilla para asegurarse de que esté instalada firmemente.

**Para desconectar**, jale hacia atrás el anillo externo del acoplador rápido y luego jale hacia fuera la boquilla de enjuague.



Utilice la tabla que aparece a continuación para seleccionar la boquilla adecuada para el trabajo.

SELECCIÓN DE LA BOQUILLA	APLICACIONES
Boquilla amarilla de 15°	Limpieza de superficies pequeñas de metal, concreto o madera.
Boquilla verde de 25°	Limpieza de superficies más grandes de metal, concreto o madera.
Boquilla blanca de 40°	Limpieza de superficies anchas de metal, concreto madera o vinilo.
Boquilla de enjuague gris (vendida por separado)	Enjuague de vehículos. Enjuague del detergente para retirarlo de metal, concreto, madera o vinilo.
Boquilla Turbo	Limpieza de superficies duras solamente. Para prevenir daños a la superficie, no se debe utilizar en automóviles ni en superficies de madera.



## CONEXIÓN DEL CAÑÓN DE ESPUMA (Fig. 5)

El cañón de espuma se conecta directamente a la pistola.

Jale hacia atrás el anillo externo del extremo de la pistola donde está el acoplador rápido y luego instale el cañón de espuma hasta que oiga un “clic”.

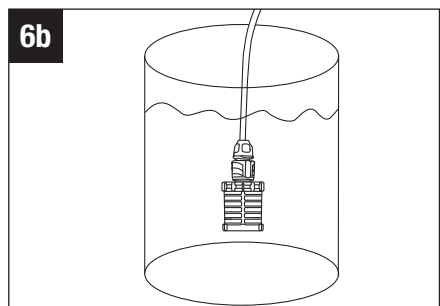
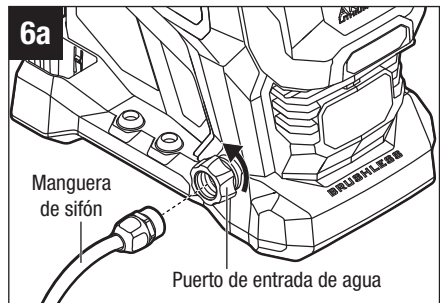
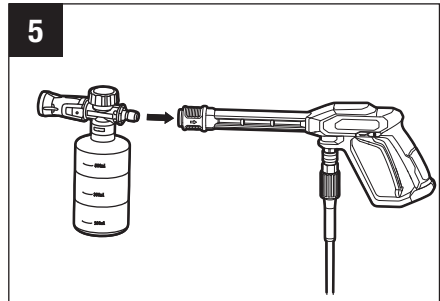
El anillo externo del acoplador rápido se moverá automáticamente hacia delante, lo cual indica que se ha establecido la conexión. Jale la boquilla del cañón de espuma para asegurarse de que esté instalada firmemente.

**Para desconectar**, jale hacia atrás el anillo externo del acoplador rápido y luego jale hacia fuera el cañón de espuma.

## CONEXIÓN DE LA MANGUERA DE SIFÓN

Cuando utilice una cubeta de agua (no suministrada) como fuente de suministro de agua, conecte la manguera de sifón a la hidrolavadora a presión.

1. Alinee el extremo roscado de la manguera de sifón con el puerto de entrada de agua y apriételes firmemente enroscando la perilla del puerto de entrada de agua (Fig. 6a).
2. Instale el filtro en el acoplador rápido de la manguera de sifón y luego sumerja el filtro y el acoplador rápido completamente en el agua (Fig. 6b).



**NOTA:** Se recomienda llenar completamente la cubeta con agua ANTES de insertar el filtro y el acoplador rápido. De esta manera, el filtro y el acoplador rápido se sumergirán adecuadamente. Es posible que floten si se insertan en la cubeta vacía antes de llenarla con agua.

## CONEXIÓN A LA MANGUERA DE JARDÍN (NO SUMINISTRADA)

Cuando utilice una llave de agua (no suministrada) como fuente de suministro de agua, conecte la hidrolavadora a presión a una manguera de jardín (no suministrada).

**IMPORTANTE:** Observe siempre todos los reglamentos locales cuando conecte mangueras a la toma principal de agua. Algunas áreas tienen restricciones contra la conexión directamente al suministro de agua potable pública, para prevenir el retroflujo de sustancias químicas al suministro de agua potable. Generalmente se permite la conexión directa a través de un tanque receptor o un inhibidor del retroflujo.

El suministro de agua debe venir de una toma principal de agua. No utilice NUNCA agua caliente o agua de piscinas, lagos, etc.

Antes de conectar la manguera de jardín a la hidrolavadora a presión:

- Haga correr agua a través de la manguera durante 30 segundos para eliminar todos los residuos de la manguera.
- Inspeccione la malla metálica ubicada en el puerto de entrada de agua. Si la malla metálica está dañada, no utilice la máquina hasta que dicha malla haya sido reemplazada. Si la malla metálica está sucia, límpiela.
- Desenrolle completamente la manguera de jardín o retírela completamente de la bobina para prevenir enredos.

**NOTA:** Debe haber suficiente longitud de manguera no restringida entre el puerto de entrada de agua y la llave de agua de la manguera o la válvula de cierre (tal como un conector de cierre en “Y”).

- Con la llave de agua de la manguera completamente cerrada, conecte el extremo de la manguera de jardín a la hidrolavadora.

## UTILIZACIÓN

**⚠ ADVERTENCIA:** No deje que la familiaridad obtenida con este producto le haga descuidarse. Recuerde que una fracción de segundo de descuido es suficiente para causar lesiones graves.

**⚠ ADVERTENCIA:** No utilice aditamentos o accesorios no recomendados por el fabricante de este producto. El uso de aditamentos o accesorios no recomendados puede causar lesiones corporales graves.

**⚠ ADVERTENCIA:** Para prevenir lesiones corporales graves, retire el paquete de batería del producto antes de hacer servicio de ajustes y reparaciones, realizar limpieza, cambiar aditamentos o retirar materia del producto.

## APLICACIÓN

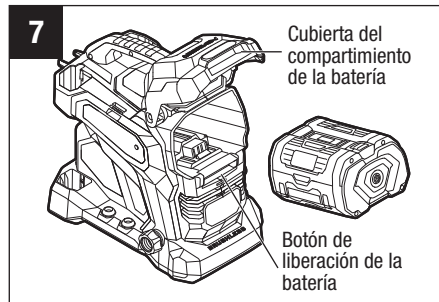
Usted puede utilizar este producto para los propósitos que se indican a continuación:

- Eliminar suciedad de automóviles, paredes, pisos, etc.

## INSTALACIÓN/DESINSTALACIÓN DEL PAQUETE DE BATERÍA (Fig. 7)

**¡Cargue el paquete de batería antes del primer uso!**

**NOTA:** Para obtener el mejor rendimiento posible, recomendamos enfáticamente utilizar un paquete de batería completamente cargado.



1. La cubierta del compartimento de la batería está embisagrada. Suba la cubierta levantando la parte delantera de la misma.
2. Alinee los surcos ubicados en el paquete de batería con las costillas en relieve ubicadas en el compartimento de la batería y luego inserte el paquete de batería en el compartimento.
3. Empuje el paquete de batería hasta que oiga un “clic”. El botón de liberación de la batería subirá por resorte cuando el paquete de batería esté firmemente sujeto.

**AVISO:** Asegúrese de que el pestillo ubicado en el compartimiento de la batería se acople a presión en la posición correcta y que el paquete de batería esté firmemente sujeto a la unidad antes de comenzar su utilización.

4. **Para desinstalar el paquete de batería**, jale hacia arriba el botón de liberación de la batería para liberar el paquete de batería y luego levántelo hacia fuera del compartimiento.
5. Cierre la cubierta del compartimiento de la batería.

**⚠ ADVERTENCIA:** Retire siempre el paquete de batería cuando la hidrolavadora a presión no se esté utilizando.

## **ARRANQUE/PARADA DE LA HIDROLAVADORA A PRESIÓN (Fig. 8)**

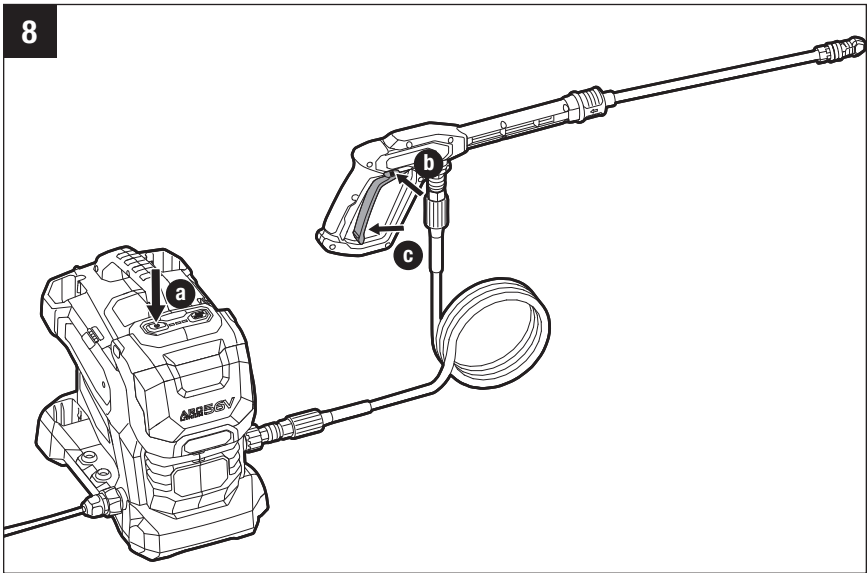
### **Para arrancar la hidrolavadora a presión**

**AVISO:** No arranque la hidrolavadora a presión sin el suministro de agua conectado y abierto. Es posible que esto dañe los sellos de alta presión y reduzca la vida útil de la bomba.

1. Asegúrese de que la manguera de sifón, la manguera de alta presión, la pistola y la boquilla estén conectadas correctamente.
2. Conecte el tubo extensor, el cañón de espuma y el filtro de acuerdo con las necesidades que usted tenga.
3. Escoja una de las cuatro maneras de suministro de agua que se indican a continuación:
  - Cuando utilice una manguera de jardín (no suministrada), conecte la hidrolavadora a presión a la manguera de jardín y luego abra la llave de agua.
  - Cuando utilice una cubeta de agua, conecte el filtro a la manguera de sifón y luego sumerja el filtro y la junta del acoplador rápido completamente en la cubeta de agua.
4. Instale el paquete de batería en la hidrolavadora a presión.
5. Presione el botón de alimentación para encender la hidrolavadora a presión.

**NOTA:** Cuando la hidrolavadora a presión esté encendida, pero no haya acciones adicionales, la hidrolavadora se apagará automáticamente después de 5 minutos en espera. Durante los primeros minutos de espera, el indicador de velocidad ubicado en la hidrolavadora a presión hará parpadear tres luces verdes, lo cual indica que no está fluyendo agua hacia el interior de la manguera de sifón.

6. Agarre la pistola con las dos manos, presione el lado de desbloqueo del botón de fijación en apagado y luego apriete el gatillo hasta que se produzca un flujo de agua constante.
7. Comience a rociar para lavar.



**NOTA:** Es posible que tome algo de tiempo para que el agua viaje desde la fuente de suministro de agua y salga por la boquilla como un chorro de rociado constante. Para lograr rápidamente un flujo de agua constante, puede que usted quiera:

- a. Retirar la boquilla.
- b. Presionar el gatillo y esperar hasta que un chorro de agua constante comience a salir del tubo extensor.
- c. Soltar el gatillo y reinstalar la boquilla.

**⚠ ADVERTENCIA:** Las llantas y/o las válvulas de llanta de automóvil solo se podrán limpiar desde una distancia mínima de 11-3/4 pulgadas (30 cm) para evitar daños causados por el chorro de alta presión. La primera indicación de daños es la descoloración de la llanta. Las llantas o las válvulas de llanta de automóvil dañadas presentan un riesgo de lesiones.

## Para detener la hidrolavadora a presión

1. Una vez que se haya completado el lavado, suelte el gatillo y presione el botón de fijación en apagado hasta la posición de bloqueo.
2. Presione el botón de alimentación para apagar la hidrolavadora a presión.
3. Cierre la llave de agua o retire la manguera de sifón de la cubeta de agua.
4. Presione el botón de fijación en apagado de la pistola hasta la posición de desbloqueo y apriete el gatillo para vaciar las mangueras de agua.

**AVISO:** La pistola, las mangueras, los tubos extensores o el cañón de espuma no se deberán desconectar mientras quede agua en las mangueras.

5. Desconecte y retire la pistola, las mangueras, el tubo extensor, las boquillas o el cañón de espuma.
6. Presione el botón de alimentación para encender la hidrolavadora a presión con el fin de vaciarla de agua.
7. Presione de nuevo el botón de alimentación para apagar la hidrolavadora a presión.
8. Retire el paquete de batería.

## SELECCIÓN DE LA VELOCIDAD

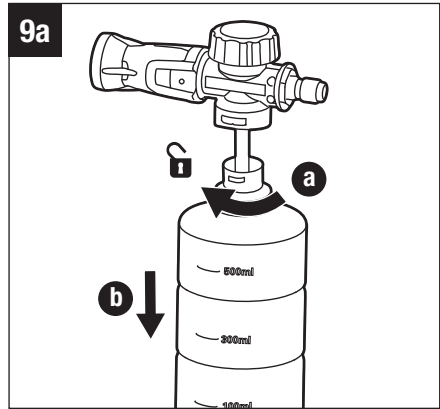
- La velocidad de la hidrolavadora a presión se puede ajustar por medio del botón de velocidad ubicado en la hidrolavadora.
- La velocidad de la hidrolavadora a presión se puede ajustar cuando la hidrolavadora esté encendida o durante el rociado.
- Cada vez que se presione el botón de velocidad, la velocidad alternará entre nivel bajo, nivel alto y nivel TURBO. El indicador de velocidad mostrará una luz verde, dos luces verdes o tres luces verdes para indicar que la hidrolavadora a presión está funcionando a velocidad baja, velocidad alta o velocidad TURBO, respectivamente.

**AVISO:** Si la hidrolavadora a presión se mantiene en funcionamiento a la velocidad TURBO, es posible que el tiempo de funcionamiento por carga resulte afectado.

## LIMPIEZA CON DETERGENTE

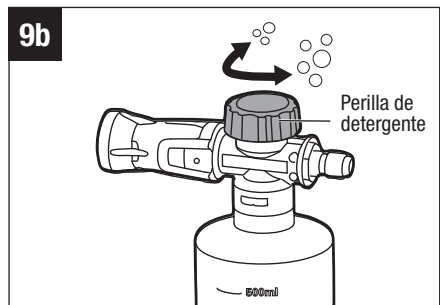
**⚠ ADVERTENCIA:** Utilice solo detergentes hechos específicamente para utilizarse con hidrolavadoras a presión. Cumpla con las instrucciones de aplicación, eliminación y seguridad del fabricante del detergente.

1. Gire la botella del cañón de espuma en sentido contrario al de las agujas del reloj y retírela (Fig. 9a).
2. Vierta detergente en la botella.



**AVISO:** La temperatura del detergente no deberá exceder 140 °F (60 °C).

3. Reinstale el cañón de espuma y conéctelo al acoplador rápido de la pistola.
4. Rote la perilla de detergente para ajustar la cantidad de detergente añadida al flujo de agua de acuerdo con sus necesidades (Fig. 9b).



5. Abra la llave de agua o sumerja el filtro de la manguera de sifón y la junta del acoplador rápido completamente en la cubeta de agua, arranque la hidrolavadora a presión y rocíe el detergente sobre una superficie seca utilizando pasadas largas, uniformes y que se traslapen. Para prevenir la formación de franjas, no deje que el detergente se seque en la superficie.

**NOTA:** Se recomienda seleccionar una velocidad baja para realizar una limpieza suave.

## MANTENIMIENTO

**⚠ ADVERTENCIA:** Para prevenir lesiones corporales graves, retire el paquete de batería del producto antes de hacer servicio de ajustes y reparaciones, realizar limpieza, cambiar aditamentos o retirar material de la unidad.

**⚠ ADVERTENCIA:** Cuando haga servicio de ajustes y reparaciones, utilice solo piezas de repuesto idénticas. Es posible que el uso de cualquier pieza que no cumpla con las especificaciones del equipo original cree un peligro o cause daños al producto. Para garantizar la seguridad y confiabilidad, todas las reparaciones deberán ser realizadas por un técnico de servicio calificado.

**AVISO:** Inspeccione periódicamente todo el producto para determinar si hay piezas dañadas, si faltan piezas o si hay piezas flojas, tales como tornillos, tuercas, pernos, tapas, etc. Apriete firmemente todos los sujetadores y todas las tapas, y no utilice este producto hasta que todas las piezas que falten o estén dañadas hayan sido reemplazadas.

### MANTENIMIENTO GENERAL

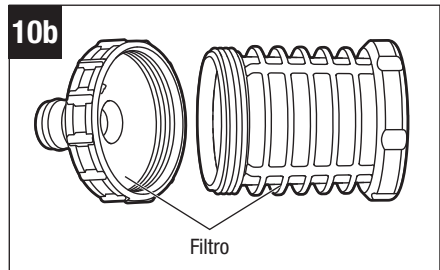
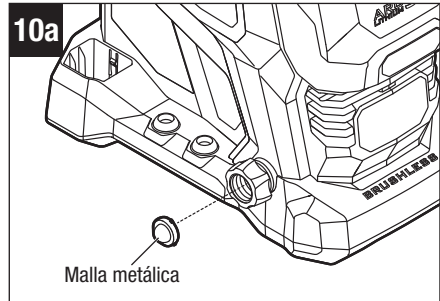
Evite utilizar solventes cuando limpie piezas de plástico. La mayoría de los plásticos son susceptibles de sufrir daños causados por diversos tipos de solventes comerciales y es posible que resulten dañados por su uso. Use un paño limpio para retirar la suciedad, el polvo, el aceite, la grasa, etc.

**⚠ ADVERTENCIA:** No deje en ningún momento que líquidos de freno, gasolina, productos a base de petróleo, aceites penetrantes, etc., entren en contacto con las piezas de plástico. Las sustancias químicas pueden dañar, debilitar o destruir el plástico, lo cual es posible que cause lesiones corporales graves.



## LIMPIEZA DE LOS FILTROS

- Saque la malla metálica del puerto de entrada de agua, enjuague dicha malla o reemplácela si es necesario (Fig. 10a).
- Cuando utilice una cubeta de agua como fuente de suministro de agua para la hidrolavadora a presión, compruebe y limpie periódicamente el filtro. Retire el filtro del acoplador rápido de la manguera de sifón, desenrosque el filtro y luego enjuáguelo minuciosamente (Fig. 10b).



## LIMPIEZA DE LAS BOQUILLAS (Fig. 11)

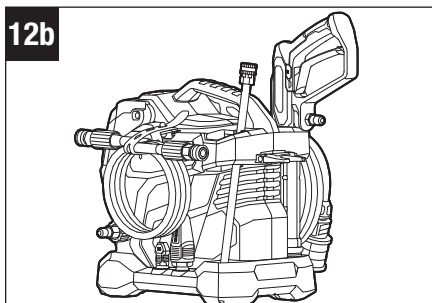
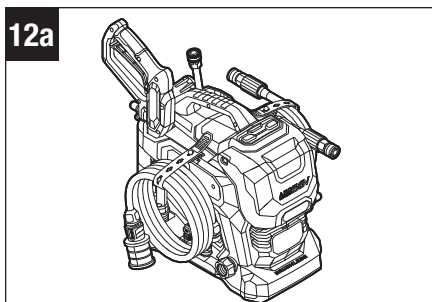
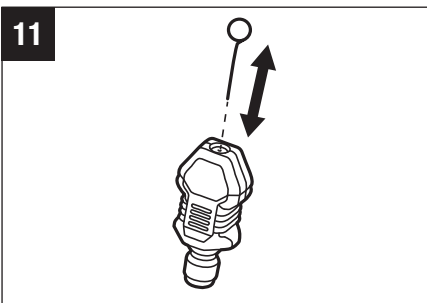
Cuando los agujeros de las boquillas estén bloqueados, usted podrá utilizar la aguja de limpieza de boquillas suministrada para pasar a través de los agujeros y eliminar el bloqueo.

## TRANSPORTE Y ALMACENAMIENTO

**⚠ ADVERTENCIA:** Durante el transporte o almacenamiento, proteja la hidrolavadora contra los impactos. Compruebe la hidrolavadora y asegúrese de que no esté dañada antes de utilizarla. Para mantener la seguridad y la confiabilidad, sírvase contactar a servicio al cliente de EGO para asegurarse de que todas las reparaciones sean realizadas por un técnico de servicio calificado.

### Almacenamiento de la hidrolavadora a presión (Fig. 12a y Fig. 12b)

1. Detenga la hidrolavadora a presión, reduzca la presión, vacíela de agua y retire el paquete de batería de la hidrolavadora a presión siguiendo las instrucciones de la sección “**Para detener la hidrolavadora a presión**”.
2. Almacene las boquillas en el área de almacenamiento de las boquillas de la hidrolavadora a presión.
3. Almacene la pistola y el tubo extensor en los soportes de sujeción.
4. Enrole la manguera de alta presión y la manguera de sifón, y almacénelas y fíjelas en la hidrolavadora utilizando las correas de soporte de las mangueras.
5. Limpie minuciosamente la hidrolavadora a presión antes de almacenarla.



6. Almacene la hidrolavadora a presión en un área seca y bien ventilada, cerrada con llave o elevada, fuera del alcance de los niños. No almacene la hidrolavadora a presión sobre o adyacente a fertilizantes, gasolina u otras sustancias químicas.

## **PREPARACIÓN DE LA HIDROLAVADORA A PRESIÓN PARA EL INVIERNO**

La preparación para el invierno de una hidrolavadora a presión es esencial para protegerla contra las temperaturas heladas, las cuales pueden causar daños a la bomba, las mangueras y otros componentes.

1. **Apague la hidrolavadora a presión.** Asegúrese de que la hidrolavadora a presión esté apagada y que los paquetes de batería se hayan retirado.
2. **Elimine la presión.** Apriete el gatillo de la pistola para para eliminar toda la presión que quede en el sistema. Esto podría prevenir la acumulación de presión durante el proceso de preparación para el invierno.
3. **Desconecte las mangueras y los accesorios.** Retire todas las mangueras, la pistola y otros accesorios de la hidrolavadora a presión. Drene toda el agua de las mangueras sosteniéndolas en posición vertical para permitir que el agua salga de ellas.
4. **Conecte un protector para bombas de hidrolavadora a presión (vendido por separado) al puerto de entrada de agua para realizar tratamiento.**
5. **Utilice un protector para bombas de hidrolavadora a presión y dispense el líquido.** Una vez que el líquido salga por el puerto de salida de agua, la lavadora a presión estará protegida y preparada para el invierno.

## RESOLUCIÓN DE PROBLEMAS

PROBLEMA	CAUSA	SOLUCIÓN
La hidrolavadora a presión no se enciende.	<ul style="list-style-type: none"><li>■ La carga del paquete de batería está baja.</li><li>■ El paquete de batería no está instalado correctamente.</li></ul>	<ul style="list-style-type: none"><li>■ Cargue el paquete de batería.</li><li>■ Deslice el paquete de batería hacia el interior del compartimiento de la batería hasta que se acople a presión en la posición correcta.</li></ul>
La bomba de la hidrolavadora a presión deja de funcionar y el indicador de velocidad ubicado en la hidrolavadora hace parpadear tres luces verdes.	<ul style="list-style-type: none"><li>■ La hidrolavadora a presión o el paquete de batería está caliente.</li><li>■ No fluye agua hacia el interior de la manguera de sifón.</li><li>■ La carga del paquete de batería está baja.</li><li>■ Otra falla (otras fallas) del sistema electrónico.</li></ul>	<ul style="list-style-type: none"><li>■ Espere hasta que la hidrolavadora a presión o el paquete de batería regrese a la temperatura de funcionamiento recomendada y luego rearranque la hidrolavadora.</li><li>■ Compruebe y asegúrese de que el agua esté fluyendo adecuadamente hacia el interior de la manguera de sifón.</li><li>■ Cargue el paquete de batería.</li><li>■ Contacte a servicio al cliente de EGO.</li></ul>

PROBLEMA	CAUSA	SOLUCIÓN
<p>El flujo de agua es bajo durante el rociado.</p>	<ul style="list-style-type: none"><li>■ El filtro está parcialmente bloqueado.</li><li>■ La malla metálica ubicada en el puerto de entrada de agua está parcialmente bloqueada.</li><li>■ El filtro y la junta del acoplador rápido de la manguera de sifón no están completamente sumergidos en agua.</li><li>■ La manguera de sifón está plegada.</li><li>■ El agua está sucia.</li><li>■ La manguera de alta presión está bloqueada.</li></ul>	<ul style="list-style-type: none"><li>■ Limpie el filtro.</li><li>■ Retire y limpie la malla metálica.</li><li>■ Sumerja completamente el filtro y la junta del acoplador rápido en agua.</li><li>■ Despliegue la manguera de sifón o reemplácela.</li><li>■ Utilice solo agua limpia.</li><li>■ Retire la boquilla y comience a rociar agua con la manguera para eliminar el bloqueo de la manguera.</li></ul>

PROBLEMA	CAUSA	SOLUCIÓN
<p>No sale agua al rociar.</p>	<ul style="list-style-type: none"> <li>■ No hay suministro de agua.</li> <li>■ El filtro está completamente bloqueado.</li> <li>■ La malla metálica ubicada en el puerto de entrada de agua está completamente bloqueada.</li> <li>■ Falta la malla metálica en el puerto de entrada de agua.</li> <li>■ La boquilla está bloqueada.</li> <li>■ La bomba, las mangueras u otros componentes están congelados.</li> </ul>	<ul style="list-style-type: none"> <li>■ Compruebe la hidrolavadora y asegúrese de que esté conectada adecuadamente al suministro de agua.</li> <li>■ Limpie el filtro.</li> <li>■ Retire y limpie la malla metálica.</li> <li>■ Compruebe la malla metálica y asegúrese de que esté instalada correctamente en el puerto de entrada de agua (vea la Fig. 15a).</li> <li>■ Utilice la aguja de limpieza de boquillas para pasar a través de los agujeros.</li> <li>■ Espere hasta que se descongelen.</li> </ul>
<p>El flujo de agua no es estable.</p>	<ul style="list-style-type: none"> <li>■ Fluye aire al interior de la hidrolavadora.</li> <li>■ Los sellos de la bomba están desgastados.</li> </ul>	<ul style="list-style-type: none"> <li>■ Compruebe la manguera de sifón y asegúrese de que esté conectada adecuadamente.</li> <li>■ Contacte a servicio al cliente de EGO.</li> </ul>

PROBLEMA	CAUSA	SOLUCIÓN
<p>El rociado de agua se inicia o se detiene automáticamente</p>	<ul style="list-style-type: none"> <li>■ La boquilla está bloqueada.</li> <li>■ La manguera de alta presión está dañada.</li> <li>■ Hay una fuga de agua en la pistola.</li> <li>■ Los sellos de la bomba y los sellos de la manguera están desgastados.</li> </ul>	<ul style="list-style-type: none"> <li>■ Utilice la aguja de limpieza de boquillas para pasar a través de los agujeros.</li> <li>■ Reemplácela por una manguera de alta presión nueva.</li> <li>■ Contacte a servicio al cliente de EGO.</li> </ul>
<p>El rociado de agua no tiene formato espiral cuando se utiliza la boquilla Turbo.</p>	<ul style="list-style-type: none"> <li>■ La boquilla Turbo está parcialmente bloqueada.</li> </ul>	<ul style="list-style-type: none"> <li>■ Presione y suelte el gatillo de la pistola para iniciar y detener el rociado unas cuantas veces. Si el problema no se resuelve, contacte a servicio al cliente de EGO.</li> </ul>



# GARANTÍA LIMITADA DE EGO

## TÉRMINOS Y DURACIÓN DE LA PÓLIZA DE GARANTÍA

Chervon North America, Inc. ("Chervon North America"), proporciona la siguiente Garantía Limitada para los productos EGO al comprador original de productos EGO.

El período de garantía detallado de cada producto EGO se puede encontrar en línea en <http://egopowerplus.com/warranty-policy>.

**Sírvase contactar a Servicio al Cliente de EGO llamando gratis al 1-855-EGO-5656** en cualquier momento en que tenga preguntas o reclamos de garantía.

## GARANTÍA LIMITADA DE SERVICIO

Los productos EGO están garantizados contra defectos de material o de fabricación a partir de la fecha de compra minorista original durante el período de garantía aplicable. Para cualquier reclamo de garantía presentado de manera adecuada y oportuna, si Chervon North America determina que un producto presenta algún defecto durante el período de garantía, dicho producto recibirá una reparación o un remplazo gratuitos, según lo determine Chervon North America.

## CÓMO OBTENER SERVICIO

Para obtener servicio de garantía, dentro del período de garantía aplicable, sírvase contactar a servicio al cliente de EGO llamando gratis al **1-855-EGO-5656**. Cuando solicite servicio de garantía, deberá presentar el recibo de venta fechado original. Se seleccionará un centro de servicio autorizado para evaluar y reparar el producto si el mismo presenta algún defecto de acuerdo con los términos establecidos en la garantía. Cuando lleve su producto al centro de servicio autorizado, es posible que se requiera un pequeño depósito cuando deje allí su herramienta. Este depósito es reembolsable cuando se considere que el servicio de reparaciones esté cubierto bajo garantía. El comprador es responsable del transporte de cualquier equipo o aditamento de energía para exteriores a sus expensas.



## LIMITACIONES Y EXCLUSIONES ADICIONALES

Esta garantía limitada se aplica solo al comprador original que realice la compra a un minorista EGO autorizado y no es transferible. Los productos EGO no serán considerados defectuosos, y esta garantía no se aplicará, en los casos en que el defecto por el que se presente el reclamo sea atribuible a cualquier causa que no sean los defectos definidos anteriormente en este documento. Esta garantía quedará anulada si el producto se ha utilizado para fines de alquiler. Esta garantía no se aplicará a daños causados por accidente, abuso, uso incorrecto, alteración, modificación, reparación no autorizada, contacto con líquidos, incendio, terremoto u otra causa externa; utilización del producto sin seguir las instrucciones, especificaciones o pautas de EGO; o no hacer servicio de ajustes y reparaciones o no mantener adecuadamente el producto. Esta garantía tampoco se aplica a los daños cosméticos, incluyendo, pero sin limitarse a ello, rasguñaduras o abolladuras; defectos causados por el desgaste por el uso normal o defectos que de alguna otra manera se deban al envejecimiento normal del producto.

ESTA GARANTÍA EXPRESA SE DA EN LUGAR DE TODAS LAS DEMÁS GARANTÍAS, EXPRESAS O IMPLÍCITAS, INCLUYENDO, PERO SIN LIMITARSE A ELLO, TODAS LAS GARANTÍAS DE COMERCIABILIDAD O IDONEIDAD PARA UN PROPÓSITO O USO ESPECÍFICO, LAS CUALES QUEDAN EXCLUIDAS. Todas las garantías implícitas, incluyendo las garantías de comerciabilidad o idoneidad para un propósito específico, que no se puedan excluir bajo la ley estatal, están limitadas al período de garantía aplicable definido al comienzo de este artículo. El remedio único y exclusivo en conexión con la compra, instalación, uso y/o rendimiento de los productos EGO es la reparación o el reemplazo del producto tal y como lo determine Chervon North America. La responsabilidad máxima de North America no excederá en ningún caso el precio de compra pagado por el producto. CHERVON NORTH AMERICA NO SERÁ RESPONSABLE ANTE EL USUARIO NI ANTE NADIE MÁS POR DAÑOS EMERGENTES, INCIDENTALES, ESPECIALES, EJEMPLARES, INDIRECTOS O PUNITIVOS QUE SURJAN DEL USO DE LOS PRODUCTOS, INCLUYENDO, PERO SIN LIMITARSE A ELLO, LESIONES CORPORALES, MUERTE, DAÑOS MATERIALES, GANANCIAS PERDIDAS U OTROS PERJUICIOS ECONÓMICOS. Esta garantía le confiere a usted derechos legales específicos y es posible que usted tenga también otros derechos que varían de un estado a otro. Algunos estados no permiten limitaciones en cuanto a la duración de una garantía implícita, la exclusión o limitación de los daños incidentales o emergentes, o las limitaciones al tiempo para emprender ciertas acciones legales, por lo que las limitaciones contenidas en el presente documento no se aplican a los consumidores individuales de esos estados.



Esta garantía está sujeta a la ley de Michigan y se interpretará de acuerdo con dicha ley, con independencia de los principios sobre conflictos de leyes. No se emprenderá ninguna acción legal contra Chervon North America a menos que se presente dentro del plazo de un (1) año después de que se tenga conocimiento de la base de dicha acción legal o de la cual se debiera haber tenido conocimiento con el ejercicio de una diligencia razonable. Se considerará que se ha renunciado a cualquier acción legal que no se presente oportunamente.

Para obtener servicio al cliente, contáctenos llamando gratis al **1-855-EGO-5656** o en **EGOPOWERPLUS.COM**.

EGO Customer Service,  
769 Seward Ave. NW, Suite 102,  
Grand Rapids, Michigan 49504.



